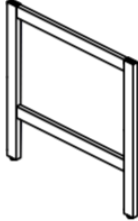

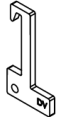







| Date | Page No. | Description of change | Name |
|------------|----------|-----------------------|-----------|
| 02/15/2022 | 1-8 | Released | S. Powers |

Universal A-Leg Installation Instructions

Parts List

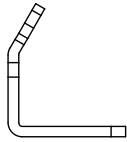
| Item | Replacement Part number | Circle Sheet Part Number | Description | Image |
|------|-------------------------|--------------------------|-------------------------------------|---|
| P1 | C-SAL2712PM | C-SAL2712PM | A-Leg 27H x 12W |  |
| | C-SAL2724PM | C-SAL2724PM | A-Leg 27H x 24W | |
| | C-SAL2730PM | C-SAL2730PM | A-Leg 27H x 30W | |
| P2 | WFS-HMOLBR | RWFS-HMOLBR | AO2 Locking Bracket Left / Right |  |
| | WFS-DVOLB | RWFS-DVOLB | Divi Locking Bracket |  |
| | WFS-MXOLB | RWFS-MXOLB | Matrix Locking Bracket |  |
| | WFS-MWOLB | RWFS-MWOLB | Mwall Locking Bracket |  |
| P3 | WFS-ALSWFP | RWFS-ALSWFP | Top Plate |  |
| P4 | RH-MS100-142034 | RH-MS100-142034 | 1/4-20 X 3/4" Flat Head Screw |  |
| P5 | RH-QS0978 | RH-QS0978 | #9 X 7/8" long Flat Head Wood Screw |  |

Universal A-Leg Installation Instructions

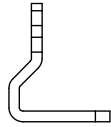
Step 1:

Position the A-leg assembly into the slots on the hanger frame.

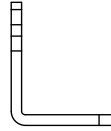
Note: Divi system is shown as an example, but all systems have similar panel attachment brackets.



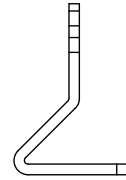
AO2



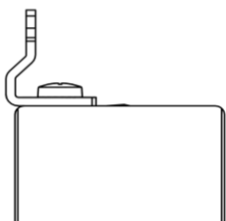
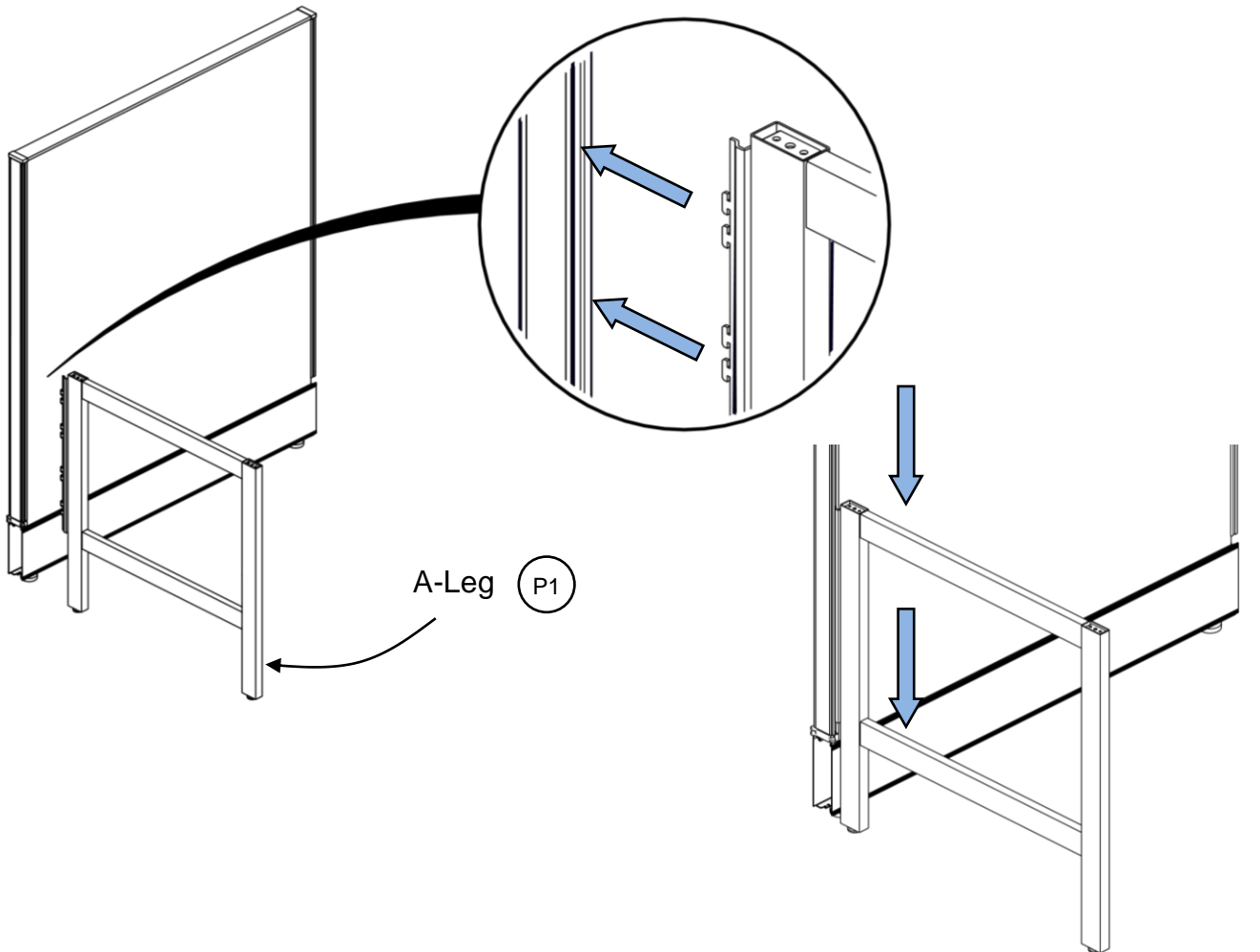
Divi



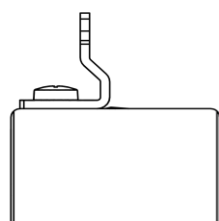
Matrix



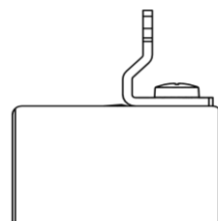
Mwall



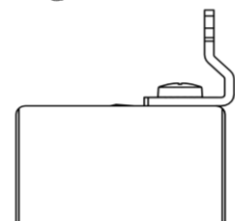
Left End



Shared Left



Shared Right

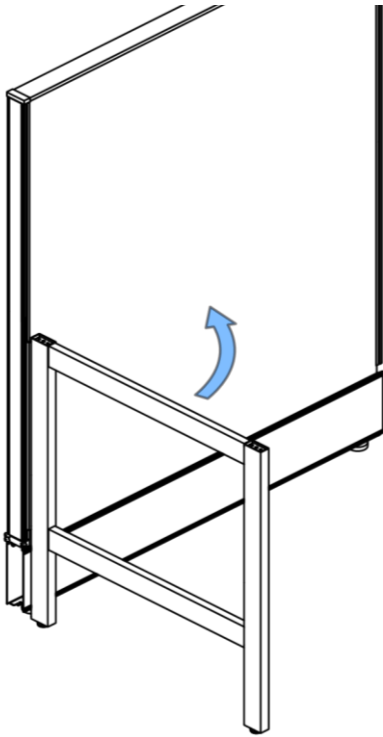


Right End

Universal A-Leg Installation Instructions

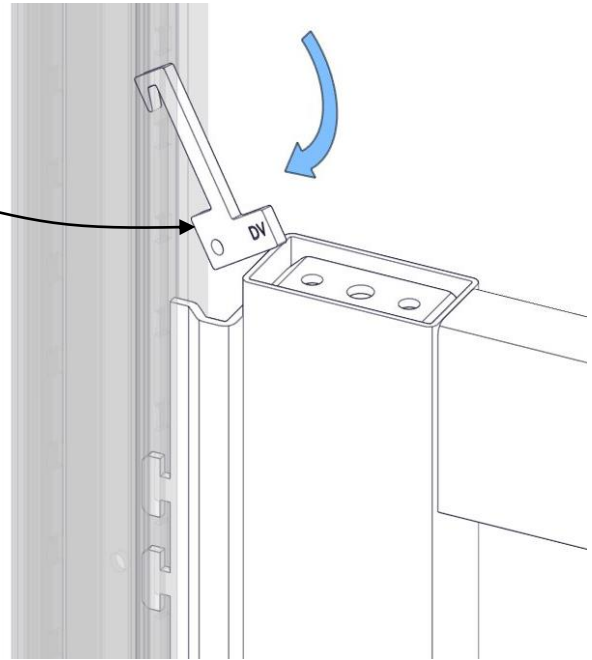
Step 2:

Install the locking bracket into the hanger frame slots to secure the A-leg in place.

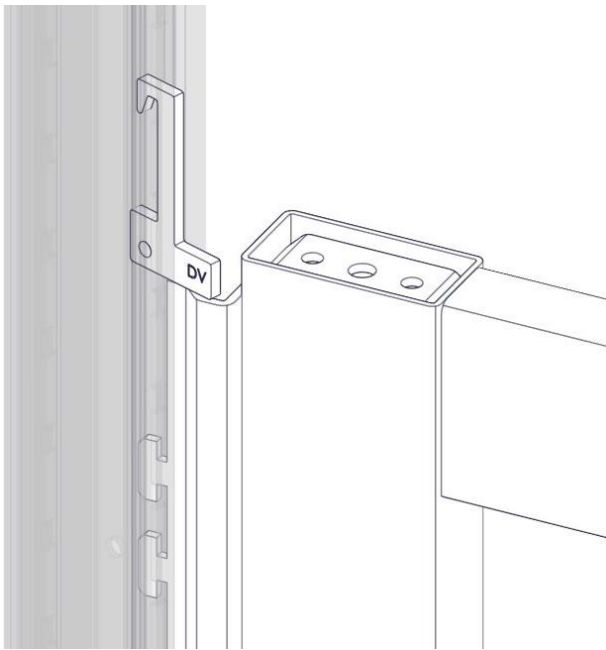


3a: Rotate the A-leg assembly to access the slots in the hanger frame

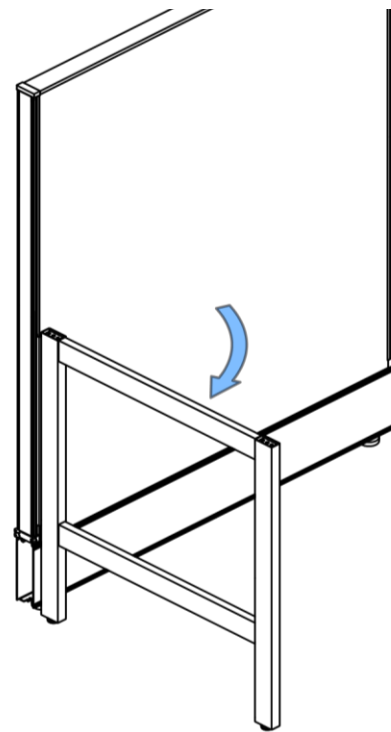
(P2)
Locking Bracket



3b: Hook the Locking Clip into the hanger frame slot and rotate down.



3c: Make sure the locking clip is properly seated as shown and the A-leg is secured to hanger frame.

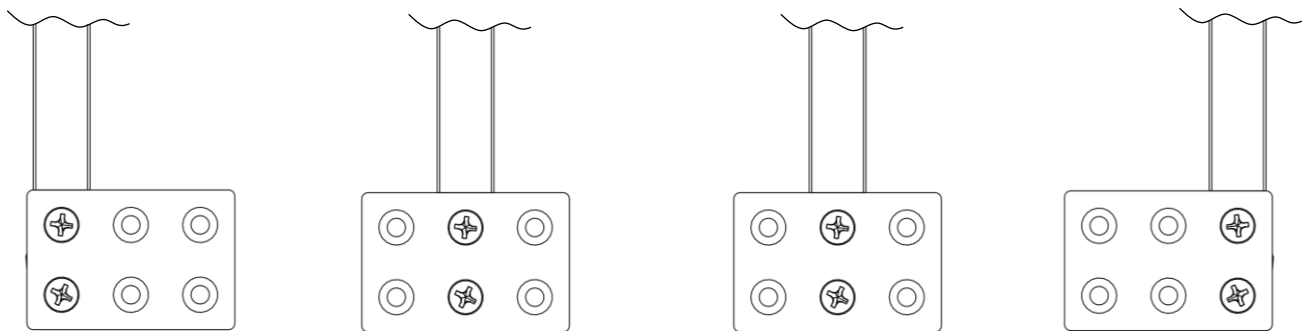
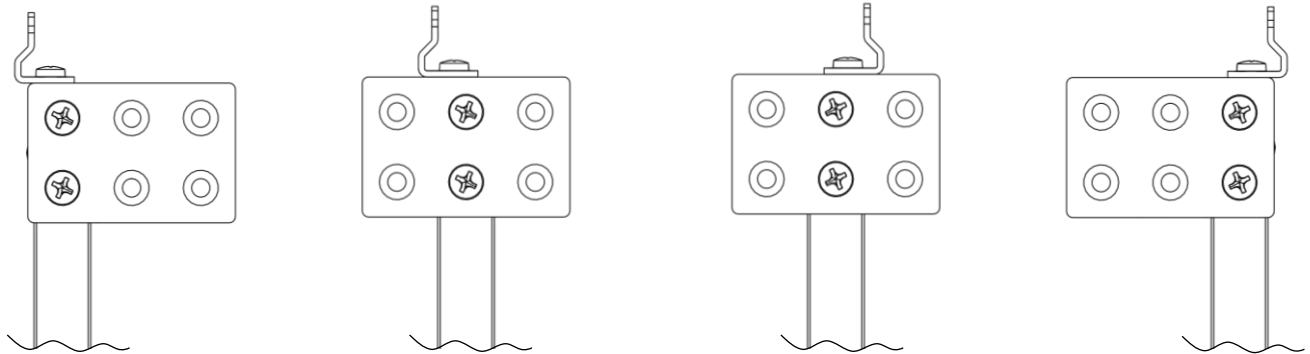
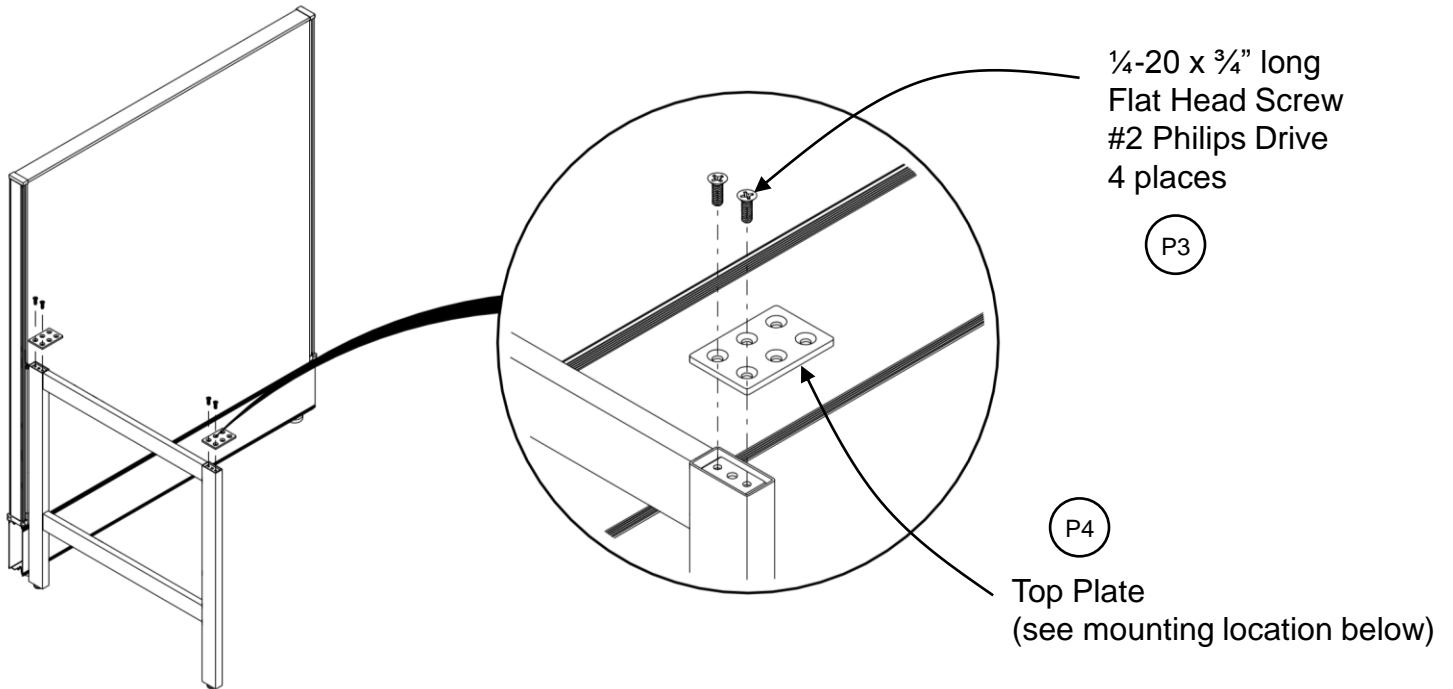


3d: Reposition the A-leg

Universal A-Leg Installation Instructions

Step 3:

Attach the top plates to the A-leg assembly using 1/4-20 x 3/4" screws.



Left End

Shared Left

Shared Right

Right End

Universal A-Leg Installation Instructions

Step 4:

Secure the worksurface to the A-leg assembly.

