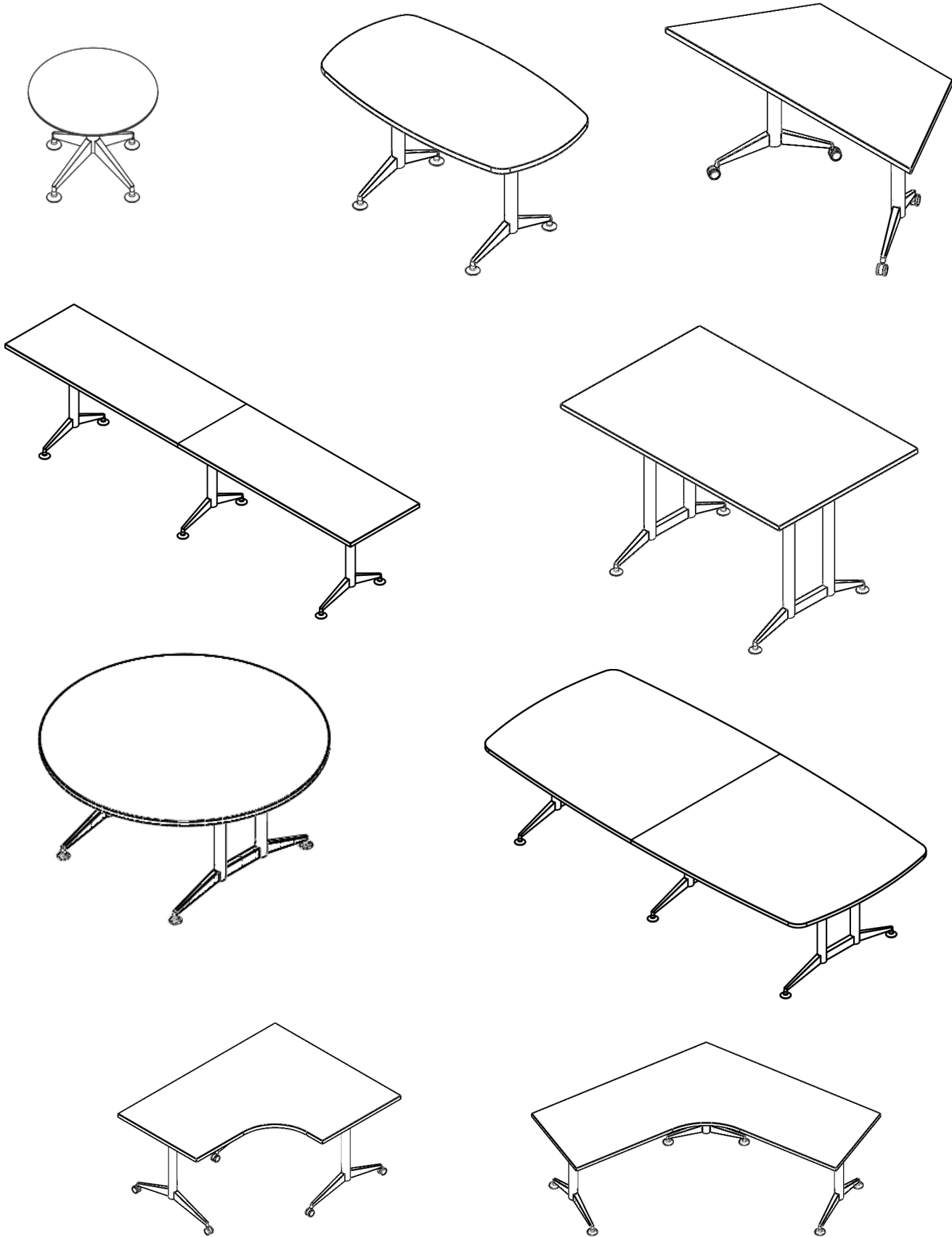


# Day to Day Tables – Aluminum Base



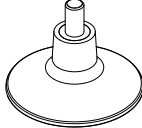

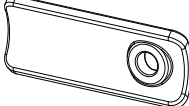
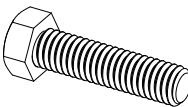
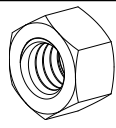
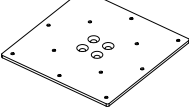
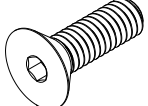
# Day to Day Tables – Aluminum Base

## Revision Log

Date	Page No.	Description of change	Name
6/25/2018	1-6	Released	S. Powers
12/12/18	7	Added AIS Power Unit instructions	S. Powers
4/13/2020	2-3,7,9	Pg 2-3: Added parts list, Pg 7: New Charts, Pg 9: Updated part numbers to match labels.	S. Powers
9/26/2025	10-12	Updated Power Units	S. Powers

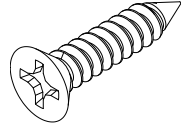
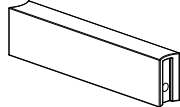
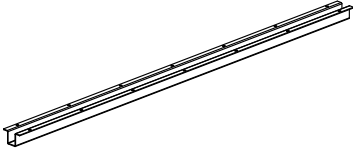
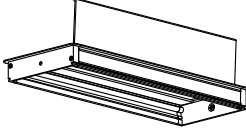
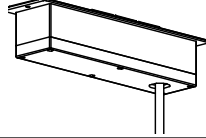
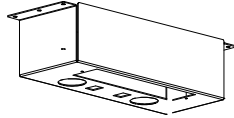



# Day to Day Tables – Aluminum Base

## Parts List

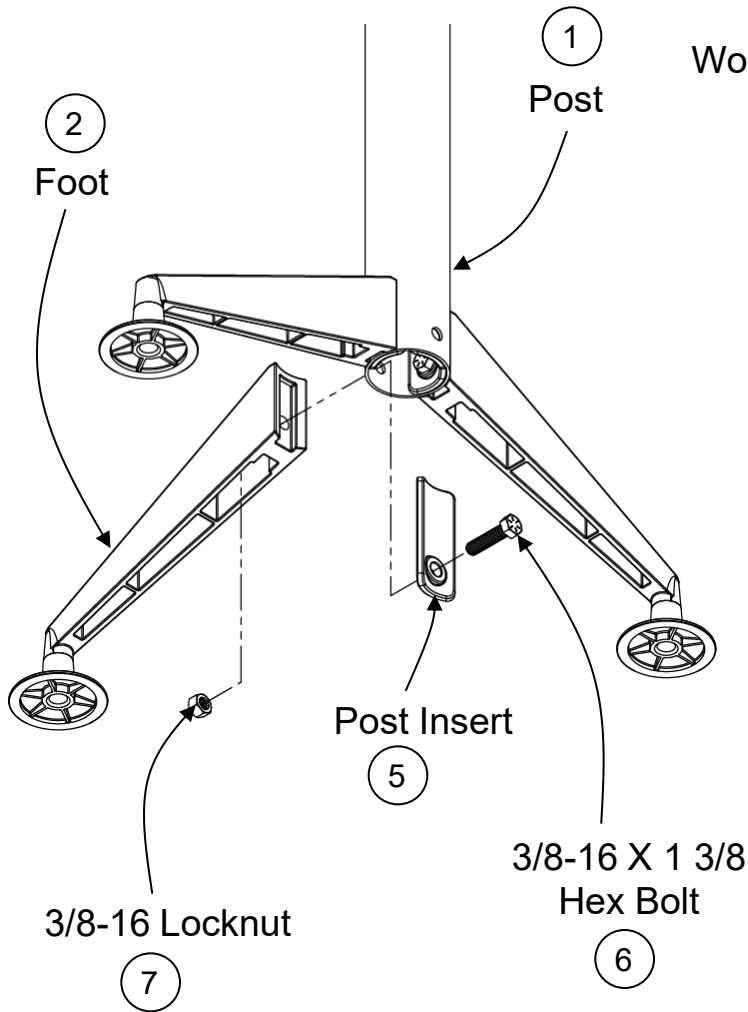
Item	Replacement Part number	Circle Sheet Part Number	Description	Image
1	WFS-(xx)(y)(z)W xx = 16,29 or 42 y = GP or CP z = 2, 3 or 4	WFS-(xx)(y)(z)W xx = 16,29 or 42 y = GP or CP z = 2, 3 or 4	Aluminum Post Leg 16H, 29H or 42H Glide or Caster 2, 3 or 4 way	
2	WFS-UTLxxBP (Bright Polished) or WFS-UTLxx (Painted) xx= 24 or 30	WFS-UTLxxBP (Bright Polished) or RWFS-UTLxx-B (Painted) xx= 24 or 30	Aluminum Table Foot 24D or 30D	
3	WFS-UTG	RWFS-UTG-I	Universal Table Glide	
4	T-C1CASTER	RWFS-UTC-I	Universal Table Caster 50mm	
5	WFS-UTPI	RWFS—UTPI-I	Universal Table Post Insert	
6	RH-92240A627-I	RH-92240A627-I	Hex Bolt 3/8-16 x 1 3/8" long	
7	RH-91831A127-I	RH-91831A127-I	Locknut 3/8-16	
8	RWFS-UTP	RWFS-UTP	Universal Table Top Plate	
9	RH-SHF51618-1	RH-SHF51618-1	Flat Head Hex Drive Screw 5/16-18 x 1" long	

# Day to Day Tables – Aluminum Base

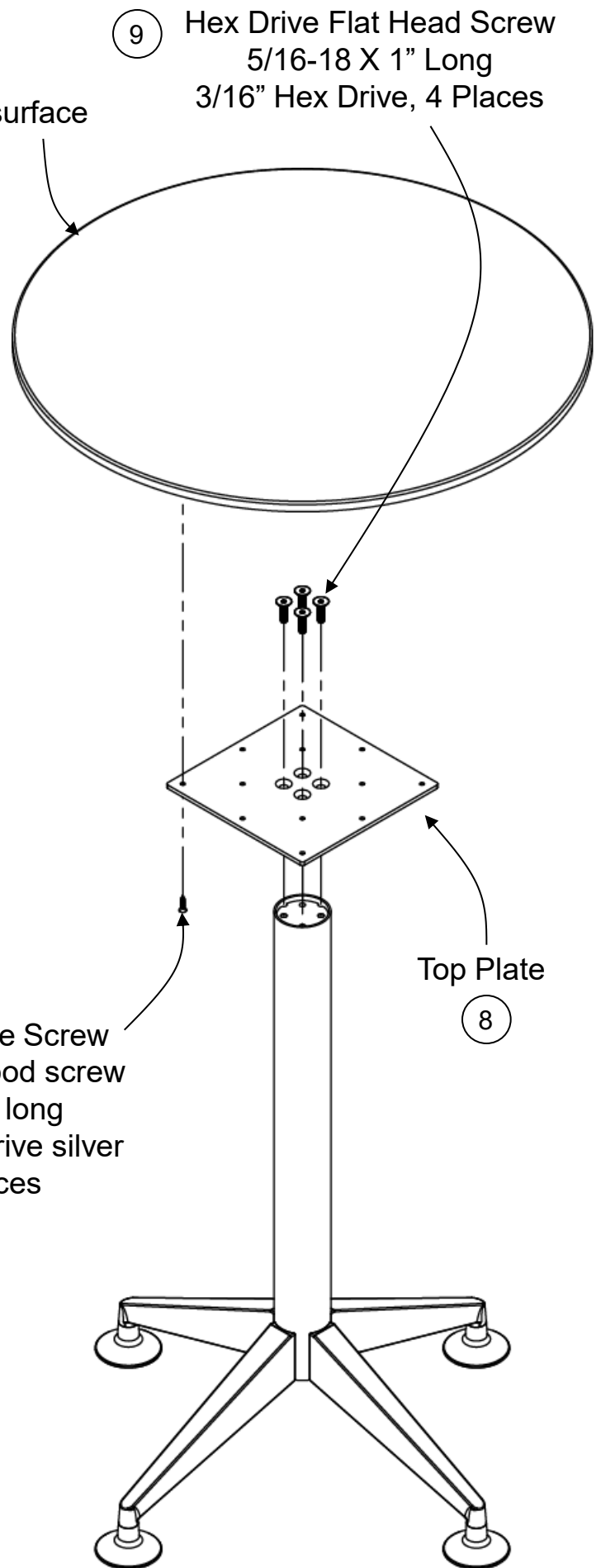
## Parts List Cont.

Item	Replacement Part number	Circle Sheet Part Number	Description	Image
10	RH-QS0978	RH-QS0978	Flat Head Wood Screw #9 x 7/8" long	
11	WFS-UTLSB (Painted) or WFS-UTLSBBP (Bright Polished)	WFS-UTLSB (Painted) or WFS-UTLSBBP (Bright Polished)	Universal Table Leg Support Beam	
12	T-UCKxx xx= 36-72 (increments of 6")	RWPS-HSxx xx= 36-72 (increments of 6")	Worksurface Stiffener (U-Channel)	
13	RP-XH04B (Black) RP-XH04MS (Metallic Silver)	RP-XH04B (Black) RP-XH04MS (Metallic Silver)	Power cover	
14	E-TVSP3802-F	E-TVSP3802-F	Power Unit	
15	RE-TAISB	RE-TAISB	Power Box	
16	RH-5269T622	RH-5269T622	Grommet	
17	E-HRJ45-SM E-HXJ6BK-SM HDMI-KEY-B	E-HRJ45-SM E-HXJ6BK-SM HDMI-KEY-B	CAT 5e Data Jack CAT 6 Data Jack HDMI Data Jack	
18	RH-90033A153	RH-90033A153	#6 X 5/8" Flat Head Sheet Metal Screw	

# Day to Day Tables – Aluminum Base

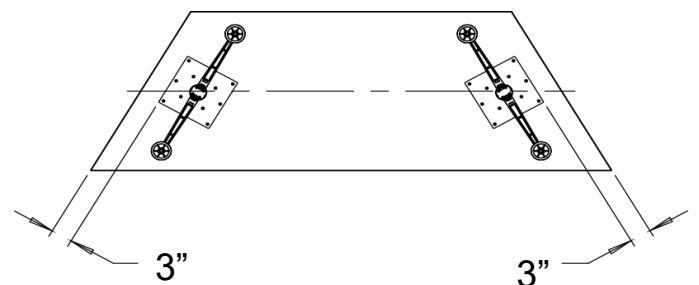
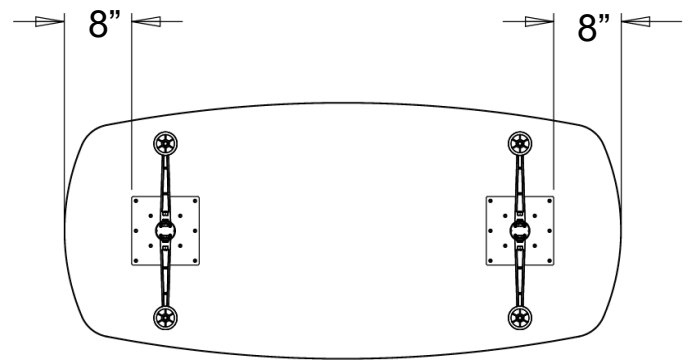
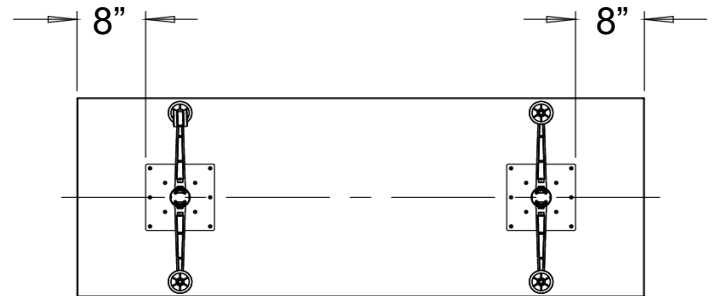
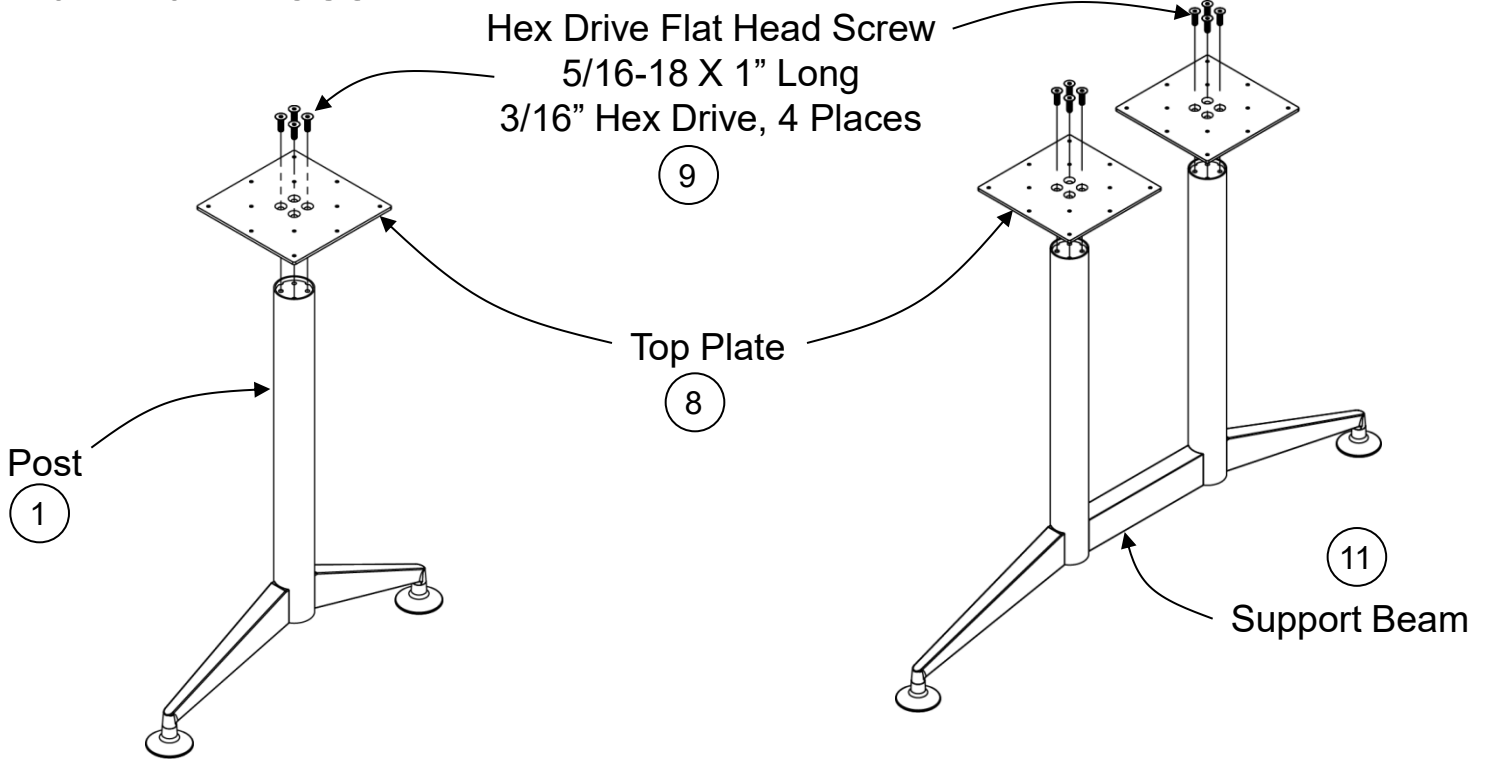


# X-Base Assembly

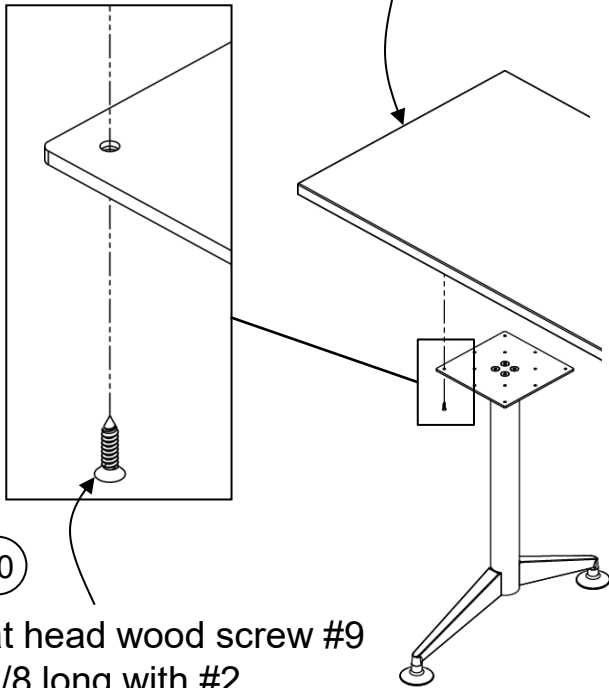


# Day to Day Tables – Aluminum Base

## T-Base Assembly



Worksurface

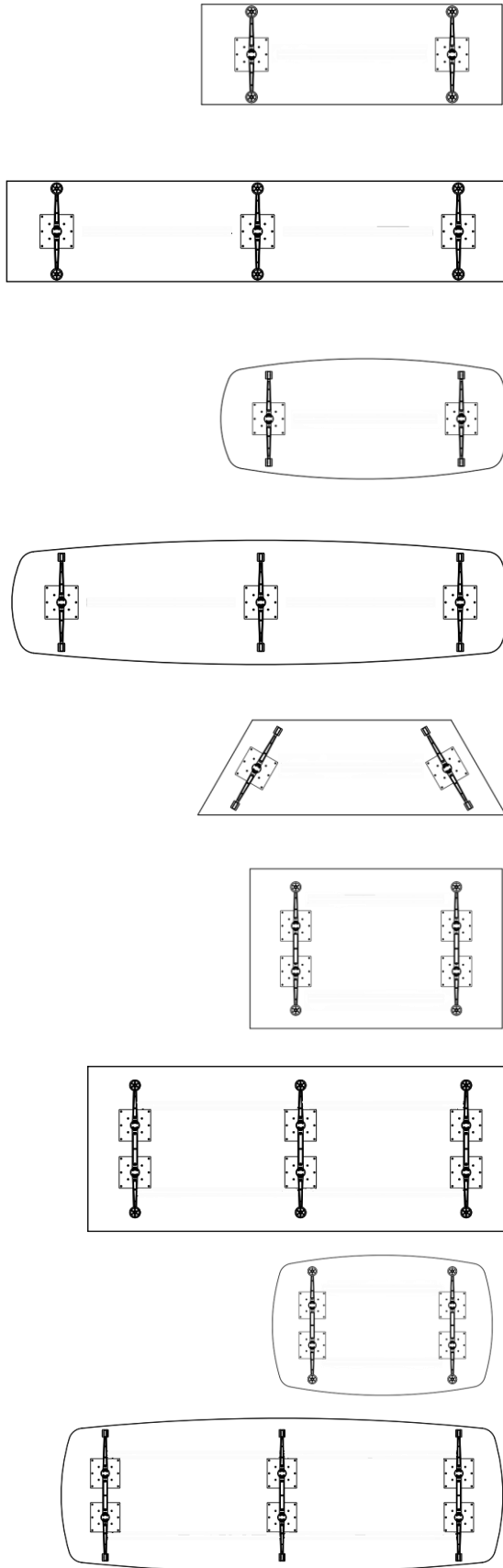


10

Flat head wood screw #9  
x 7/8 long with #2  
Phillips drive, silver x 12

# Day to Day Tables – Aluminum Base

# T-Base Assembly



## Single Post Rectangular 36-96W

Worksurfaces	T-Base	Qty
24D	24D	2
30-36D	30D	2

## Single Post Rectangular 108-120W

Worksurfaces	T-Base	Qty
30D	30D	3
36D	30D	3

## Single Post Pebble 36-96W

Worksurfaces	T-Base	Qty
30D	24D	2
36D	30D	2

## Single Post Pebble 108-120W

Worksurfaces	T-Base	Qty
30D	24D	3
36D	30D	3

## Single Post Trapezoid 60-84W

Worksurfaces	T-Base	Qty
24D	24D	2
30D	30D	2

## Double Post Rectangular 36-96W

Worksurfaces	T-Base	Qty
42-48D	35D	2
54-60D	41D	2

## Double Post Rectangular 108-120W

Worksurfaces	T-Base	Qty
42-48D	35D	3
54-60D	41D	3

## Double Post Pebble 36-96W

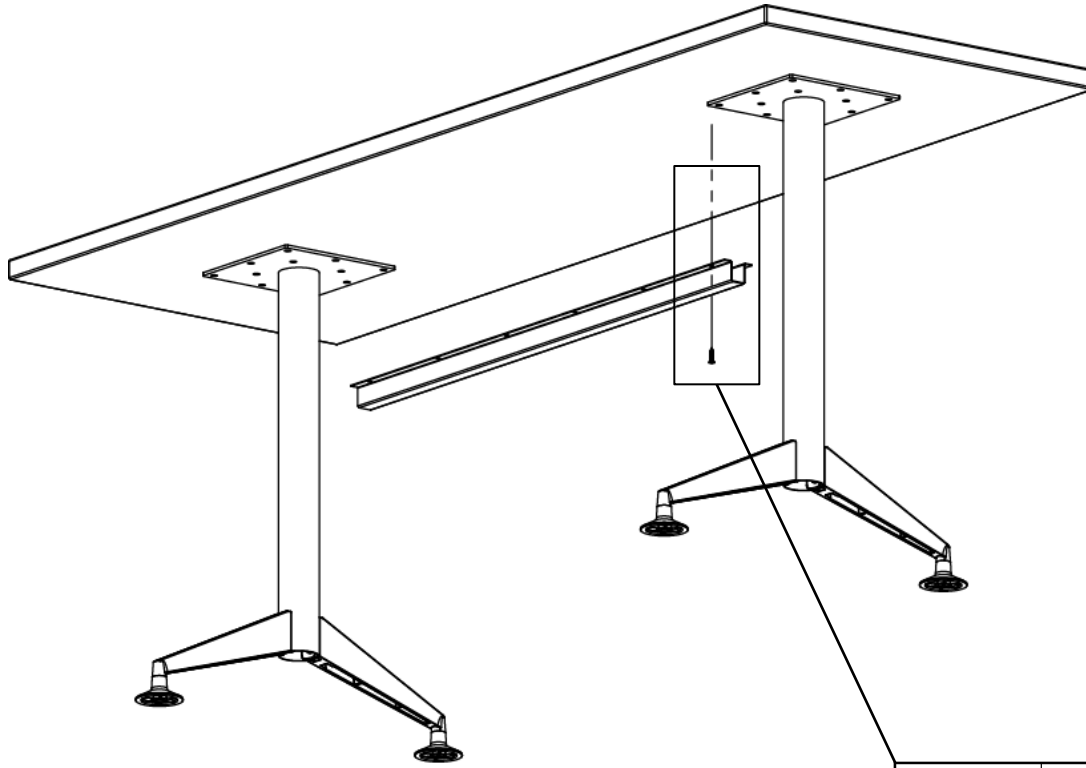
Worksurfaces	T-Base	Qty
42-48D	24D	2
54-60D	30D	2

## Double Post Pebble 108-120W

Worksurfaces	T-Base	Qty
42-48D	24D	3
54-60D	30D	3

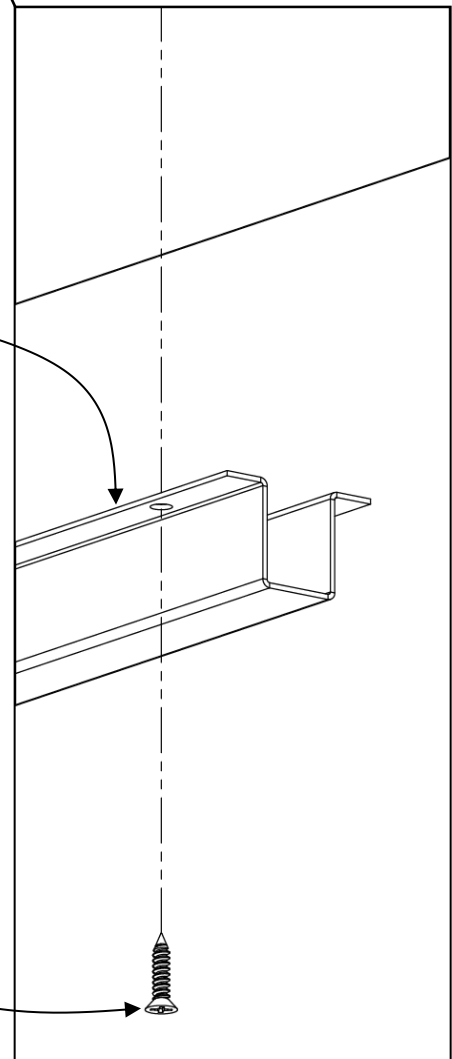
# Day to Day Tables – Aluminum Base

## U-Channel Assembly



⑫  
U-Channel  
(See following page for location)

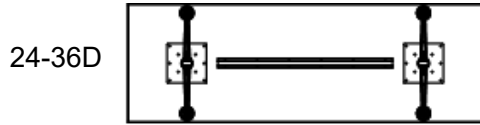
⑩  
Flat head wood screw #9  
x 7/8 long with #2  
Phillips drive, silver x 12



# Day to Day Tables – Aluminum Base

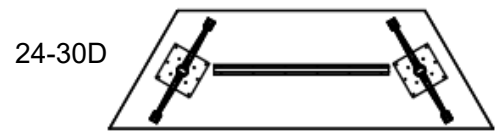
# U-Channel Assembly

72W use RWPS-HS36

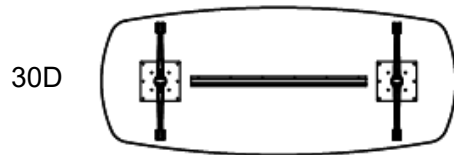


78W use RWPS-HS36

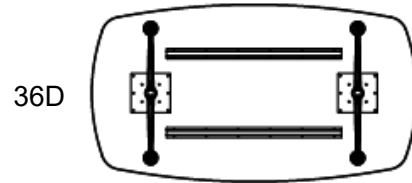
84W use RWPS-HS42



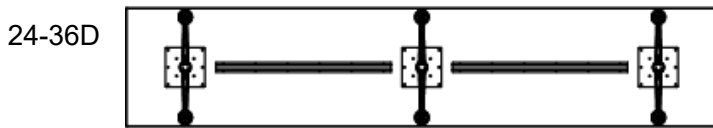
72W use RWPS-HS36



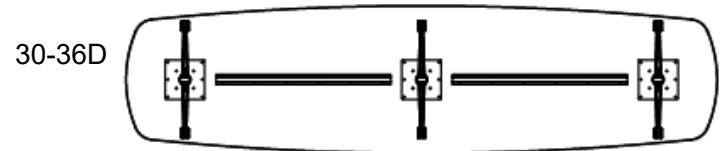
72W use RWPS-HS36



120W use RWPS-HS36

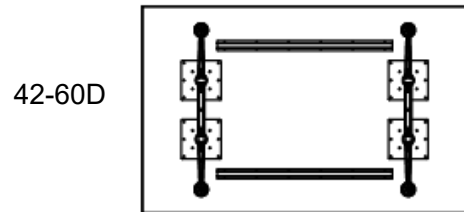


120W use RWPS-HS36



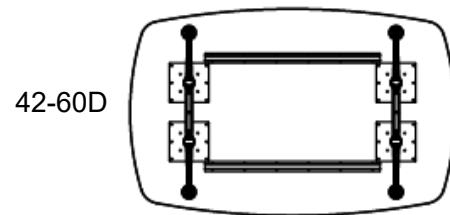
66W use RWPS-HS36

72W use RWPS-HS42



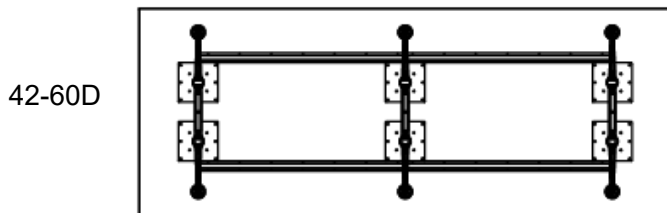
66W use RWPS-HS36

72W use RWPS-HS42



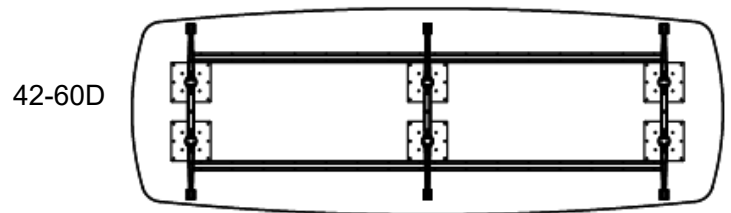
108W use RWPS-HS42

120W use RWPS-HS48



108W use RWPS-HS42

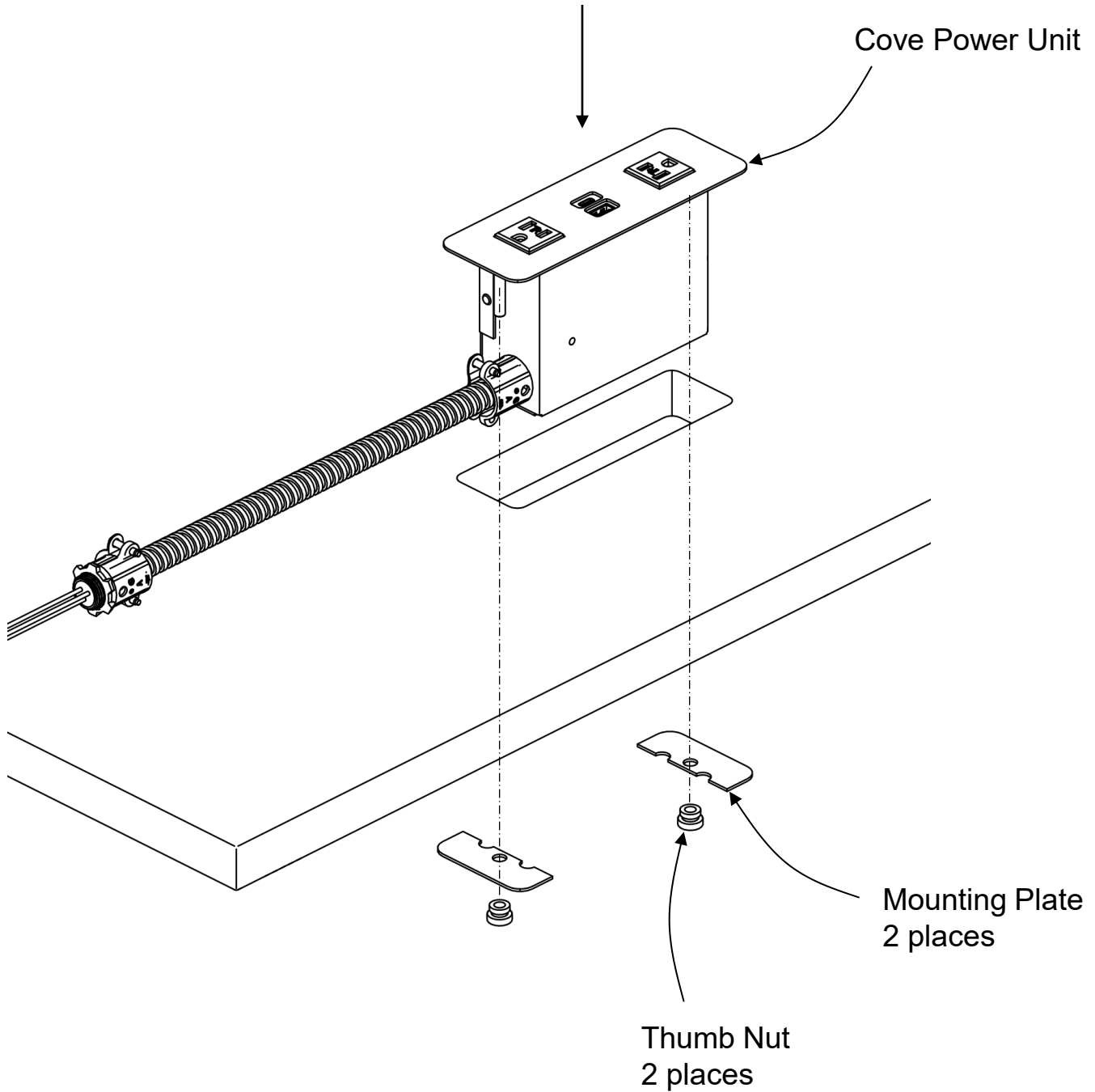
120W use RWPS-HS48

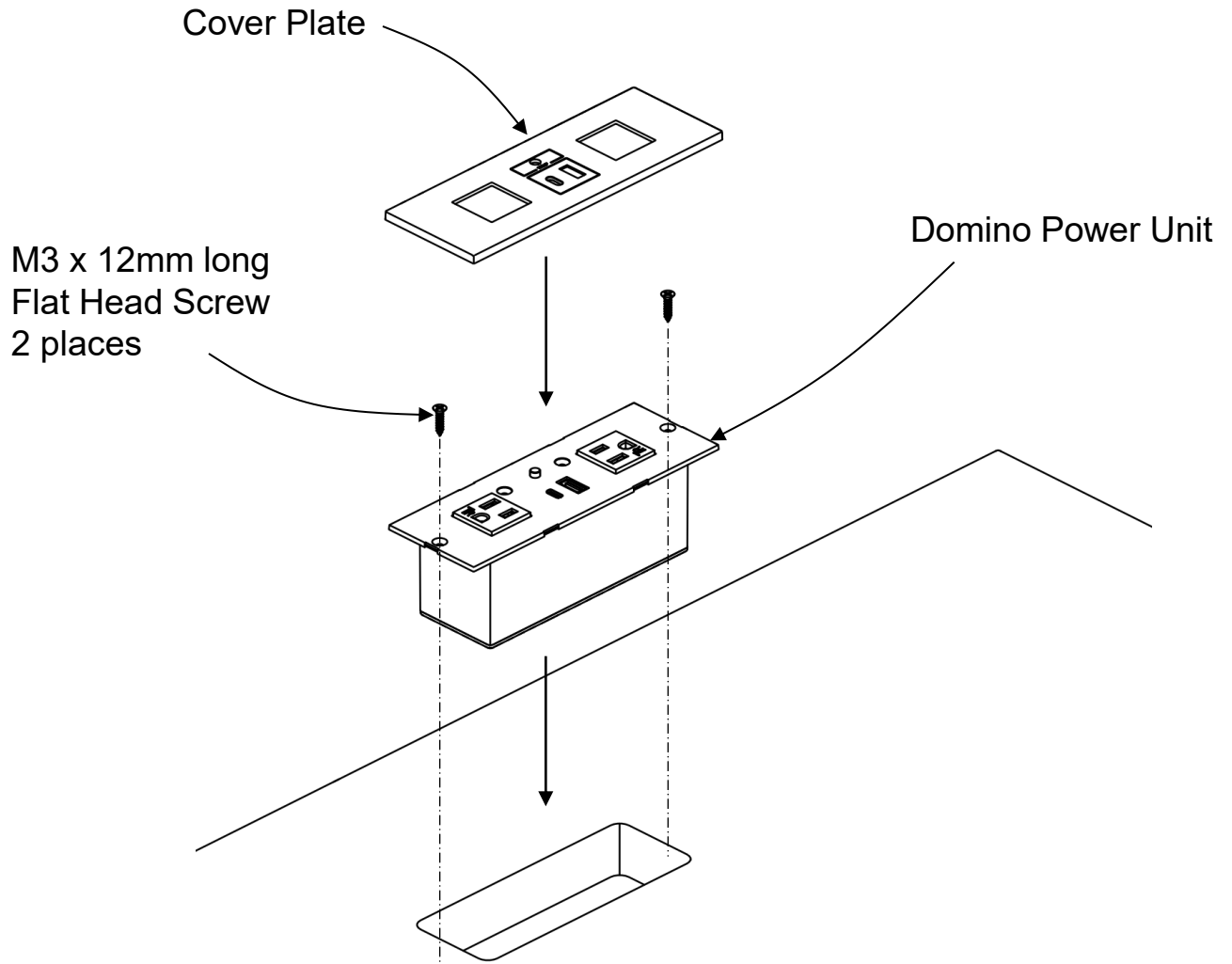


U-Channel	Nominal Length	Actual Length
RWPS-HS36	36"	35 1/2"
RWPS-HS42	42"	41 1/2"
RWPS-HS48	48"	47 1/2"
RWPS-HS54	54"	53 1/2"
RWPS-HS60	60"	59 1/2"
RWPS-HS66	66"	65 1/2"

# Day to Day Tables – Aluminum Base

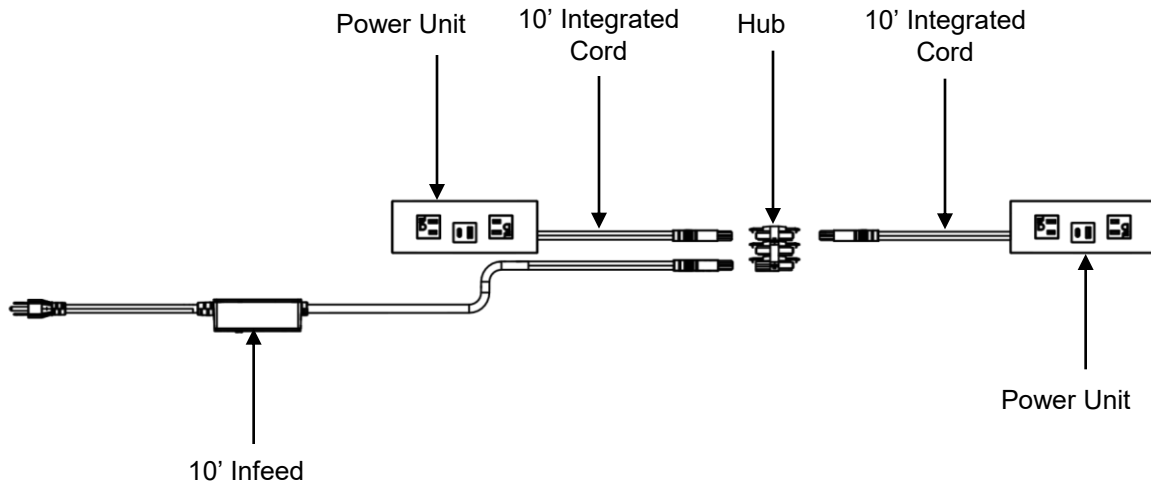
## Cove Power Units





# Day to Day Tables – Aluminum Base

# Daisy Chain Multiple Power Units



### Disconnecting Domino jumpers and infeed:

- Make sure to unplug the power cord from the power source before disconnecting the jumpers and infeed.
- To disengage a Domino Power unit jumper or infeed, use a screwdriver to lift prongs up.

