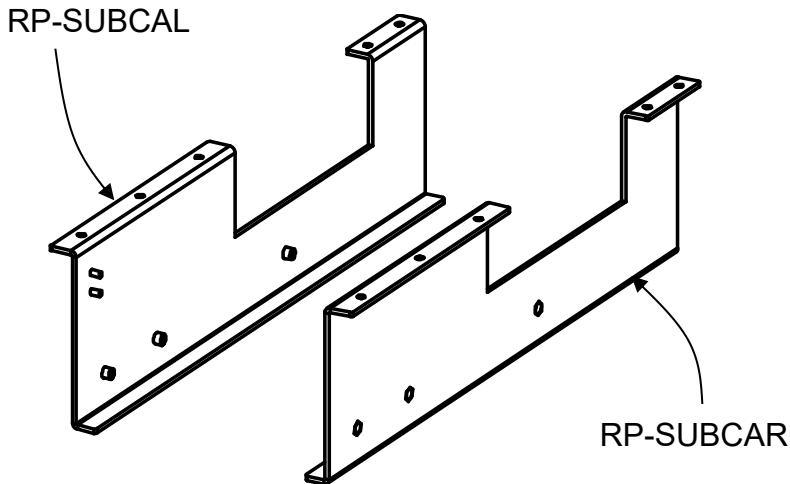


Suspended Storage

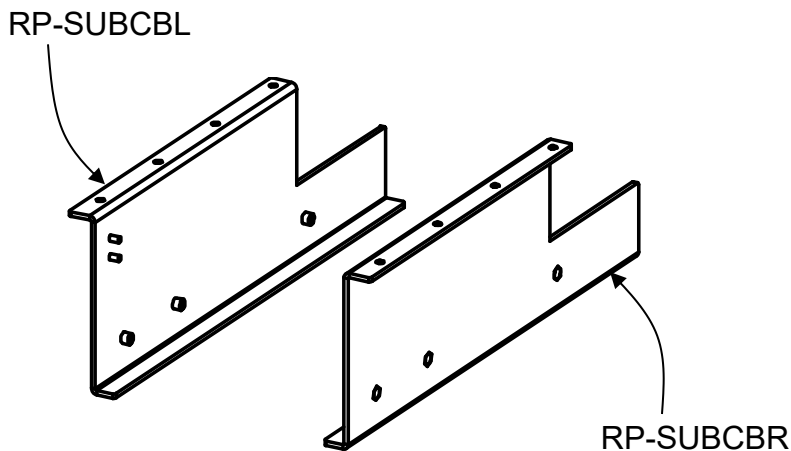
Step 1:

Determine the correct Storage Support Brackets for your application.



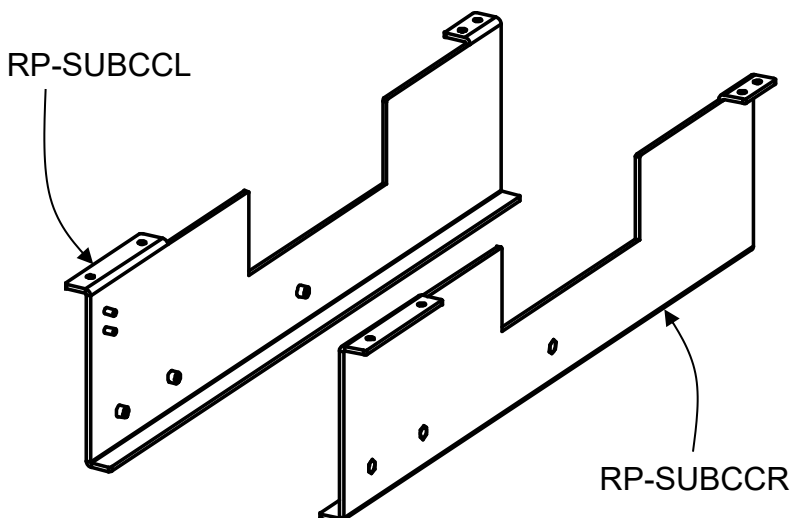
Condition A:

- Oxygen 30D surfaces
- Aloft 2018 24D surfaces
- Day to Day 24D surfaces



Condition B:

- Oxygen 24D surfaces
- Aloft 2018 30D surfaces
- Aloft 2019 30D surfaces
- Day to Day 30D surfaces



Condition C:

- Aloft 2019 24D surfaces

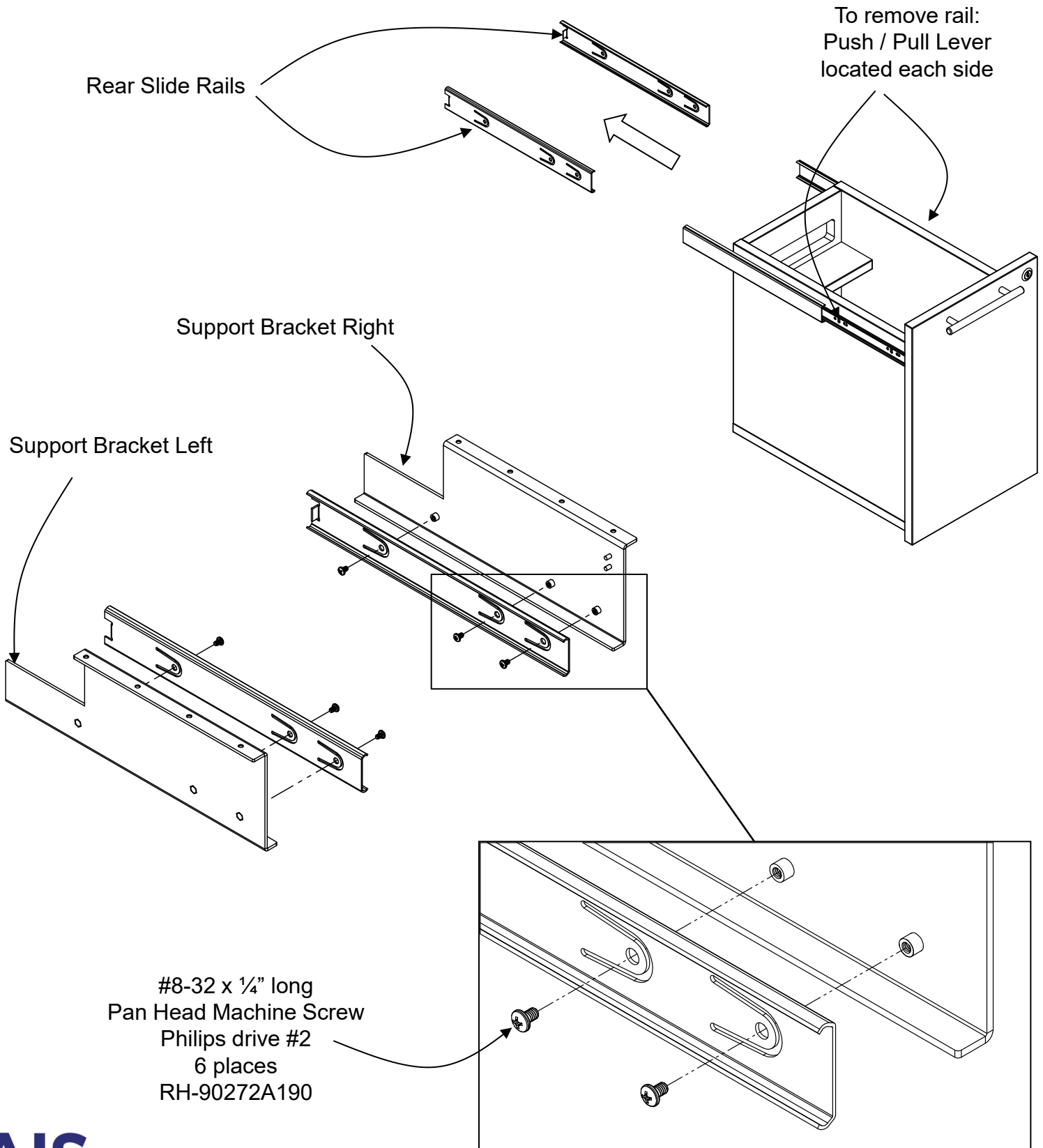


The following pages use Condition B as the example. Conditions A and C assemble in the same manner.

Suspended Storage

Step 2:

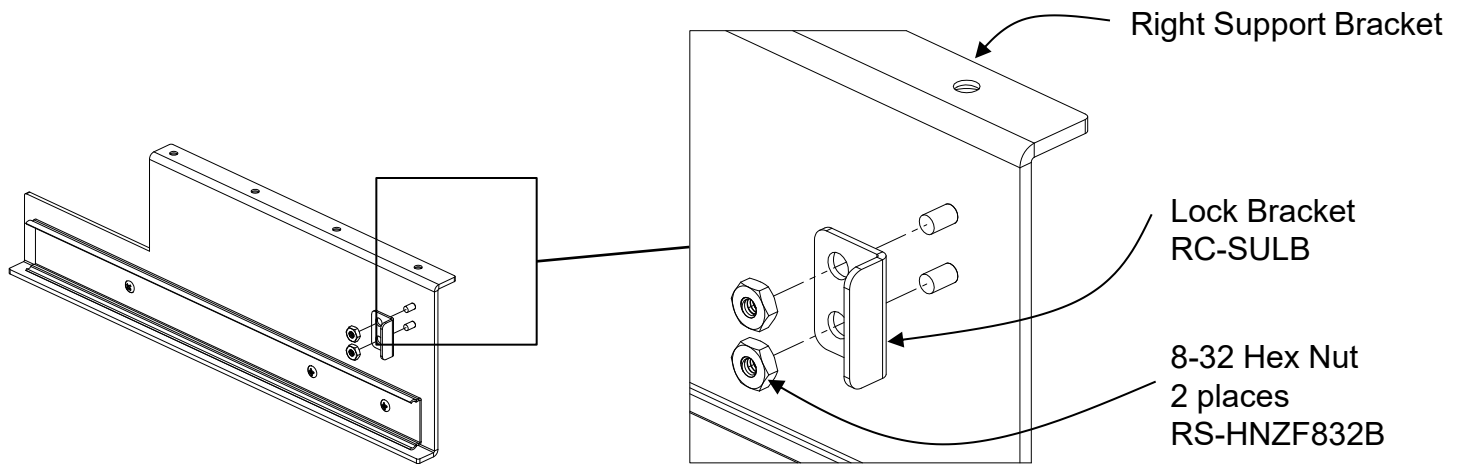
Remove rear slide rails from the storage unit and attach to the Suspended Storage Support Brackets using #8-32 x 1/4" pan head screws.



Suspended Storage

Step 3:

Install Lock Bracket to Right Support Bracket using 8-32 Hex Nut.



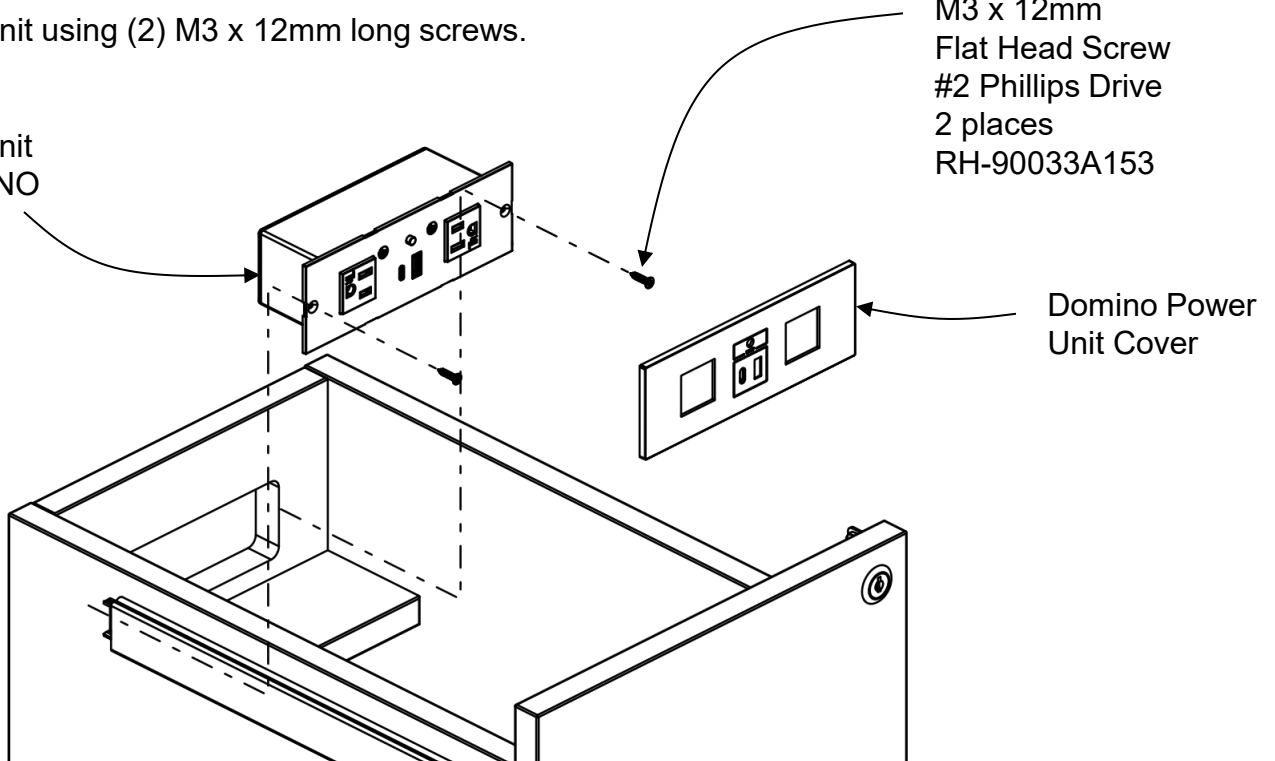
Step 4 (optional):

Install power unit using (2) M3 x 12mm long screws.

Domino
Power Unit
E-DOMINO

M3 x 12mm
Flat Head Screw
#2 Phillips Drive
2 places
RH-90033A153

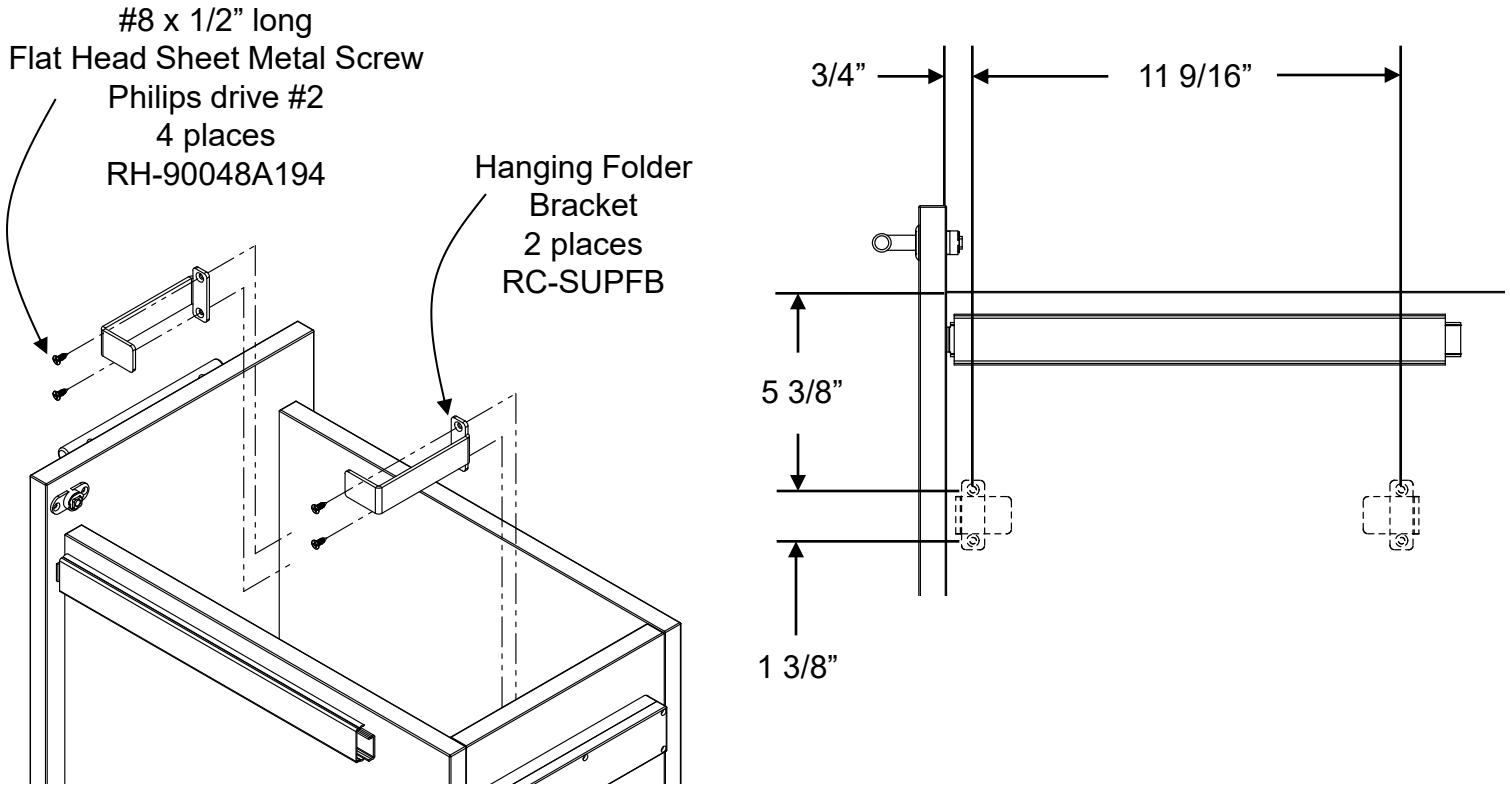
Domino Power
Unit Cover



Suspended Storage

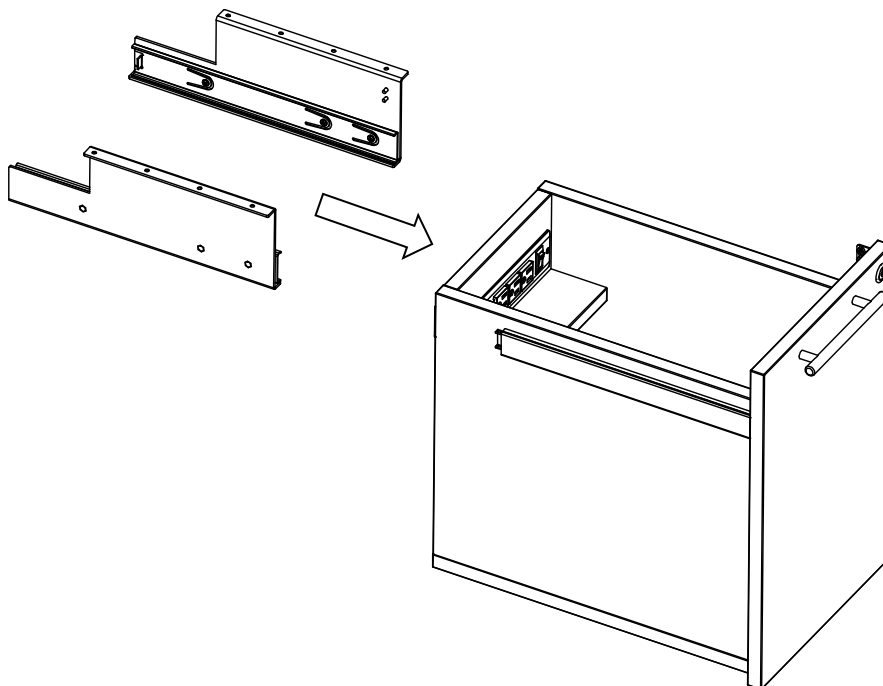
Step 5 (optional):

Install hanging folder brackets using (4) #8 x 1/2" long screw.



Step 6:

Re-install both slide rails to storage unit, making sure to push all the way forward to engage.



Suspended Storage

Step 7:

Attach storage unit to worksurface using #9 x 7/8" screws.

