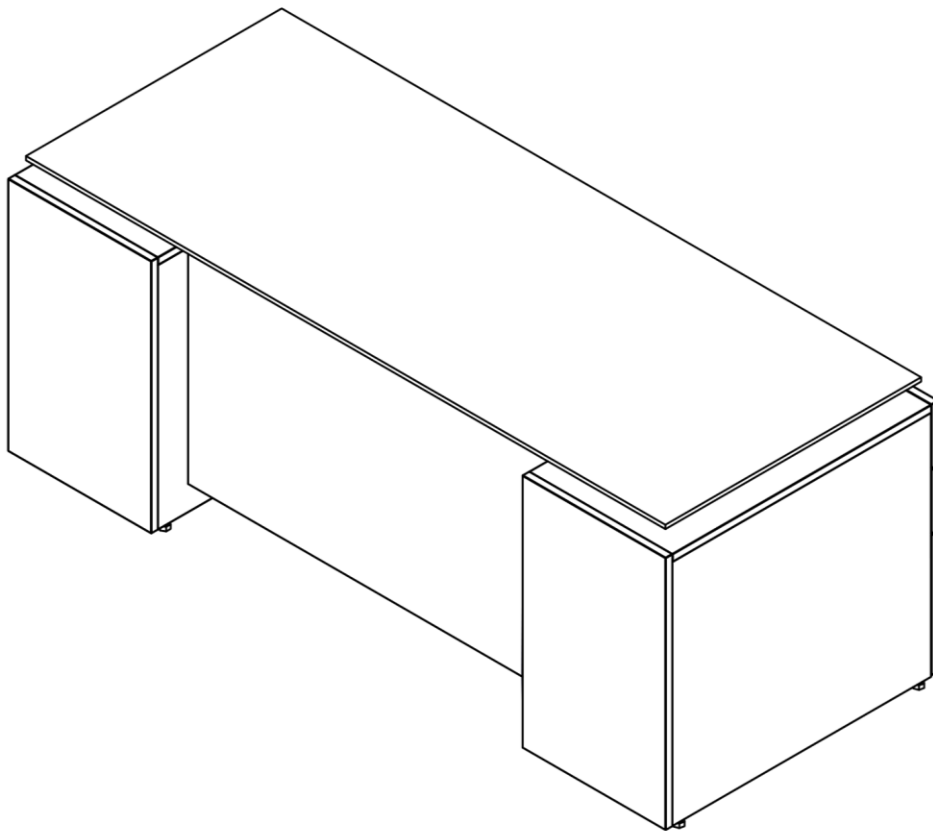


# Executive Floating Height Adjustable 2 Leg Desk Installation Instructions

Date	Page No.	Description of change	Name
01/31/2024	1-25	Released	S. Powers
02/14/2024	1-9,29	Added u-channel lengths and assembly notes.	S. Powers
03/22/2024	34	Added trim ring installation	S. Powers
04/09/2025	2,4	Pg 2: Added left/right-hand wire manager cabinets. Pg 4: Added details for using 90° cables.	S. Powers
10/17/2025	13	Updated P11 and P19 images	S. Powers

**\*\*\*READ ALL INSTRUCTIONS BEFORE STARTING INSTALLATION\*\*\***



# Executive Floating Height Adjustable 2 Leg Desk Installation Instructions

**\*\*\*READ ALL INSTRUCTIONS BEFORE STARTING INSTALLATION\*\*\***

## IMPORTANT ASSEMBLY NOTES:

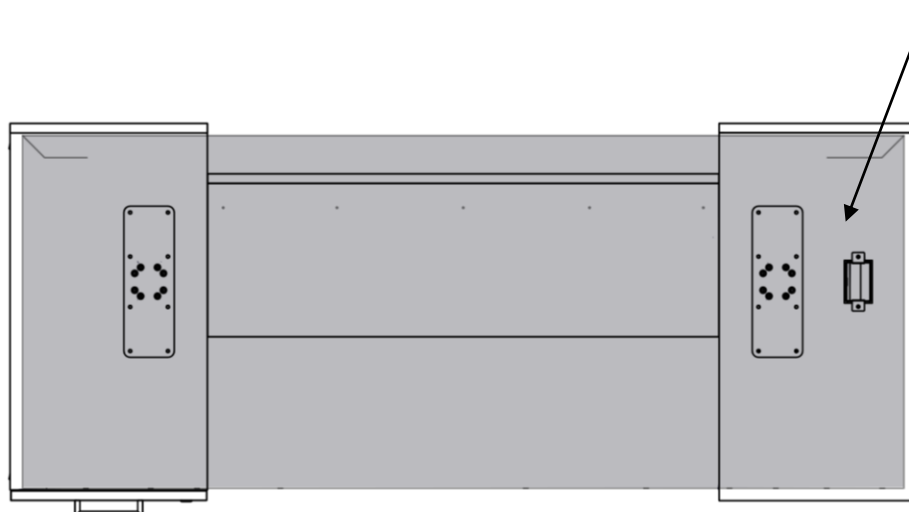
- According to the location of the wire manager cabinet, the 2 leg Executive Floating Height Adjustable Desks are right-handed or left-handed,. The following instructions are showing the installation of a right-handed wire manager cabinet. A left-handed wire manager installs in the same manner.



Top View

Left-handed wire manager cabinet

Right-handed wire manager cabinet



Top View

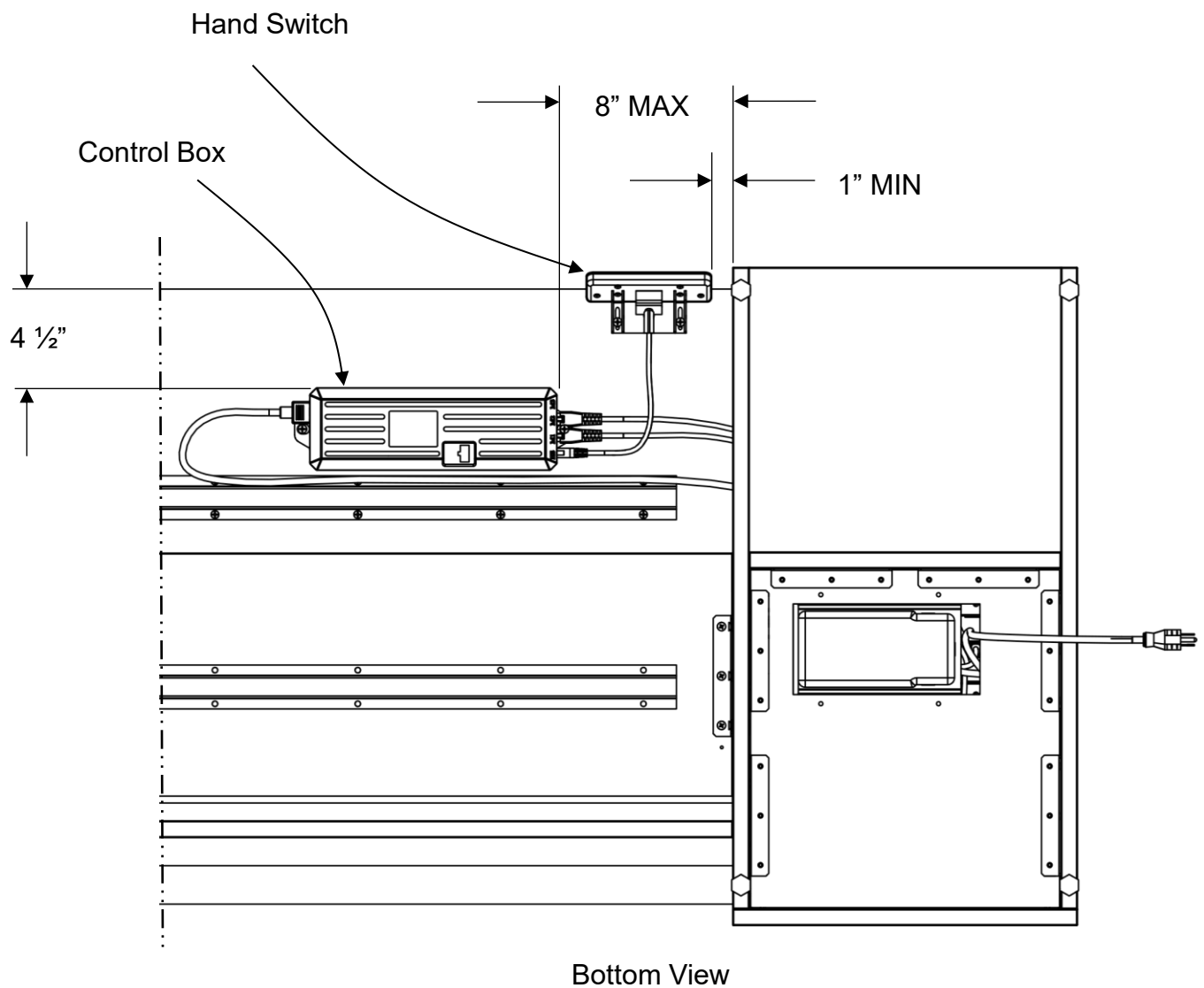


# Executive Floating Height Adjustable 2 Leg Desk Installation Instructions

**\*\*\*READ ALL INSTRUCTIONS BEFORE STARTING INSTALLATION\*\*\***

## IMPORTANT ASSEMBLY NOTES:

- Location of the control box and hand switch is critical. Failure to locate the control box and hand switch correctly could result in injury.



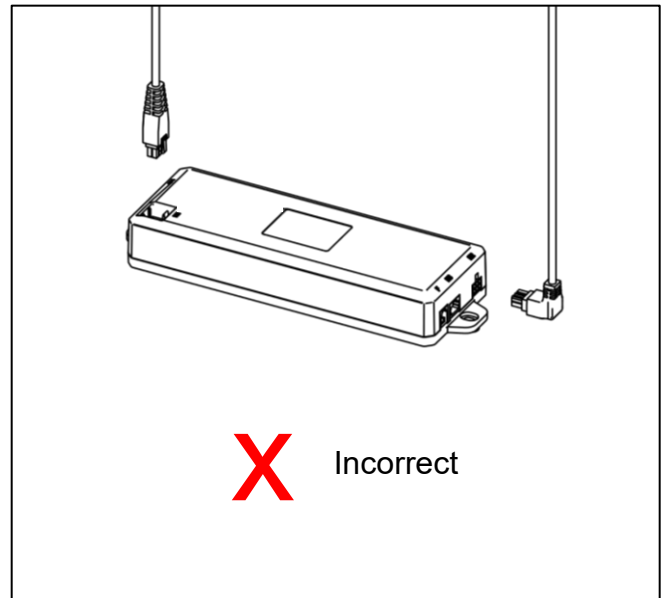
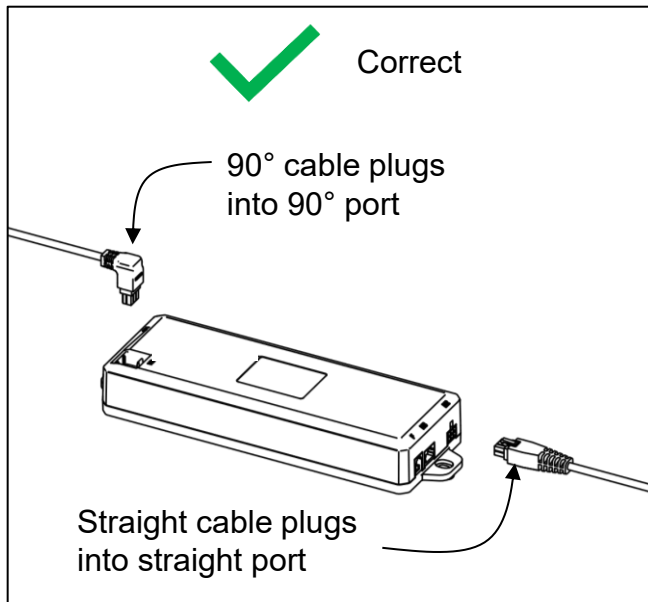
# Executive Floating Height Adjustable 2 Leg Desk Installation Instructions

**\*\*\*READ ALL INSTRUCTIONS BEFORE STARTING INSTALLATION\*\*\***

## IMPORTANT ASSEMBLY NOTES:

- You may have received a 90° cable for your control box. Use the 90° cable as shown below.

Note: Control boxes feature ports on either the top face (90° connection shown below) or on the side (straight connection). You may be supplied both 90° and straight cables. Make sure to use the 90° cable in the 90° port only and use the straight cable in the straight port only, as shown below.

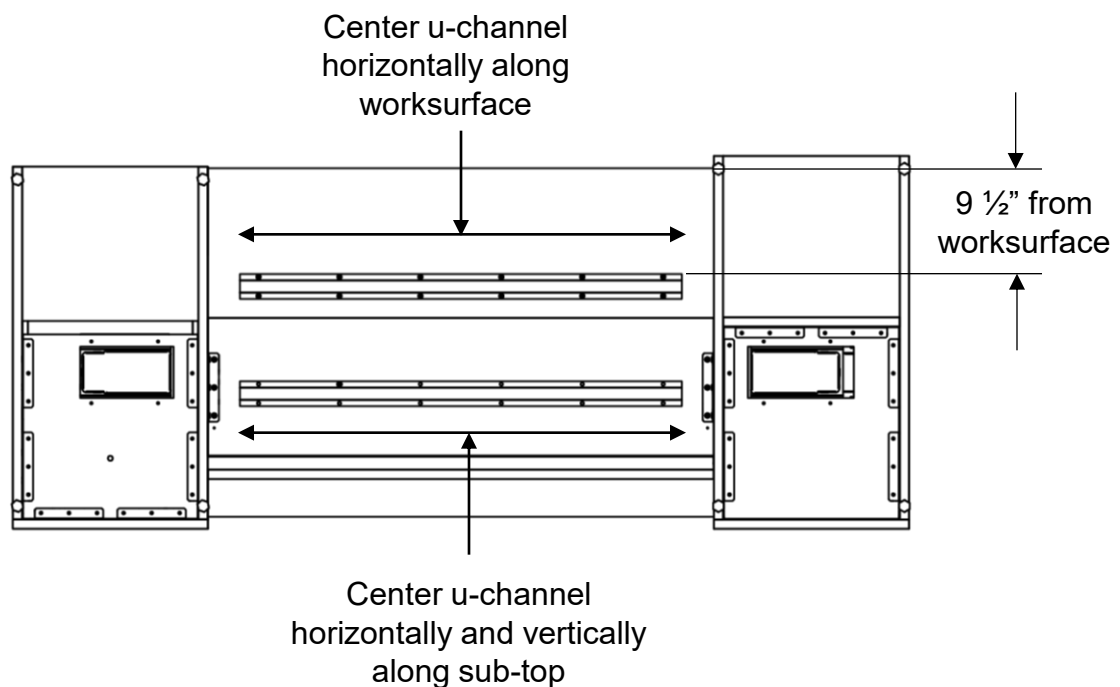


# Executive Floating Height Adjustable 2 Leg Desk Installation Instructions

**\*\*\*READ ALL INSTRUCTIONS BEFORE STARTING INSTALLATION\*\*\***

## IMPORTANT ASSEMBLY NOTES:

- Location of the worksurface u-channels is critical. Failure to locate the u-channels correctly could result in injury.

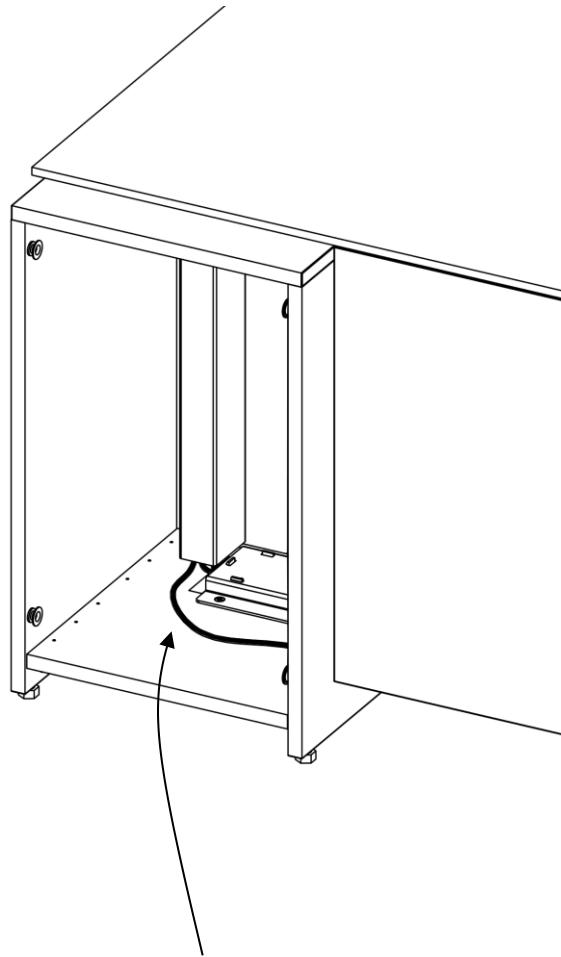


# Executive Floating Height Adjustable 2 Leg Desk Installation Instructions

**\*\*\*READ ALL INSTRUCTIONS BEFORE STARTING INSTALLATION\*\*\***

## IMPORTANT ASSEMBLY NOTES:

- The wire manager cabinet is not to be used for storage purposes. This cabinet is to remain clear of any items that may prevent the wires and the wire manager to move freely. Obstructions may result in injury.
- Use cable ties as necessary to keep wires orderly.



**DO NOT PLACE ANYTHING  
UNDER WIRE MANAGER!**

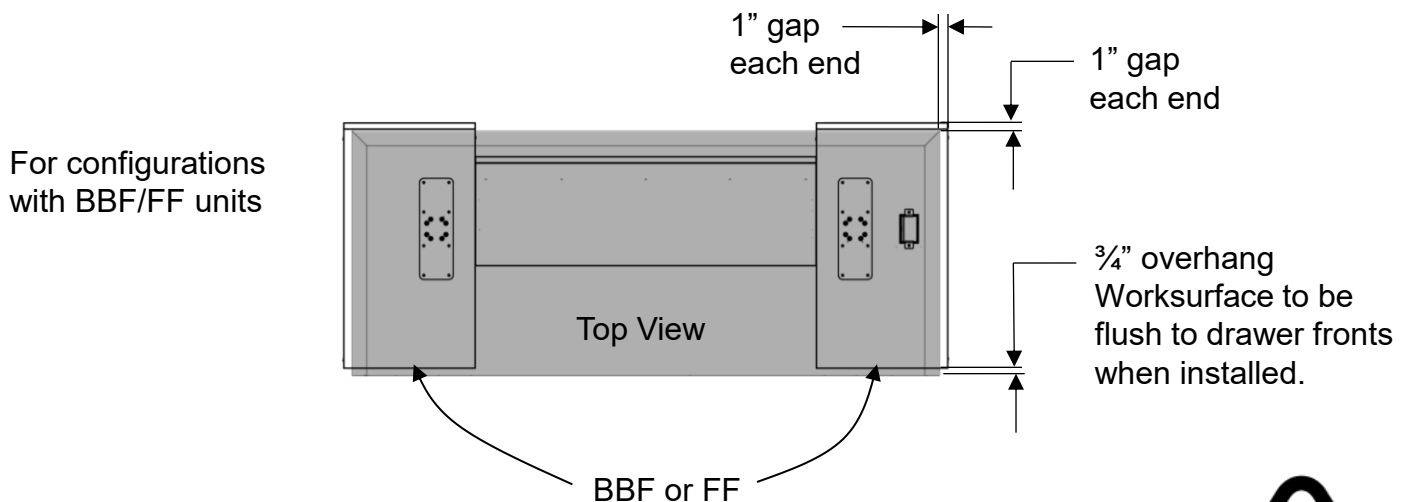
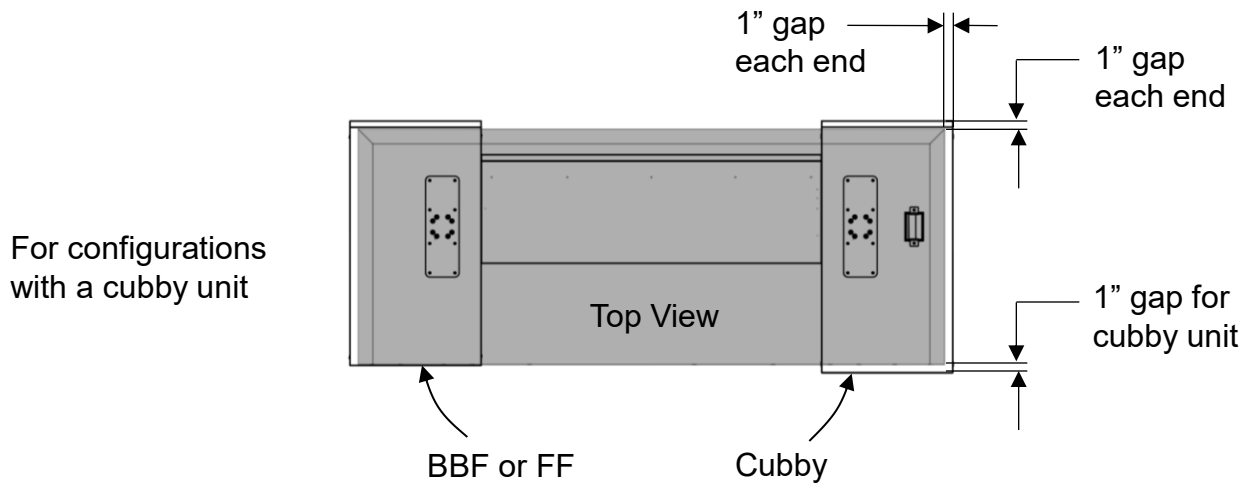


# Executive Floating Height Adjustable 2 Leg Desk Installation Instructions

**\*\*\*READ ALL INSTRUCTIONS BEFORE STARTING INSTALLATION\*\*\***

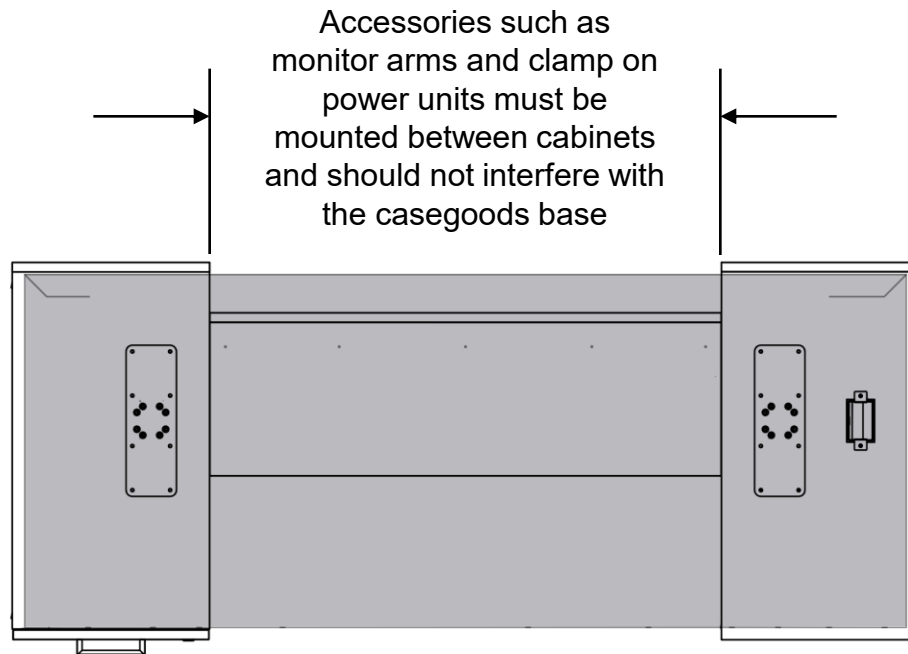
## IMPORTANT ASSEMBLY NOTES:

- Worksurfaces to be located as shown. Any pinch point gap less than 1" could result in injury.



# Executive Floating Height Adjustable 2 Leg Desk Installation Instructions

**\*\*\*READ ALL INSTRUCTIONS BEFORE STARTING INSTALLATION\*\*\***



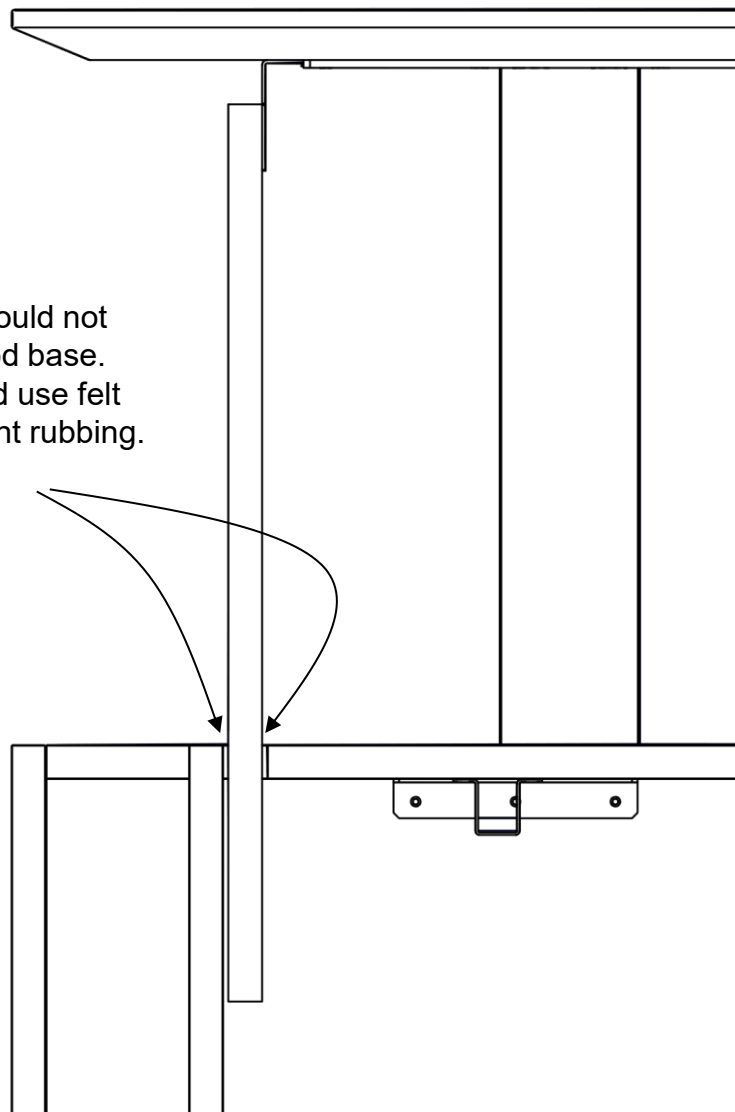
# Executive Floating Height Adjustable 2 Leg Desk Installation Instructions

**\*\*\*READ ALL INSTRUCTIONS BEFORE STARTING INSTALLATION\*\*\***

## IMPORTANT ASSEMBLY NOTES:

- The suspended modesty must hang free from the worksurface and should not interfere or rub against the casework base. Use felt adhesive discs as necessary to prevent laminate interference.

Suspended modesty should not rub against the casework base. Adjust as necessary and use felt adhesive discs to prevent rubbing.



# Executive Floating Height Adjustable 2 Leg Desk Installation Instructions

## **\*\*\*READ ALL INSTRUCTIONS BEFORE STARTING INSTALLATION\*\*\***

- For commercial use only.
- Warning: Risk of Injury – Maximum load 275 lbs. 2 leg, 325 lbs. 3 leg
- Electrical rating: 120V, 60Hz, 4 AMP for 2 leg tables  
120V, 60Hz, 5 AMP for 3 leg tables
- No more than 12 furnishings can be connected on one branch circuit.

## **IMPORTANT SAFETY INSTRUCTIONS**

DANGER – To reduce risk of electric shock:

- Always unplug furnishing from the electrical outlet before cleaning or servicing.

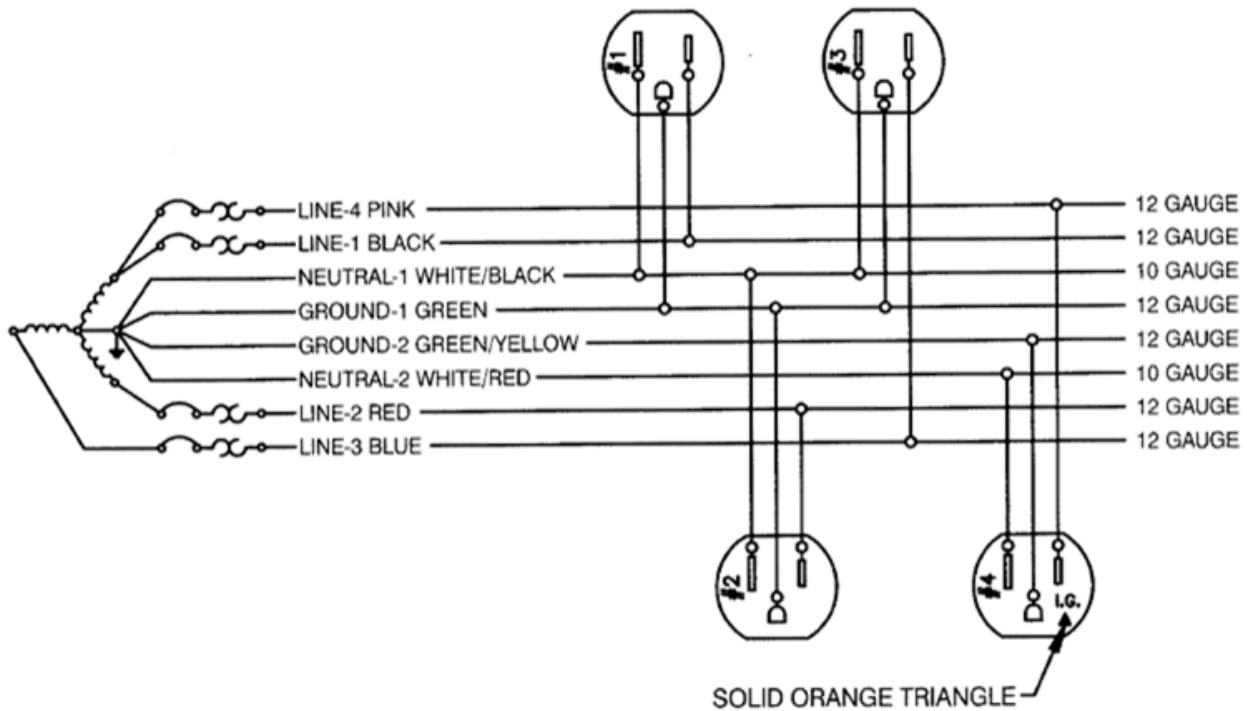
WARNING – To reduce the risk of burns, fire, electric shock, or injury to persons:

- Unplug from outlet before putting on or taking off parts.
- Close supervision is necessary when this furnishing is used by, or near children, invalids or disabled persons.
- Review the assembly instructions to confirm that the appropriate critical components and accessories are being used with the furnishing.
- Never operate this furnishing if it has a damaged cord or plug, if it is not working properly, if it has been dropped or damaged, or dropped into water.
- Keep the cord away from heated surfaces.
- Never operate the furnishing with the air openings blocked. Keep the air openings free of lint, hair and the like.
- Do not use outdoors.
- To disconnect, turn all controls to the off position, then remove plug from outlet.
- Connect to a properly grounded outlet only. See grounding instructions.
- For loading always put heavier items at the bottom and not near the top in order to help prevent the possibility of the furnishing tipping over.



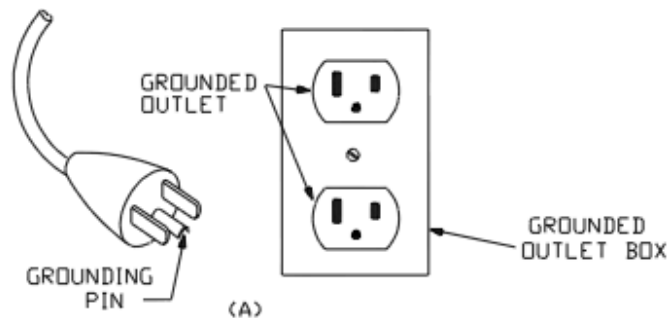
# Executive Floating Height Adjustable 2 Leg Desk Installation Instructions

## Wiring Schematic

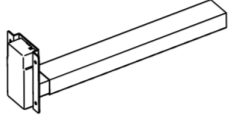

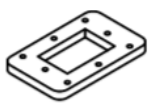

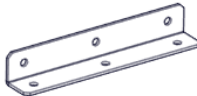


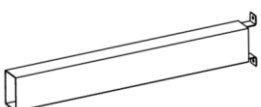




### GROUNDING INSTRUCTIONS

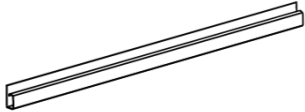
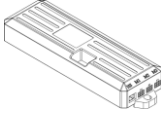


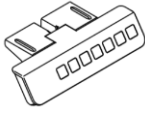




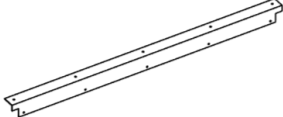
This product is for use on a circuit having a nominal rating more than 120 volts and is factory-equipped with specific electric plug to permit connection to a proper electric circuit. Make sure that the product is connected to an outlet having the same configuration as the plug. No adapter should be used with this product





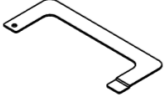

# Executive Floating Height Adjustable 2 Leg Desk Installation Instructions

Item	Replacement Part number	Circle Sheet Part Number	Description	Image
P1	RT-2S2LECK-xx (x = S, W or B)	RWFS-2L2SE-ECx (x = S, W or B)	Height Adjustable Column 50mmX80mm	
P2	RH-98903A364	RH-98903A364	#14 x 3/4" Flat Head Screw	
P3	RC-LG8050	RC-LG8050	PET Gasket	
P4	RH-WSFP1034	RH-WSFP1034	#10 x 3/4" long Flat head wood screw	
P5	O-LB2	OX-LB2	L-Bracket	
P6	A-FHTP	RC-FHTP	Top Plate	
P7	RH-91263A837	RH-91263A837	M6 x 12mm Flat Head Socket Head Screw	
P8	RL-FHATVWM-xx (xx = BK, WT or MS)	RL-FHATVWM-xx (xx = BK, WT or MS)	Vertical Wire Manager	
P9	RH-DU325	RH-DU325	Anchor Pin	
P10	RH-9056601-I	RH-9056601	Cam Bushing	

# Executive Floating Height Adjustable 2 Leg Desk Installation Instructions

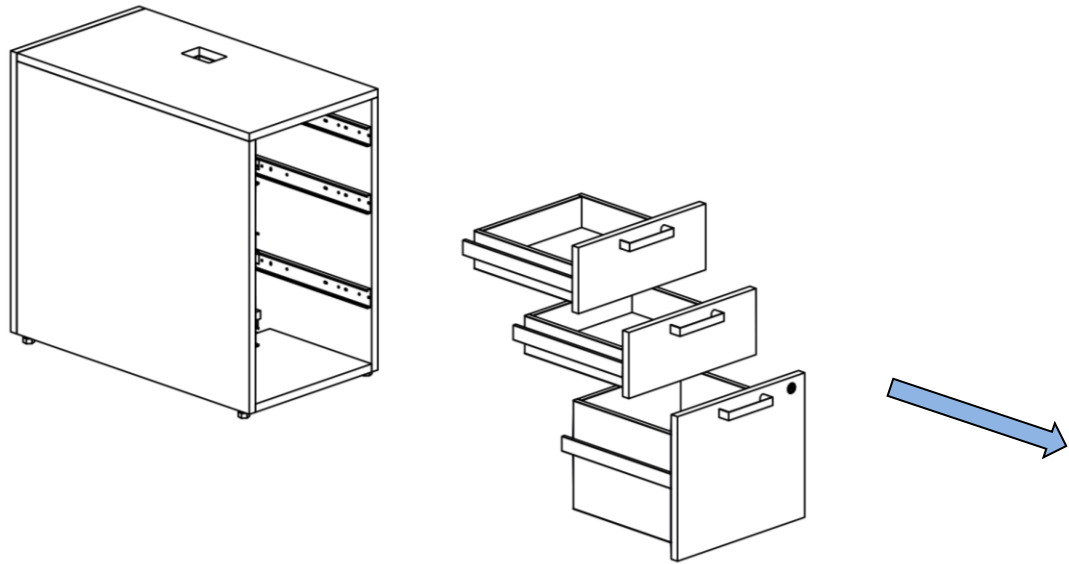
Item	Replacement Part number	Circle Sheet Part Number	Description	Image
P11	A-WMJCxx (xx = length)	A-WMJCxx (xx = length)	J-Channel Wire Manager	
P12	RL-2LCB	RL-2LCB	2-Input Control Box	
P13	RL-3LCK	RL-3LCK	2.5M cable extension	
P14	RL-2LCK	RL-2LCK	1.3M cable extension	
P15	RL-PHS	RL-PHS	Hand Switch	
P16	RL-JCPWRCRD	RL-JCPWRCRD	Power Cord	
P17	RH-QS0978	RH-QS0978	#9 X 7/8" Flat Head Screw	
P18	WPS-HSxx	RWPS-HSxx	U-Channel	
P19	RH-90190A244	RH-90190A244	M5 x 16mm Screw	
P20	C-FHATMBxx (xx = 72, 78 or 84)	RC-FHATMBxx (xx = 72, 78 or 84)	Suspended Modesty Bracket	

# Executive Floating Height Adjustable 2 Leg Desk Installation Instructions

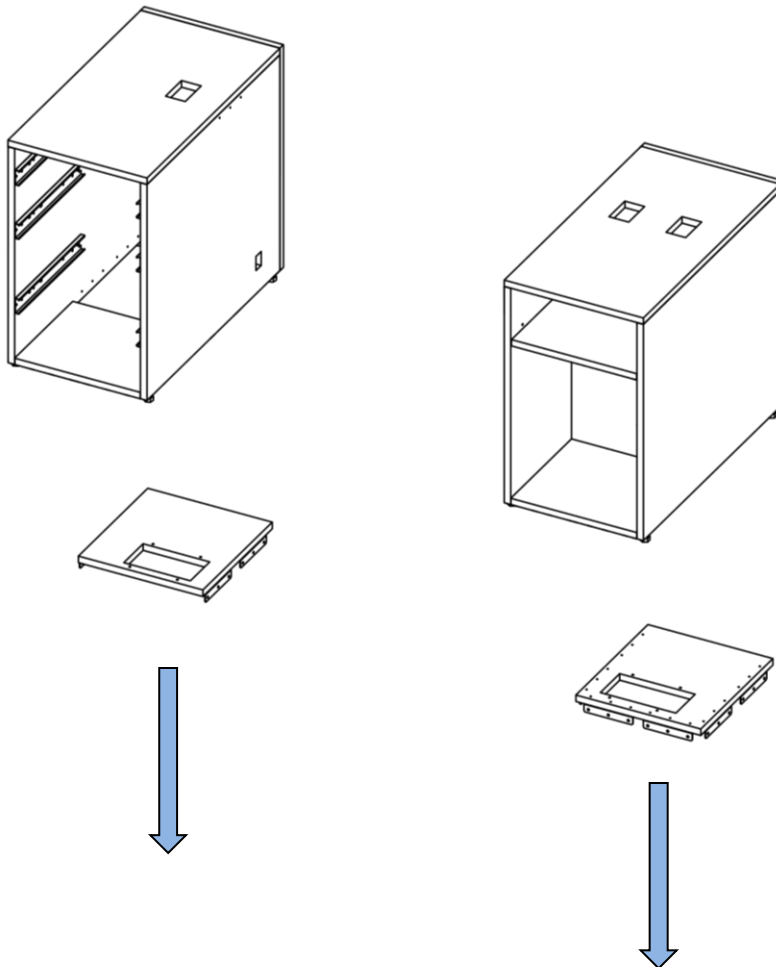
Item	Replacement Part number	Circle Sheet Part Number	Description	Image
P21	RH-90048A194	RH-90048A194	#8 x 1/2" Flat Head Screw	
P22	RH-8771K6	RH-8771K6	Adhesive Backed Felt Bumper	
P23	P-FHATTR	RH-FHATTR	Trim Ring	
P24	RH-7187A23	RH-7187A23	Glue Disks	

# Executive Floating Height Adjustable 2 Leg Desk Installation Instructions

Step 1: Remove all drawers from BBF or FF Cabinets.

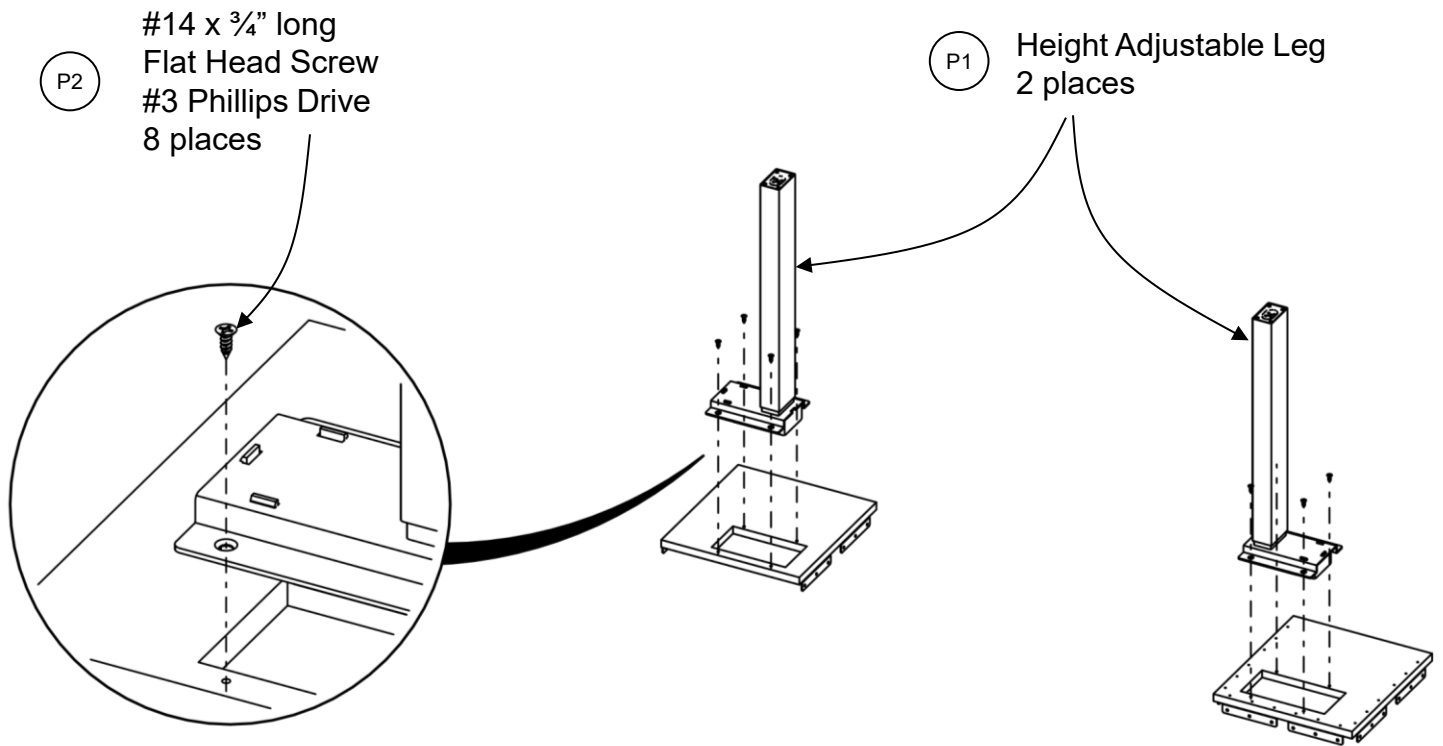


Step 2: Temporarily remove platforms from the bottom of each cabinet using a #2 phillips drive. **Do not discard the #10 x 3/4" screws.**

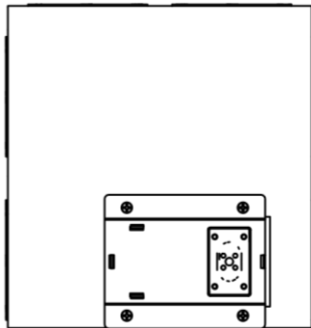


# Executive Floating Height Adjustable 2 Leg Desk Installation Instructions

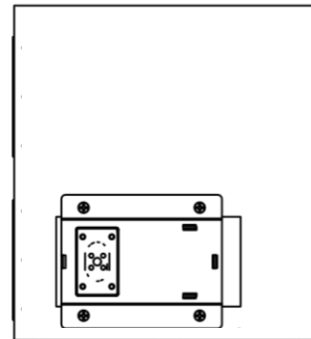
Step 3: Install height adjustable legs to cabinet platform, orientated as shown. Use #14 screws.



Left Cabinet Top View

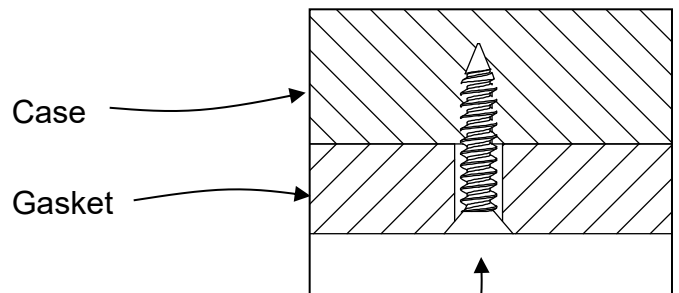
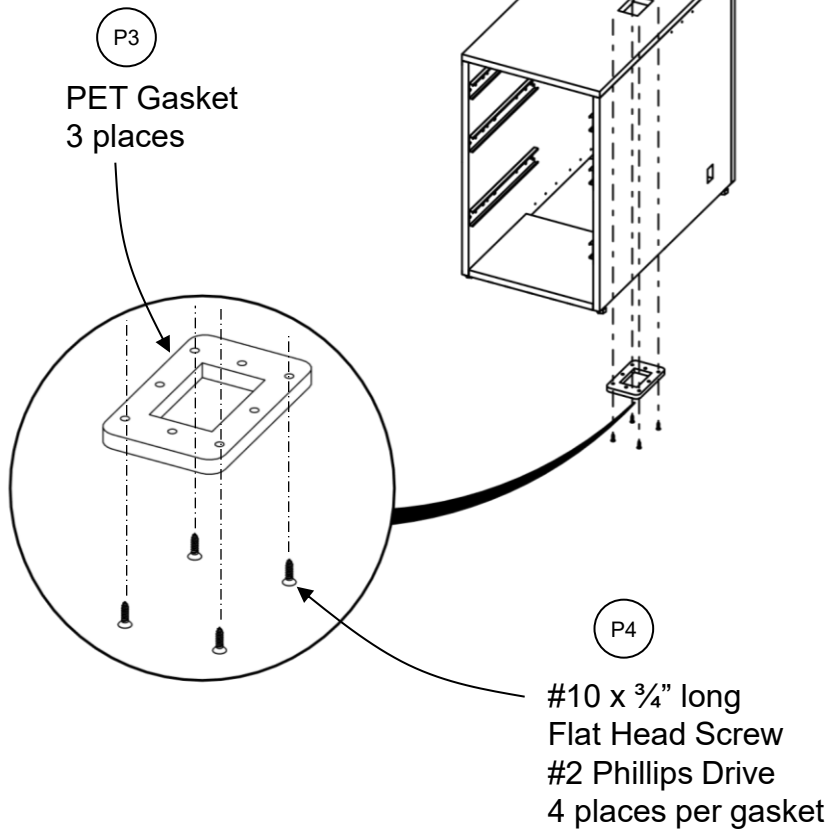
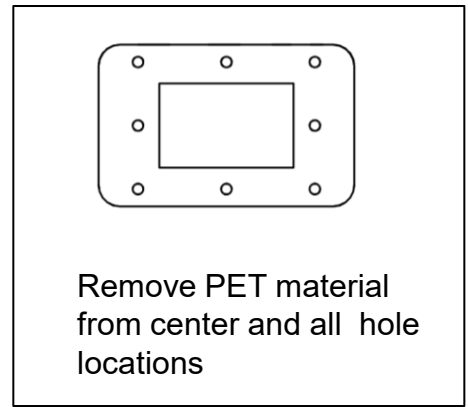


Right Cabinet Top View



# Executive Floating Height Adjustable 2 Leg Desk Installation Instructions

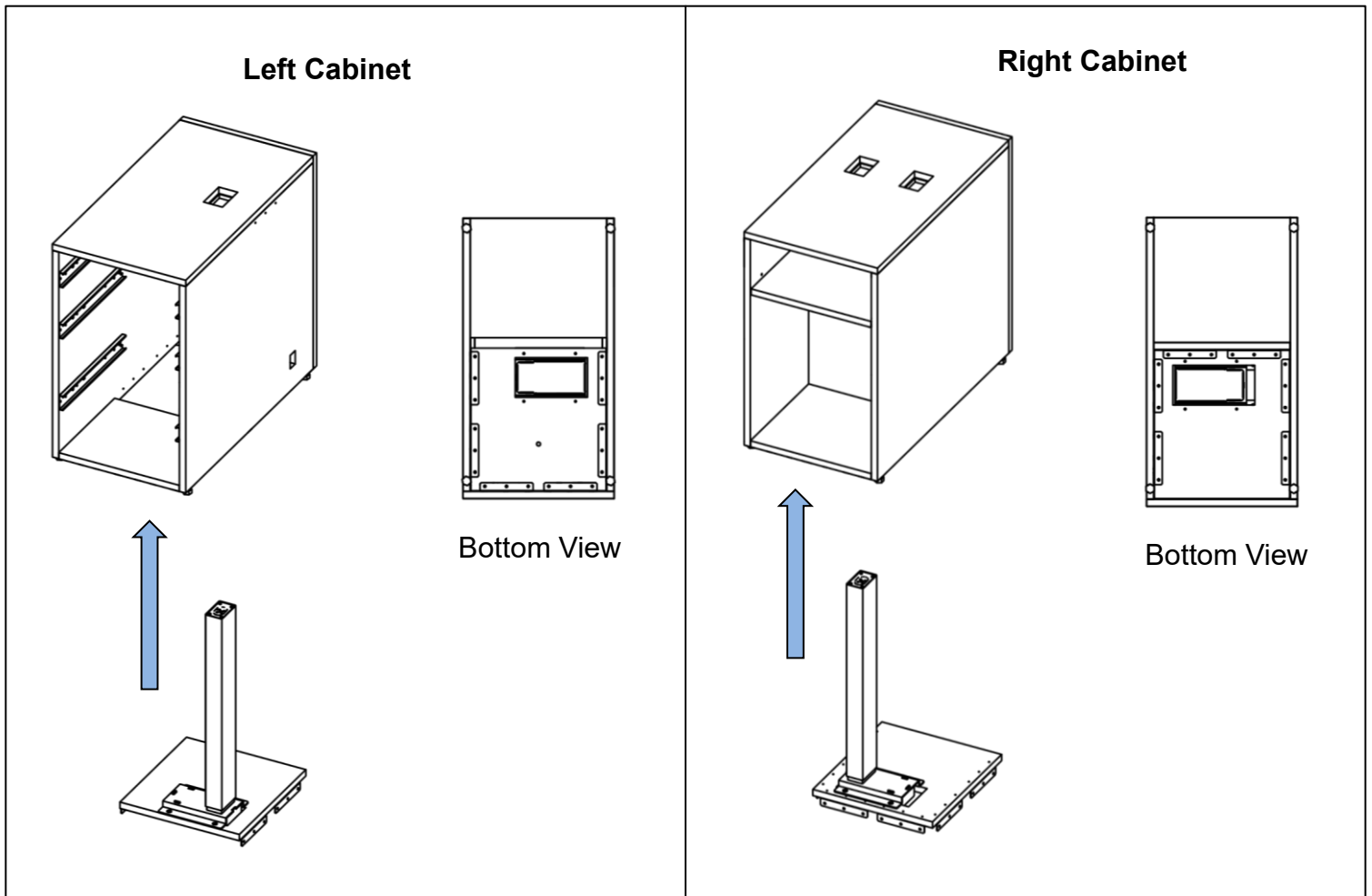
Step 4: Install PET gaskets using #10 x 3/4 screws .



Tighten until screw head is flush to the PET gasket

# Executive Floating Height Adjustable 2 Leg Desk Installation Instructions

Step 5: Install height adjustable columns into each cabinet using L-brackets and #10 x 3/4 screws



P4 #10 x 3/4" long  
Flat Head Screw  
#2 Phillips Drive  
4 places per bracket

P5 L-Bracket  
6 places per cabinet

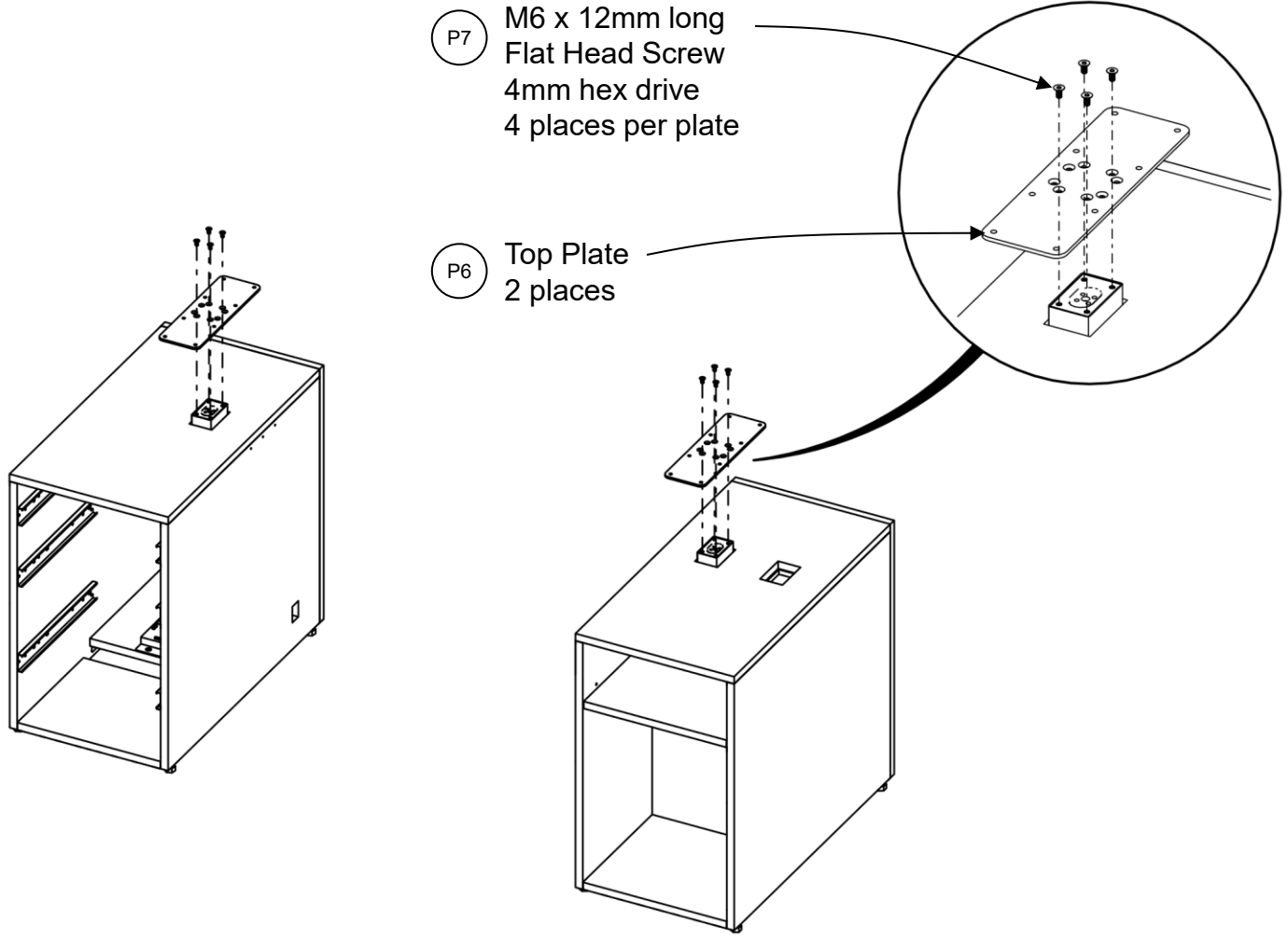
**AI**S

www.ais-inc.com

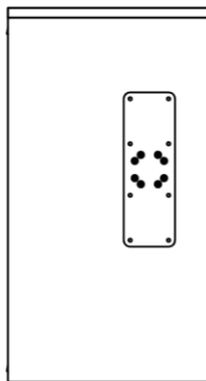
C-E2LFHDINSTALL Revision 10.17.2025

# Executive Floating Height Adjustable 2 Leg Desk Installation Instructions

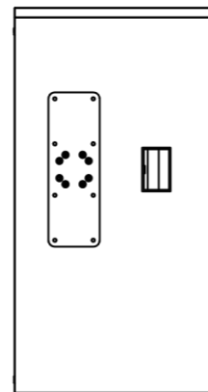
Step 6: Install top plates to height adjustable columns, using M6 x 12 flat head 4mm hex drive screws, orientate as shown.



Left Cabinet

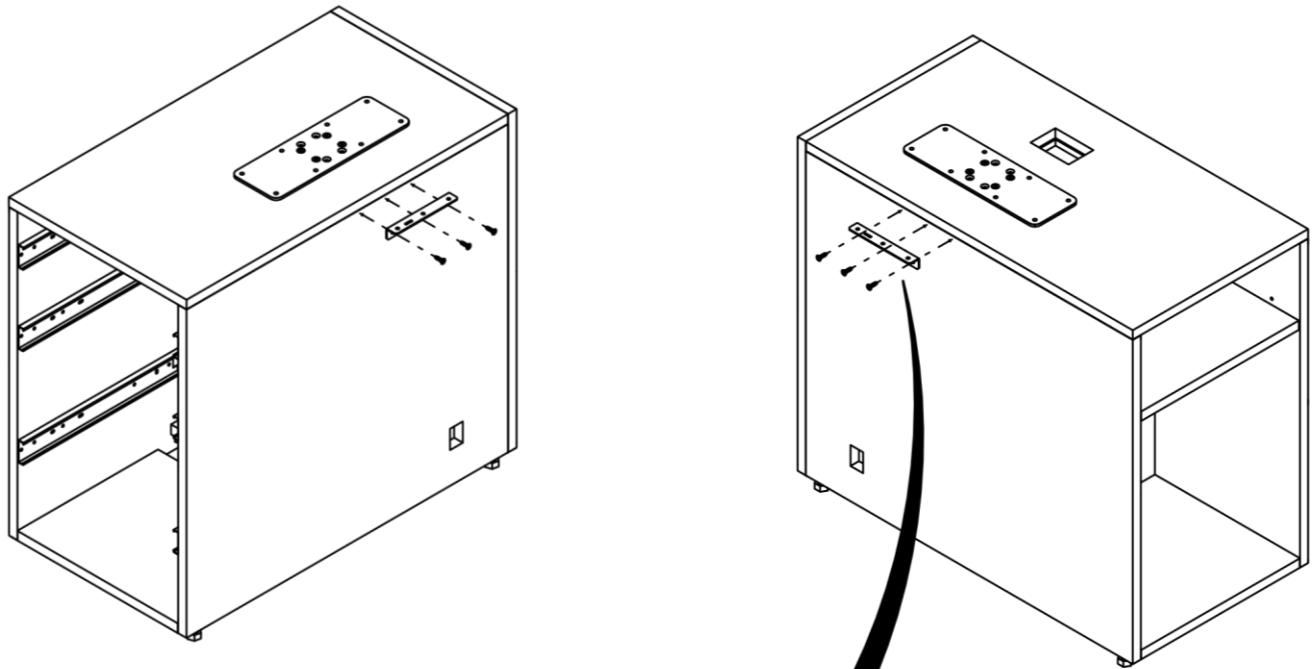


Right Cabinet



# Executive Floating Height Adjustable 2 Leg Desk Installation Instructions

Step 7: Install L-brackets to cabinets using #10 x 3/4" screws



P4

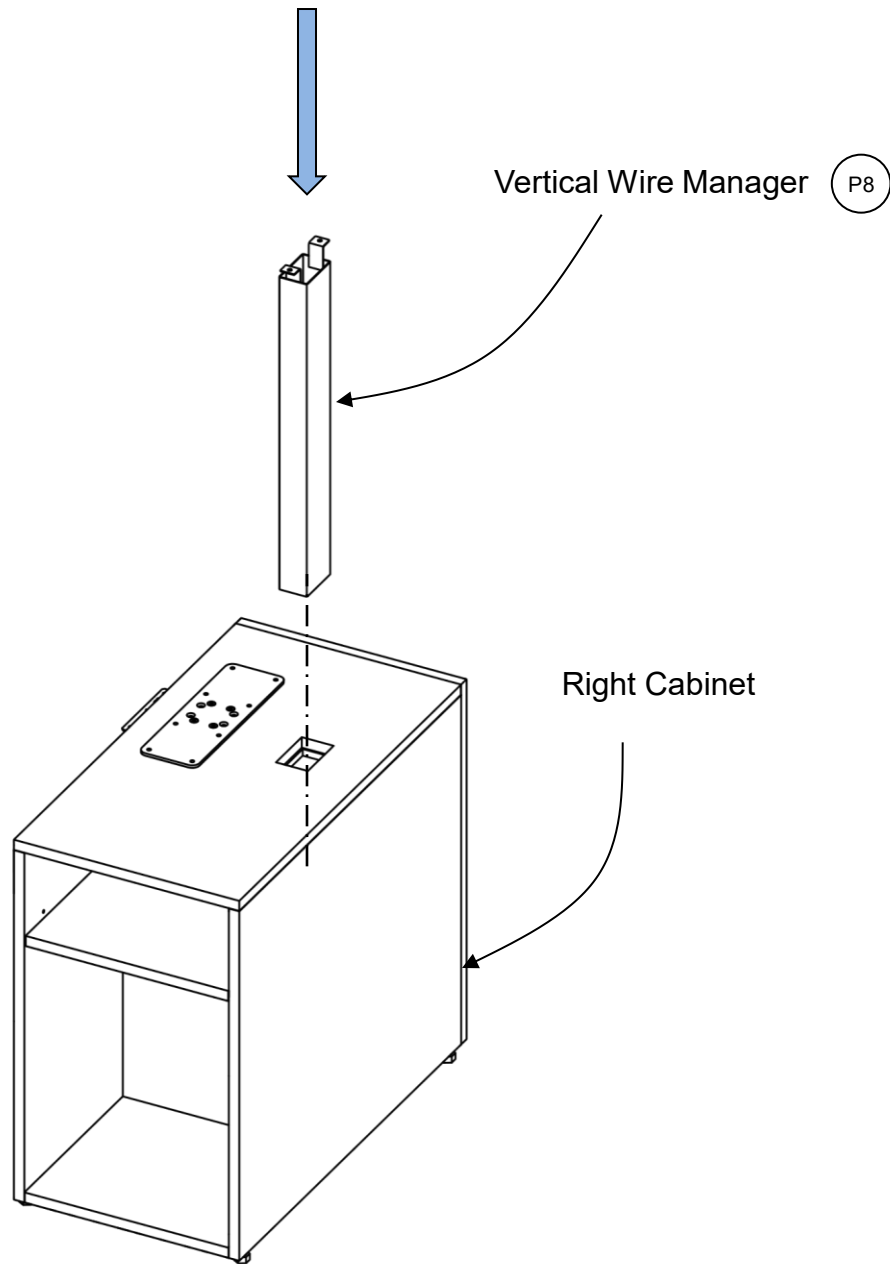
#10 x 3/4" long  
Flat Head Screw  
#2 Phillips Drive  
3 places per bracket

L-Bracket  
2 places

P5

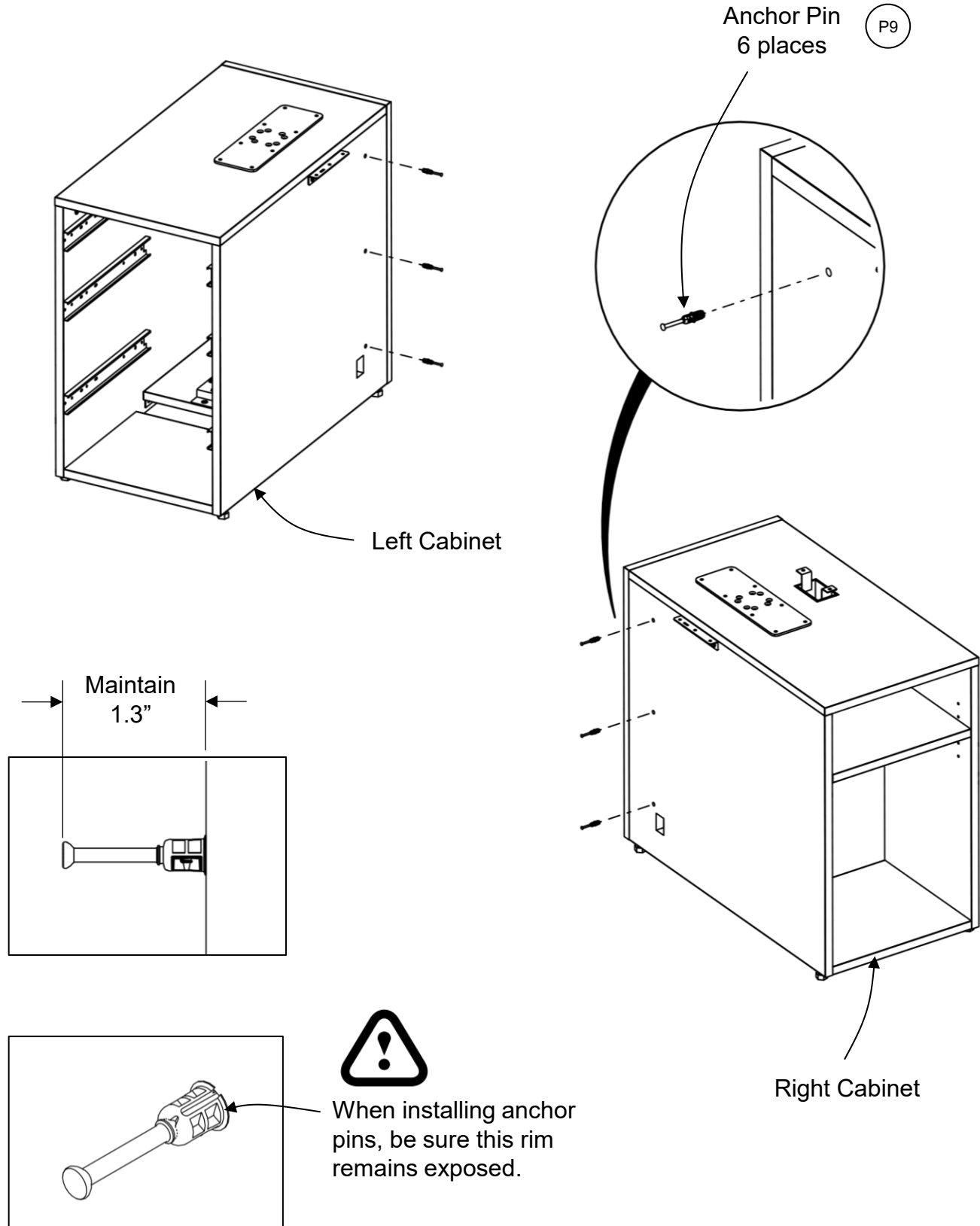
# Executive Floating Height Adjustable 2 Leg Desk Installation Instructions

Step 8: Temporary rest vertical wire manager into the right cabinet



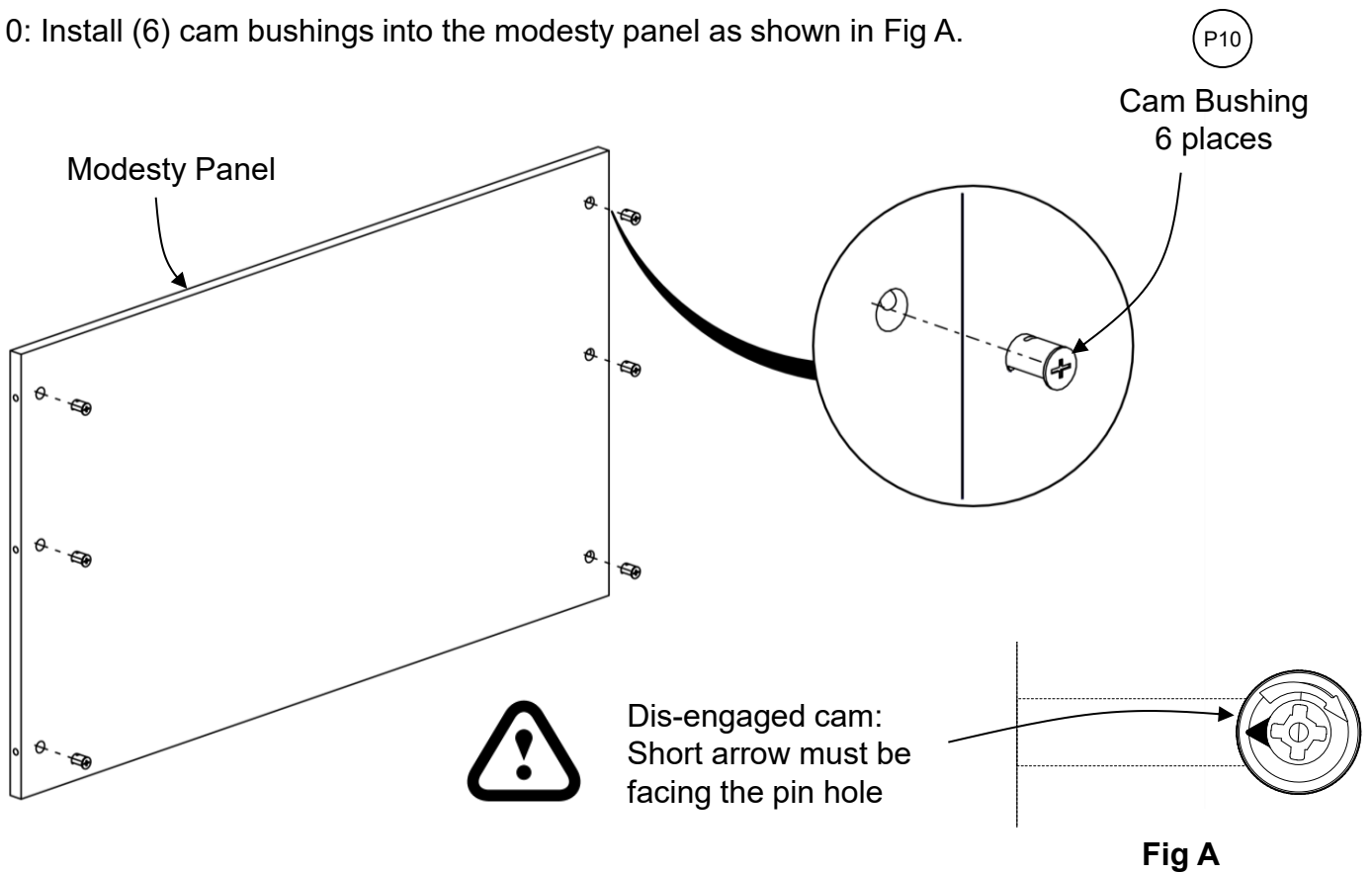
# Executive Floating Height Adjustable 2 Leg Desk Installation Instructions

Step 9: Install (3) anchor pins into each cabinet.

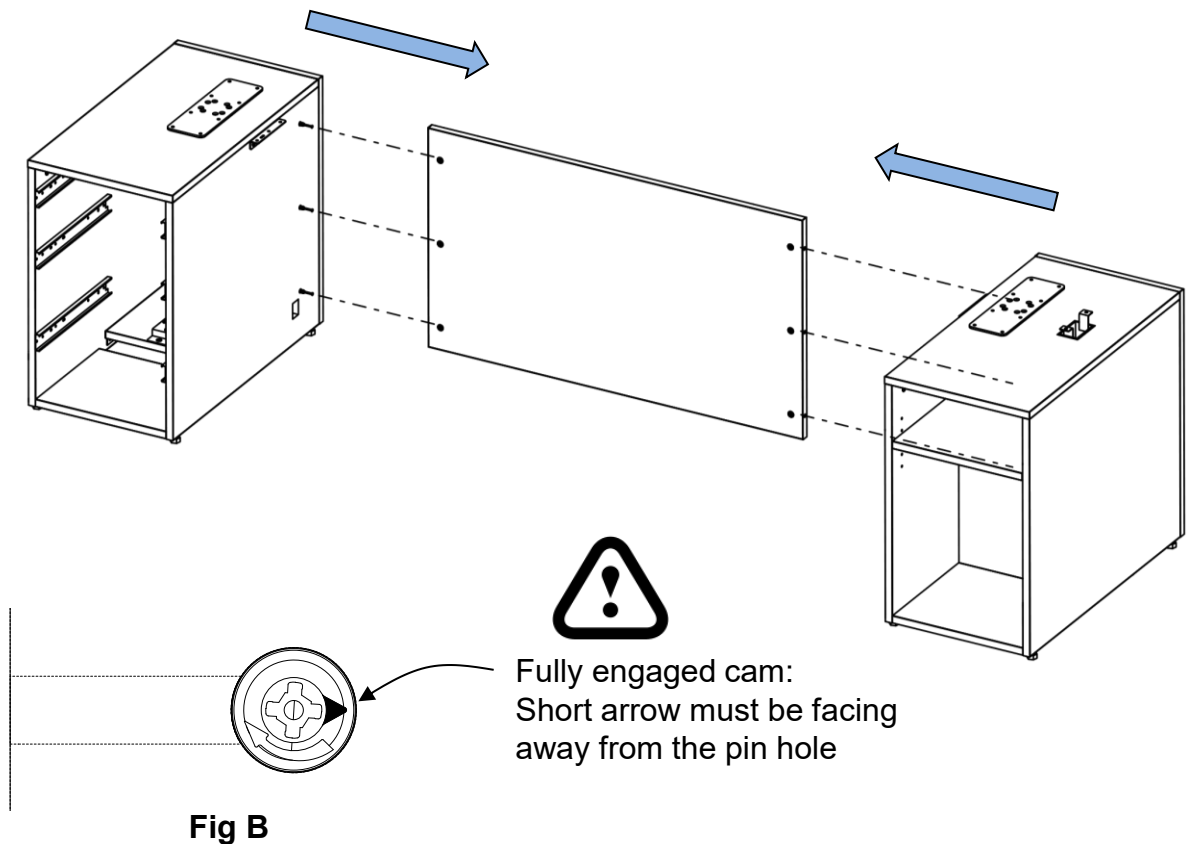


# Executive Floating Height Adjustable 2 Leg Desk Installation Instructions

Step 10: Install (6) cam bushings into the modesty panel as shown in Fig A.

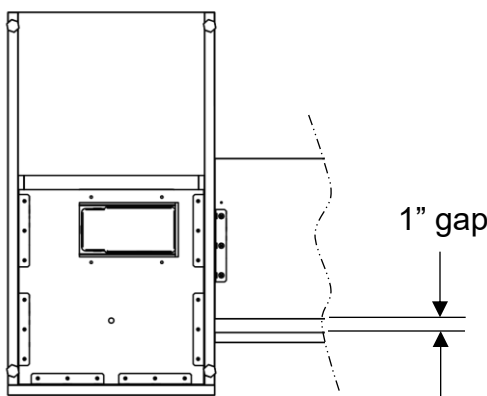
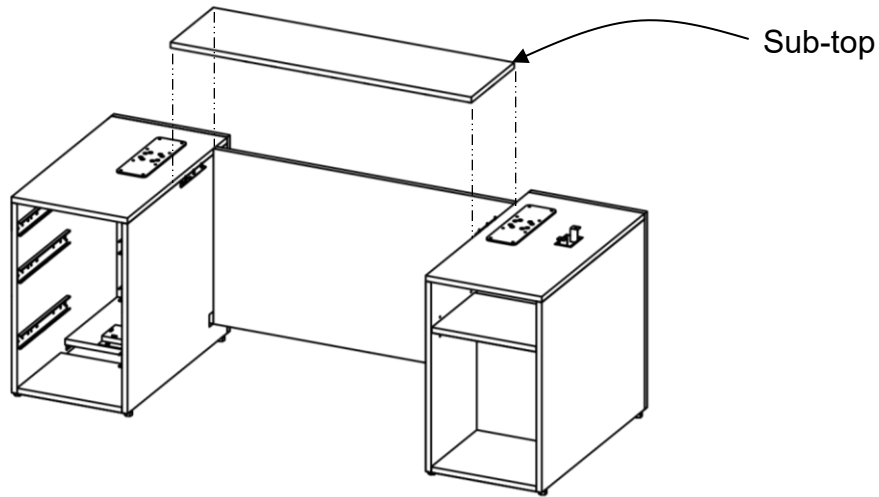


Step 11: Align modesty panel to anchor pins and tighten cam bushings as shown in Fig B.

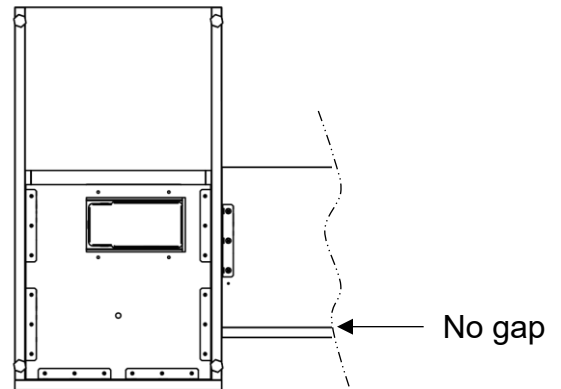


# Executive Floating Height Adjustable 2 Leg Desk Installation Instructions

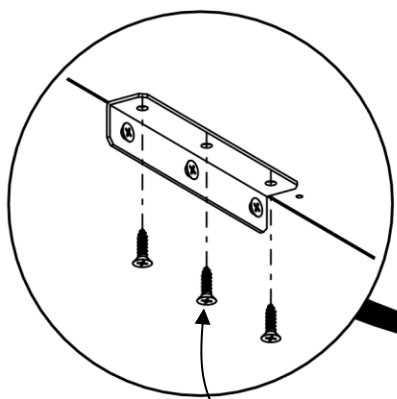
Step 12: Install sub-top to L-brackets using #10 x 3/4" screws.



For configurations requiring a suspended modesty

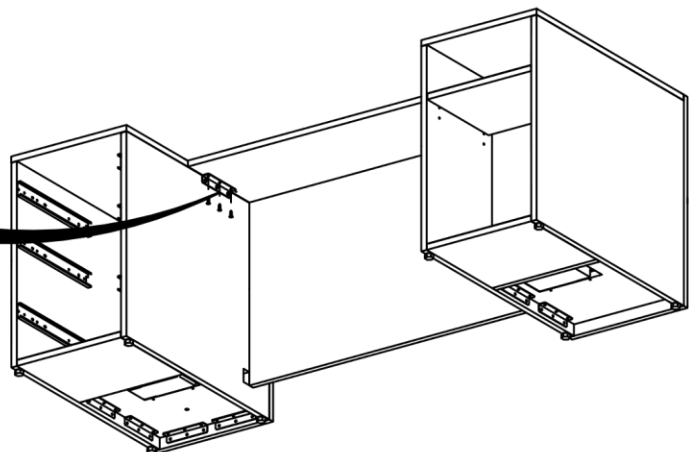


For configurations without a suspended modesty



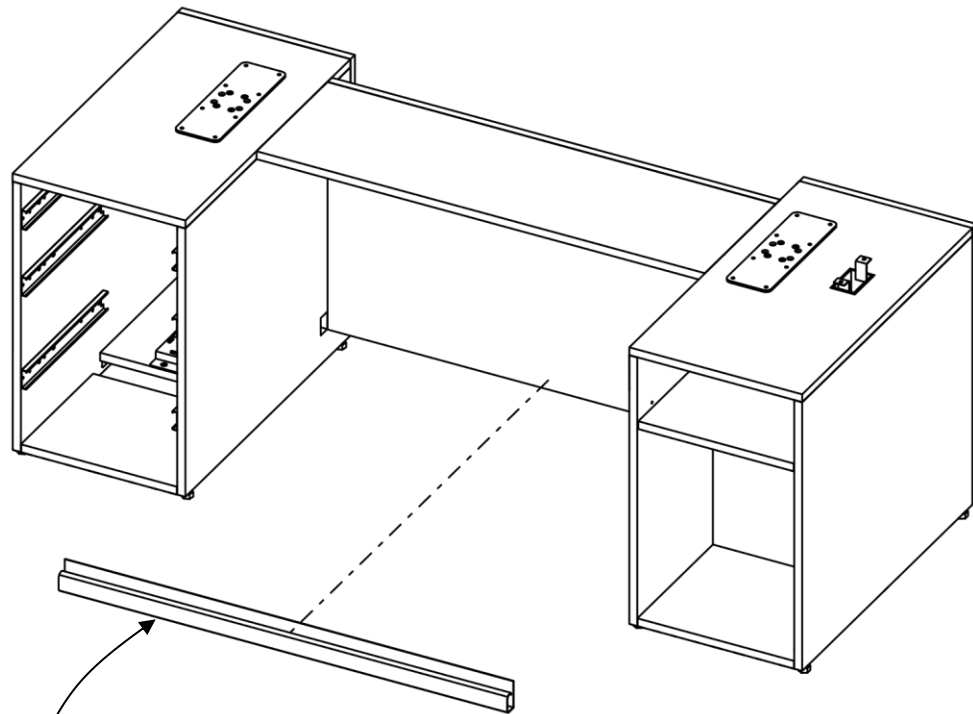
P4

#10 x 3/4" long  
Flat Head Screw  
#2 Phillips Drive  
2 places per bracket



# Executive Floating Height Adjustable 2 Leg Desk Installation Instructions

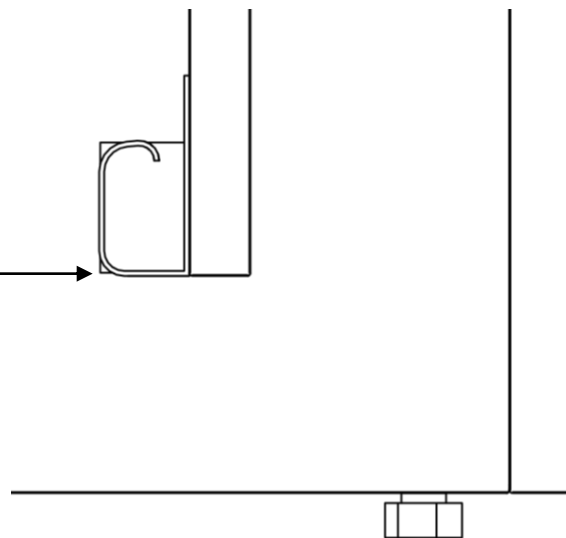
Step 13: Install J-channel wire manager using adhesive tape.



P11

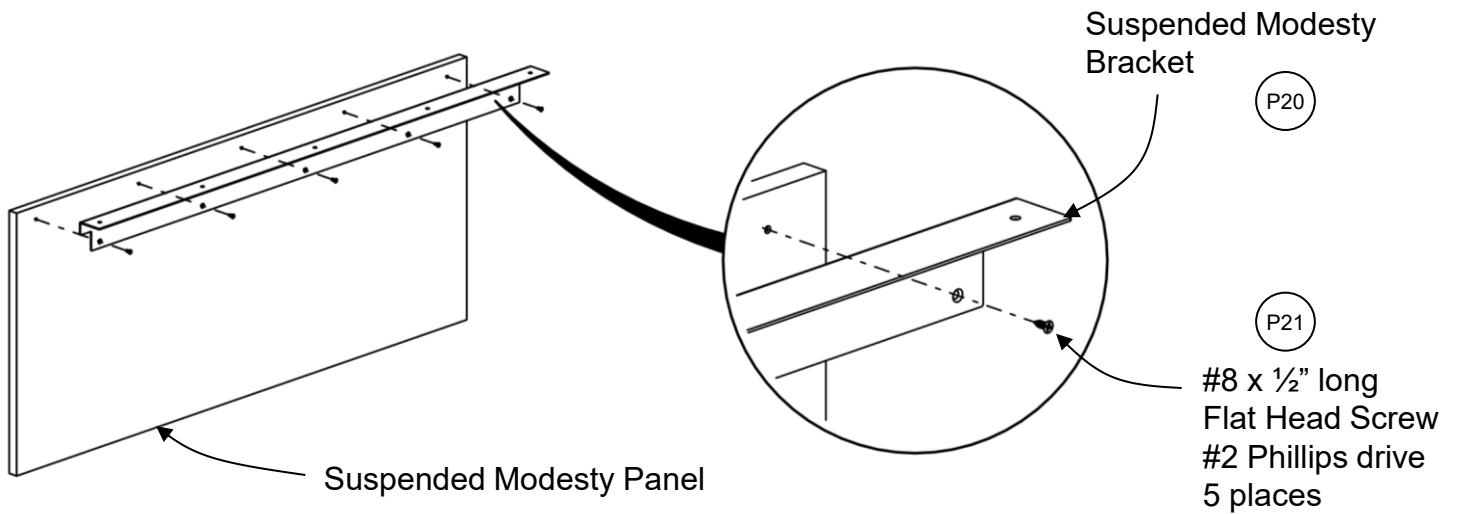
J-channel Wire Manager

Remove adhesive backing and align to the bottom of the modesty panel

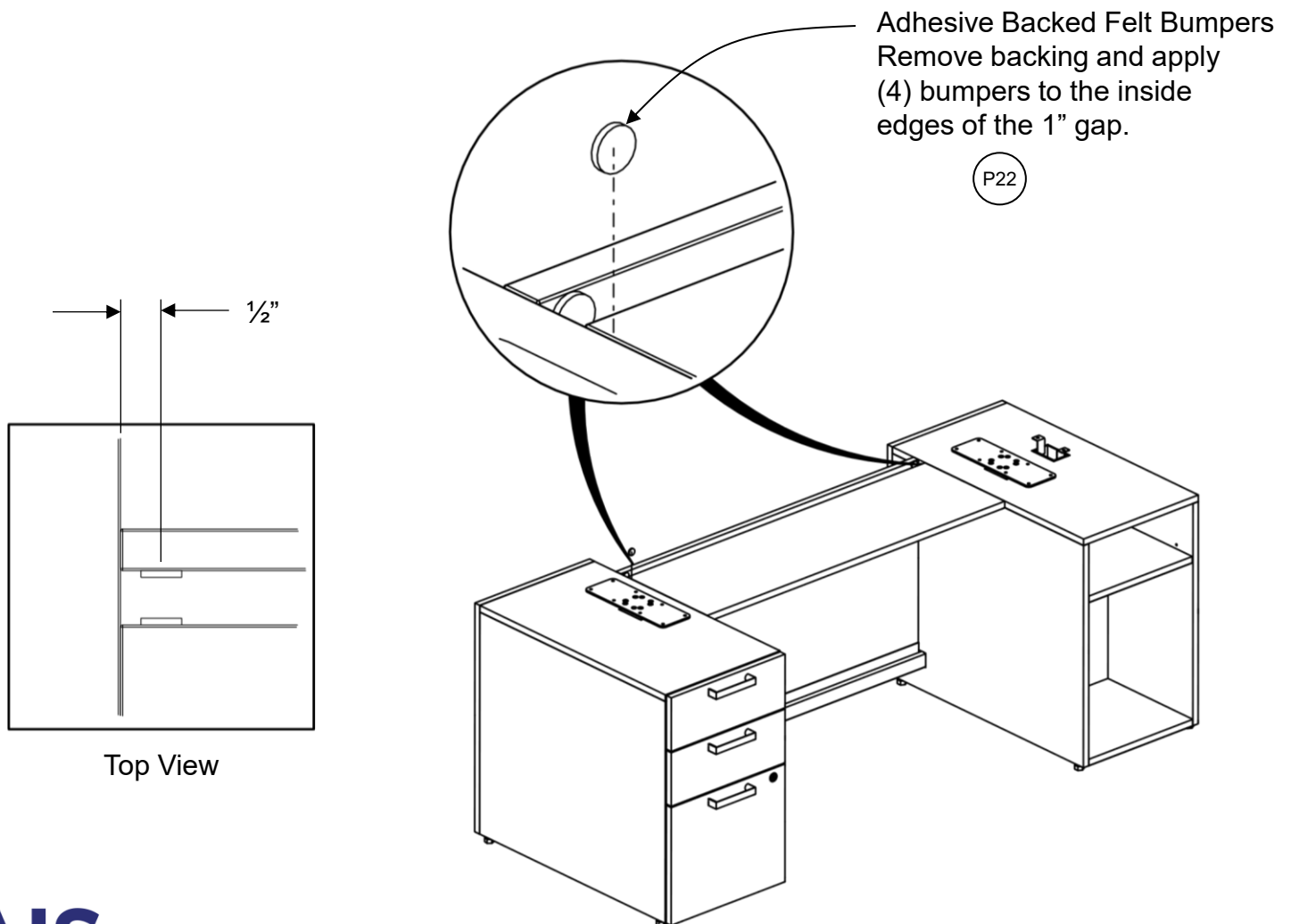


# Executive Floating Height Adjustable 2 Leg Desk Installation Instructions

Step 14a (optional – for suspended modesty only): Install suspended modesty bracket.



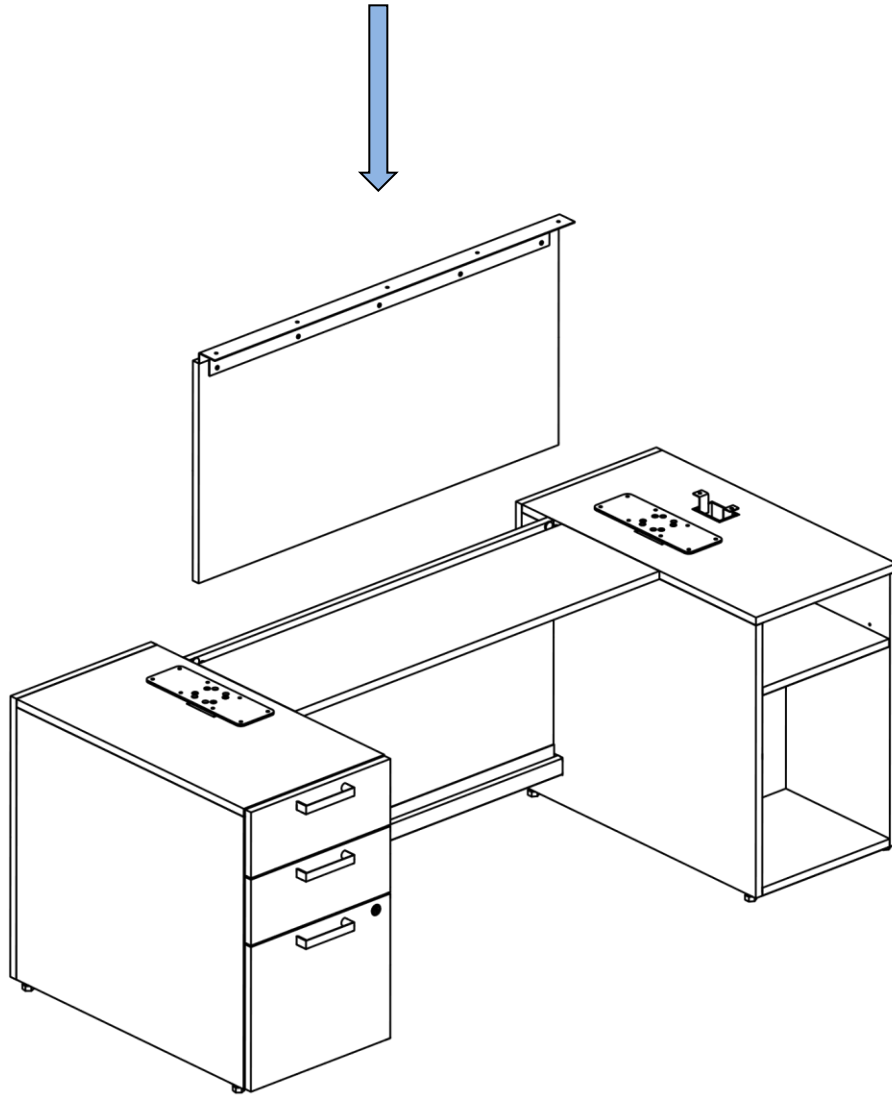
Step 14b (optional – for suspended modesty only): Install felt adhesive bumpers.



# Executive Floating Height Adjustable 2 Leg Desk Installation Instructions

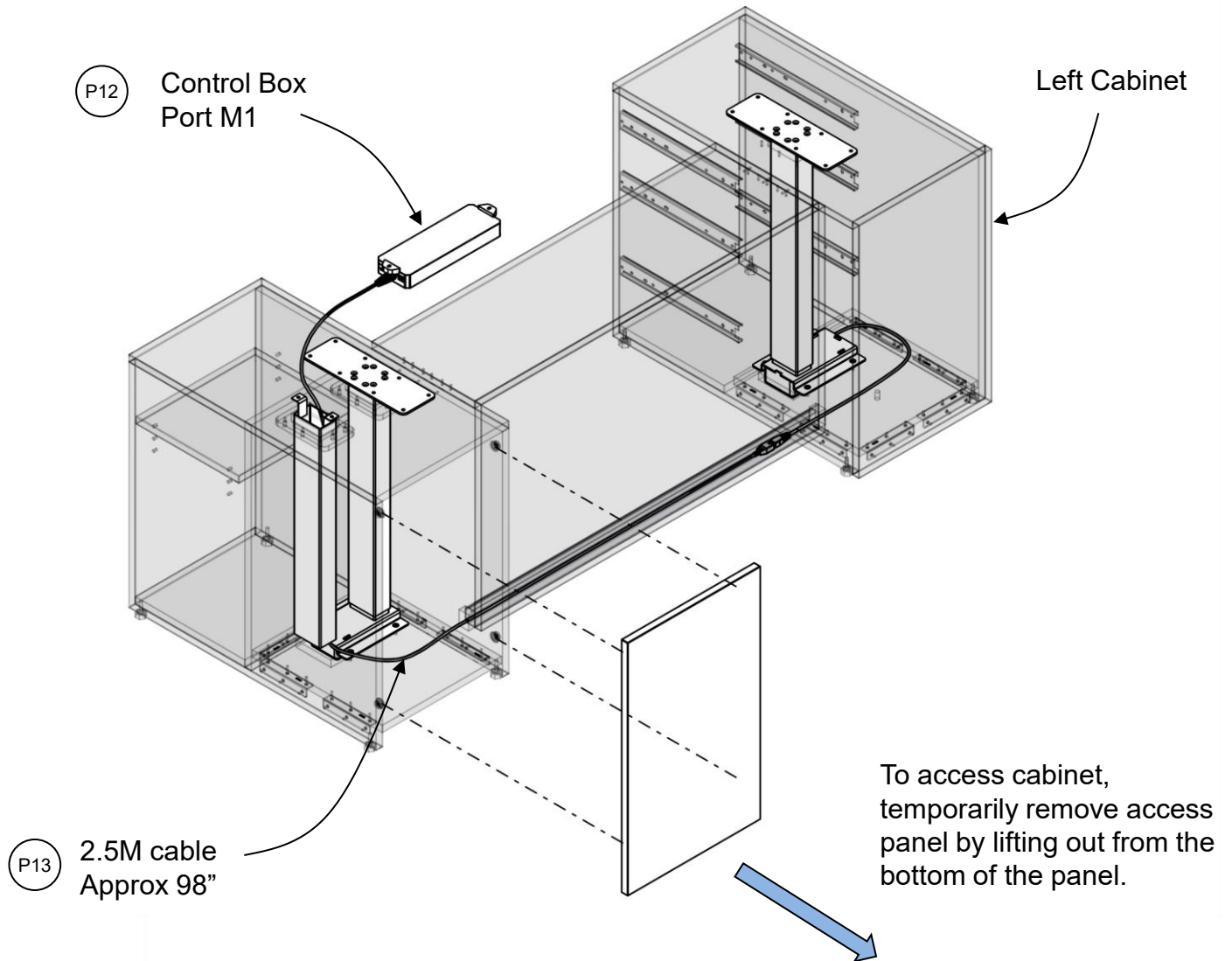
Step 14c (optional – for suspended modesty only): Position suspended modesty into the gap.

- Position suspended modesty into the 1” gap and continue to next step.
- Suspended modesty will be secured to worksurface once installed.

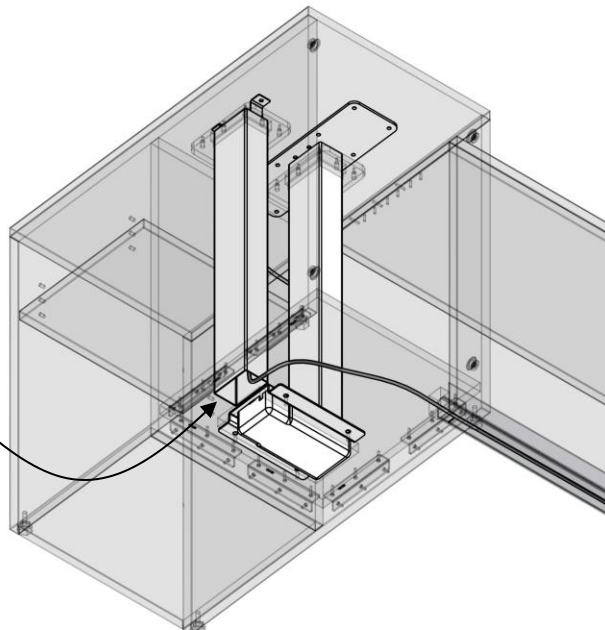


# Executive Floating Height Adjustable 2 Leg Desk Installation Instructions

Step 15: Connect the left cabinet to the control box port M1 using (1) 2.5M cable.

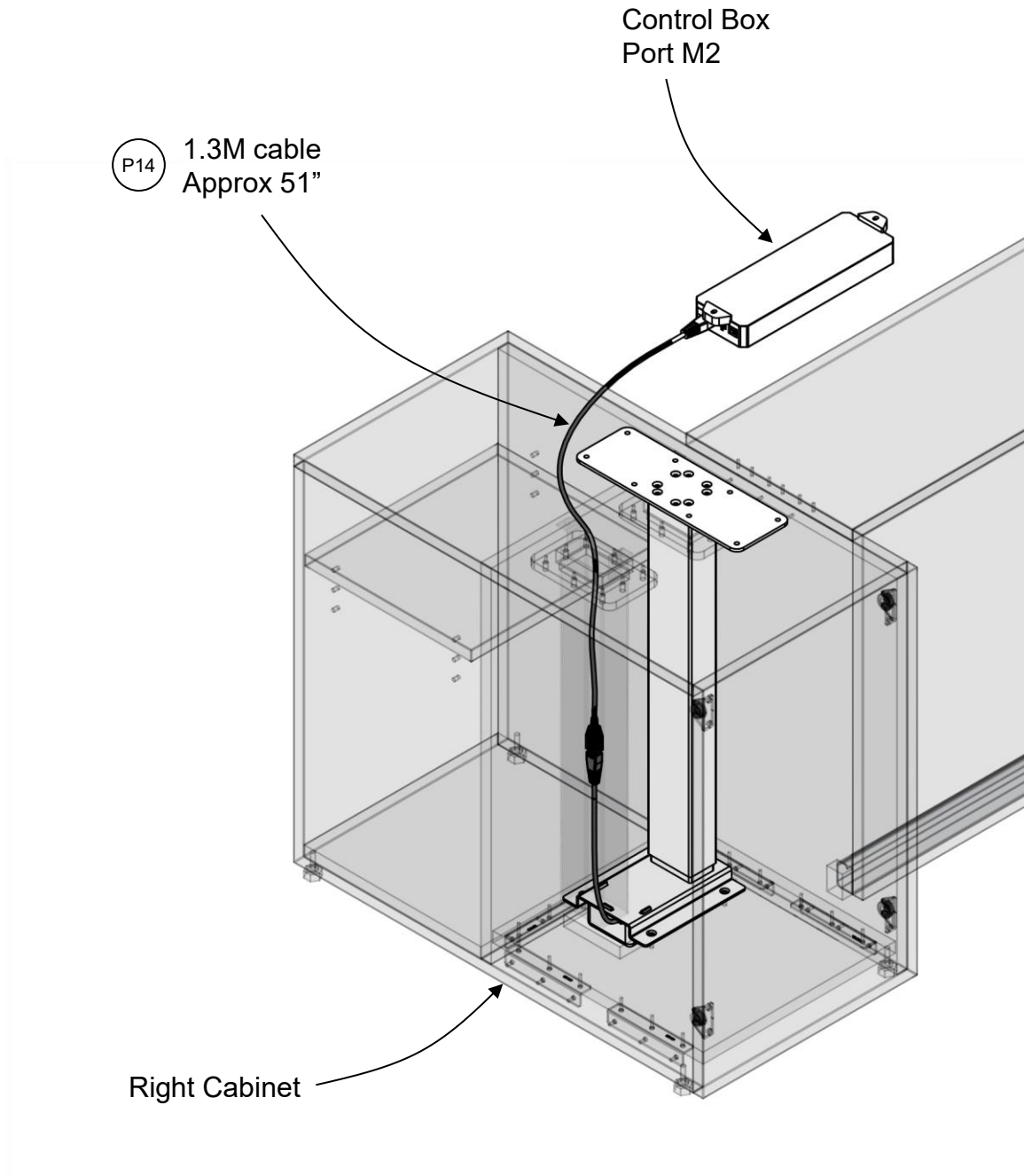


Feed Cables thru the wire manager column



# Executive Floating Height Adjustable 2 Leg Desk Installation Instructions

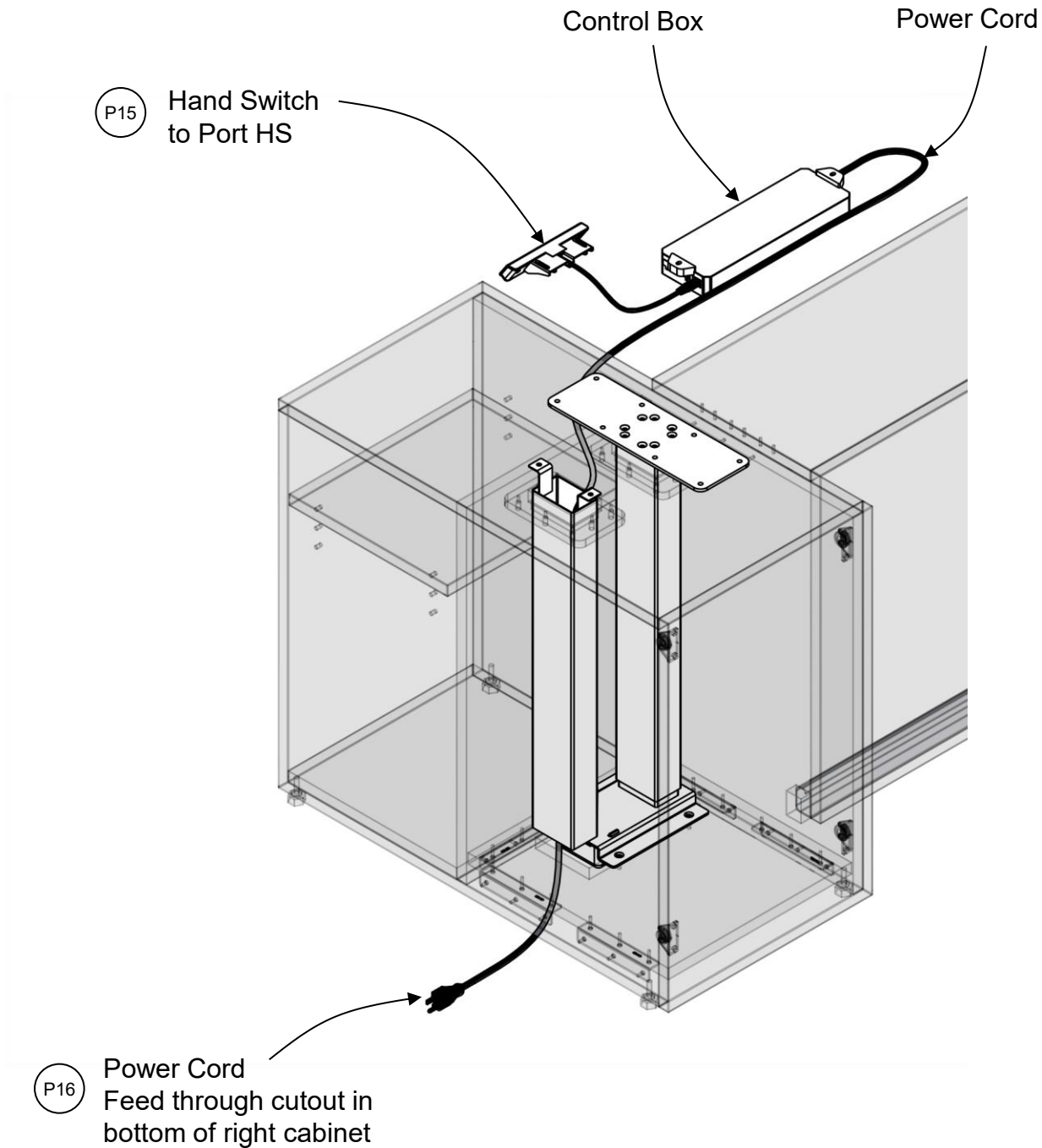
Step 16: Connect right cabinet to the control box port M2 using (1) 1.3M cable.



# Executive Floating Height Adjustable 2 Leg Desk Installation Instructions

Step 17: Connect the hand switch to the control box port HS.

Step 18: Connect the power cord to the control box. Run cord down through the vertical wire manager and out through the cutout in the bottom of the right cabinet.

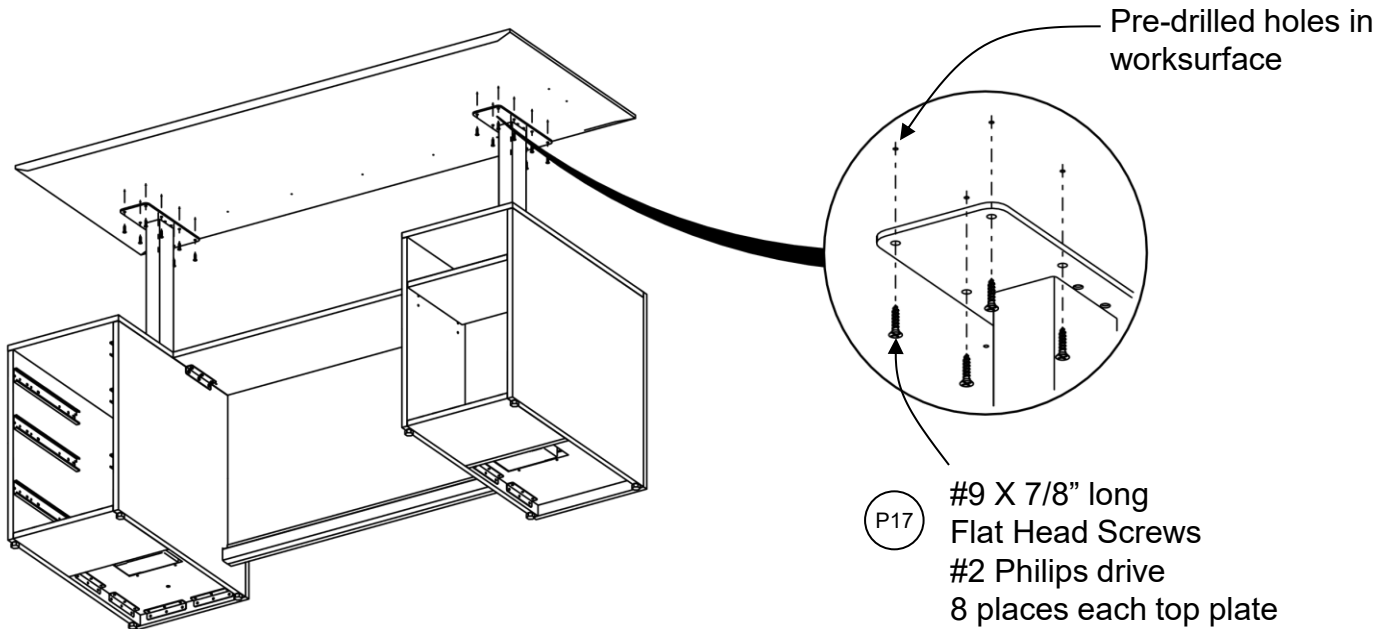


# Executive Floating Height Adjustable 2 Leg Desk Installation Instructions

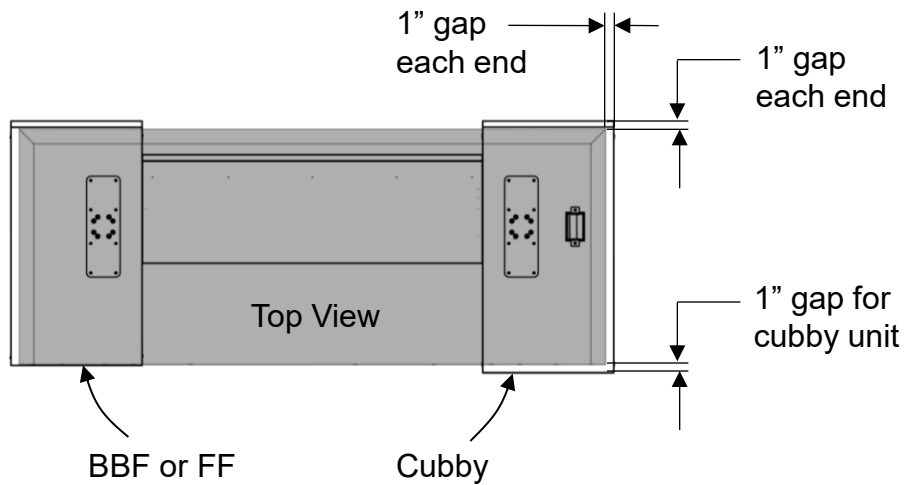
Step 19: Plug in the control box to an outlet and raise columns to the fully extended height.

**Note: Rest the control box on the base. The control box must be motionless to properly function.**

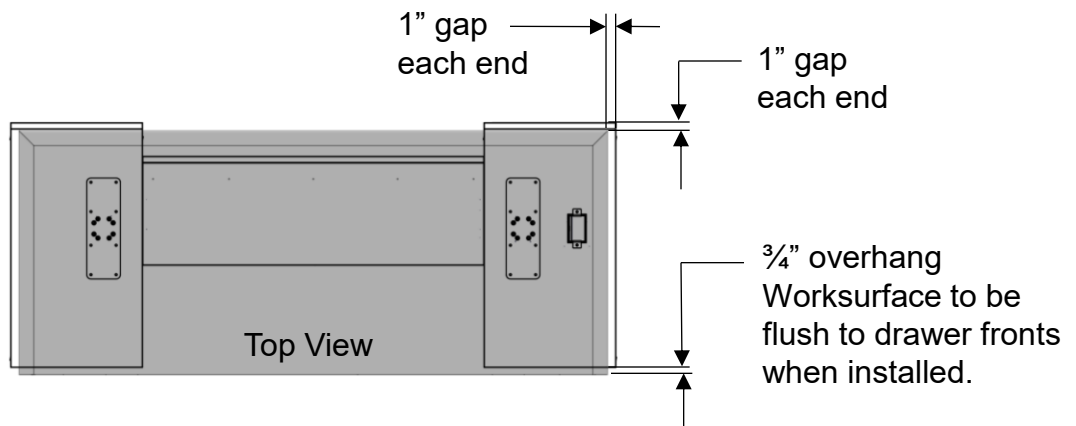
Step 20: Position worksurfaces onto the top mounting plates and secure using #9 x 7/8" screws.



For configurations with a cubby unit



For configurations with BBF/FF units

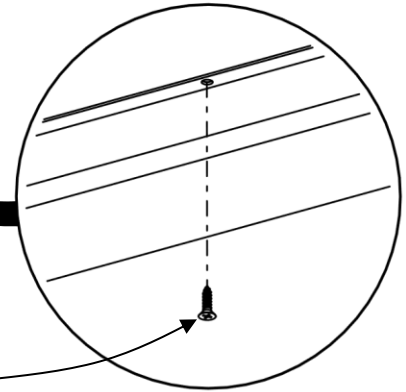
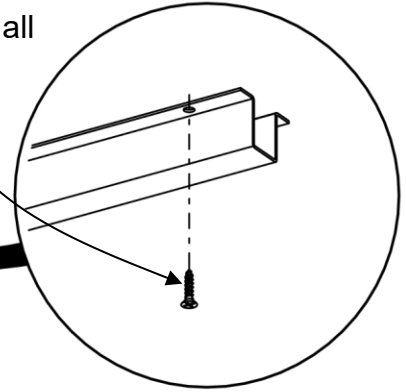
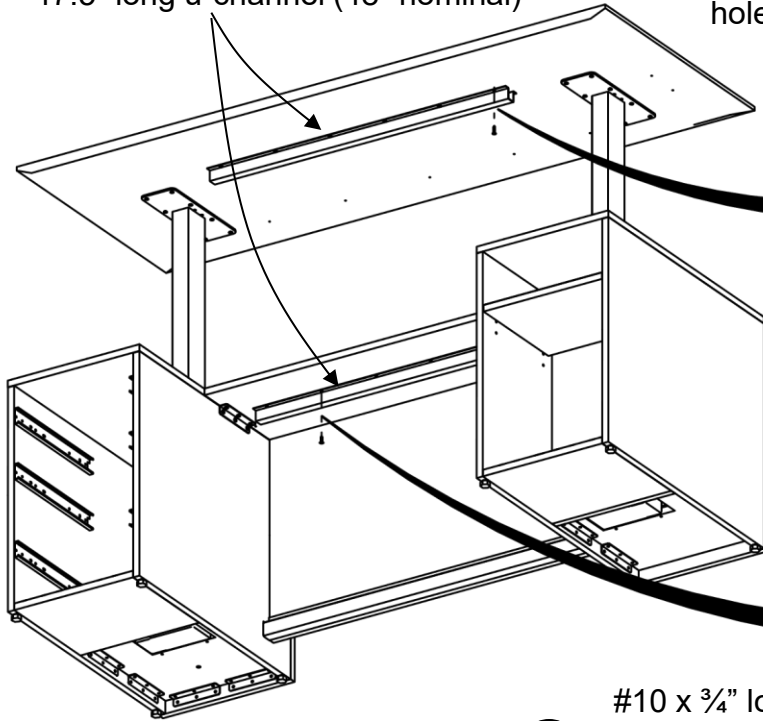


# Executive Floating Height Adjustable 2 Leg Desk Installation Instructions

Step 21: Install (1) U-Channel to the worksurface using #9 x 7/8" screws. Install (1) U-Channel to the sub-top using #10 x 3/4" screws.

U-Channel (2 places) P18  
 72w = 35.5" long u-channel (36" nominal)  
 78w = 41.5" long u-channel (42" nominal)  
 84w = 47.5" long u-channel (48" nominal)

P17 #9 x 7/8" long  
 Flat Head Screws  
 #2 Phillips drive  
 Install screws in all  
 hole locations

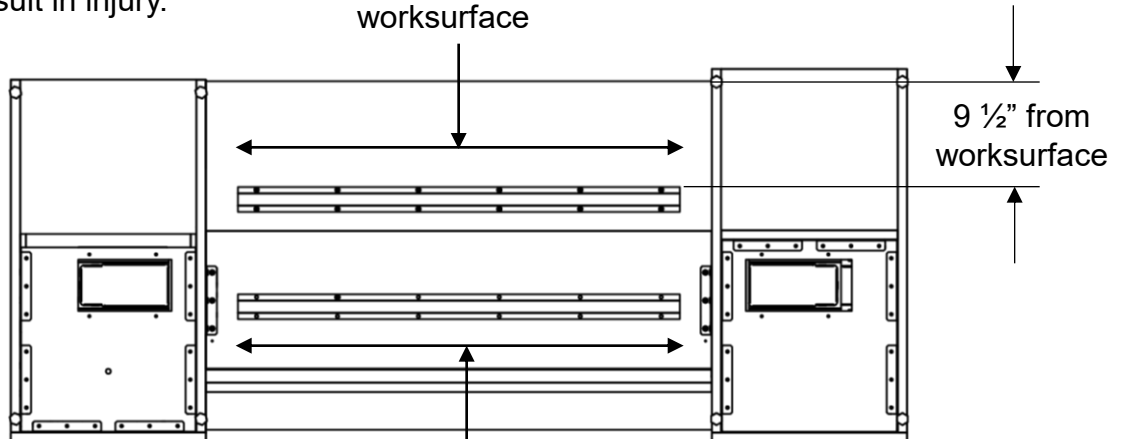


P4 #10 x 3/4" long  
 Flat Head Screw  
 #2 Phillips Drive  
 Install screws in all  
 hole locations



Note:  
 Failure to locate U-Channels  
 correctly could result in injury.

Center u-channel  
 horizontally along  
 worksurface



Center u-channel  
 horizontally and vertically  
 along sub-top

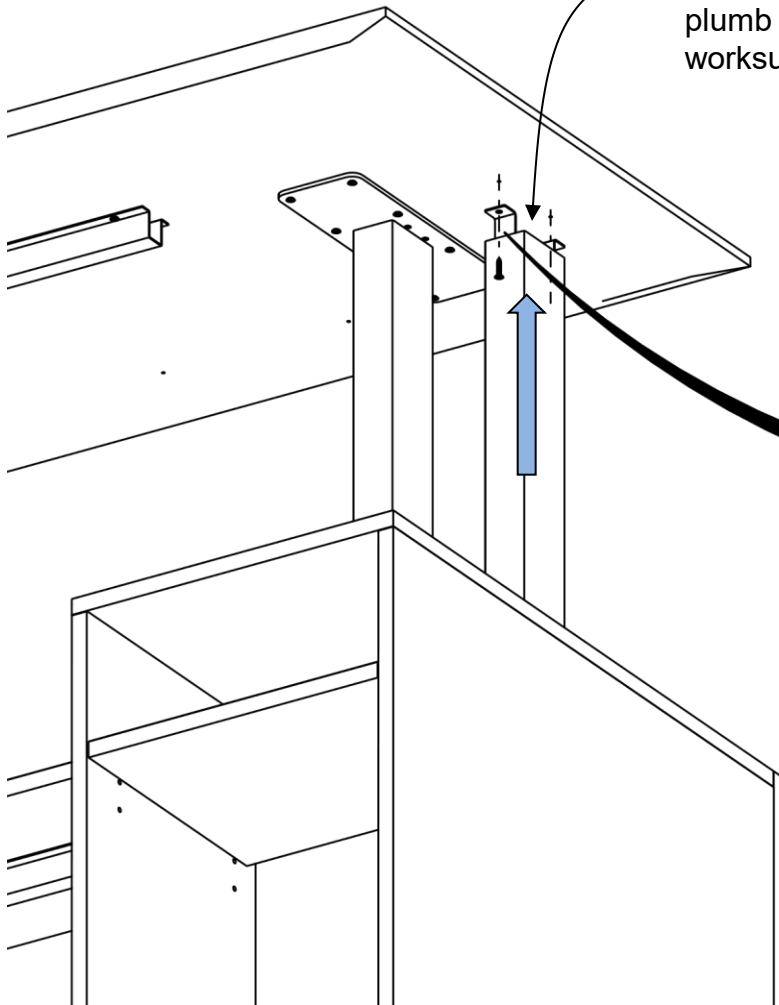
# Executive Floating Height Adjustable 2 Leg Desk Installation Instructions

Step 22: Lift vertical wire manager column and secure to the worksurface using #9 x 7/8" screws.

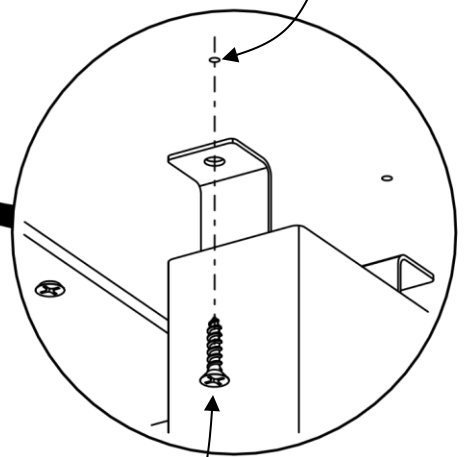
Note:  
Wires not shown for clarity.



Make sure vertical wire manager is level and plumb prior to securing to worksurface



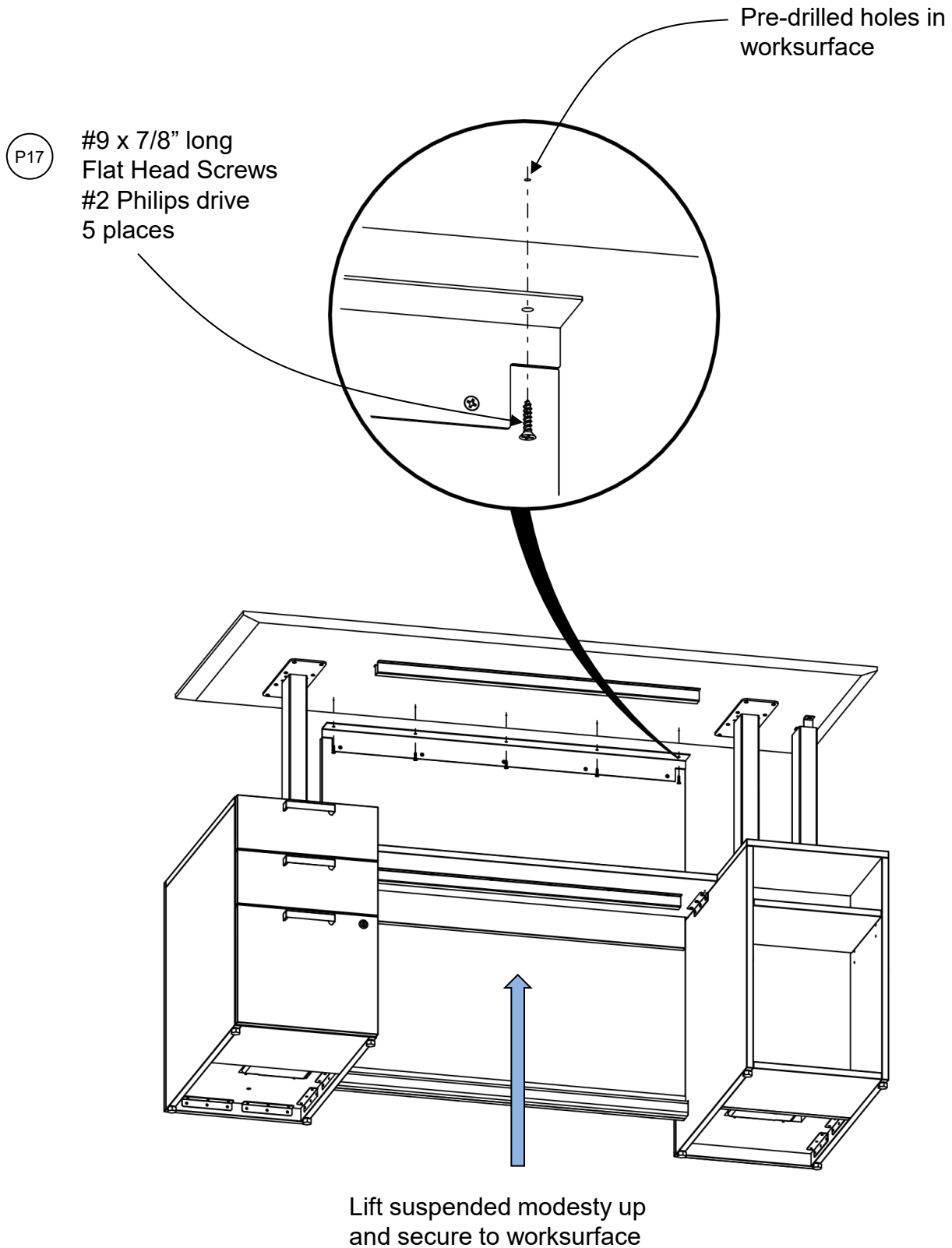
Pre-drilled holes in worksurface



P17 #9 x 7/8" long  
Flat Head Screws  
#2 Philips drive  
2 places

# Executive Floating Height Adjustable 2 Leg Desk Installation Instructions

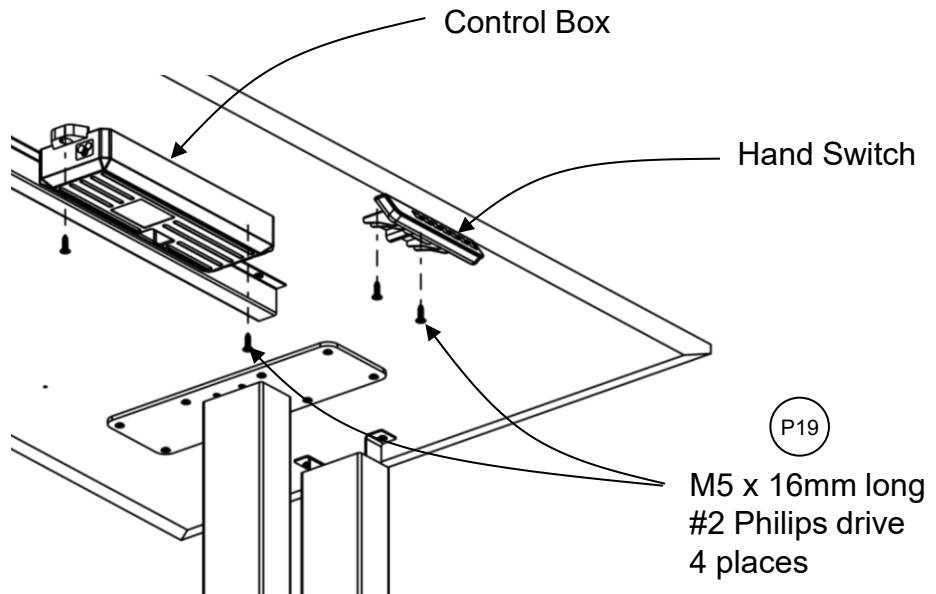
Step 23 (optional – for suspended modesty only): Lift suspended modesty and secure to the worksurface.



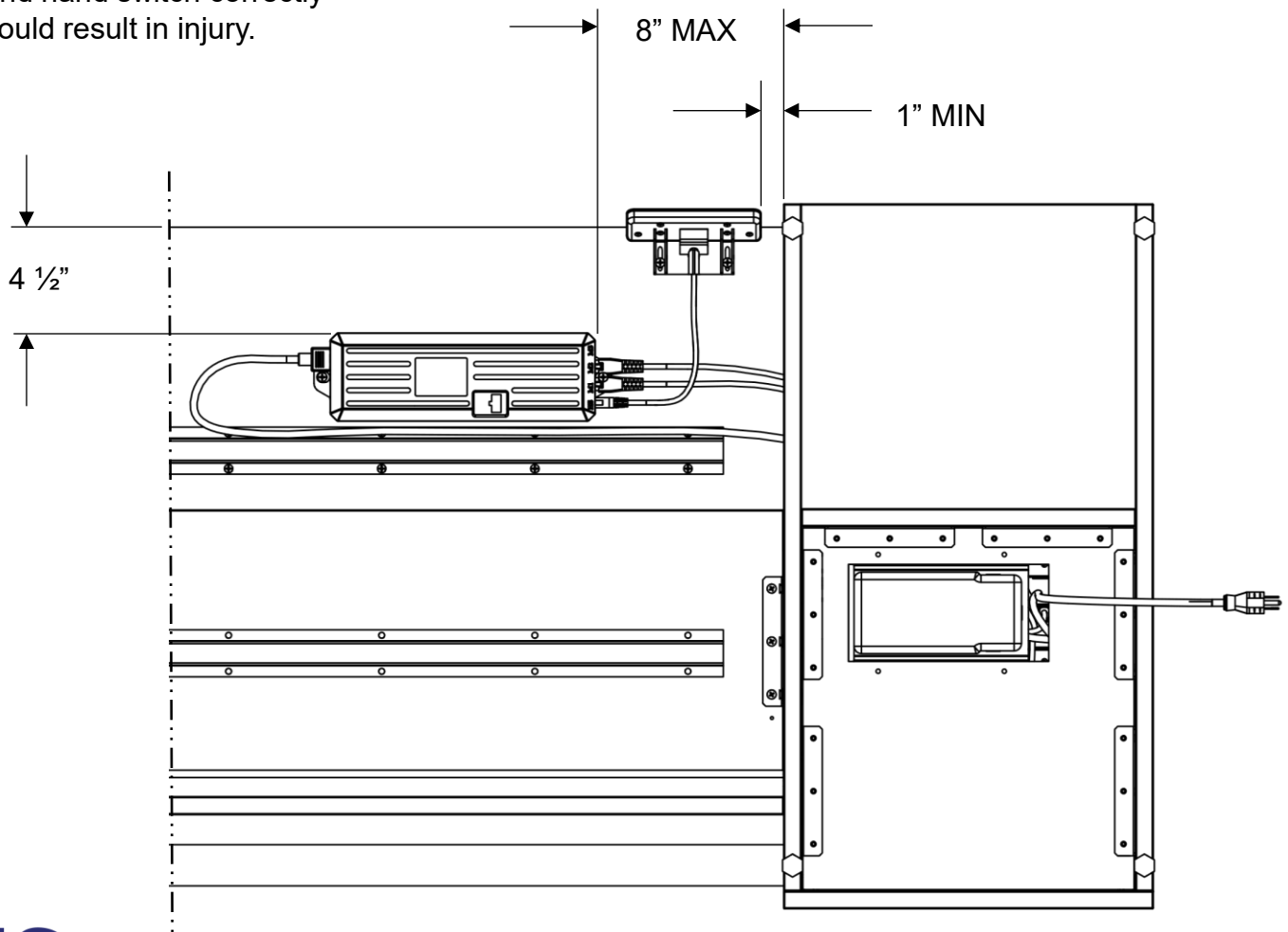
# Executive Floating Height Adjustable 2 Leg Desk Installation Instructions

Step 24: Secure the control box and the hand switch to the worksurface using M5 x 16mm screws.

Note:  
Wires not shown for clarity.



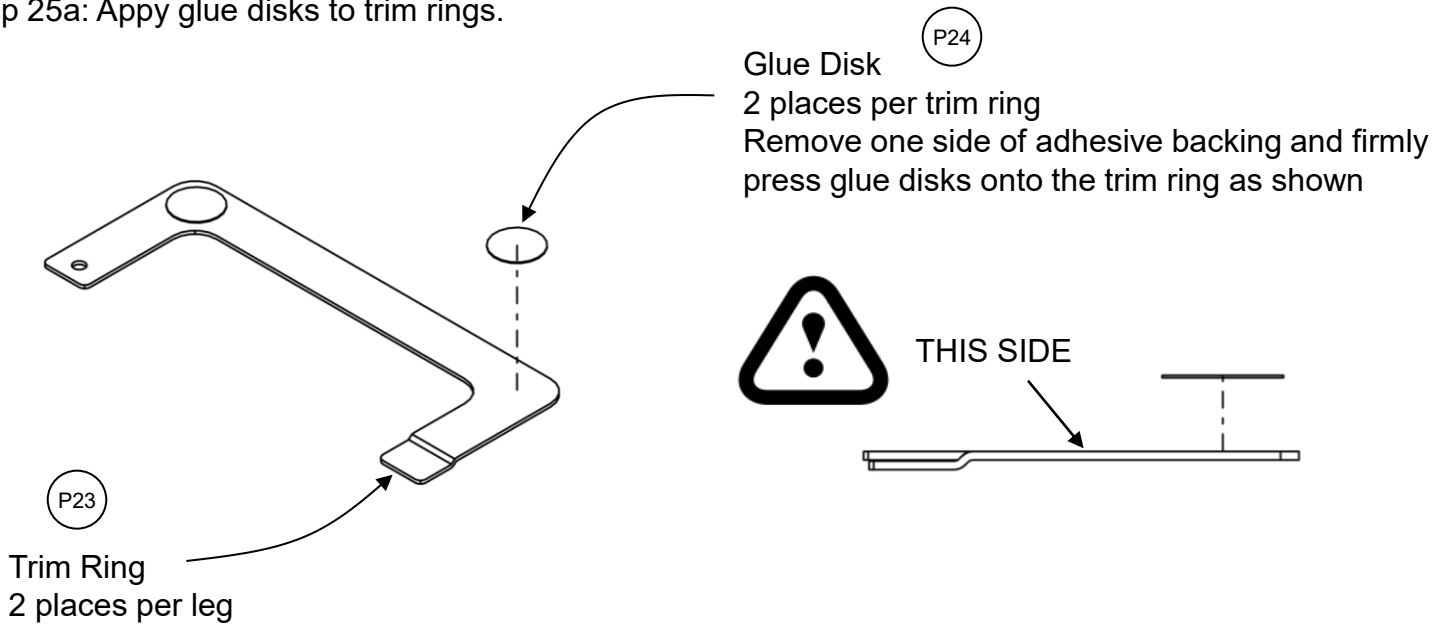
Note:  
Failure to locate control box  
and hand switch correctly  
could result in injury.



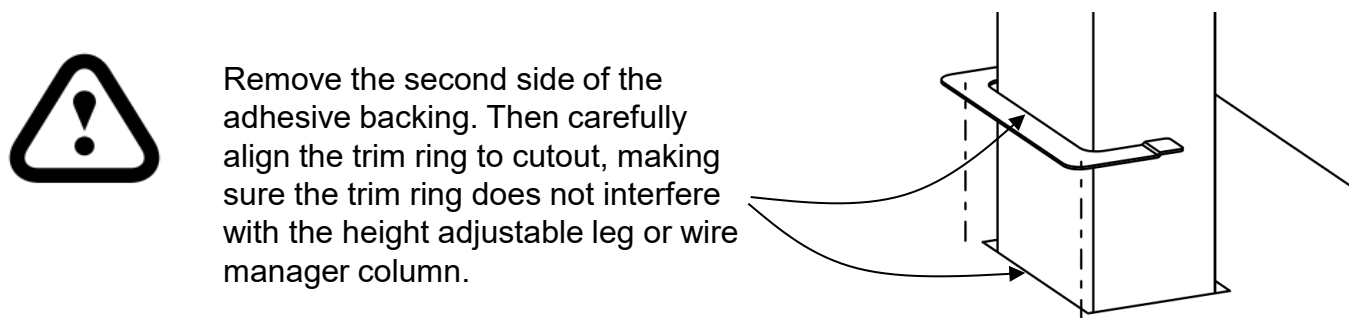
Bottom View

# Executive Floating Height Adjustable 2 Leg Desk Installation Instructions

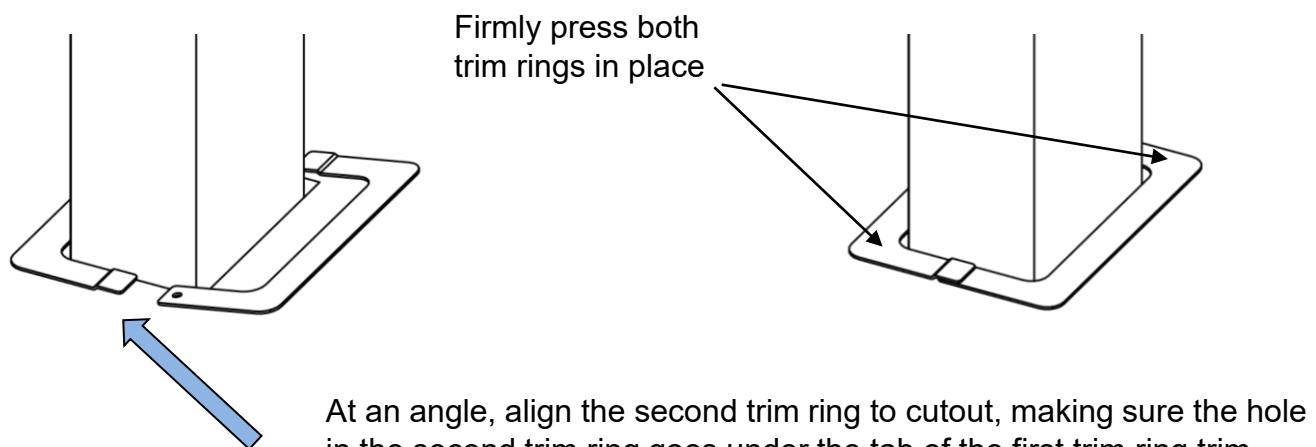
Step 25a: Apply glue disks to trim rings.



Step 25b: Install the first trim rings around height adjustable legs and wire manager column.

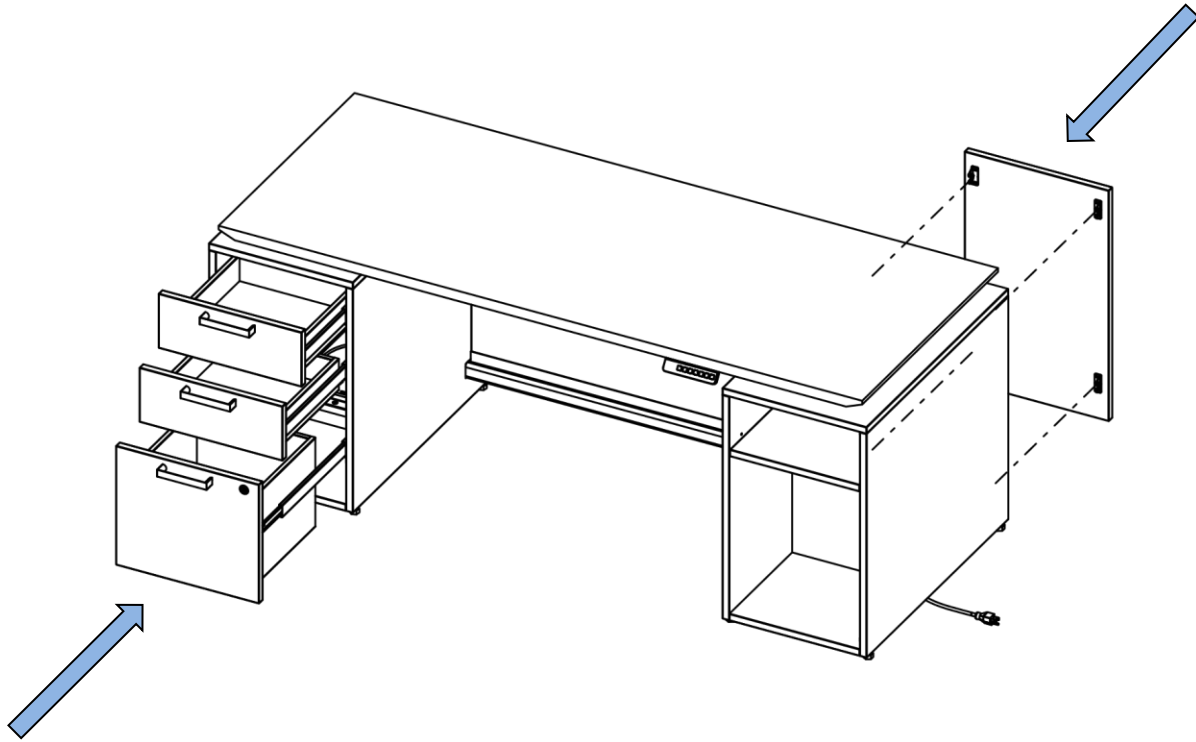


Step 25c: Install the second trim rings around height adjustable legs and wire manager column.



# Executive Floating Height Adjustable 2 Leg Desk Installation Instructions

Step 26: Reinstall all drawers and doors. Test unit for proper functionality.

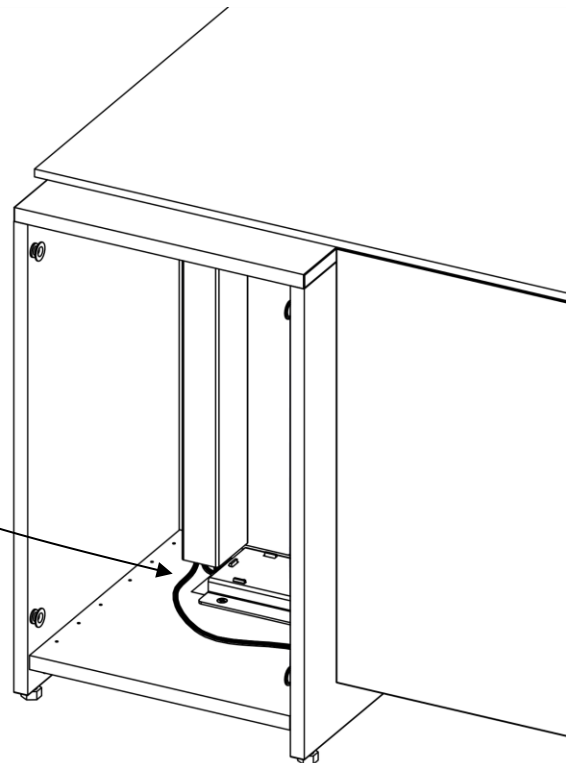


## Caution!!!

Wire manager cabinets are NOT to be used for storage purposes.



This area to remain free and clear for wires to bend freely and move with wire manager. **DO NOT PLACE ANYTHING UNDER WIRE MANAGER!**



# Executive Floating Height Adjustable 2 Leg Desk Installation Instructions

**\*\*\*Save these instructions\*\*\***