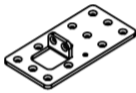






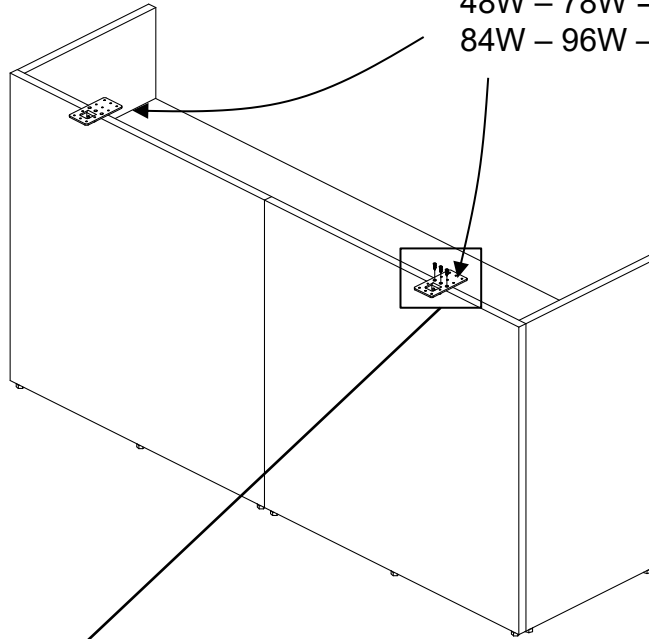
Corian Reception Installation

Date	Page No.	Description of change	Name
02/20/2024	1-4	Released.	S. Powers
04/04/2025	4	Add note: corner pieces over 42" ship in 2 pieces	P. Day
06/05/2025	4	Changed to #8 1 1/2" screw on Step 3	P. Day

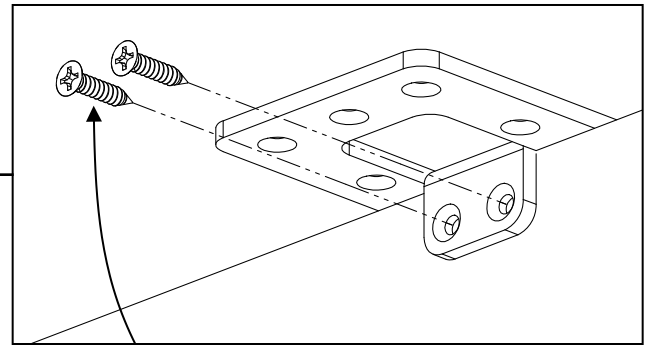
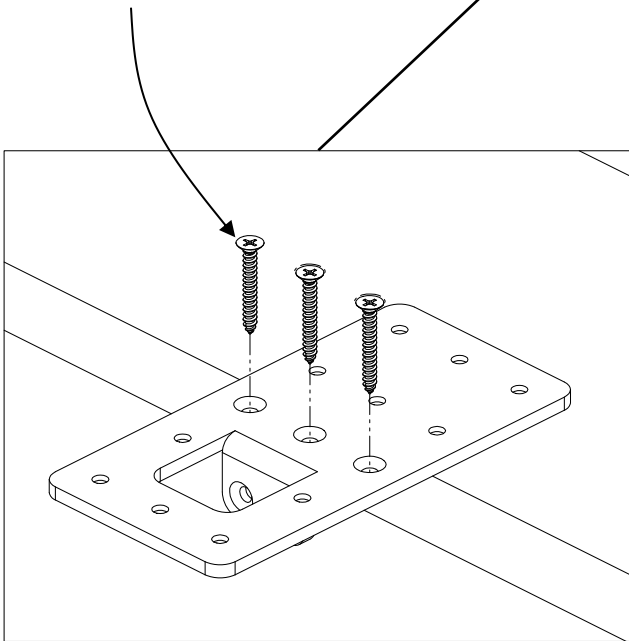
Item	Replacement Part number	Circle Sheet Part Number	Description	Image
P1	RC-RDCTP	RC-RDCTP	Worksurface Support Bracket	
P2	RH-01023068	RH-01023068	#8 X 1 1/4" Flat Head Wood Screw	
P3	RH-QS0978	RH-QS0978	#9 X 7/8" Flat Head Wood Screw	
P4	RH-WSFP834	RH-WSFP834	#8 x 3/4" Flat Head Wood Screw	
P5	RH-90065A203	RH-90065A203	#8 x 1 1/2" Flat Head Wood Screw	

Step 1: Install the worksurface support bracket as shown.

(P1) Worksurface Support Bracket
24W – 42W = Qty 2
48W – 78W = Qty 3
84W – 96W = Qty 4

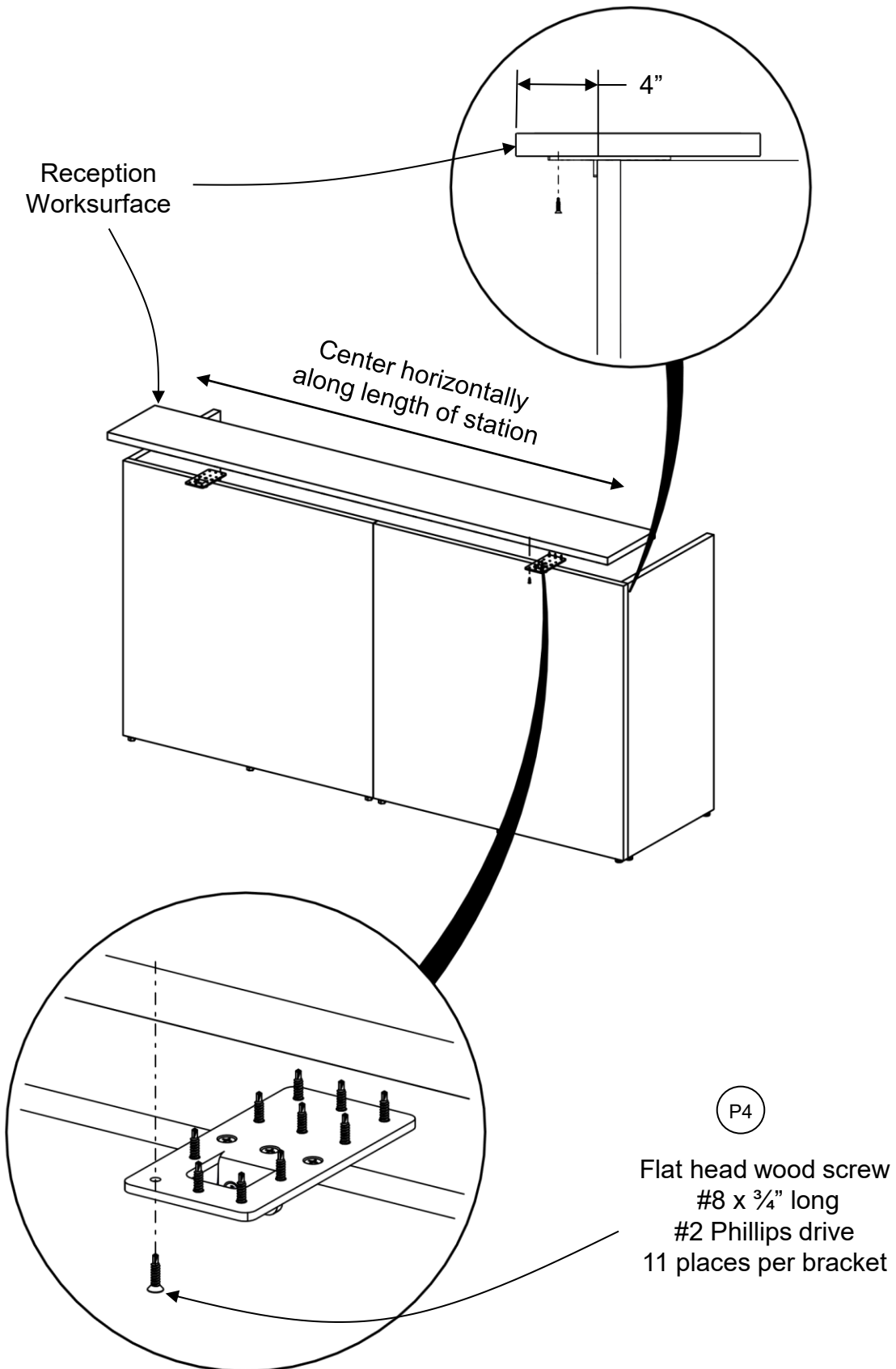


(P2) Flat head wood screw
#8 x 1 1/4" long
#2 Phillips drive
3 places per bracket



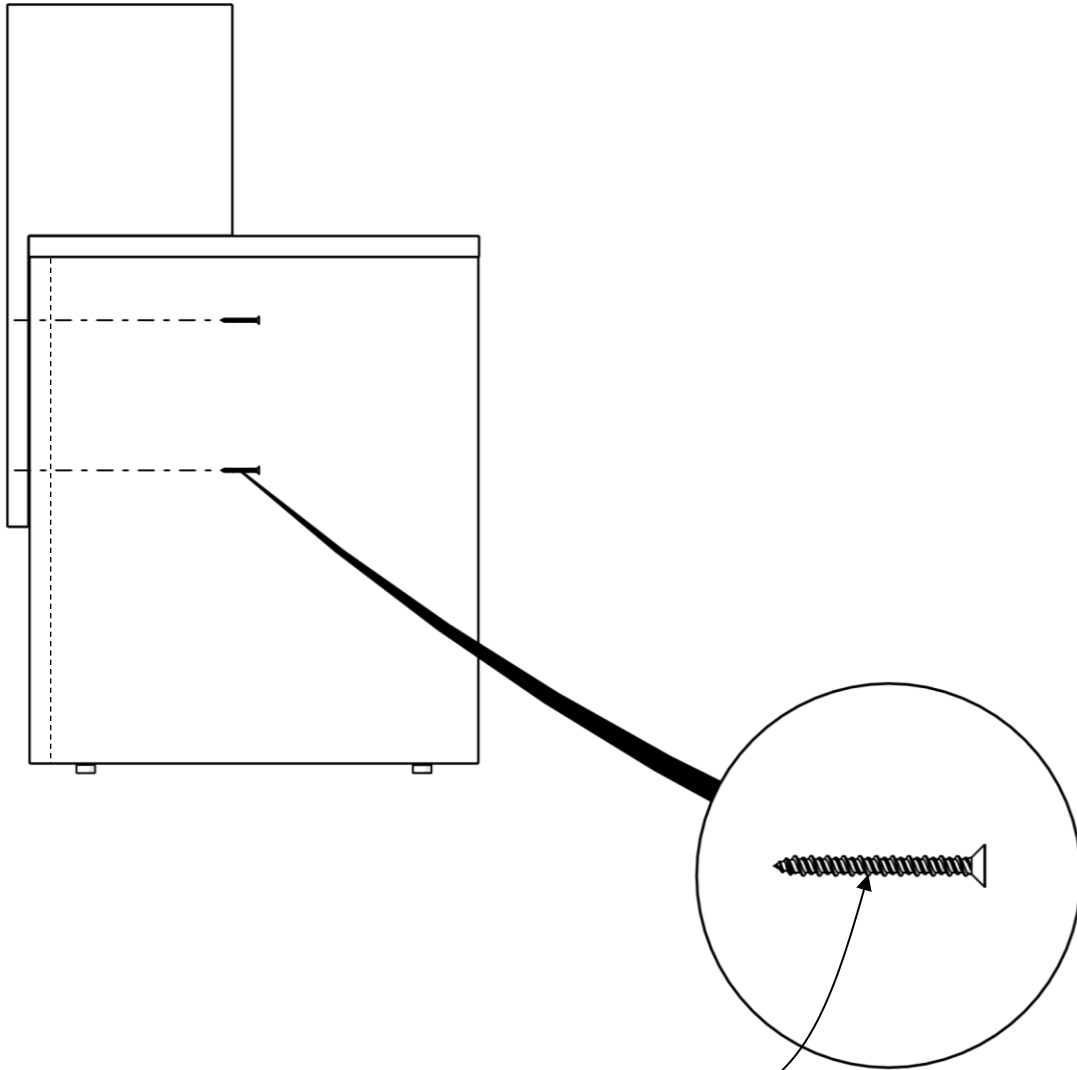
(P3) Flat head wood screw
#9 x 7/8 long
#2 Phillips drive
2 places per bracket

Step 2: Align the countertop to the desk shell and secure in place using #9 x 7/8" screws.



Step 3: Apply double sided tape to the bottom of the stack-on and position on the desk shell as desired. Then, secure in place using #8 X 1 ½” screws.

Corner units over 42” on both sides ship in 2 pieces; matching glue included. Two-piece installation must be coordinated with a trained Corian installer.



- (P5) Flat Head Drilling Screw
#8 x 1 ½” long
#2 Philips drive
4 places (2 top, 2 bottom per 3 feet)
Note: Pre-drilled holes required