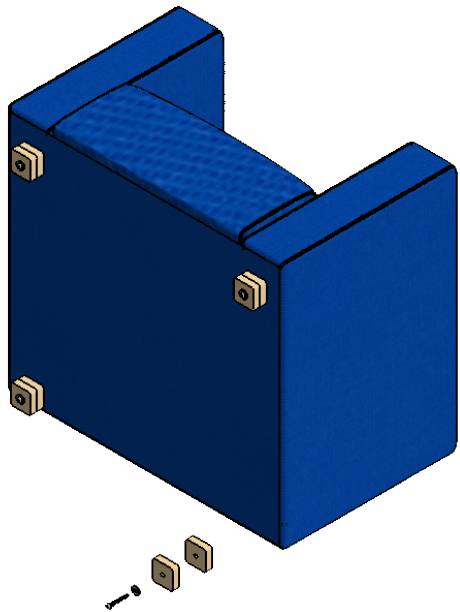


APPLIES TO MODELS:

LCHC1
LCHC2
LCHC3

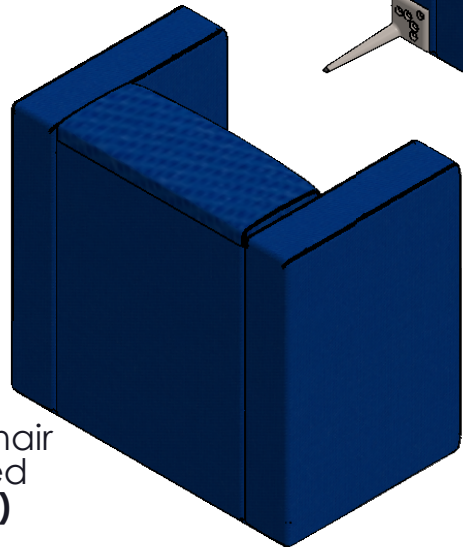
AIS www.ais-inc.com

COLLECTION: LCHC ASSEMBLY DRAWING			
DRAWING NUMBER LCHC1-AD		1 OF 2	DATE 6/4/2024
DRAWN BY OND	CHECKED BY ---	SCALE 1:8	REV -



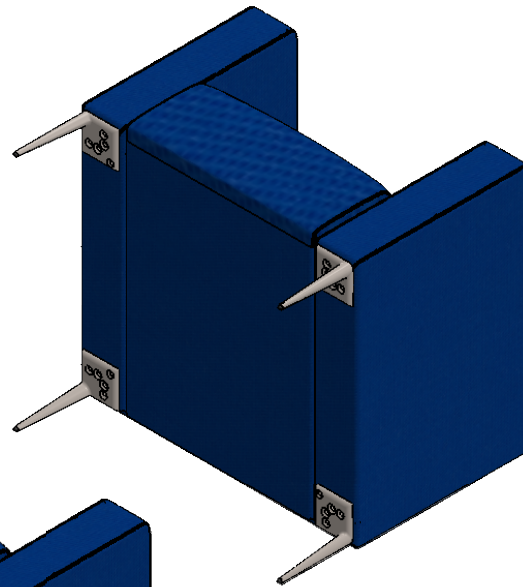
STEP 1 = CHAIR

Carefully unpackage chair and lay flat on a padded surface **(As seen above)**



STEP 2 = SUPPORT BLOCKS

Unscrew the 4 Bolts securing the support blocks

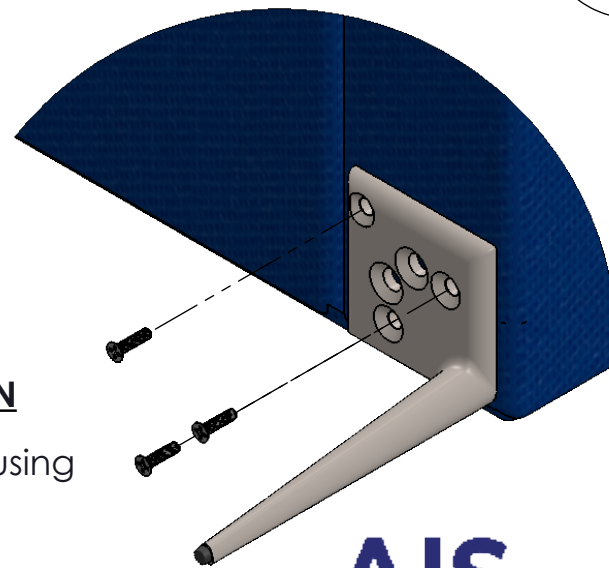


STEP 3 = LEGS

Carefully unpackage legs. Align holes in leg with the holes on the underside of the arms

STEP 4 = LEG CONNECTION

Secure legs to chair using (3x per leg) 1/4-20 1"LG Screw **(Refer to Detail A)**



DETAIL A
SCALE 1 : 4

STEP 5 = FINISHED

Using 2 people, carefully lift chair upright so as to not damage the legs

TOOLS REQUIRED: POWER DRILL + PHILLIPS HEAD

AIS www.ais-inc.com

COLLECTION:			
LCHC ASSEMBLY DRAWING CHAIR			
DRAWING NUMBER		2 OF 2	DATE
LCHC1-AD			
PART NUMBER		SCALE	REV
-			
DRAWN BY	CHECKED BY	1:16	-
OND	---		