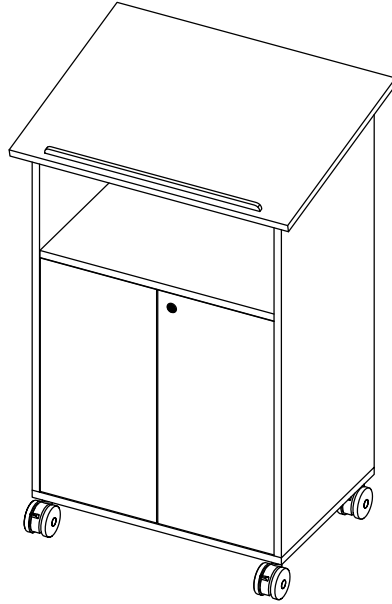
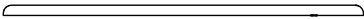


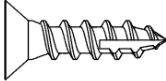


Calibrate Lectern Installation Instructions

Date	Page No.	Description of change	Name
03/10/2026	1-2	Released	S. Powers



Item	Replacement Part number	Circle Sheet Part Number	Description	Image
P1	P-LPS	RH-LPS	Paper Stop	
P2	RH-MSZFPPF8321B	RH-MSZFPPF8321B	#8 x 1" Type F Flat Head Screw	
P3	28T75X010116	RH-28T75X010116	Locking Caster, 75mm	
P4	RH-QS0934-I	RH-QS0934-I	#9 x 3/4" Flat Head Sheet Metal Screw	

Calibrate Lectern Installation Instructions

