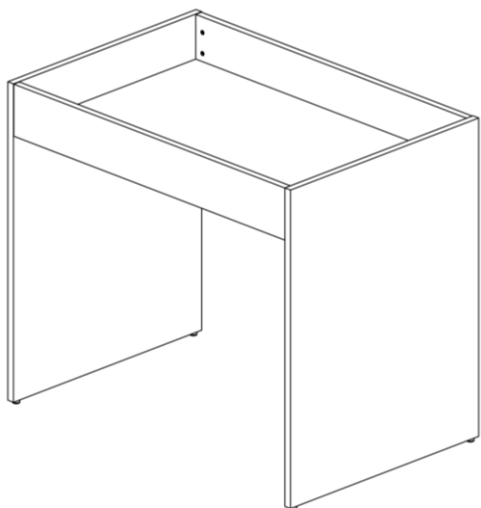
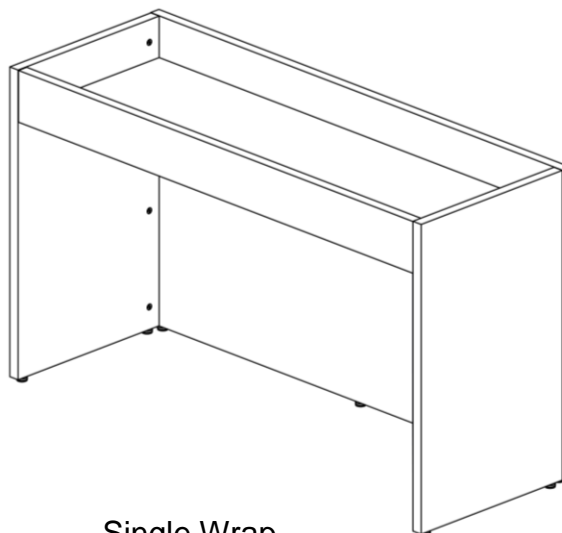


Calibrate Dry Planters Installation Instructions




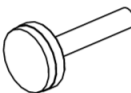
Date	Page No.	Description of change	Name
02/03/2023	1-6	Released	S. Powers



Double Wrap
See pages 2-3

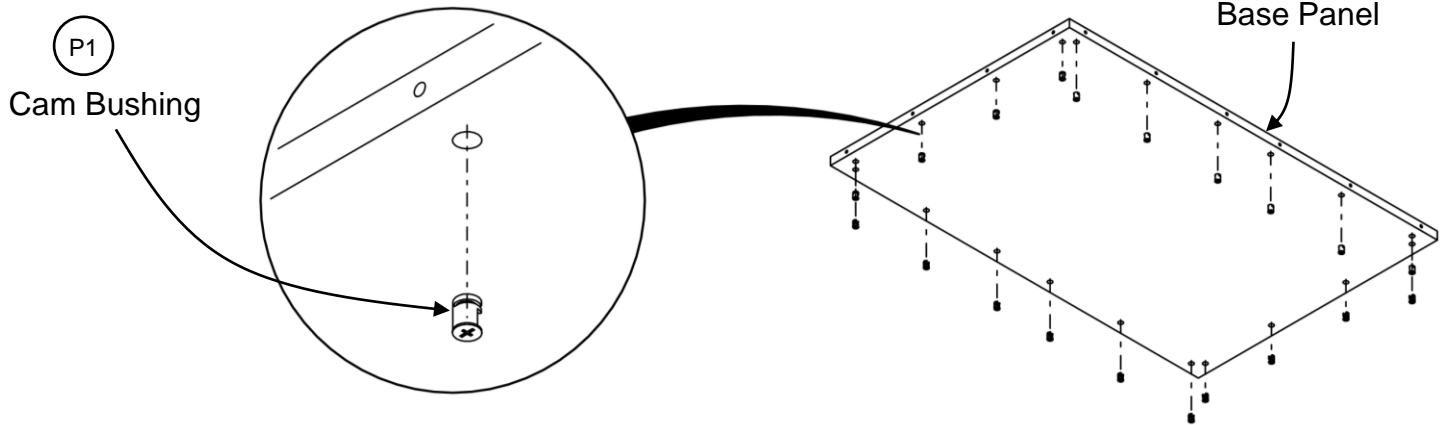


Single Wrap
See pages 4-6

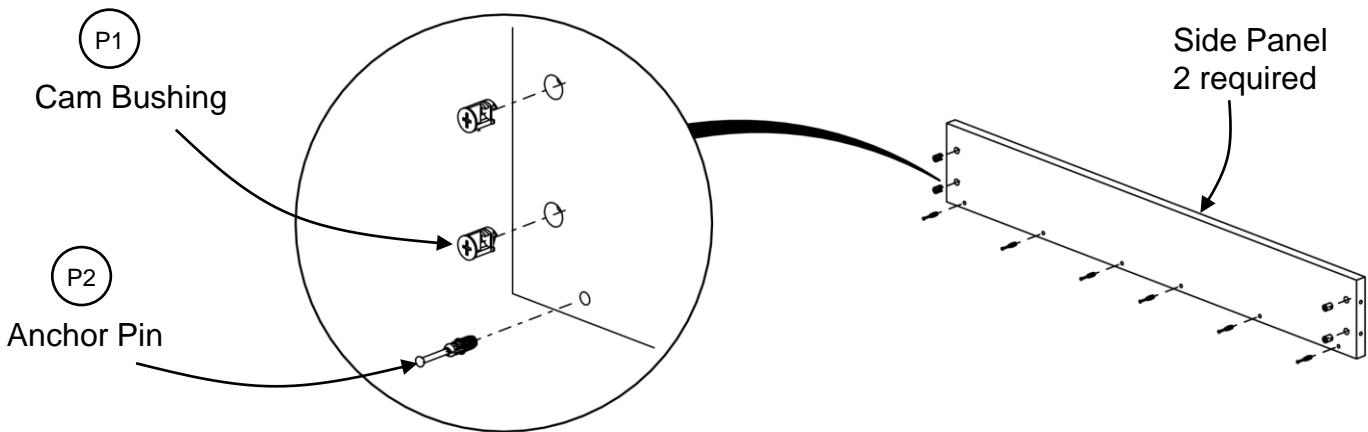
Item	Replacement Part number	Circle Sheet Part Number	Description	Image
P1	RH-9056601-I	RH-9056601-I	Cam Bushing	
P2	RH-DU325-I	RH-DU325-I	Anchor Pin	
P3	WFS-IN51618	RWFS-IN51618B-I	5/16-18 Glide Insert	
P4	WFS-GL51618	RWFS-GL51618-I	5/16-18 Glide	

Calibrate Dry Planters Installation Instructions - Double Wrap

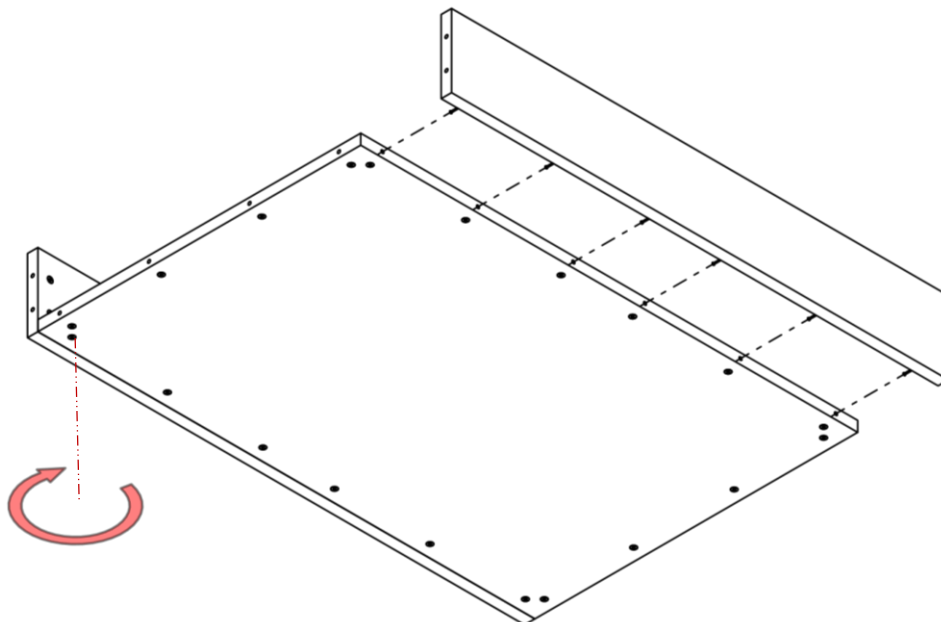
Step 1: Install cams into the planter base panel.



Step 2: Install cams and pins into two planter side panels.

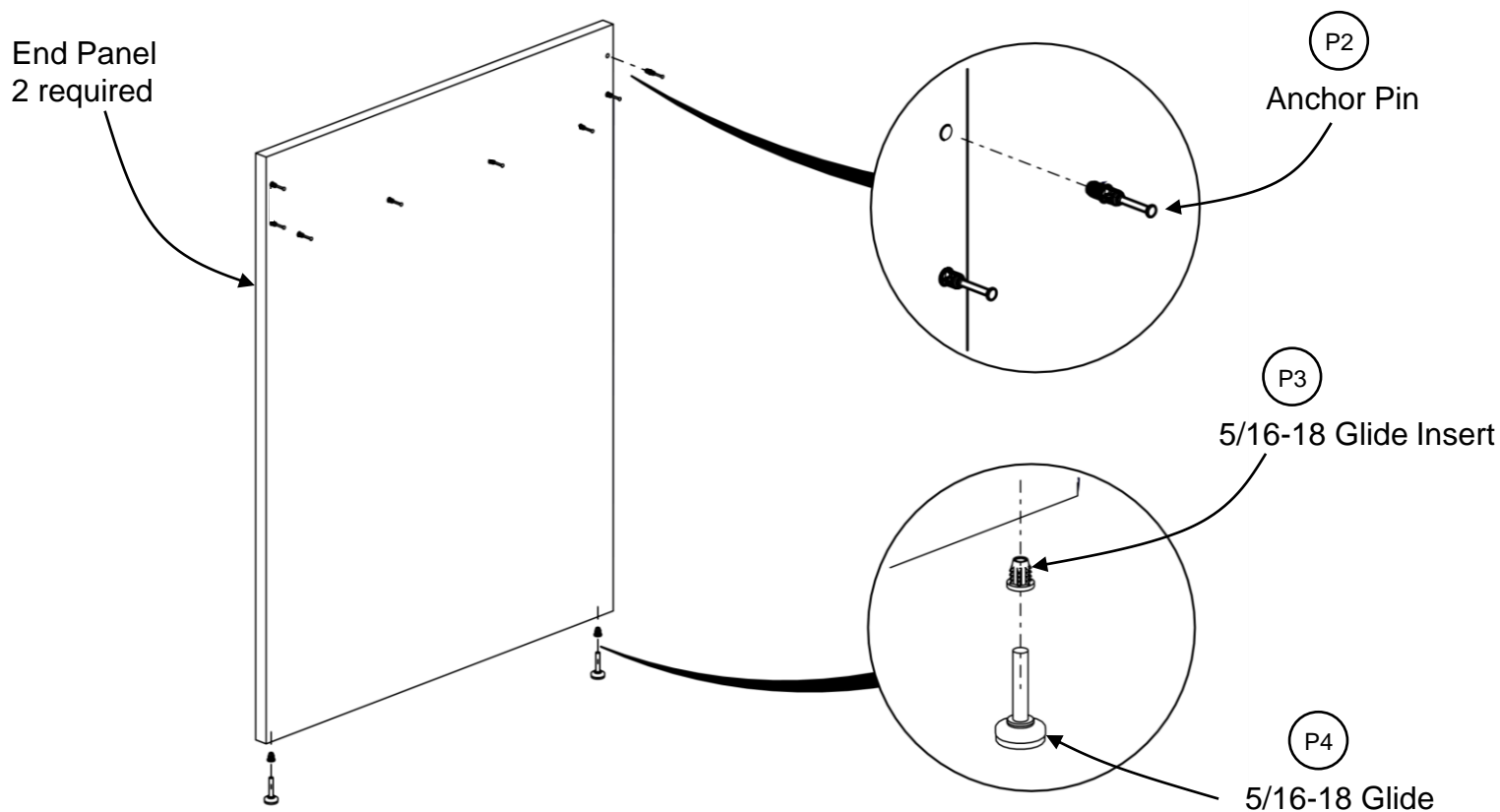


Step 3: Align side panels to planter base and tighten cams.

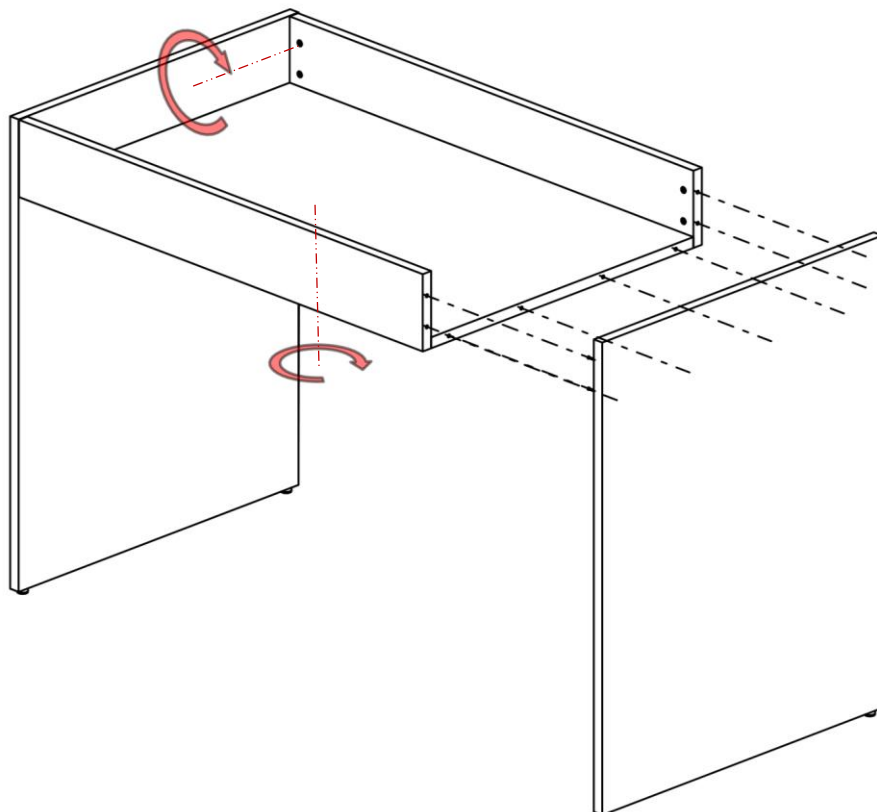


Calibrate Dry Planters Installation Instructions - Double Wrap

Step 4: Install glide inserts and glides into the bottom of two planter end panels. Then, install pins.

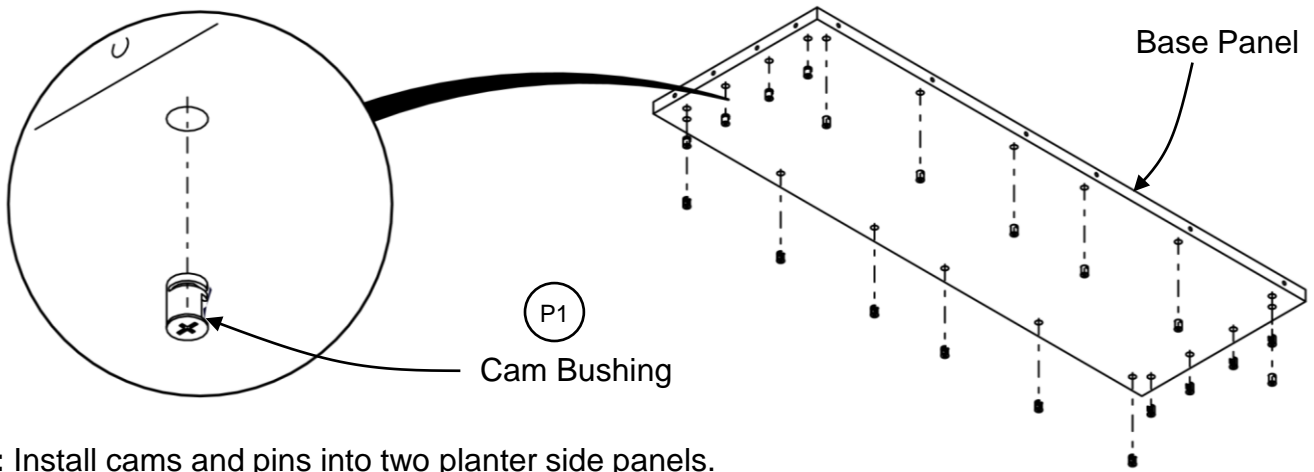


Step 5: Align end panels to planter base and tighten all cams.

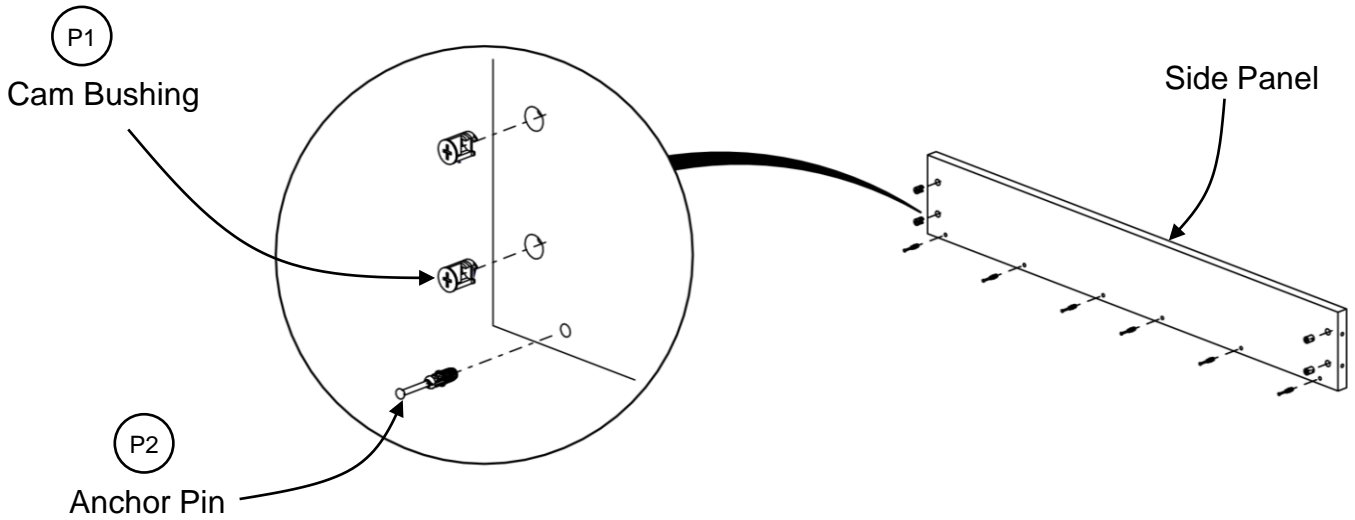


Calibrate Dry Planters Installation Instructions - Single Wrap

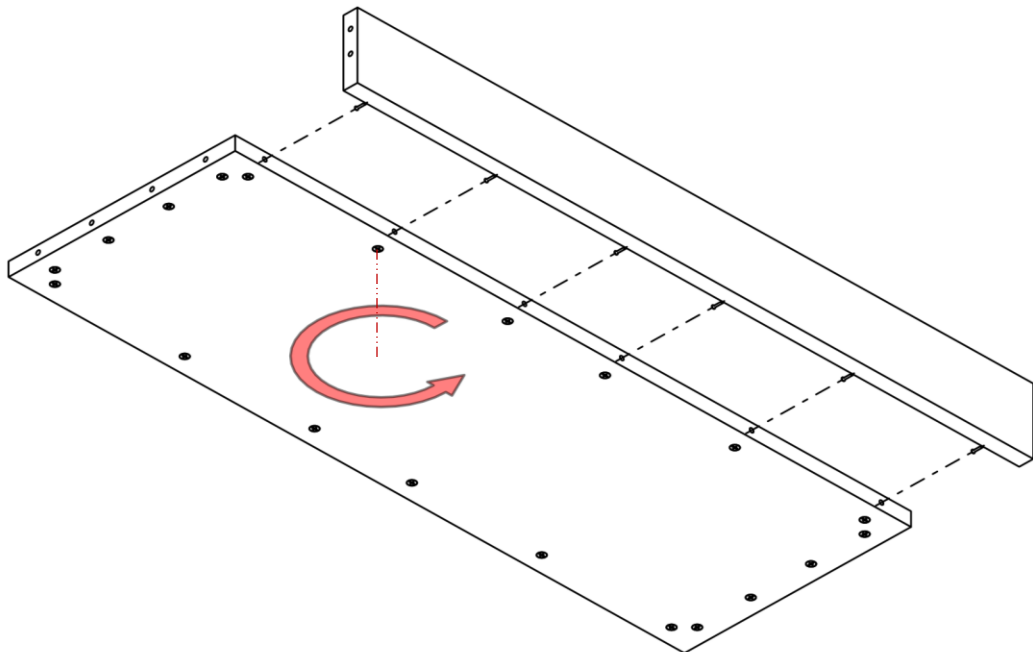
Step 1: Install cams into planter base panel.



Step 2: Install cams and pins into two planter side panels.

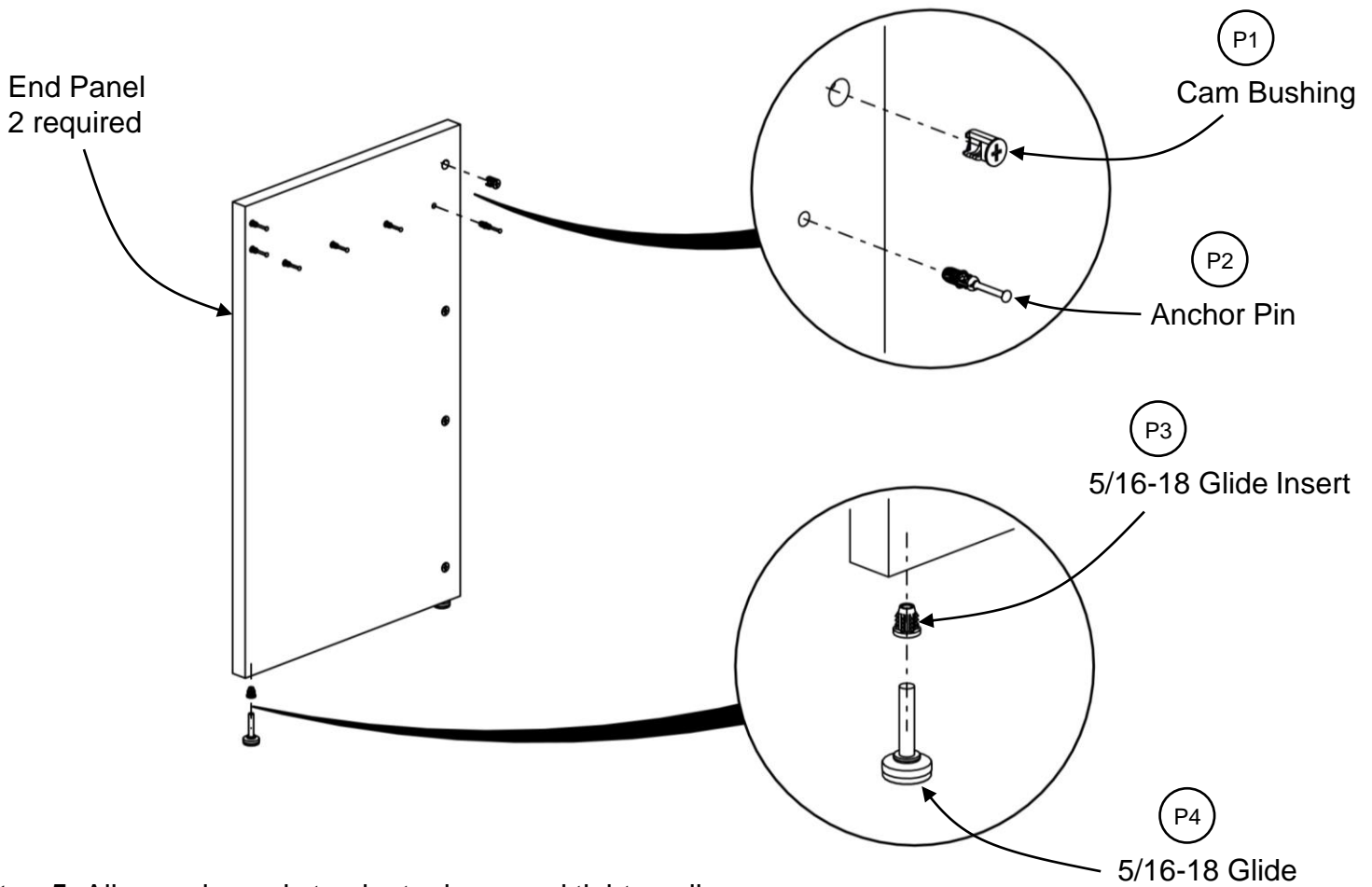


Step 3: Align side panel to planter base and tighten cams.

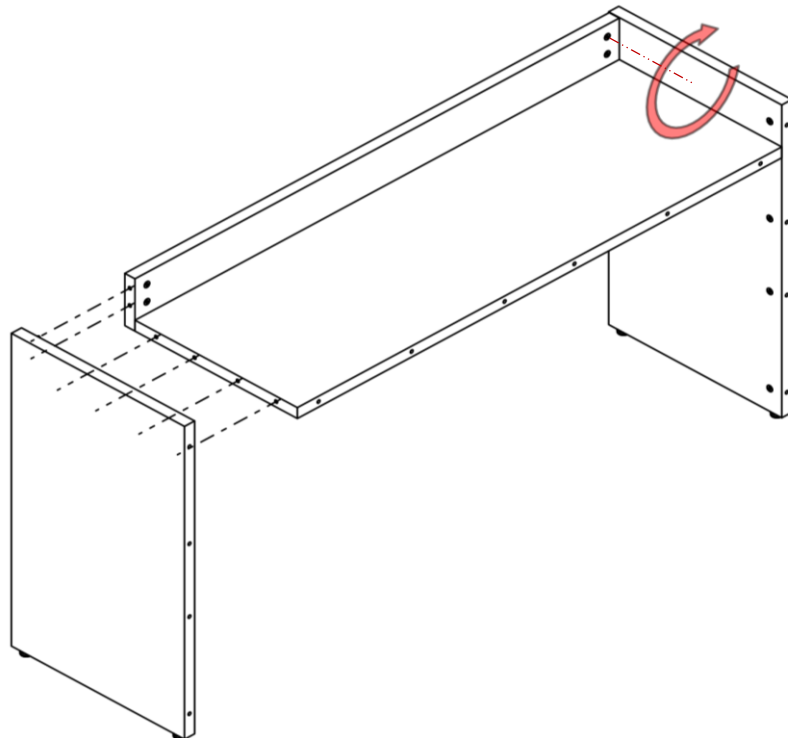


Calibrate Dry Planters Installation Instructions - Single Wrap

Step 4: Install glide inserts and glides into the bottom of two planter end panels. Then, install cams and pins.

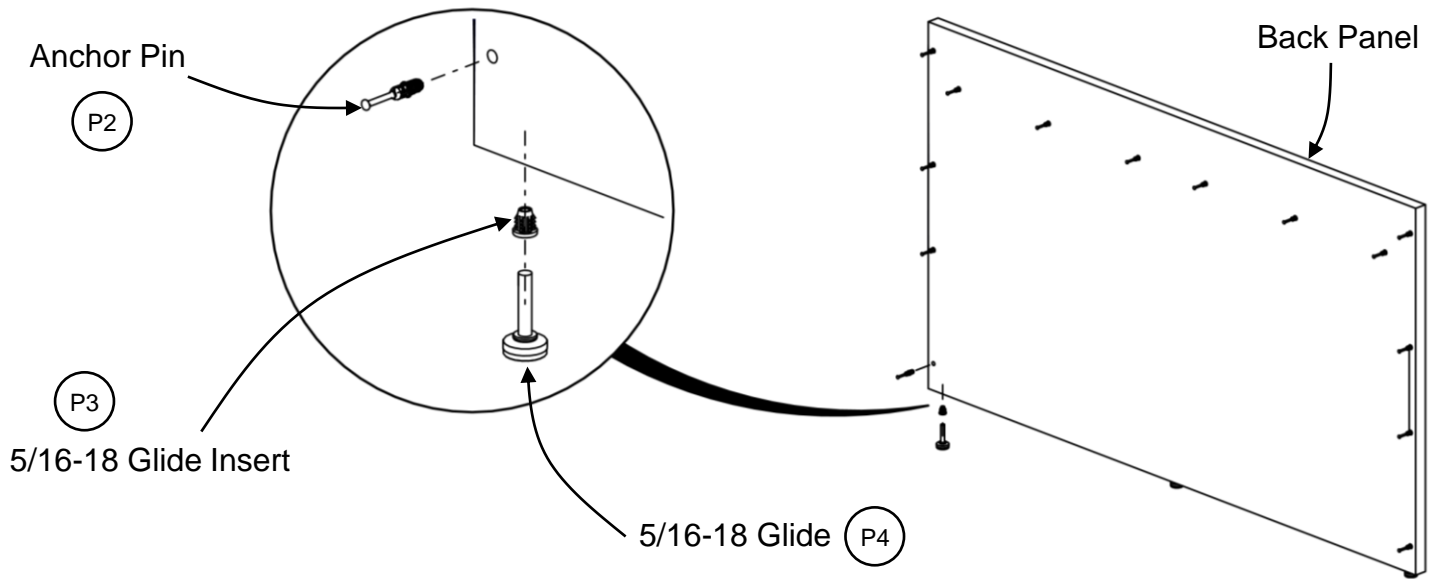


Step 5: Align end panels to planter base and tighten all cams.



Calibrate Dry Planters Installation Instructions - Single Wrap

Step 6: Install glide inserts and glides to the bottom of the planter back panel. Then, install pins



Step 7: Align back panel to planter base and tighten all cams.

