

**\*\*\*READ ALL INSTRUCTIONS BEFORE USING\*\*\***

- For commercial use only.
- Warning: Risk of Injury – Maximum load 275 lbs. 2 leg, 325 lbs. 3 leg
- Electrical rating: 120V, 60Hz, 16 AMP
- No more than 12 furnishings can be connected on one branch circuit.

### IMPORTANT SAFETY INSTRUCTIONS

DANGER – To reduce risk of electric shock:

- Always unplug furnishing from the electrical outlet before cleaning.

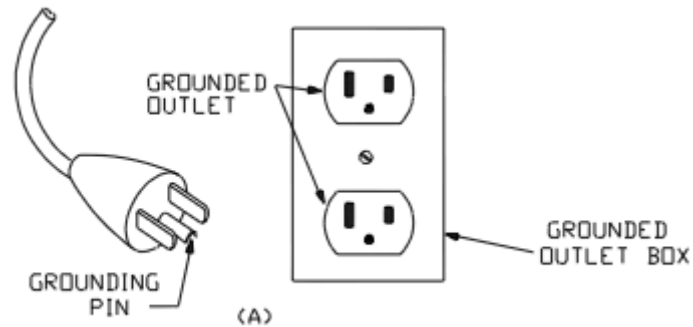
WARNING – To reduce the risk of burns, fire, electric shock, or injury to persons:

- Unplug from outlet before putting on or taking off parts.
- Close supervision is necessary when this furnishing is used by, or near children, invalids or disabled persons.
- Use this furnishing only for its intended use as described in these instructions. Do not use attachments not recommended by the manufacturer.
- Never operate this furnishing if it has a damaged cord or plug, if it is not working properly, if it has been dropped or damaged, or dropped into water.
- Keep the cord away from heated surfaces.
- Never operate the furnishing with the air openings blocked. Keep the air openings free of lint, hair and the like.
- Do not use outdoors.
- To disconnect, turn all controls to the off position, then remove plug from outlet.
- Connect to a properly grounded outlet only. See grounding instructions.
- For loading always put heavier items at the bottom and not near the top in order to help prevent the possibility of the furnishing tipping over.

Date	Page No.	Description of change	Name
11/9/2020	12-15	Updated control box and 90-degree cable	S. Powers


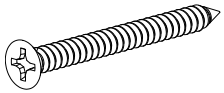
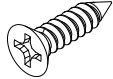
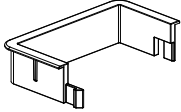
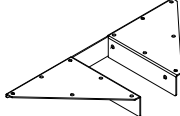
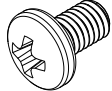
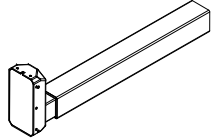
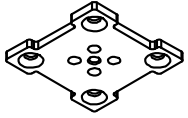
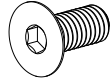
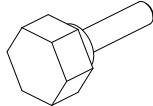
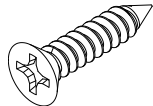
### GROUNDING INSTRUCTIONS

This product is for use on a circuit having a nominal rating more than 120 volts and is factory-equipped with specific electric plug to permit connection to a proper electric circuit. Make sure that the product is connected to an outlet having the same configuration as the plug. No adapter should be used with this product



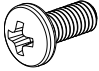
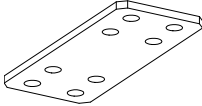
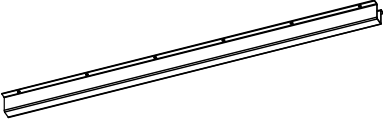
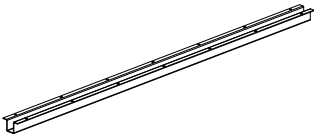
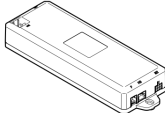
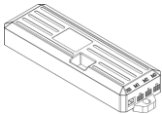
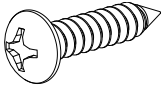



# Calibrate Installation

# Parts List

Item	Replacement Part number	Circle Sheet Part Number	Description	Image
1	O-HATDPB	O-HATDBP	HAT Plate	
2	RH-SMZFP102B	RH-SMZFP102B	Flat Head Screw #10 x 2" long	
3	RH-WSFP1034-C	RH-WSFP1034-C	Flat Head Screw #10 x 3/4" long	
4	RL-PLG	RL-PLG	Trim Ring	
5	T-HAC	T-HAC	Cantilever	
6			Pan Head Screw M6 x 10mm	
7	RL-HAC70xx xx = BK (Black) xx = MS (Silver) xx = WT (White)	RL-HAC70xx xx = BK (Black) xx = MS (Silver) xx = WT (White)	70mm Column	
8	O-GSO	OX-GSO	Glide Plate	
9	RH-91420A425	RH-91420A425	Flat Head Screw M6 x 14mm long	
10	RH-CGLIDE	RH-CGLIDE	1/4-20 Glide	
11	RH-QS0978	RH-QS0978	Flat Head Screw #9 x 7/8" Long	

# Calibrate Installation

# Parts List Cont.

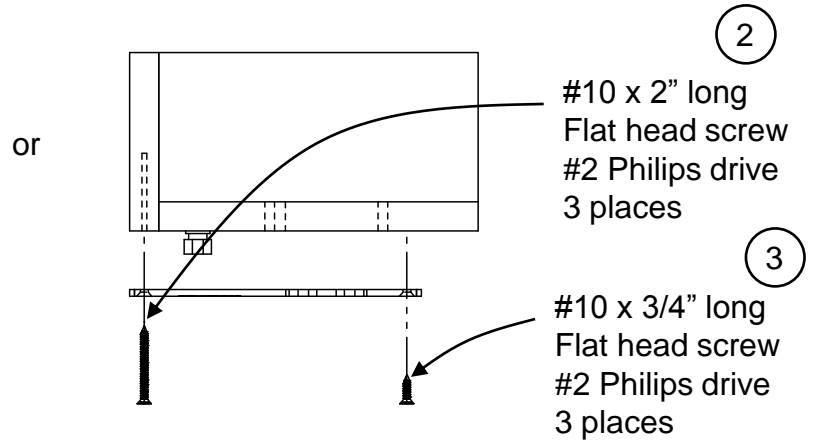
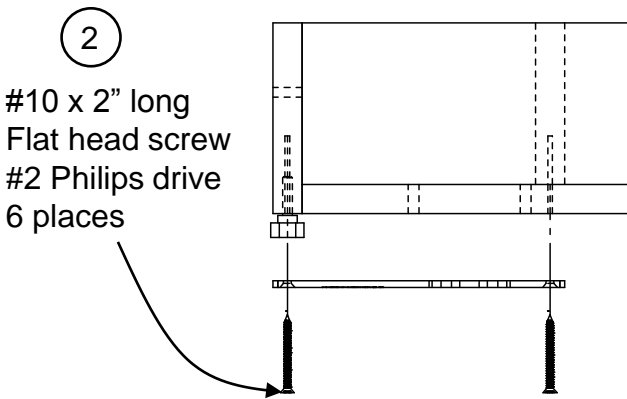
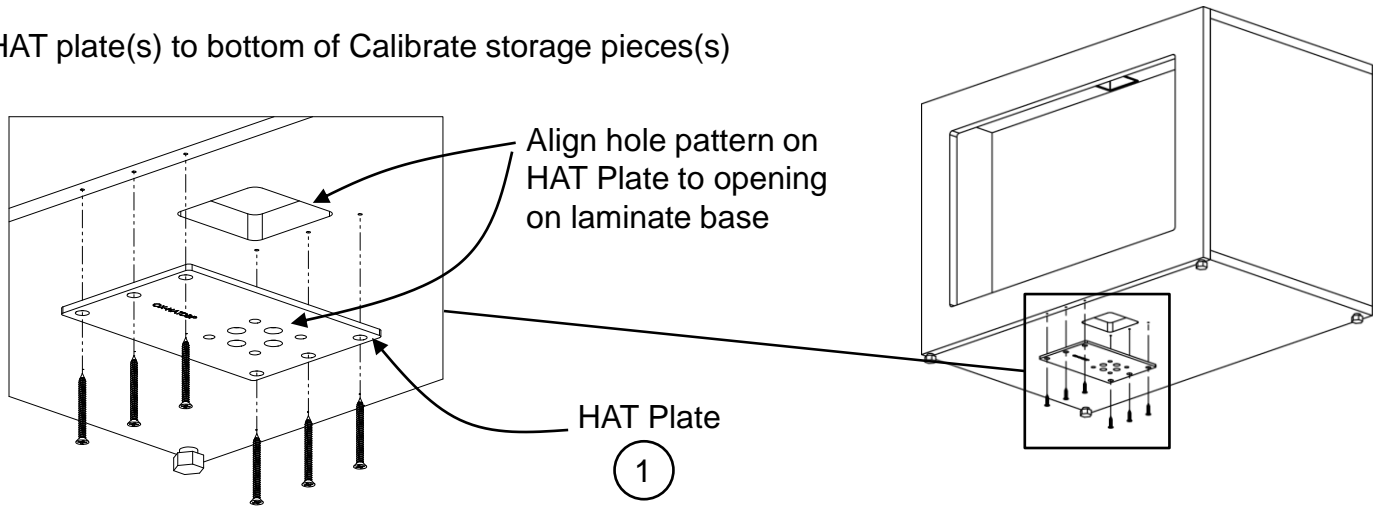
Item	Replacement Part number	Circle Sheet Part Number	Description	Image
12			Pan Head Screw M6 x 14mm long	
13	WPS-FP	RWPS-FP	Flat Plate	
14	T-HA-Txx xx = 36 - 96 (6in increments)	RL-HA-Txx xx = 36 - 96 (6in increments)	Trough	
15	T-UCKxx xx = 36-96 (6in increments)	RWPS-HSxx xx = 36-96 (6in increments)	U-Channel	
16	RL-2LCB	RL-2LCB	2 Input Control Box	
17	RL-3LCB	RL-3LCB	3 Input Control Box	
18			Pan Head Screw #10 x 7/8" long	
19	RL-2LCK90	RL-2LCK90	90° Cable Extension 1.3M long	
20	RL-2LCK	RL-2LCK	Cable Extension 1.3M	
21	RL-3LCK	RL-3LCK	Cable Extension 2.5M	
22	RL-PHS	RL-PHS	Programmable Control Pad	
23			Pan Head Screw #6 x 1/2" long	

# Calibrate Installation

## HAT Base with Storage

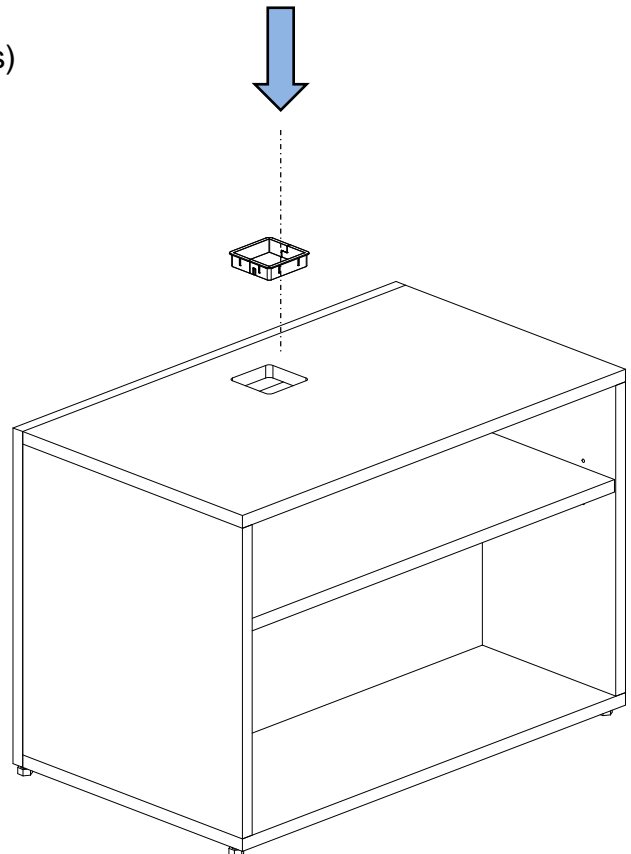
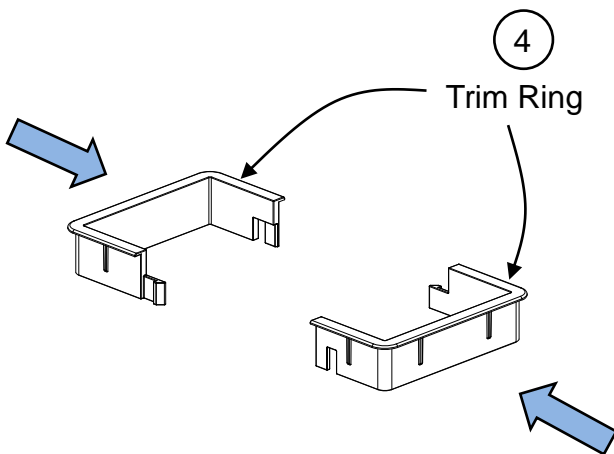
### Step 1:

Install HAT plate(s) to bottom of Calibrate storage pieces(s)



### Step 2:

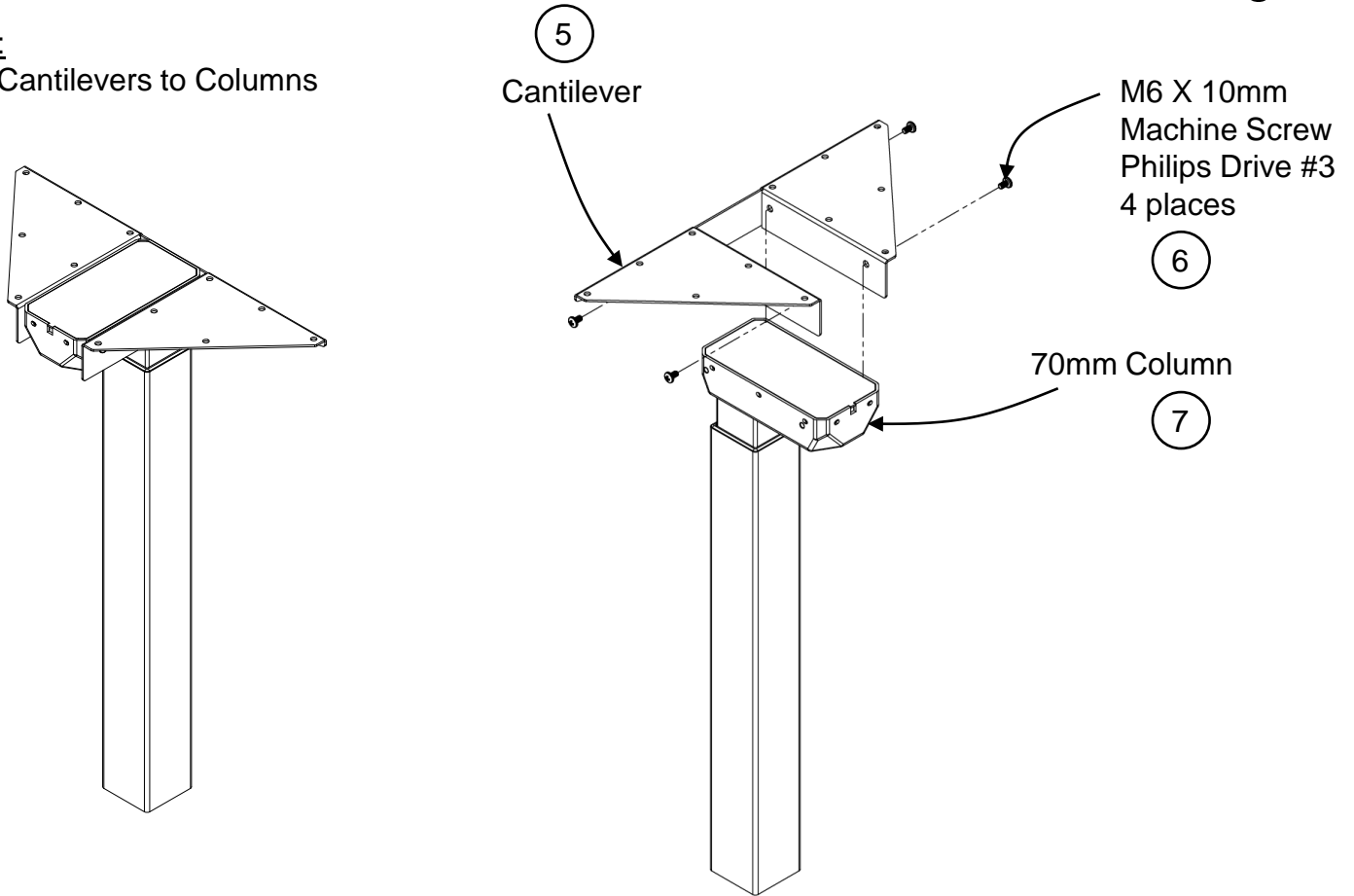
Install Trim Ring(s) to top of Calibrate storage pieces(s)



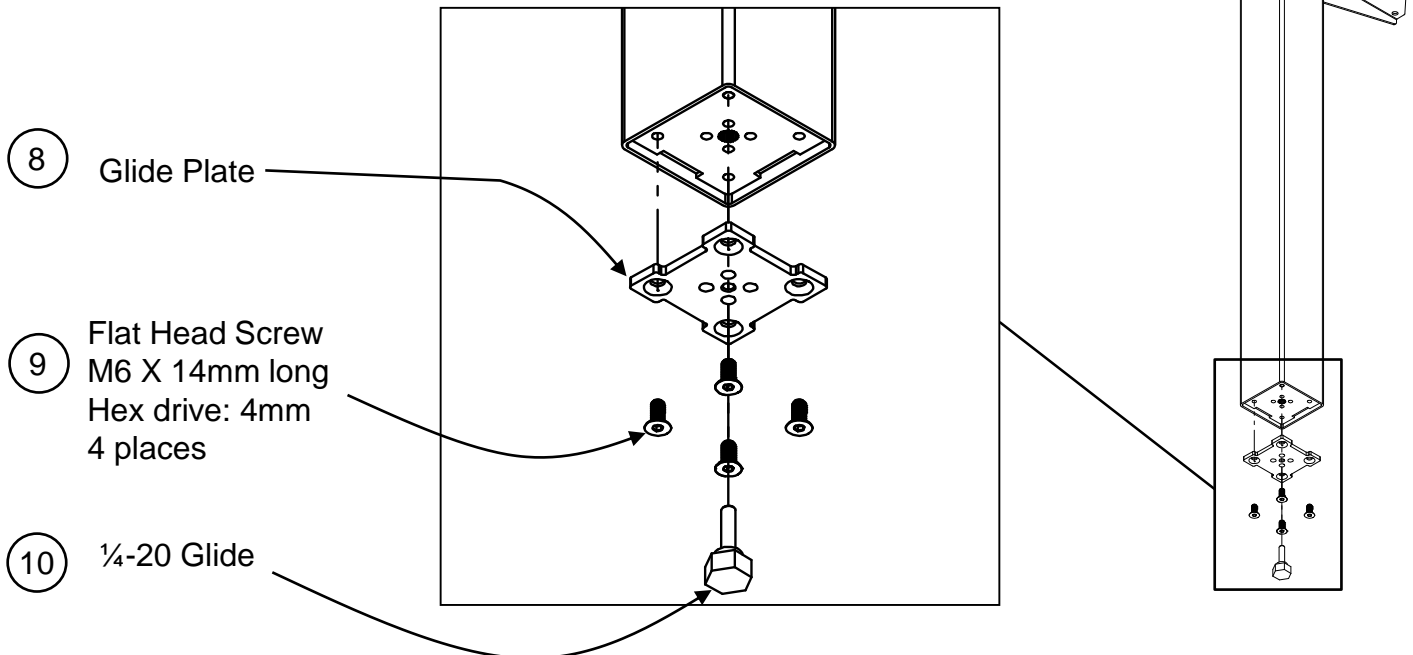
# Calibrate Installation

## HAT Base with Storage

Step 3:  
Install Cantilevers to Columns



Step 4:  
Install Glide and Glide Plate (only for columns without storage or feet)  
If Columns require a storage piece, skip this step and proceed to Step 5.



# Calibrate Installation

# HAT Base with Storage

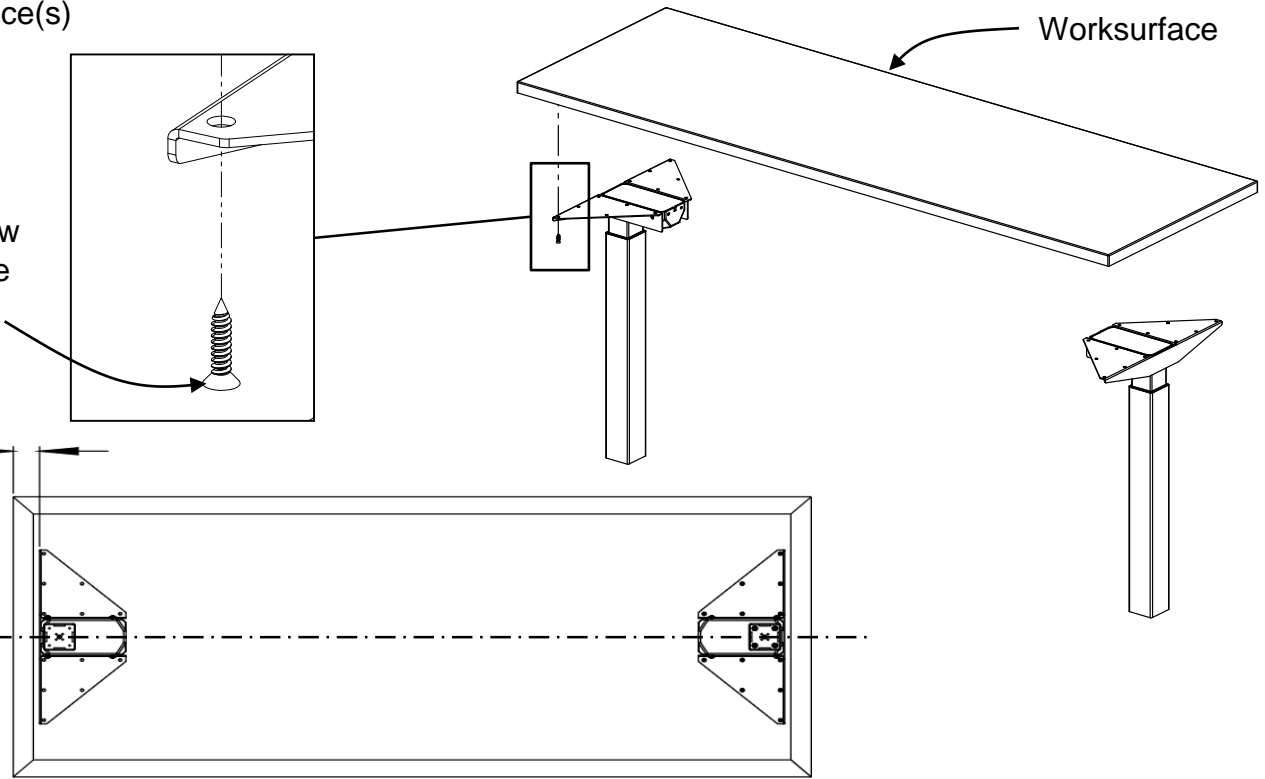
**Step 5:**  
Install Worksurface(s)

11

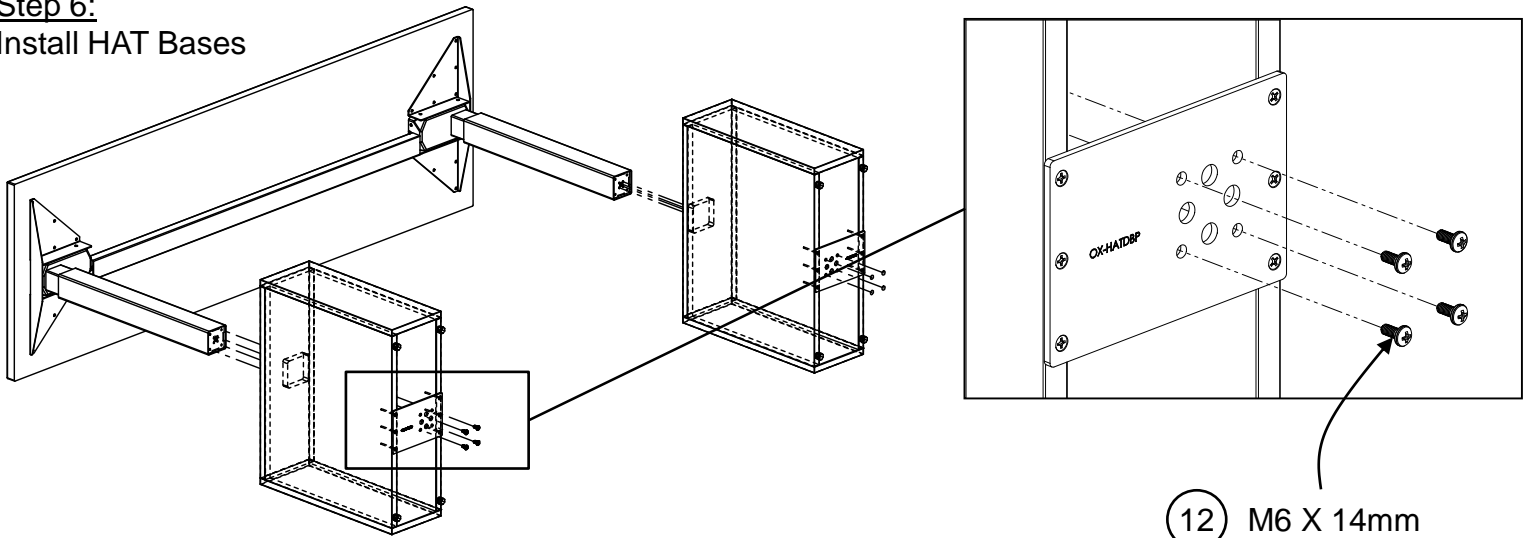
#9 x 7/8" long  
Flat head screw  
#2 Philips drive  
12 places

2 5/16"

⌀



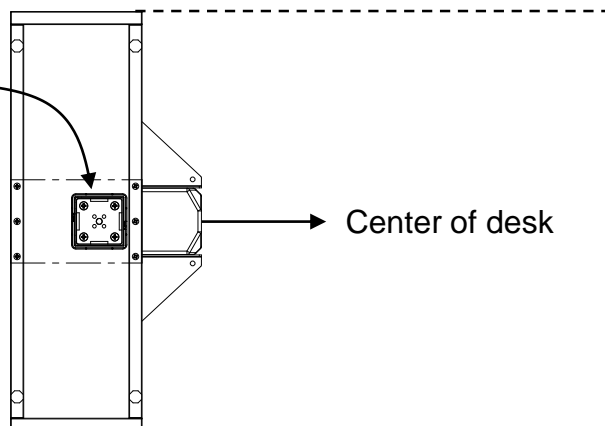
**Step 6:**  
Install HAT Bases



12 M6 X 14mm  
Machine Screw  
Philips Drive #3  
8 places



OFFSET



Center of desk

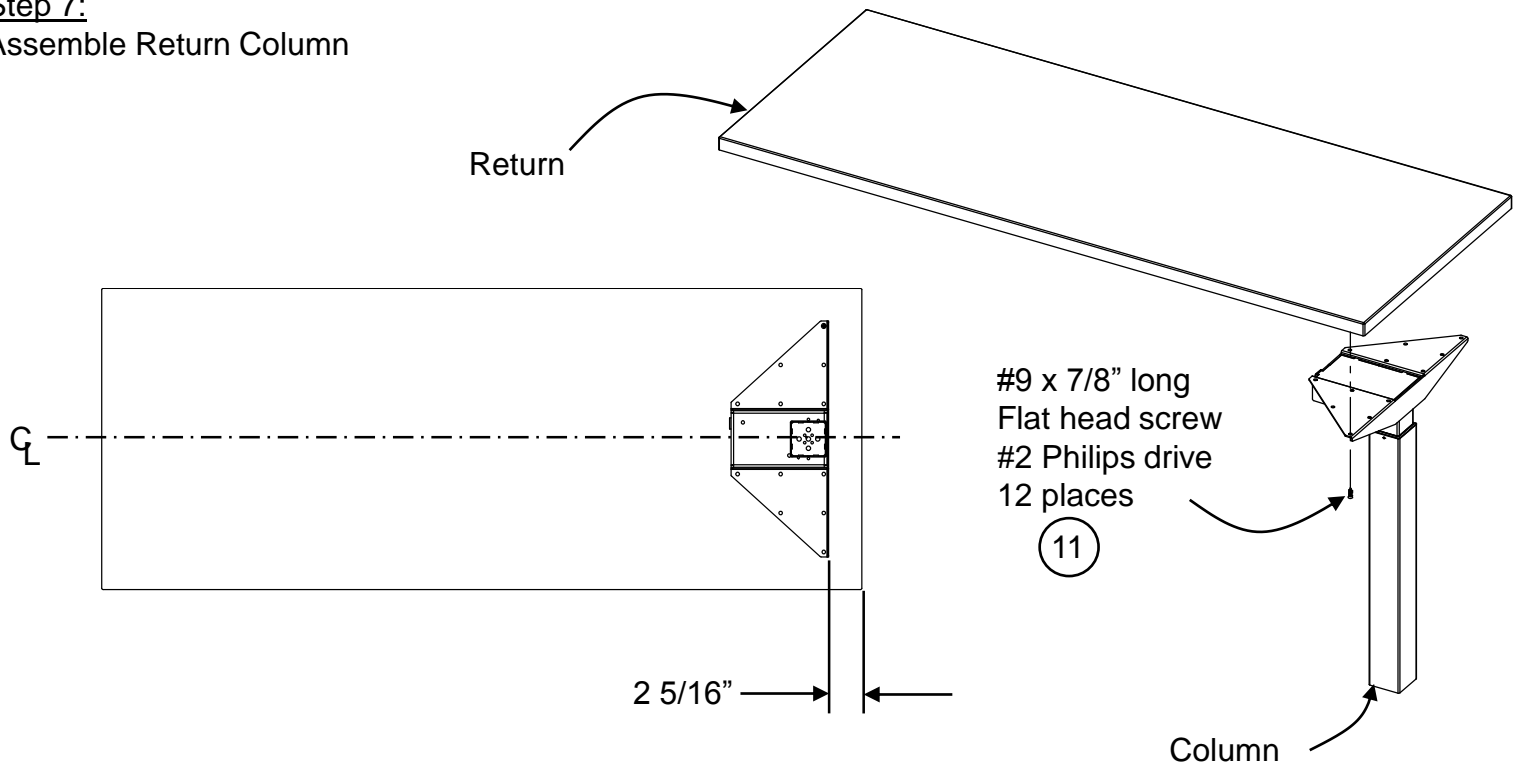
Orientate base  
cabinet such that  
the leg is inboard  
toward the center  
of the desk



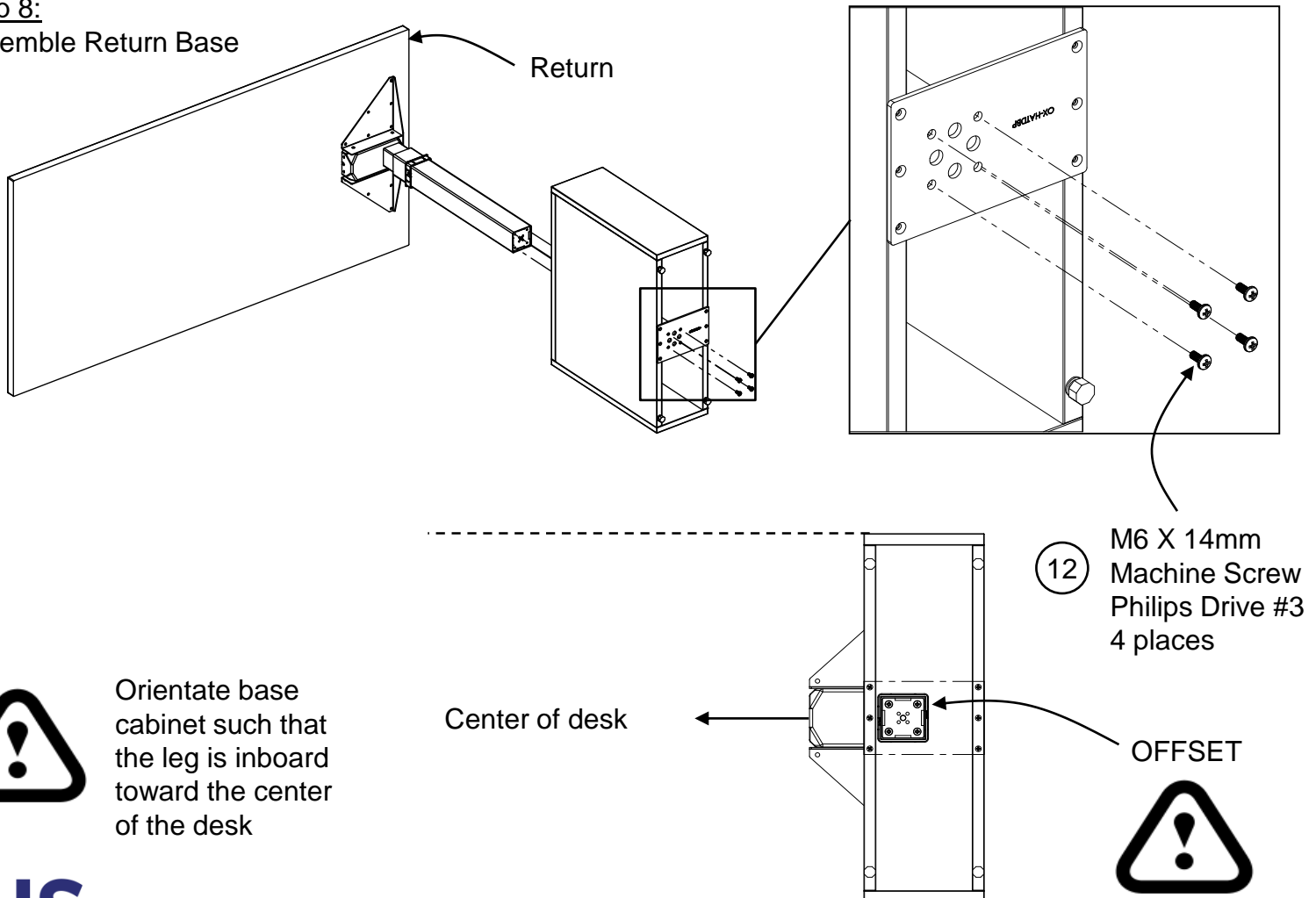
# Calibrate Installation

# HAT Base with Storage

## Step 7: Assemble Return Column



## Step 8: Assemble Return Base



Orientate base cabinet such that the leg is inboard toward the center of the desk

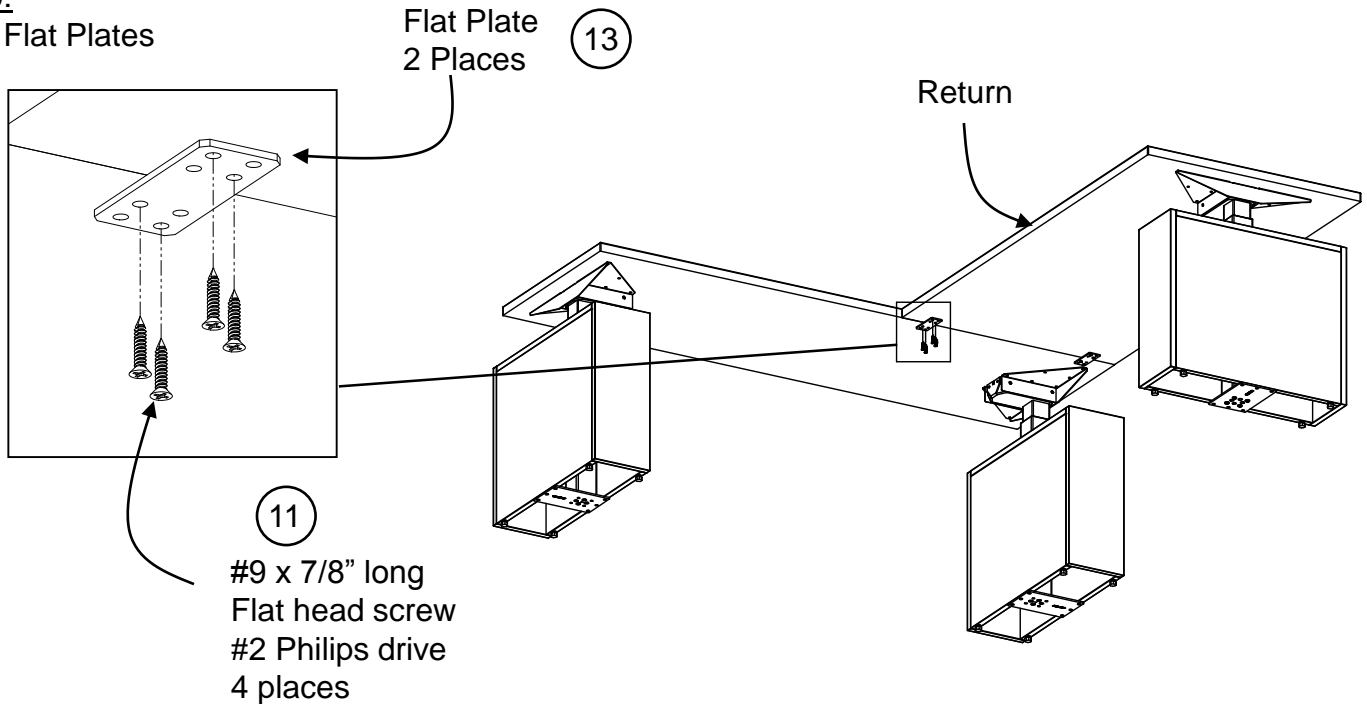
**AI**S

www.ais-inc.com

# Calibrate Installation

# HAT Base with Storage

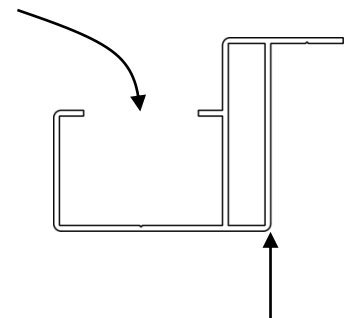
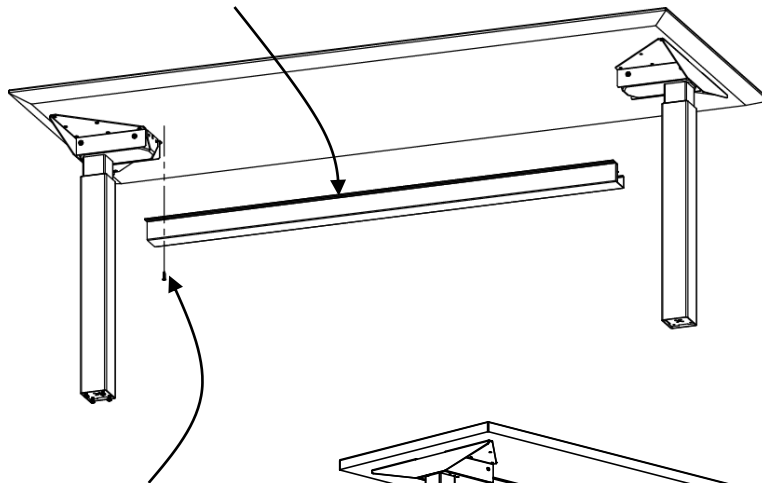
**Step 9:**  
Install Flat Plates



**Step 10:**  
Install trough(s) to worksurface. Symmetrically center trough horizontally between the 2 columns. (views shown here without storage for clarity)

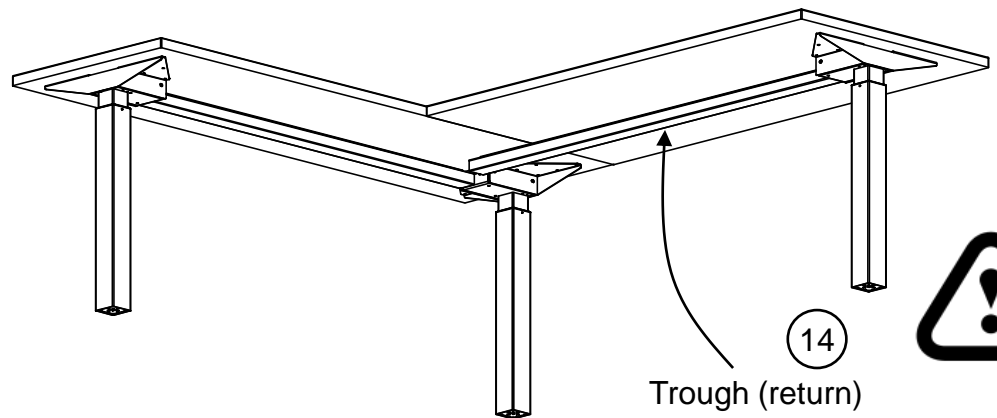
Mount trough so that this opening is on user side

(14) Trough Length =  $\text{Worksurface width} - 20 \frac{1}{8}"$



Align this edge with Cantilever edge so that the trough is off-centered from the worksurface

(11) #9 x 7/8" long Flat head screw #2 Philips drive 6 places



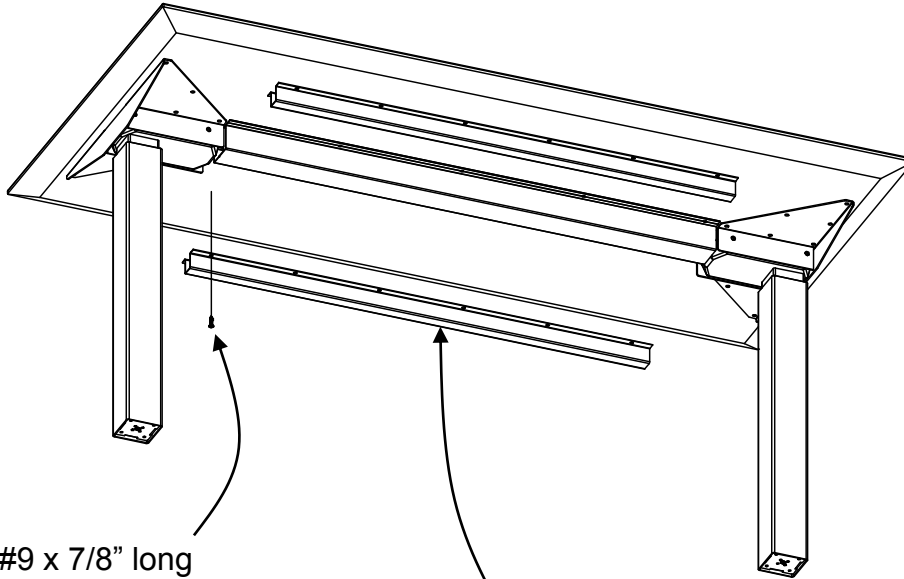
(14) Trough (return) Length =  $\text{Return width} + 9"$

# Calibrate Installation

## HAT Base with Storage

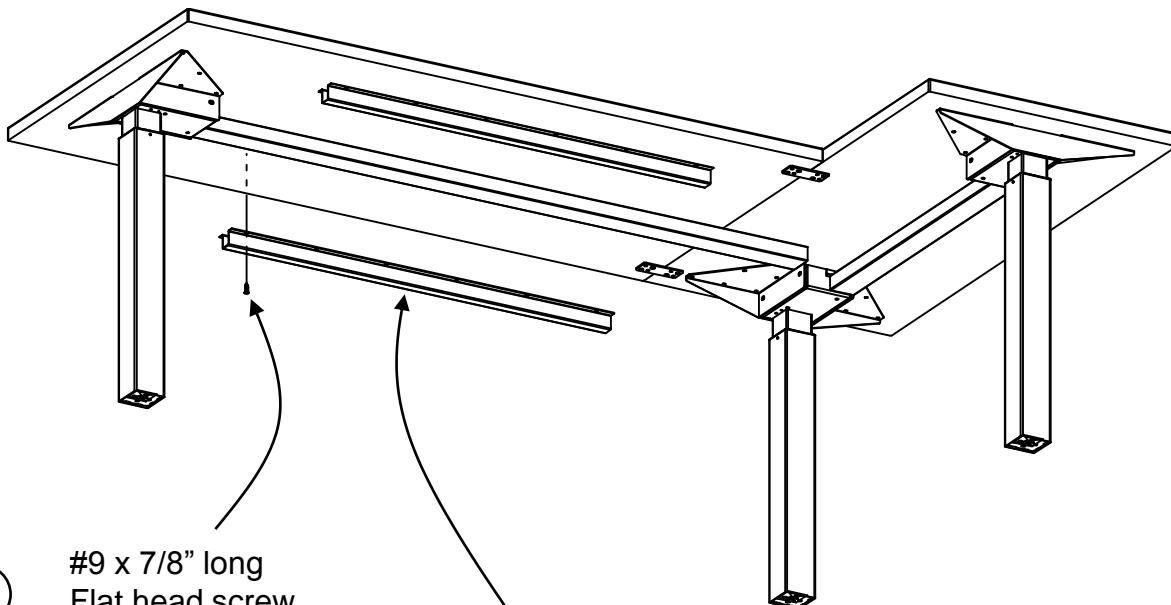
### Step 11:

Install U-Channels (only for benches 60W and up)



11 #9 x 7/8" long  
Flat head screw  
#2 Philips drive

15 U-Channel  
Length = Worksurface width - 24.5"  
2 places



11 #9 x 7/8" long  
Flat head screw  
#2 Philips drive

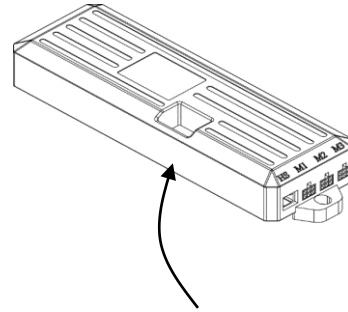
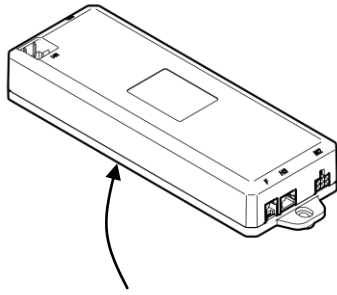
15 U-Channel  
Length = Worksurface width - 24.5"  
2 places

# Calibrate Installation

## HAT Base with Storage

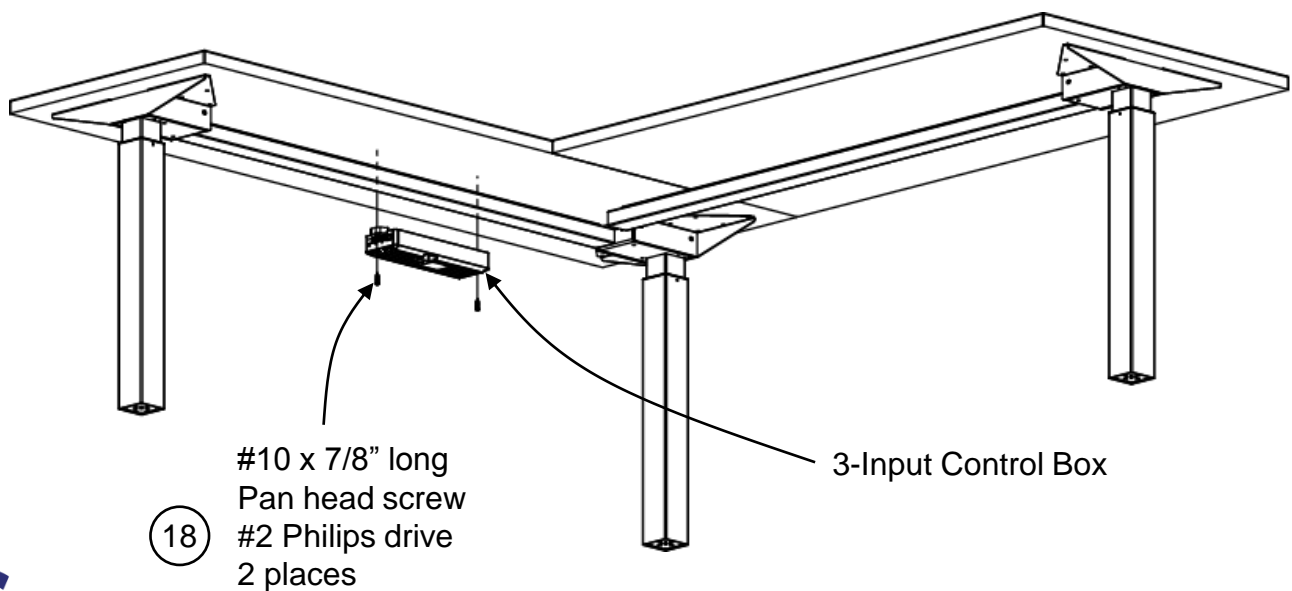
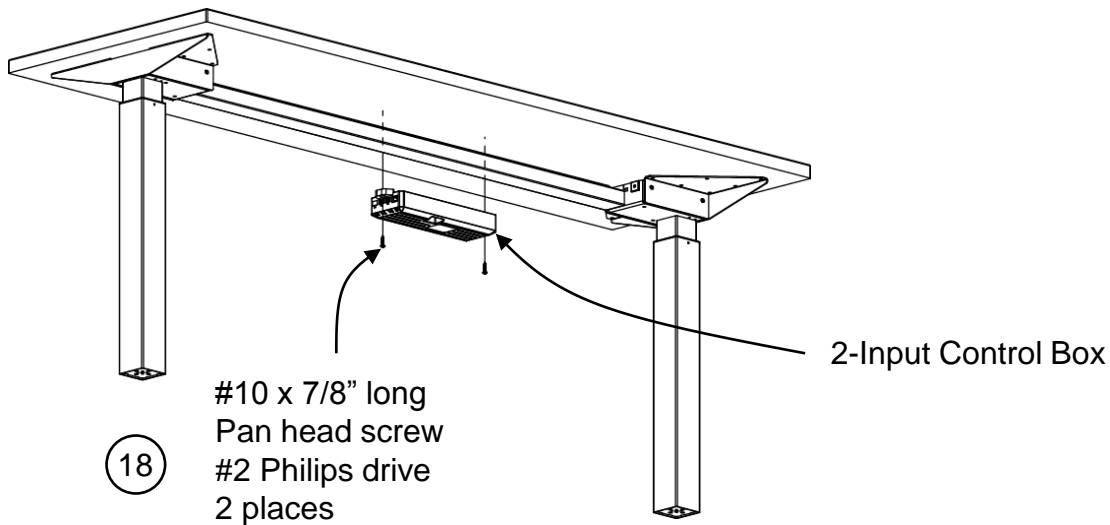
### Step 12:

Install Control Box. (views shown here without storage for clarity)



16 2 leg configurations:  
Use a 2-Input Control Box

17 3 Leg configurations:  
Use a 3-Input Control Box



# Calibrate Installation

## HAT Base with Storage

### Step 13a (2 Leg configurations):

Connect columns to control box. (views shown here without storage for clarity)

Connect Leg 2 to Port M2  
(See Fig A below)

Connect Leg 1 to Port M1  
Use 90° 1.3M long cable extension  
(See Fig B below)

19

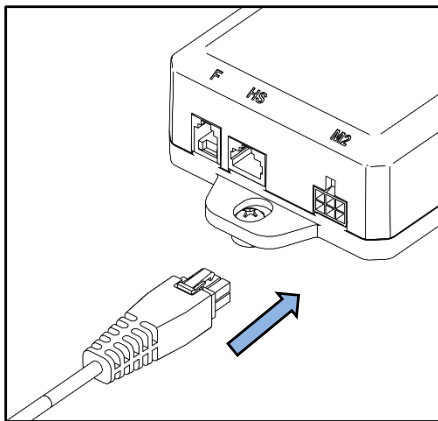
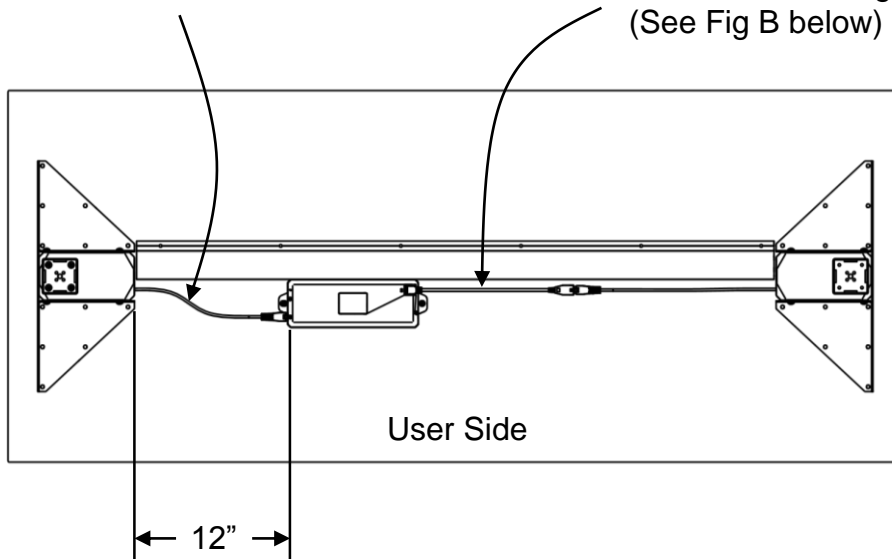


Fig A

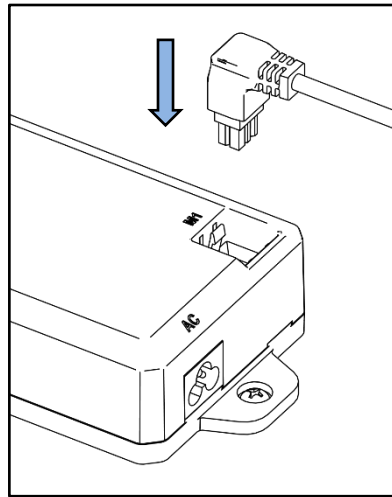
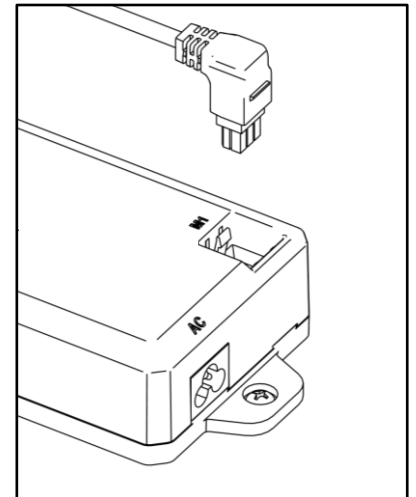


Fig B - CORRECT



IN-CORRECT



# Calibrate Installation

## HAT Base with Storage

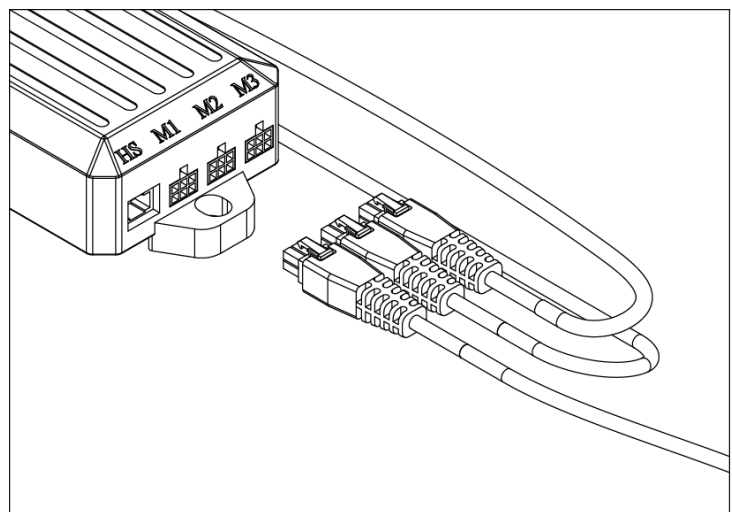
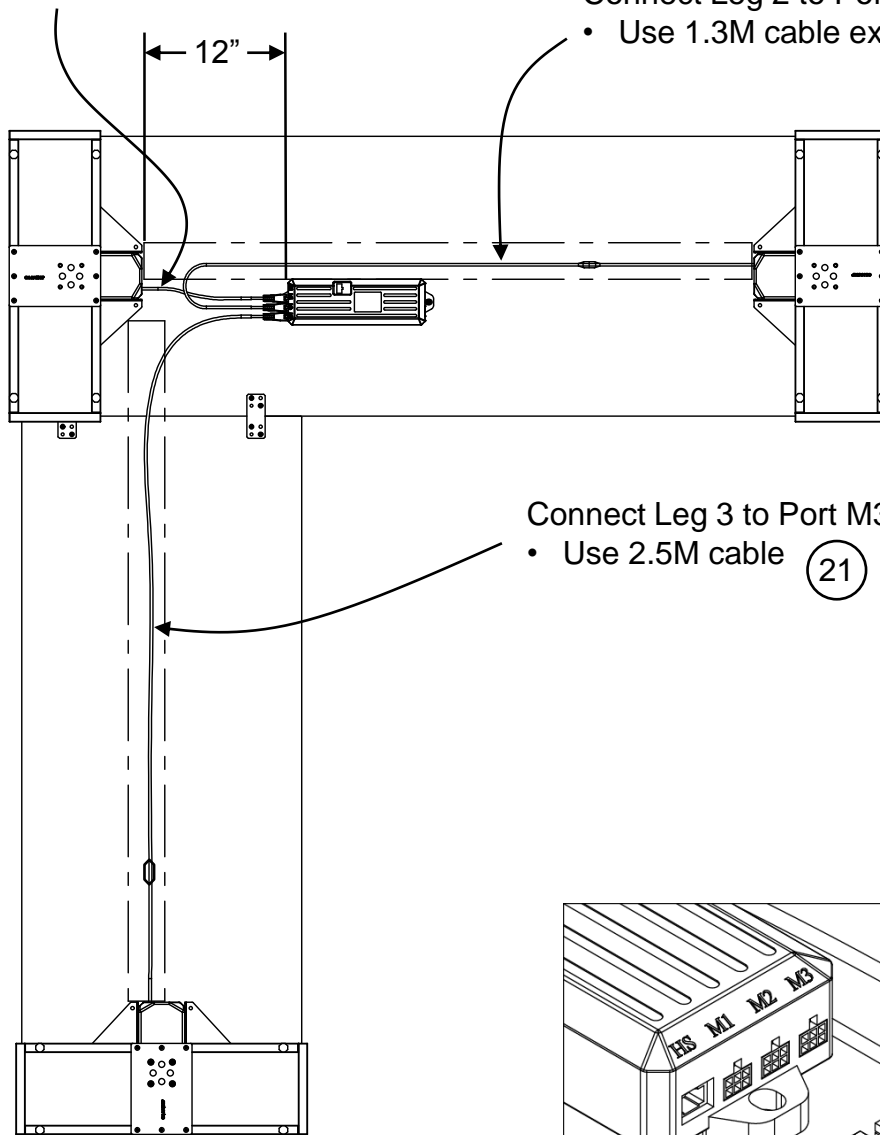
### Step 13b (3 Leg configurations):

Connect columns to control box.

Connect Leg 1 to Port M1

Connect Leg 2 to Port M2

- Use 1.3M cable extension (20)

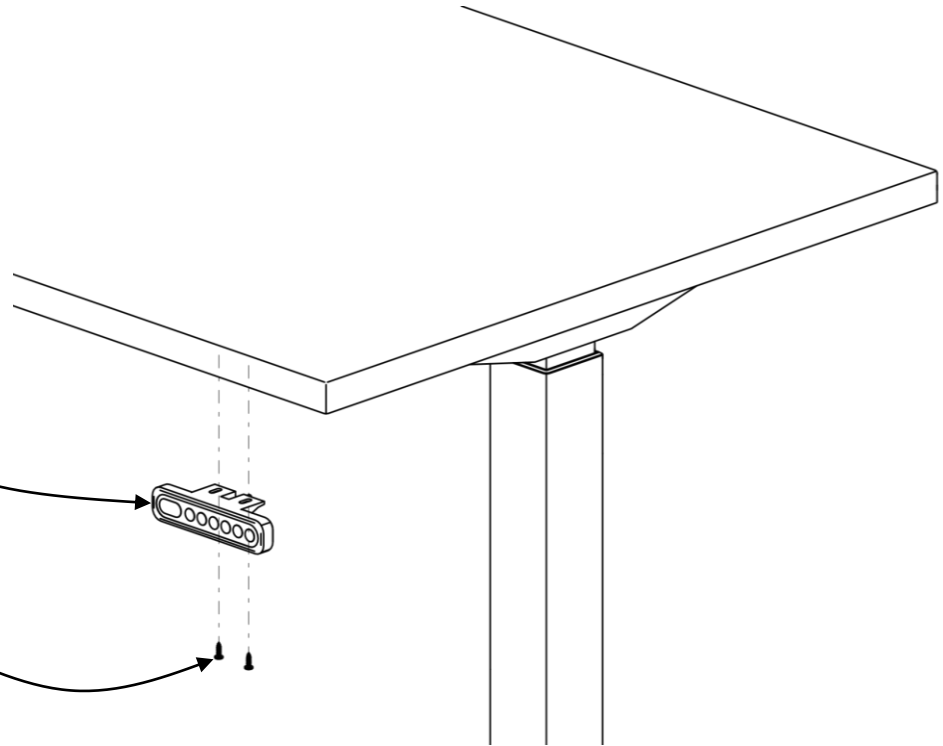


# Calibrate Installation

## HAT Base with Storage

Step 14:  
Connect Control Pad.

- ② Programmable Control Pad
- ③ #6 x 1/2" long Pan Head Screw #2 Philips Drive 4 places



Plug Control Pad into Port HS

