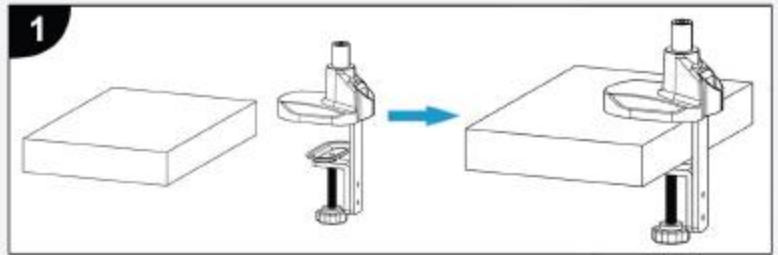


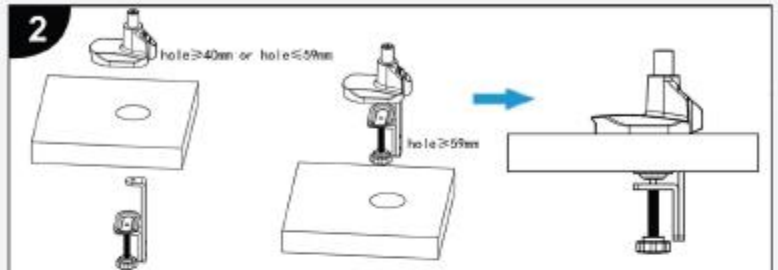
Clamp On Single Monitor Arm Installation Instructions

Base Installation - Clamp Style

Step 1.1- Fit clamp over the edge of the desk in desired location and tighten using provided allen wrench as shown in Figure #1.



Step 1.2- Clamp may also be fitted into the cable guide hole featured on some desks. Insert the bottom half of clamp into opening and tighten into place as shown in Figure #2.

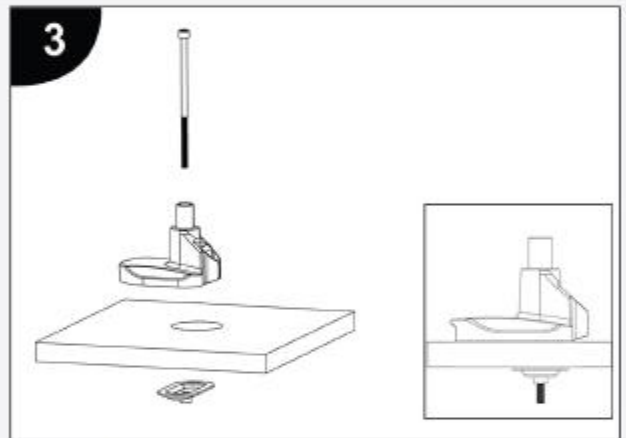


Base Installation - Grommet Style

Step 1 - Locate and mark installation site. Drill pilot hole.

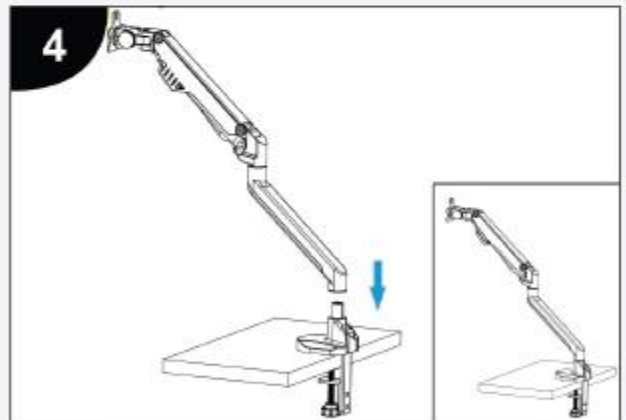
Step 2 - Separate lower section of clamp by removing center bolt and set aside.

Step 3 - Install long bolt through base and desk top. Thread grommet plate over bolt and tighten with grommet nut as shown in Figure #3.



Arm Installation

Step 1 - Install arm onto base. Note upper and lower arm sections should be secured together using provided screw as shown in Figure #4.

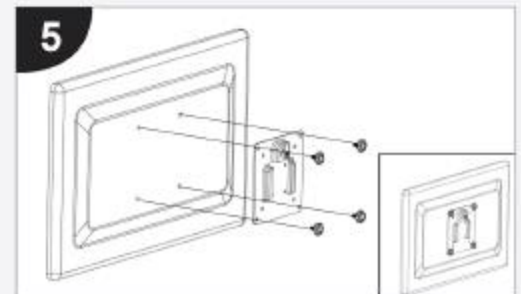


VESA Bracket/ Monitor Installation

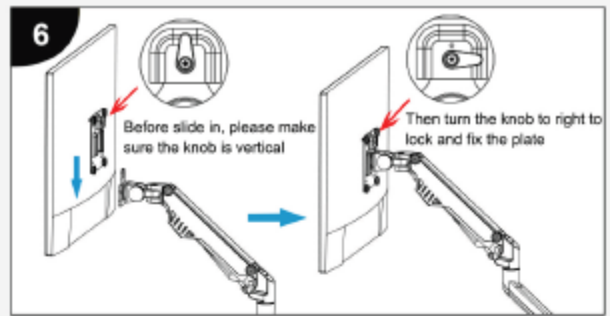
Step 1 - Lay monitor on a flat surface. Using the provided monitor screws (M4) secure VESA bracket to the back of monitor as shown in Figure #5.

Step 2 - Install monitor onto arm. Align VESA bracket to opening and slid into place as shown in Figure #6.

Step 3 - PC monitors up to 27" and 17.6lbs/ 8kg.

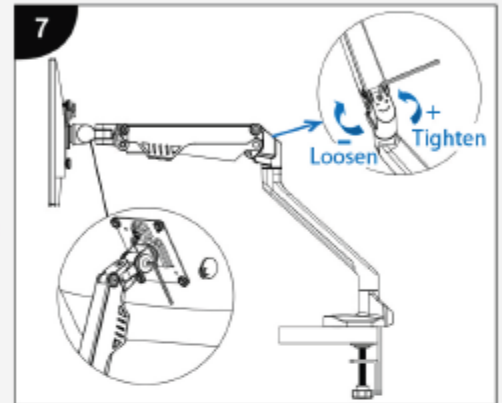


Clamp On Single Monitor Arm Installation Instructions



Adjust Arm Tension

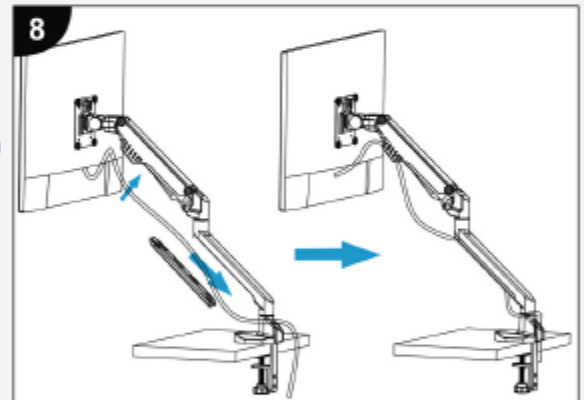
- Step 1** - In order to adjust the tension of the monitor arm according to the weight of the monitor the arm must be lowered to a horizontal position as shown in Figure #7.
- Step 2** - Using the provided Allen Wrench adjust the arm's tension to hold your arm in the proper position. Rotate the wrench counter-clockwise (+) to tighten the arm for heavier monitors. And rotate the wrench clockwise (-) to loosen the arm for lighter monitors.
- Step 3** - Using the provided allen wrench to tighten the screws for heavier monitors.





Cable Management

Monitor cables may be threaded through the upper and lower arm sections in order to complete the installation.

Note: An allowance of extra cable should be left to accommodate arm movement.



Parts list - Executive Series Single Monitor Arm

Item	Description	Quantity	Item	Description	Quantity
	Desk Clamp	1		Monitor Screw	4
	ARM	1		Allen Wrench	2
	Vesa Bracket	1		Grommet Plate and Clamp Screw	1