



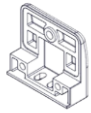
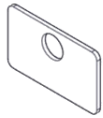



# Clip Screens

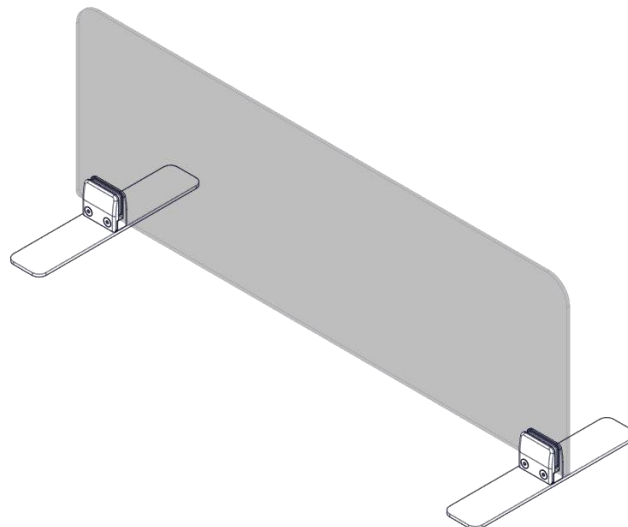
Date	Page No.	Description of change	Name
9/25/2020	1-26	Released	S. Powers
11/19/2020	5,7	Added thumb screw to under surface mount screens	S. Powers
3/25/2021	27-30	Added Divi panel top mount screens	S. Powers
7/29/2022	9-11	Added note to mount clips at edge of worksurface when installing linear frame screens	S. Powers
06/01/2023	31-36	Added Matrix Frameless Glass	S. Powers

Table of Contents	
Page No.	Screen Installation
2 - 3	Freestanding
4-8	Under Surface Mount Territory and Front/Rear
9-11	Surface Mount Territory and Front/Rear
12-18	Oxygen – Under Surface Mount Territory
19-23	Aloft – Under Surface Mount Territory and Front/Rear
24-26	Frameless Modesty
27-30	Divi Panel Top
31 - 36	Matrix Panel Top

# Clip Screens

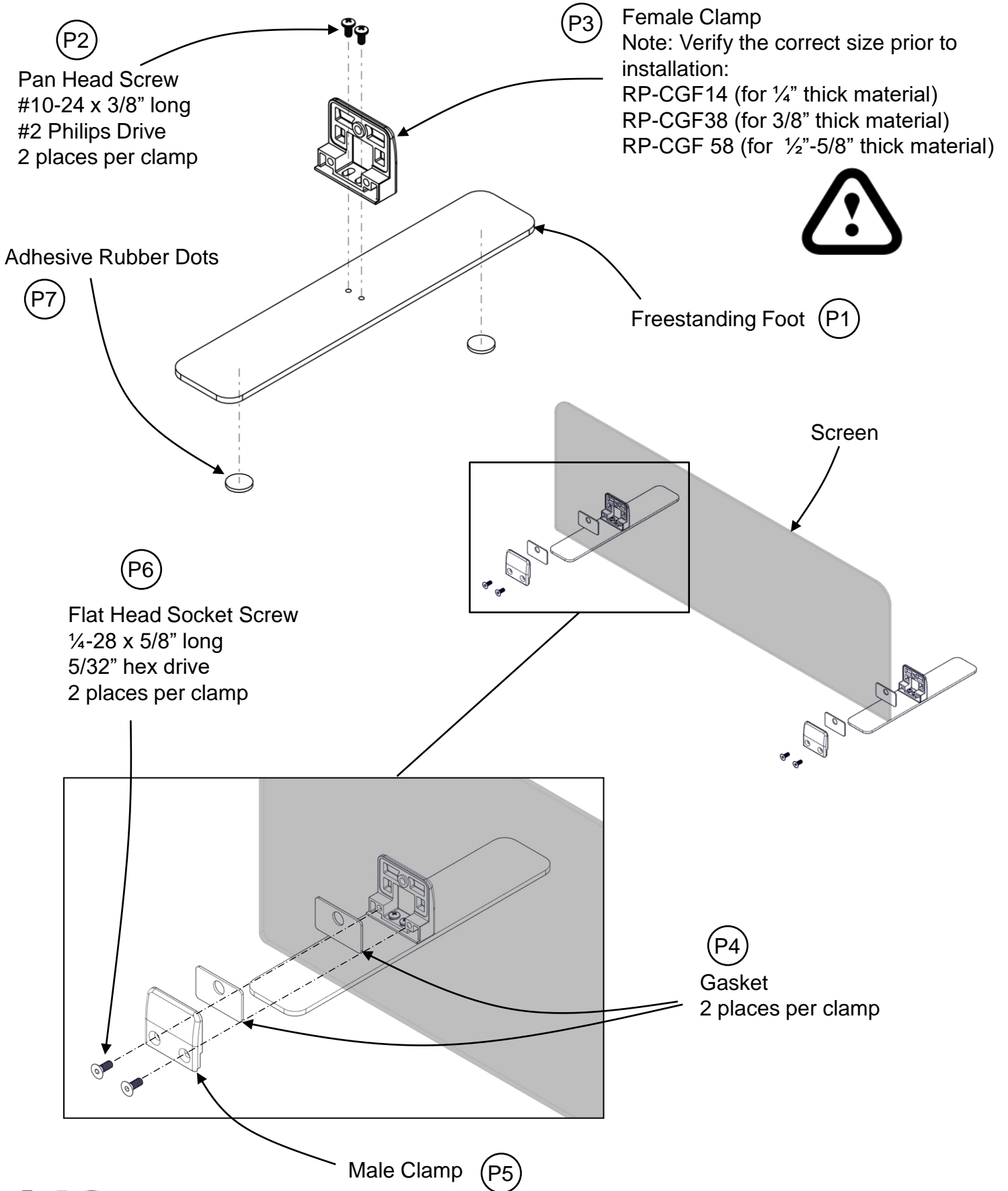
# Freestanding

Item	Replacement Part number	Circle Sheet Part Number	Description	Image
P1	RP-SP12	RP-SP12	Freestanding Foot	
P2	RH-90272A240	RH-90272A240	Pan Head Screw #10-24 x 3/8" long	
P3	RP-CGF14 (for 1/4") RP-CGF38 (for 3/8") RP-CGF 58 (for 1/2")	RP-CGF14 (for 1/4") RP-CGF38 (for 3/8") RP-CGF 58 (for 1/2")	Female Clamp	
P4	RP-UNFGCG	RP-UNFGCG	Gasket	
P5	RP-CGM-G	RP-CGM-G	Male Clamp	
P6	RH-MSSHf142858	RH-MSSHf142858	Flat Head Socket Screw 1/4-28 x 5/8" long	
P7	RH-34ARD	RH-34ARD	Adhesive Rubber Dots	



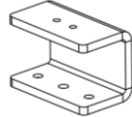
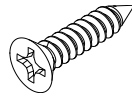

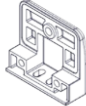
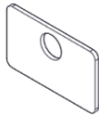
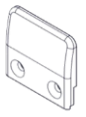

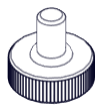
# Clip Screens

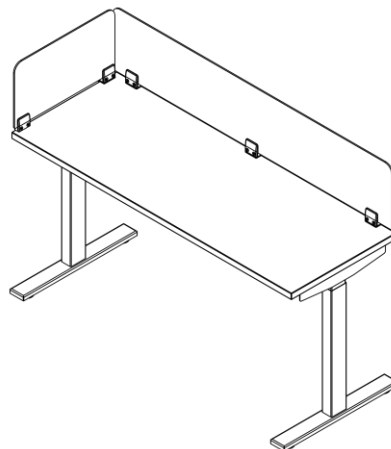
# Freestanding



# Clip Screens

# Under Surface Mount Territory and Front/Rear

Item	Replacement Part number	Circle Sheet Part Number	Description	Image
P1	RA-UMGC	RA-UMGC	Under Surface Mounting Bracket	
P2	RH-QS0978	RH-QS0978	Flat Head Screw #9 x 7/8" Long	
P3	RH-90272A240	RH-90272A240	Pan Head Screw #10-24 x 3/8" long	
P4	RP-CGF14 (for 1/4") RP-CGF38 (for 3/8") RP-CGF 58 (for 1/2")	RP-CGF14 (for 1/4") RP-CGF38 (for 3/8") RP-CGF 58 (for 1/2")	Female Clamp for 1/4", 3/8" or 1/2" screens	
P5	RP-UNFGCG	RP-UNFGCG	Gasket	
P6	RP-CGM-G	RP-CGM-G	Male Clamp	
P7	RH-MSSHf142858	RH-MSSHf142858	Flat Head Socket Screw 1/4-28 x 5/8" long	
P8	A-TS	A-TS	Thumb Screw	

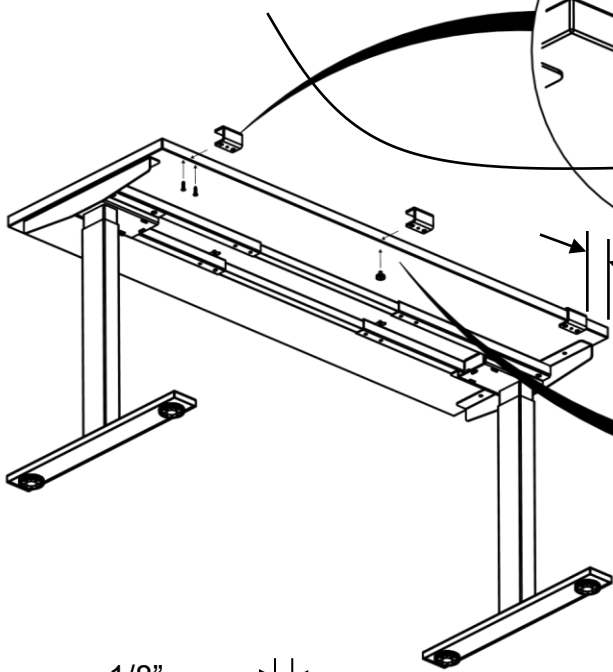


# Clip Screens

# Under Surface Mount - Front/Rear

OPTION 1

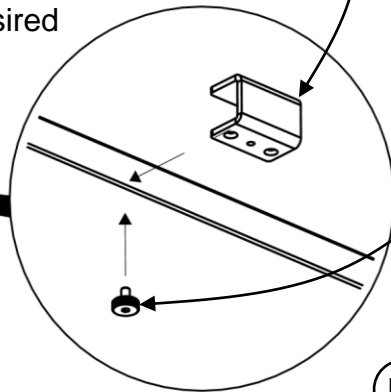
- (P2) #9 x 7/8" Flat head screw
- #2 Philips drive
- 2 places per bracket



Under Surface Mount Bracket (P1)

OPTION 2

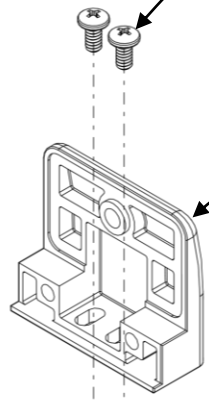
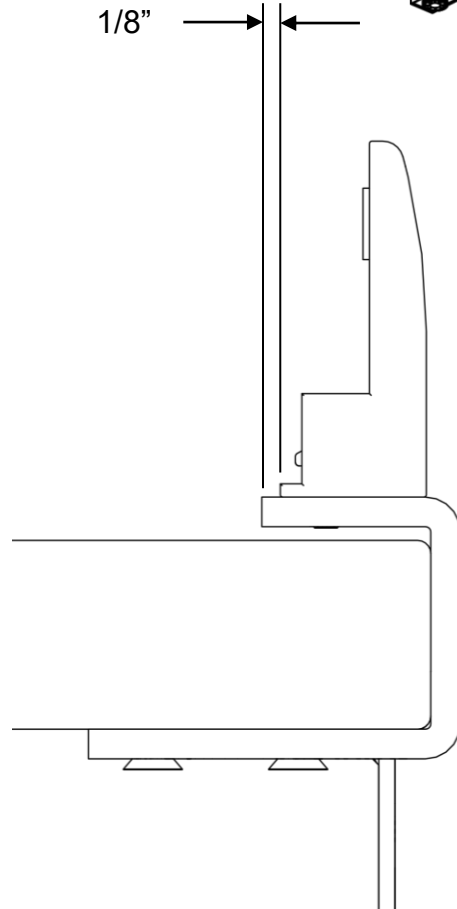
As desired



(P8) Thumb Screw  
(Purchased separately)

(P3)

- #10-24 x 3/8" long Pan Head Screw
- #2 Philips drive
- 2 places per bracket



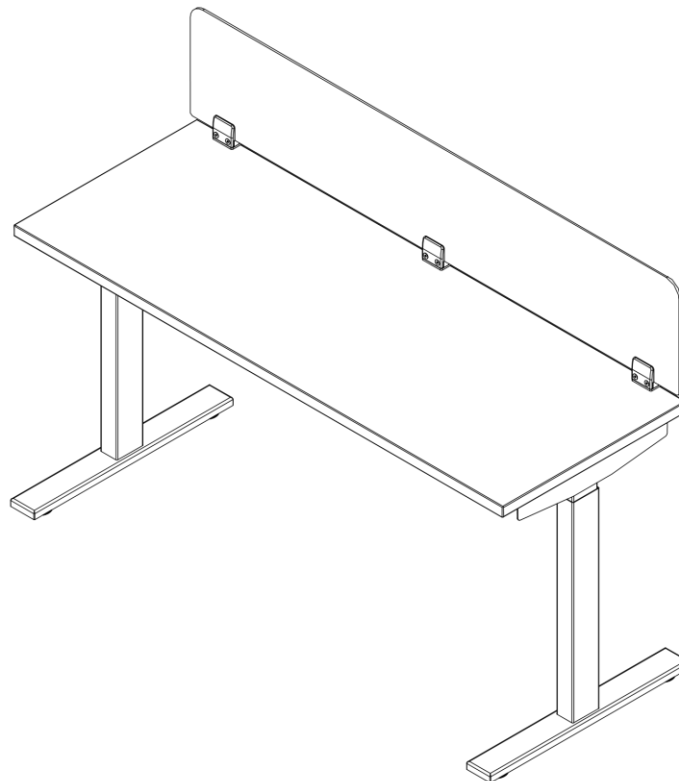
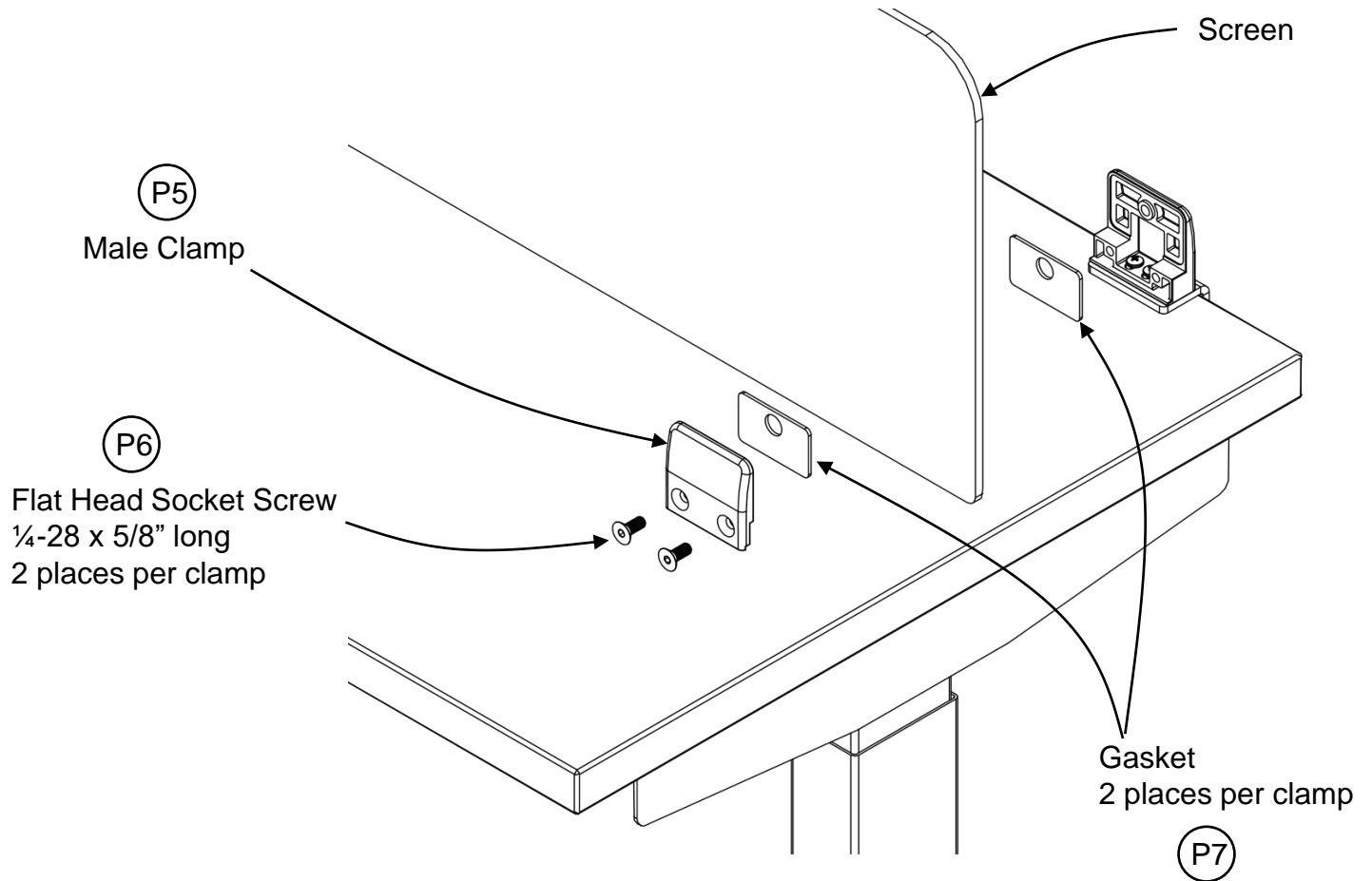
(P4) Female Clamp  
Note: Verify the correct size prior to installation:  
RP-CGF14 (for 1/4" thick material)  
RP-CGF38 (for 3/8" thick material)  
RP-CGF 58 (for 1/2"-5/8" thick material)

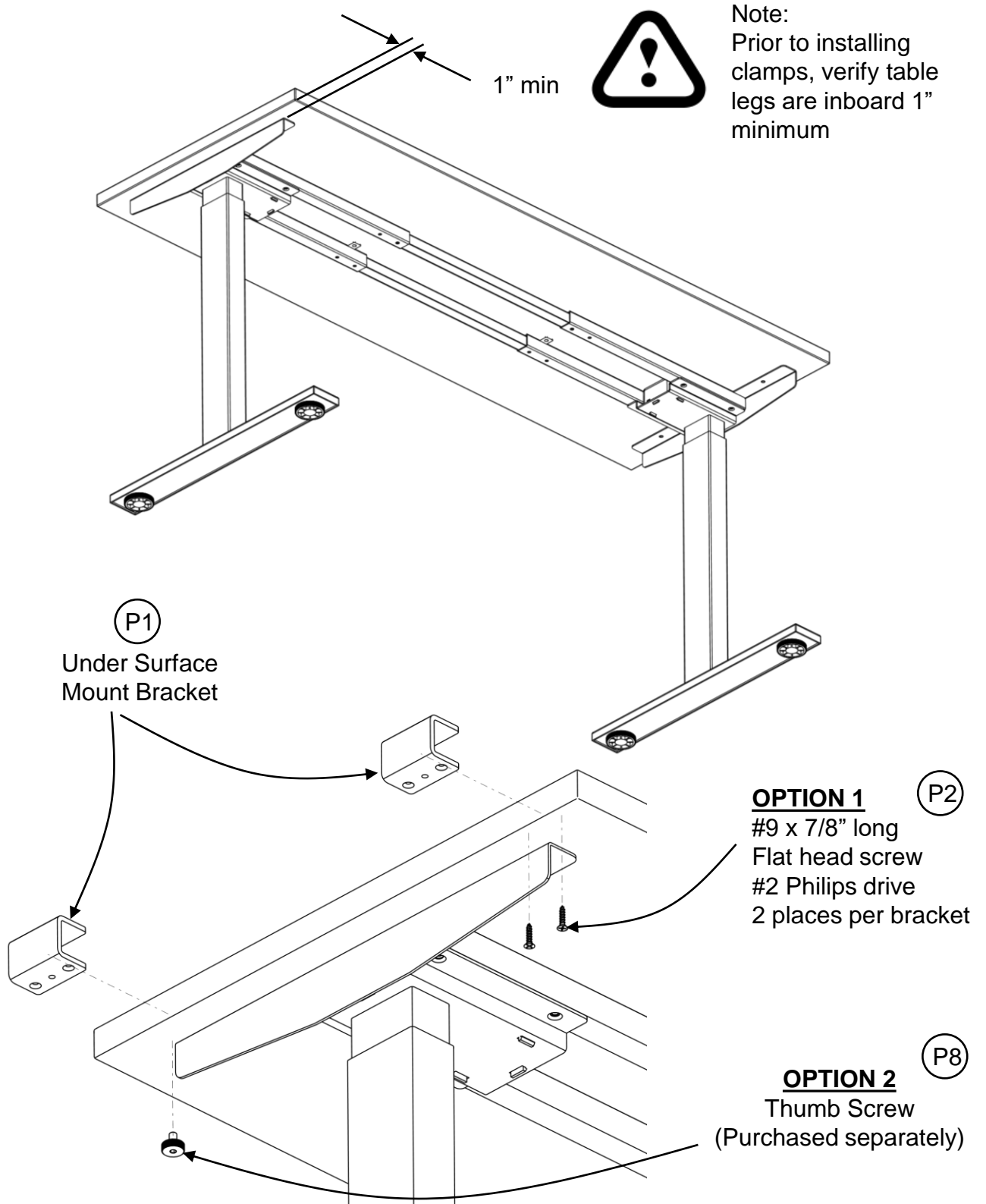


Note: When installing linear frame screens, the clamps must be located at the edge of the screen.

# Clip Screens

## Under Surface Mount - Front/Rear





# Clip Screens

# Under Surface Mount - Territory

(P3)

#10-24 x 3/8" long  
Pan Head Screw  
#2 Philips drive  
2 places per bracket

(P4)

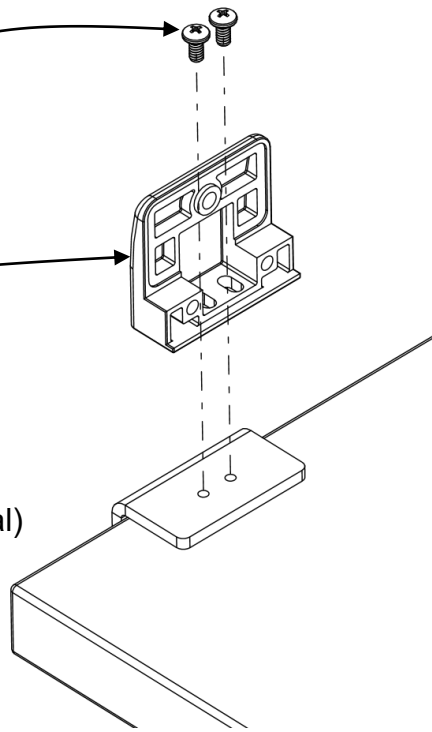
Female Clamp

Note: Verify the correct size  
prior to installation:

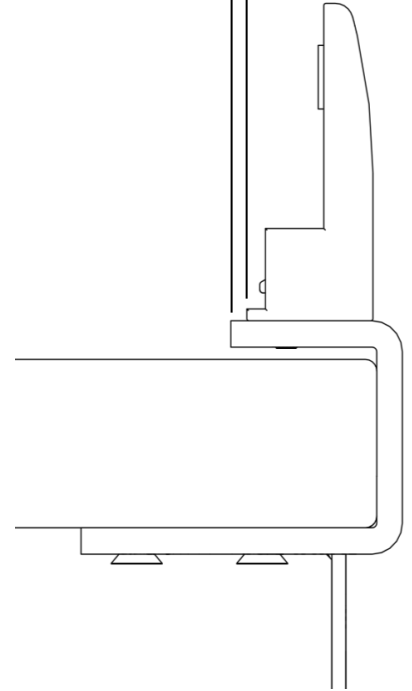
RP-CGF14 (for 1/4" thick material)

RP-CGF38 (for 3/8" thick material)

RP-CGF 58 (for 1/2"-5/8" thick material)



1/8" → ←



Screen

(P6)

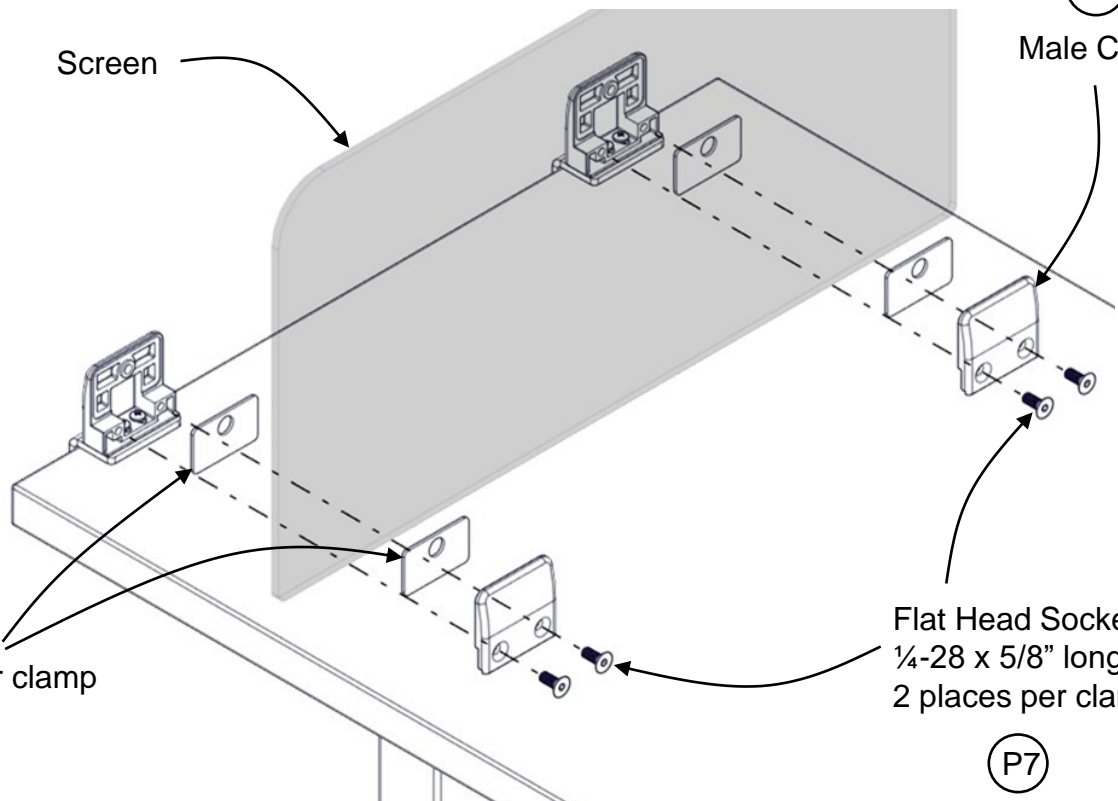
Male Clamp

Gasket  
2 places per clamp

(P5)

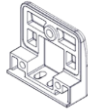




Flat Head Socket Screw  
1/4-28 x 5/8" long  
2 places per clamp

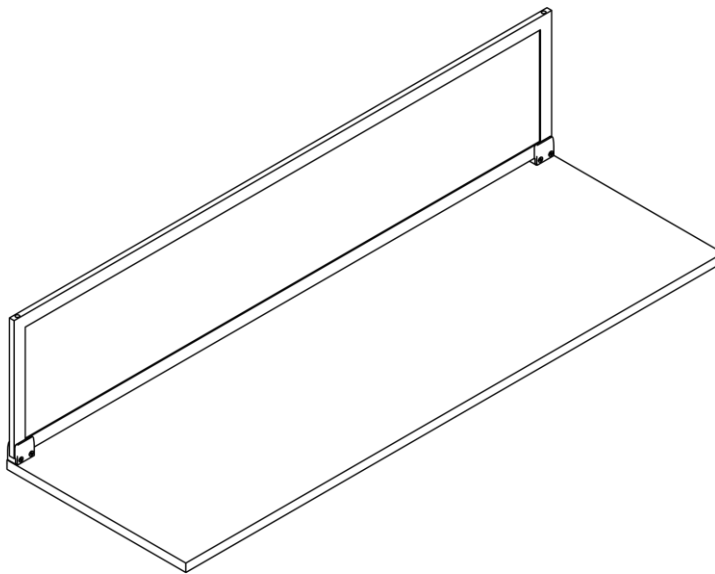
(P7)



# Clip Screens

# Surface Mount Territory and Front/Rear

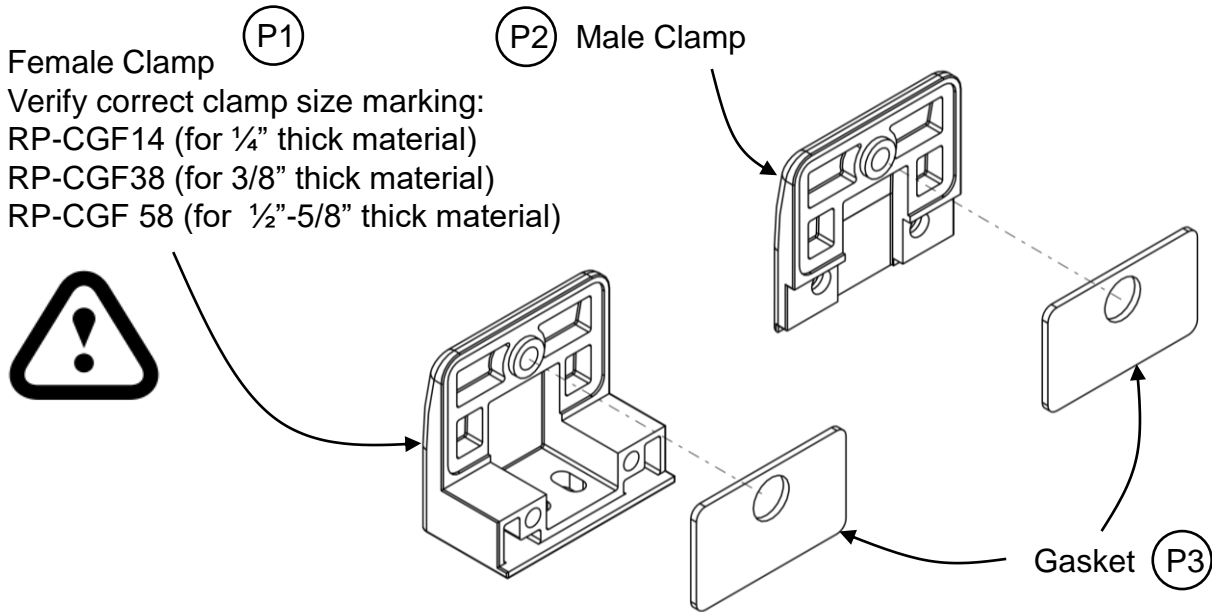
Item	Replacement Part number	Circle Sheet Part Number	Description	Image
P1	RP-CGF14 (for 1/4") RP-CGF38 (for 3/8") RP-CGF 58 (for 1/2")	RP-CGF14 (for 1/4") RP-CGF38 (for 3/8") RP-CGF 58 (for 1/2")	Female Clamp	
P2	RP-CGM-G	RP-CGM-G	Male Clamp	
P3	RP-UNFGCG	RP-UNFGCG	Gasket	
P4	RH-QS0978	RH-QS0978	Flat Head Screw #9 x 7/8" Long	
P5	RH-MSSHf142858	RH-MSSHf142858	Flat Head Socket Screw 1/4-28 x 5/8" long	



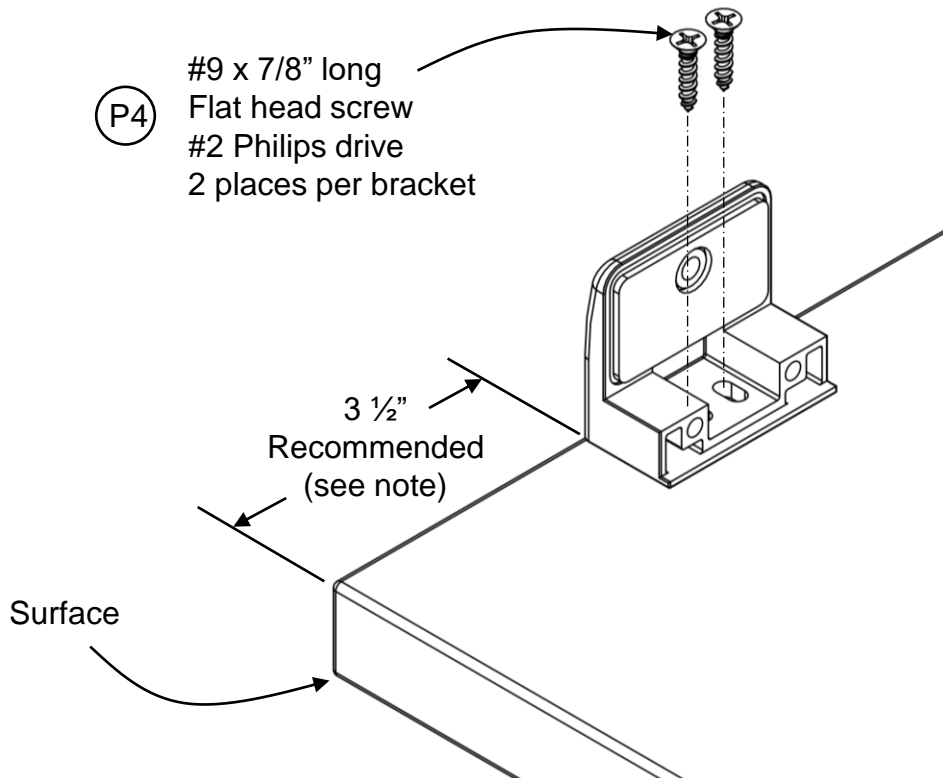
# Clip Screens

# Surface Mount Territory and Front/Rear

**Step 1:** Apply the foam rubber stickers to male and female clamp parts.



**Step 2:** Position female clamp as desired and secure to surface .



Note: When installing linear frame screens, the clamps must be located at the edge of the screen.



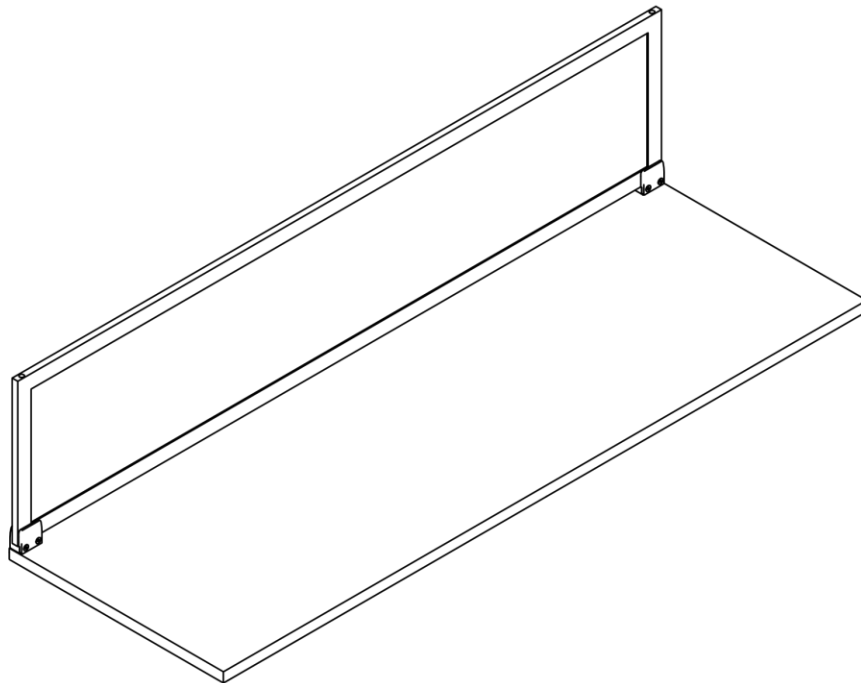
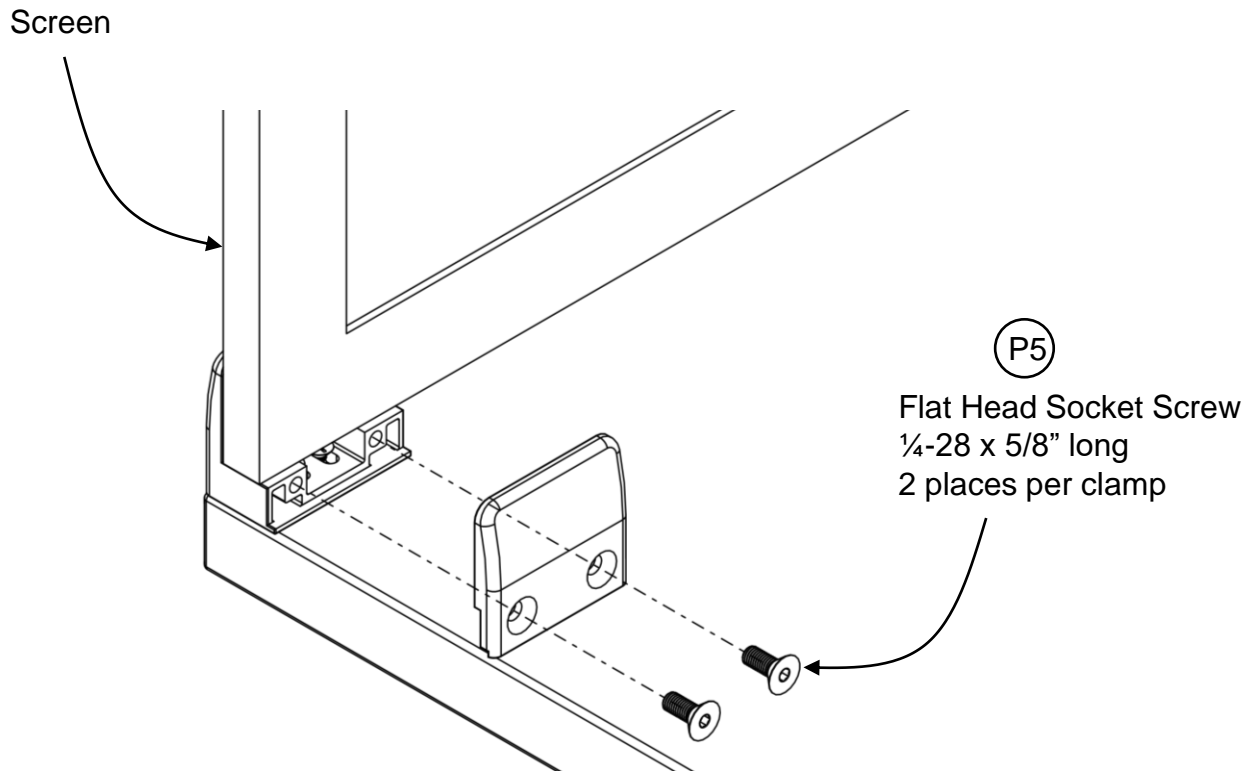
Screens 24" – 54" W:  
Use 2 clamps per screen

Screens 60"+:  
Use 4 clamps per screen

# Clip Screens

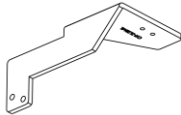

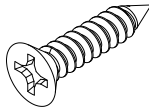
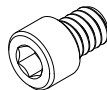
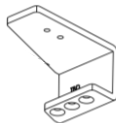
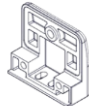




# Surface Mount Territory and Front/Rear


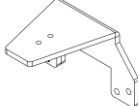
**Step 3:** Loosely connect male and female clamps using 1/4-28 screws.  
Position screen as desired and tighten screws to firmly secure in place.



# Clip Screens

# Oxygen- Under Surface Mount Territory

Item	Replacement Part number	Circle Sheet Part Number	Description	Image
P1	OX-RTCUR (right) OX-RTCUL (left)	OX-RTCUR (right) OX-RTCUL (left)	Territory Under Mount Rear Bracket Left/Right	
P2	OX-SLSBMB	OX-SLSBMB	Territory Screen Back Mounting Bracket	
P3	RH-QS0978	RH-QS0978	Flat Head Screw #9 x 7/8" Long	
P4	RH-SHB1420516BI	RH-SHB1420516BI	Hex Cap Screw 1/4-20 x 5/16" long	
P5	RA-RTCUR (right) RA-RTCUL (left)	RA-RTCUR (right) RA-RTCUL (left)	Territory Under Mount Front Bracket Left/Right	
P6	RP-CGF14 (for 1/4") RP-CGF38 (for 3/8") RP-CGF 58 (for 1/2")	RP-CGF14 (for 1/4") RP-CGF38 (for 3/8") RP-CGF 58 (for 1/2")	Female Clamp	
P7	RH-90272A240	RH-90272A240	Pan Head Screw #10-24 x 3/8" long	
P8	RP-UNFGCG	RP-UNFGCG	Gasket	
P9	RP-CGM-G	RP-CGM-G	Male Clamp	
P10	RH-MSSHf142858	RH-MSSHf142858	Flat Head Socket Screw 1/4-28 x 5/8" long	

Item	Replacement Part number	Circle Sheet Part Number	Description	Image
P11	OX-FTCUS	OX-FTCUS	Territory Under Mount Front Center Bracket	
P12	OX-RTCUS	OX-RTCUS	Territory Under Mount Rear Center Bracket	

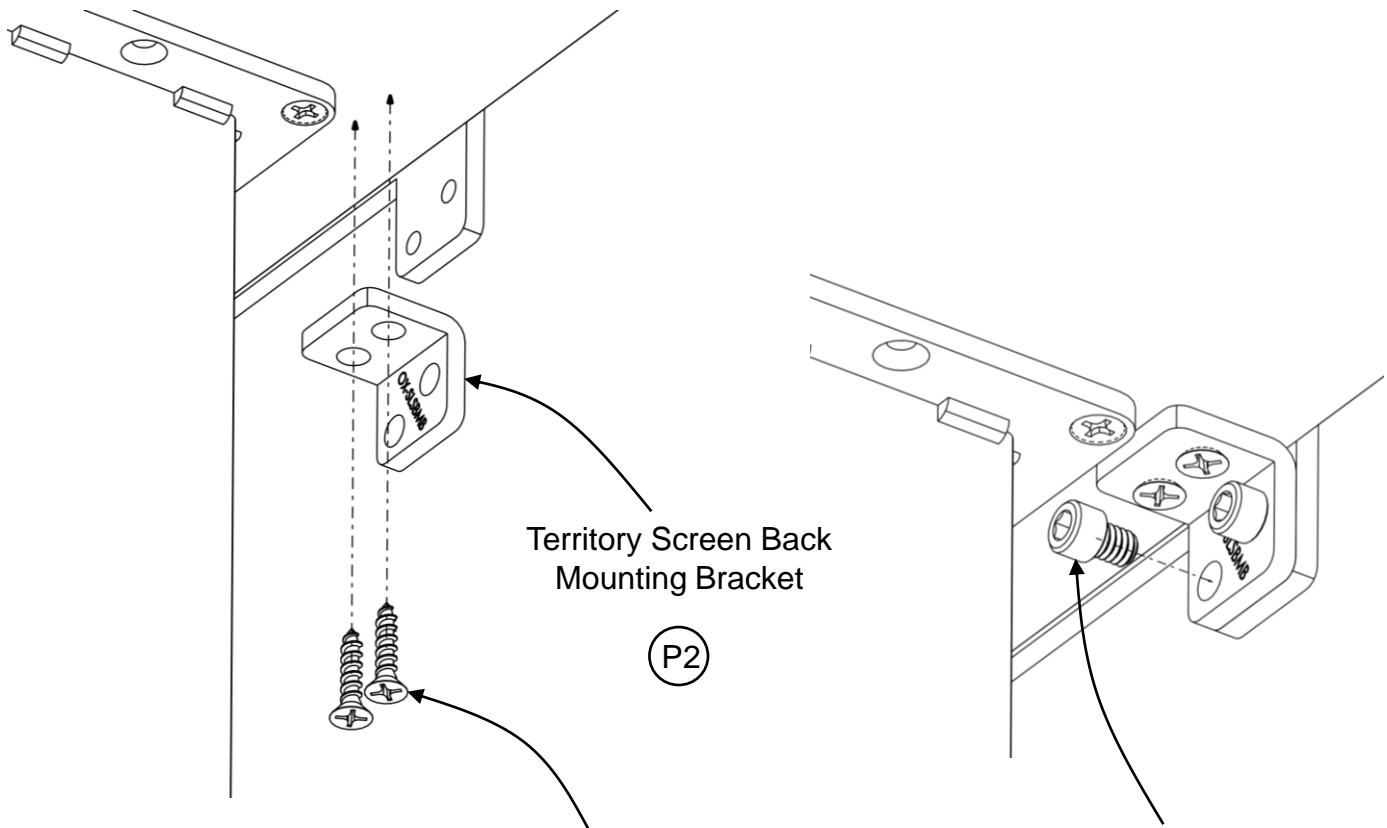
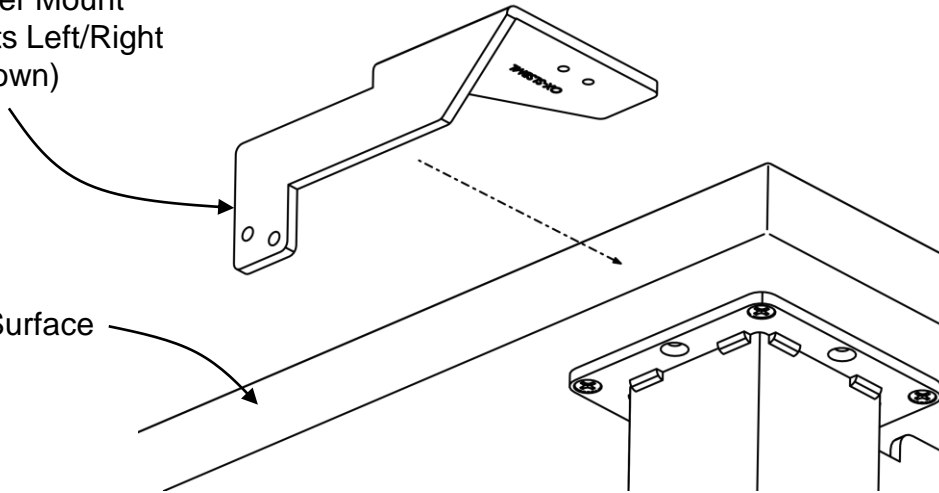
# Clip Screens

# Oxygen- Under Surface Mount Territory - End

(P1)

Territory Under Mount  
Rear Brackets Left/Right  
(left hand shown)

Rear of Surface



Territory Screen Back  
Mounting Bracket

(P2)

(P3)

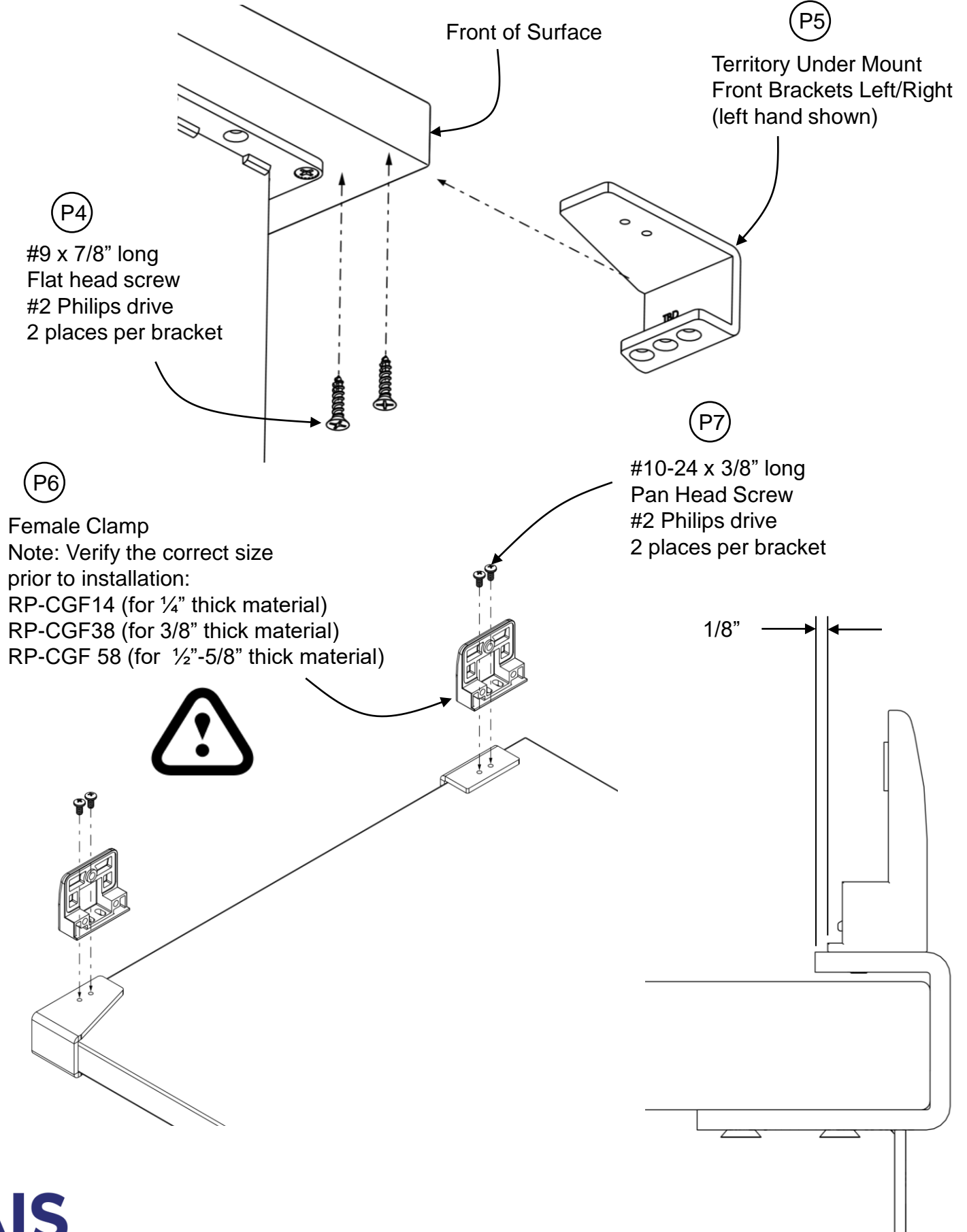
#9 x 7/8" long  
Flat head screw  
#2 Philips drive  
2 places per bracket

1/4-20 x 5/16 inch  
Hex Cap screw  
2 Places

(P4)

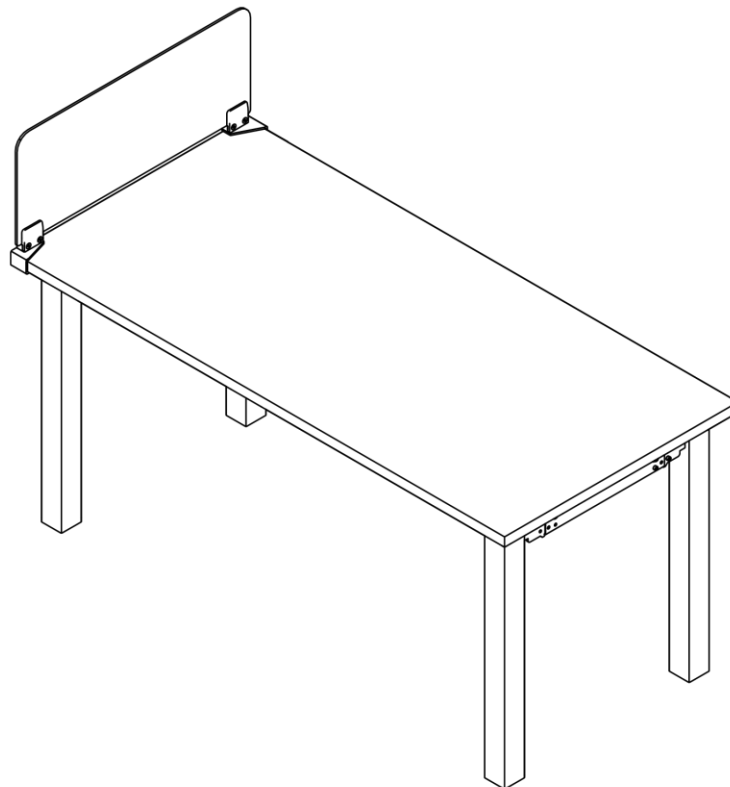
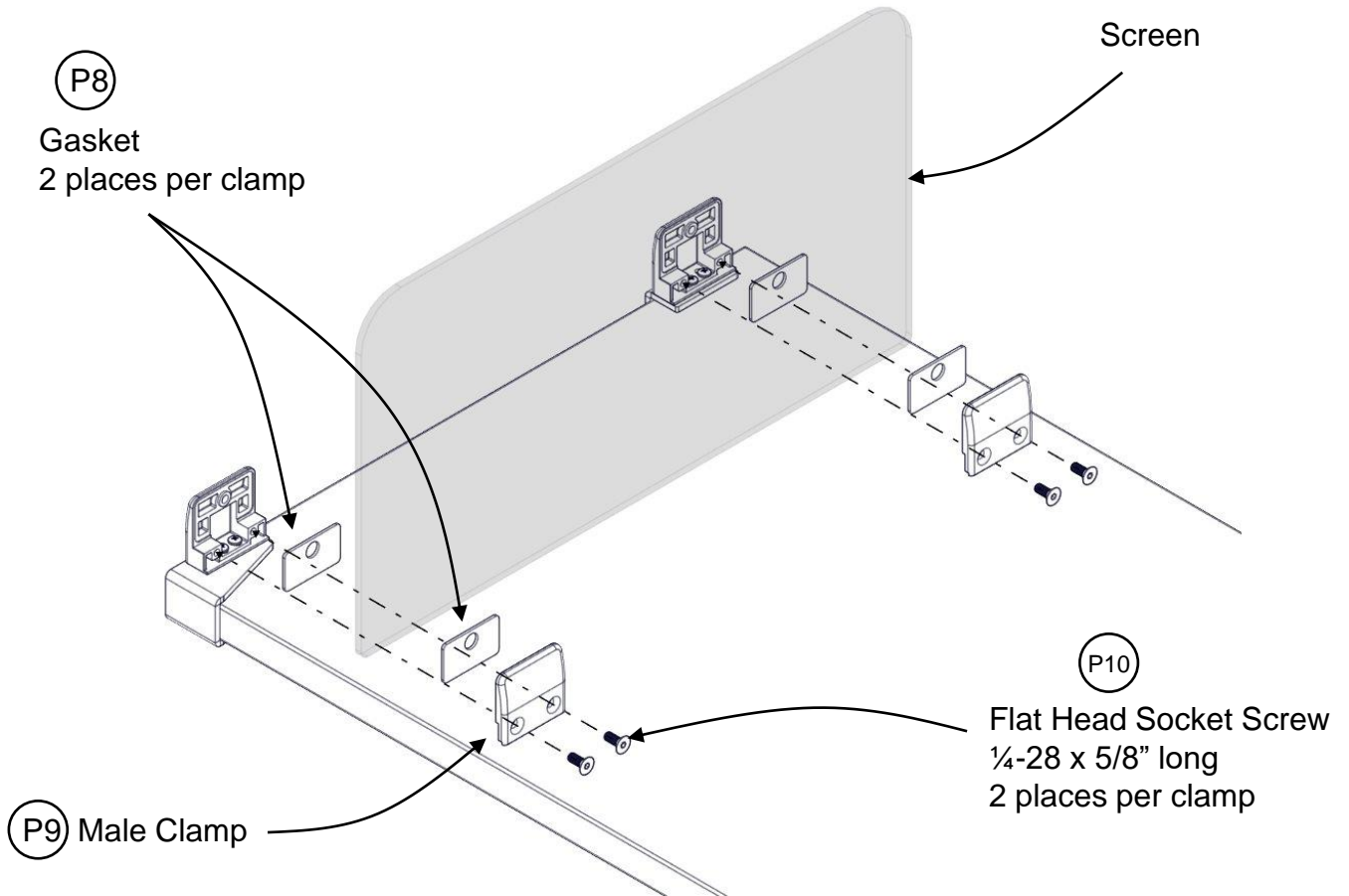
# Clip Screens

# Oxygen- Under Surface Mount Territory - End



# Clip Screens

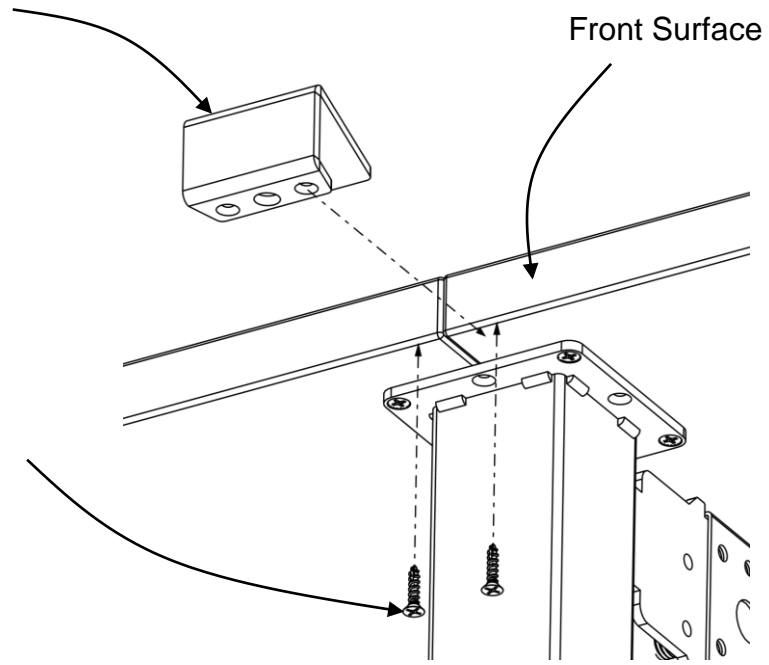
## Oxygen- Under Surface Mount Territory - End



# Clip Screens

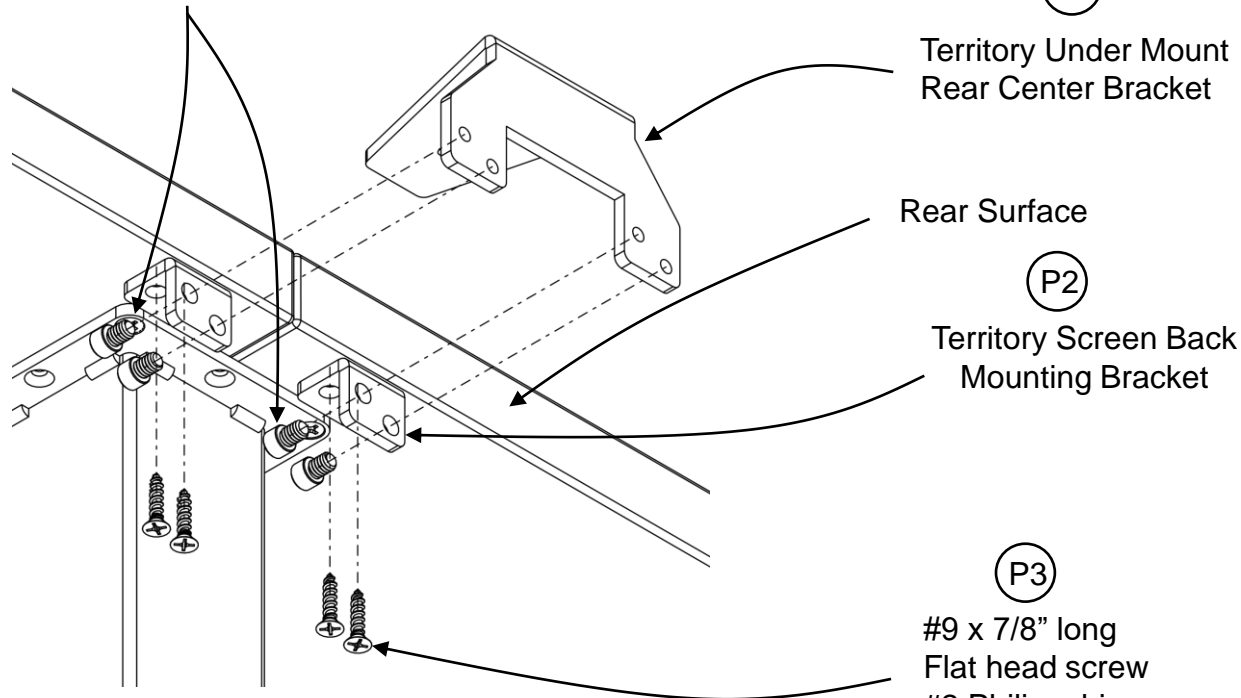
# Oxygen- Under Surface Mount Territory - Shared

(P11) Territory Under Mount  
Front Center Bracket



(P3)  
#9 x 7/8" long  
Flat head screw  
#2 Philips drive  
2 places per bracket

(P4)  
1/4-20 x 5/16 inch  
Hex Cap screw  
4 Places



(P12)  
Territory Under Mount  
Rear Center Bracket

(P2)  
Territory Screen Back  
Mounting Bracket

(P3)  
#9 x 7/8" long  
Flat head screw  
#2 Philips drive  
4 places per bracket

# Clip Screens

# Oxygen- Under Surface Mount Territory - Shared

#10-24 x 3/8" long  
Pan Head Screw  
#2 Philips drive  
2 places per bracket

(P7)



Note: To insure proper alignment, center slot in the female clamp over the holes into the brackets.

Female Clamp

(P6)

(P9)  
Male Clamp

Screen

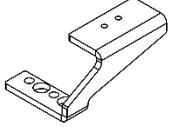
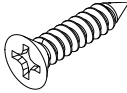
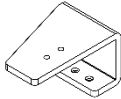
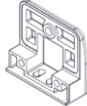


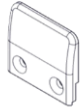

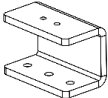
(P8) Gasket  
2 places per clamp

Flat Head Socket Screw  
1/4-28 x 5/8" long  
2 places per clamp

(P10)

# Clip Screens

# Aloft - Under Surface Mount Territory and Rear/Front

Item	Replacement Part number	Circle Sheet Part Number	Description	Image
P1	OX-BRTCUL (left) OX-BRTCUL (right)	OX-BRTCUL (left) OX-BRTCUL (right)	Territory Under Surface Rear Mounting Bracket Left or Right Handed	
P2	RH-QS0978	RH-QS0978	Flat Head Screw #9 x 7/8" Long	
P3	RA-RTCUL (left) RA-RTCUR (right)	RA-RTCUL (left) RA-RTCUR (right)	Territory Under Surface Front Mounting Bracket Left or Right Handed	
P4	RP-CGF14 (for 1/4") RP-CGF38 (for 3/8") RP-CGF 58 (for 1/2")	RP-CGF14 (for 1/4") RP-CGF38 (for 3/8") RP-CGF 58 (for 1/2")	Female Clamp	
P5	RH-90272A240	RH-90272A240	Pan Head Screw #10-24 x 3/8" long	
P6	RP-UNFGCG	RP-UNFGCG	Gasket	
P7	RP-CGM-G	RP-CGM-G	Male Clamp	
P8	RH-MSSH142858	RH-MSSH142858	Flat Head Socket Screw 1/4-28 x 5/8" long	
P9	RA-UMGC	RA-UMGC	Under Surface Mounting Bracket	

# Clip Screens

# Aloft - Under Surface Mount Territory

**(P1)**  
Territory Under Mount  
Rear Brackets Left/Right  
(left hand shown)

Territory Under Mount  
Front Brackets Left/Right  
(left hand shown)

**(P3)**

**(P2)**

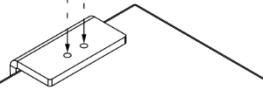
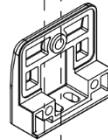
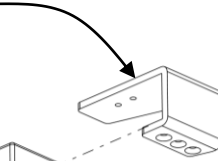
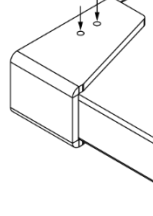
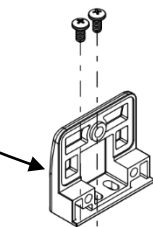
#9 x 7/8" long  
Flat head screw  
#2 Philips drive  
2 places per bracket

#10-24 x 3/8" long  
Pan Head Screw  
#2 Philips drive  
2 places per bracket

**(P4)**

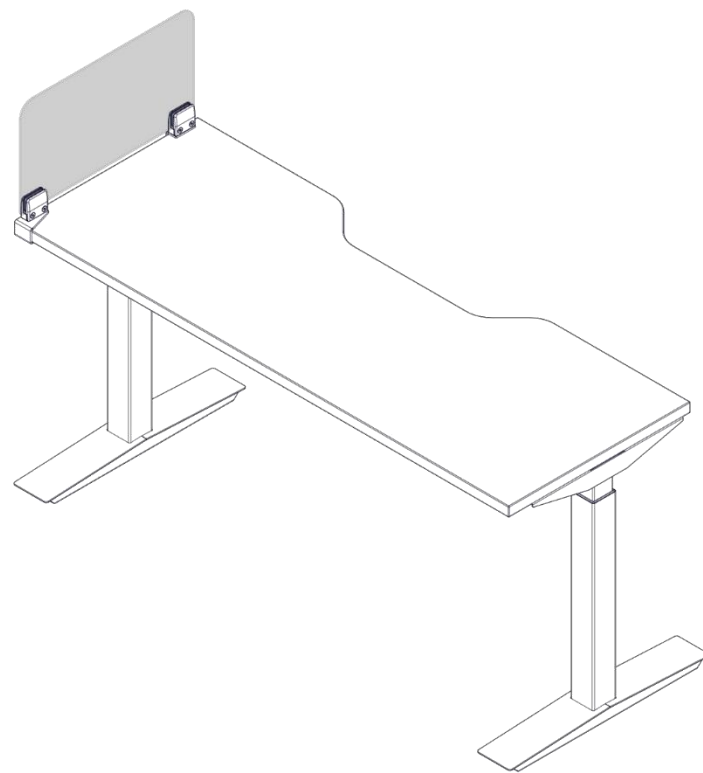
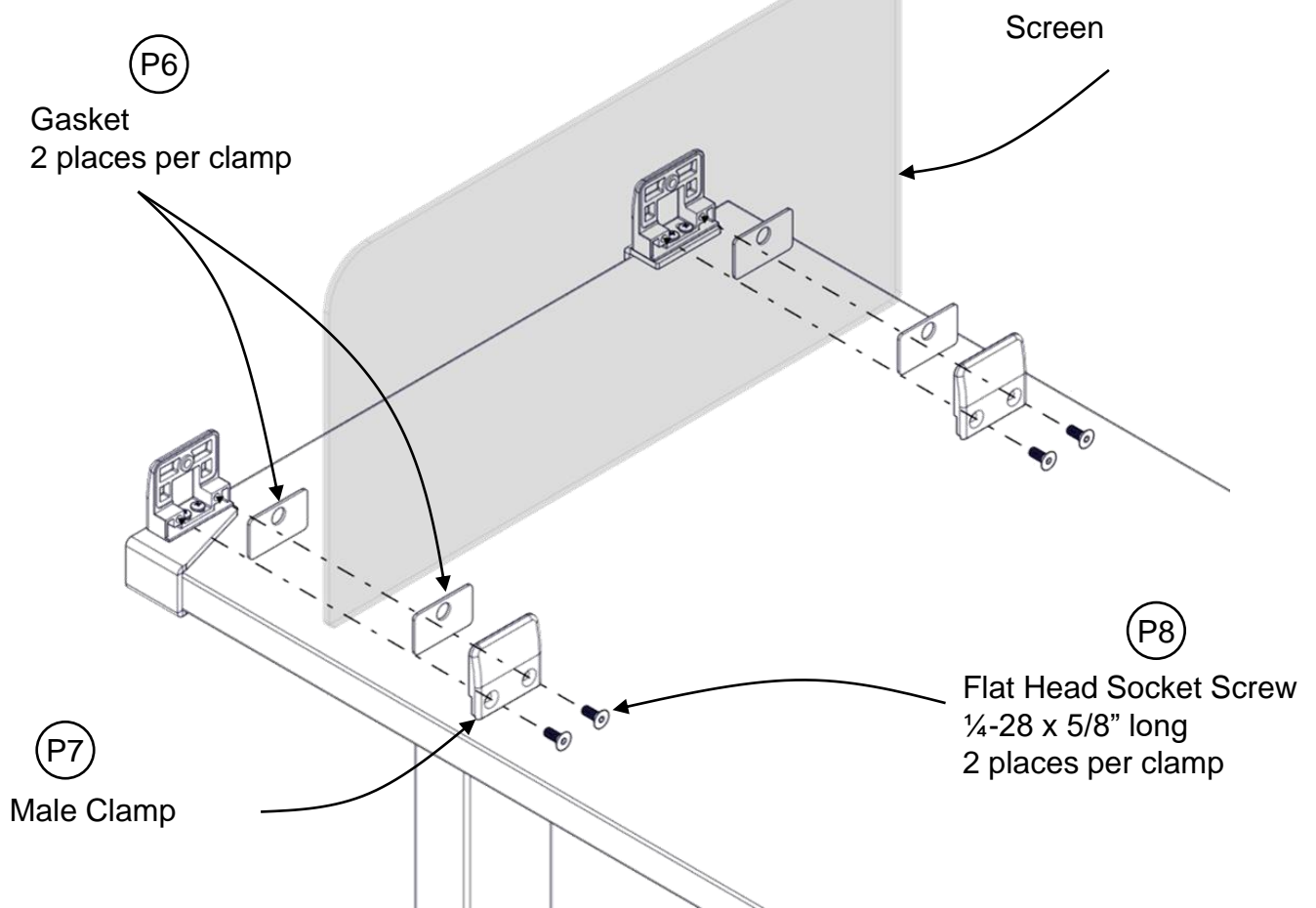
Female Clamp  
Note: Verify the correct size  
prior to installation:  
RP-CGF14 (for 1/4" thick material)  
RP-CGF38 (for 3/8" thick material)  
RP-CGF 58 (for 1/2"-5/8" thick material)

**(P5)**



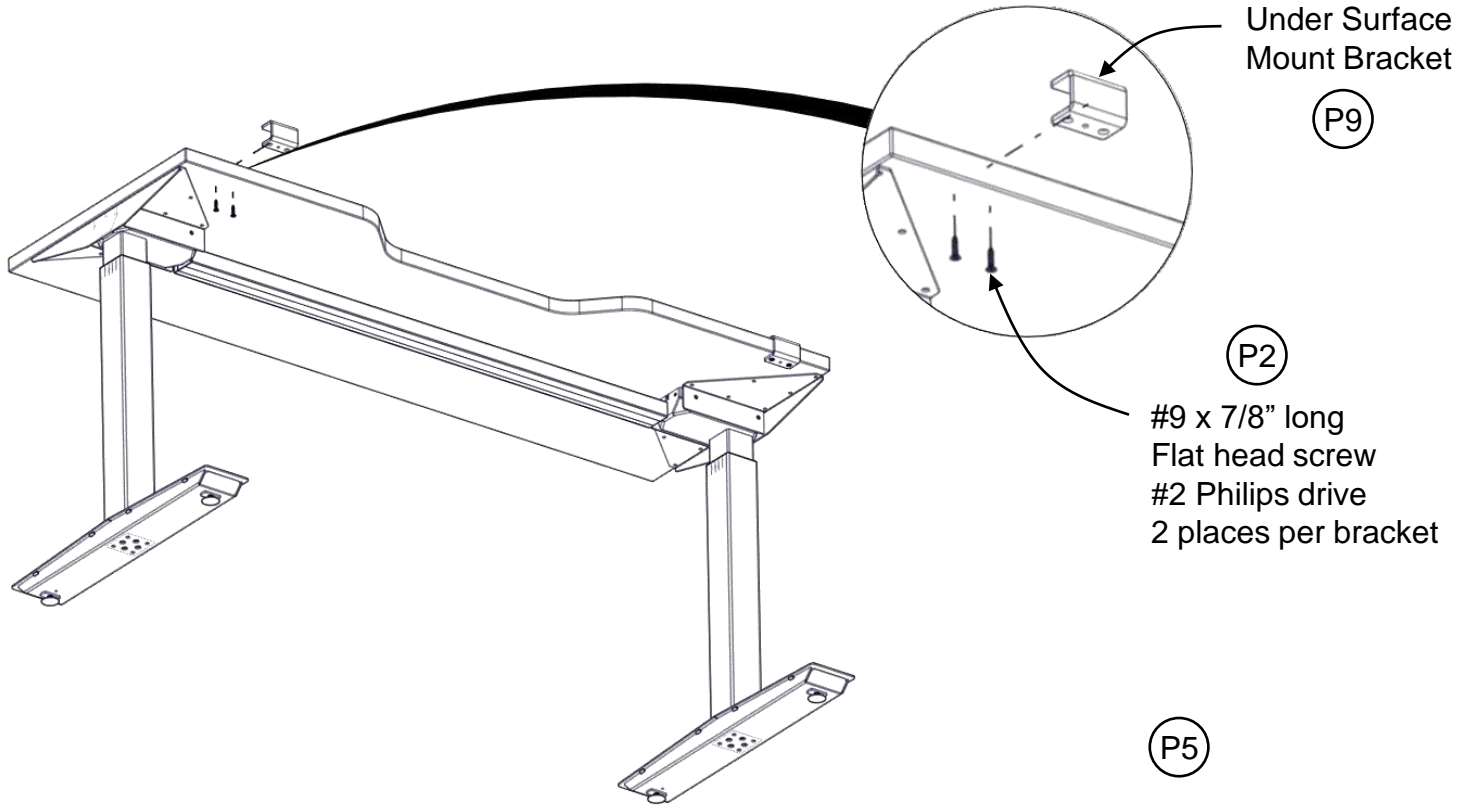
# Clip Screens

# Aloft - Under Surface Mount Territory



# Clip Screens

## Aloft - Under Surface Mount Rear/Front



Under Surface Mount Bracket

(P9)

(P2)

#9 x 7/8" long  
Flat head screw  
#2 Philips drive  
2 places per bracket

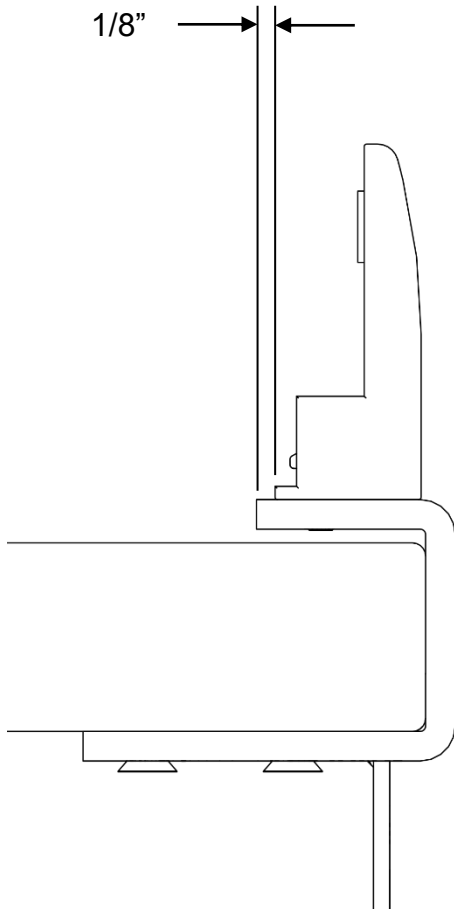
(P5)

#10-24 x 3/8" long  
Pan Head Screw  
#2 Philips drive  
2 places per bracket

(P4)

Female Clamp  
Note: Verify the correct size prior to installation:  
RP-CGF14 (for 1/4")  
RP-CGF38 (for 3/8")  
RP-CGF 58 (for 1/2")

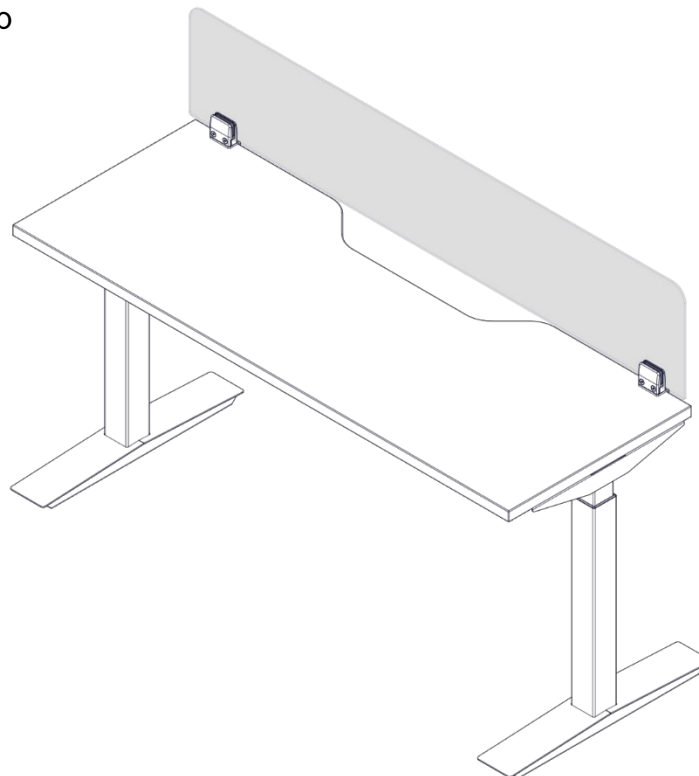
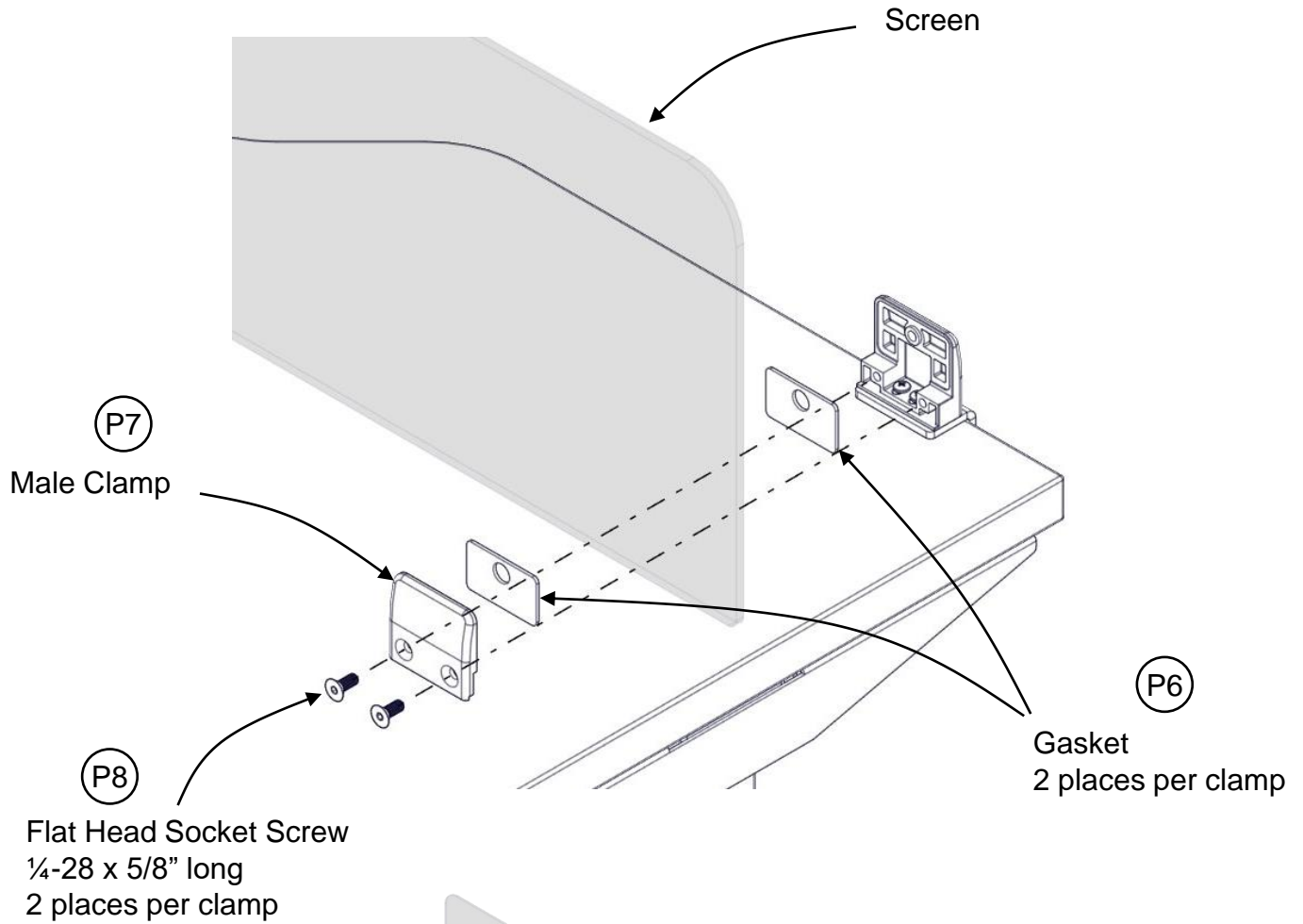
1/8" → ←



Note: When installing linear frame screens, the clamps must be located at the edge of the screen.

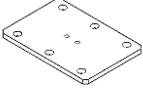

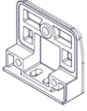

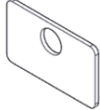



# Clip Screens

# Aloft - Under Surface Mount Rear/Front



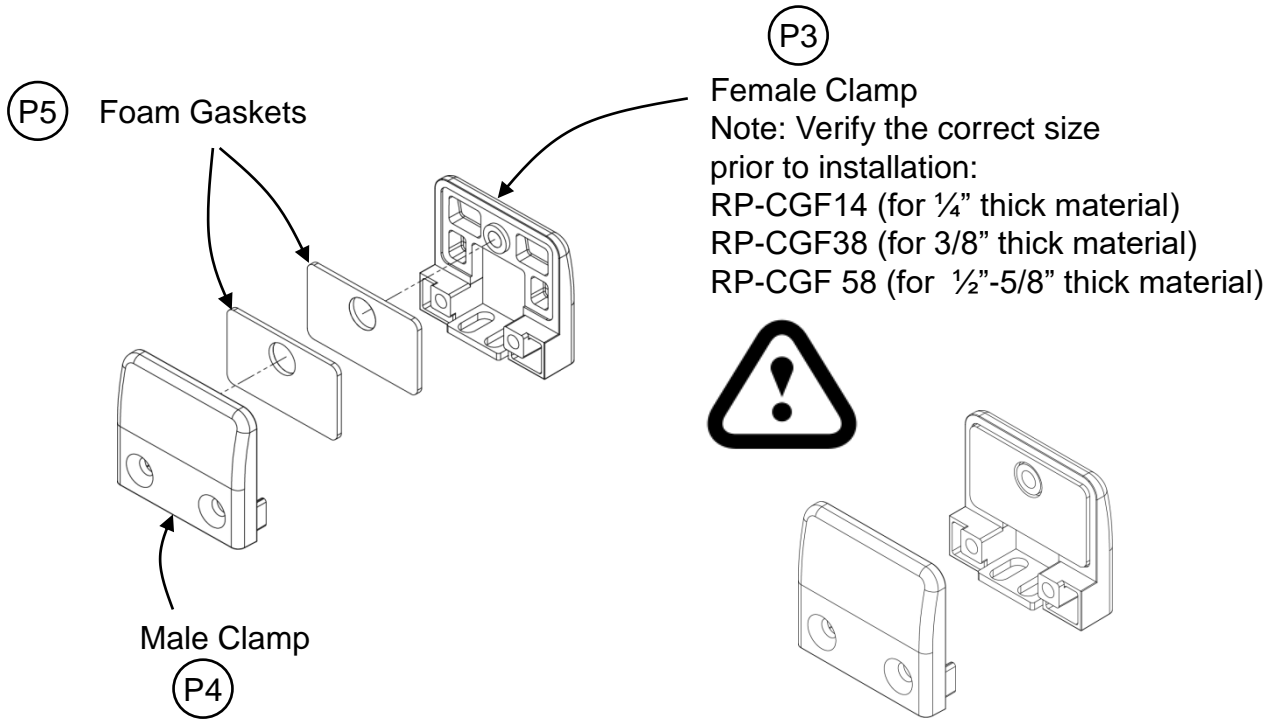
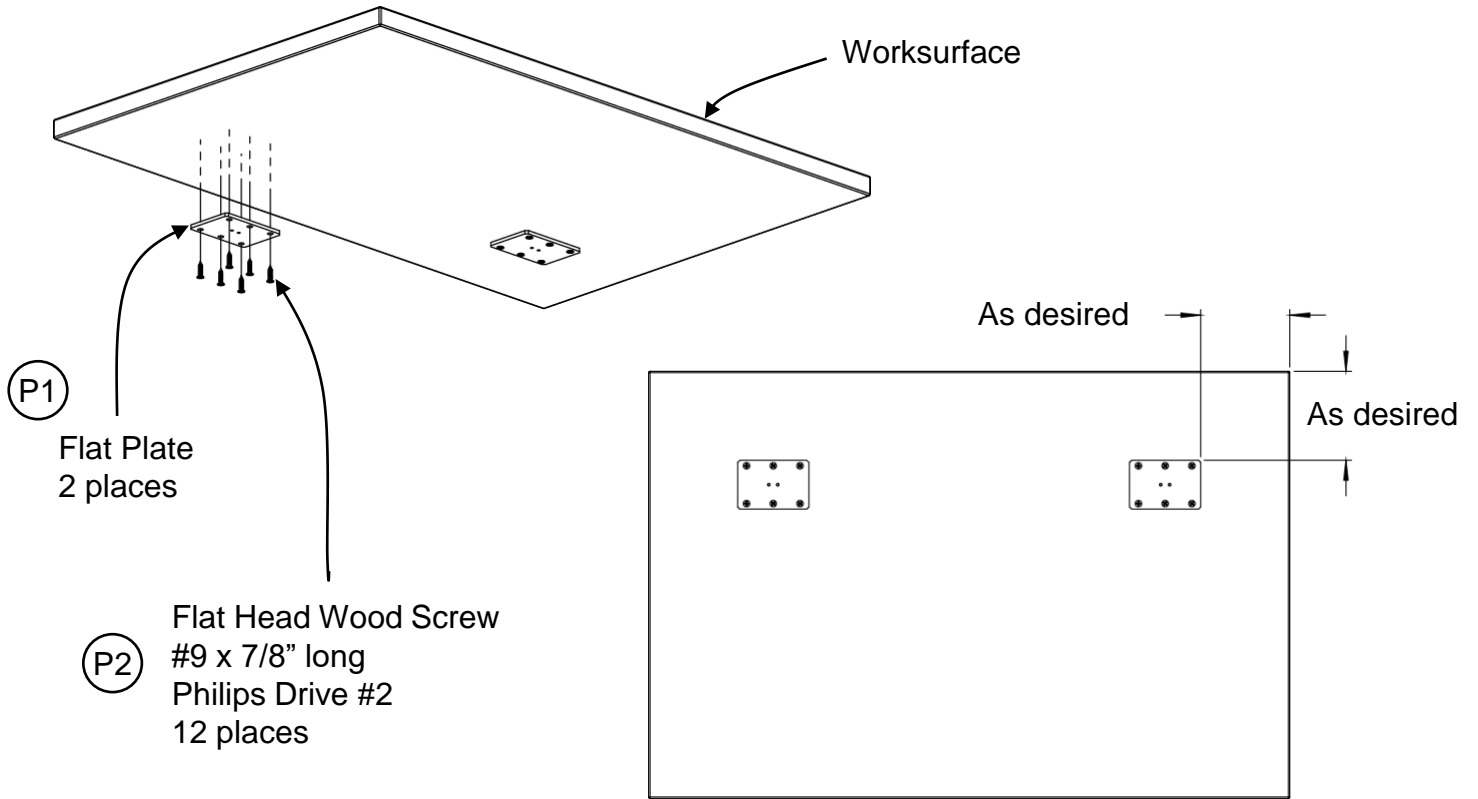
# Clip Screens

# Frameless Modesty

Item	Replacement Part number	Circle Sheet Part Number	Description	Image
P1	RSP-0000003629	RSP-0000003629	Flat Plate	
P2	RH-QS0978	RH-QS0978	Flat Head Screw #9 x 7/8" Long	
P3	RP-CGF14 (for 1/4") RP-CGF38 (for 3/8") RP-CGF 58 (for 1/2")	RP-CGF14 (for 1/4") RP-CGF38 (for 3/8") RP-CGF 58 (for 1/2")	Female Clamp	
P4	RP-CGM-G	RP-CGM-G	Male Clamp	
P5	RP-UNFGCG	RP-UNFGCG	Gasket	
P6	RH-90272A240	RH-90272A240	Pan Head Screw #10-24 x 3/8" long	
P7	RH-SHBSC142012	RH-SHBSC142012	Set Screw 1/4-20 x 1/2"	
P8	RH-MSSHf142858	RH-MSSHf142858	Flat Head Socket Screw 1/4-28 x 5/8" long	

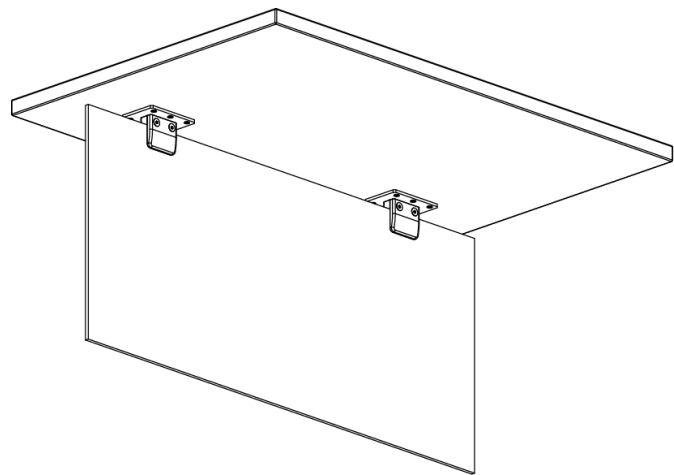
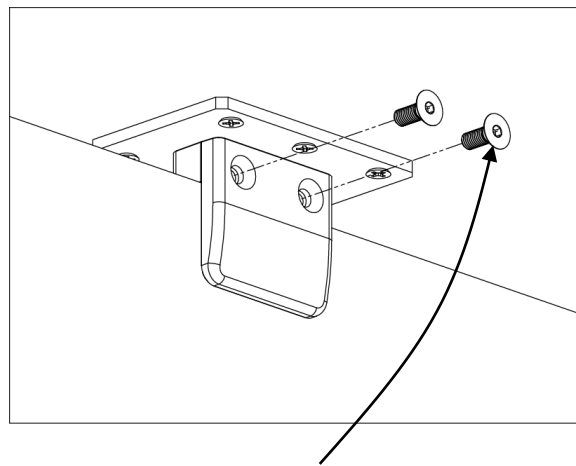
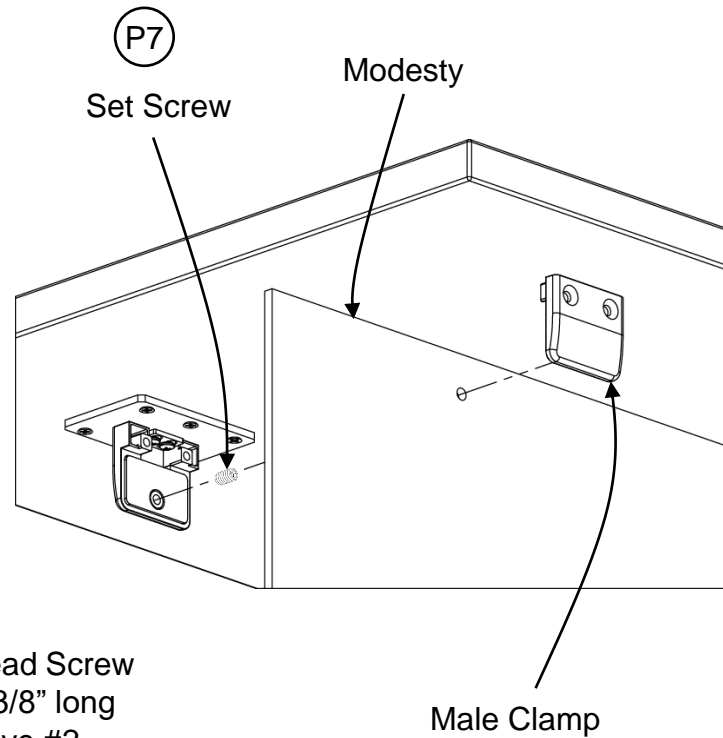
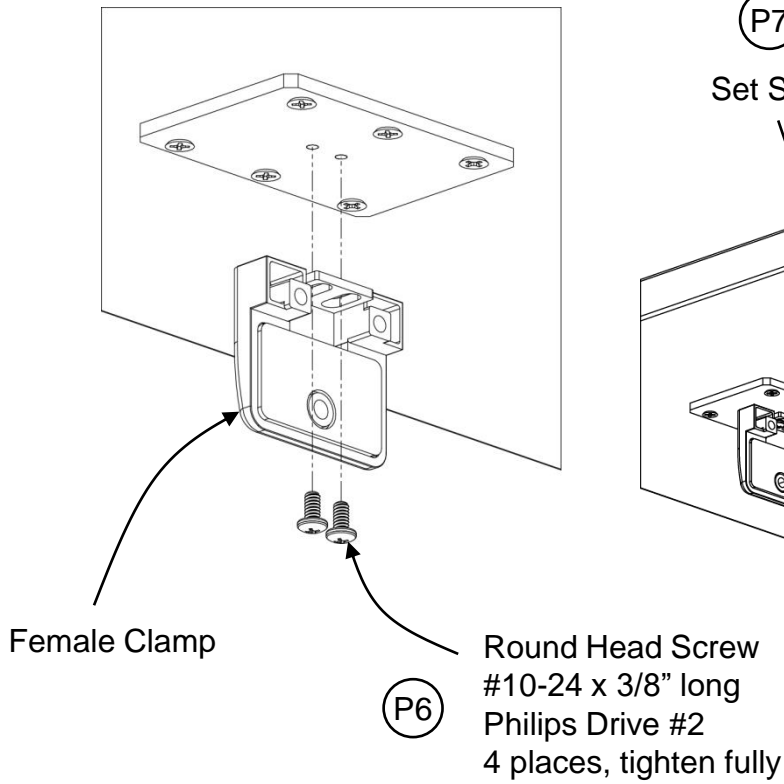
# Clip Screens

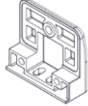




# Frameless Modesty

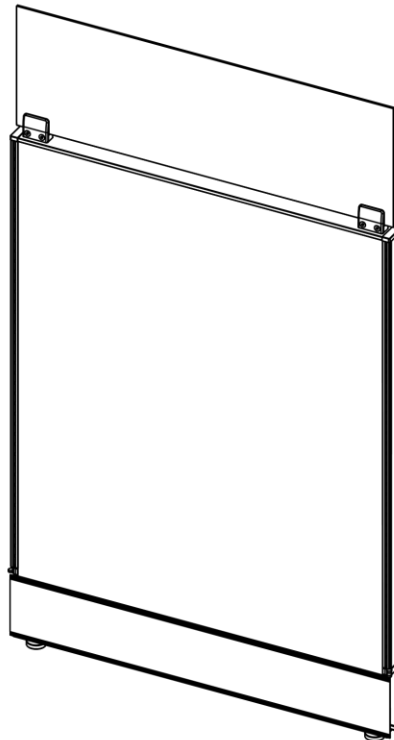


# Clip Screens

# Frameless Modesty



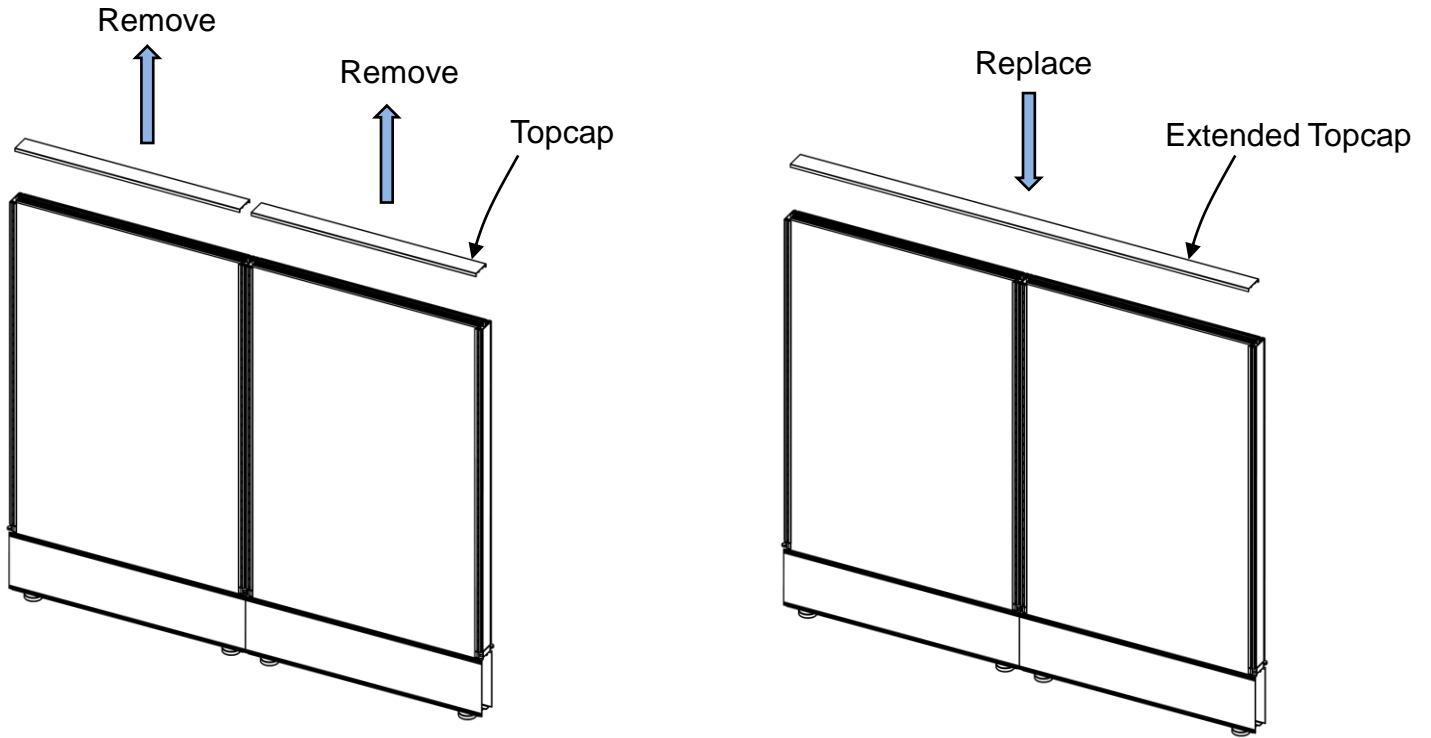
Item	Replacement Part number	Circle Sheet Part Number	Description	Image
P1	RP-CGF14 (for 1/4") RP-CGF38 (for 3/8") RP-CGF 58 (for 1/2")	RP-CGF14 (for 1/4") RP-CGF38 (for 3/8") RP-CGF 58 (for 1/2")	Female Clamp	
P2	RP-CGM-G	RP-CGM-G	Male Clamp	
P3	RP-UNFGCG	RP-UNFGCG	Gasket	
P4	RH-QS8221B	RH-QS8112B	Pan Head WoodScrew #8 x 1 1/2" Long	
P5	RH-MSSHf142858	RH-MSSHf142858	Flat Head Socket Screw 1/4-28 x 5/8" long	



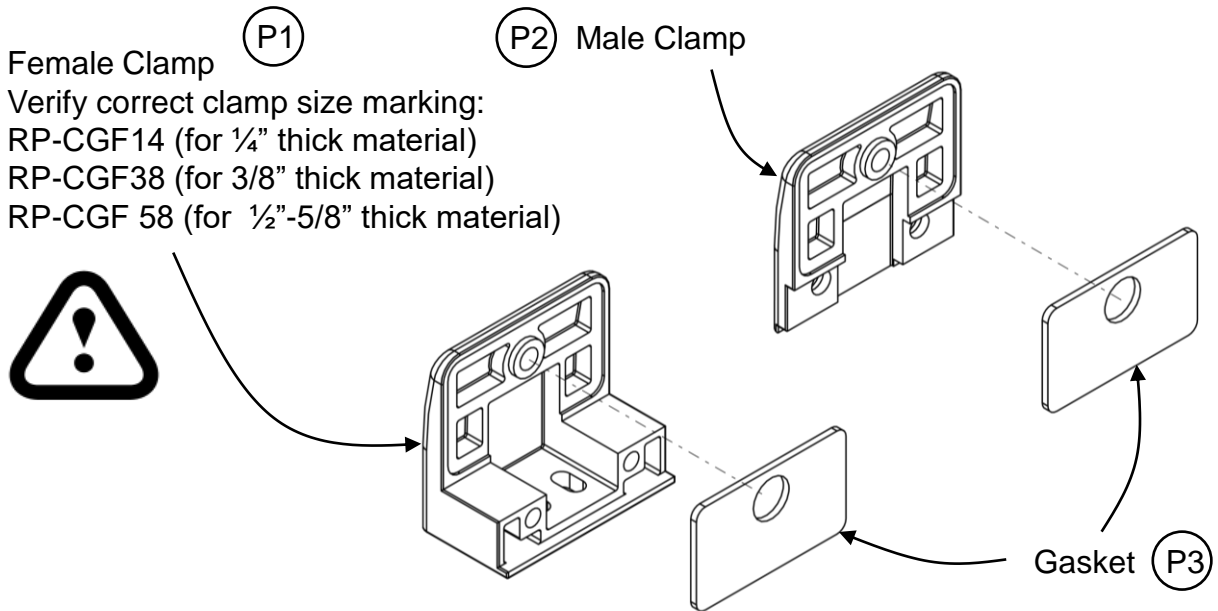
# Clip Screens

# Divi Panel Top Mount

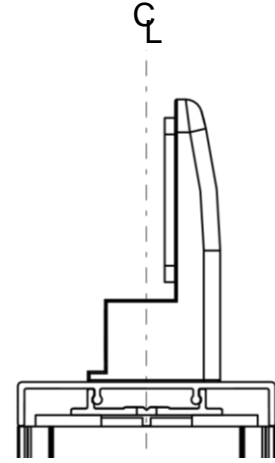
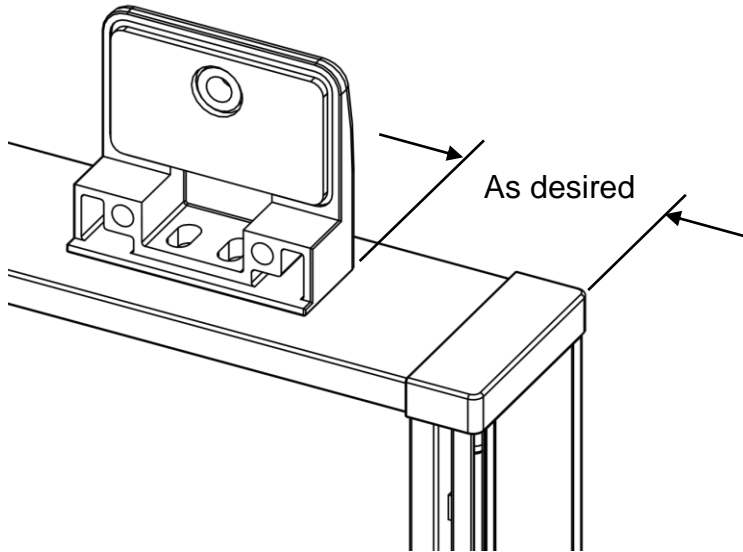
**Step 1 (optional):** If installing a screen across (2) Divi panels, remove topcaps and install extended topcaps.



**Step 2:** Apply the foam rubber stickers to male and female clamp parts.



**Step 3:** Position female clamps on topcaps, mark and pre-drill for #8 screw.

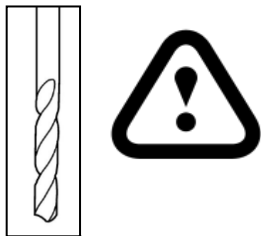
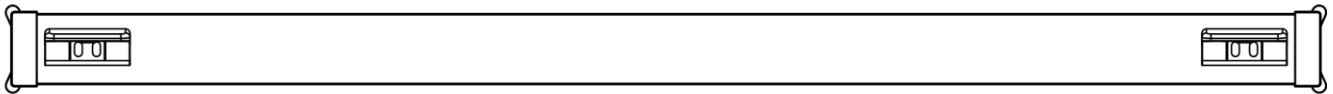


Using Female Clamps, mark (2) hole locations per clamp:

sizes 24-54 = 2 clamps

sizes 60-72 = 3 clamps

sizes 78-84 = 4 clamps

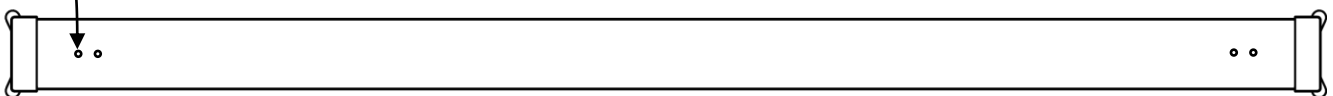


Remove Female Clamps and pre-drill Topcaps for #8 screw:

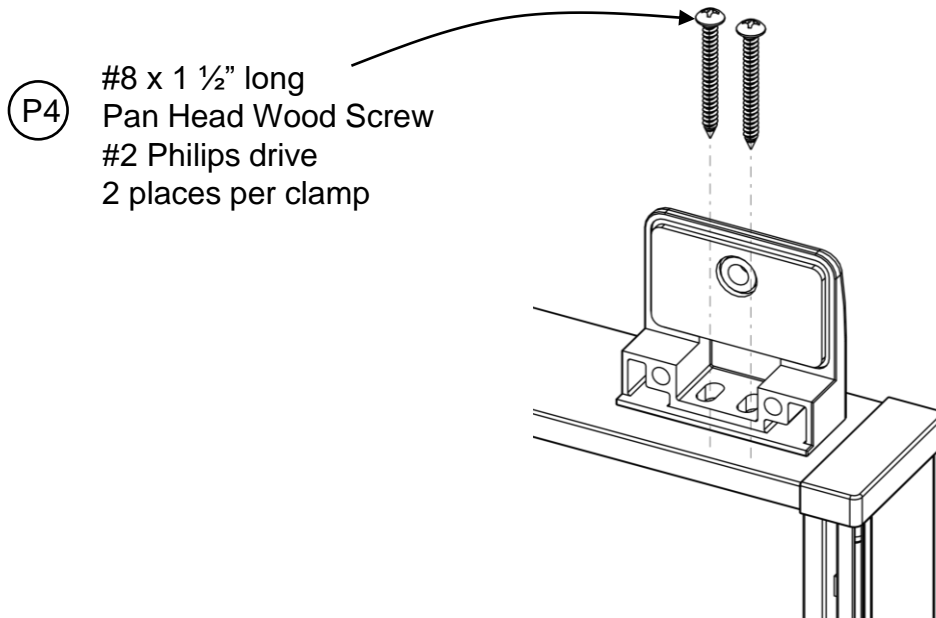
sizes 24-54 = 4 places

sizes 60-72 = 6 places

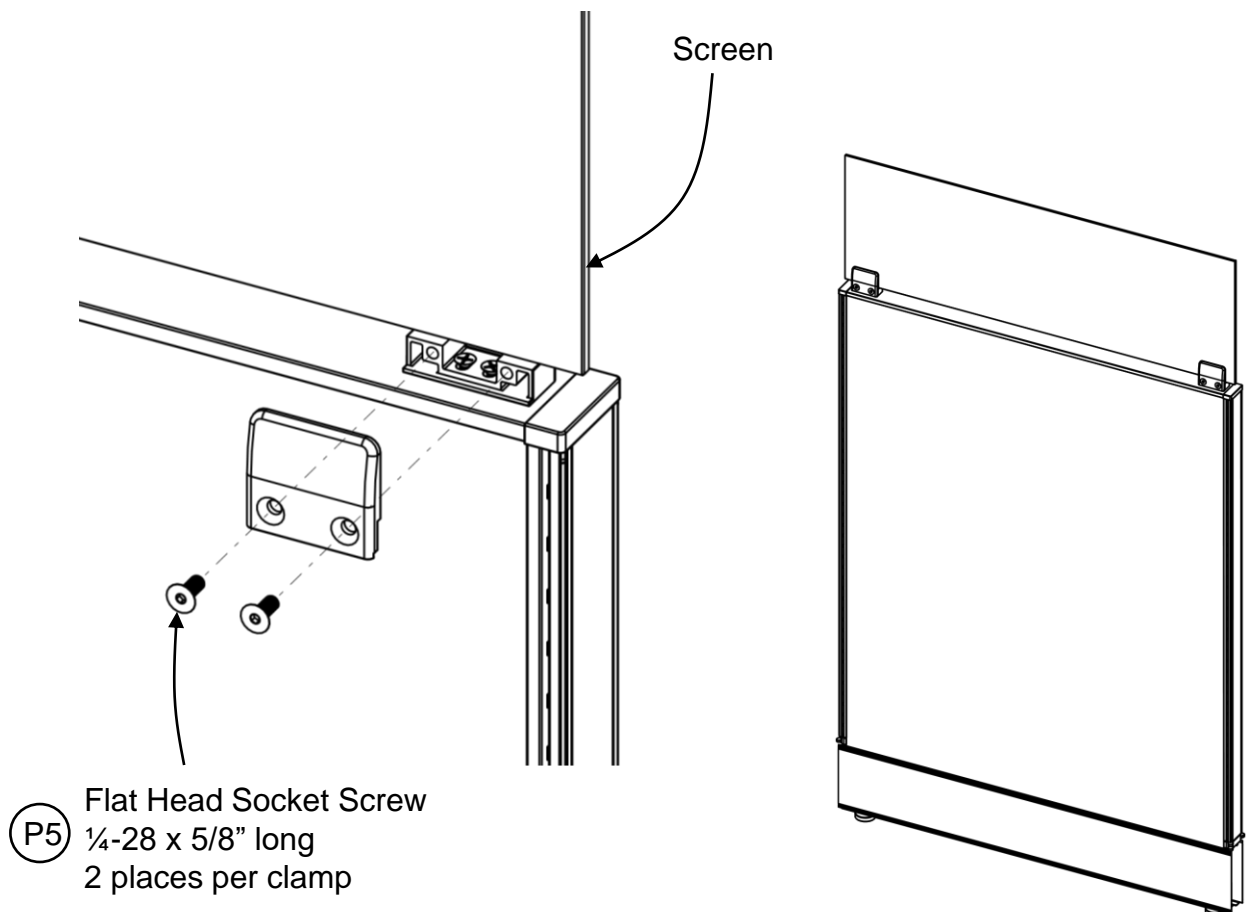
sizes 78-84 = 8 places



**Step 4:** Position female clamps and secure to Divi panel top .

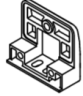


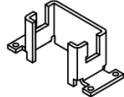
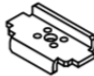





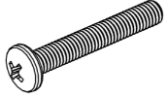



**Step 5:** Loosely connect male and female clamps using 1/4-28 screws.  
Position screen as desired and tighten screws to firmly secure in place.



# Clip Screens

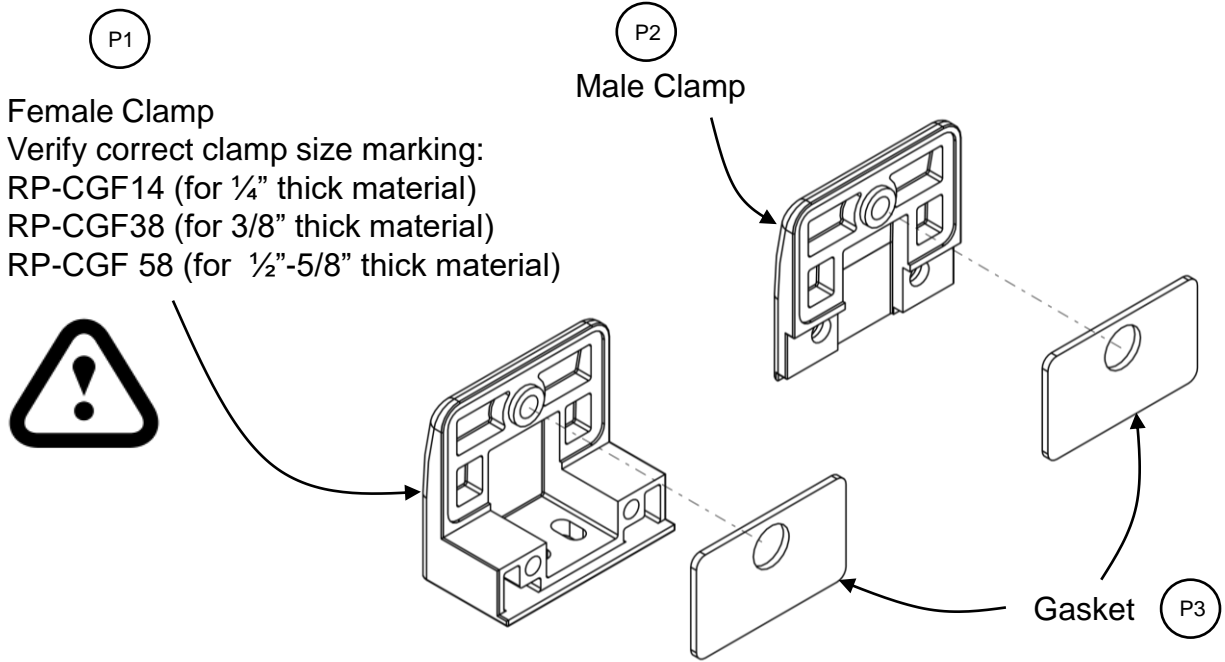
# Matrix Panel Top Mount

Item	Replacement Part number	Circle Sheet Part Number	Description	Image
P1	RP-CGF14 (for 1/4") RP-CGF38 (for 3/8") RP-CGF 58 (for 1/2")	RP-CGF14 (for 1/4") RP-CGF38 (for 3/8") RP-CGF 58 (for 1/2")	Female Clamp	
P2	RP-CGM-G	RP-CGM-G	Male Clamp	
P3	RP-UNFGCG	RP-UNFGCG	Gasket	
P4	RP-M3FGB	RP-M3FGB	Glass Clamp Brace	
P5	RP-M3FGBTP	RP-M3FGBTP	Glass Clamp Brace Top	
P6	RH-SHBF51624234	RH-SHBF51624234	Flat Head Socket Screw 5/16-24 x 2 3/4"	
P7	RP-MXCONBOLT	MXCONBOLT	#10-32 x 3/8" Hex Head Screw	
P8	P-MLFTTRxx xx = width	RP-M3OMRTxx xx = width	Top Tile Retainers	
P9	RP-MXHS83214A-I	RP-MXHS83214	#8-32 X 5/16" Pan Head Thread Rolling Screw	
P10	P-M3FGTCFxxP xx = width	RP-M3FGTCFxx xx = width	Top Cap (with holes)	
P11	RH-MSZPP1032114	RH-MSZPP1032114	#10-32 X 1 1/4" Pan Head Screw	
P12	RH-MSSHf142858	RH-MSSHf142858	Flat Head Socket Screw 1/4-28 x 5/8" long	

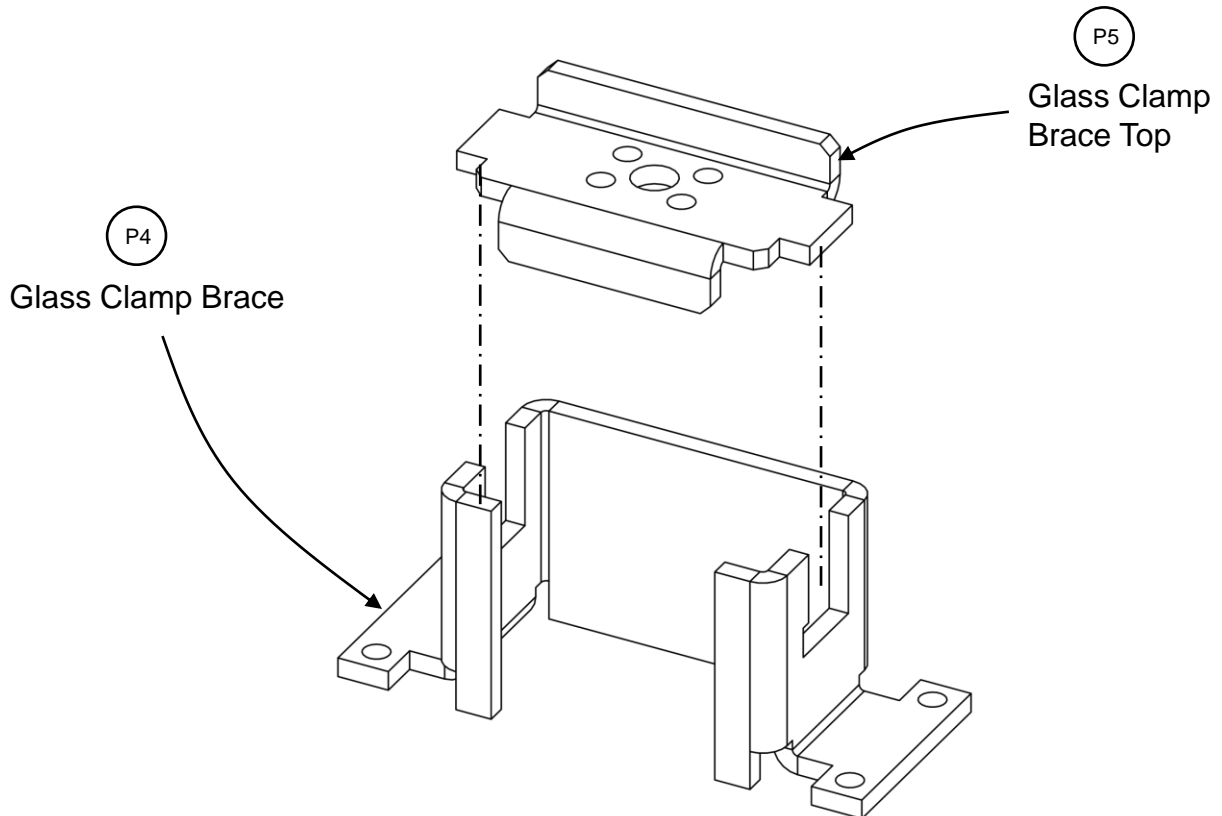
# Clip Screens

# Matrix Panel Top Mount

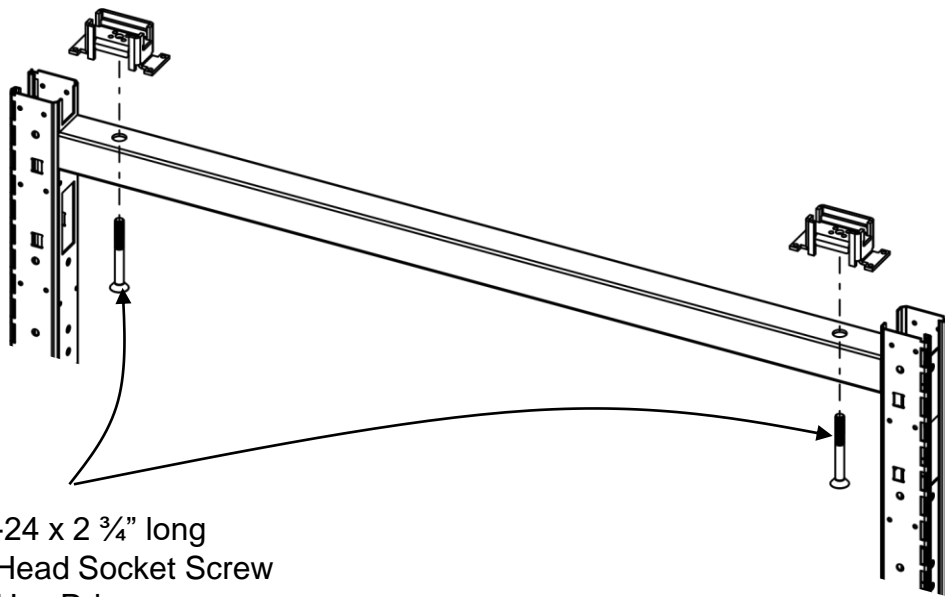
**Step 1:** Apply the foam rubber stickers to male and female clamp parts.



**Step 2:** Combine the glass clamp brace and the glass clamp brace top into one piece



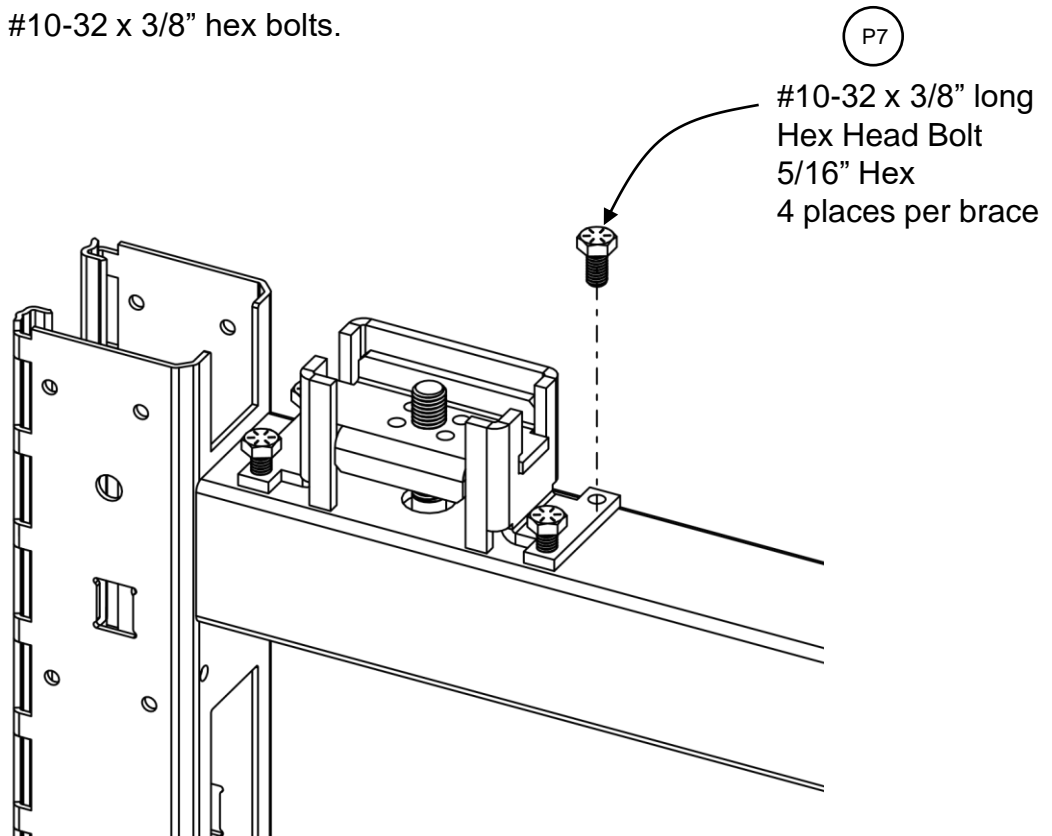
**Step 3:** Bolt the glass clamp brace assembly to the matrix frame using the #5/16-24 x 2 3/4" screws.



P6

5/16-24 x 2 3/4" long  
Flat Head Socket Screw  
1/8" Hex Drive

**Step 4:** Loosely install #10-32 x 3/8" hex bolts.



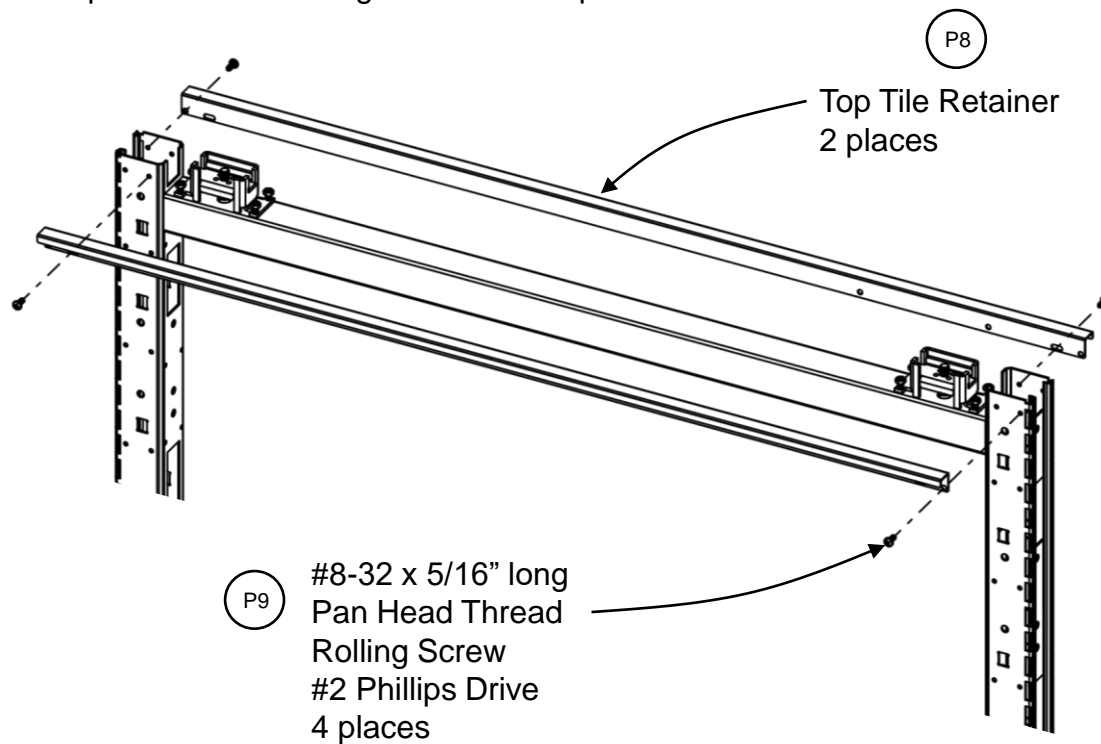
P7

#10-32 x 3/8" long  
Hex Head Bolt  
5/16" Hex  
4 places per brace

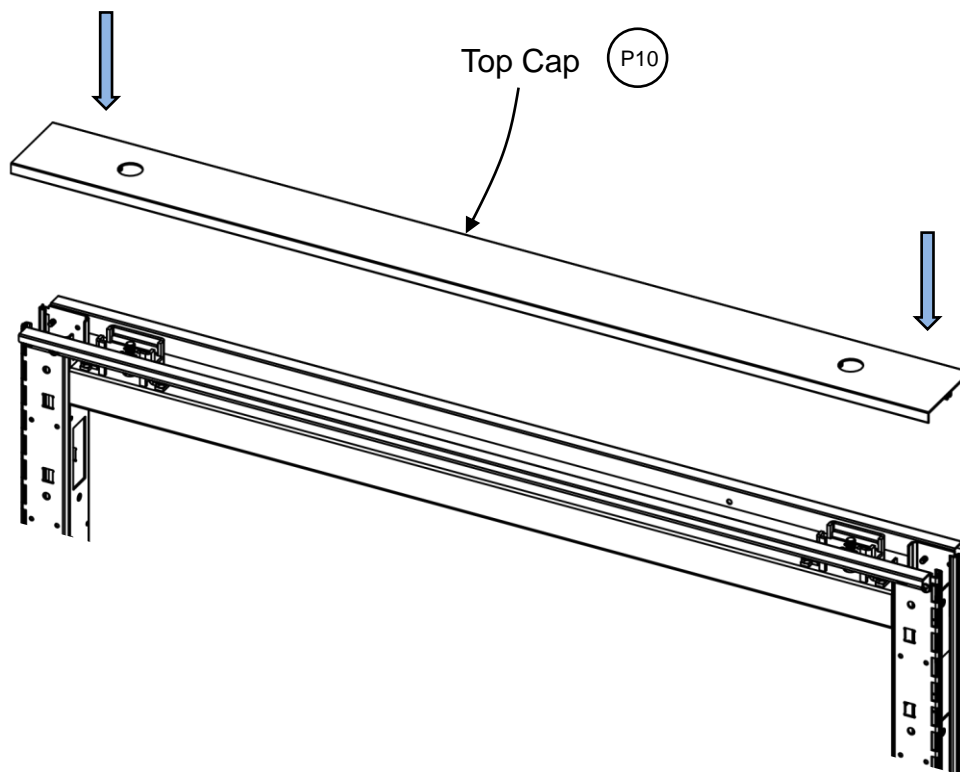
# Clip Screens

# Matrix Panel Top Mount

**Step 5:** Install top tile retainers using #8-32 x 5/16" pan head screw



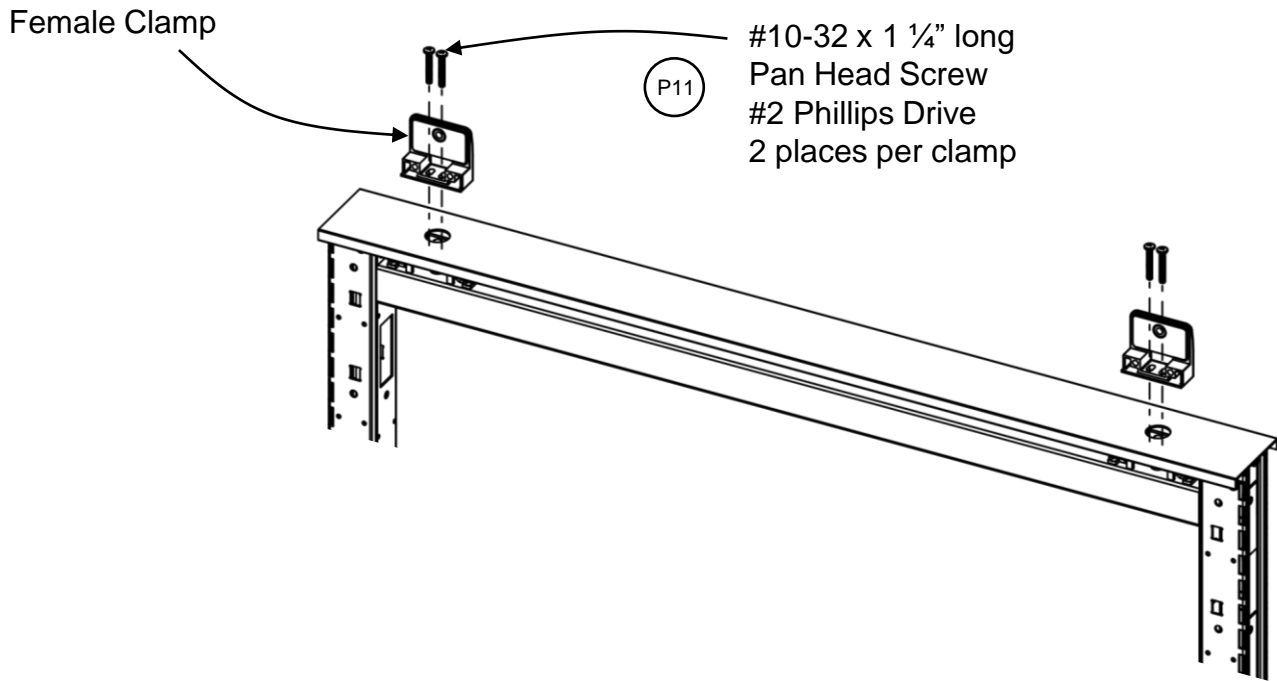
**Step 6:** Install top cap onto tile retainers.



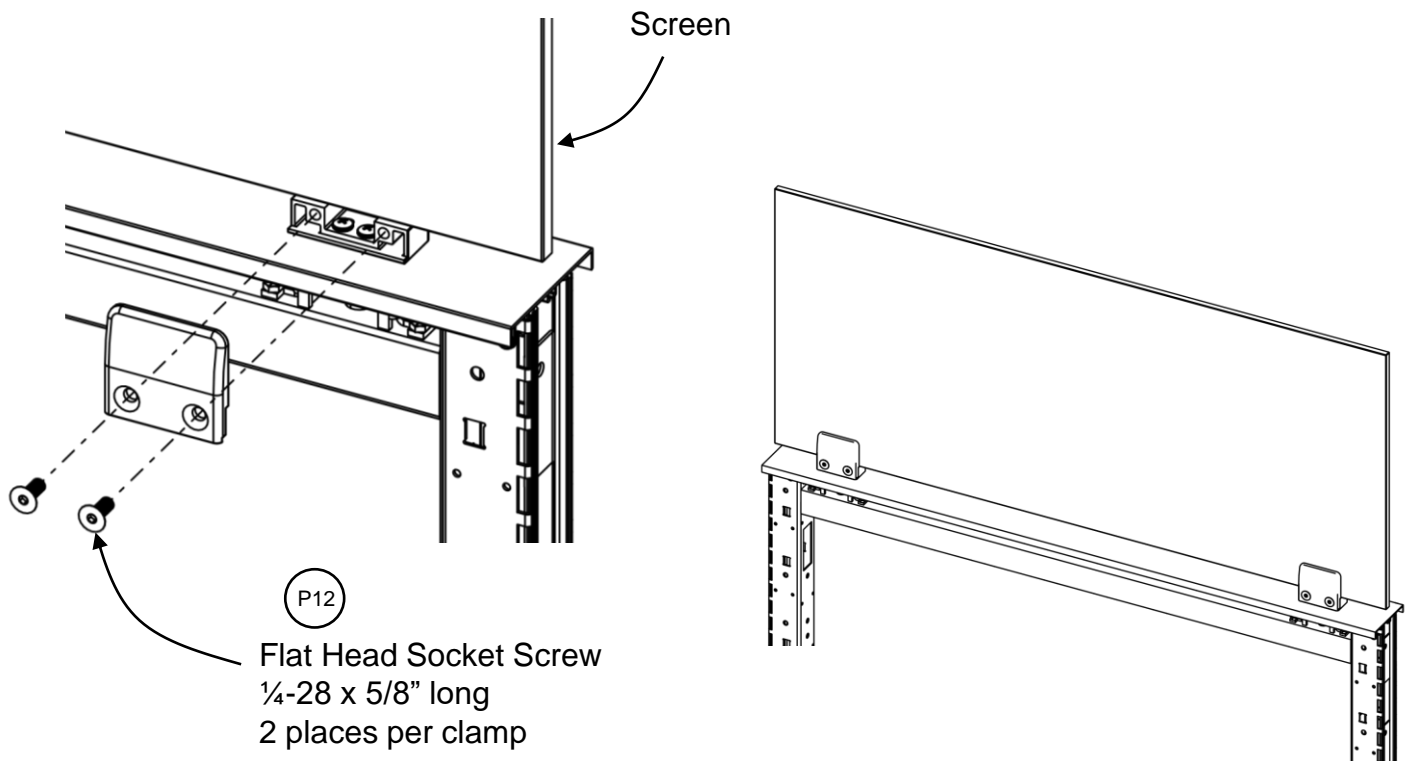
# Clip Screens

# Matrix Panel Top Mount

**Step 7:** Secure the female clamps to the top cap by installing screws down into the clamp brace



**Step 8:** Loosely connect male and female clamps using 1/4-28 screws.  
Position screen as desired and tighten screws to firmly secure in place.



# Clip Screens

# Matrix Panel Top Mount

**Step 9 (optional):** If additional alignment is needed, loosen the socket head screw, adjust the 4 hex head bolts as necessary to achieve proper alignment. Then, re-tighten the socket head screw.

