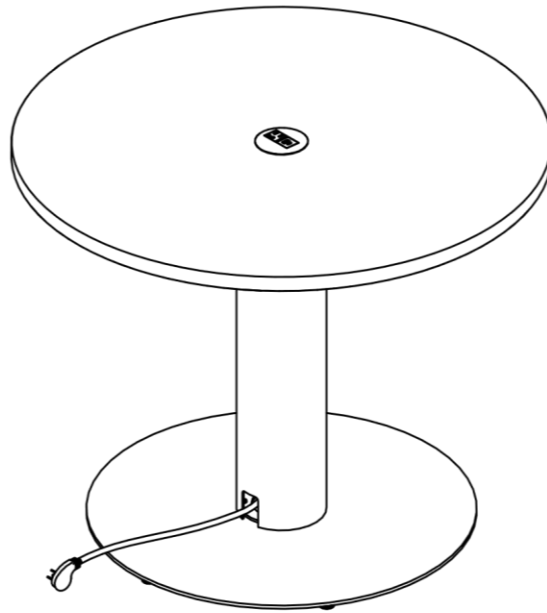
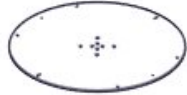



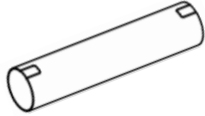
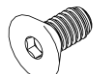
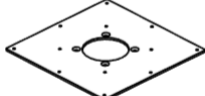
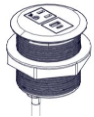



Large Disc Base Installation Instructions

Date	Page No.	Description of change	Name
06-03-2024	1-8	Released	S. Powers
03-02-2026	2	Fixed items P1 & P2	P. Day



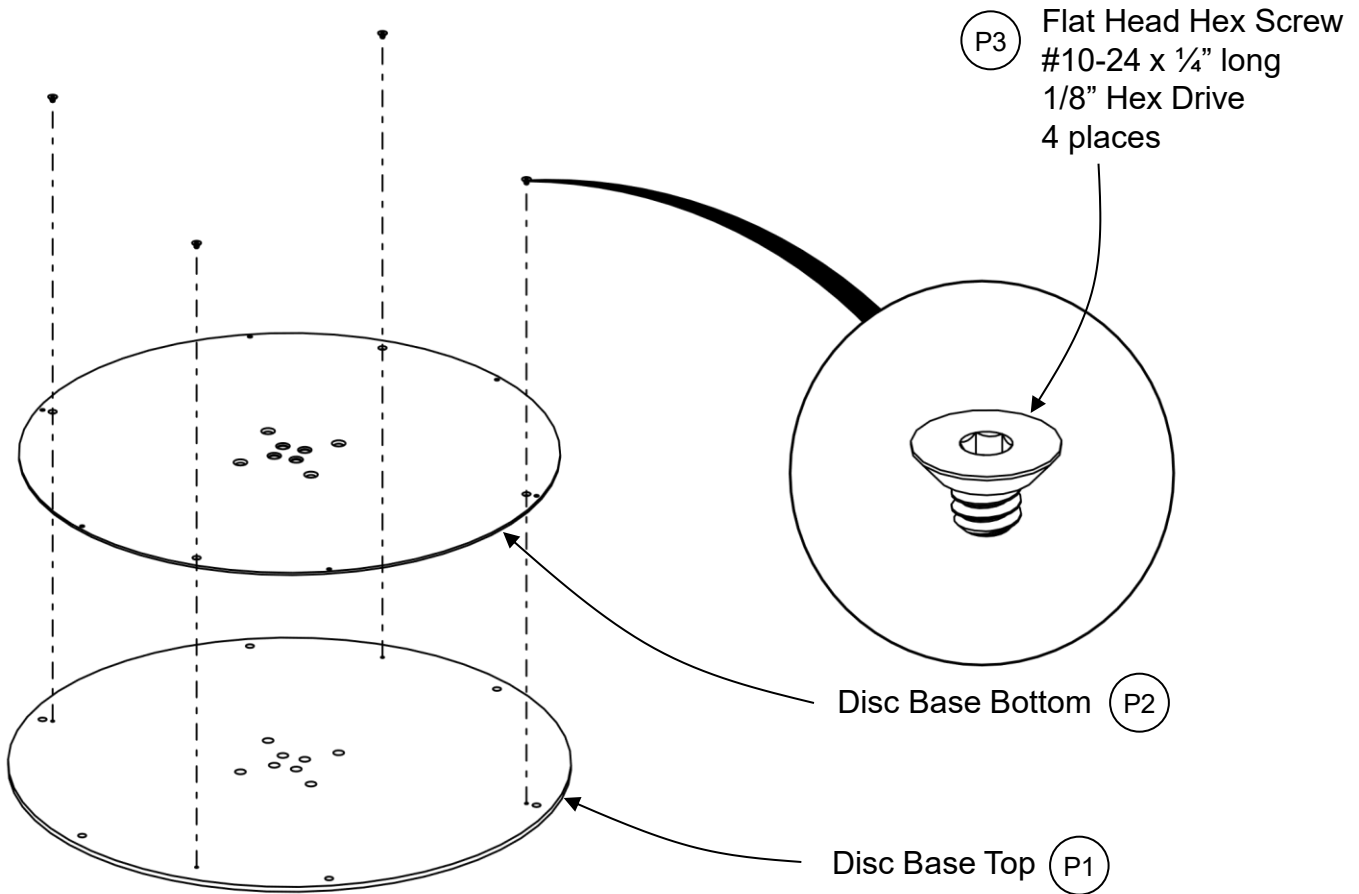
Large Disc Base Installation Instructions Parts List

Item	Replacement Part number	Circle Sheet Number	Description	Image
P1	WFS-DB26	RWFS-DBT26-P	Disc Base Top	
P2	WFS-DBB26	RWFS-DBB26	Disc Base Bottom	
P3	RH-SHSFU102414B	RH-SHSFU102414B	Flat Head Hex Screw #10-24 x 1/4"	
P4	RH-DISCGLIDE	RH-DISCGLIDE	#8-32 Glide	
P5	T-LDBSTxx xx = 16, 29 or 42	RT-LDBSTxx-P xx = 16, 29 or 42	Post Leg 16H, 29H or 42H x 60mm Dia	
P6	RH-SHF51618-1	RH-SHF51618-1	Flat Head Hex Screw 5/16-18 X 1" long	
P7	T-LDBTP	RT-LDBTP	Top Plate 8"x8"	
P8	E-DOCK281-xx BK (black) MS (metallic silver) WH (white)	RE-DOCK281-xx BK (black) MS (metallic silver) WH (white)	Charger Dock 281	
P9	RH-QS0978	RH-QS0978	Flat Head Wood Screw #9 X 7/8" long	

Large Disc Base Installation Instructions

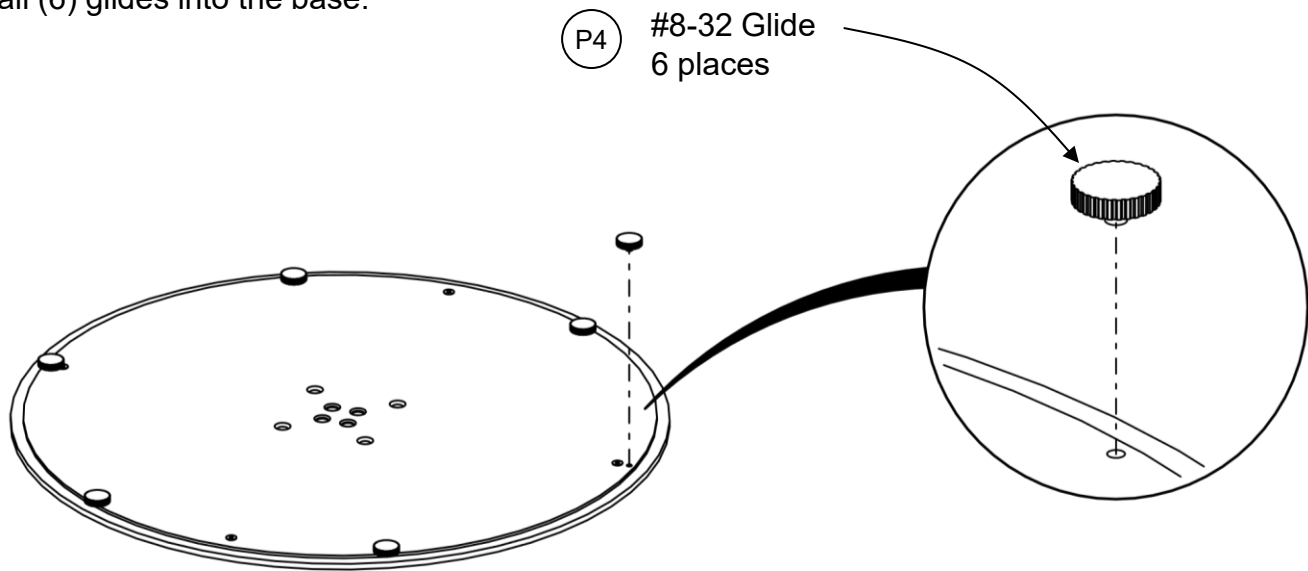
Step 1:

Assemble the two-piece disc base using (4) #10-24 x 1/4" screws.



Step 2:

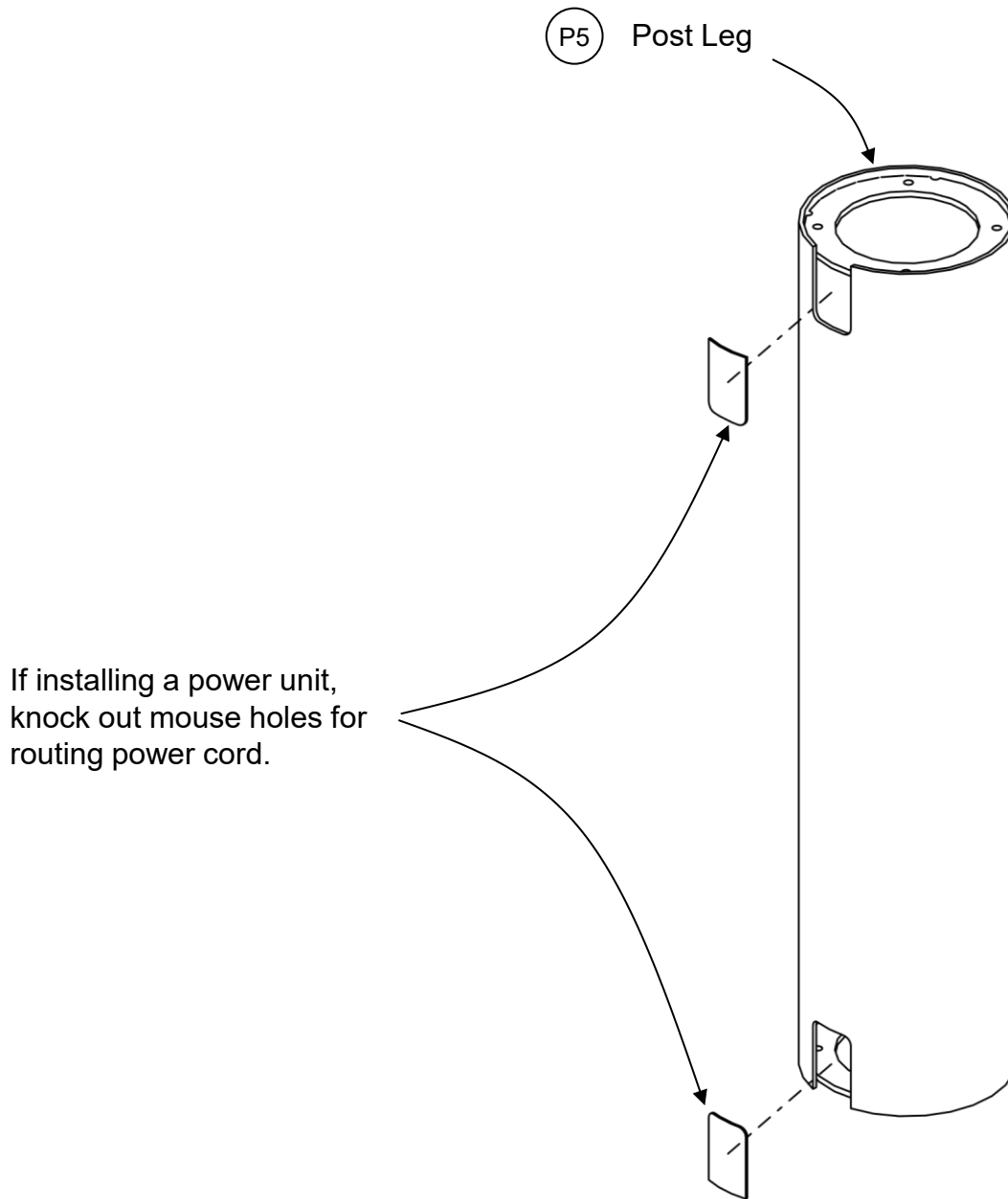
Install (6) glides into the base.



Large Disc Base Installation Instructions

Step 3 (optional – for installing power only):

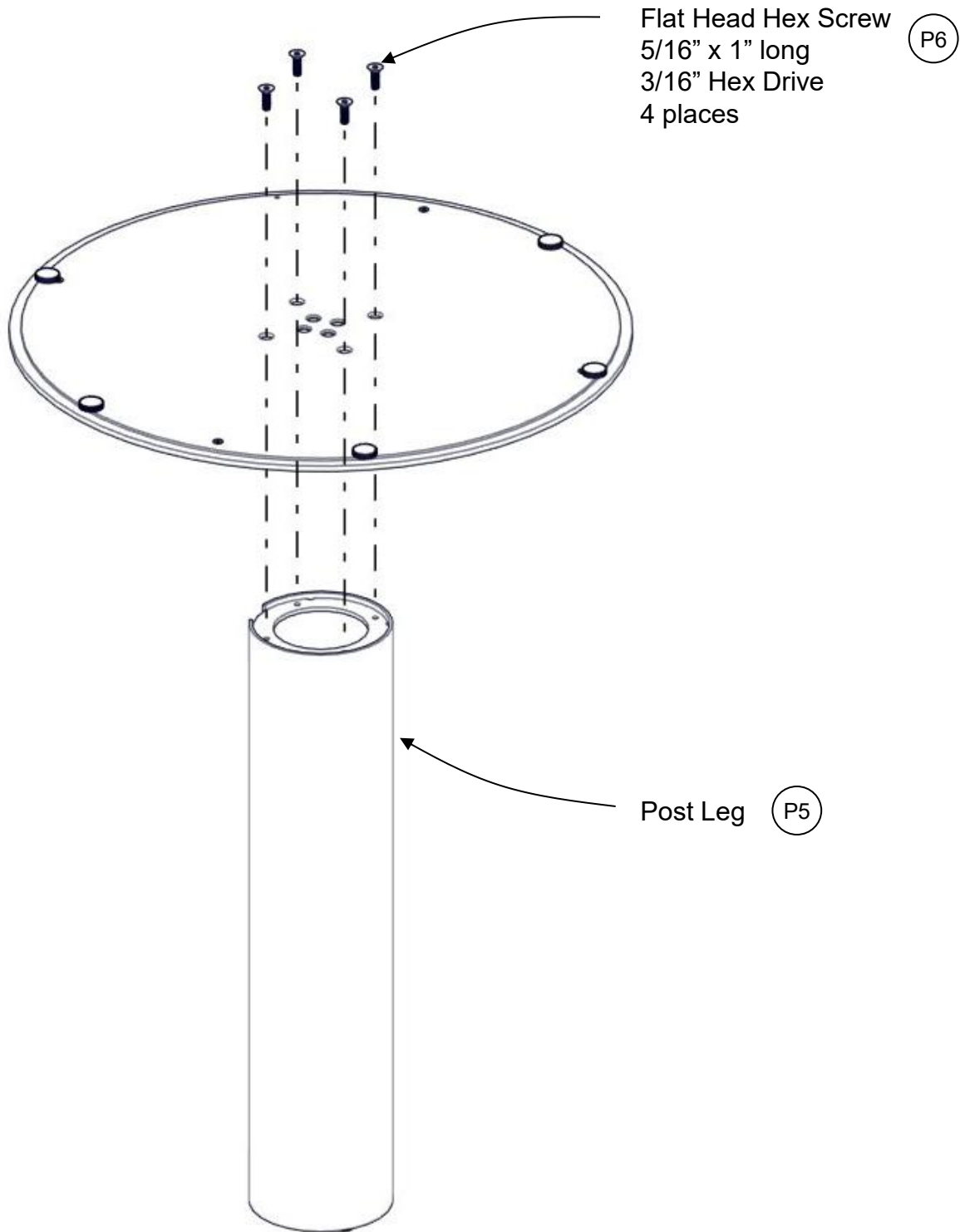
Knock out mouse holes for routing power cord.



Large Disc Base Installation Instructions

Step 4:

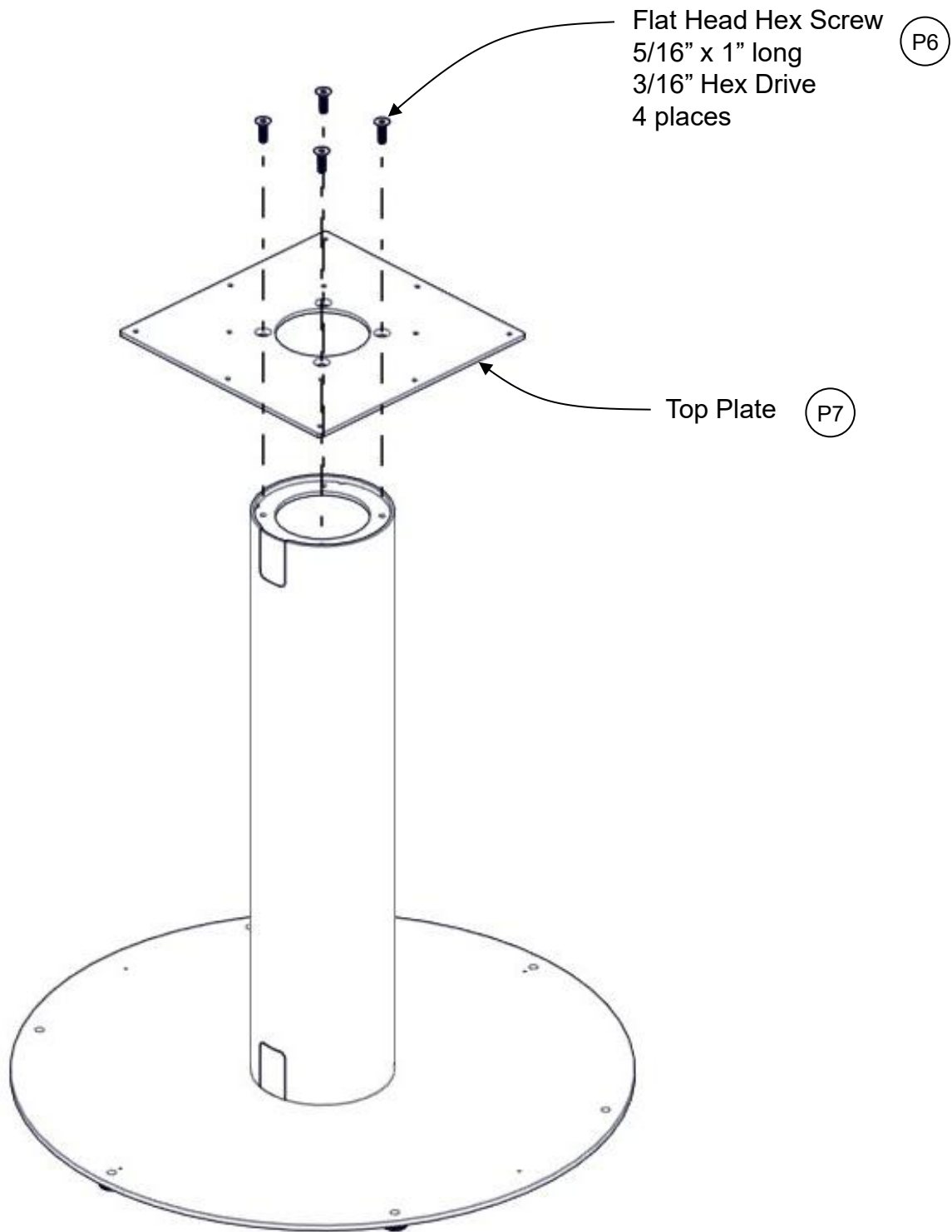
Connect the disc base to the post leg using (4) #5/16-18 x 1" long flat head screws.



Large Disc Base Installation Instructions

Step 5:

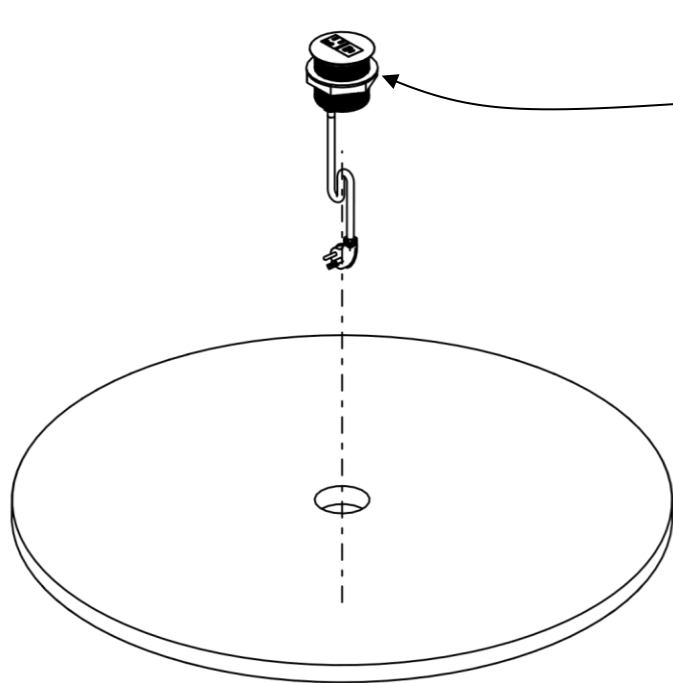
Connect the top plate to the post leg using (4) #5/16-18 x 1" long flat head screws.



Large Disc Base Installation Instructions

Step 6 (optional – for installing power only):

Install power per instructions E-D200INSTR

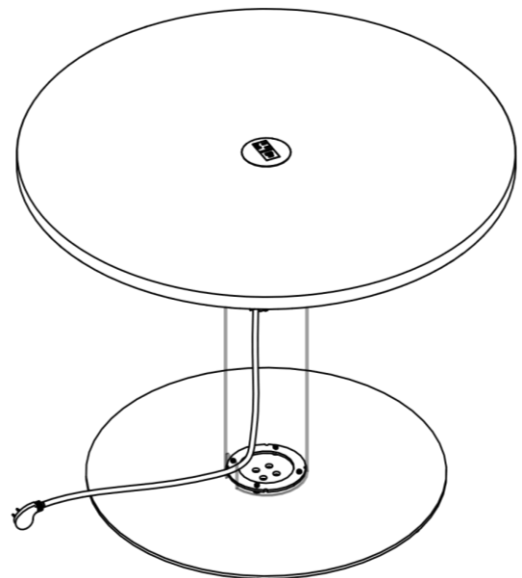
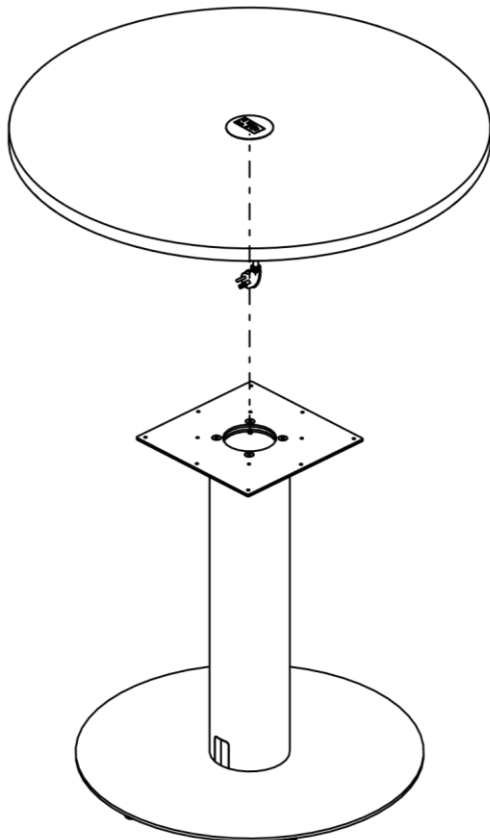


P8

Charger Dock 281
Install power into the worksurface per
installation instruction sheet E-D200INSTR

Step 7:

Position worksurface onto the top plate and run power cord down into the post and out through one of the mouse holes.



Large Disc Base Installation Instructions

Step 8:

Attach the worksurface to the top plate using #9 x 7/8" wood screws.

