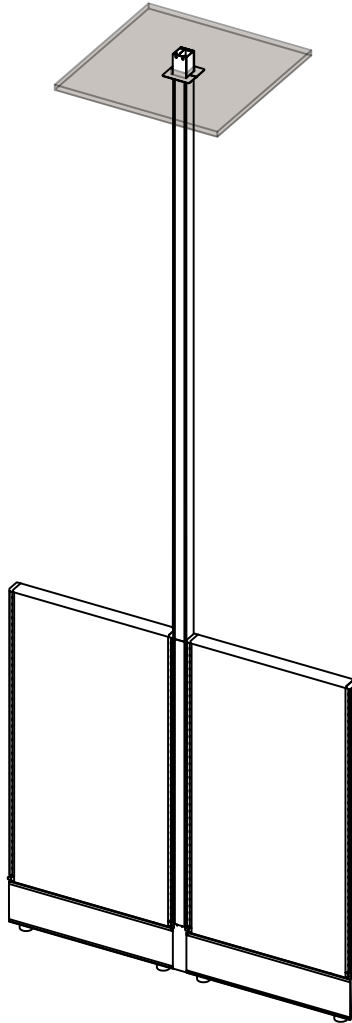








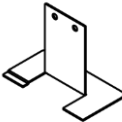

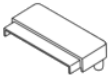


Divi 180° Spacer With Power Pole Installation Instructions

Date	Page No.	Description of change	Name
01/28/2026	1-8	Released	S. Powers

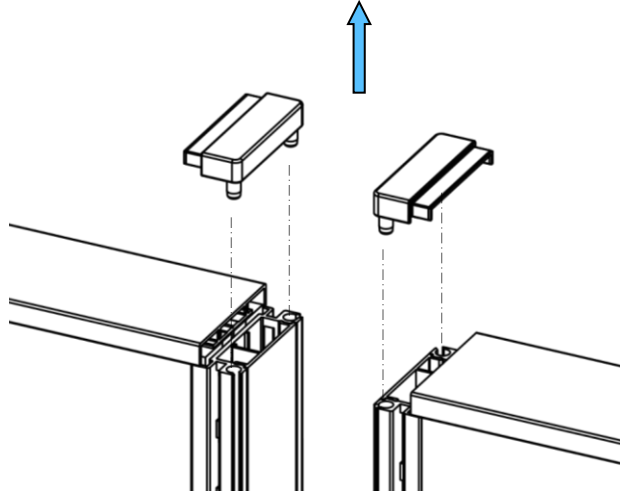


Divi 180° Spacer With Power Pole Installation Instructions

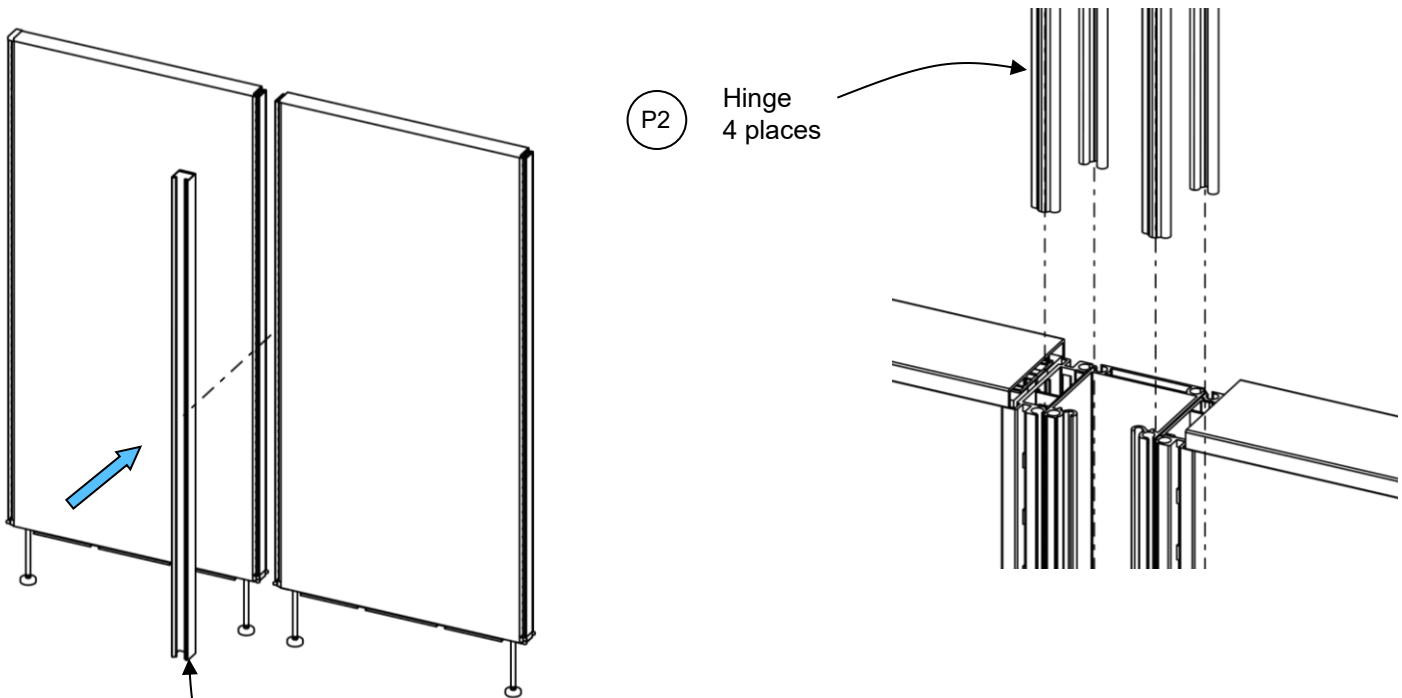
Item	Replacement Part number	Circle Sheet Part Number	Description	Image
P1	P-VSPPI _{xx} (xx = nominal in.)	RP-VSPPI _{xx} (xx = nominal in.)	Power Pole Shell	
P2	RP-VSH _{xx} (xx = nominal in.)	RP-VSH _{xx} (xx = nominal in.)	Hinge	
P3	A-VSPPCP	RA-VSPPCP	In Line Power Pole Coupler	
P4	RP-MXHS83214A-I	RP-MXHS83214A	#8-32 x 5/16" Pan Head Screw	
P5	A-VSPPD _{xx} (xx = nominal in.)	RA-VSPPD _{xx} (xx = nominal in.)	In Line Power Pole Divider	
P6	TSP838-A	TSP838-A	#8 x 3/8" Pan Head Drilling Screw	
P7	P-VS180SM	RP-VS180S	3-Way Shroud	
P8	P-VSPPI _{Cxx} (xx = nominal in.)	RP-VSPPI _{Cxx} (xx = nominal in.)	Power Pole Cover	
P9	P-VSPPCS	RA-VSPPCS	In Line Power Pole Ceiling Shroud	
P10	A-PPGAS	RA-PPGAS	Plastic Retainer	
P11	P-VLECA3	RP-VLECA3	End Cap	

Divi 180° Spacer With Power Pole Installation Instructions

Step 1: Remove top caps.



Step 2: Install the power pole shell to the hanger frames using hinges as specified below.



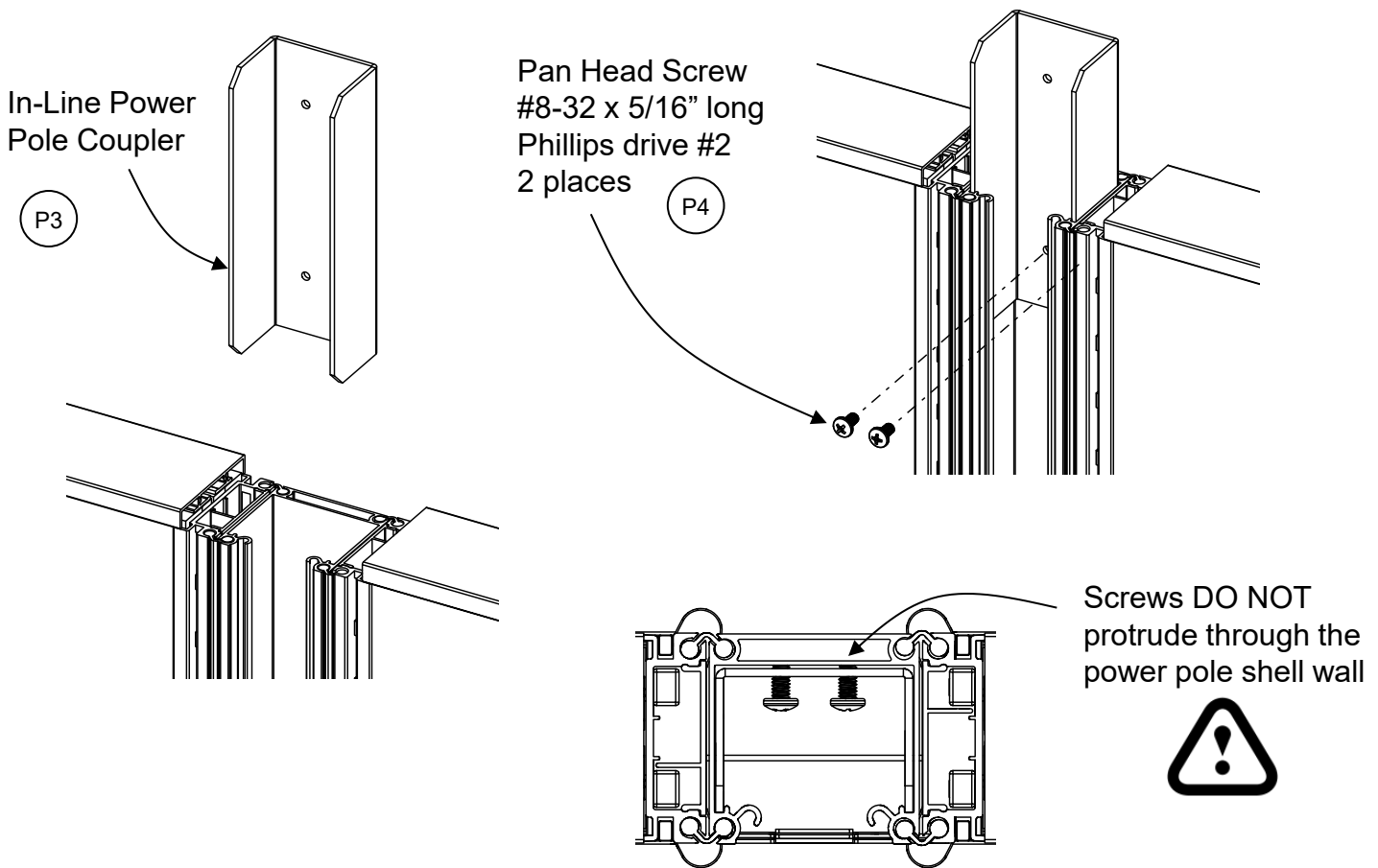
P1 Bottom Power Pole Shell

P2 Hinge
4 places

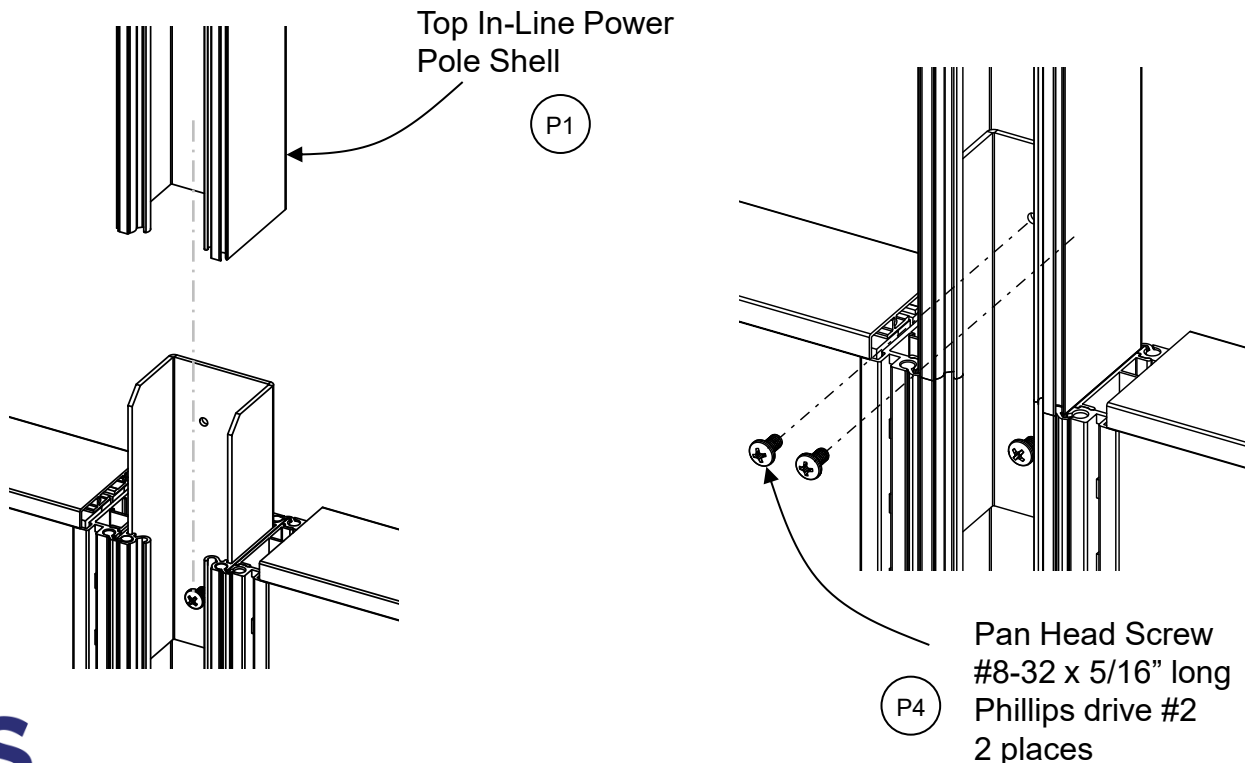
HINGE LENGTH AND NUMBER OF HINGE SEGMENTS REQUIRED PER PANEL HEIGHT (NOTE: QUANTITIES FOR EACH SIDE OF PANEL)					
PANEL HEIGHT	12 3/4"	20 3/4"	28 3/4"	36 3/4"	52 3/4"
42"	1	1			
50"		2			
58"		1	1		
66"		1		1	
82"		1			1

Divi 180° Spacer With Power Pole Installation Instructions

Step 3: Slide the coupler into the power pole shell as shown and secure using (2) #8-32 x 5/16" screws.



Step 4: Slide the top power pole shell over the coupler and secure using (2) #8-32 x 5/16" screws.

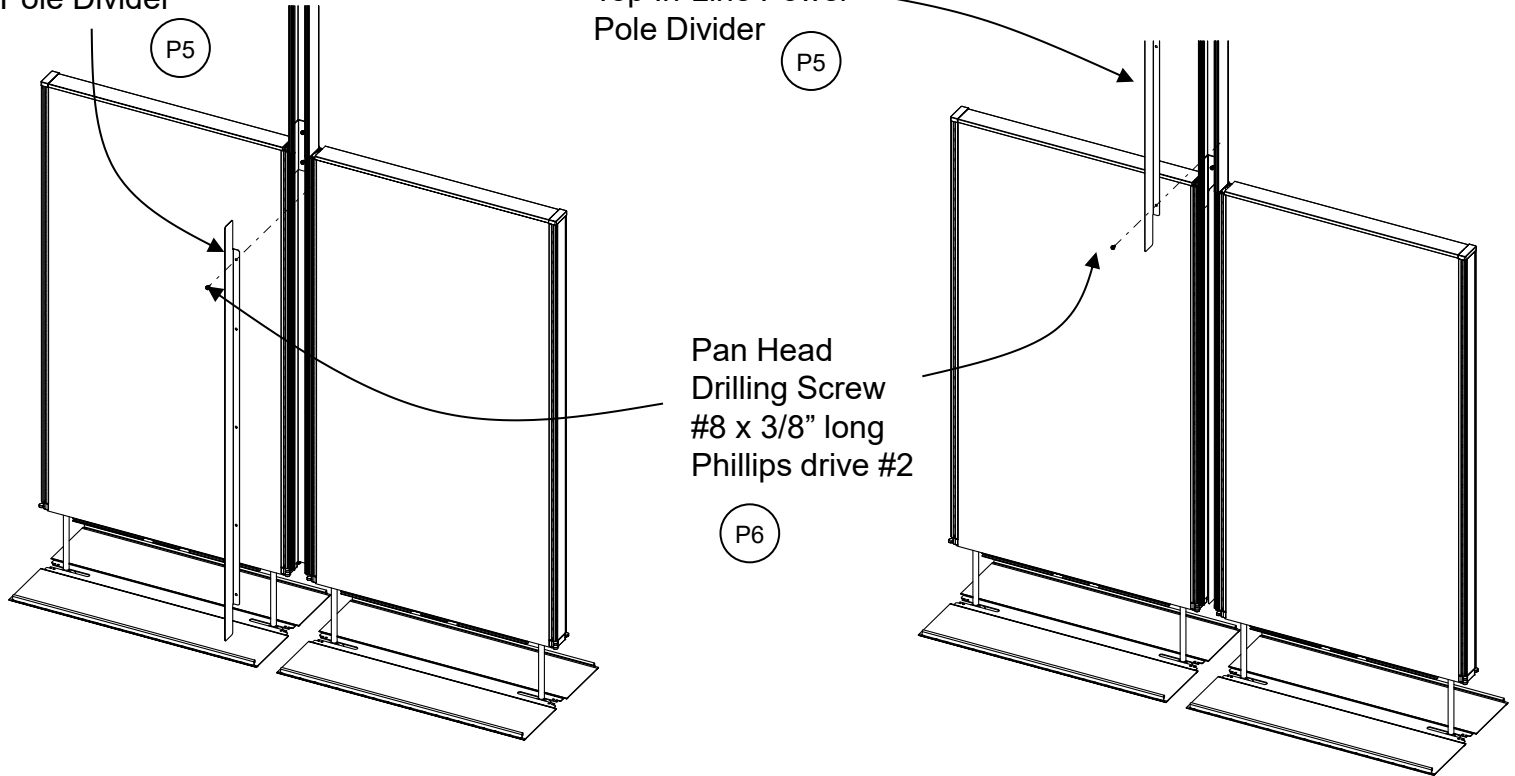


Divi 180° Spacer With Power Pole Installation Instructions

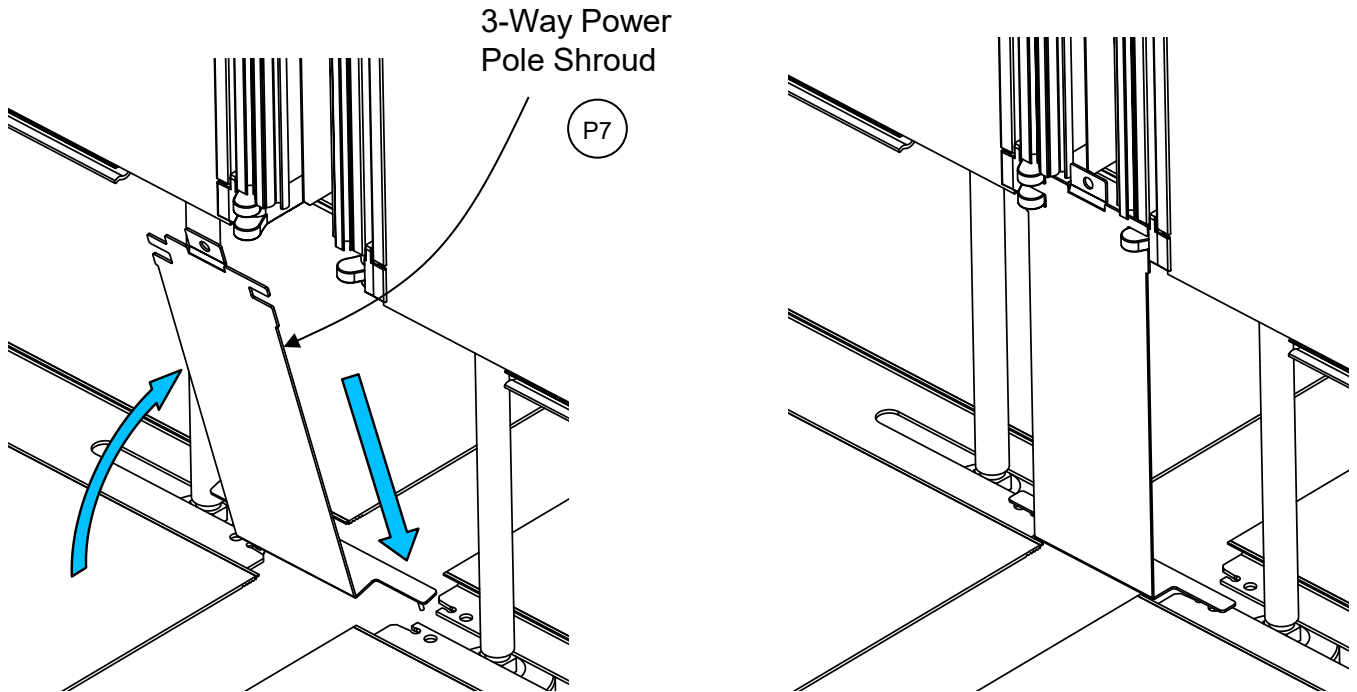
Step 5: Install power pole dividers inside the power pole body using #8 x 3/8" pan head drilling screws.

Bottom In-Line Power Pole Divider

Top In-Line Power Pole Divider



Step 6: Install the 3-way power pole shroud.

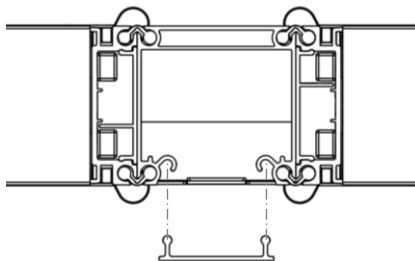


Divi 180° Spacer With Power Pole Installation Instructions

Step 7: Snap power pole covers onto the power pole, making sure they are flush with no gaps.

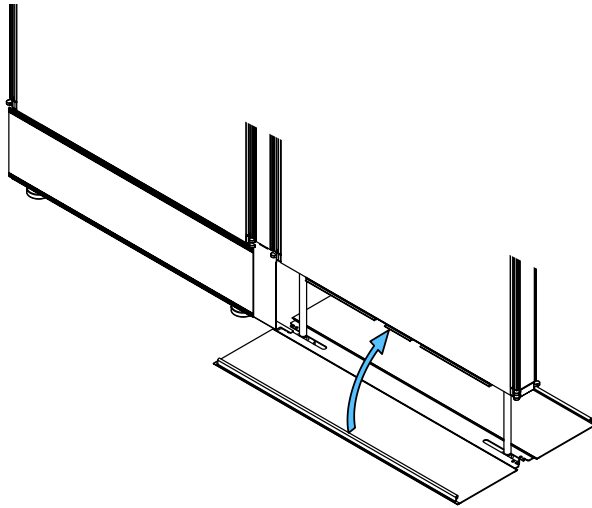


Top View

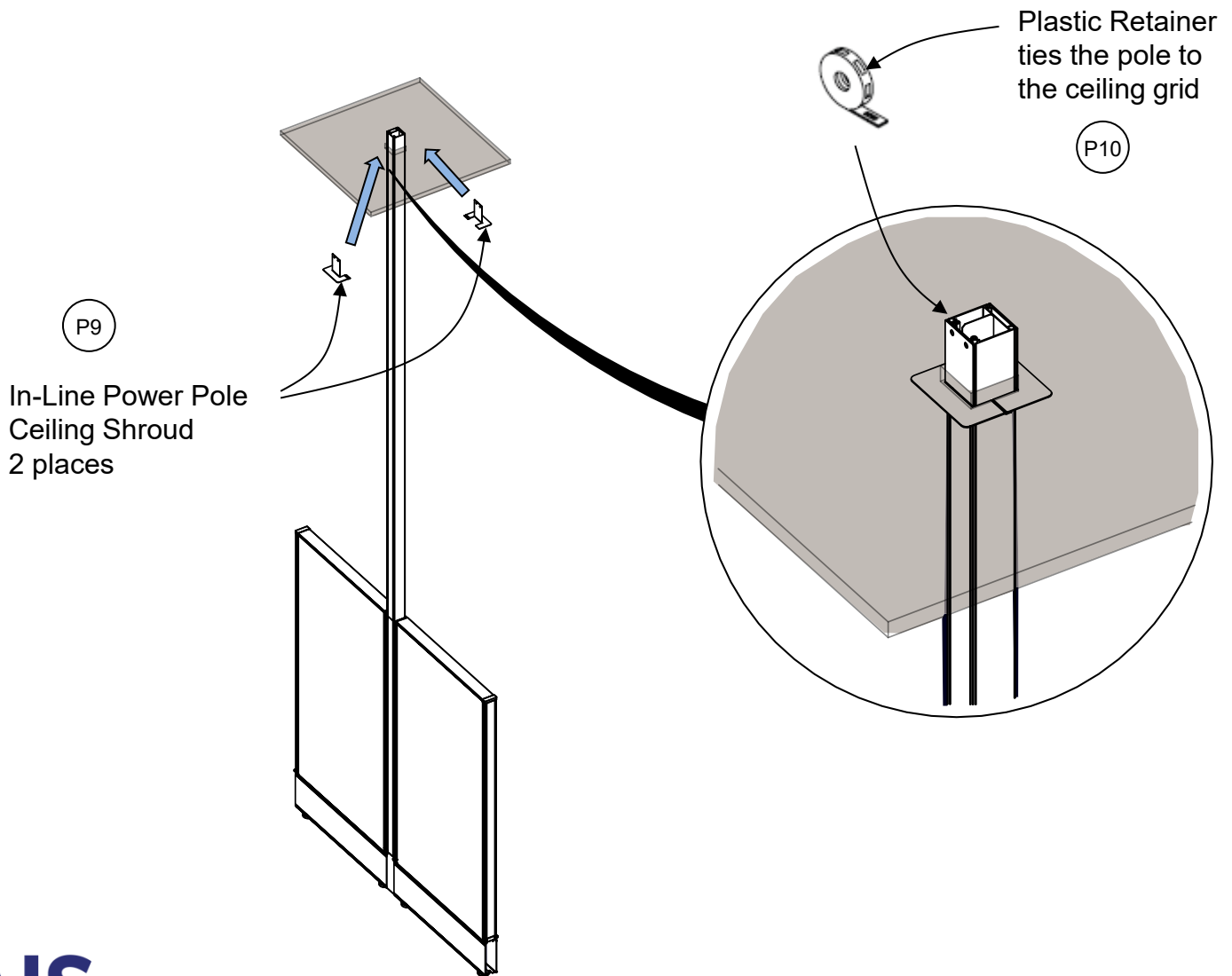


Divi 180° Spacer With Power Pole Installation Instructions

Step 8: Close raceway covers.

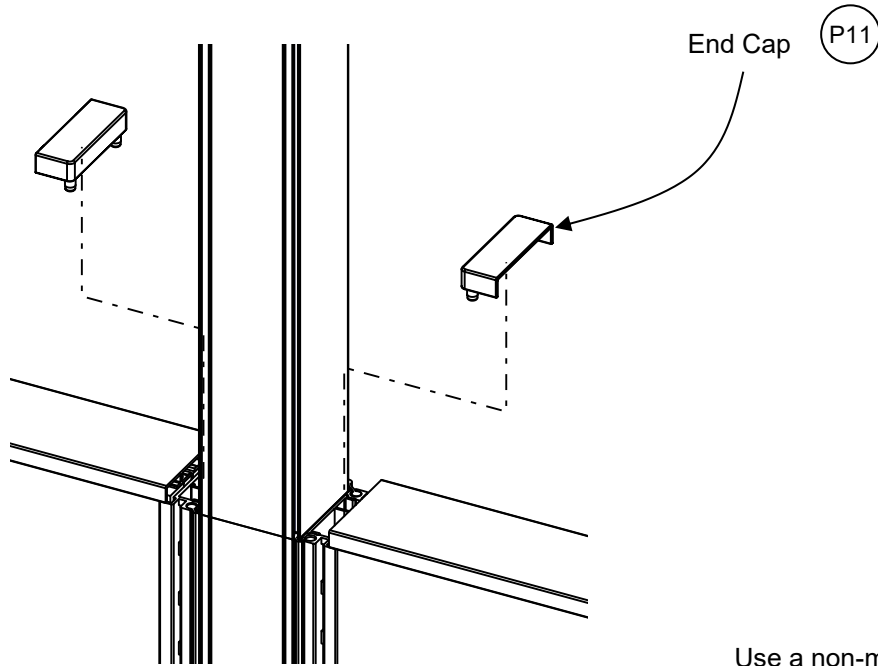


Step 9: Install ceiling shrouds.

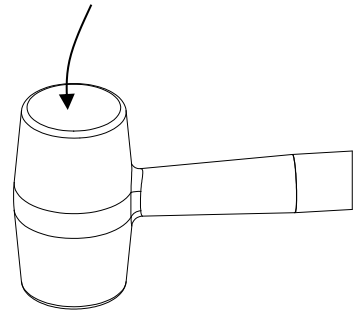


Divi 180° Spacer With Power Pole Installation Instructions

Step 10: Re-install end caps.



Use a non-marring mallet to GENTLY tap into place



Lift end of top cap up 1/2" max.
Do not bend or crease top cap.
Install the end cap under the top cap.

