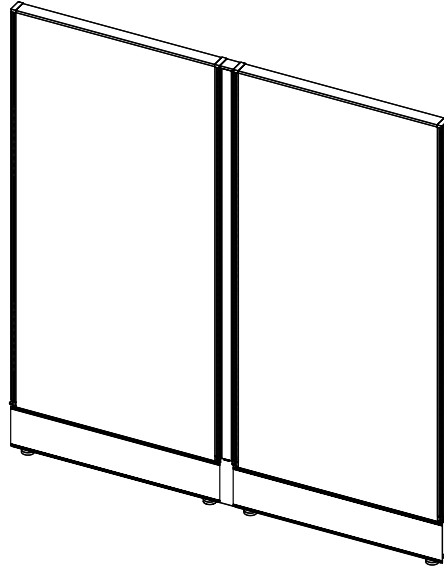


# Divi 180° Spacer Installation Instructions

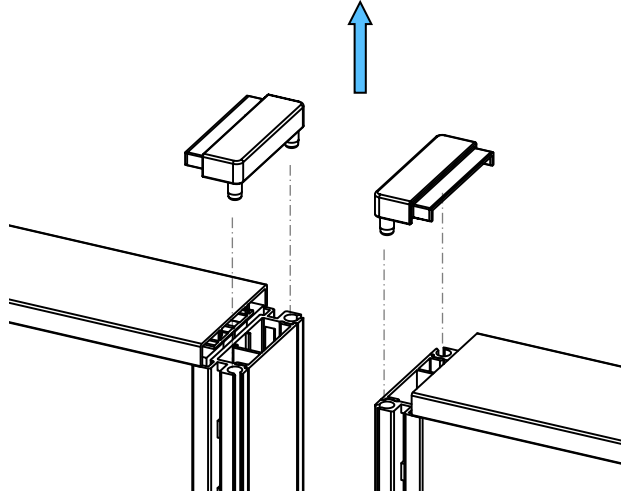
Date	Page No.	Description of change	Name
03/27/2025	1-4	Released	S. Powers



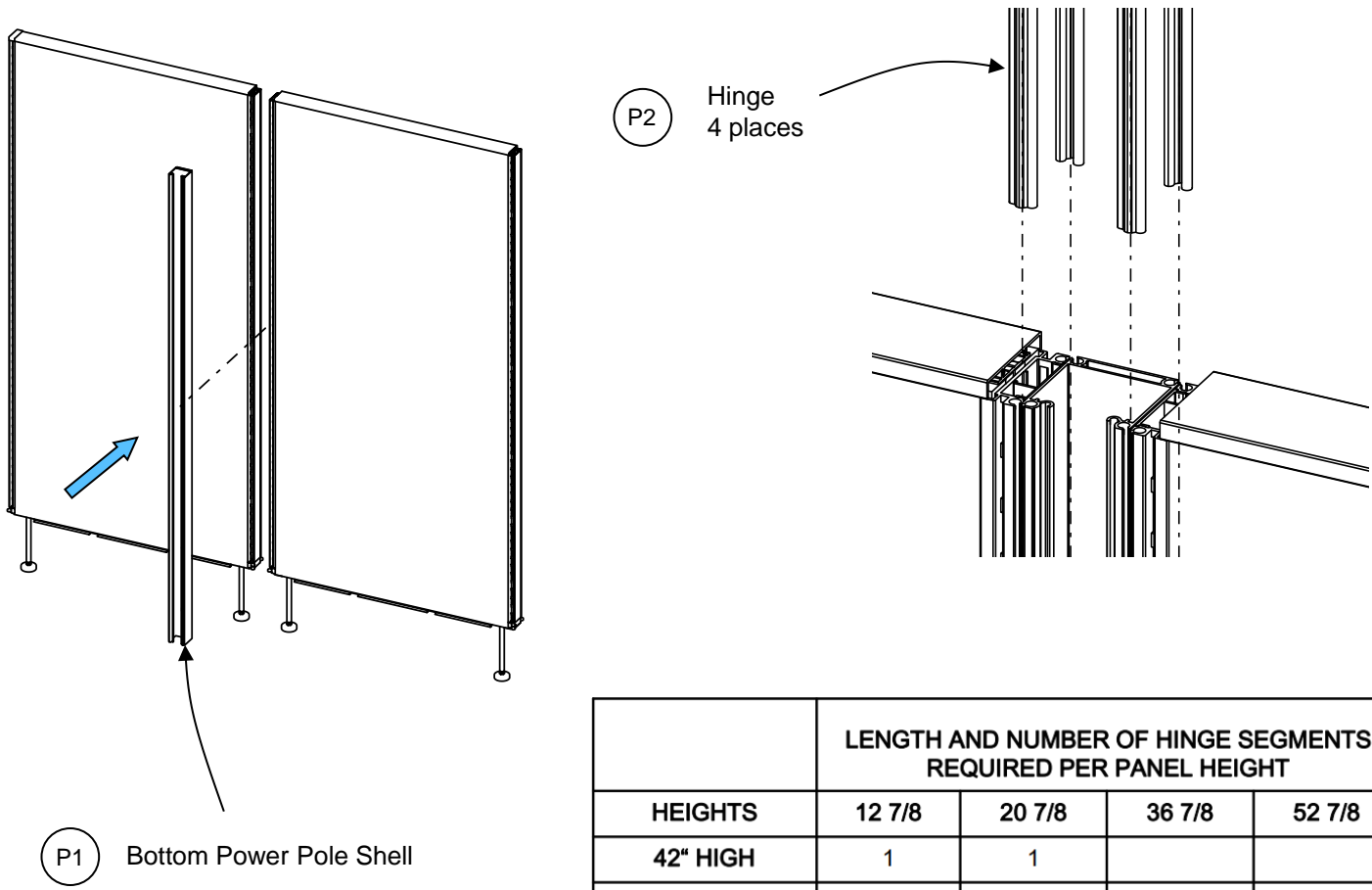
Item	Replacement Part number	Circle Sheet Part Number	Description	Image
P1	P-VSPILxx (xx = nominal in.)	RP-VSPILxx (xx = nominal in.)	Power Pole Shell	
P2	RP-VSHxx (xx = nominal in.)	RP-VSHxx (xx = nominal in.)	Hinge	
P3	P-VS180SM	RP-VS180S	3-Way Shroud	
P4	P-VSPILCxx (xx = nominal in.)	RP-VSPILCxx (xx = nominal in.)	Power Pole Cover	
P5	P-VLECA3	RP-VLECA3	End Cap	
P6	RP-VLPPILTC	RP-VLPPILTC	Top Cap	

# Divi 180° Spacer Installation Instructions

**Step 1:** Remove top caps.



**Step 2:** Install the power pole shell to the hanger frames using hinges as specified below.



P1 Bottom Power Pole Shell

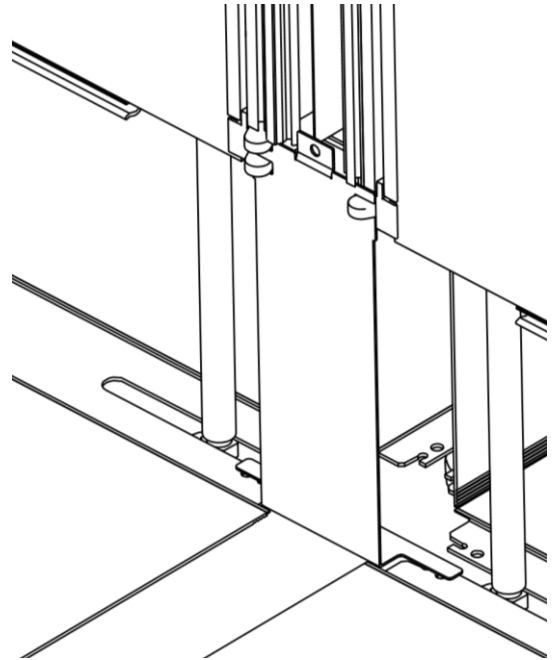
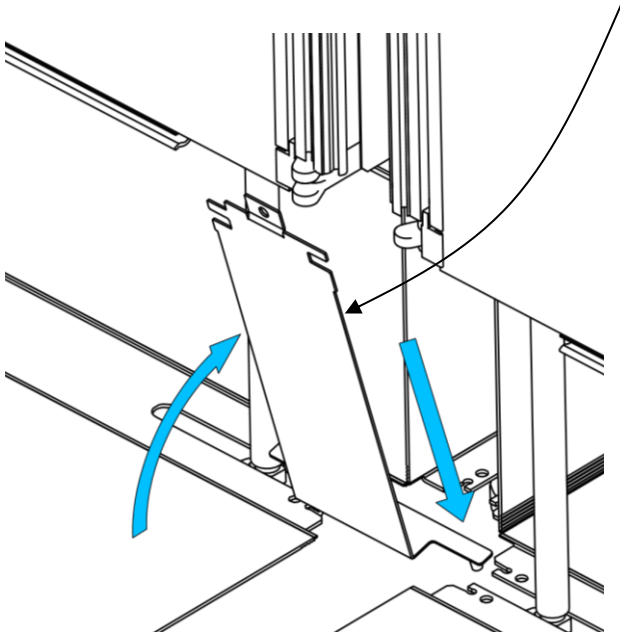
	LENGTH AND NUMBER OF HINGE SEGMENTS REQUIRED PER PANEL HEIGHT			
HEIGHTS	12 7/8	20 7/8	36 7/8	52 7/8
42" HIGH	1	1		
50" HIGH		2		
66" HIGH		1	1	
82" HIGH		1		1

# Divi 180° Spacer Installation Instructions

**Step 3:** Install the 3-way shroud on both sides of panel.

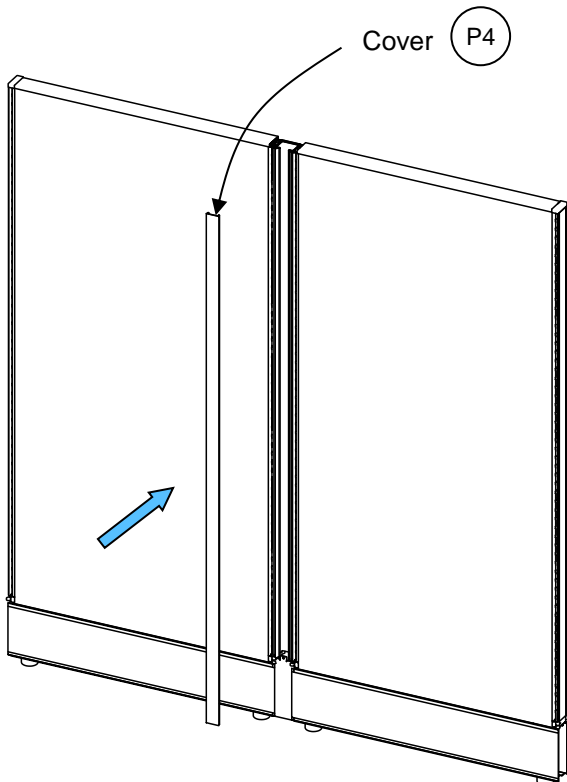
3-Way Shroud  
2 places

P3

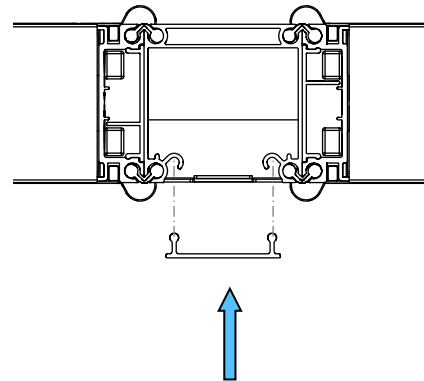


**Step 4:** Install the cover.

Cover P4

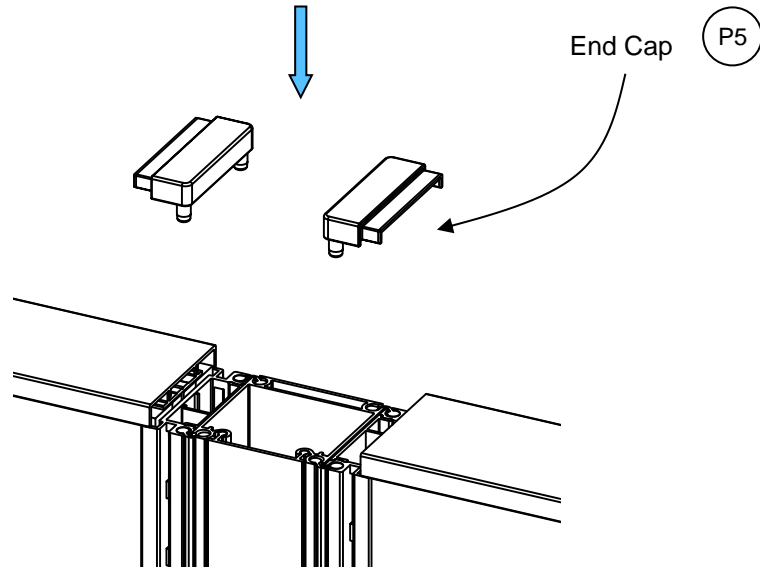


Top View

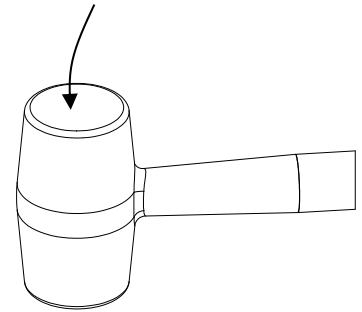


# Divi 180° Spacer Installation Instructions

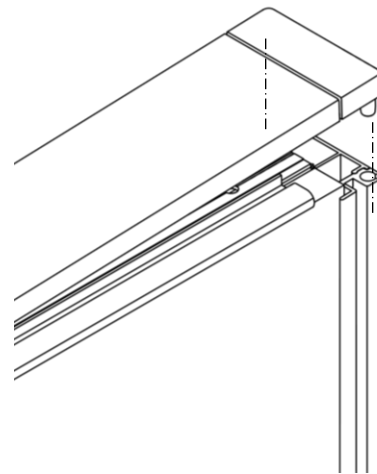
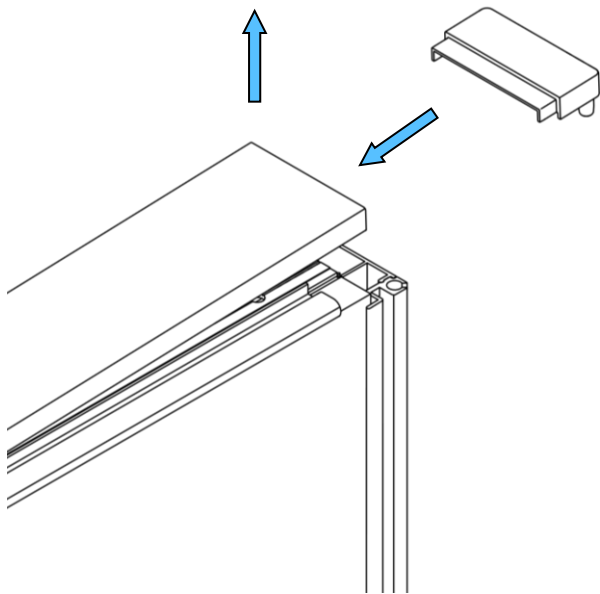
**Step 5:** Re-install end caps.



Use a non-marring mallet to GENTLY tap into place



Lift end of top cap up 1/2" max.  
Do not bend or crease top cap.  
Install the end cap under the top cap.



# Divi 180° Spacer Installation Instructions

**Step 6:** Install spacer top cap.

