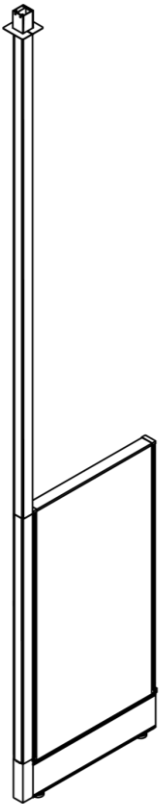
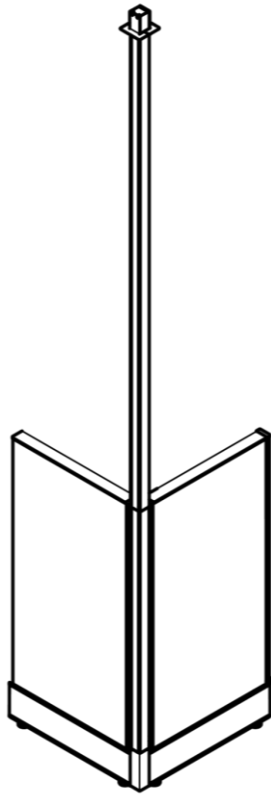


# Divi In-Line Power Pole Installation Instructions

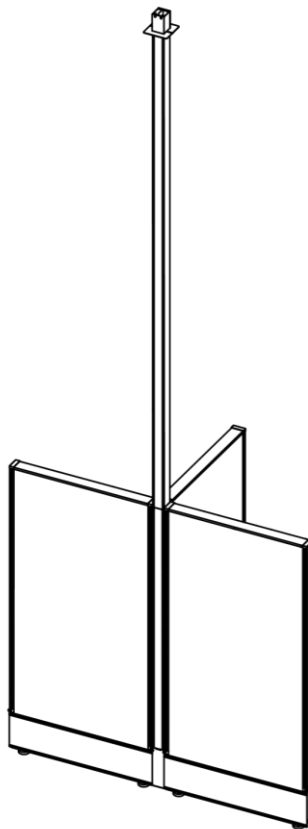
Date	Page No.	Description of change	Name
07/27/2021	1-22	Released	S. Powers



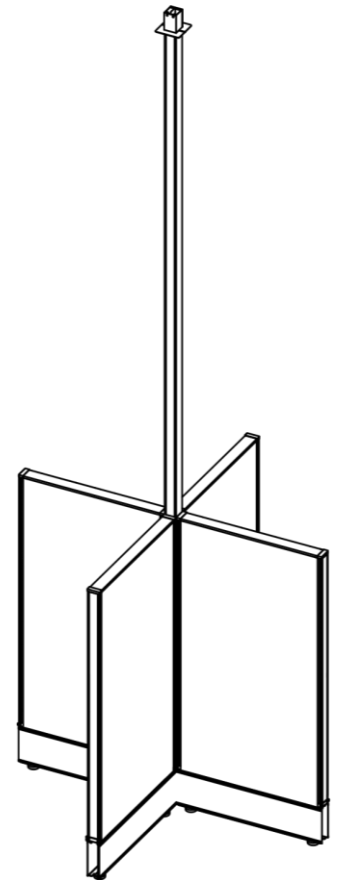
End of Run  
Configuration  
See pages 3-7



2-Way  
Configuration  
See pages 8-12









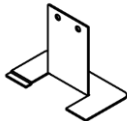





3-Way  
Configuration  
See pages 13-17



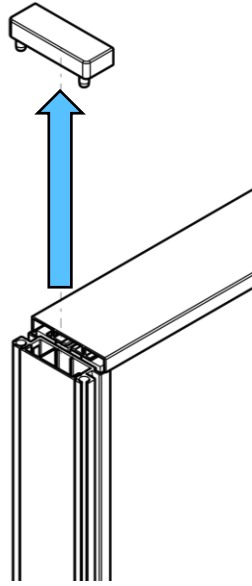
4-Way  
Configuration  
See pages 18-22

# Divi In-Line Power Pole Installation Instructions

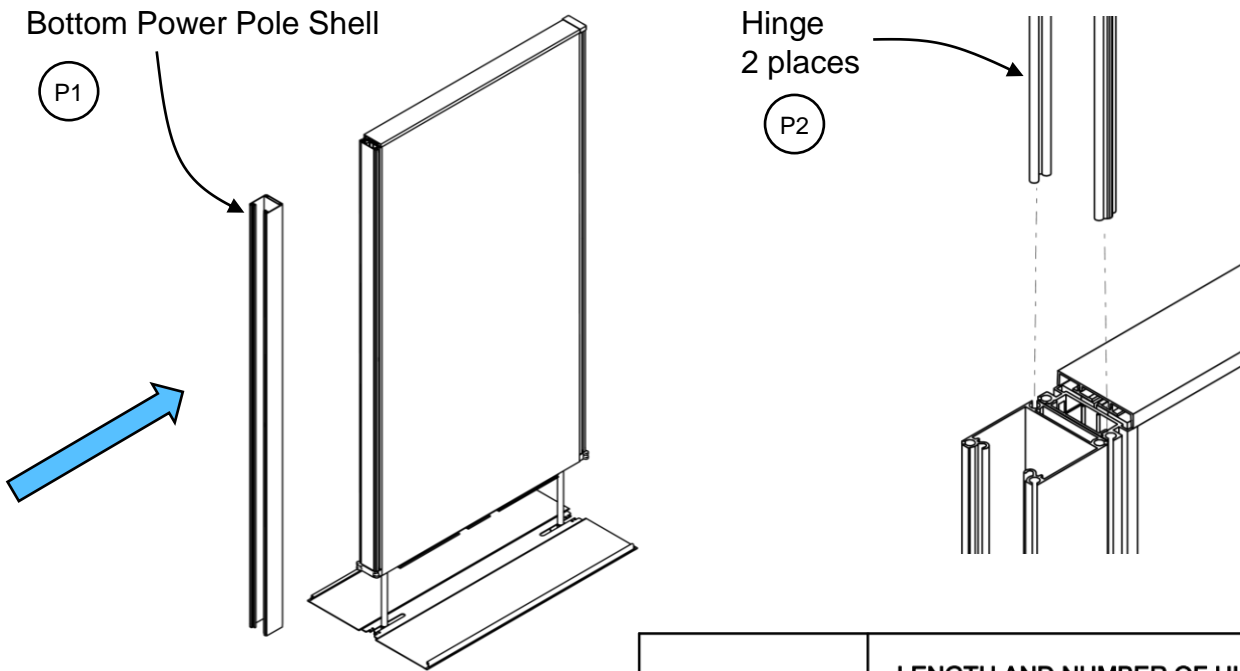
Item	Replacement Part number	Circle Sheet Part Number	Description	Image
P1	P-VSPPI <sub>L</sub> xx (xx = nominal in.)	RP-VSPPI <sub>L</sub> xx (xx = nominal in.)	Power Pole Shell	
P2	RP-VSHxx (xx = nominal in.)	RP-VSHxx (xx = nominal in.)	Hinge	
P3	A-VSPPCP	RA-VSPPCP	Coupler	
P4	RP-MXHS83214A-I	RP-MXHS83214A	#8-32 x 5/16" Pan Head Screw	
P5	A-VSPPDxx (xx = nominal in.)	RA-VSPPDxx (xx = nominal in.)	Divider	
P6	TSP838-A	TSP838-A	#8-32 x 3/8" Pan Head Drilling Screw	
P7	P-VSEORS	RP-VSEORS	End of Run Shroud	
P8	P-VSPPI <sub>L</sub> Cxx (xx = nominal in.)	RP-VSPPI <sub>L</sub> Cxx (xx = nominal in.)	Power Pole Cover	
P9	P-VSPPCS	RA-VSPPCS	Ceiling Shroud	
P10	A-PPGAS	RA-PPGAS	Plastic Retainer	
P11	PP-VSPPI <sub>L</sub> 2	RP-VSPPI <sub>L</sub> 2	2-Way Shroud	
P12	P-VS180SM	RP-VS180S	3-Way Shroud	

# Divi In-Line Power Pole Installation Instructions - End of Run

**Step 1:** Remove top cap.



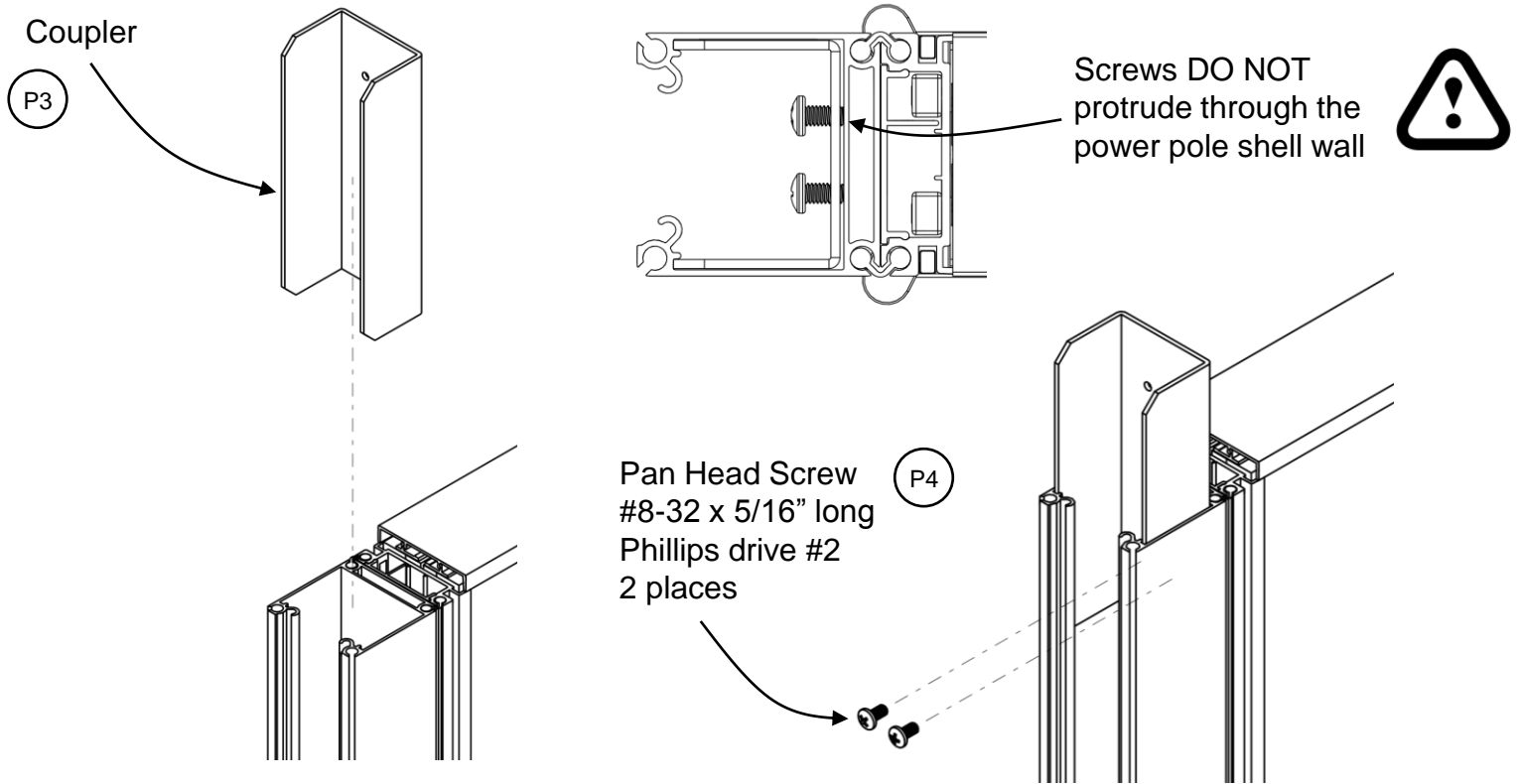
**Step 2:** Install the power pole shell adjacent to the hanger frames using hinges as specified below.



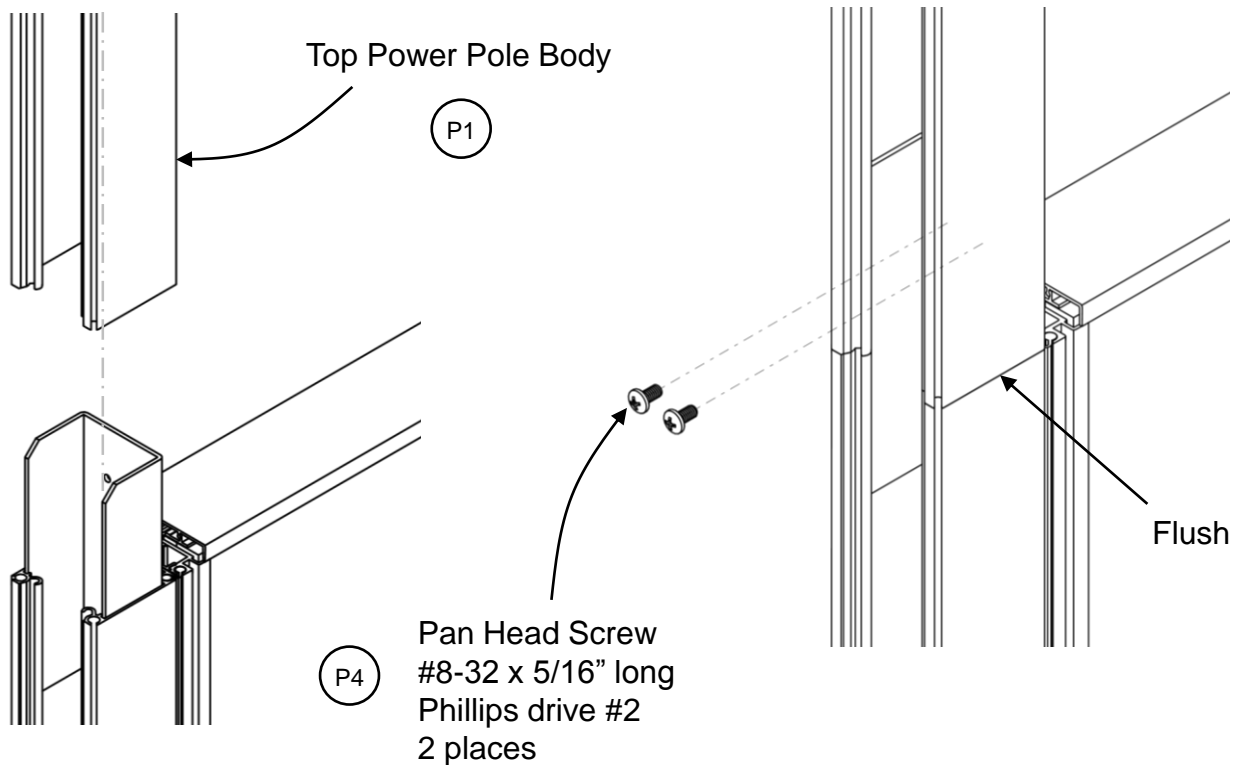
	LENGTH AND NUMBER OF HINGE SEGMENTS REQUIRED PER PANEL HEIGHT			
HEIGHTS	12 7/8	20 7/8	36 7/8	52 7/8
42" HIGH	1	1		
50" HIGH		2		
66" HIGH		1	1	
82" HIGH		1		1

# Divi In-Line Power Pole Installation Instructions - End of Run

**Step 3:** Slide the coupler into the power pole shell as shown and secure using (2) #8-32 x 5/16" screws.

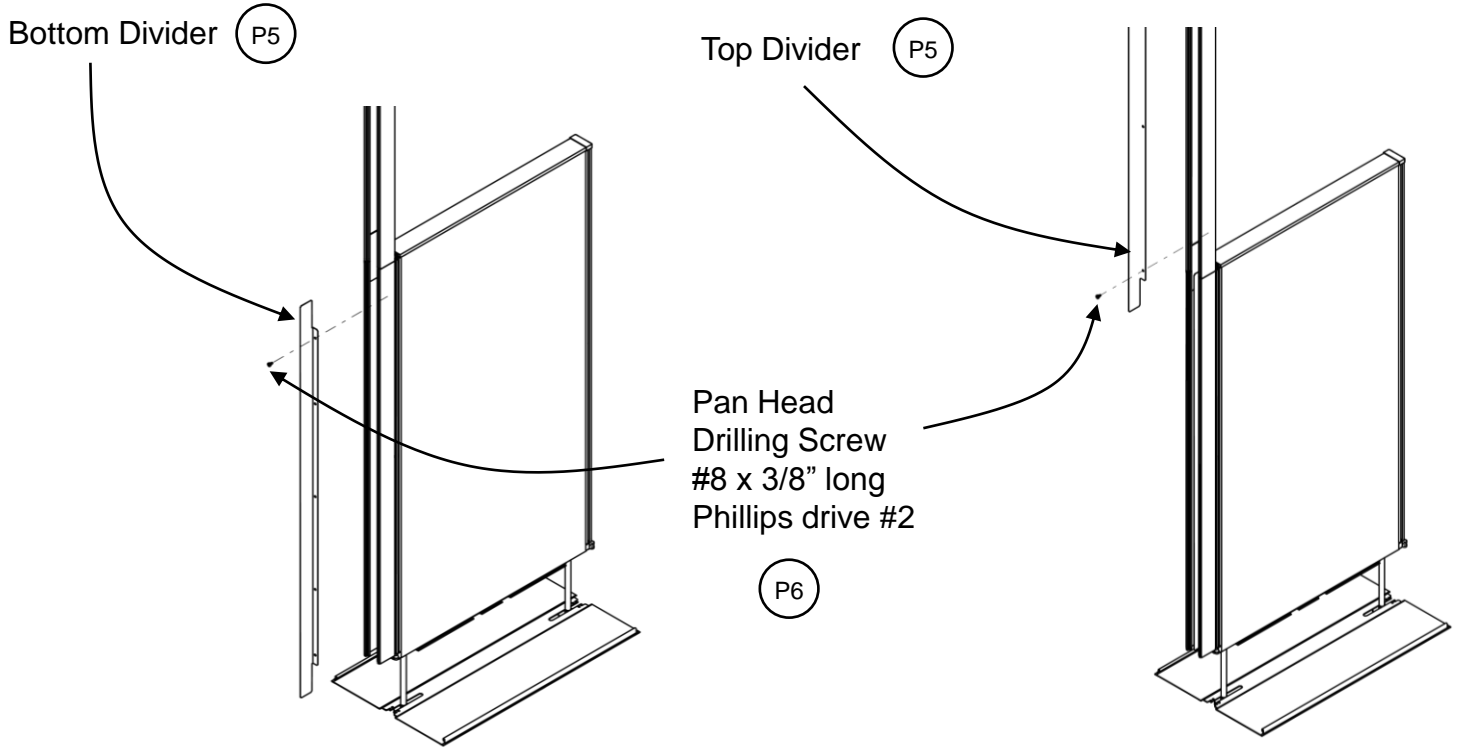


**Step 4:** Slide the top power pole shell over the coupler and secure using (2) #8-32 x 5/16" screws.

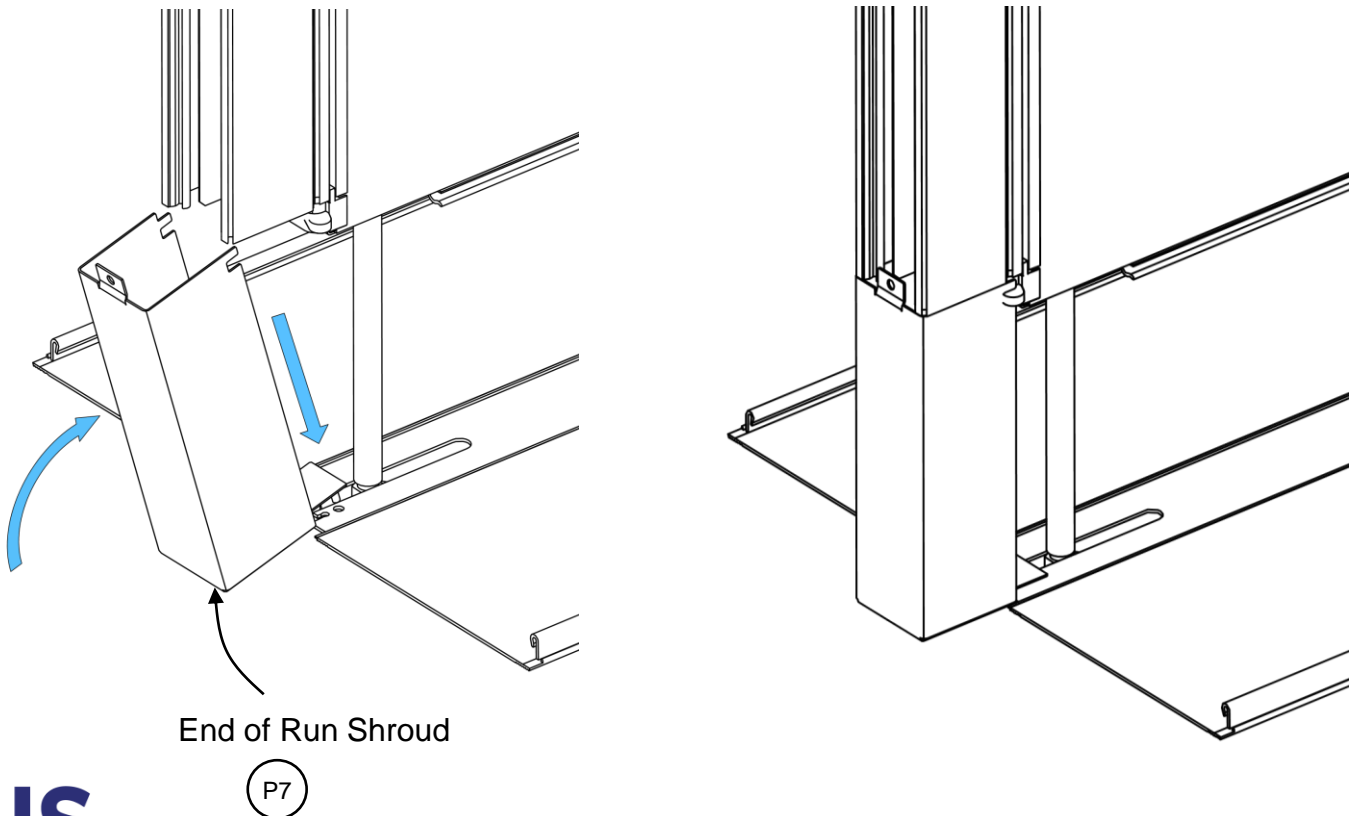


# Divi In-Line Power Pole Installation Instructions - End of Run

**Step 5:** Install the power pole dividers inside the power pole shell using #8 x 3/8" pan head drilling screws.

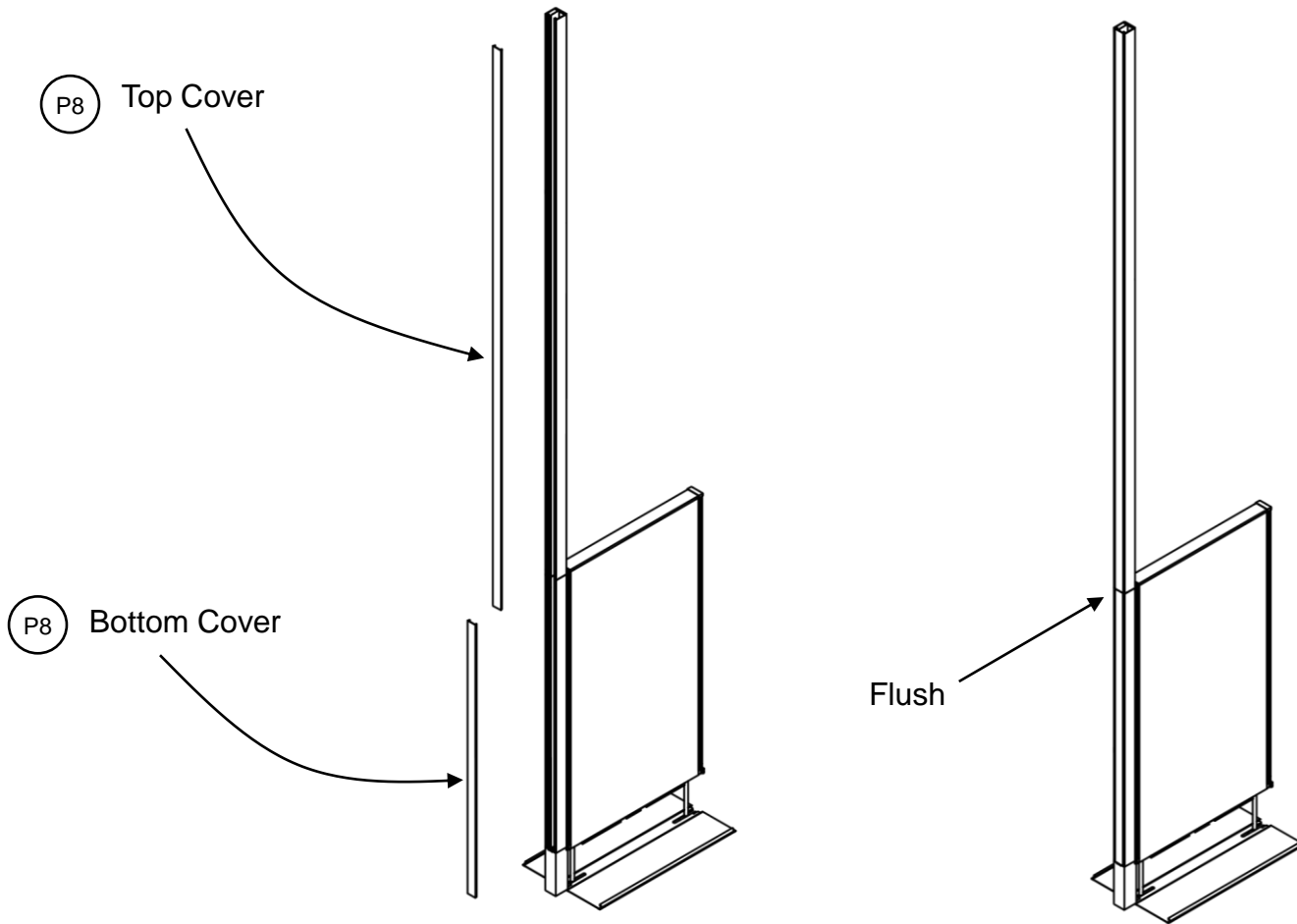


**Step 6:** Install the end of run shroud.

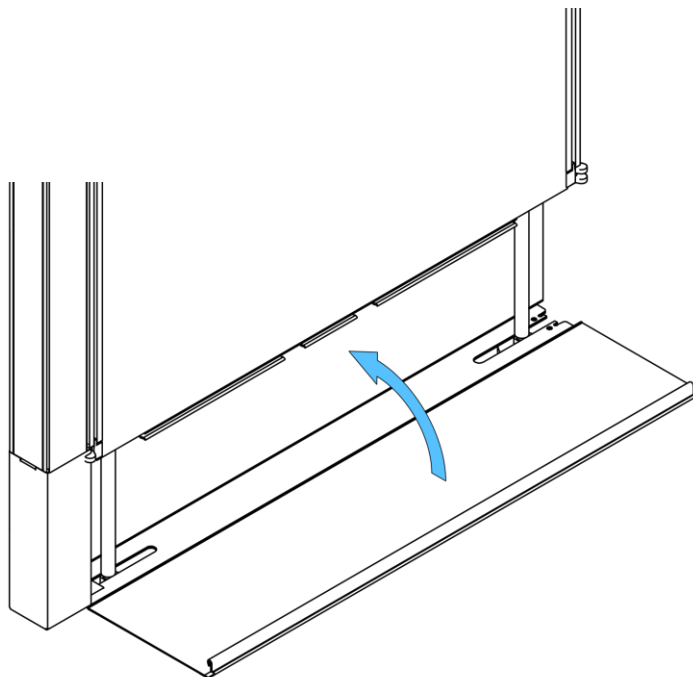


# Divi In-Line Power Pole Installation Instructions - End of Run

**Step 7:** Snap power pole covers onto the power pole, making sure they are flush with no gaps.

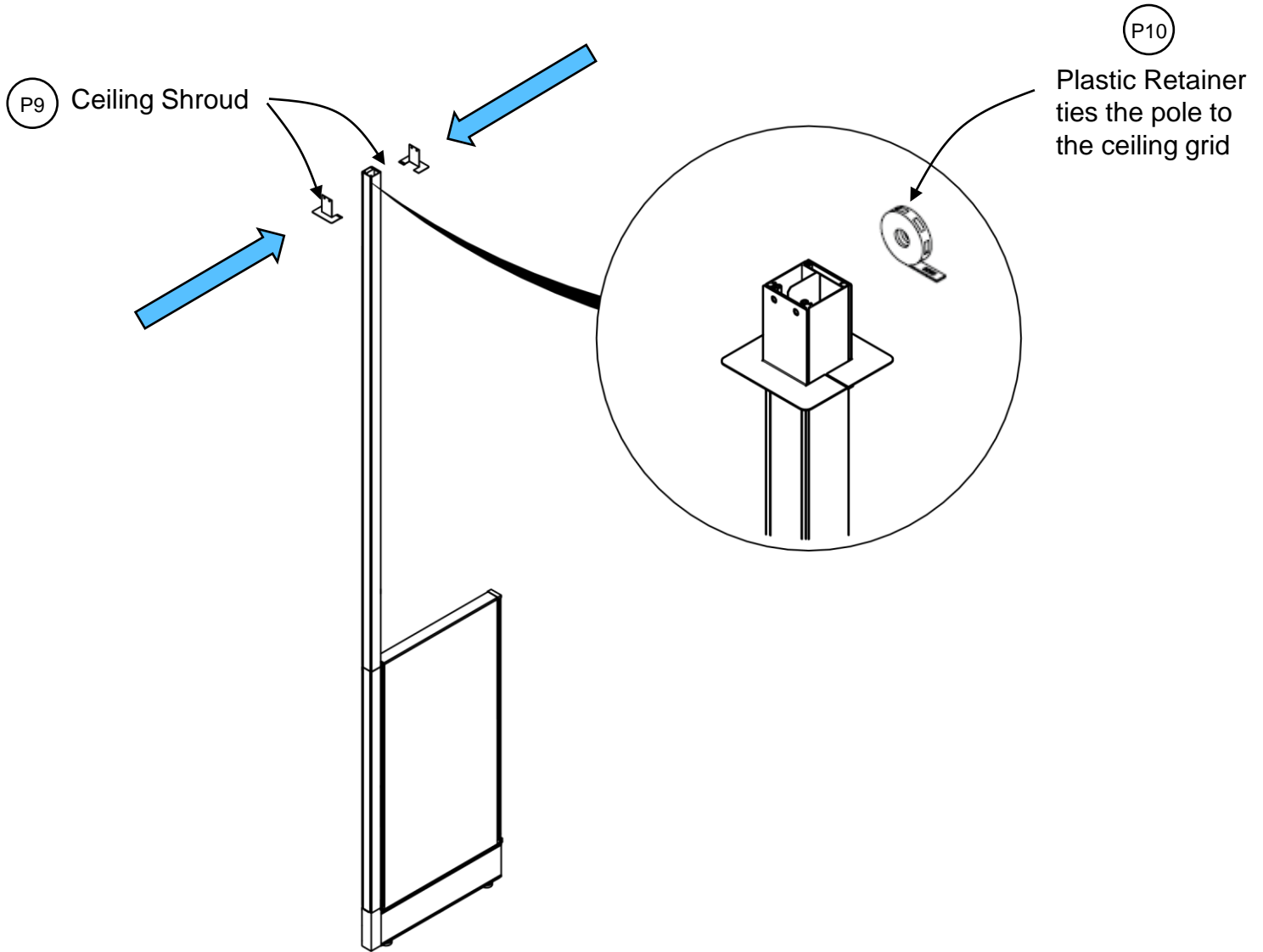


**Step 8:** Close raceway covers.

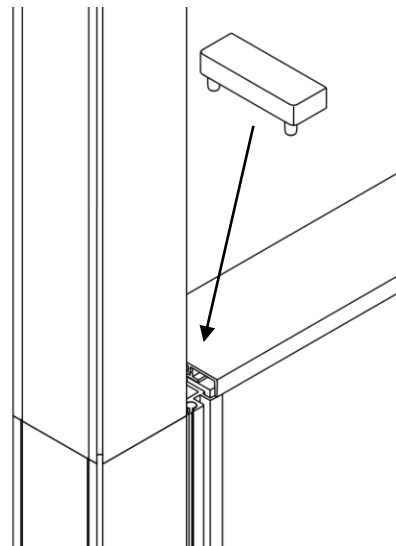


# Divi In-Line Power Pole Installation Instructions - End of Run

**Step 9:** Install ceiling shrouds.

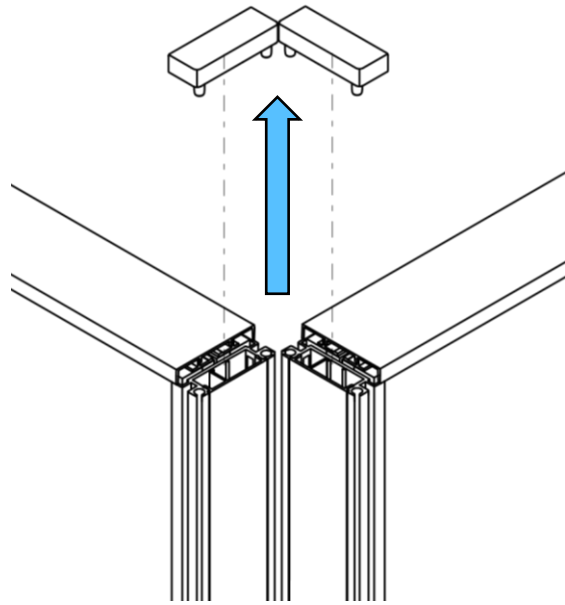


**Step 10:** Re-install top caps

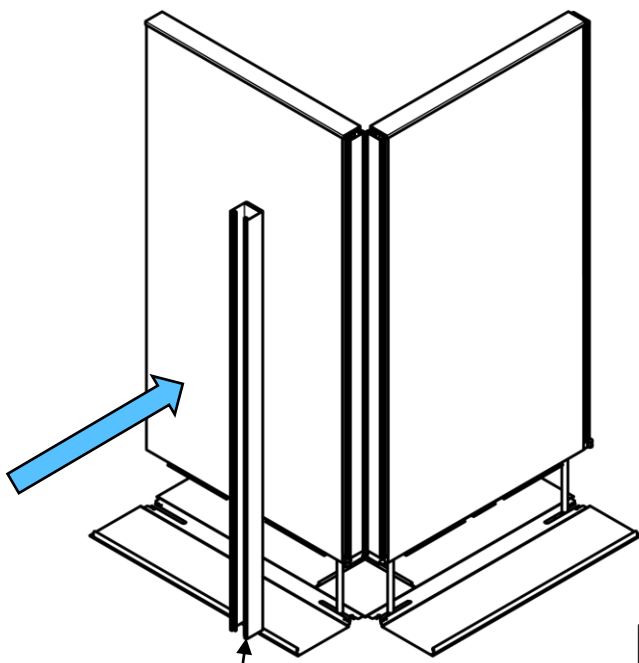


# Divi In-Line Power Pole Installation Instructions - 2 Way

**Step 1:** Remove top caps.



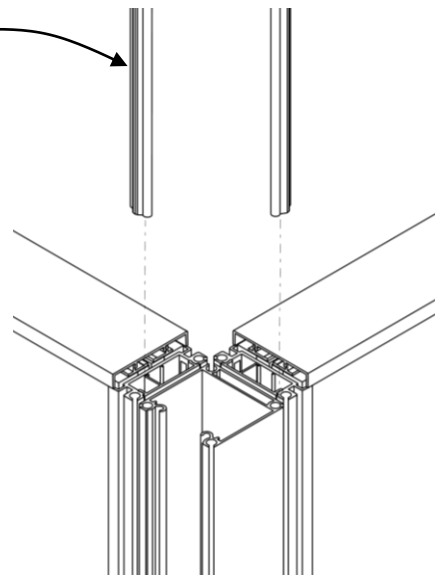
**Step 2:** Install the power pole shell adjacent to the hanger frames using hinges as specified below.



P1 Bottom Power Pole Shell

Hinge  
2 places

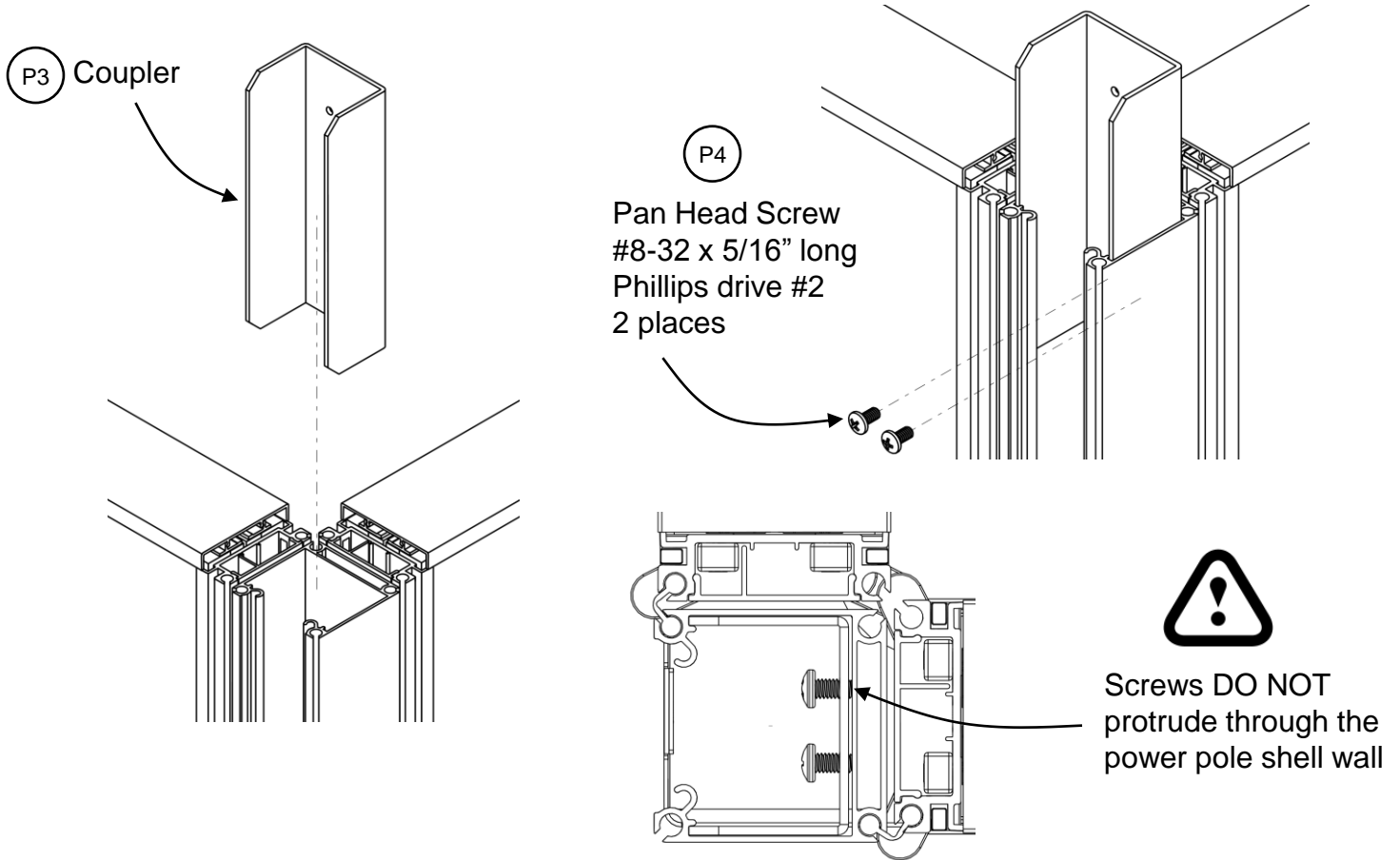
P2



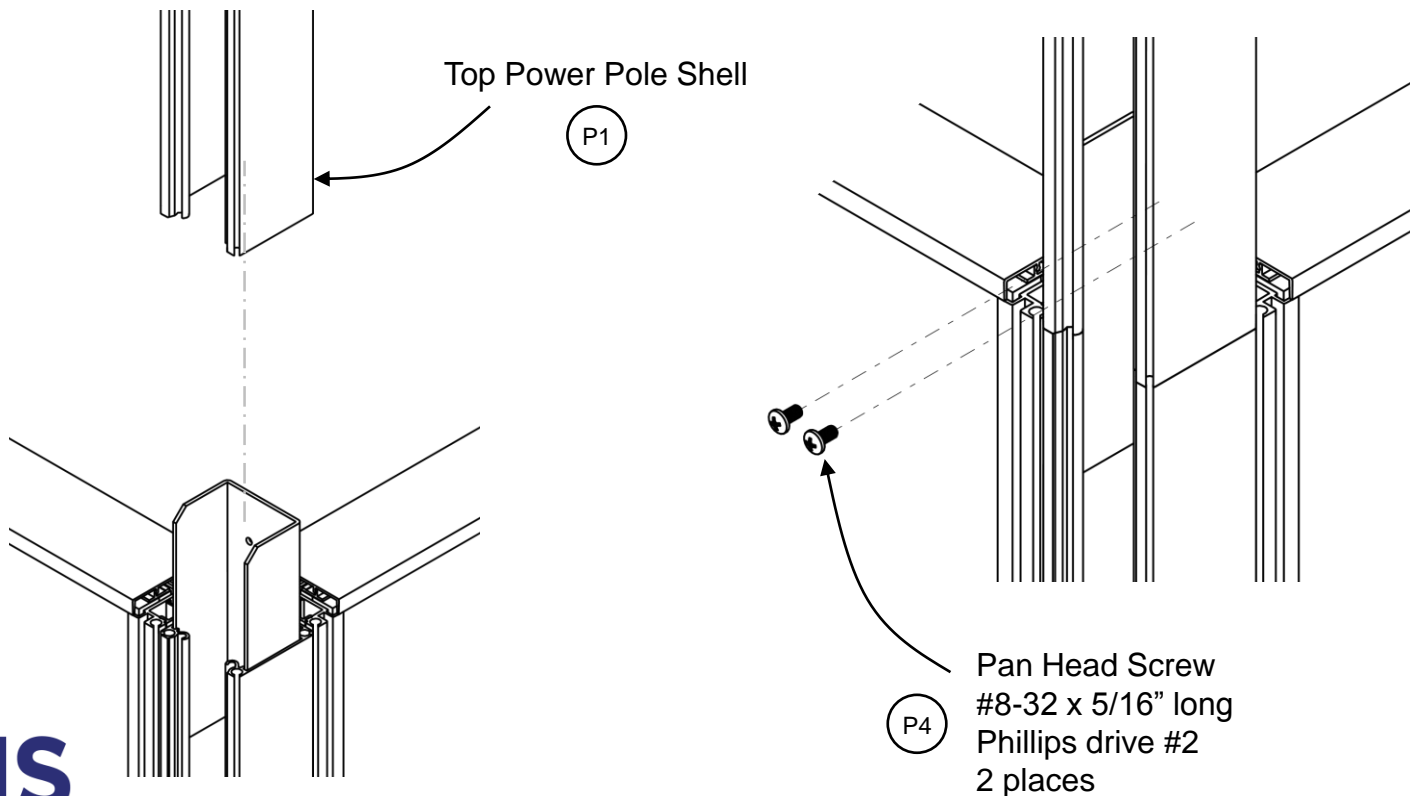
	LENGTH AND NUMBER OF HINGE SEGMENTS REQUIRED PER PANEL HEIGHT			
HEIGHTS	12 7/8	20 7/8	36 7/8	52 7/8
42" HIGH	1	1		
50" HIGH		2		
66" HIGH		1	1	
82" HIGH		1		1

# Divi In-Line Power Pole Installation Instructions - 2 Way

**Step 3:** Slide the coupler into the power pole shell as shown and secure using (2) #8-32 x 5/16" screws.

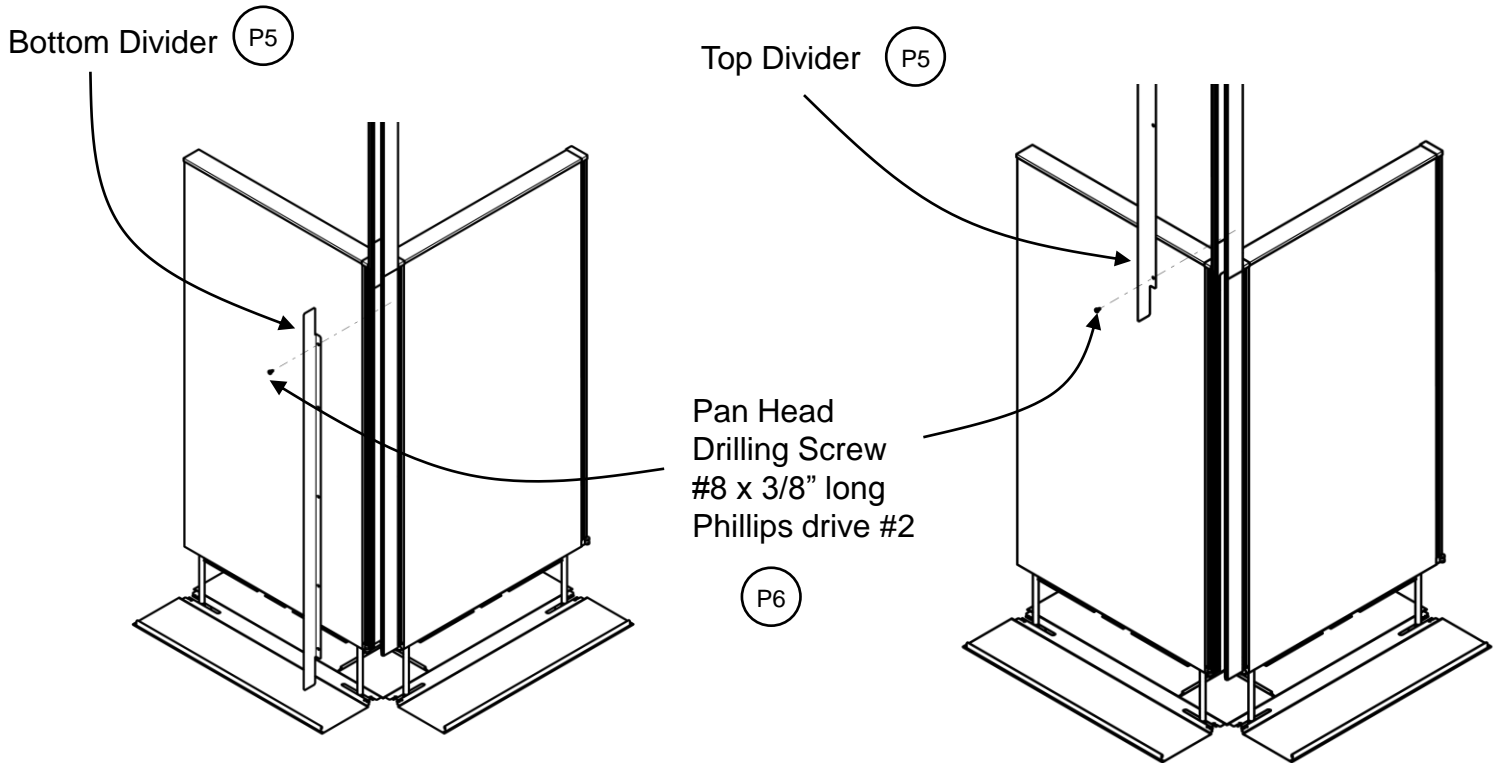


**Step 4:** Slide the top power pole shell over the coupler and secure using (2) #8-32 x 5/16" screws.

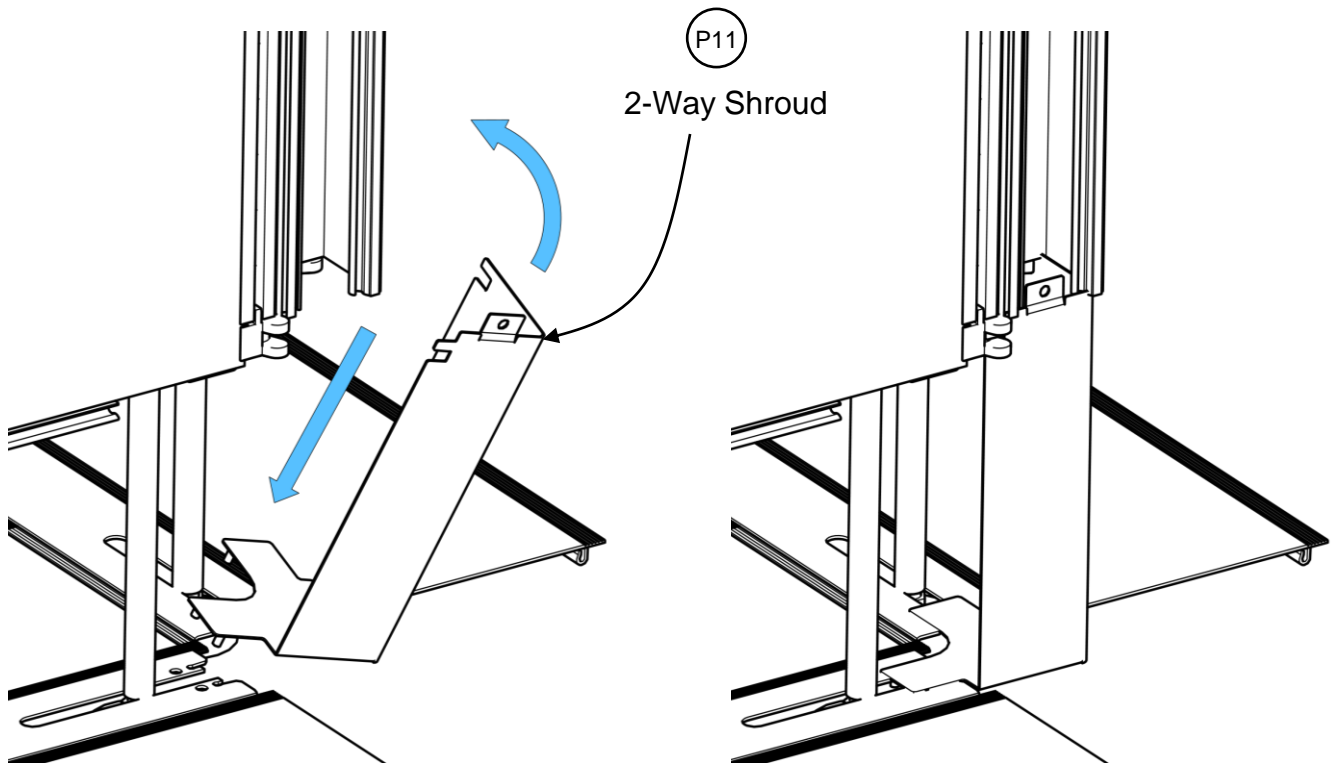


# Divi In-Line Power Pole Installation Instructions - 2 Way

**Step 5:** Install power pole dividers inside the power pole body using #8 x 3/8" pan head drilling screws.

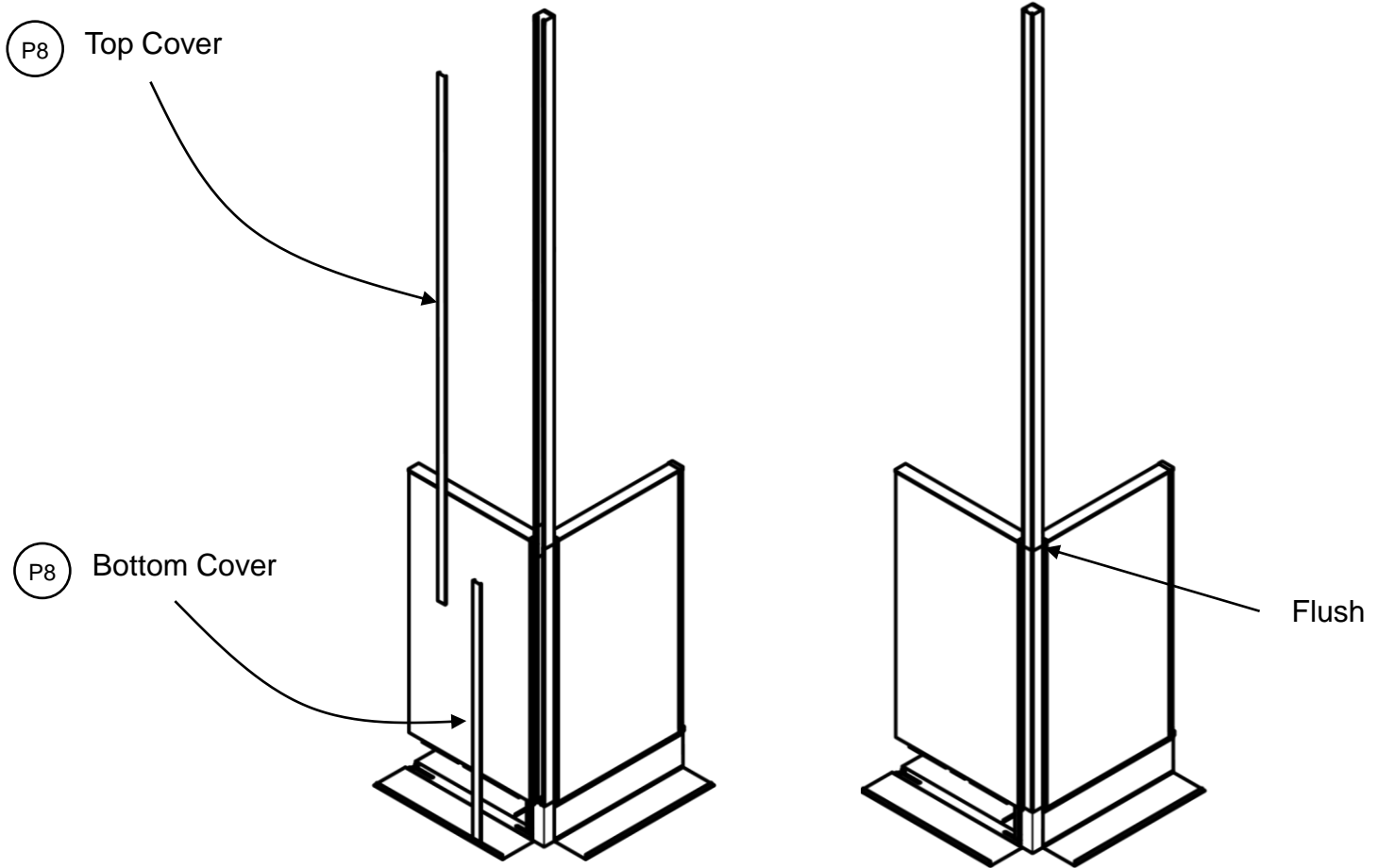


**Step 6:** Install the 2-way shroud.

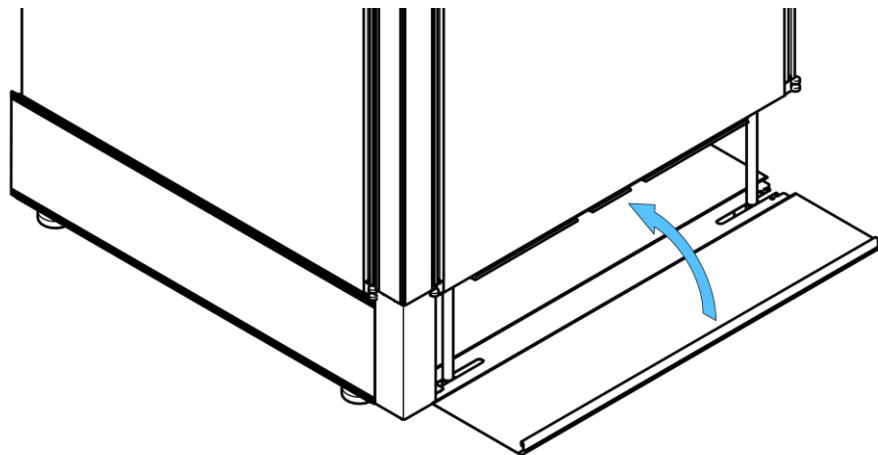


# Divi In-Line Power Pole Installation Instructions - 2 Way

**Step 7:** Snap power pole covers onto the power pole, making sure they are flush with no gaps.

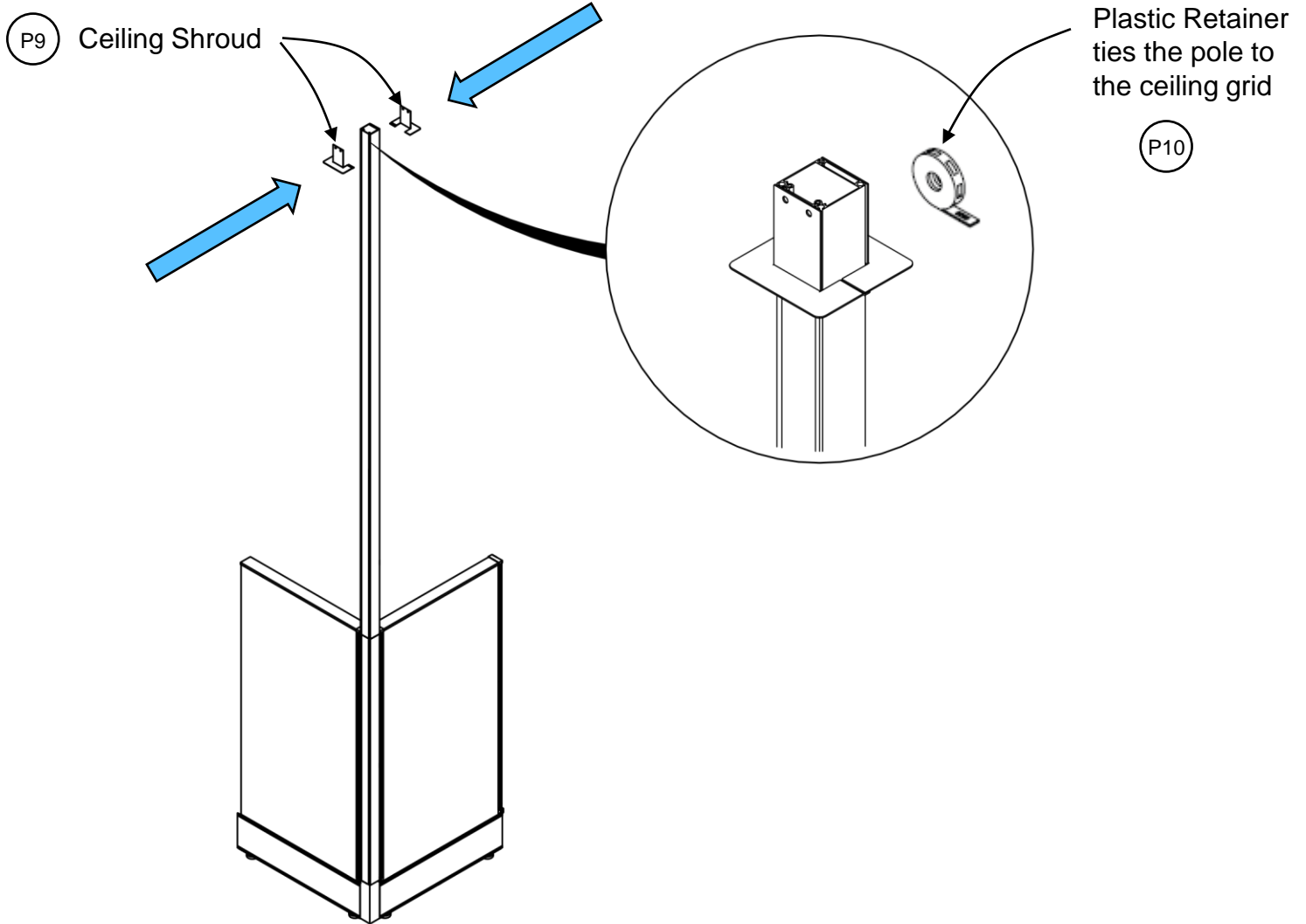


**Step 8:** Close raceway covers.

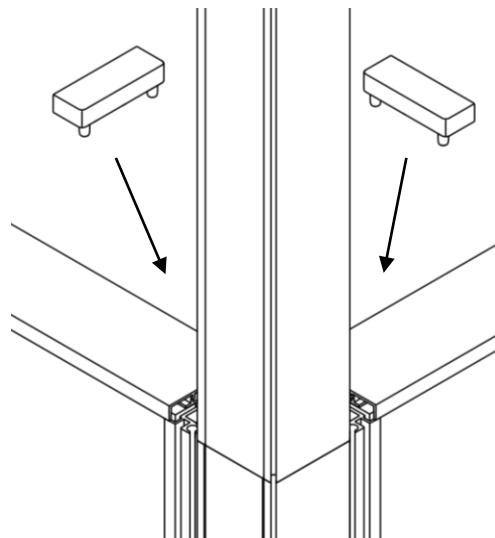


# Divi In-Line Power Pole Installation Instructions - 2 Way

**Step 9:** Install ceiling shrouds.

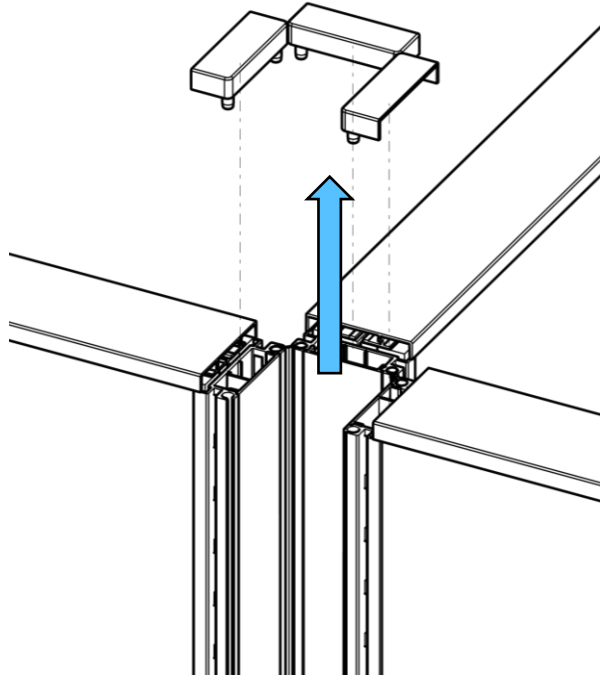


**Step 9:** Re-install top caps

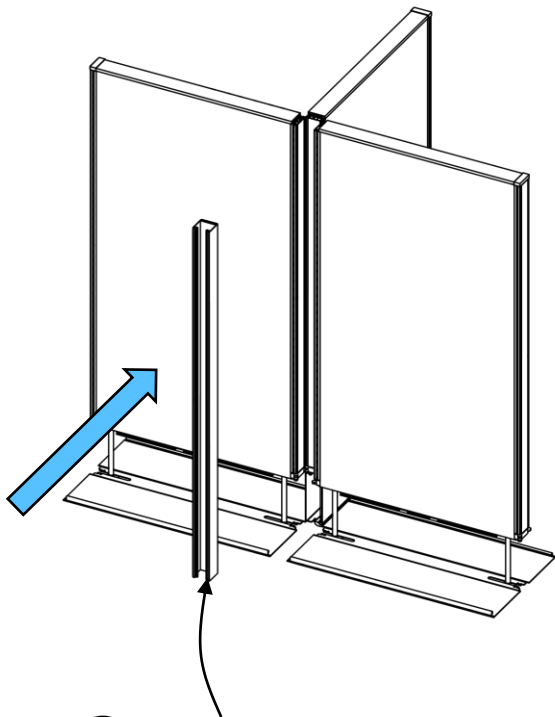


# Divi In-Line Power Pole Installation Instructions - 3 Way

**Step 1:** Remove top caps.

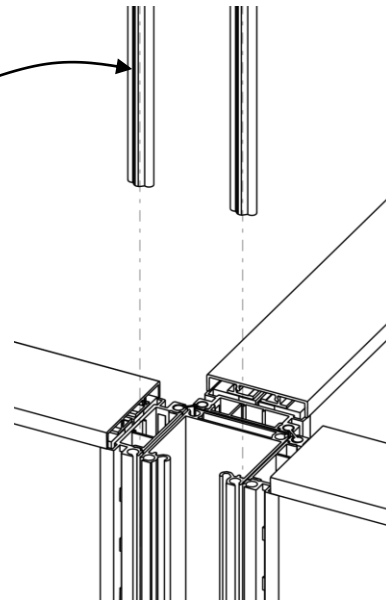


**Step 2:** Install the power pole shell to the hanger frames using hinges as specified below.



P1 Bottom Power Pole Shell

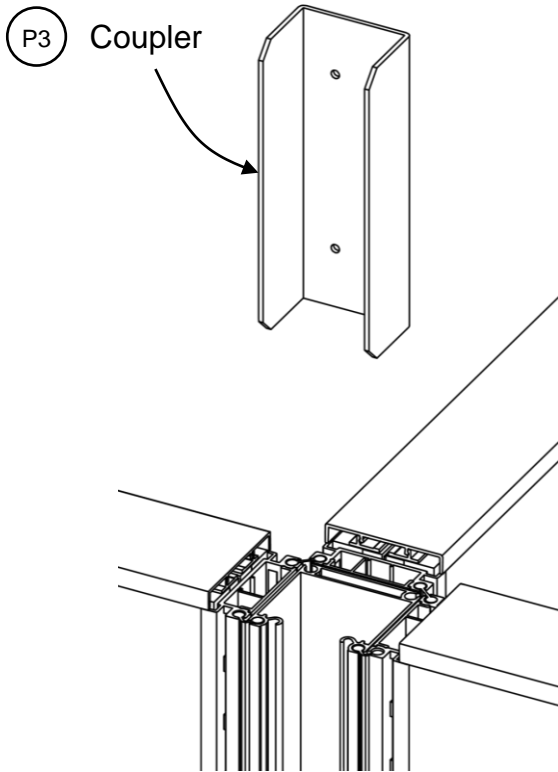
P2 Hinge  
2 places



	LENGTH AND NUMBER OF HINGE SEGMENTS REQUIRED PER PANEL HEIGHT			
HEIGHTS	12 7/8	20 7/8	36 7/8	52 7/8
42" HIGH	1	1		
50" HIGH		2		
66" HIGH		1	1	
82" HIGH		1		1

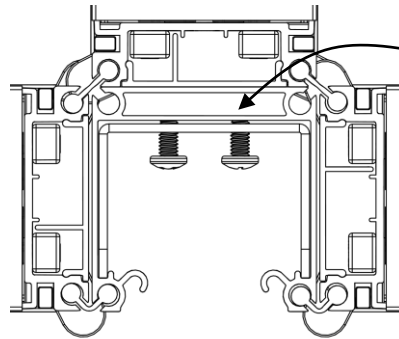
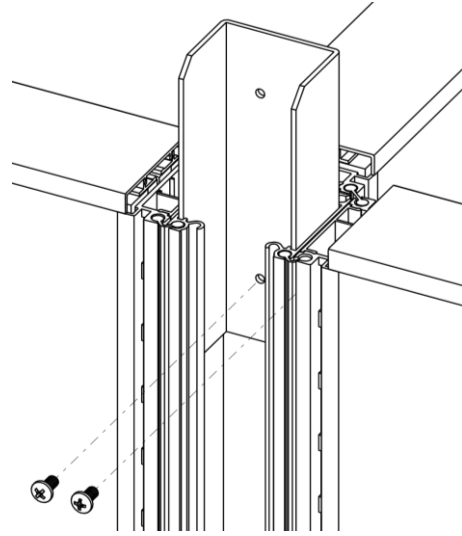
# Divi In-Line Power Pole Installation Instructions - 3 Way

**Step 3:** Slide the coupler into the power pole shell as shown and secure using (2) #8-32 x 5/16" screws.



Pan Head Screw  
#8-32 x 5/16" long  
Phillips drive #2  
2 places

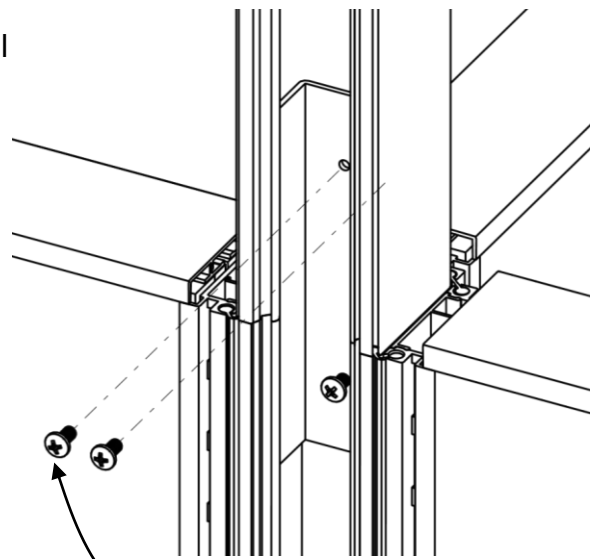
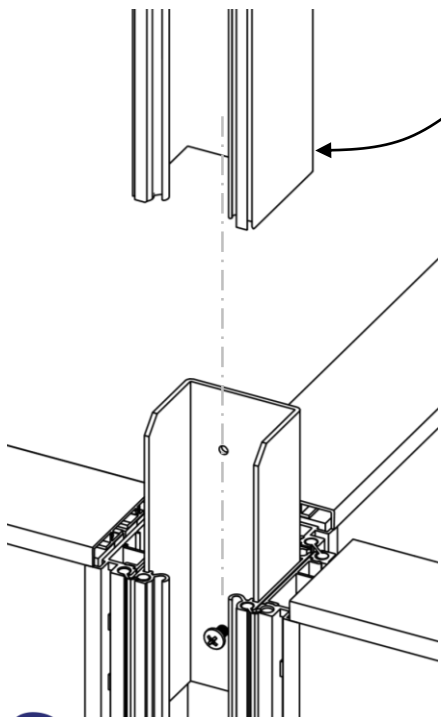
P4



Screws DO NOT  
protrude through the  
power pole shell wall



**Step 4:** Slide the top power pole shell over the coupler and secure using (2) #8-32 x 5/16" screws.

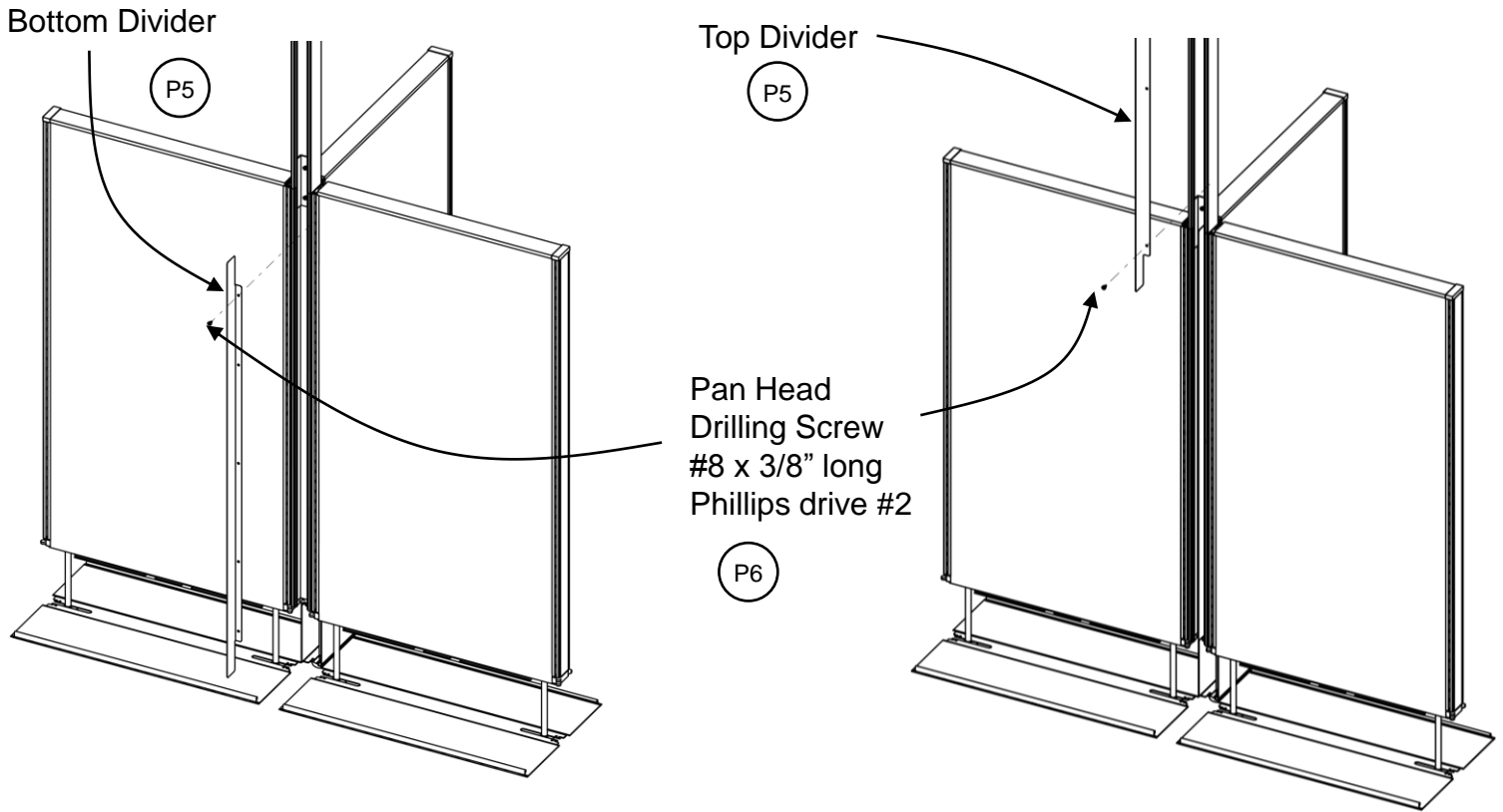


Pan Head Screw  
#8-32 x 5/16" long  
Phillips drive #2  
2 places

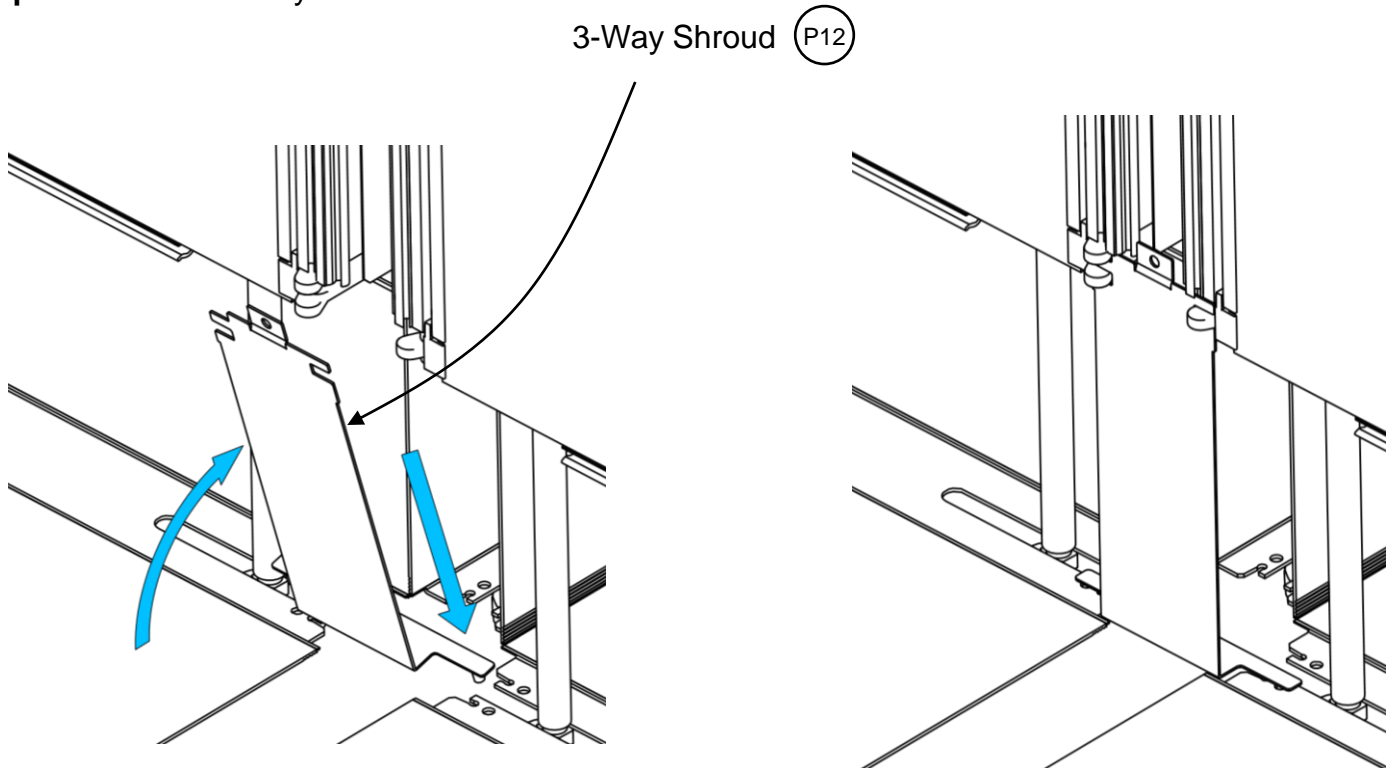
P4

# Divi In-Line Power Pole Installation Instructions - 3 Way

**Step 5:** Install power pole dividers inside the power pole body using #8 x 3/8" pan head drilling screws.

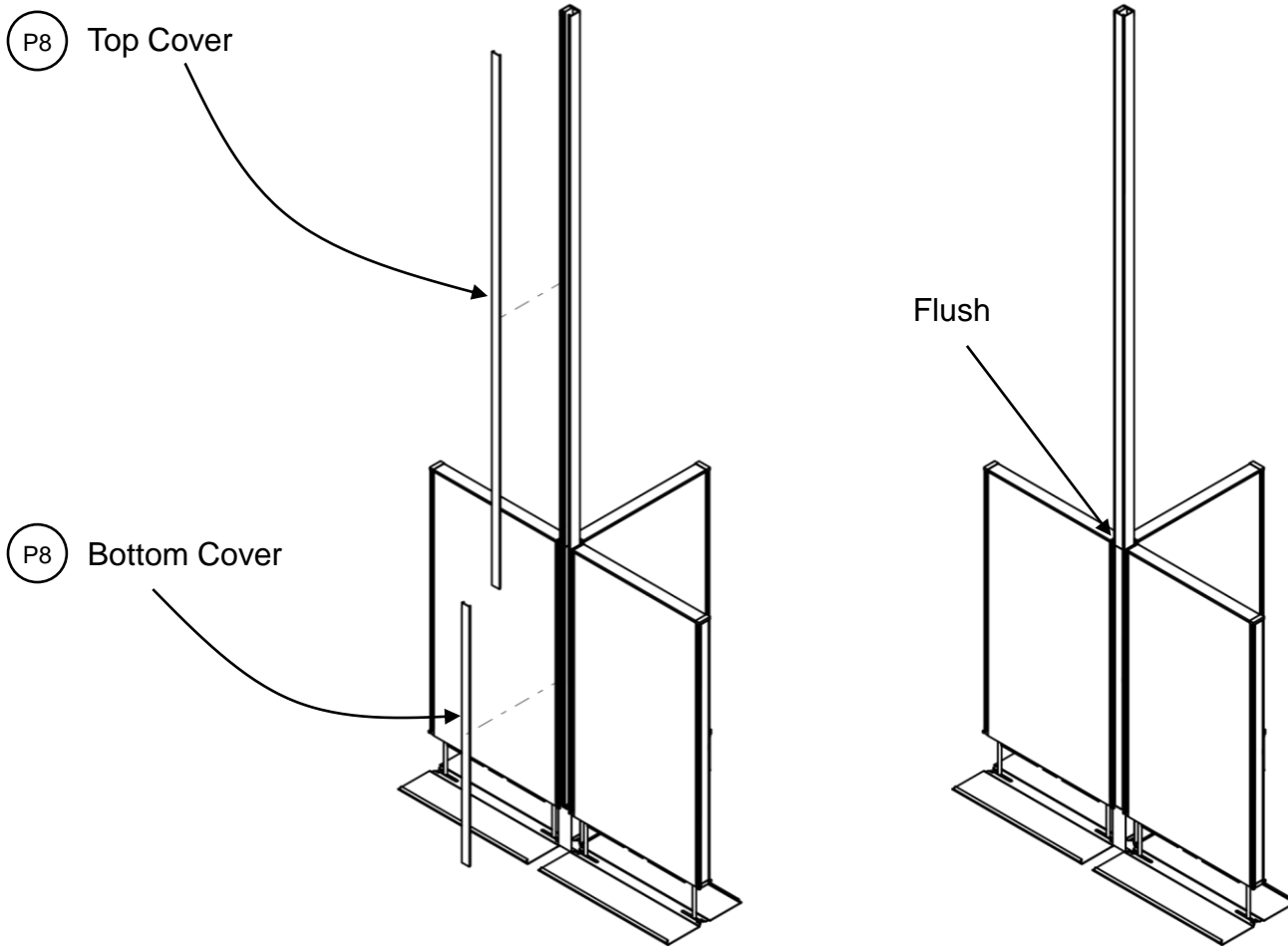


**Step 6:** Install the 3-way shroud.

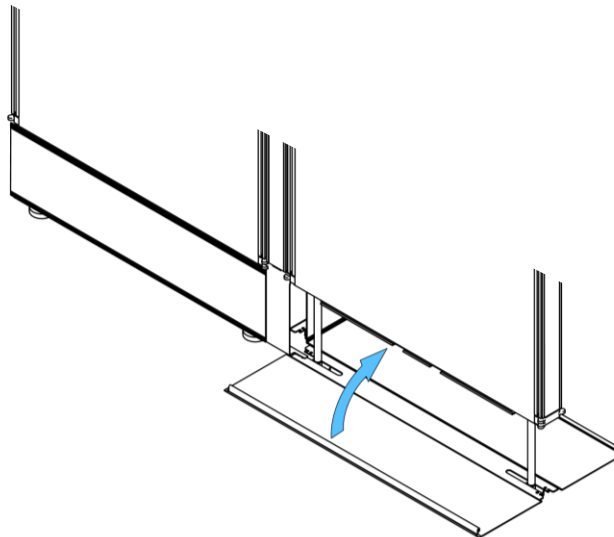


# Divi In-Line Power Pole Installation Instructions - 3 Way

**Step 7:** Snap power pole covers onto the power pole, making sure they are flush with no gaps.

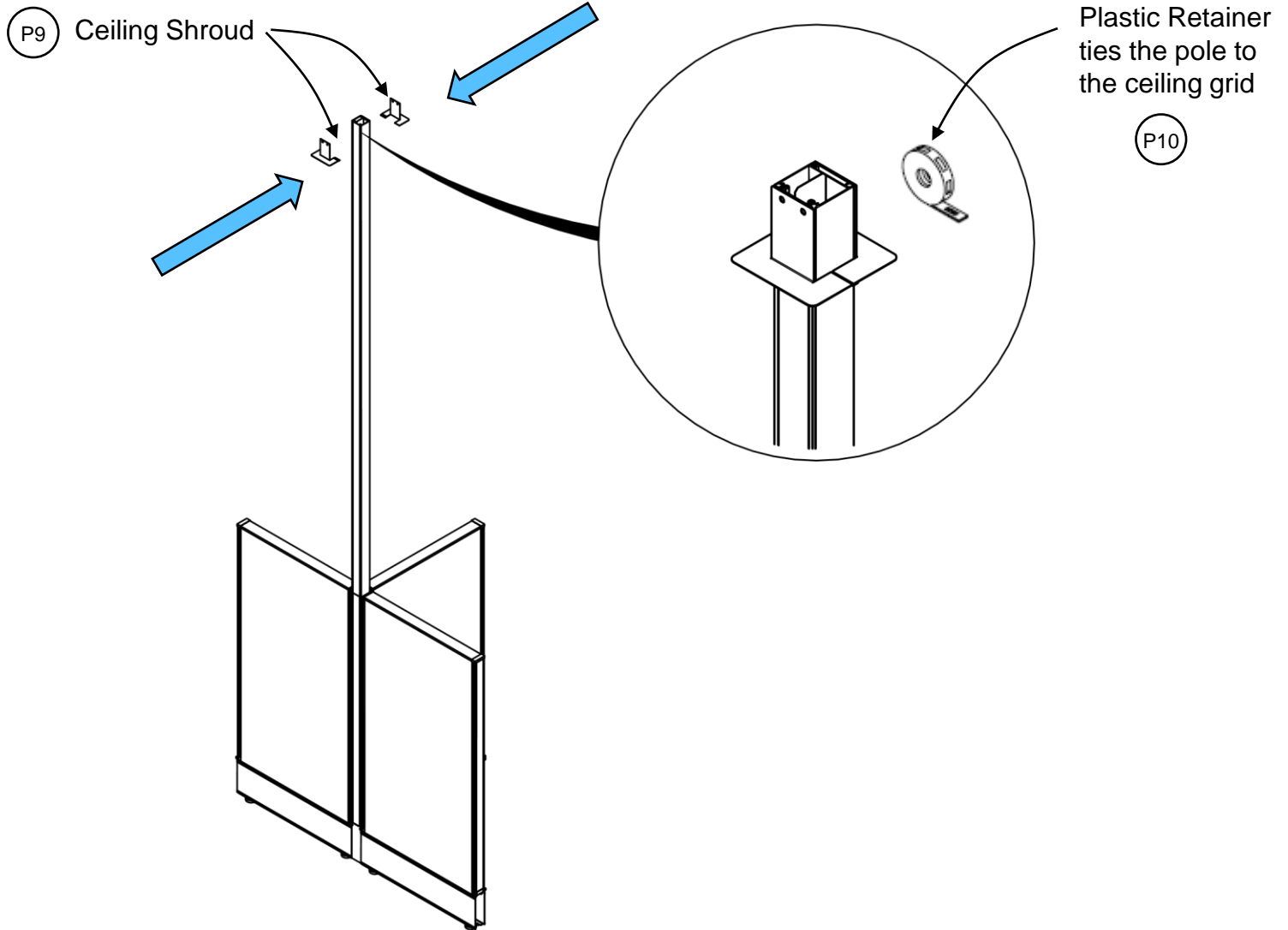


**Step 8:** Close raceway covers.

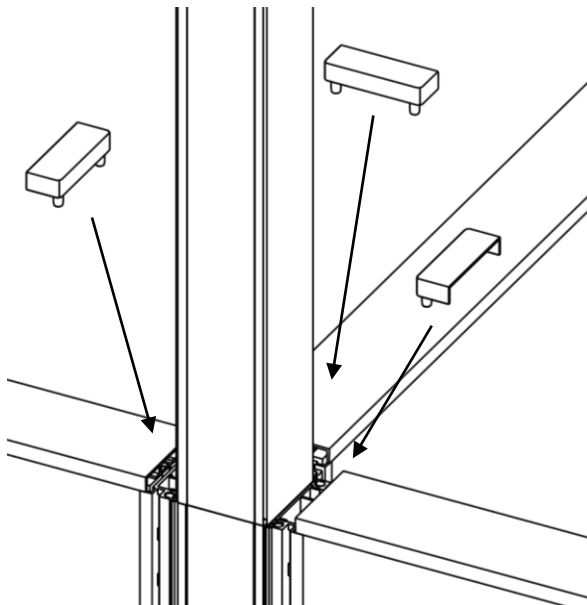


# Divi In-Line Power Pole Installation Instructions - 3 Way

**Step 9:** Install ceiling shrouds.

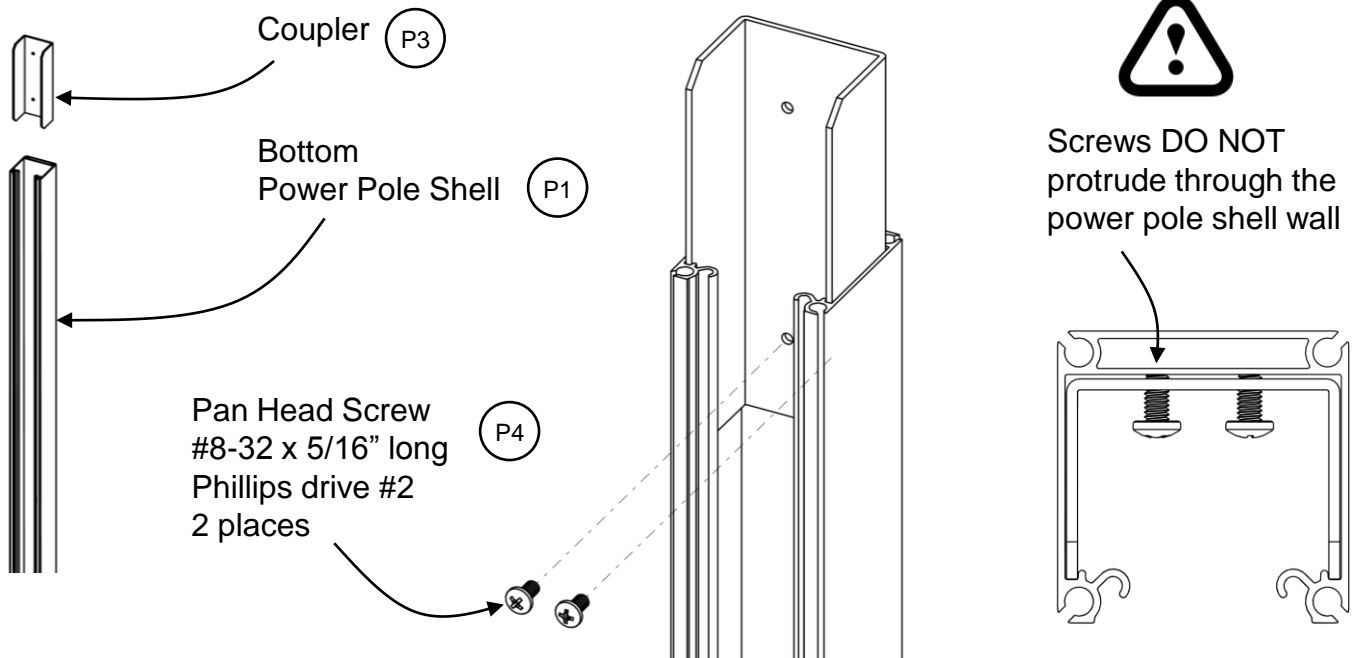


**Step 9:** Re-install top caps

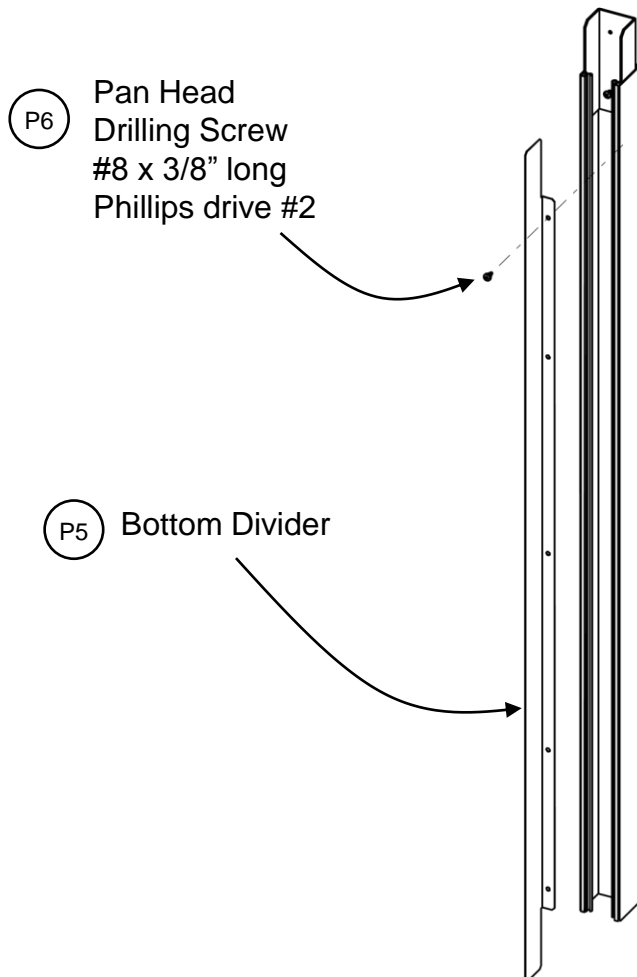


# Divi In-Line Power Pole Installation Instructions - 4 Way

**Step 1:** Slide coupler into the bottom power pole shell as shown and secure using (2) #8-32 x 5/16" screws.

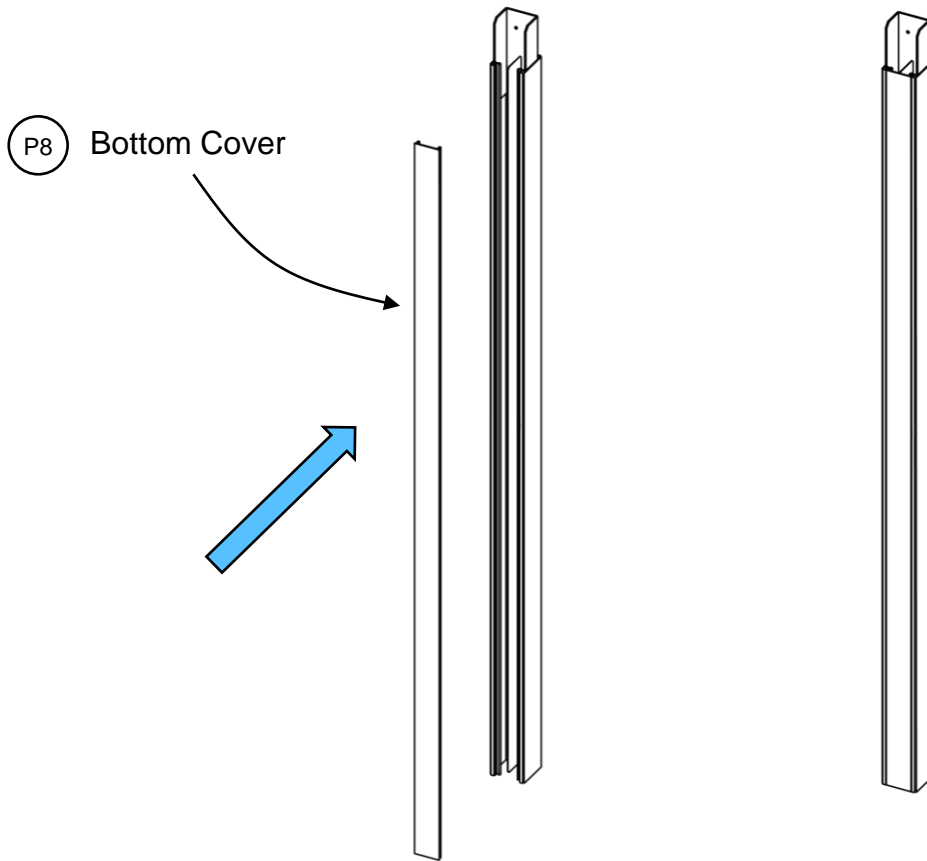


**Step 2:** Install the power pole divider inside the power pole shell using (2) #8 x 3/8" pan head drilling screws.

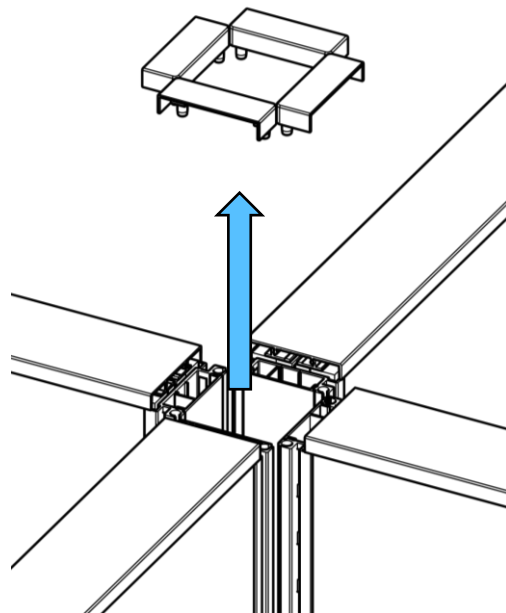


# Divi In-Line Power Pole Installation Instructions - 4 Way

**Step 3:** Snap power pole cover onto the power pole.

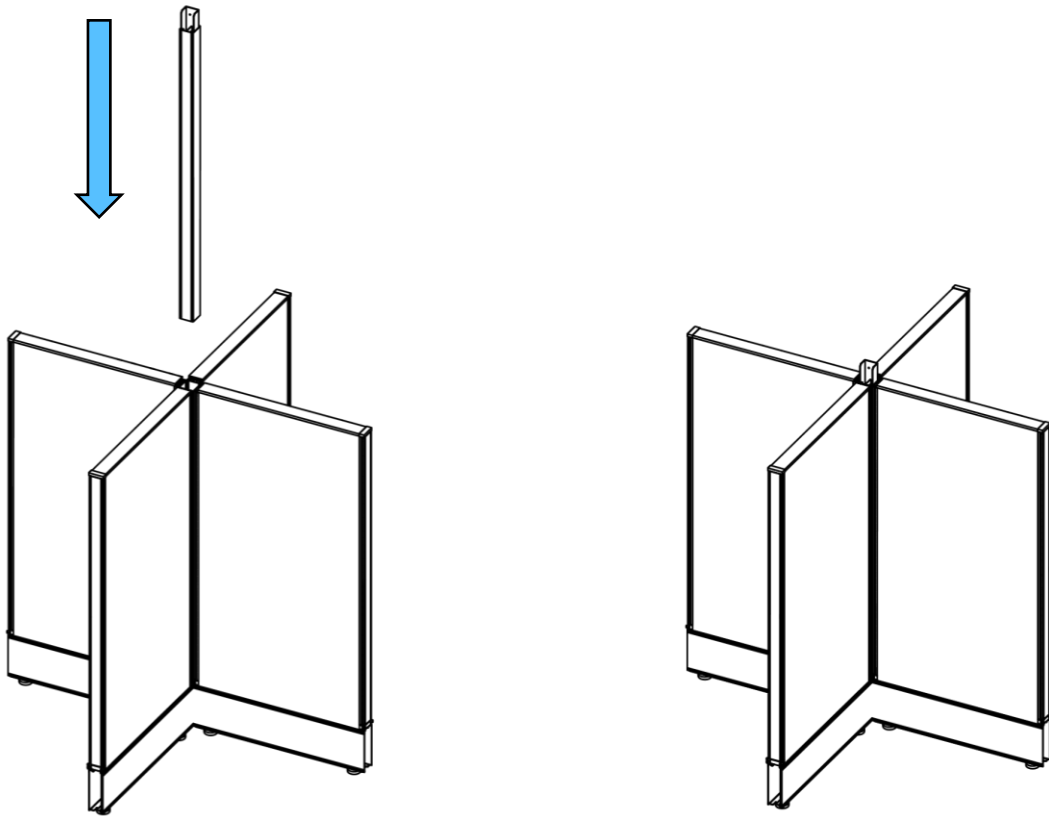


**Step 4:** Remove top caps from 4-way panels.

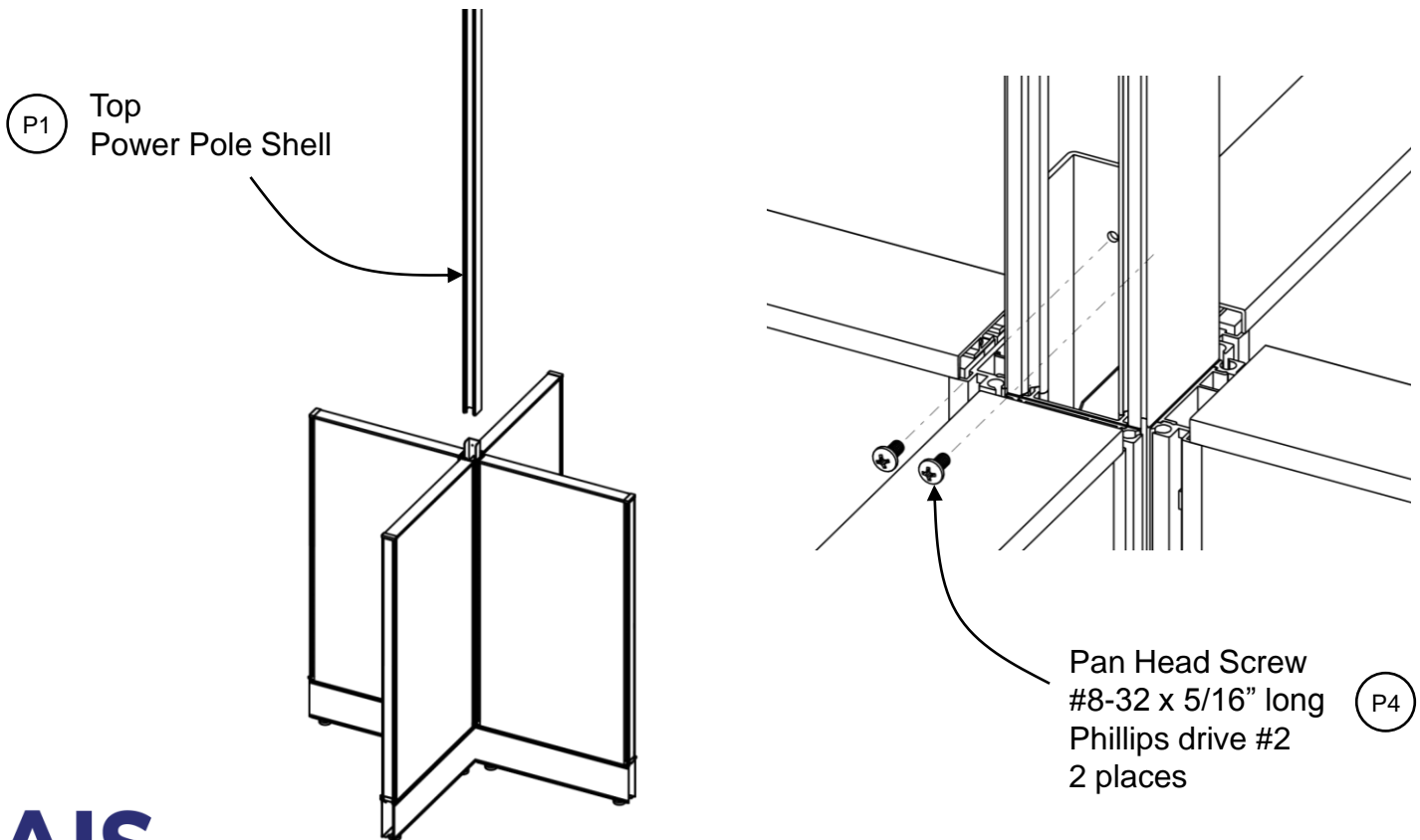


# Divi In-Line Power Pole Installation Instructions - 4 Way

**Step 5:** Slide power pole into the 4-way channel.

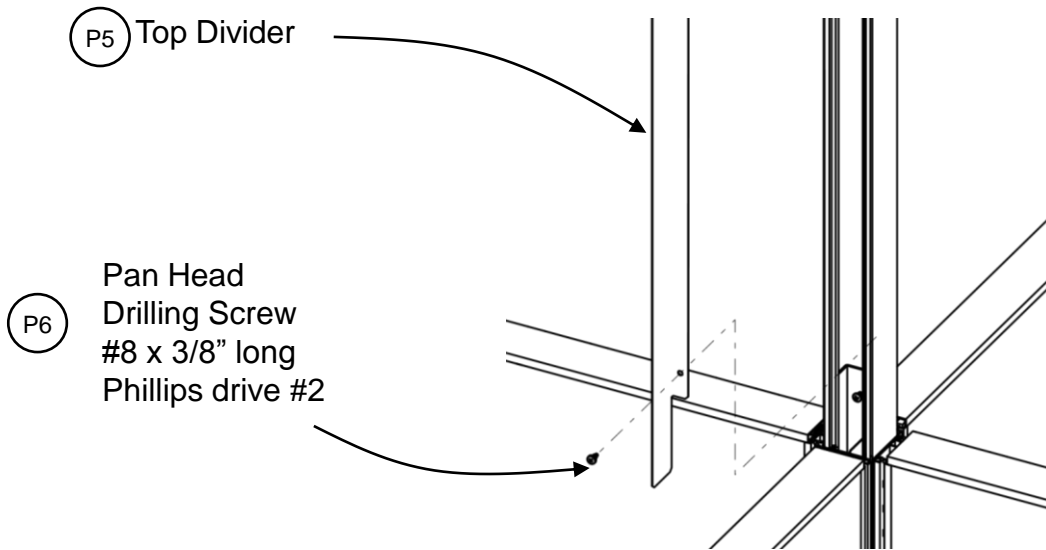


**Step 6:** Slide the top power pole shell over the coupler and secure using (2) #8-32 x 5/16" screws.

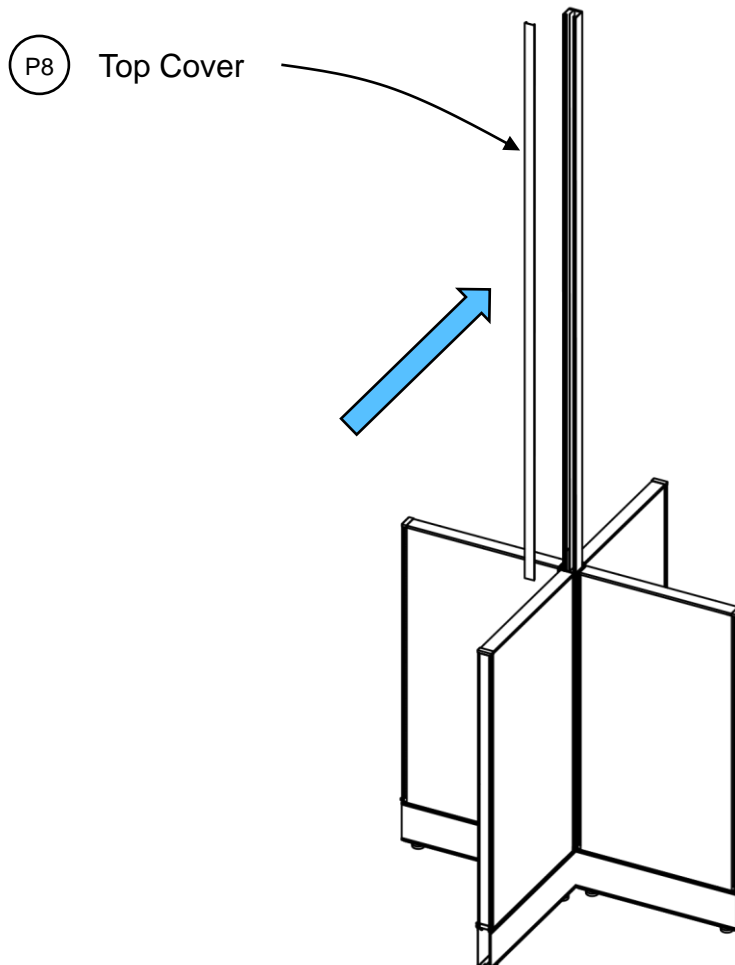


# Divi In-Line Power Pole Installation Instructions - 4 Way

**Step 7:** Install top power pole divider inside the power pole shell using (2) #8 x 3/8" pan head drilling screws.

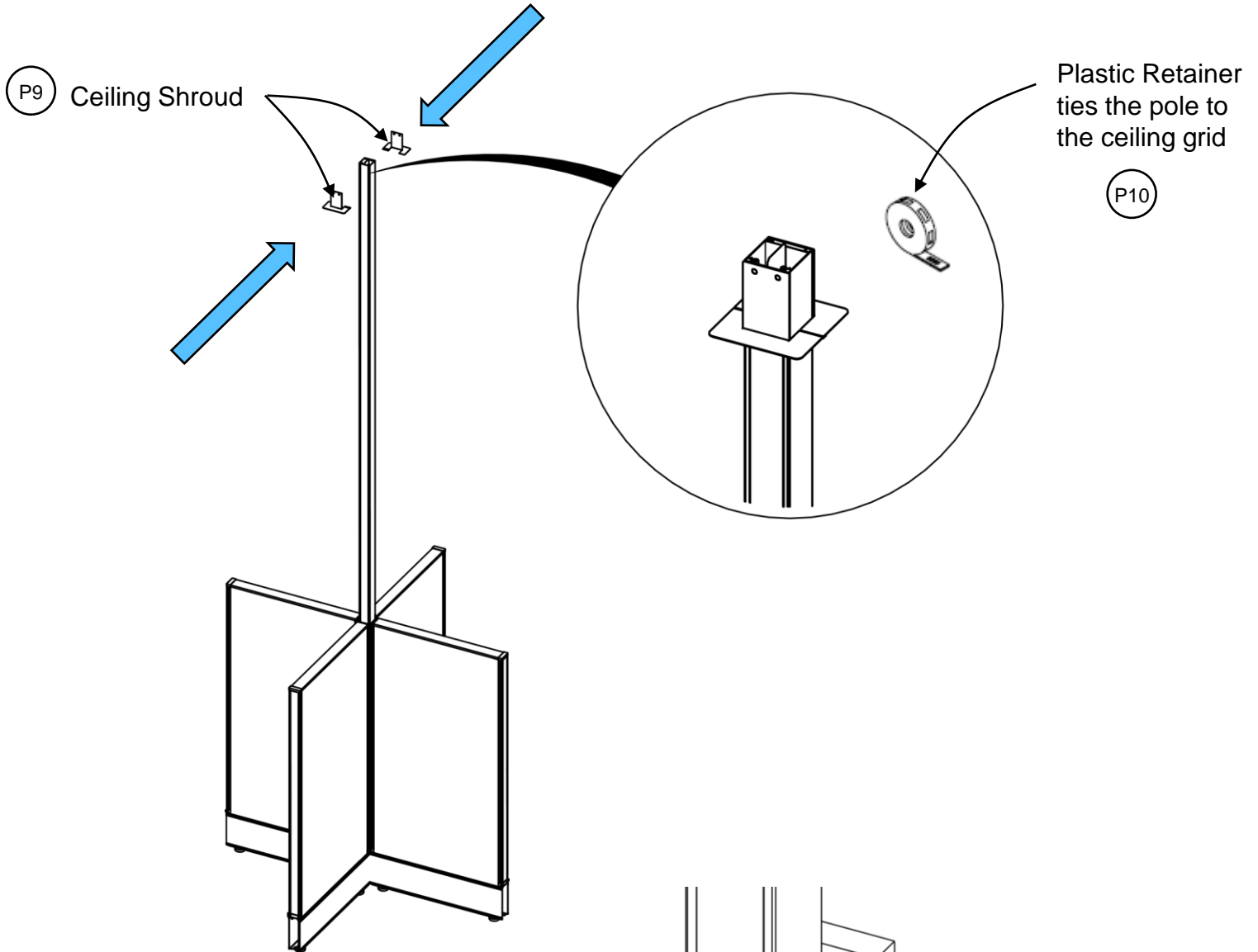


**Step 8:** Snap the top power pole cover onto the power pole.



# Divi In-Line Power Pole Installation Instructions - 4 Way

**Step 9:** Install ceiling shrouds.



**Step 10:** Re-install top caps.

