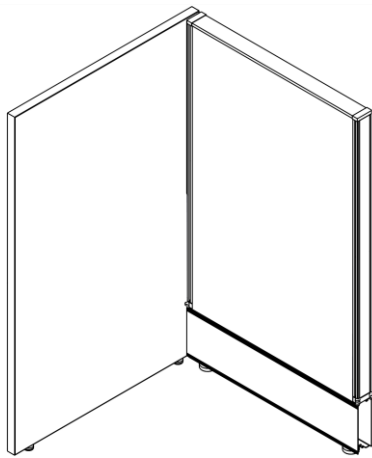
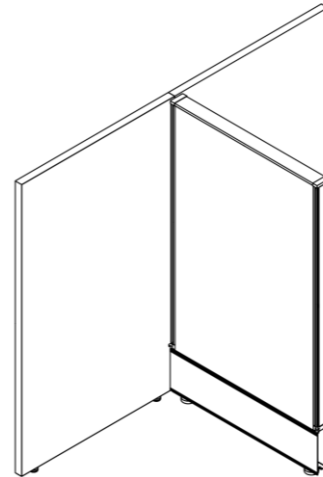


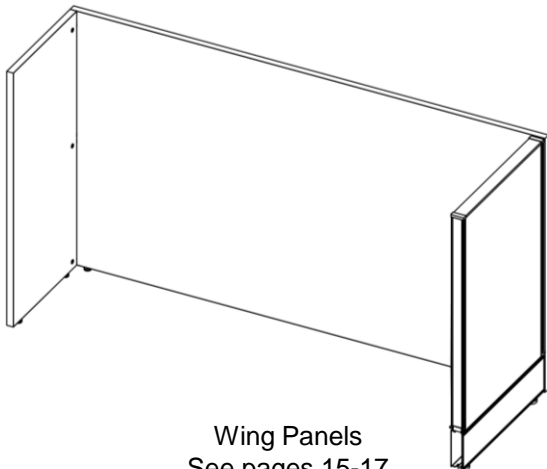
Date	Page No.	Description of change	Name
8/31/2020	1-7	Released	S. Powers
9/22/2020	3,5	Pg 3: Updated foam tape to be one side of frame only Pg 5: Added wall mounting bracket.	S. Powers
10/7/2021	1-19	Re-design	S. Powers
03/22/2024	4,9	Added views for location of top mounting bracket	S. Powers
06/04/2024	4,10 7	Added note to discard covers Added 58"H hinge quantities	S. Powers
04/04/2025	17	Added note that Cam Covers are not included.	P. Day



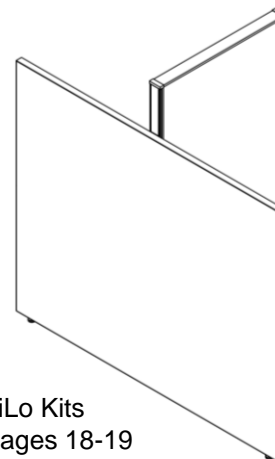
Single or Double End – One Piece Gallery Panels (single shown)  
Single or Double Spine – One Piece Gallery Panels  
See pages 4-8



Mid-Mount End – Two Piece Gallery Panels (shown)  
Mid-Mount Spine – Two Piece Gallery Panels  
See pages 9-14



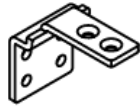
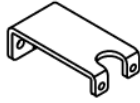

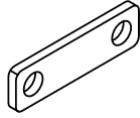


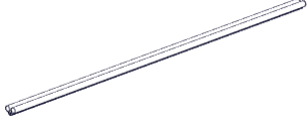


Wing Panels  
See pages 15-17



HiLo Kits  
See pages 18-19





# Divi Gallery Panel Installation

# Parts List

Item	Replacement Part number	Circle Sheet Part Number	Description	Image
P1	P-VSGPTBK	RP-VSGPTBK	Top Mounting Bracket	
P2	P-VSGPBB	RP-VSGPBB	Bottom Mounting Bracket	
P3	RH-SMBMTP17834I	RH-SMBMTP17834	#8 X 3/4" Truss Head Screw	
P4	P-VSGPBFP	RP-VSGPBFP	Bottom Flat Plate	
P5	RH-90272A240	RH-90272A240	#10-24 X 3/8" Pan Head Screw	
P6	RH-01023068-S	RH-01023068-I	#8 X 1 1/4" Flat Head Wood Screw	
P7	RP-VSHxx xx = 13 (13" long) xx = 21 (21" long) xx = 37 (37" long)	RP-VSHxx xx = 13 (13" long) xx = 21 (21" long) xx = 37 (37" long)	Hinge	
P8	P-VSGPMP	RP-VSGPMP	Gallery Panel Middle Plate	
P9	RH-8694K117	RH-8694K117	Foam Tape	
P10	RH-DU325-I	RH-DU325	Anchor Pin	

# Divi Gallery Panel Installation

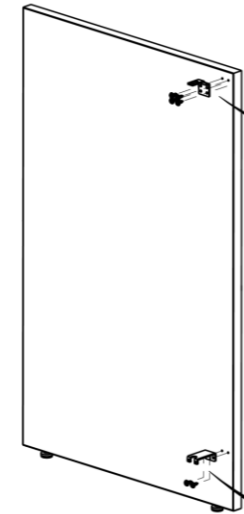
# Parts List

Item	Replacement Part number	Circle Sheet Part Number	Description	Image
P11	RH-9056601-I	RH-9056601-I	Cam Bushing	
P12	RP-VSGPTBHILO	RP-VSGPTBHILO	HiLo Bracket	
P13	RH-94195A180	RH-94195A180	#10 x 1 1/2" Screw	
P14	RP-VSHFCLHLxx	RP-VSHFCLHLxx	HiLo Cover	

**Single or Double End – One Piece Gallery Panels (single end shown)  
Single or Double Spine – One Piece Gallery Panels**

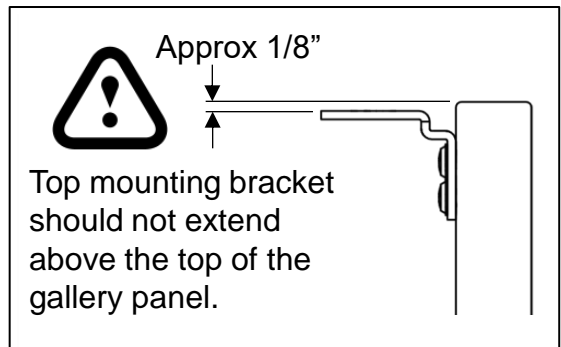
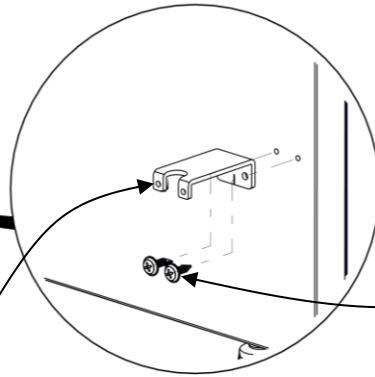
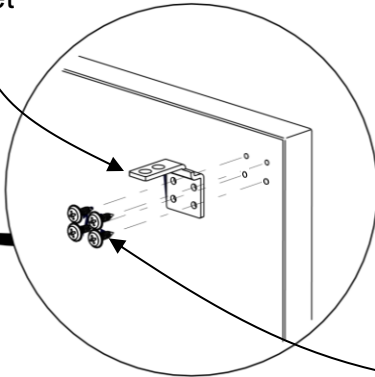
**Step 1:** Install the top and bottom mounting brackets to the gallery panel using #8 x 3/4" screws

P1 Top Mounting Bracket



P2

Bottom Mounting Bracket



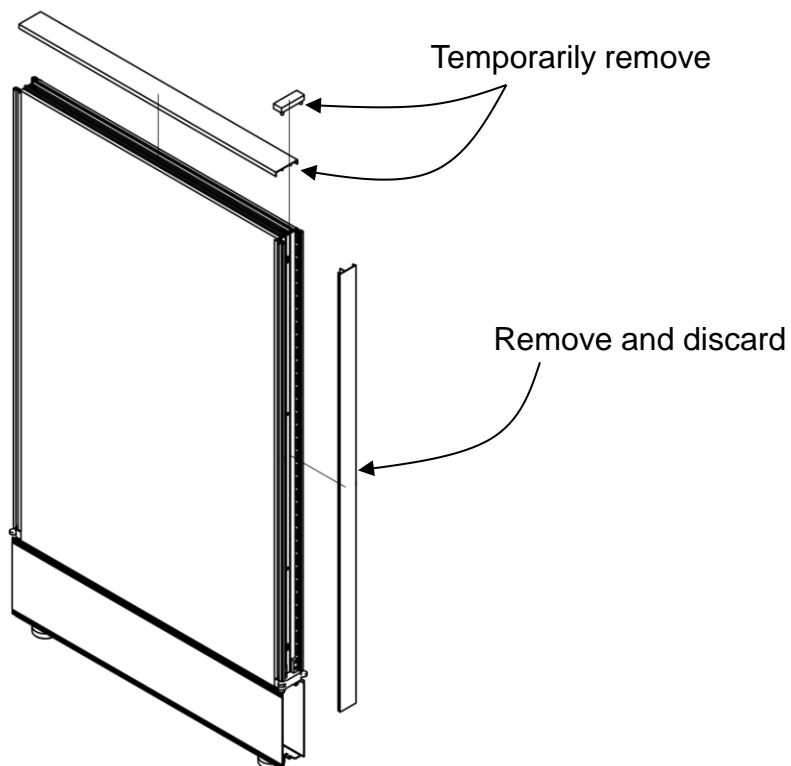
#8 x 3/4" long  
Truss head screw  
#2 phillips drive  
4 places

P3

#8 x 3/4" long  
Truss head screw  
#2 phillips drive  
2 places

P3

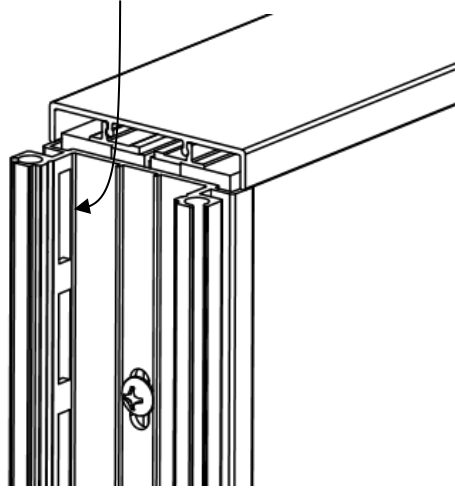
**Step 2:** Remove top cap, end top caps and cover from the Divi hanger frame.



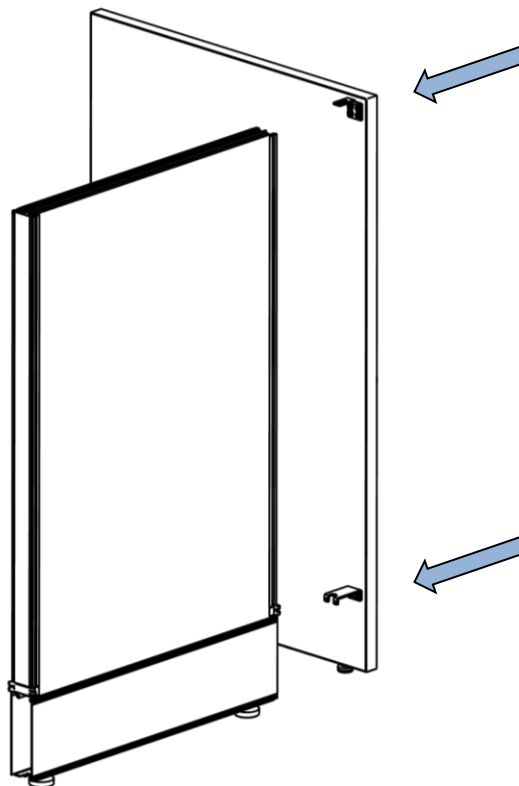
**Single or Double End – One Piece Gallery Panels (single end shown)  
Single or Double Spine – One Piece Gallery Panels**

**Step 3:** Apply foam tape to the inside Divi hanger frame channel, covering the rectangular cut-outs.

P9 Apply foam tape along the entire length of one side of the Divi frame, covering all rectangular holes on one side.

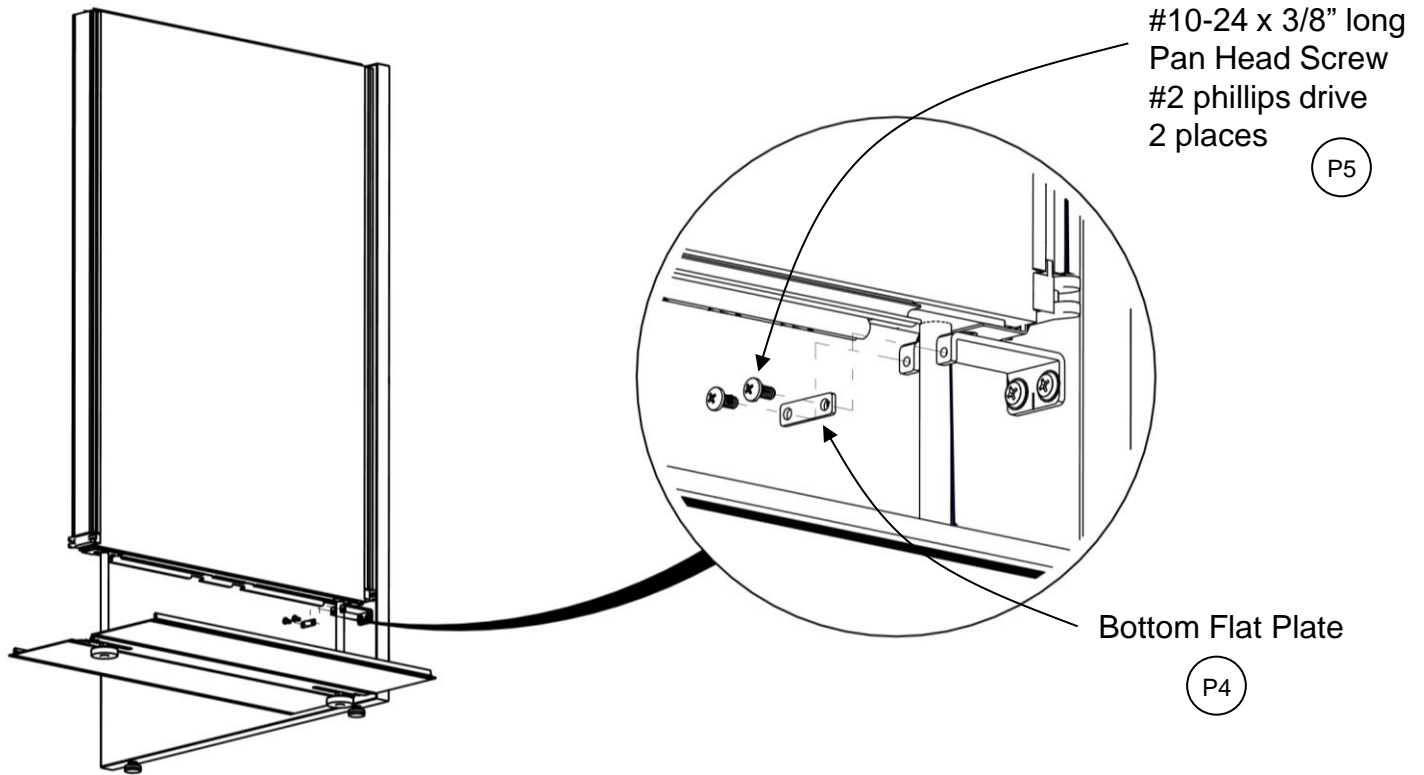


**Step 4:** Align the gallery panel to the Divi hanger frame.

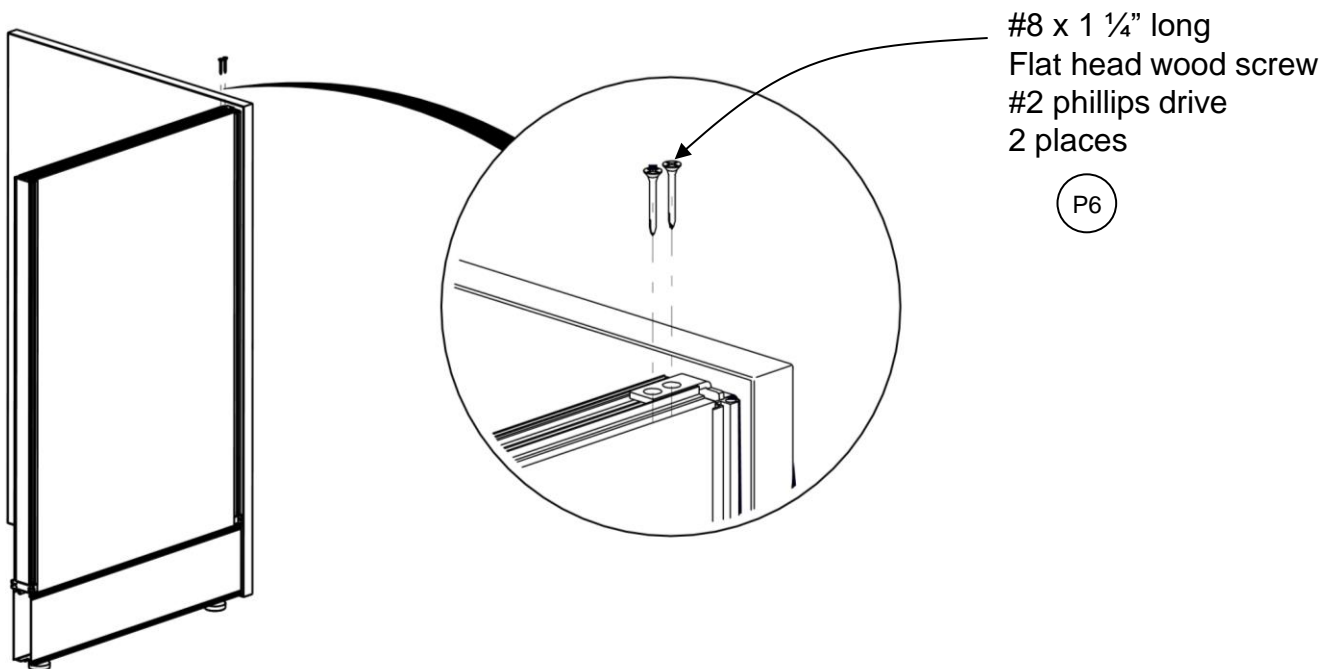


Single or Double End – One Piece Gallery Panels (single end shown)  
Single or Double Spine – One Piece Gallery Panels

**Step 5:** Secure the bottom mounting bracket to the divi panel glide.



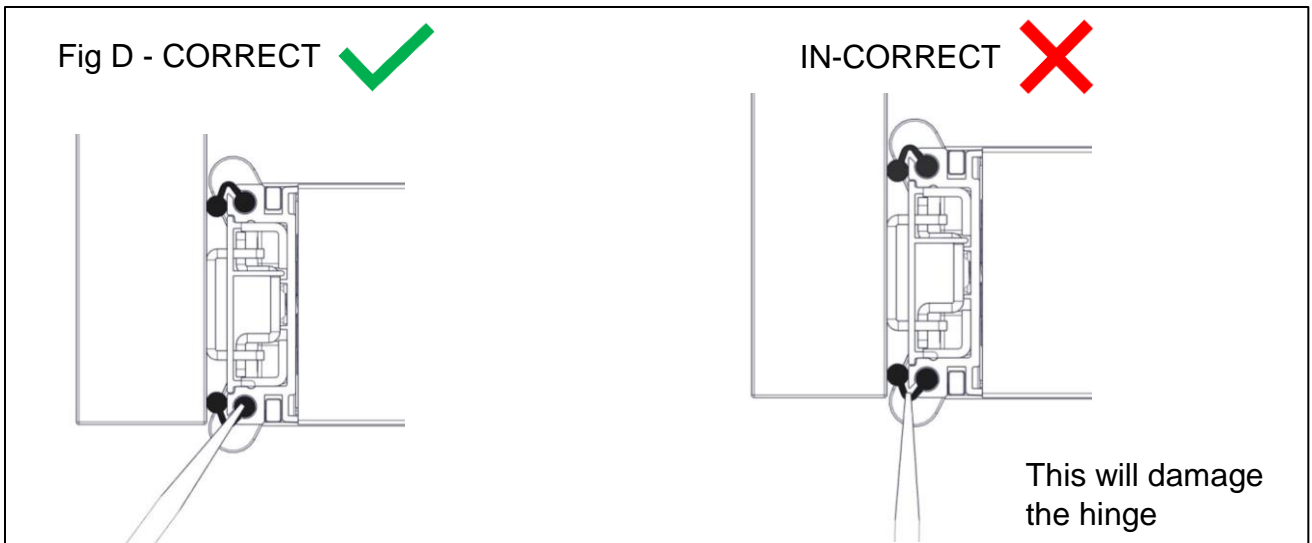
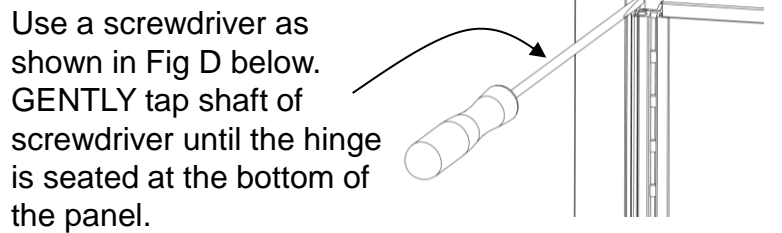
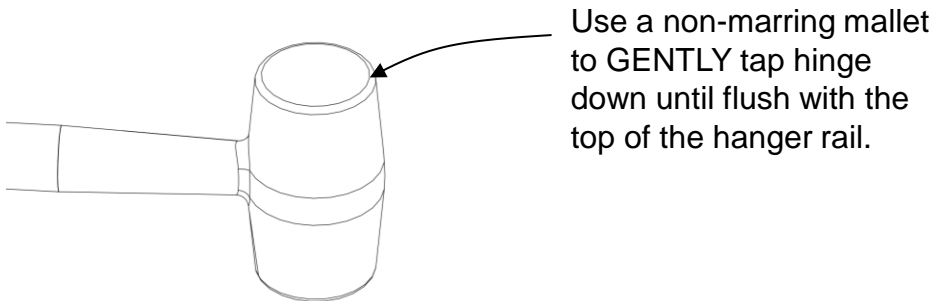
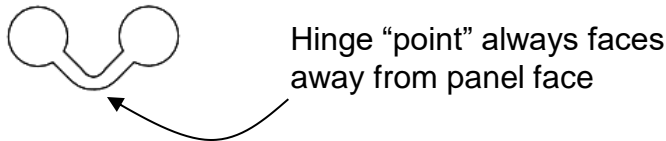
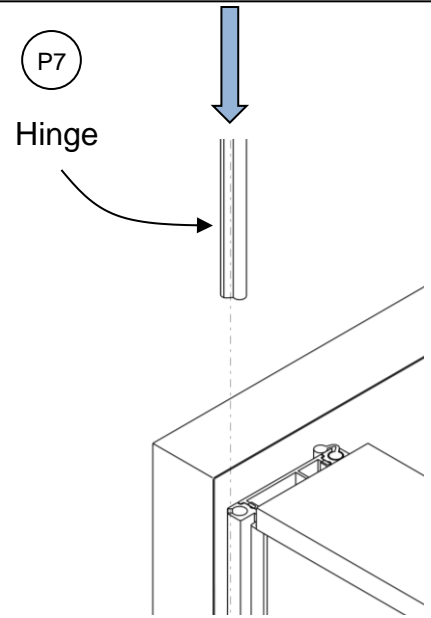
**Step 6:** Secure the top mounting bracket to the Divi panel using #8 wood screws .



**Single or Double End – One Piece Gallery Panels (single end shown)  
Single or Double Spine – One Piece Gallery Panels**

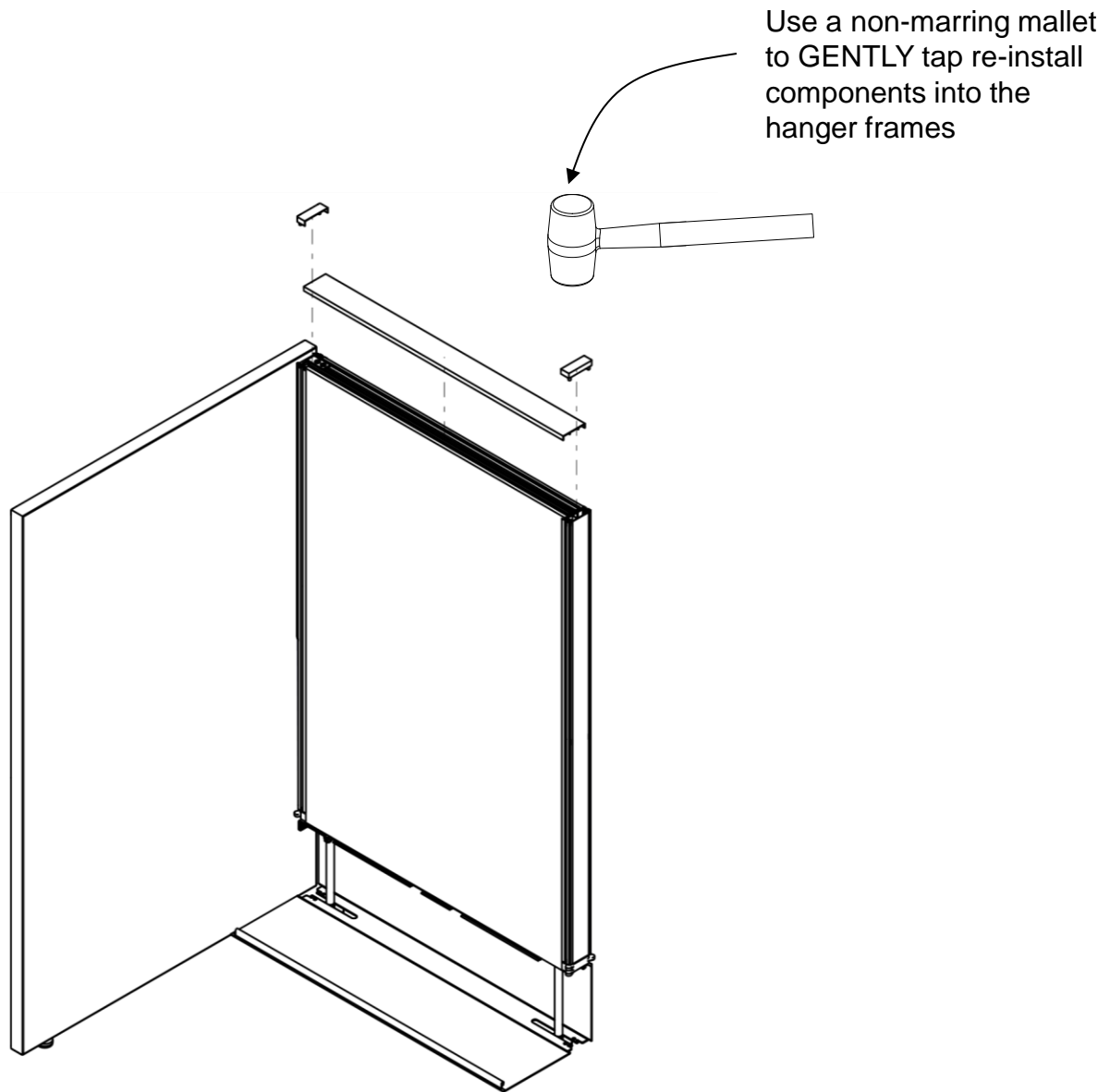
**Step 7: Install Hinges.** See chart below for length and quantity requirements. (Note: Always start with the shortest hinge)

PANEL HEIGHT	HINGE LENGTH AND NUMBER OF HINGE SEGMENTS REQUIRED PER PANEL HEIGHT (NOTE: QUANTITIES FOR EACH SIDE OF PANEL)				
	12 3/4"	20 3/4"	29 3/4"	36 3/4"	52 3/4"
42"	1	1			
50"		2			
58"		1	1		
66"		1		1	
82"		1			1



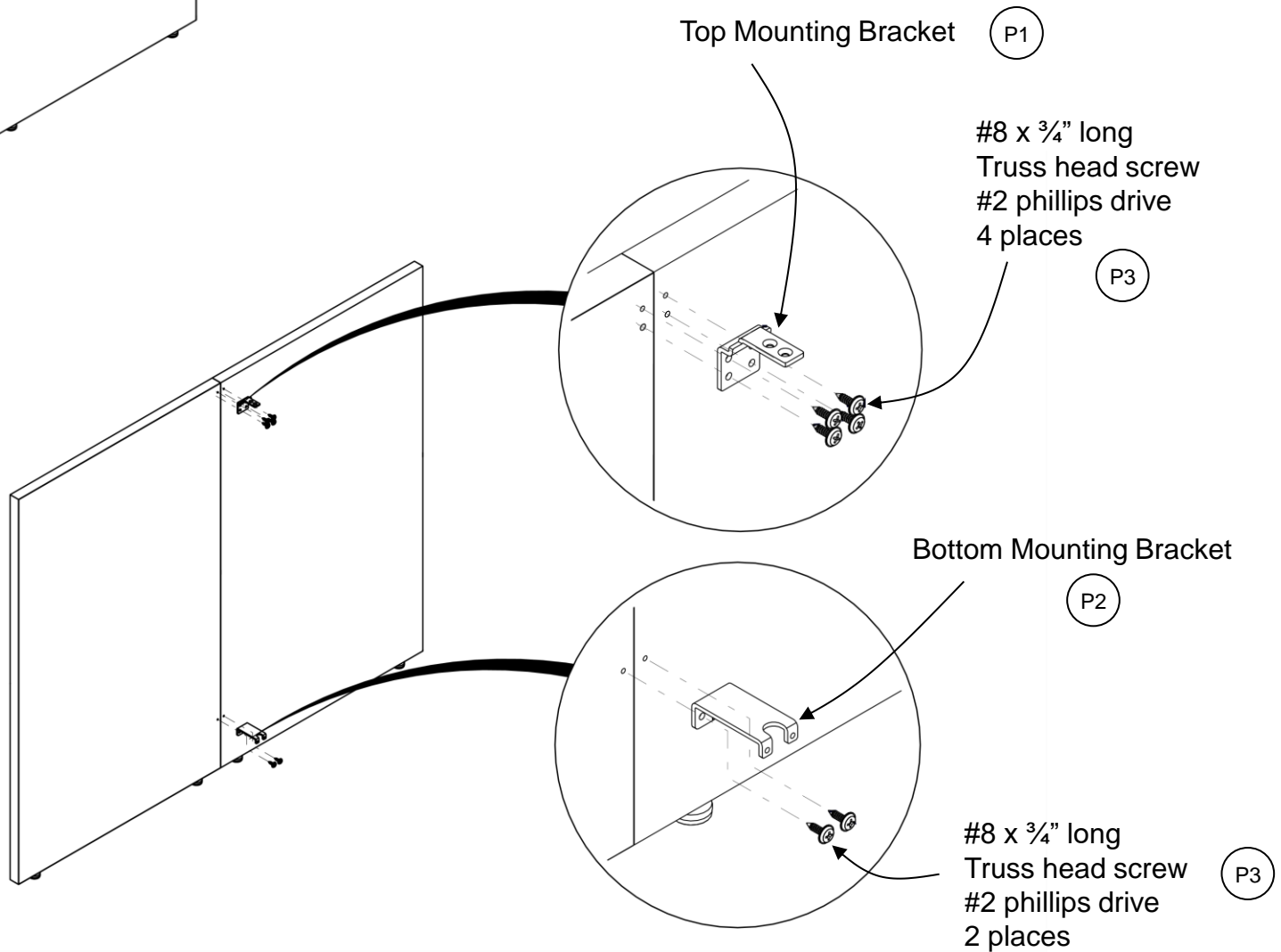
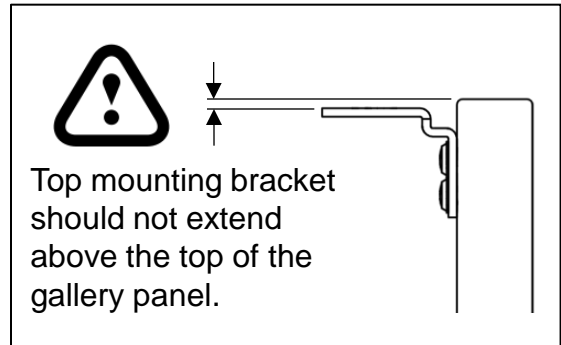
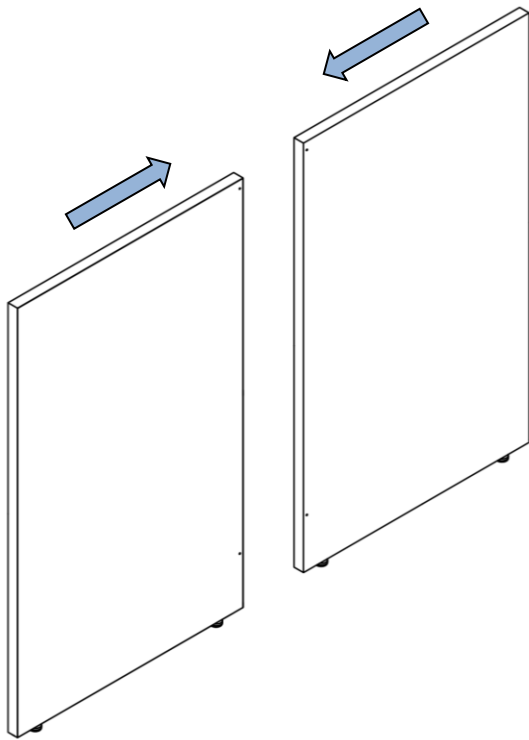
**Single or Double End – One Piece Gallery Panels (single end shown)  
Single or Double Spine – One Piece Gallery Panels**

**Step 8:** Re-install topcap end top caps.



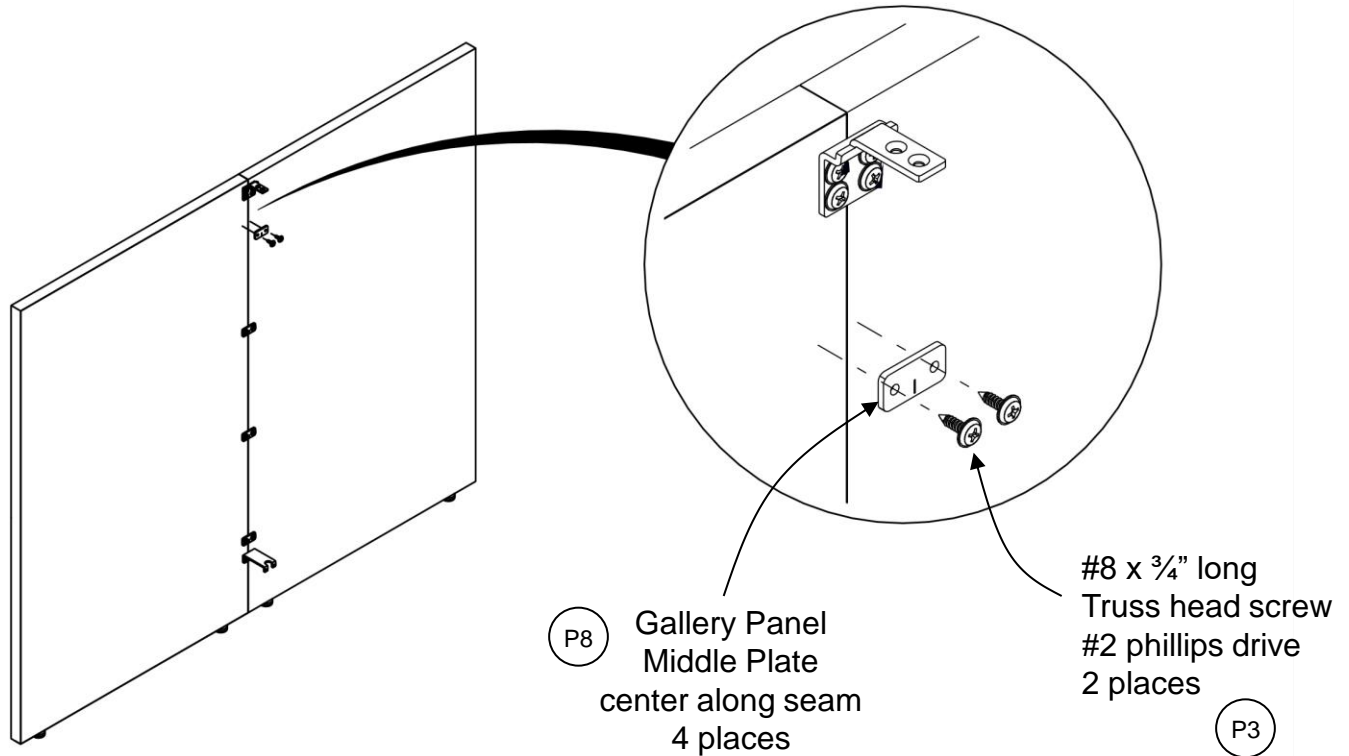
**Mid-Mount End – Two Piece Gallery Panels (shown)  
Mid-Mount Spine – Two Piece Gallery Panels**

**Step 1:** Align adjacent gallery panels and secure together using the top and bottom mounting brackets.

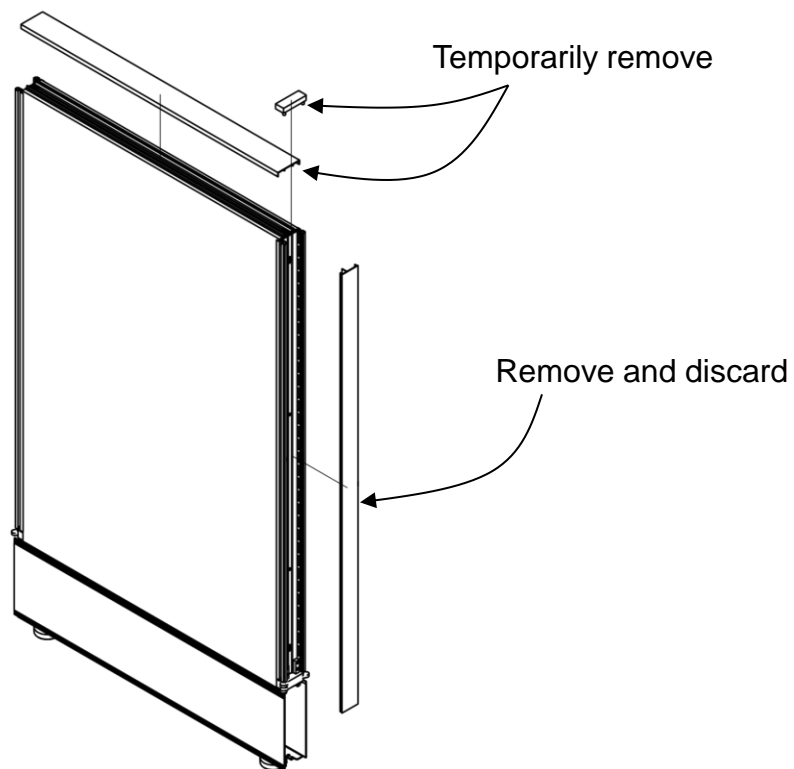


**Mid-Mount End – Two Piece Gallery Panels (shown)  
Mid-Mount Spine – Two Piece Gallery Panels**

**Step 2:** Install the middle plates at the gallery panel seam.



**Step 3:** Remove top cap, end top caps and cover from the Divi hanger frame.

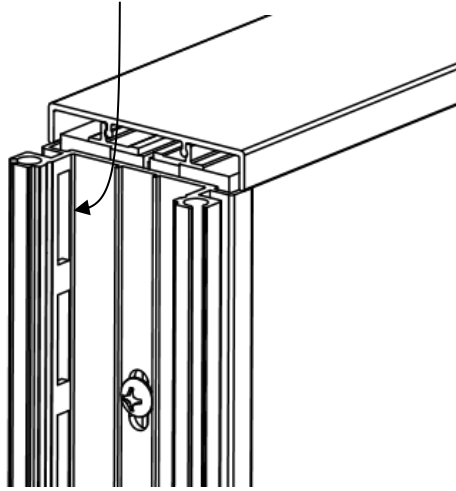


**Mid-Mount End – Two Piece Gallery Panels (shown)  
Mid-Mount Spine – Two Piece Gallery Panels**

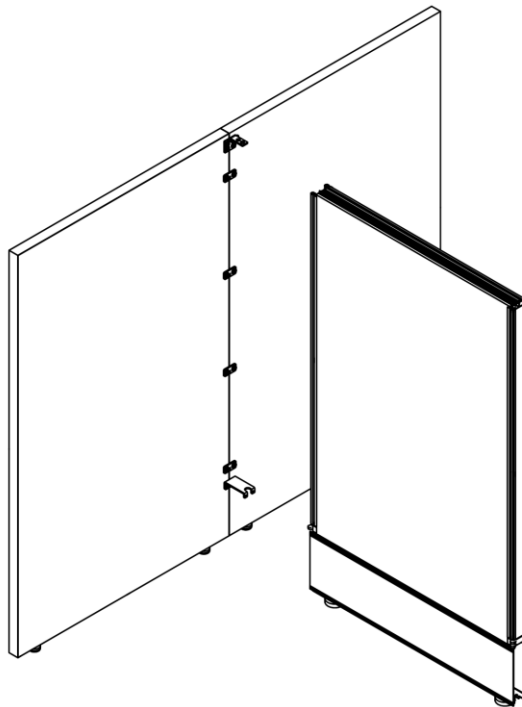
**Step 4:** Apply foam tape to the inside Divi hanger frame channel, covering the rectangular cut-outs.

P9

Apply foam tape along the entire length of one side of the Divi frame, covering all rectangular holes on one side.

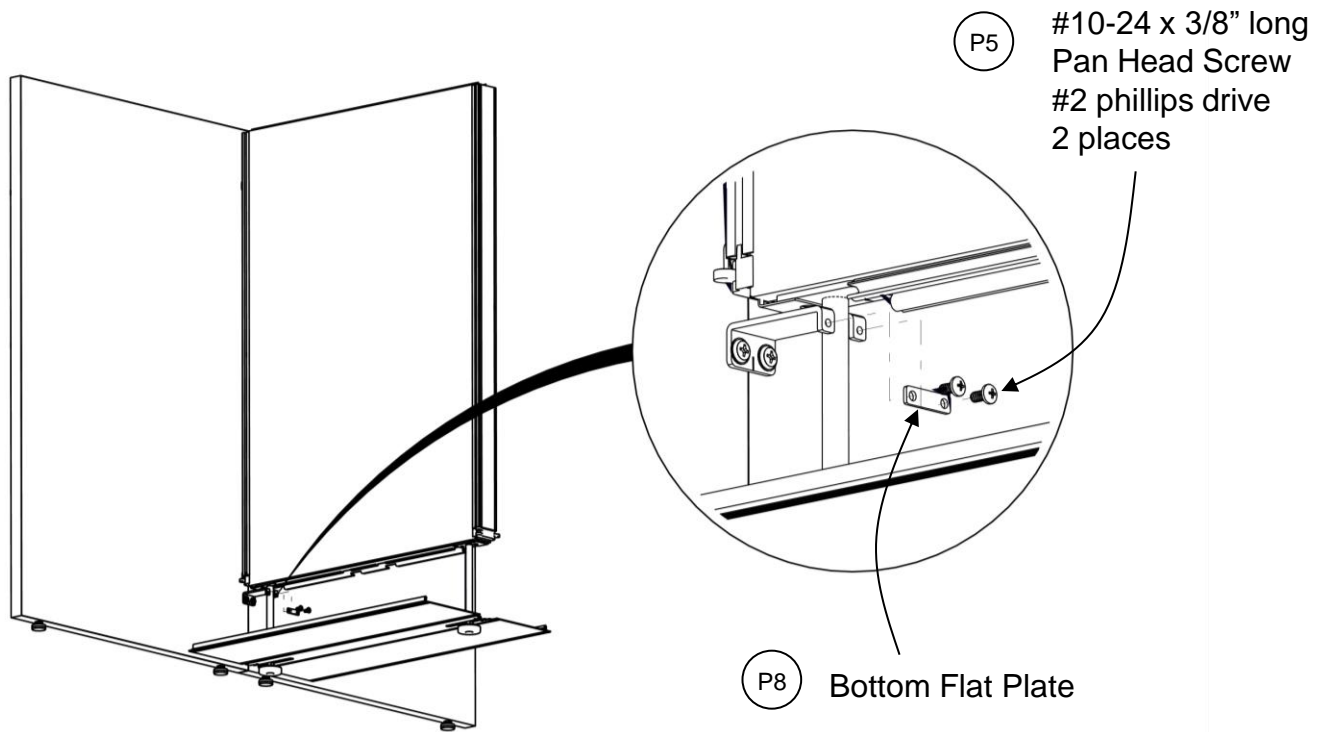


**Step 5:** Align the gallery panel to the Divi hanger frame.

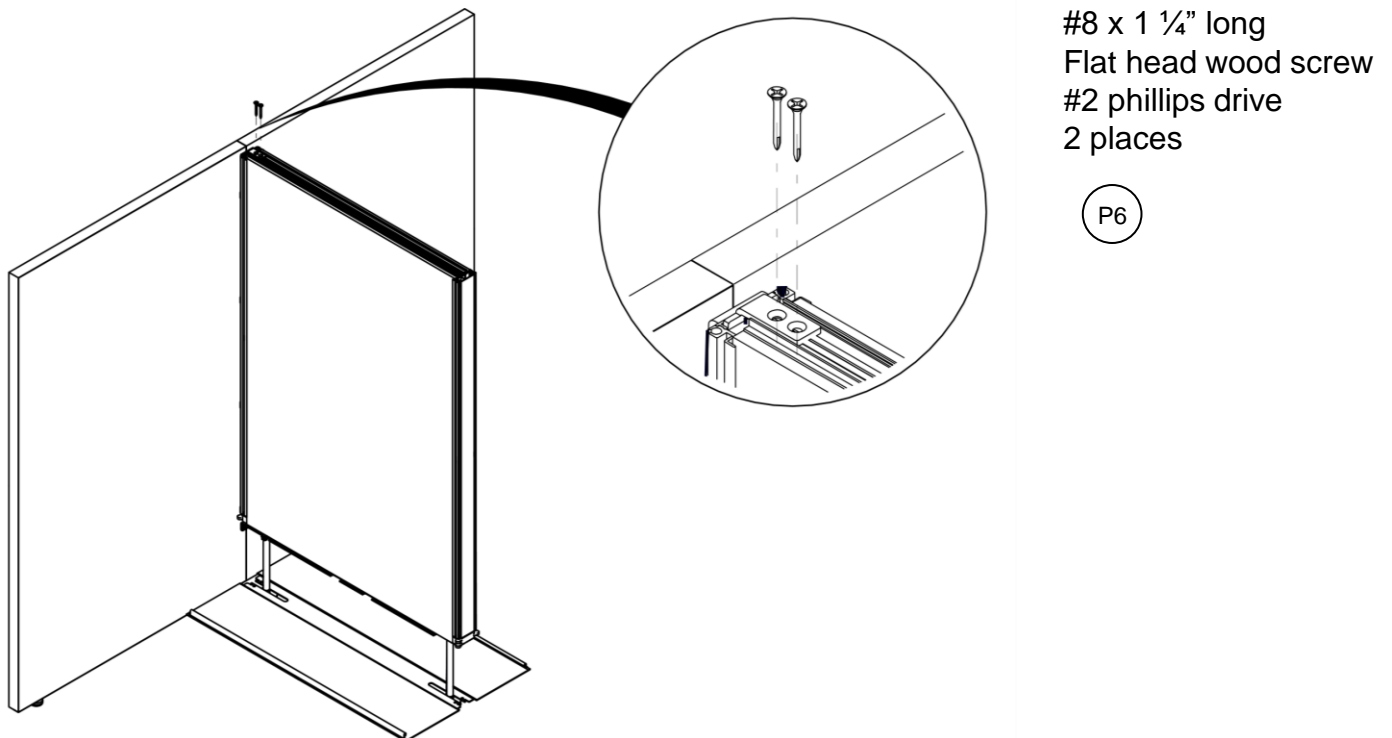


**Mid-Mount End – Two Piece Gallery Panels (shown)  
Mid-Mount Spine – Two Piece Gallery Panels**

**Step 6:** Secure the bottom mounting bracket to the divi panel glide.



**Step 7:** Secure the top mounting bracket to the Divi panel using #8 wood screws .



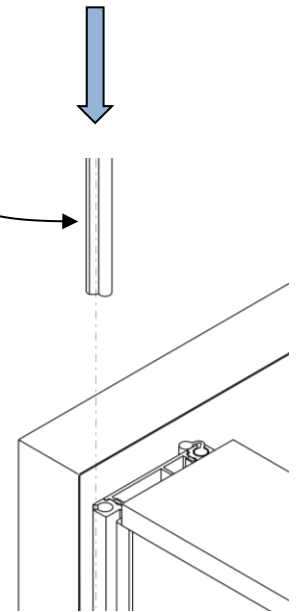
**Mid-Mount End – Two Piece Gallery Panels (shown)  
Mid-Mount Spine – Two Piece Gallery Panels**

**Step 8:** Install Hinges. See chart below for length and quantity requirements. (Note: Always start with the shortest hinge)

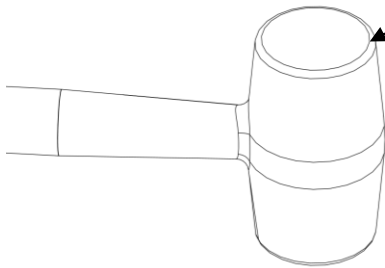
HEIGHTS	LENGTH AND NUMBER OF HINGE SEGMENTS REQUIRED PER PANEL HEIGHT			
	12 7/8	20 7/8	36 7/8	52 7/8
42" HIGH	1	1		
50" HIGH		2		
66" HIGH		1	1	
82" HIGH		1		1

(P7)

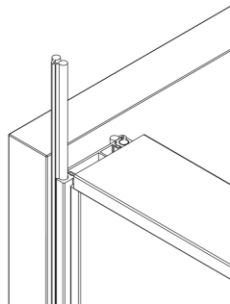
Hinge



Hinge "point" always faces away from panel face



Use a non-marring mallet to GENTLY tap hinge down until flush with the top of the hanger rail.



Use a screwdriver as shown in Fig D below. GENTLY tap shaft of screwdriver until the hinge is seated at the bottom of the panel.

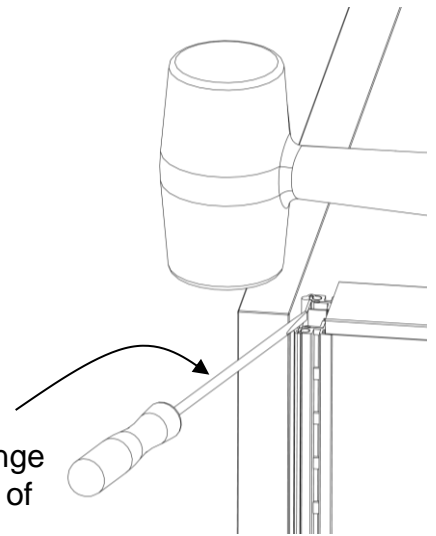
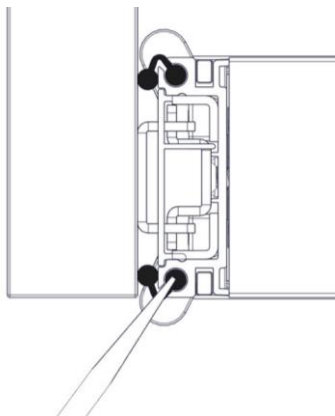
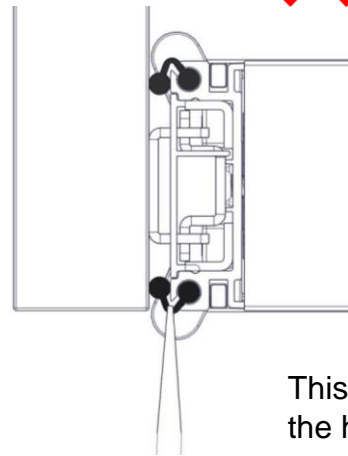


Fig D - CORRECT



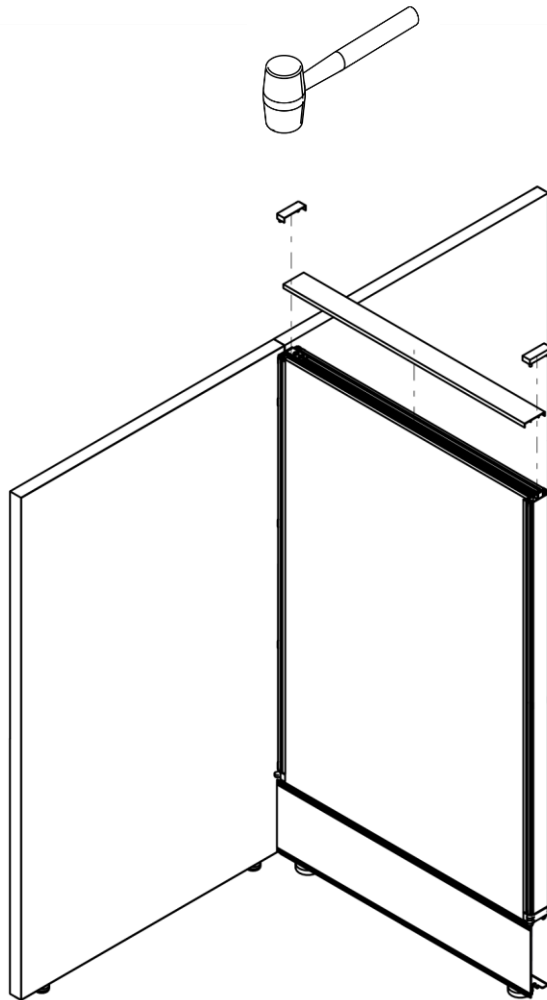
IN-CORRECT



This will damage the hinge

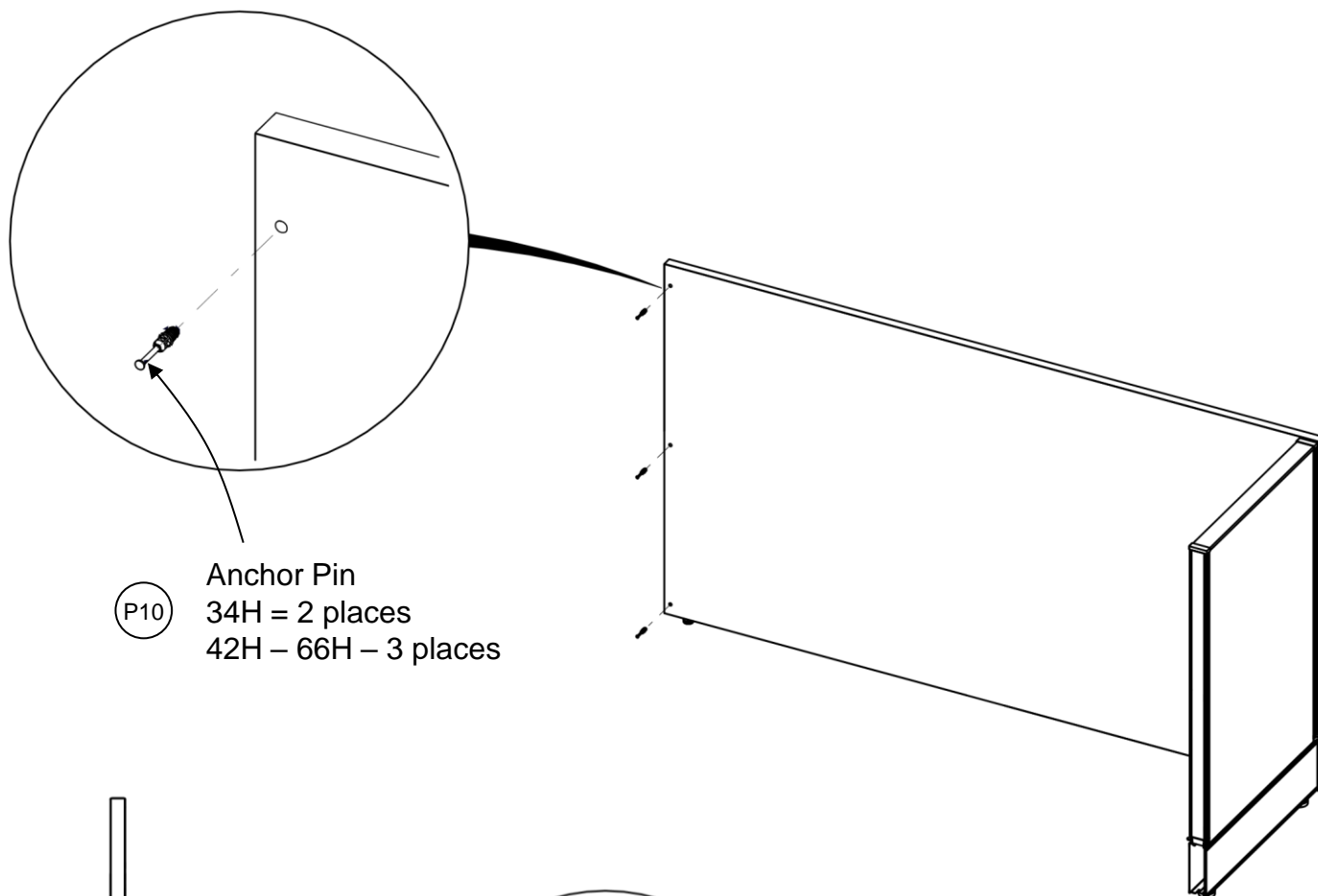
**Mid-Mount End – Two Piece Gallery Panels (shown)  
Mid-Mount Spine – Two Piece Gallery Panels**

**Step 9:** Re-install topcap end top caps.



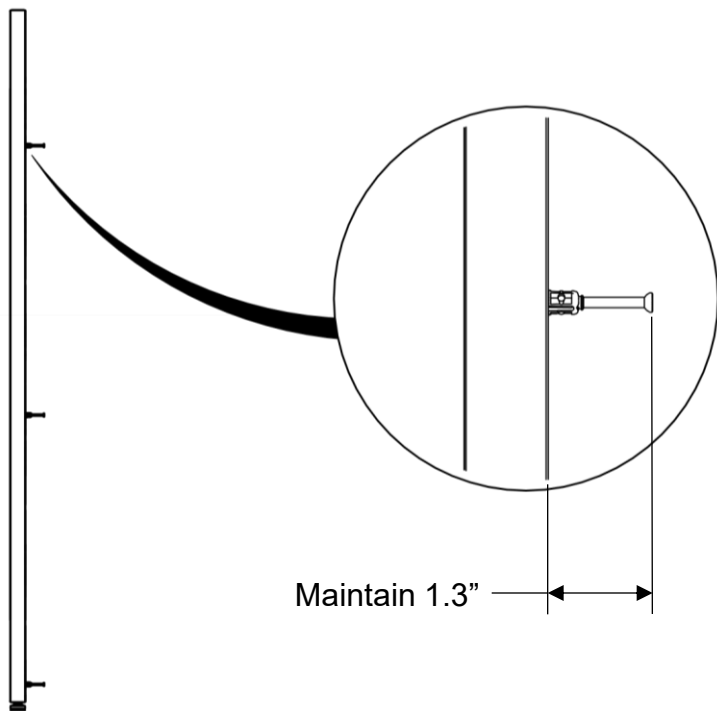
# Wing Panels

**Step 1:** Install anchor pins into the gallery panel.

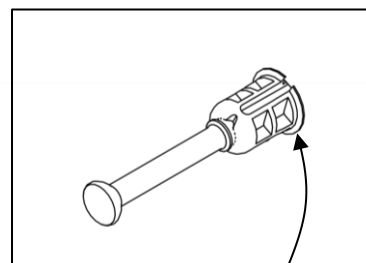


(P10)

Anchor Pin  
34H = 2 places  
42H – 66H – 3 places



Maintain 1.3"

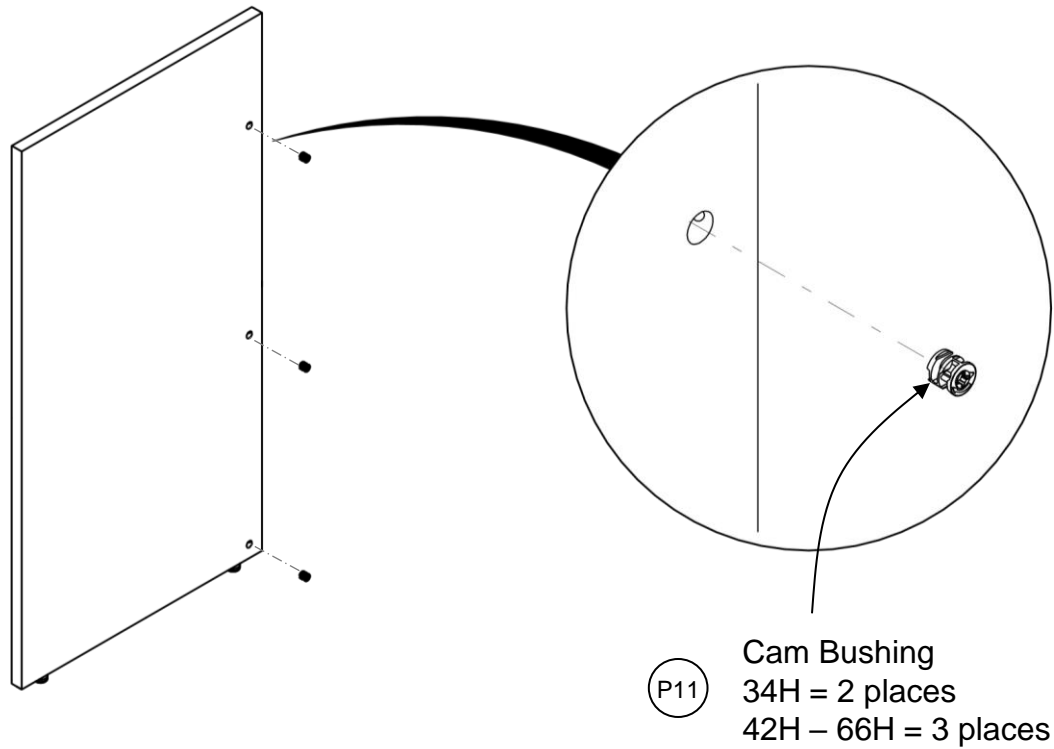


When installing anchor pins, be sure this rim remains exposed.



## Wing Panels

**Step 2:** Install cam bushings into the gallery panel holes as shown in Fig A.



Before installation  
dis-engaged cam:  
Short arrow must be  
facing the pin hole

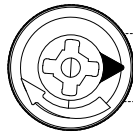
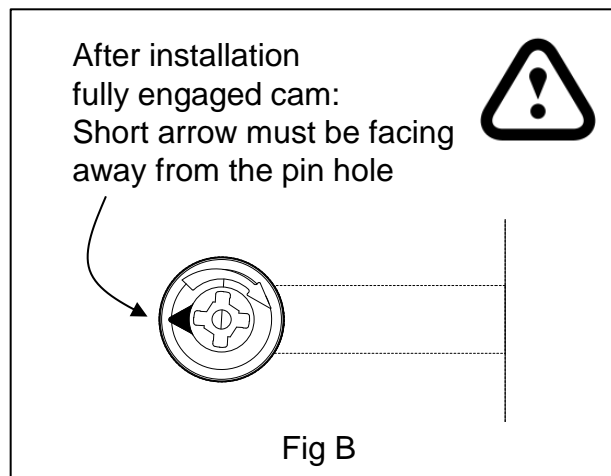
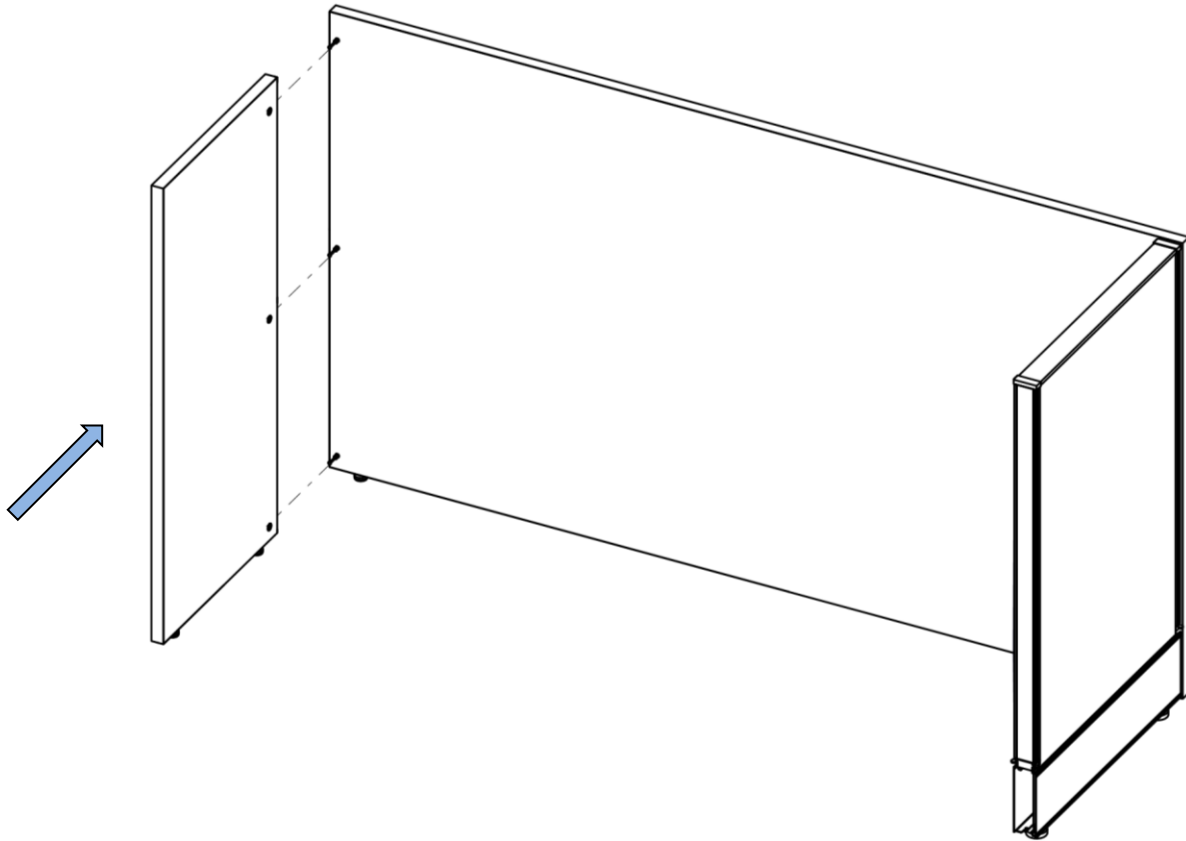


Fig A

## Wing Panels

**Step 3:** Align the wing panel to the adjacent gallery panel pins and tighten all cam bushings as shown in fig B to firmly secure wing panel in place.

Cam covers not included. Must be ordered separately.

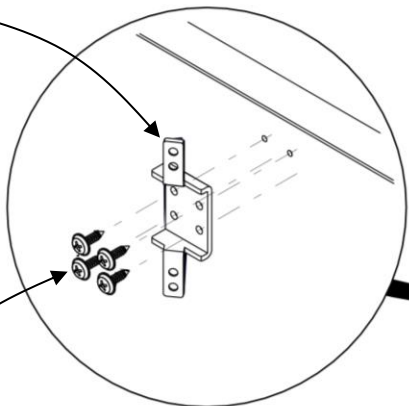


# Divi Gallery Panel HiLo Kit

**Step 1:** Install the HiLo bracket to the gallery panel using #8 x 3/4" screws

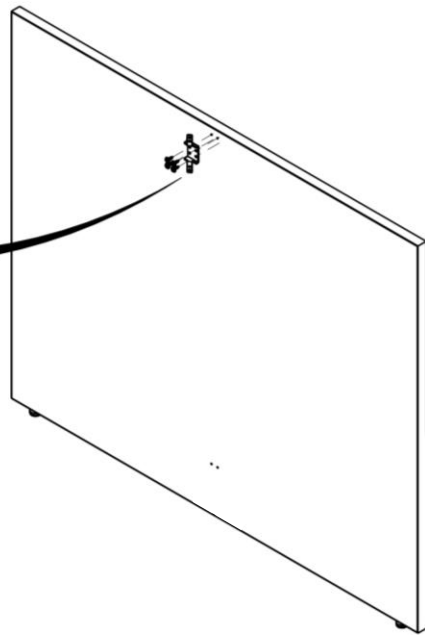
HiLo Bracket

P12

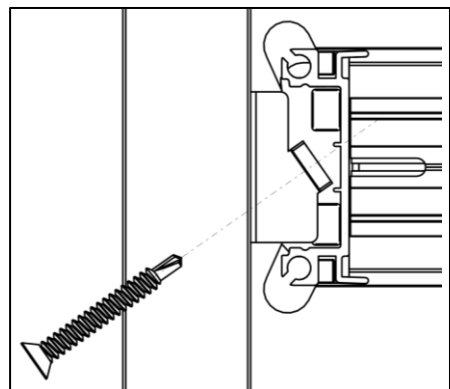
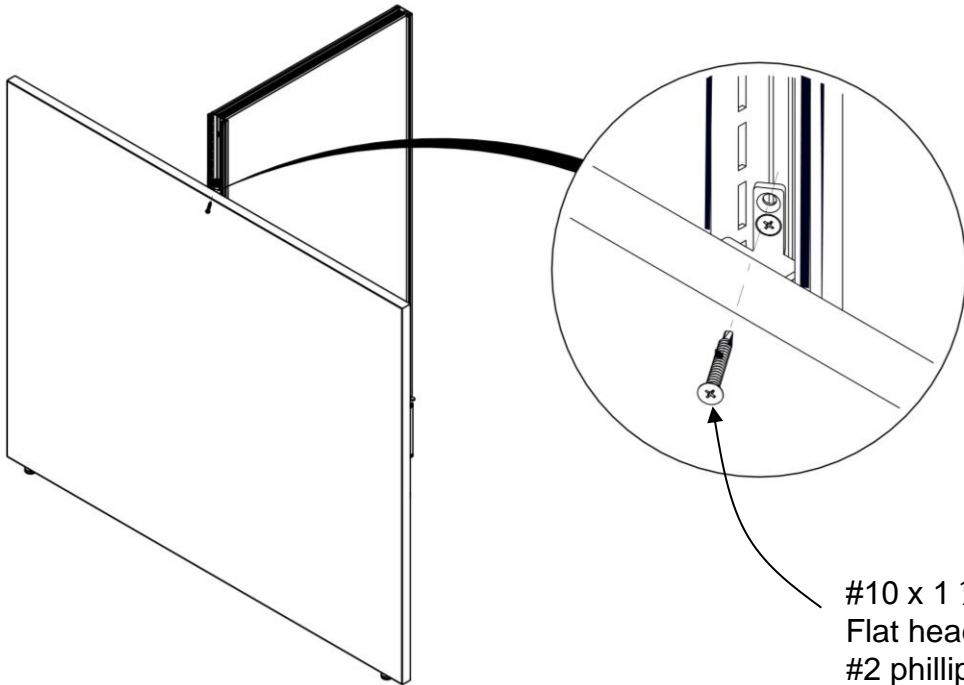


#8 x 3/4" long  
Truss head screw  
#2 phillips drive  
2 places

P3



**Step 2:** Align the Divi panel to the HiLo bracket and secure to the gallery panel using #10 x 1 1/2" screws.

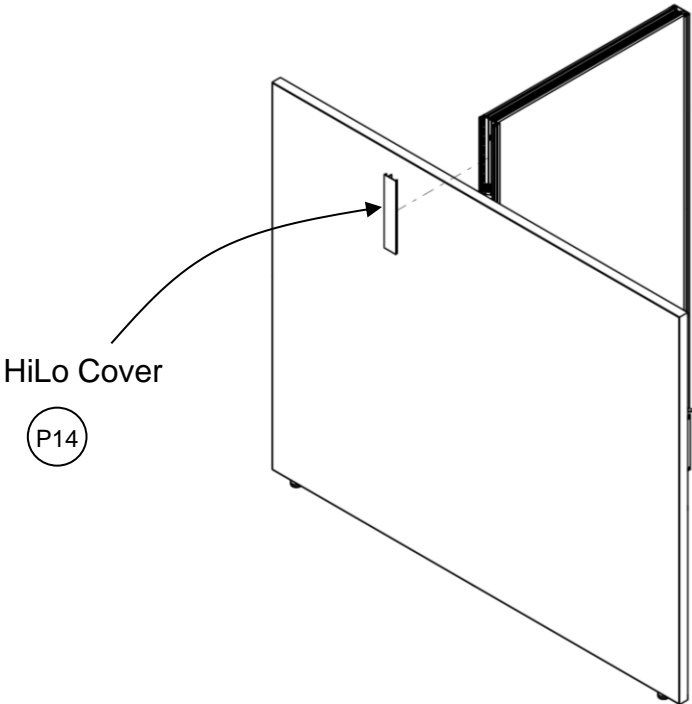


P13

#10 x 1 1/2" long  
Flat head drilling screw  
#2 phillips drive  
2 places

# Divi Gallery Panel HiLo Kit

**Step 3:** Snap the HiLo cover to the Divi panel.



**Step 4:** Re-install topcap end top caps.

