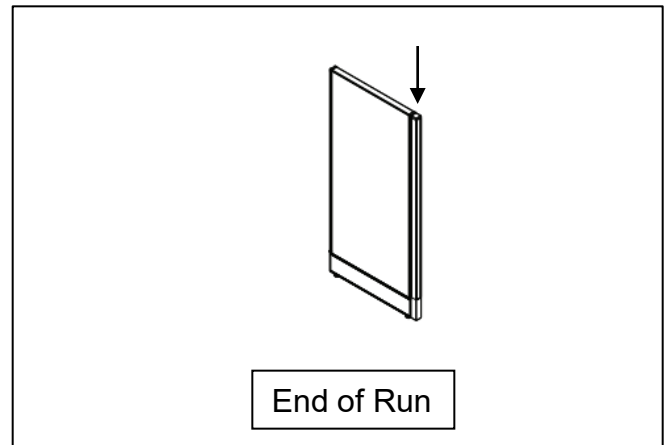
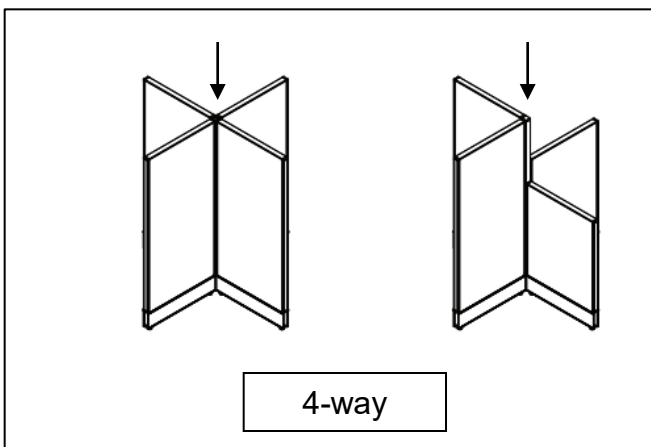
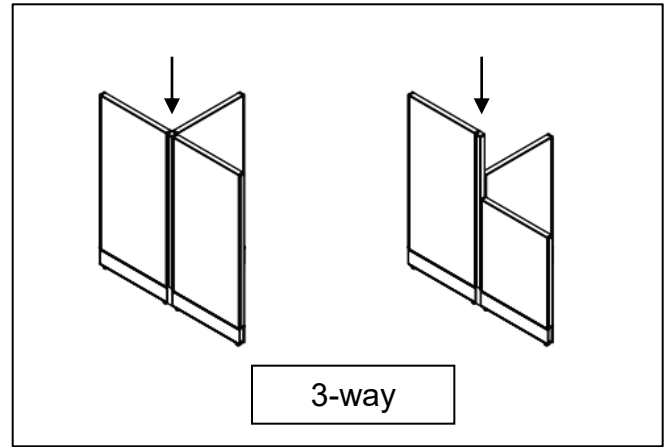
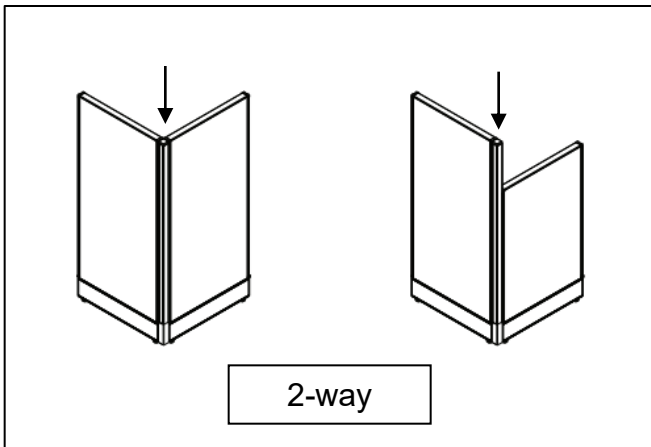





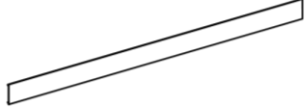
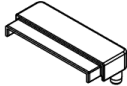
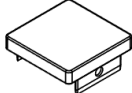


Divi Post Filler Installation Instructions

Date	Page No.	Description of change	Name
06-20-2025	1-9	Released	S. Powers



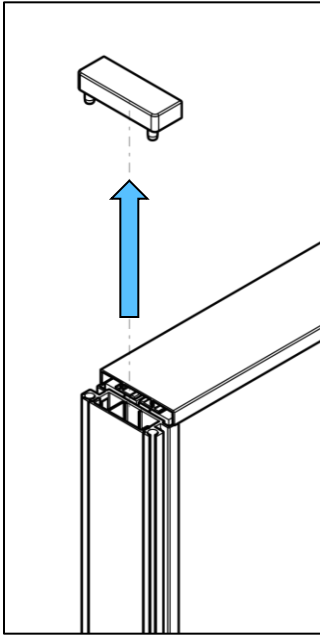
Divi Post Filler Installation Instructions

Item	Replacement Part number	Circle Sheet Part Number	Description	Image
P1	RP-VSHxx (xx = nominal in.)	RP-VSHxx (xx = nominal in.)	Hinge	
P2	P-VSPPIILxx (xx = nominal in.)	RP-VSPPIILxx (xx = nominal in.)	Post Filler Shell	
P3	P-VSEORS	RP-VSEORS	End of Run Power Pole Shroud	
P4	P-VSPPIIL2	RP-VSPPIIL2	2 Way Power Pole Shroud	
P5	RP-VS180S	RP-VS180S	3 Way Power Pole Shroud	
P6	P-VSPPIILCxx (xx = nominal in.)	RP-VSPPIILCxx (xx = nominal in.)	Post Filler Cover	
P7	P-VLECA3	RP-VLECA3	End Cap	
P8	P-VLPPILTC	RP-VLPPILTC	Post Filler Top Cap	

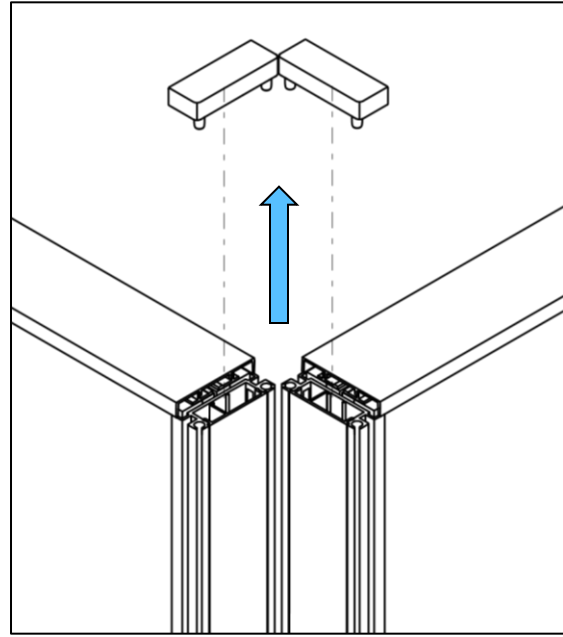
Divi Post Filler Installation Instructions

Step 1: Remove endcaps.

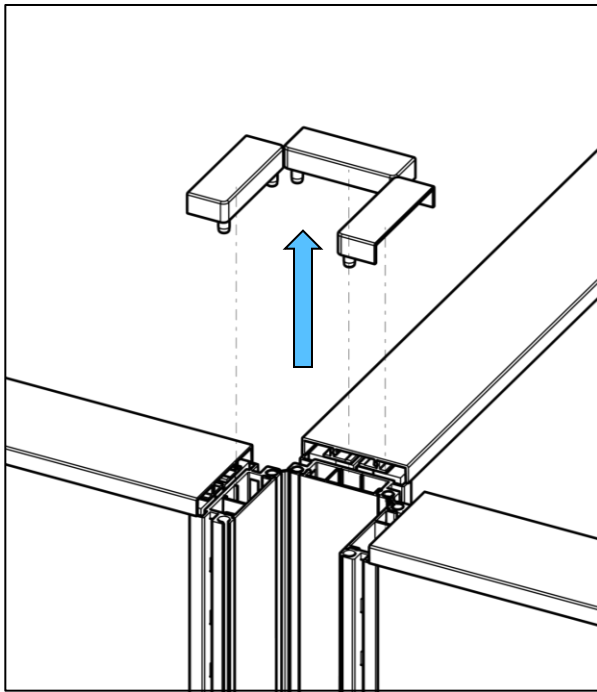
End of Run



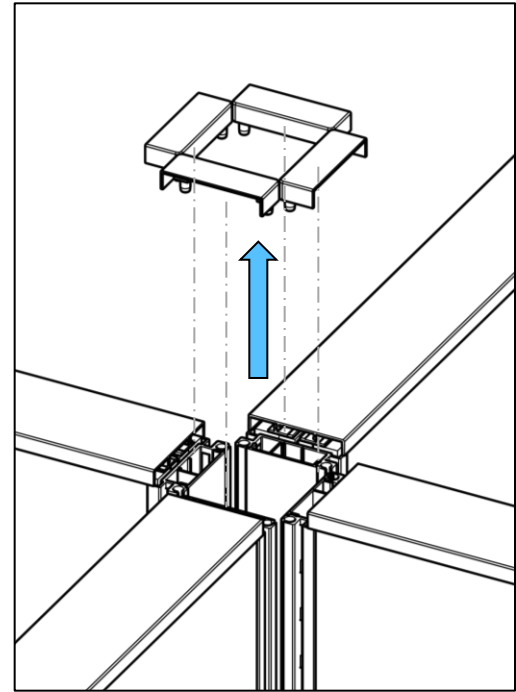
2-way



3-way



4-way



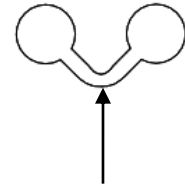
Divi Post Filler Installation Instructions

Step 2: Install the post filler shell to the hanger frames using hinges as specified below.

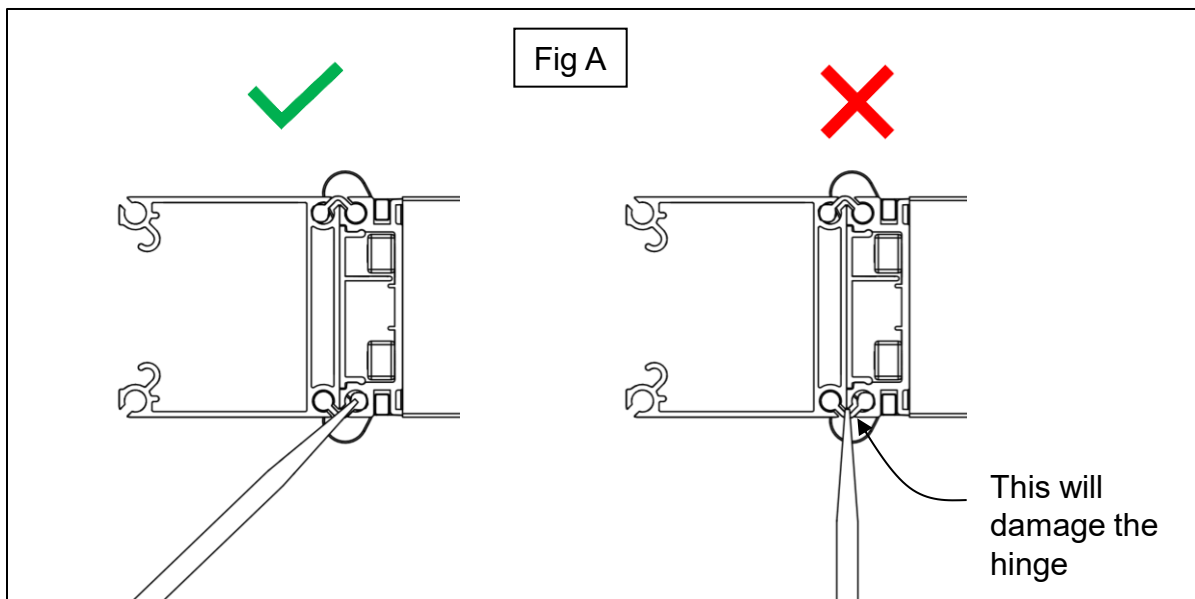
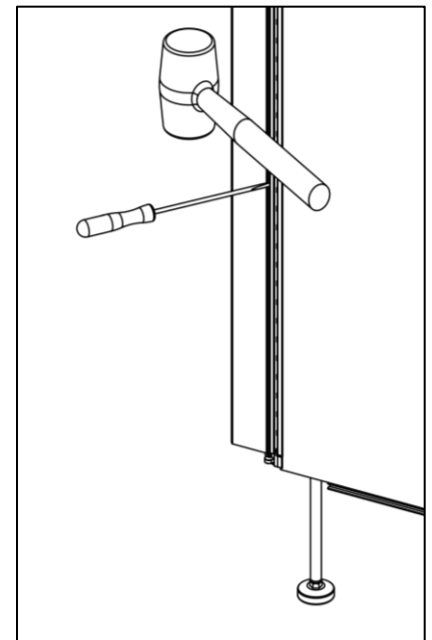
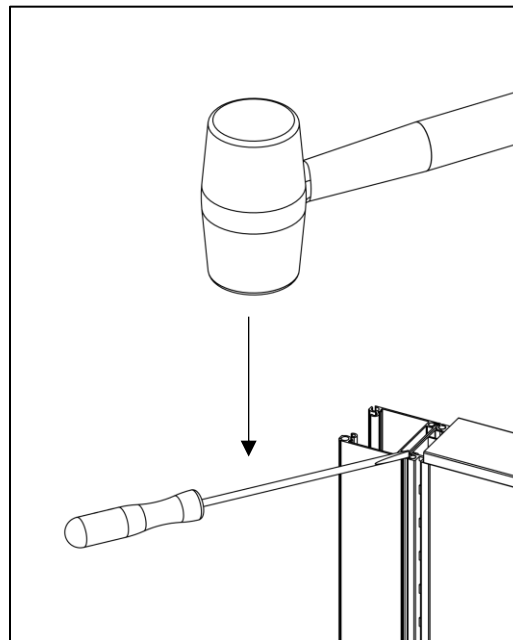
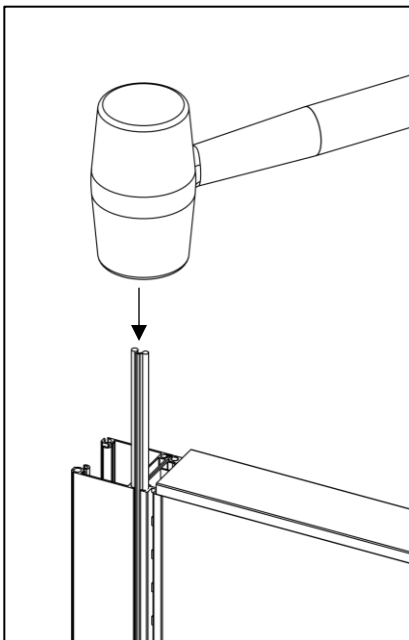
TIP: Use a non-marring mallet to GENTLY tap hinge down until flush with top of the hanger rail.

TIP: Use screwdriver as shown in Fig A

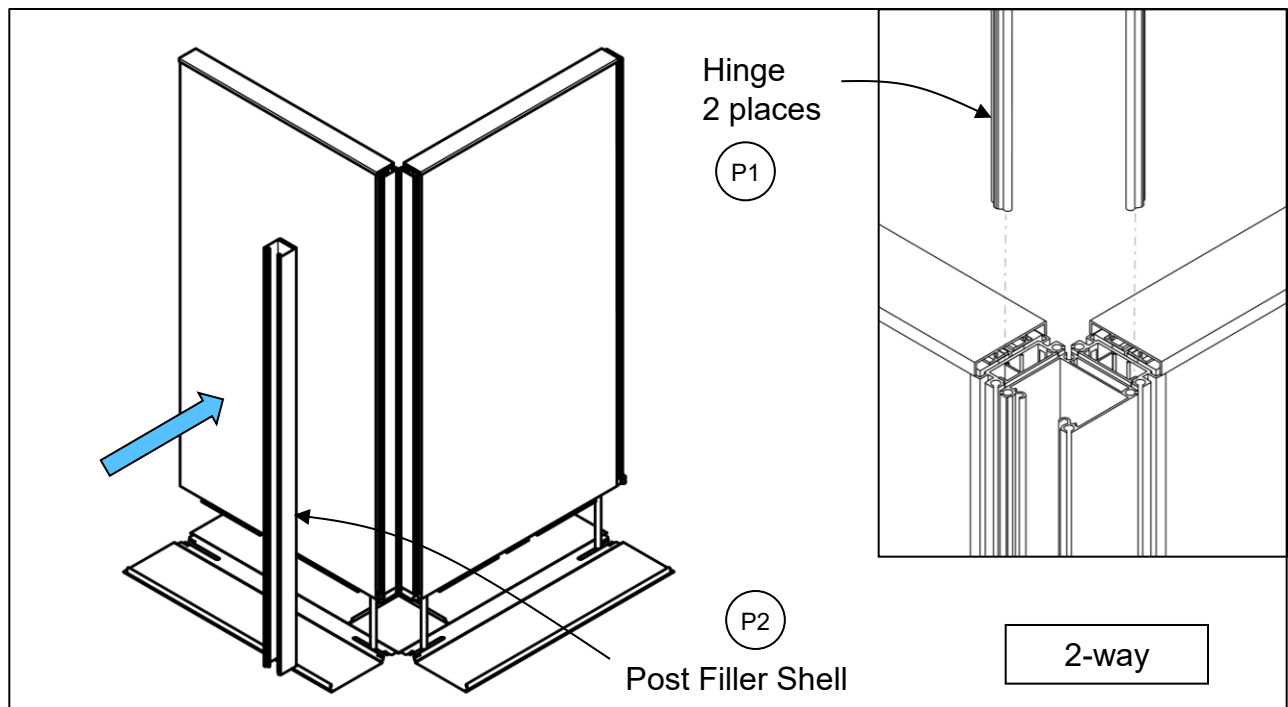
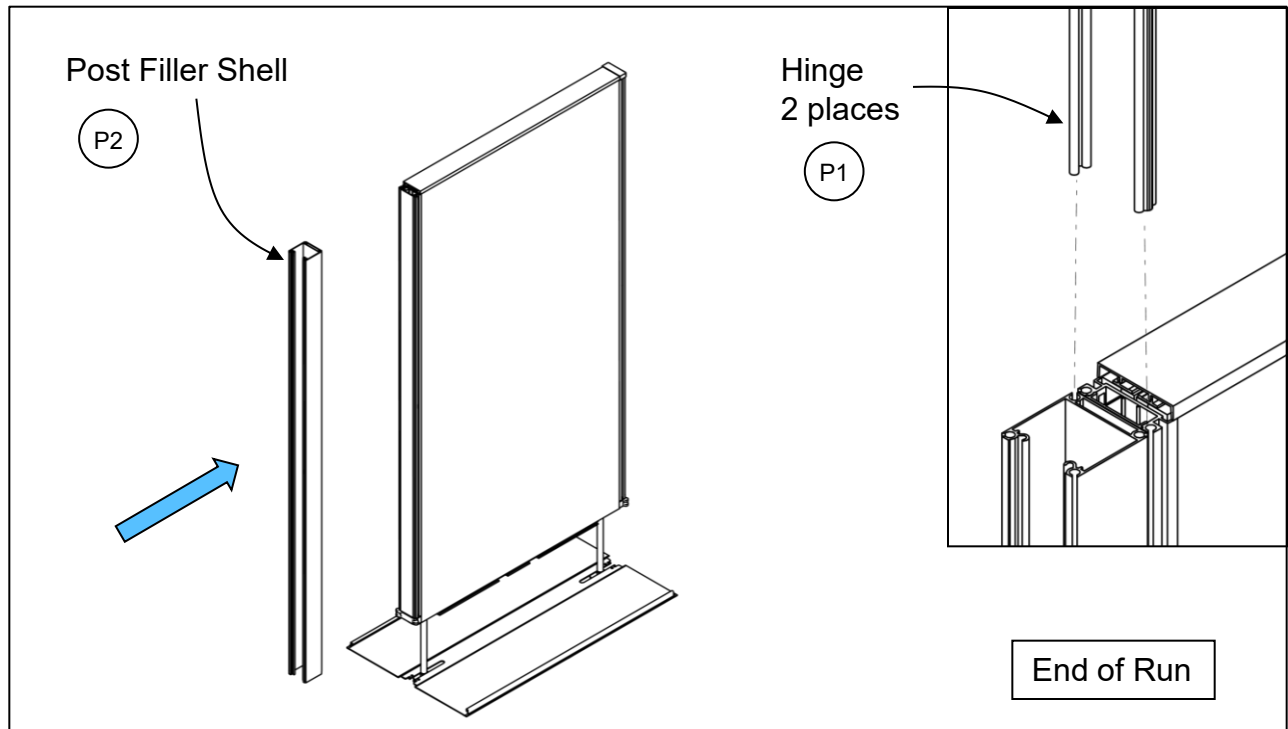
PANEL HEIGHT	HINGE LENGTH AND NUMBER OF HINGE SEGMENTS REQUIRED PER PANEL HEIGHT (NOTE: QUANTITIES FOR EACH SIDE OF PANEL)			
	12 3/4"	20 3/4"	36 3/4"	52 3/4"
42"	1	1		
50"		2		
58"		1	1	
66"		1	1	
74"		1		1
82"		1		1
98"				2



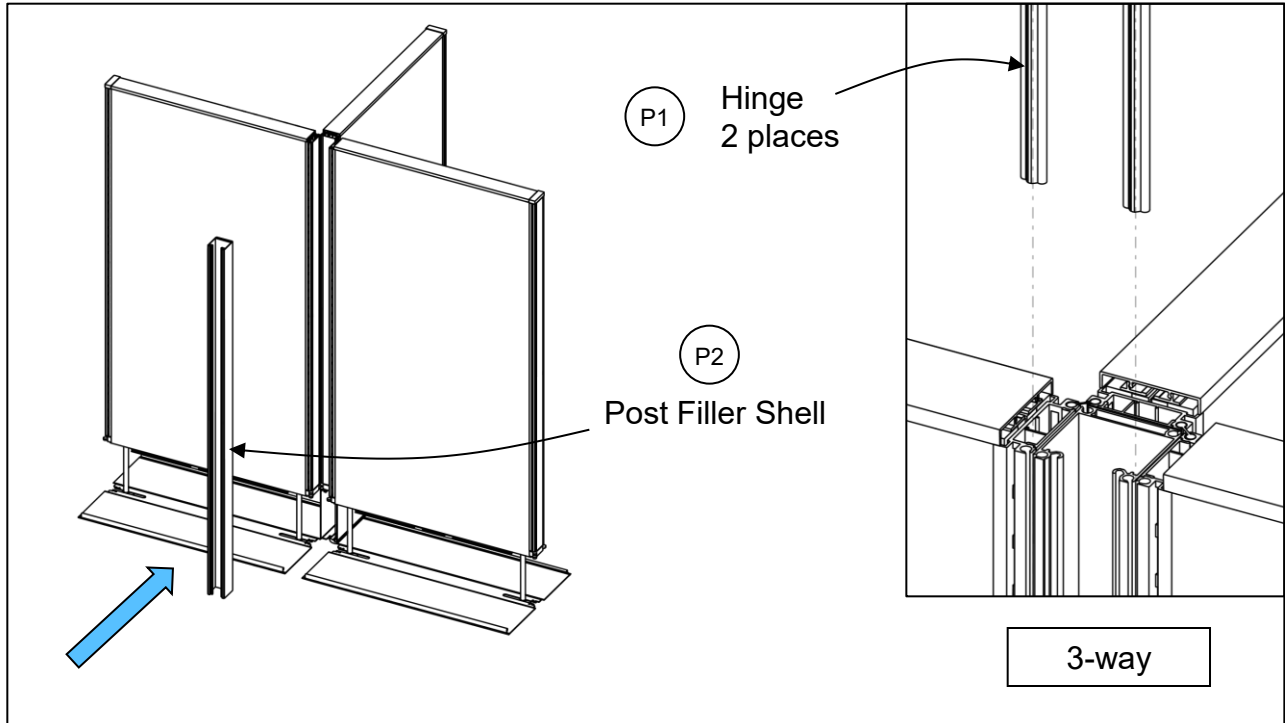
Hinge "point" always faces away from panel face



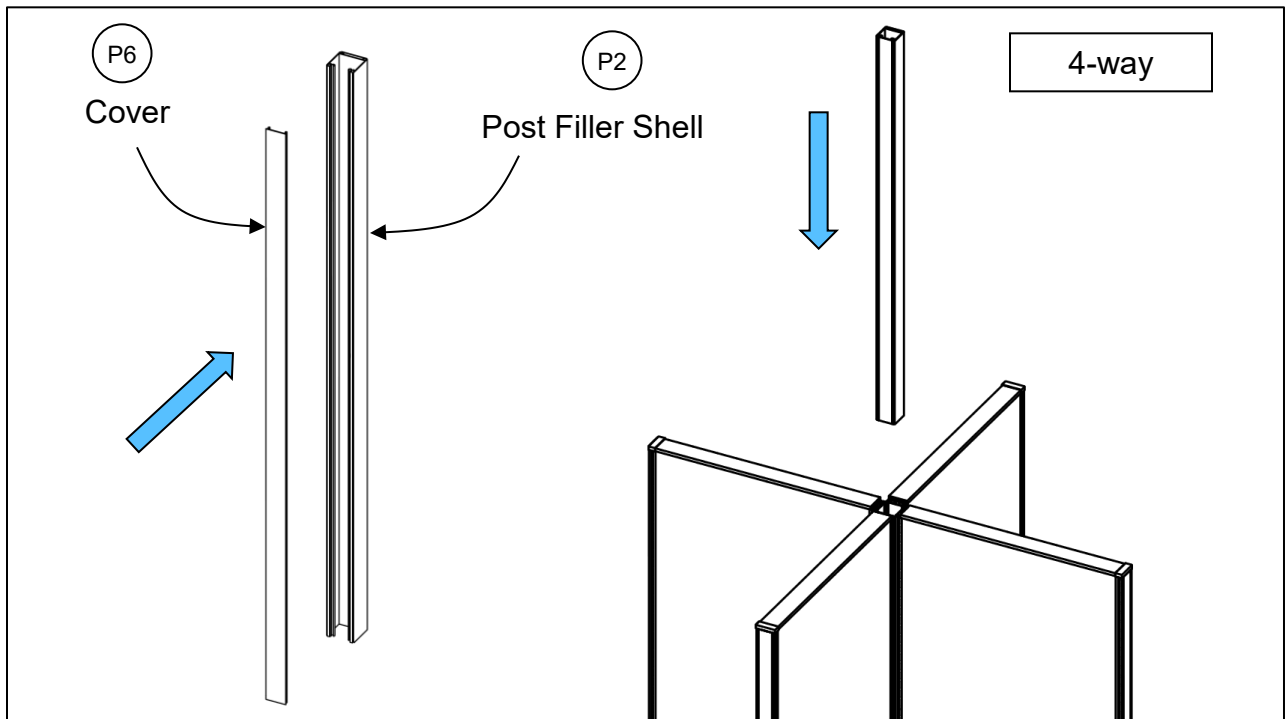
Divi Post Filler Installation Instructions



Divi Post Filler Installation Instructions

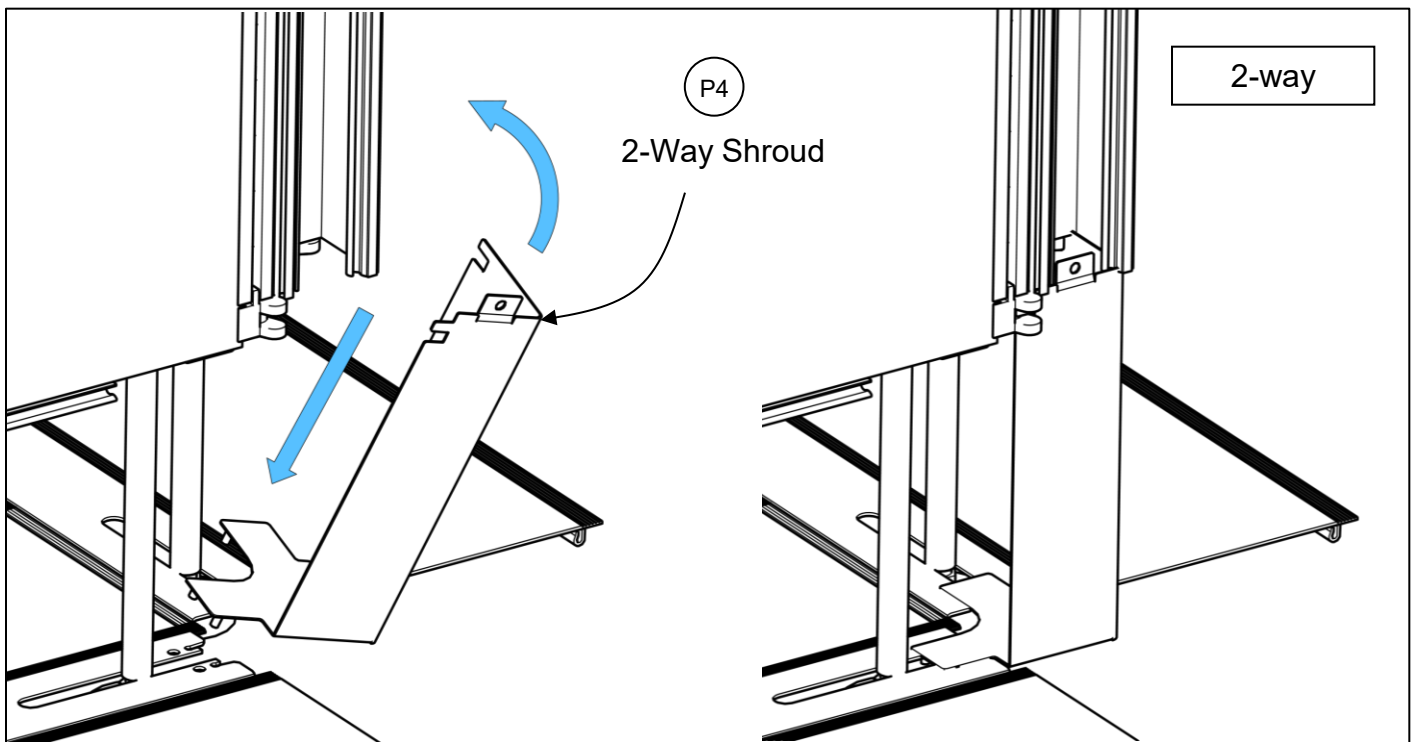
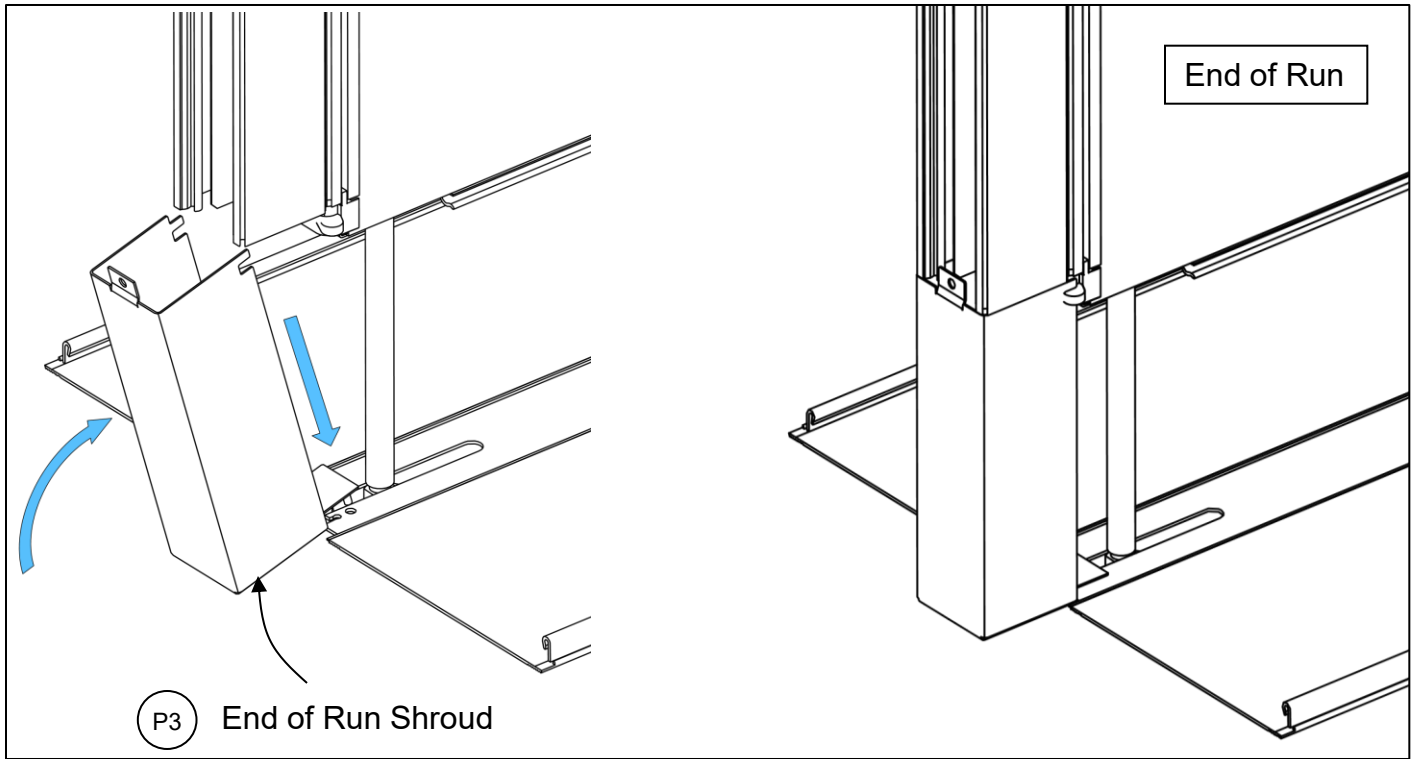


Step 3 (4-way only): Snap cover onto post filler shell and slide into the 4-way channel.



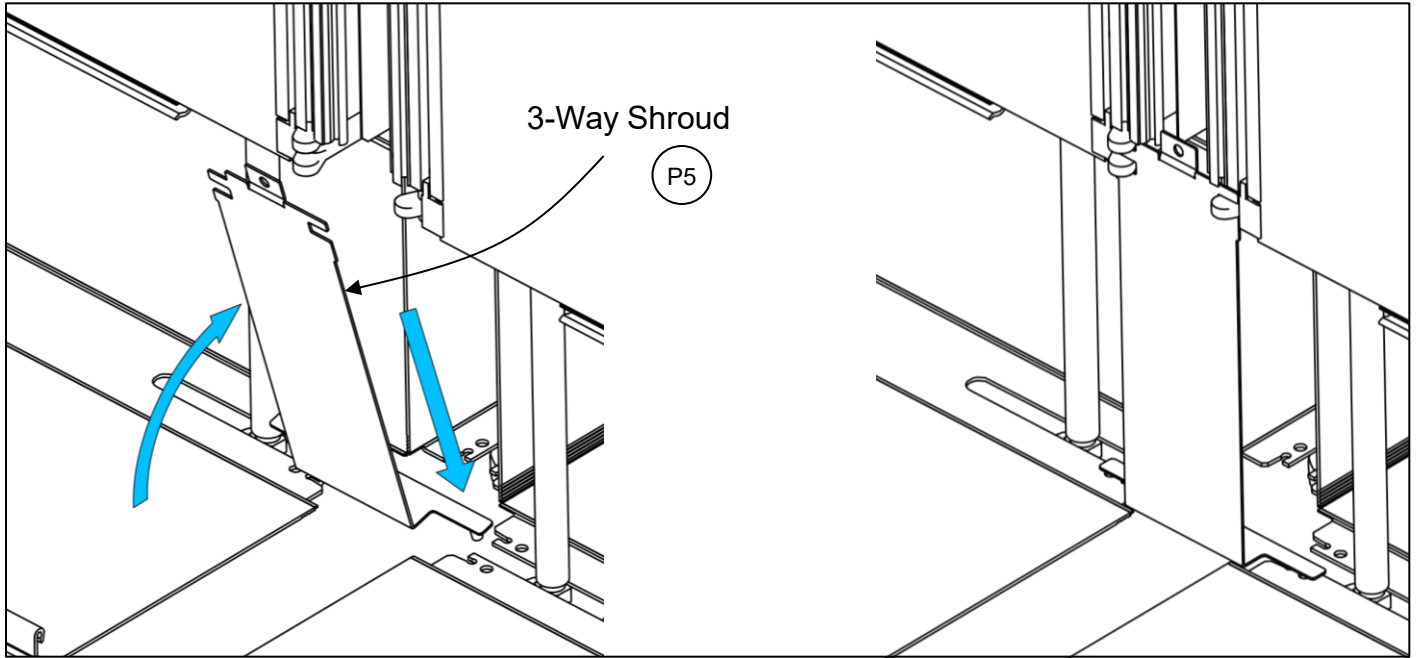
Divi Post Filler Installation Instructions

Step 4: Install shroud.

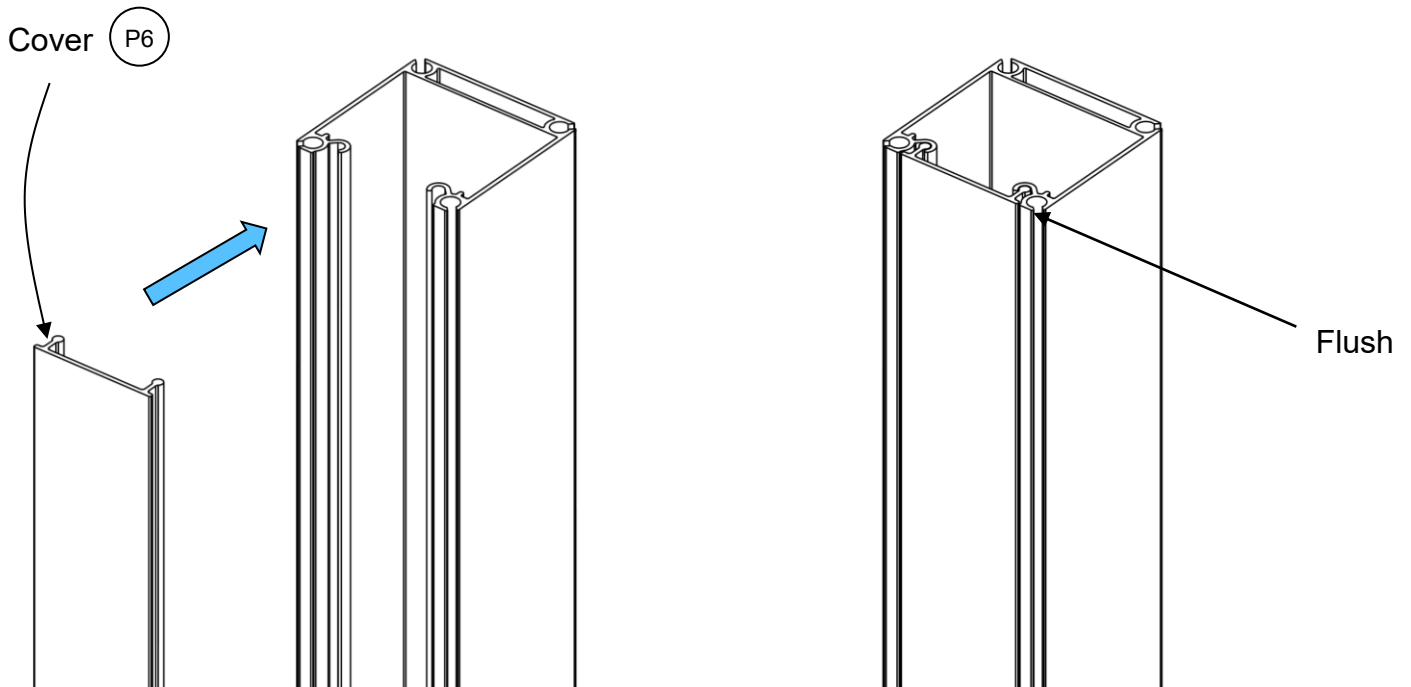


Divi Post Filler Installation Instructions

3-way



Step 5: Snap cover onto the post filler shell, making sure they are flush with no gaps.

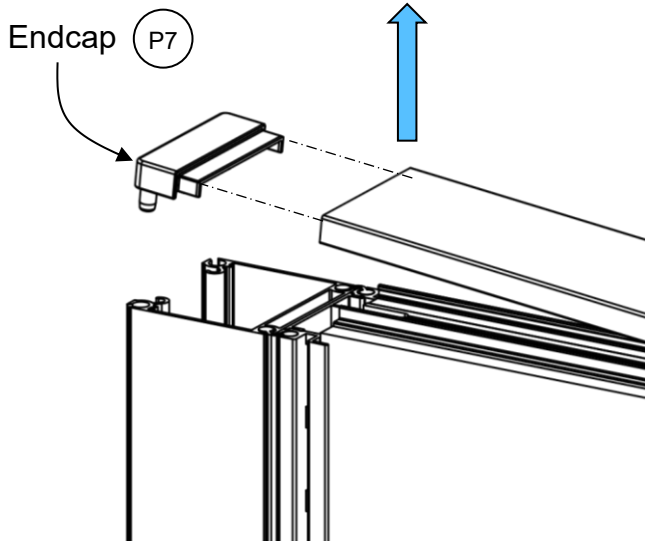


Divi Post Filler Installation Instructions

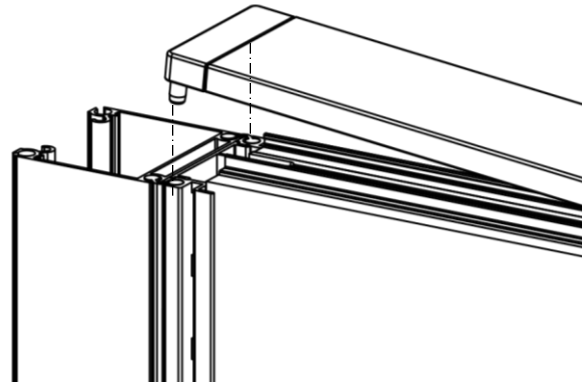
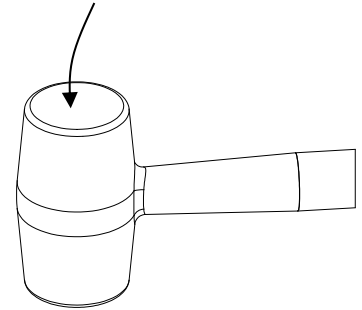
Step 6: Re-install the end caps.



Lift end of topcap up 1/2" max.
Do not bend or crease topcap.
Install the endcap under the topcap.



Use a non-marring mallet to GENTLY tap into place



Step 7: Install post filler top cap.

Post Filler Topcap (P8)

