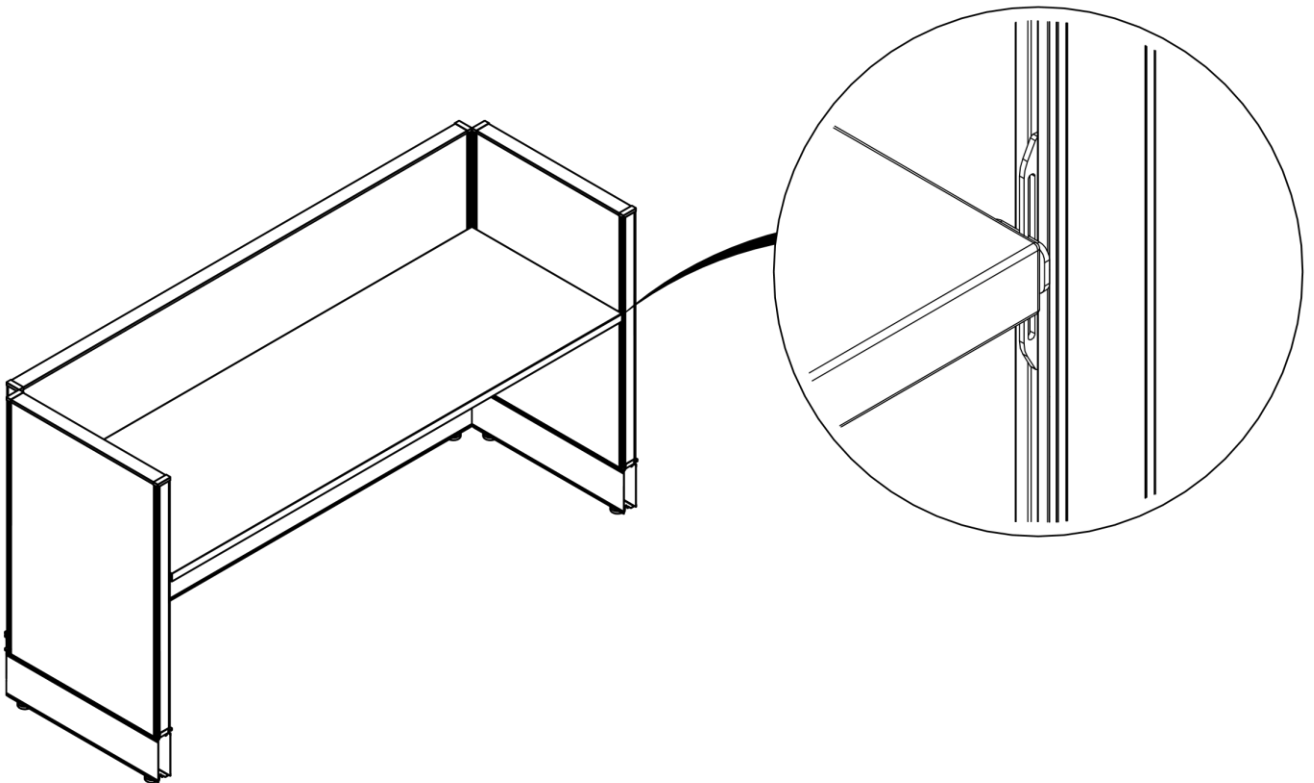
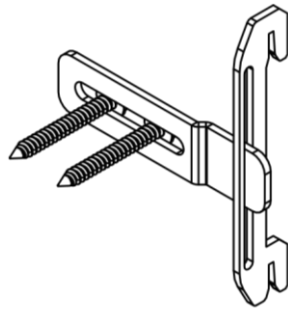
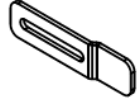

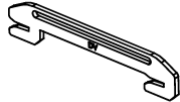


# Divi Wing Panel Support Bracket Instruction

Date	Page No.	Description of change	Name
06/23/2021	1-4	Released	S. Powers

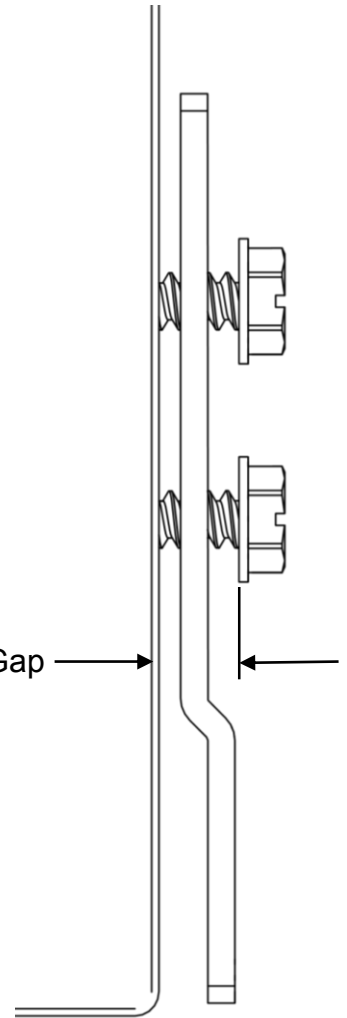
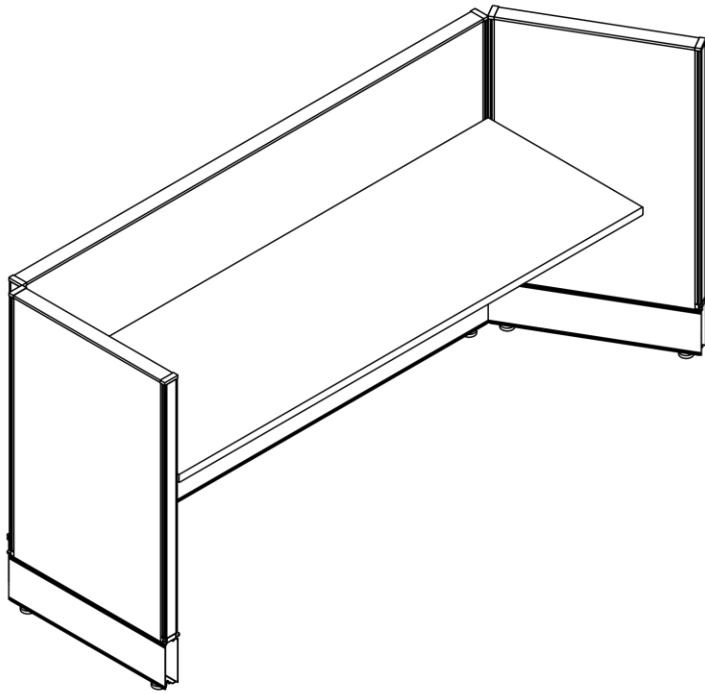


# Divi Wing Panel Support Bracket Instruction

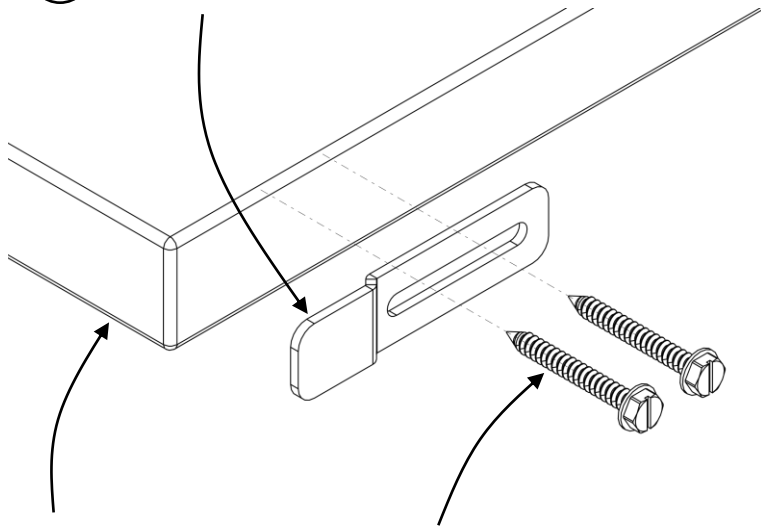
Item	Replacement Part number	Circle Sheet Part Number	Description	Image
P1	P-UNWPLOCK	RP-UNWPLOCK	Wing Panel Bracket Lock	
P2	RH-SMZH10112	RH-SMZH10112	#10 x 1 1/2" Slotted Hex Drive Screw	
P3	P-VSWPB	RP-VSWPB	Wing Panel Bracket	

# Divi Wing Panel Support Bracket Instruction

**Step 1:** Rotate the Divi wing panel out to access the side of the worksurface. Loosely install the wing panel bracket lock to the worksurface using (2) #10 x 1 1/2" slotted hex drive screws.

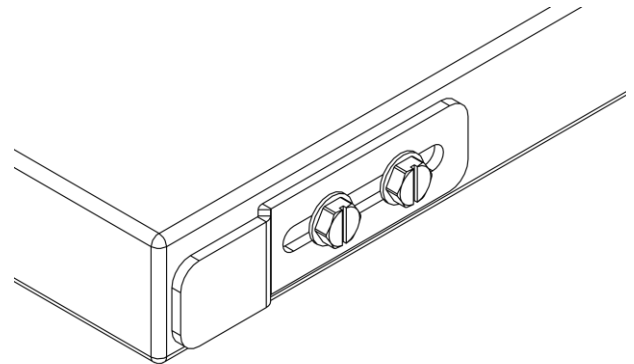


(P1) Wing Panel Bracket Lock



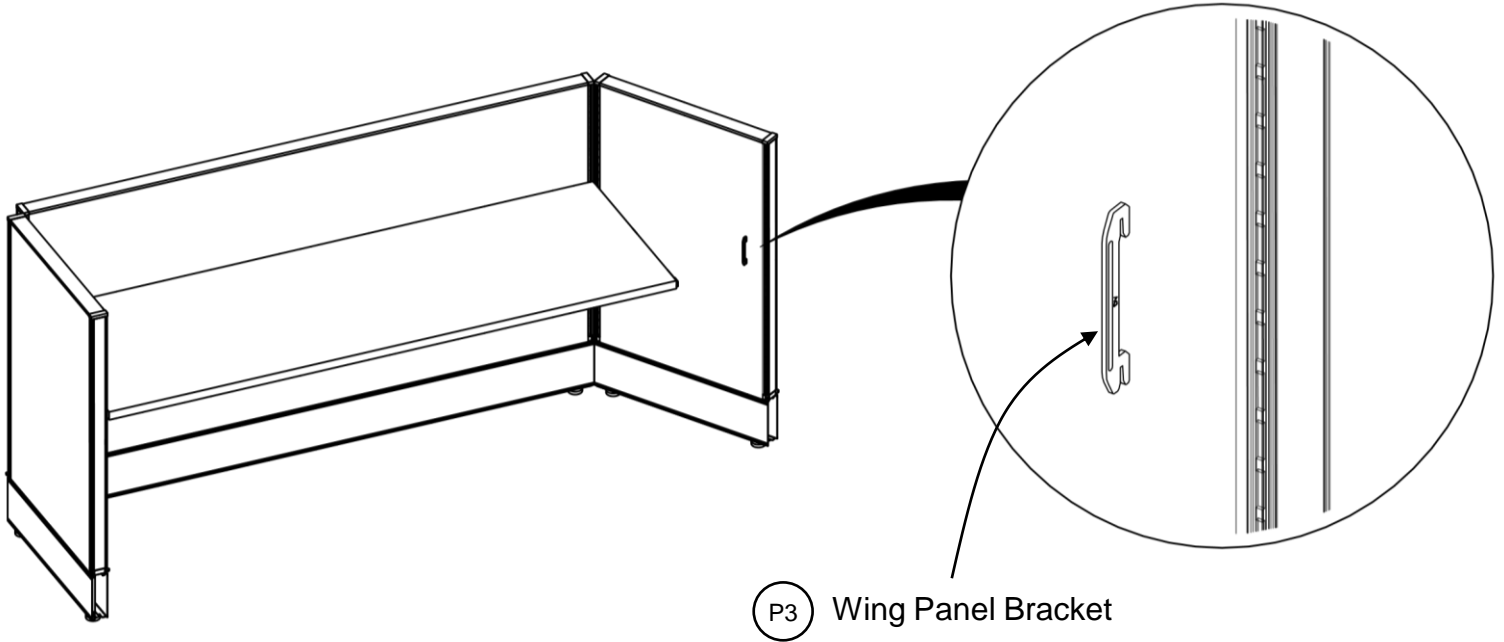
Worksurface

(P2) #10 x 1 1/2" long  
Slotted Hex Drive Screw  
2 places

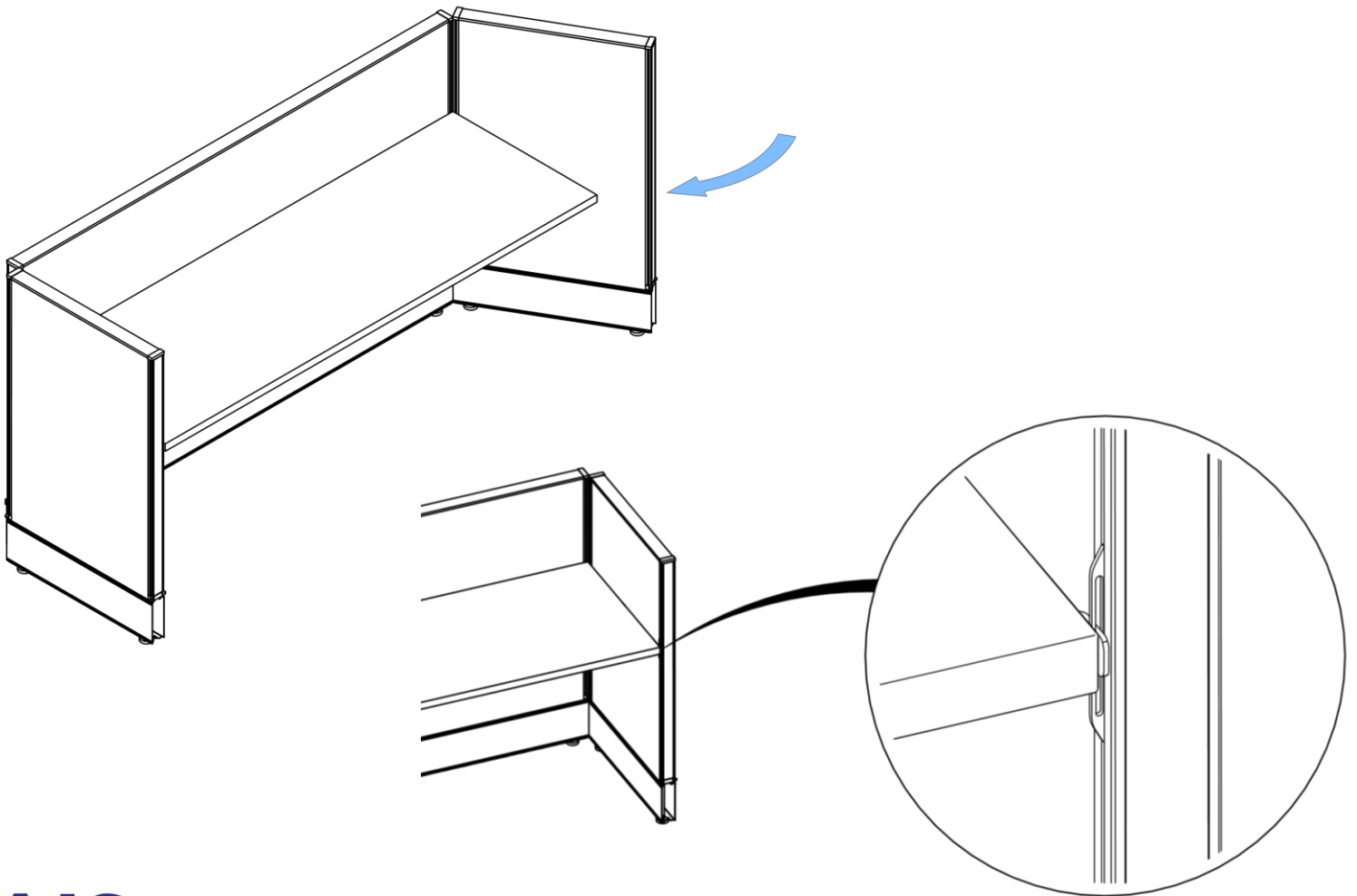


# Divi Wing Panel Support Bracket Instruction

**Step 2:** Hook the wing panel bracket into the slots of the Divi panel.



**Step 3:** Rotate the Divi wing panel back and align the lock into the slot in the wing panel bracket.



# Divi Wing Panel Support Bracket Instruction

**Step 4:** Tighten 5/16" hex screws to worksurface.

