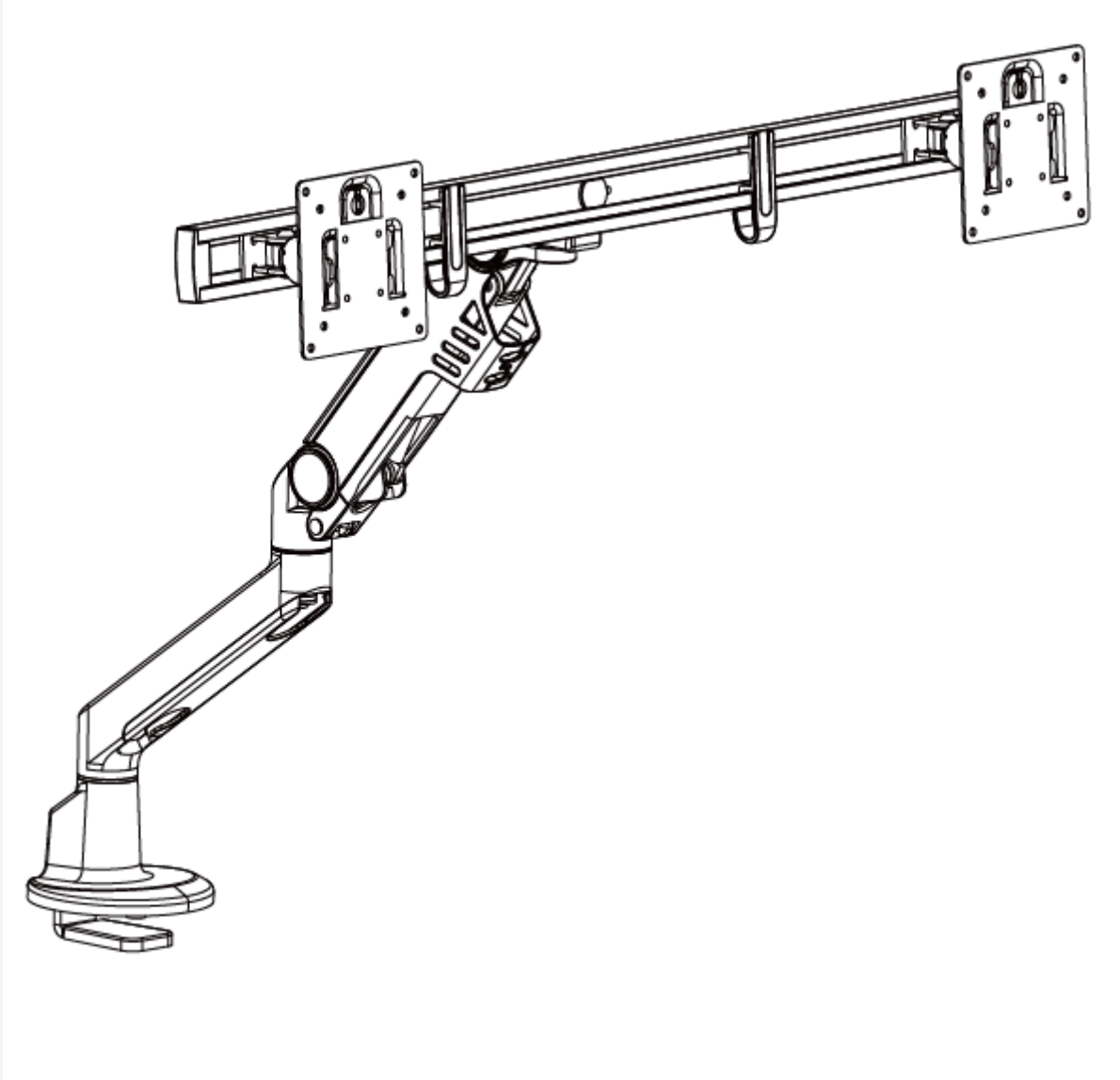
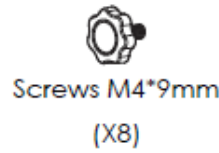
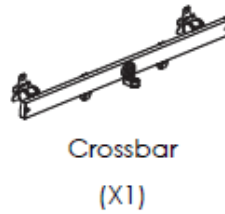
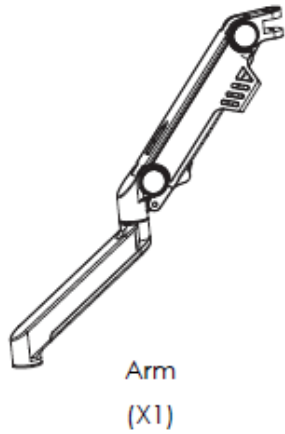


# Dual Monitor Arm for Shallow Depth Worksurfaces

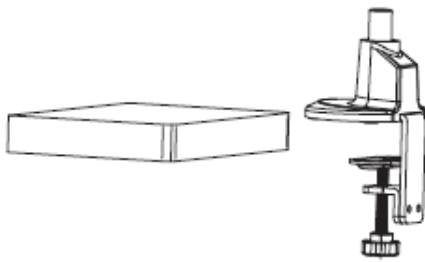


# Dual Monitor Arm for Shallow Depth Worksurfaces

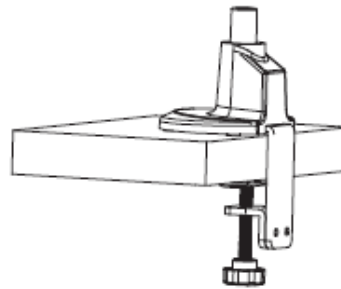
## 1 Parts List



## 2a Base Installation- Clamp Style

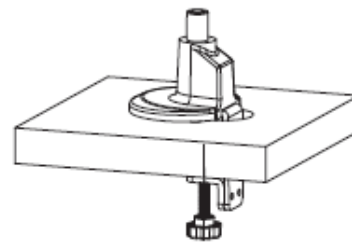
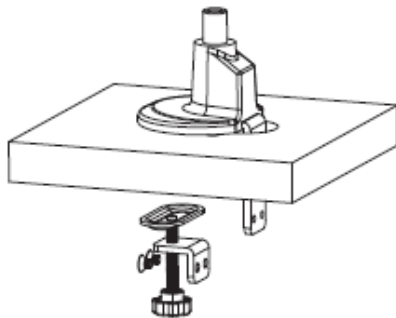


Desk Thickness: 10-85mm



## 2b Base Installation- Clamp Style

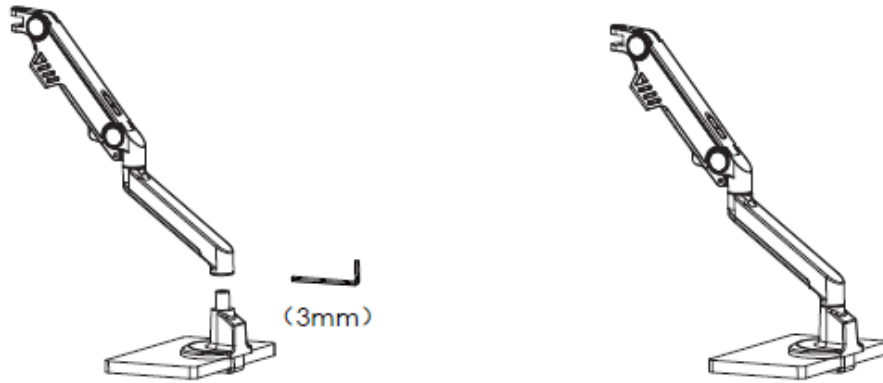
Clamp may also be fitted into the cable guide hole featured on some desks.



Desk Thickness: 10-85mm  
Grommet Hole: Min 40mm

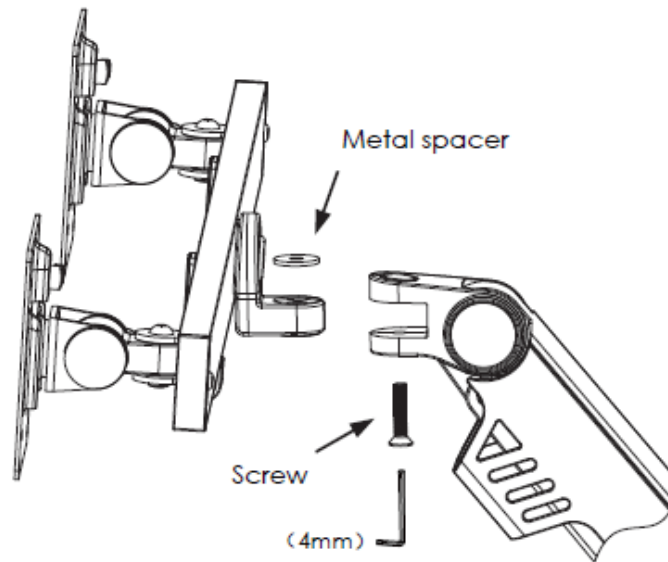
# Dual Monitor Arm for Shallow Depth Worksurfaces

## 3 Arm Installation

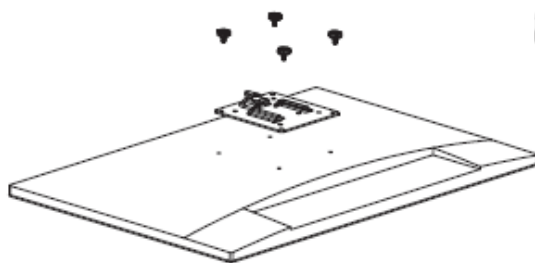


## 4 Connect the Crossbar

Attached the crossbar to the arm using the long screw and the spacer.



## 5 VESA Plate/Monitor Installation



M4X9 screw is the default VESA screw size for most monitors and is designed to be hand-tightened.



M4X12 screw is provided to accommodate monitors requiring longer VESA screws.

# Dual Monitor Arm for Shallow Depth Worksurfaces

6

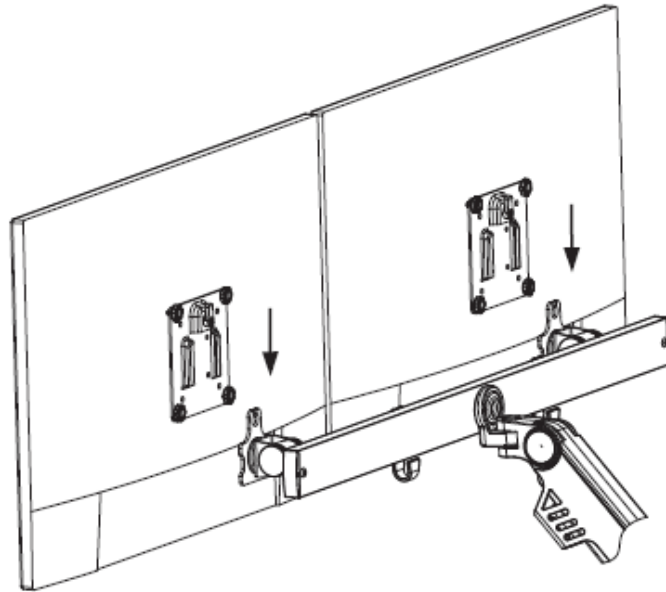
## Monitor Installation



Before slide in, please make sure the knob is vertical



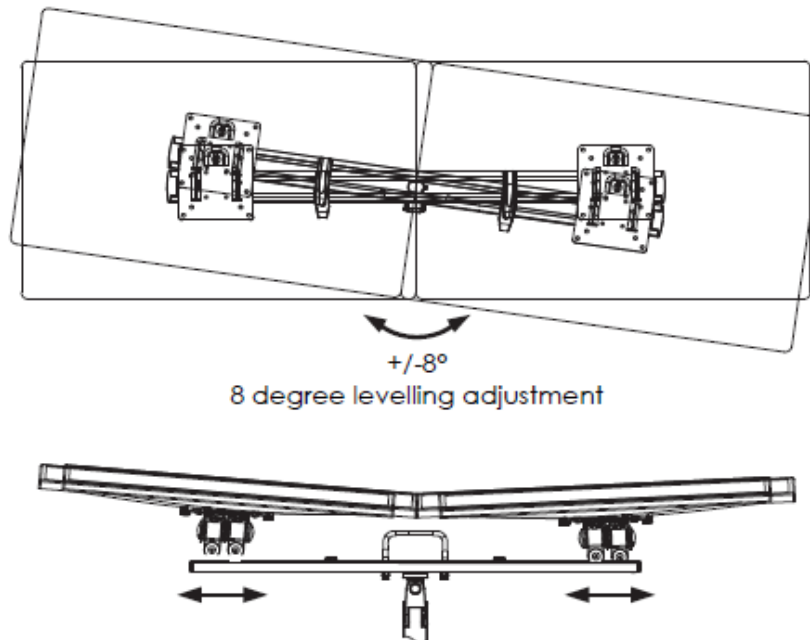
Then turn the knob to right to lock and fix the plate



7

## Horizontal Movement

Make sure monitors are close together and at the same height.



**AI**S

[www.ais-inc.com](http://www.ais-inc.com)

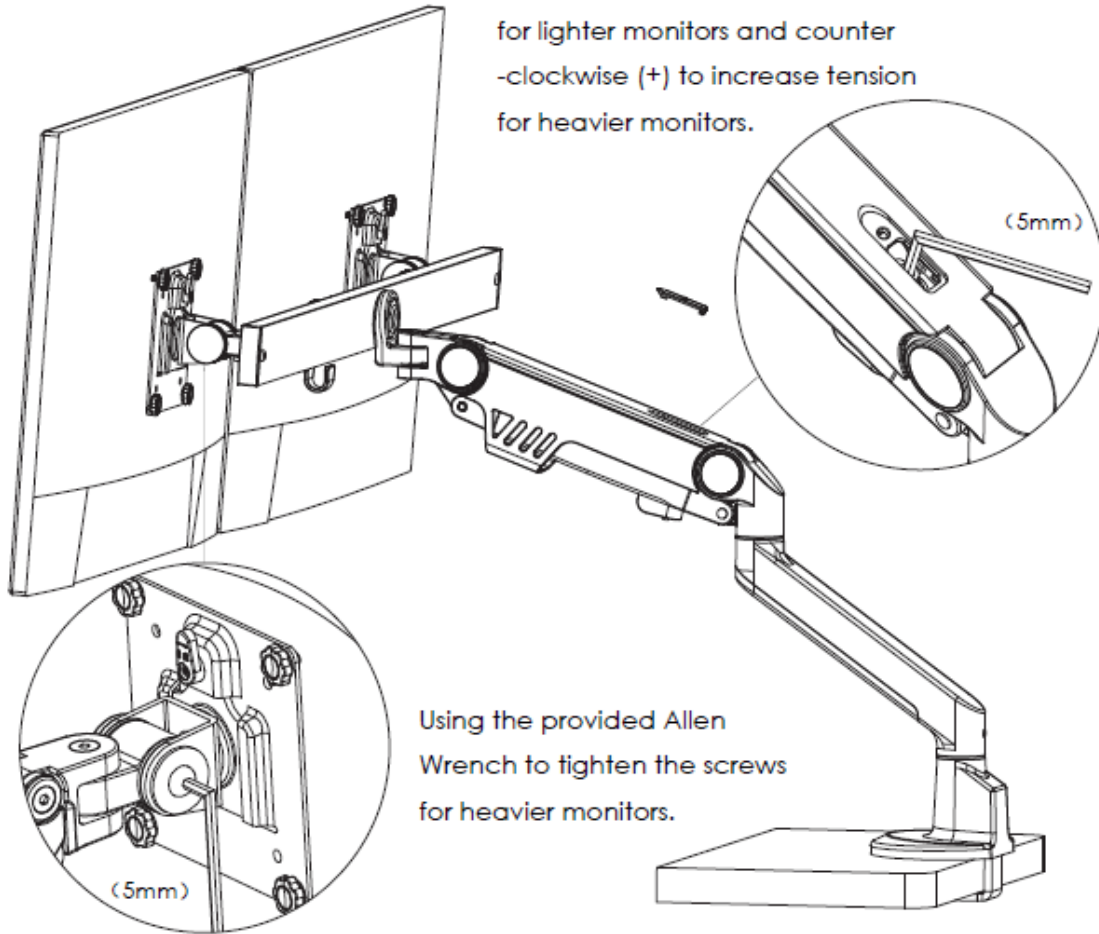
P-DMASWSINSTRUC Rev 04.25.2025

# Dual Monitor Arm for Shallow Depth Worksurfaces

8

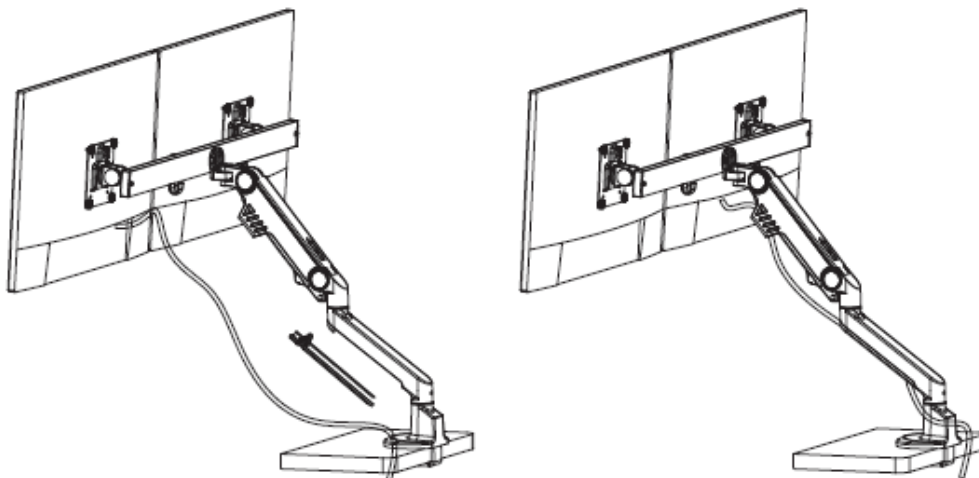
## Adjust Arm Tension

Turn clockwise (-) to reduce tension for lighter monitors and counter-clockwise (+) to increase tension for heavier monitors.



9

## Cable Management



The cables could be threaded through upper and lower arm section.

Note: An allowance of extra cable should be left to accommodate arm movement.

**AIS**

[www.ais-inc.com](http://www.ais-inc.com)

P-DMASWSINSTRUC Rev 04.25.2025