

# Encounter PowerBeam Installation Instructions

## **\*\*\*READ ALL INSTRUCTIONS BEFORE USING\*\*\***

- For commercial use only.
- Warning: Risk of Injury – Maximum load 275 lbs. 2 leg, 325 lbs. 3 leg
- Electrical rating: 120V, 60Hz, 4 AMP for 2 leg tables  
120V, 60Hz, 5 AMP for 3 leg tables
- No more than 12 furnishings can be connected on one branch circuit.

## IMPORTANT SAFETY INSTRUCTIONS

DANGER – To reduce risk of electric shock:

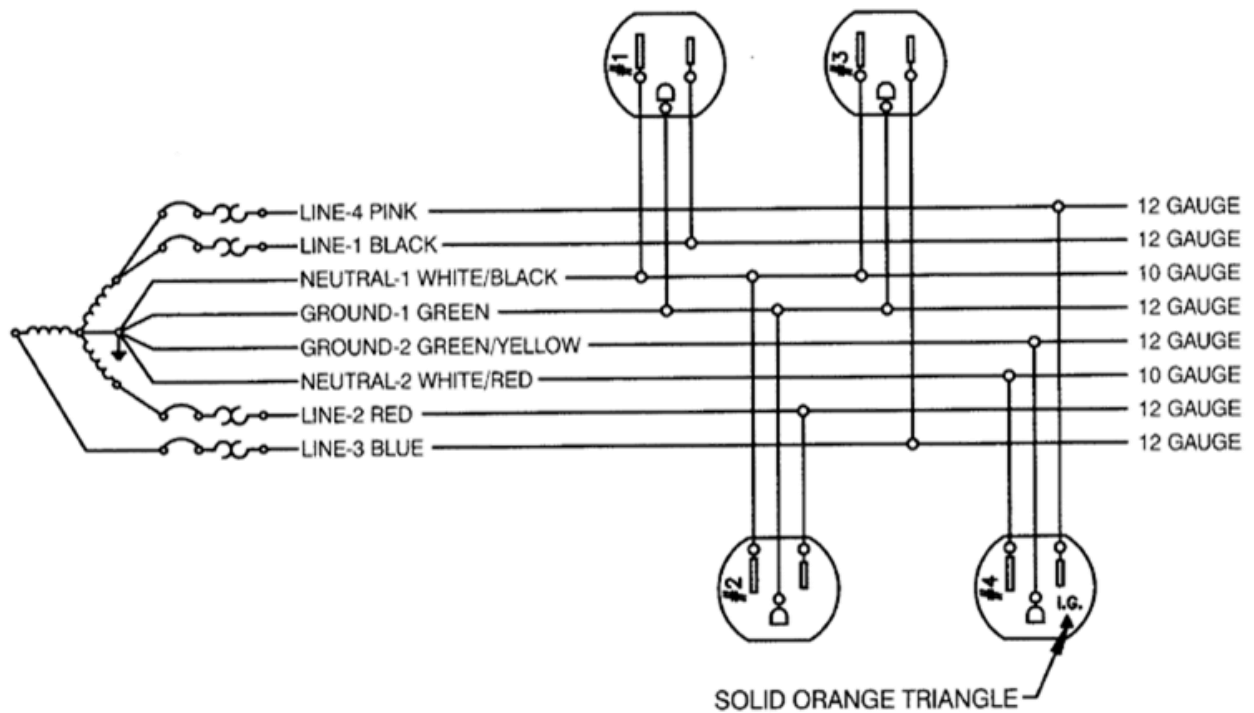
- Always unplug furnishing from the electrical outlet before cleaning or servicing.

WARNING – To reduce the risk of burns, fire, electric shock, or injury to persons:

- Unplug from outlet before putting on or taking off parts.
- Close supervision is necessary when this furnishing is used by, or near children, invalids or disabled persons.
- Review the assembly instructions to confirm that the appropriate critical components and accessories are being used with the furnishing.
- Never operate this furnishing if it has a damaged cord or plug, if it is not working properly, if it has been dropped or damaged, or dropped into water.
- Keep the cord away from heated surfaces.
- Never operate the furnishing with the air openings blocked. Keep the air openings free of lint, hair and the like.
- Do not use outdoors.
- To disconnect, turn all controls to the off position, then remove plug from outlet.
- Connect to a properly grounded outlet only. See grounding instructions.
- For loading always put heavier items at the bottom and not near the top in order to help prevent the possibility of the furnishing tipping over.

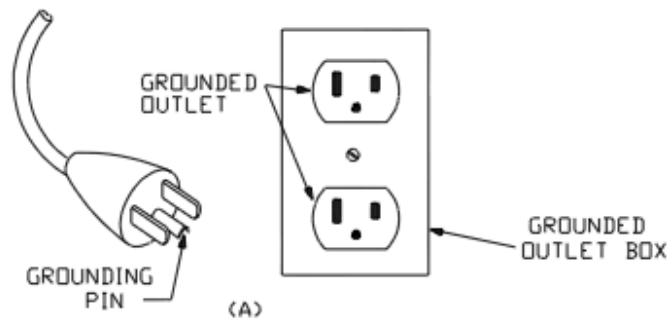
# Encounter PowerBeam Installation Instructions

## Wiring Schematic



### GROUNDING INSTRUCTIONS

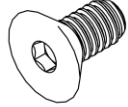
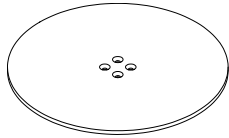
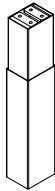
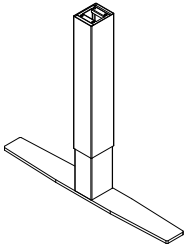
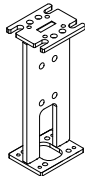

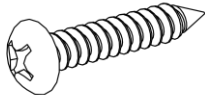
This product is for use on a circuit having a nominal rating more than 120 volts and is factory-equipped with specific electric plug to permit connection to a proper electric circuit. Make sure that the product is connected to an outlet having the same configuration as the plug. No adapter should be used with this product



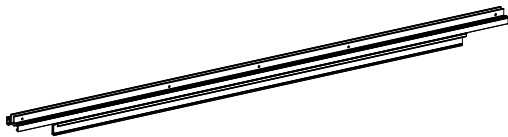
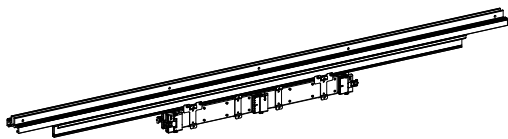
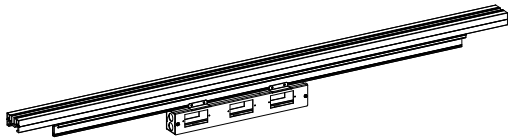
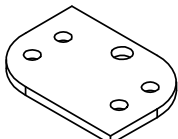
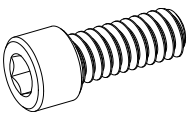

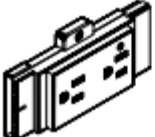

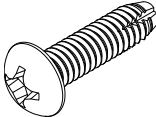
# Encounter PowerBeam Installation Instructions

Date	Page No.	Description of change	Name
05/05/2023	1-54	Separated PowerBeam from PowerBench instructions	S. Powers
06/27/2023	31	Added blank outlet cover	S. Powers
05/28/2025	17, 19	Change size to 54 on Step 3, 4	P. Day
10/17/2025	4,10	Updated P7, P58, P59, P62	S. Powers
03/09/2026	10, 17, 19	Updated beam support bracket	S. Powers
05/11/2026	7	Updated part number on P32	P. Day


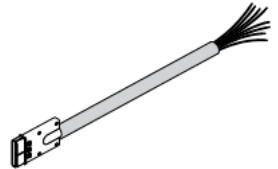
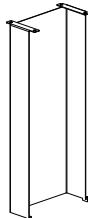
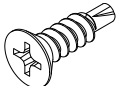

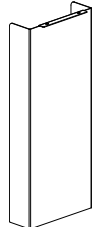
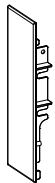

# Encounter PowerBeam Installation Instructions

Item	Replacement Part number	Circle Sheet Number	Description	Image
P1	RH-91263A553-I	RH-91263A553-I	Flat Head Hex Screw 1/4-20 x 5/8" long	
P2	T-BDxx xx = 12 or 18	DD-BDxx xx = 12 or 18	Beam Disc 12" or 18"	
P3	T-BPLEGxx xx = 21, 25 or 29	T-BPLEGxx xx = 21, 25 or 29	Post Leg Assembly 21H, 25H or 29 H	
P4	T-BTLEGxxyy xx = 21, 25 or 29 yy = 12 or 18	T-BTLEGxxyy xx = 21, 25 or 29 yy = 12 or 18	12D or 18D T-Leg Assembly 21H, 25H or 29H	
P5	T-BRVS	DD-BRVS-I	Beam Raceway Vertical Support	
P6	T-BRBxx xx = 36 - 96 (in increments of 6")	DD-BRBxx xx = 36 - 96 (in increments of 6")	Beam Raceway Base 36-96W	
P7	RP-PSS1-C	RP-PSS1-C	Pan Head Sheet Metal Screw #10 x 1"	


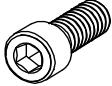

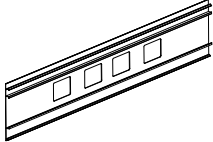

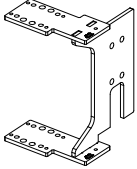
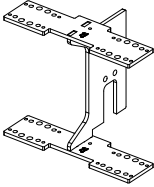
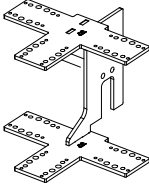
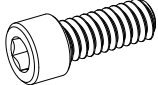

# Encounter PowerBeam Installation Instructions

Item	Replacement Part Number	Circle Sheet Number	Description	Image
P8	T-BRTxx xx = 36 - 96 (in increments of 6")	DD-BRTxx-A xx = 36 - 96 (in increments of 6")	Non-Powered Raceway Top 36-96W	
P9	T-BPxx xx = 36 - 96 (in increments of 6")	T-BPxx xx = 36 - 96 (in increments of 6")	Powered Raceway Top 36-96W	
P10	T-BPCxx xx = 36 - 96 (in increments of 6")	T-BPCxx xx = 36 - 96 (in increments of 6")	Chicago Powered Raceway Top 36-96W	
P11	O-TB	OX-TP-I	Twist Plate	
P12	RH-SHB142058B-I	RH-SHB142058B-I	Hex Cap Screw 1/4-20 x 5/8" long	
P13	E-MW8W4DOx X = 1,2,3 or 4	E-MW8W4Dx X = 1,2,3 or 4	Duplex Outlet Line 1 - 4	
P14	E-MW8W4T24DOx X = 1,2,3 or 4	RSP-000000297x X = 1,2,3 or 4	Duplex Outlet CA Title 24 Line 1 - 4	  *Controlled* Symbol
P15	RE-HS1058F	RE-HS1058F	Pan Head Thread Cutting Screw #10-24 x 5/8" long	

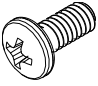
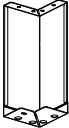

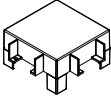
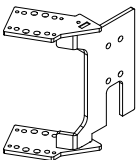
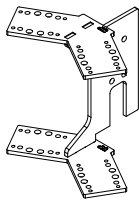
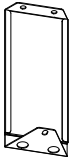

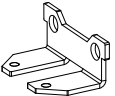
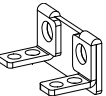
# Encounter PowerBeam Installation Instructions


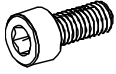

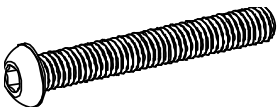
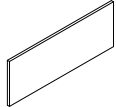

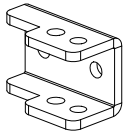
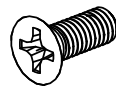
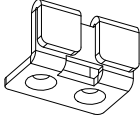
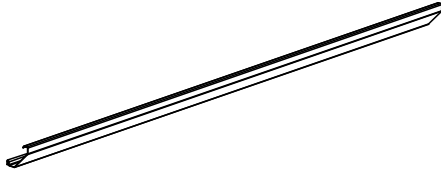
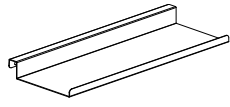
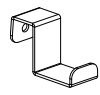
Item	Replacement Part Number	Circle Sheet Number	Description	Image
P16	See Catalog		18-86" Electrical Jumper 18,21 = mesh 24-86 = metal	
P17	E-UN8W4BIFS	E-UN8W4BIFS	Standard Side-Mounted Base In-Feed 72"	
P18	T-BUMPxx xx = 21, 25 or 29	DD-BVWMSxx xx = 21, 25 or 29	Vertical Wire Manager Shell 21H, 25H or 29H	
P19	RH-TSSF612	RH-TSSF612	Flat Head Drilling Screw #6 X 1/2" long	
P20	T-BVWMTS	DD-BVWMTS	Vertical Wire Manager Base Shroud	
P21	T-BVWMCxx xx = 21, 25 or 29	DD-BVWMCxx xx = 21, 25 or 29	Vertical Wire Manager Cover 21H, 25H or 29H	
P22	DD-BREC	DD-BREC	Beam Raceway End Cap	
P23	RP-WASHER14-I	RP-WASHER14-I	Washer 1/4"	

# Encounter PowerBeam Installation Instructions








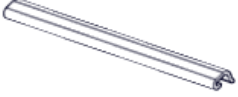
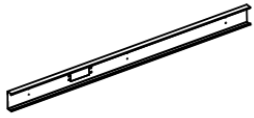
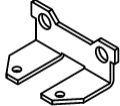
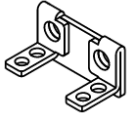
Item	Replacement Part Number	Circle Sheet Part Number	Description	Image
P24	RA-HNZF1420	RA-HNZF1420	Flange Nut ¼-20	
P25	RH-SHB142058B-I	RH-SHB142058B-I	Hex Cap Machine Screw ¼-20 x 5/8" long	
P26	T-BRCNxx xx = 36 - 96 (in increments of 6")	DD-BRCNxx xx = 36 - 96 (in increments of 6")	Beam Non-Powered Raceway Cover 36W – 96W	
P27	T-BRCxx xx = 36 - 96 (in increments of 6")	DD-BRCxx xx = 36 - 96 (in increments of 6")	Beam Powered Raceway Cover 36W – 96W	
P28	O-SBCxx xx = 36 - 96 (in increments of 6")	OX-SBCxx-A xx = 36 - 96 (in increments of 6")	Spine Beam Cover 36W – 96W	
P29	DD-B90C2W	DD-B90C2W	90° 2-Way Connector	
P30	DD-B90C3W	DD-B90C3W	90° 3-Way Connector	
P31	DD-B90C4W	DD-B90C4W	90° 4-Way Connector	
P32	RH-SHB142058B-I	RH-SHB142058B-I	Hex Cap Machine Screw ¼-20 x 5/8" long	
P33	RA-HNZFS1420	RA-HNZFS1420	Flange Nut ¼-20	

# Encounter PowerBeam Installation Instructions


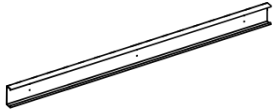
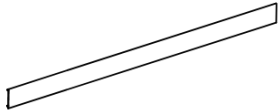




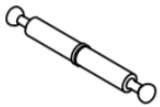


Item	Replacement Part Number	Circle Sheet Part Number	Description	Image
P34	RP-MXHS83214	RP-MXHS83214	Pan Head Thread Forming Screw #8-32 x 5/16" long	
P35	T-B90-2WS	DD-B90-2WS	90° Connector Shroud 2-Way	
P36	T-B90-3WS	DD-B90-3WS	90° Connector Shroud 3-Way	
P37	T-DDB90TC	DD-B90TC	90° Connector Cap	
P38	DD-B120C2W	DD-B120C2W	120° 2-Way Connector	
P39	DD-B120C3W	DD-B120C3W	120° 3-Way Connector	
P40	DD-B120-2WS	DD-B120-2WS	120° Connector Shroud 2-Way	
P41	T-B120TC	DD-B120TC	120° Connector Cap	
P42	DD-BEMTB	T-BEMTB	Beam End Mount Top Bracket	
P43	DD-BEMBB	T-BEMBB	Beam End Mount Bottom Bracket	

Item	Replacement Part Number	Circle Sheet Part Number	Description	Image
P44	RH-030-10-564	RH-030-10-564	Hafele Insert M6 x 15mm	
P45	RH-91502A164	RH-91502A164	Socket Head Hex Cap Screw M6 x 1 x 14mm long	
P46	RH-90576A115	RH-90576A115	M6 Lock Nut	
P47	RH-92095A250	RH-92095A250	Button Head Hex Drive Screw M6 x 1 x 45mm long	
P48	OX-GCP2	OX-GCP2	Polycarbonate Spacer, clear	
P49	RH-SHSS142814	RH-SHSS142814	Set Screw ¼-28 x 1/4" long	
P50	O-SLSSM2	OX-SLSSM2	Spine Screen Mount Bracket	
P51	RH-MSZFP103212	RH-MSZFP103212	Flat Head Machine Screw #10-32 x ½" long	
P52	T-BAM	DD-BAM	Beam Accessory Mount Bracket	
P53	T-BPCTxx	DD-BUTxx	Beam Power Cord Tray 36W-72W	
P54	T-BMS18	DD-BMS18	Beam Mini Shelf 18"	
P55	T-BBH	DD-BBH	Beam Bag Hook	

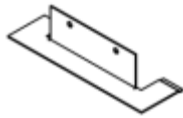


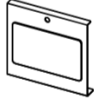
# Encounter PowerBeam Installation Instructions

Item	Replacement Part Number	Circle Sheet Part Number	Description	Image
P56	RA-TVWM40	RA-TVWM40	Wire Manager	
P57	DD-BWMTC	DD-BWMTC	Wire Manager Trough Clip	
P58	RP-SAPFS	RP-SAPFS	#6 X 5/8" long Pan Head Drilling Screw	
P59			M3.5 x 14mm Flat Head Drilling Screw	
P60	TSSF812	TSSF812	#8 x 1/2" long Flat Head Drilling Screw	
P61	T-BCV	DD-BIS	Center Support Bracket	
P62	RH-9064A556	RH-90604A556	#6-32 x 3/16" long Pan Head Screw	
P63	DD-BCPFE-04	DD-BCPFE-04	Shim	
P64	T-PPBxx xx = 21, 25 or 29	DD-PPBxx xx = 21, 25 or 29	Power Pole Bottom Sell	
P65	T-BEMTB	DD-BEMTB	Power Pole Top Bracket	
P66	T-BEMBB	DD-BEMBB	Power Pole Bottom Bracket	

# Encounter PowerBeam Installation Instructions

Item	Replacement Part Number	Circle Sheet Part Number	Description	Image
P67	A-PPCP	RA-PPCP	Power Pole Coupler	
P68	A-PPSMX68	RA-PPSMX68	Power Pole Top Shell	
P69	A-PPCV	RA-PPCV	Power Pole Cover	
P70	DD-BAWB-P	DD-BAWB-P	Beam Wall Anchor Bracket	
P71	TSP838-A	TSP838-A	#8 x 3/8" long Pan Head Drilling Screw	
P72	DD-BPFOOT-P	DD-BPFOOT-P	Post Foot	
P73	RH-0079485-I	RH-0079485	Cam Bushings	
P74	RH-26228786	RH-26228786	Double Head Anchor Pin (2.677" long)	
P75	T-SEPBSB	DD-SEPBSB	Mid-Mount Support Bracket	
P76	RH-MSZPP103212B	RH-MSZPP103212	#10-32 x 1/2" Pan Head Screw	

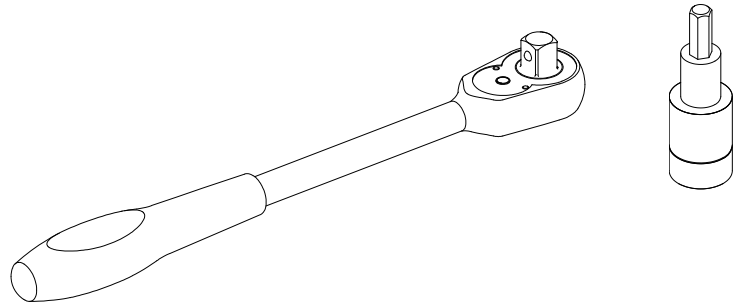
# Encounter PowerBeam Installation Instructions

Item	Replacement Part Number	Circle Sheet Part Number	Description	Image
P77	A-PPCS	RA-PPCS	Ceiling Shroud	
P78	A-PPMS	RA-PPMS	Magnetic Strip	
P79	A-PPGAS	RA-PPGAS	Plastic Retainer	
P80	T-BOC	RE-BOC	Blank Outlet Cover	

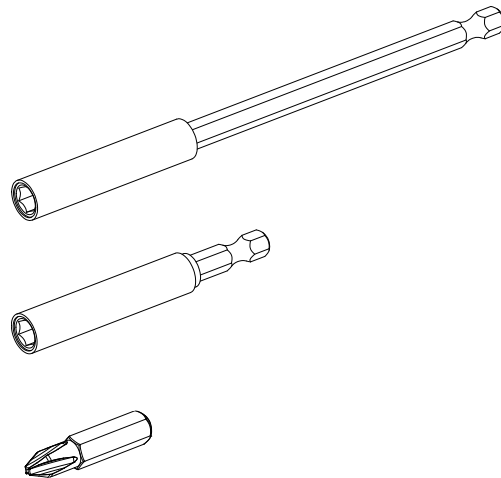
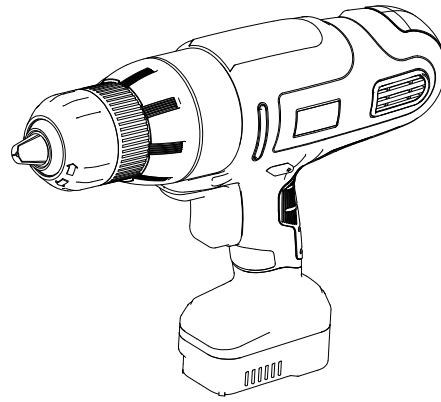
# Encounter PowerBeam Installation Instructions

## Recommended Tools:

Small ratchet with:  
3/16" Hex Tip  
5/32" Hex Tip



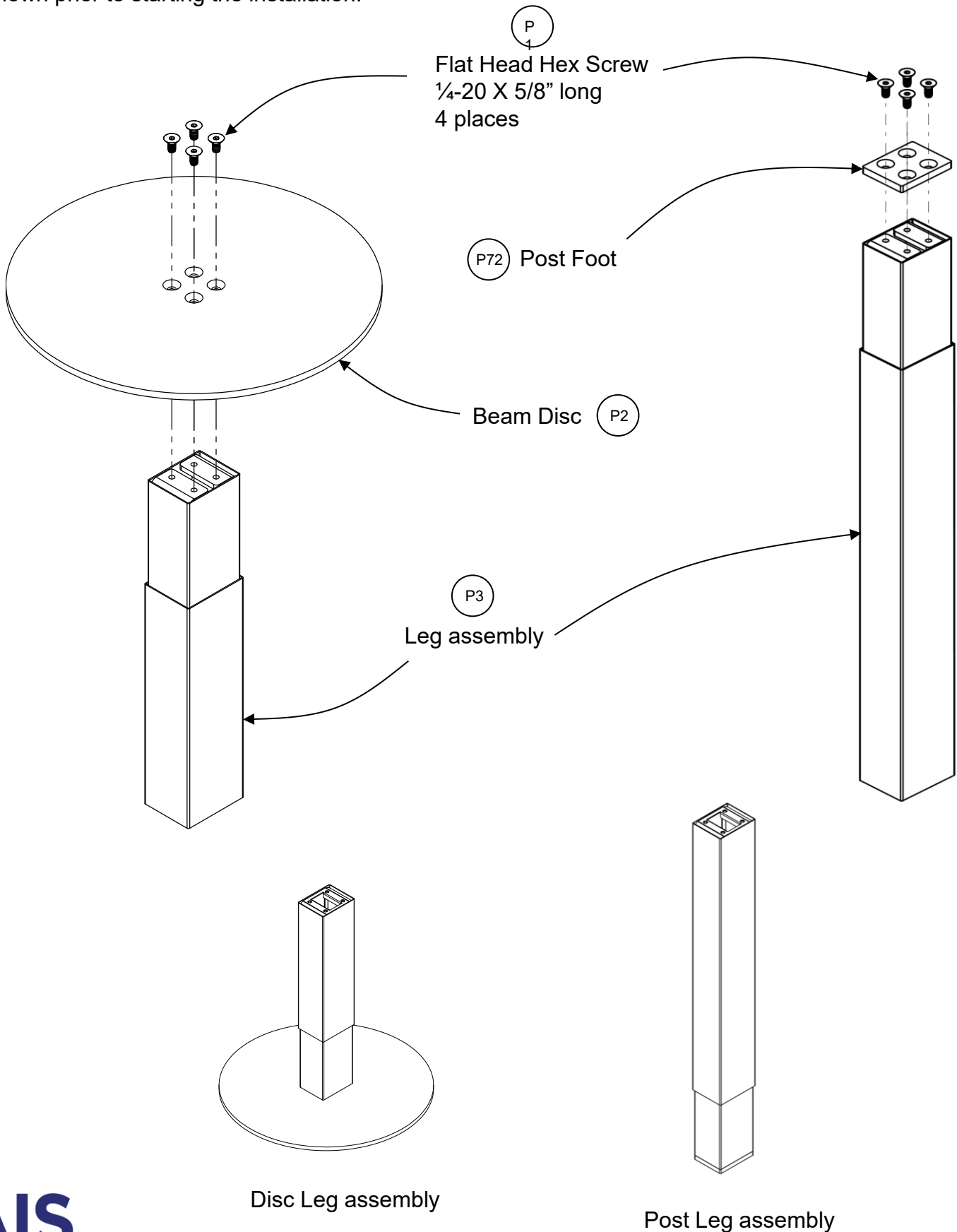
Cordless Drill with:  
6" Magnetic Drill Extension  
3" Magnetic Drill Extension  
3/16" Hex Tip  
5/32" Hex Tip  
4mm Hex Tip  
6mm Hex Tip  
#2 Phillip Bit



# Encounter PowerBeam Installation Instructions

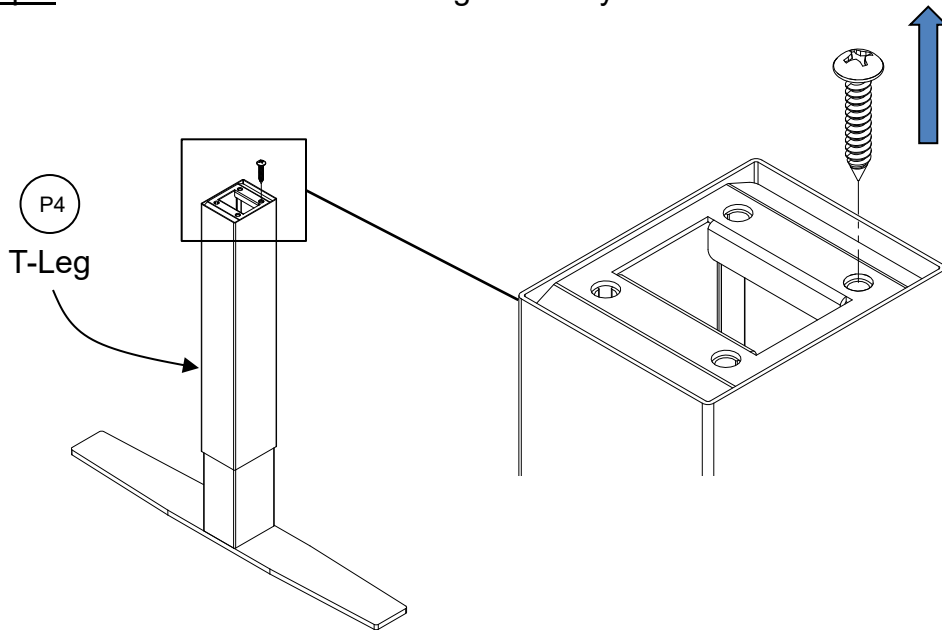
Note:

If using disc legs or post legs, you must assemble as shown prior to starting the installation.

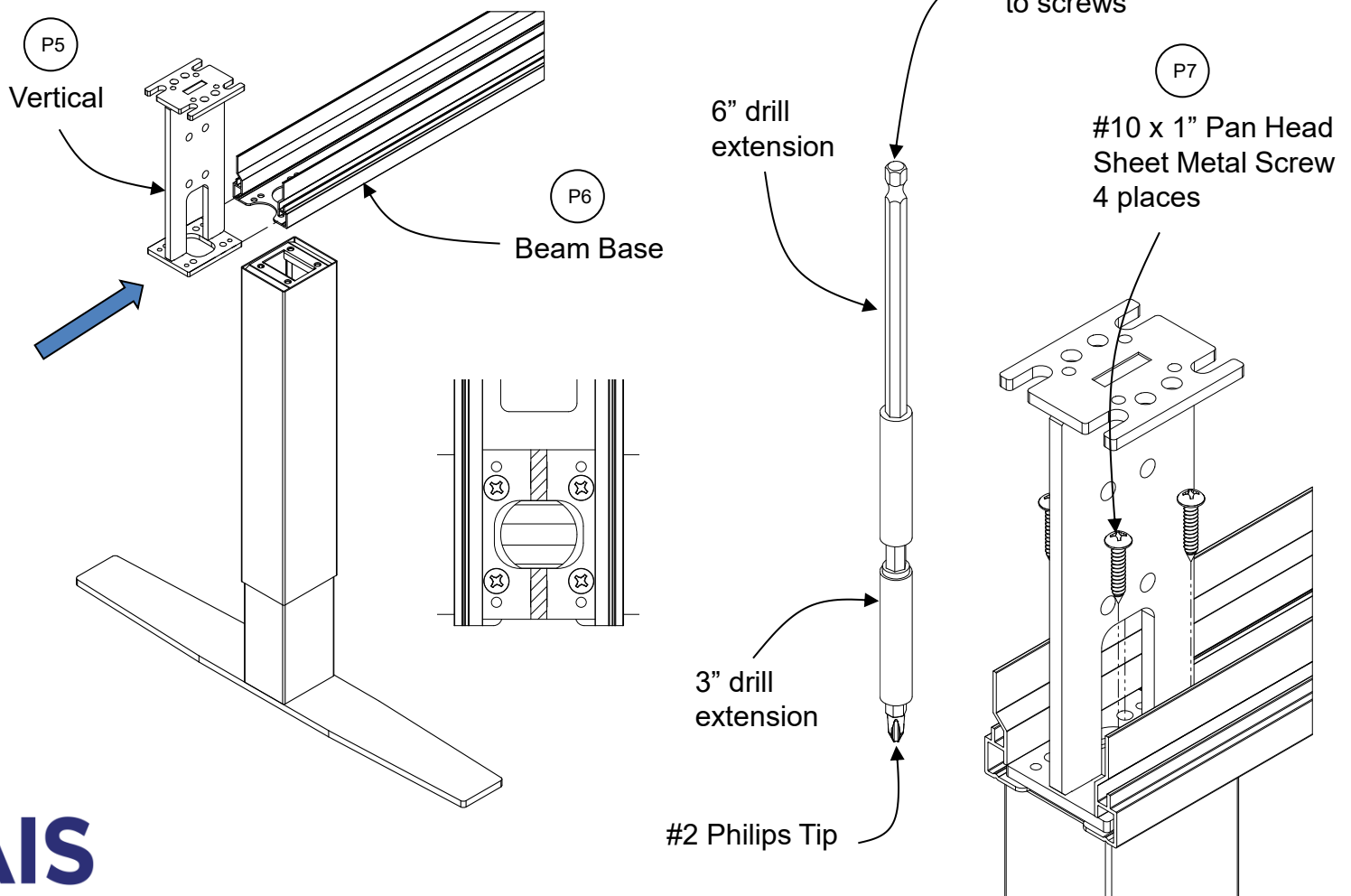


# Encounter PowerBeam Installation Instructions

Step 1: Remove one screw from leg assembly.



Step 2a: Slide Vertical into Beam Base, align holes and use (4) #10 x 1" pan head sheet metal screws to secure each leg. (End leg shown. See step 2b for shared leg configuration)

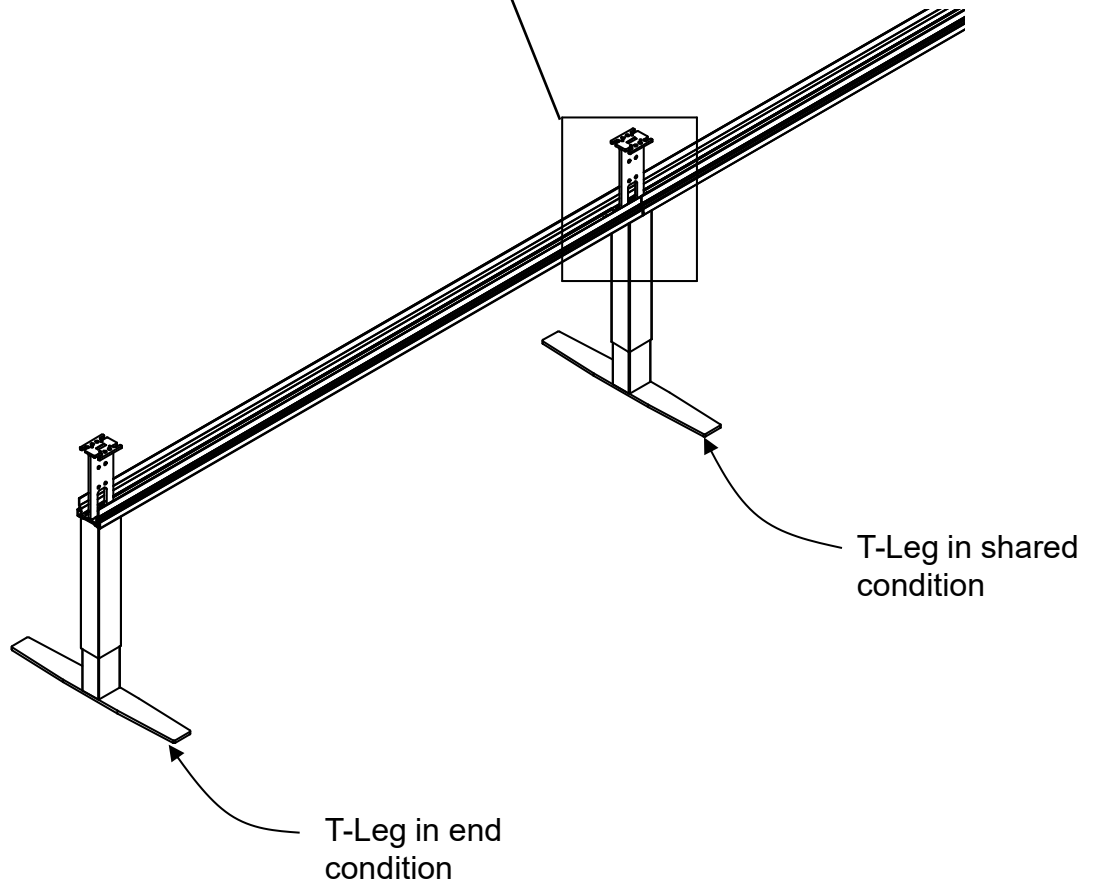
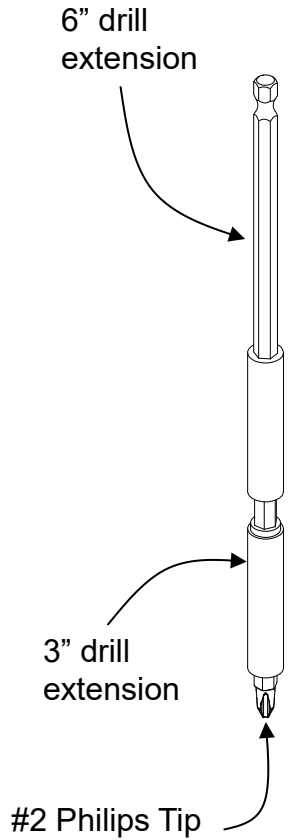
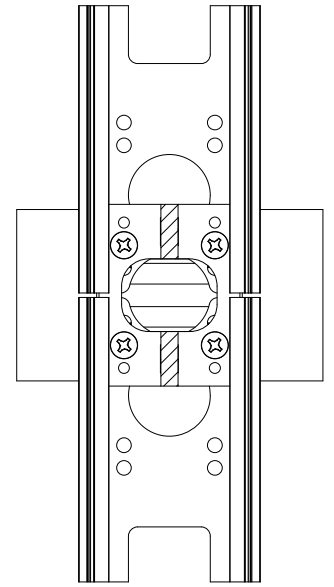
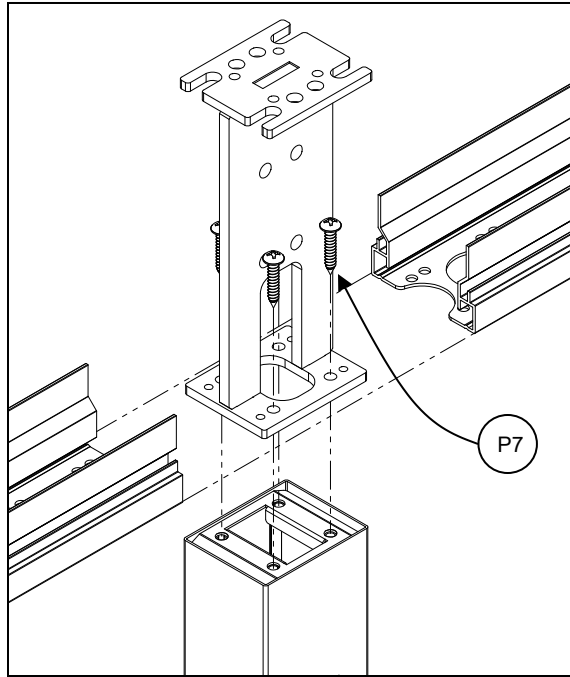


# Encounter PowerBeam Installation Instructions

Step 2b: Slide Vertical into Beam Base, align holes and use (4) **#10 x 1" pan head sheet metal screws** to secure each leg.

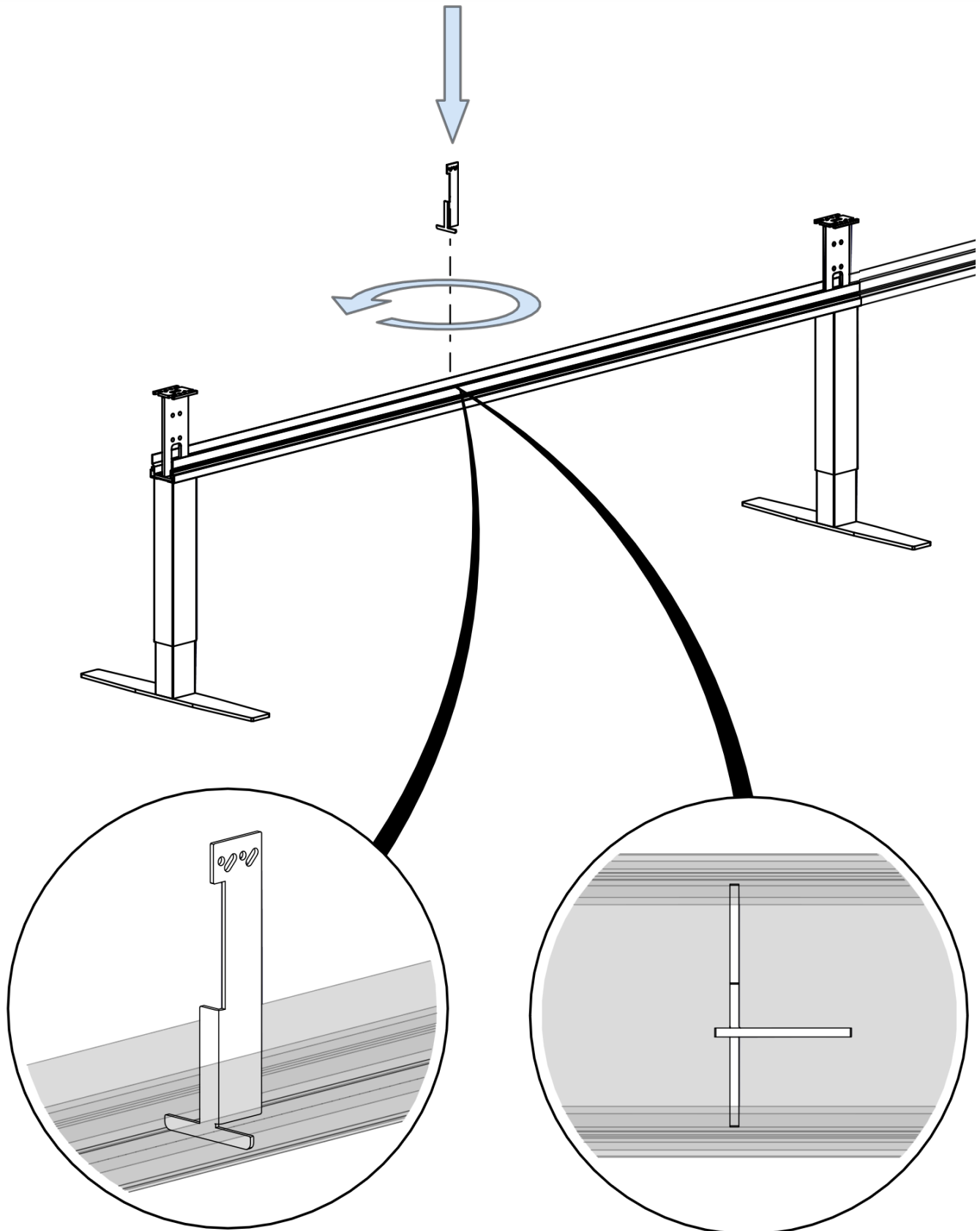


**Assembly Tip:**  
Stack drill extensions  
as shown for easier  
access to screws



# Encounter PowerBeam Installation Instructions

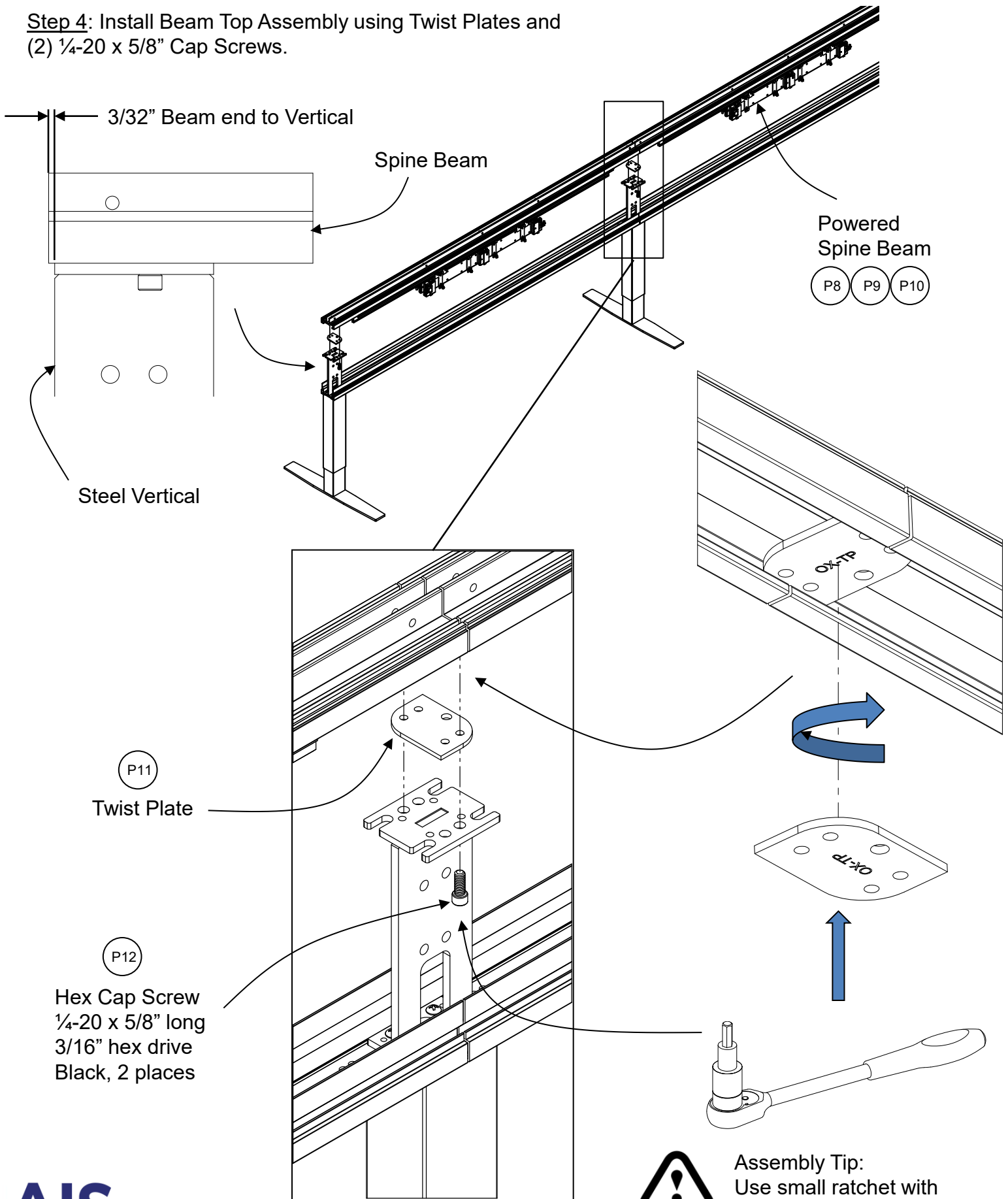
Step 3 (for sizes 54W and up only): Place beam support bracket in Beam Base channel. Bracket will be secured in place in Step 5.



Top View

# Encounter PowerBeam Installation Instructions

Step 4: Install Beam Top Assembly using Twist Plates and (2) 1/4-20 x 5/8" Cap Screws.



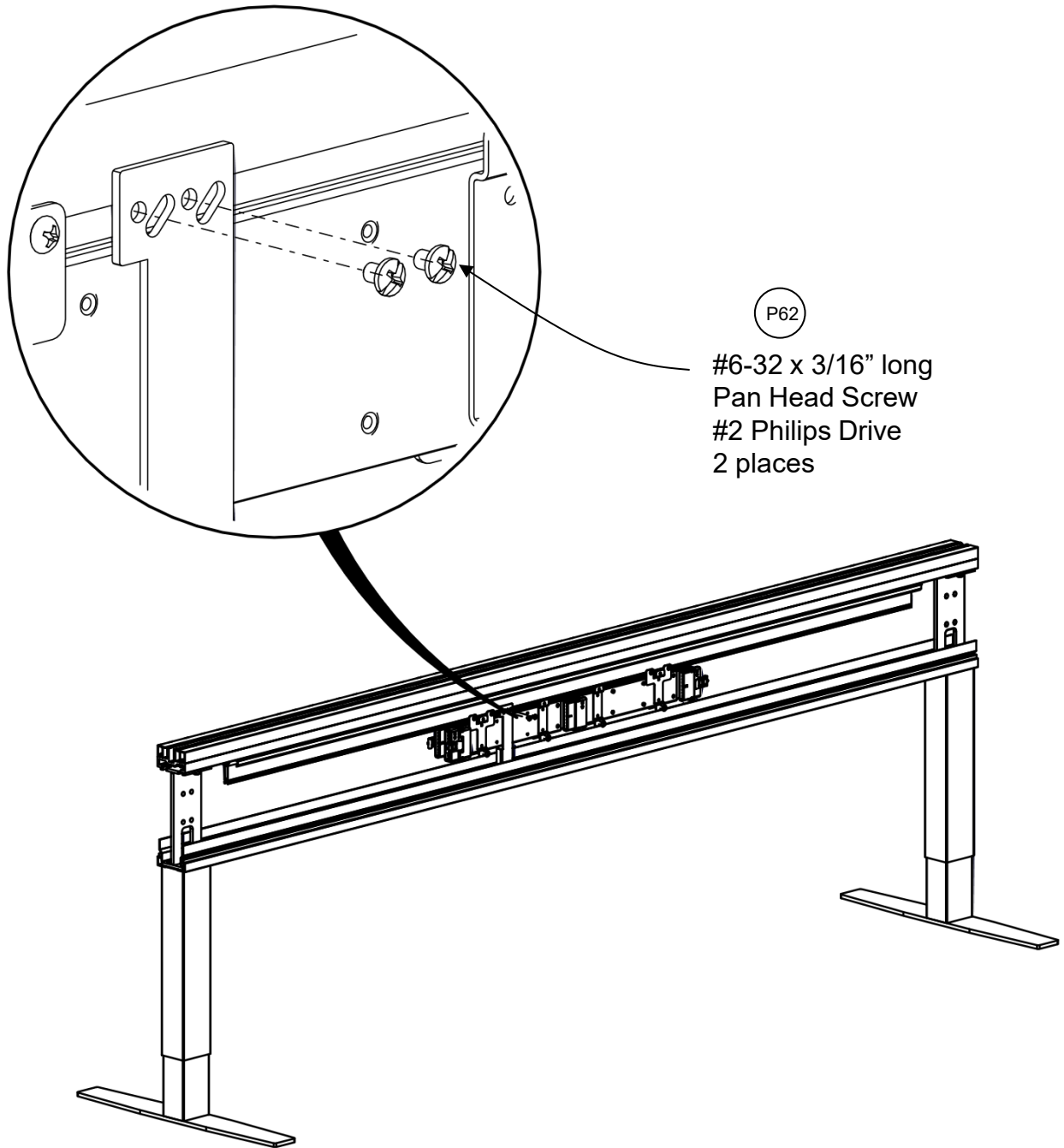
**AI**S

www.ais-inc.com

T-DTDPBINSTALL Rev 05.13.2026

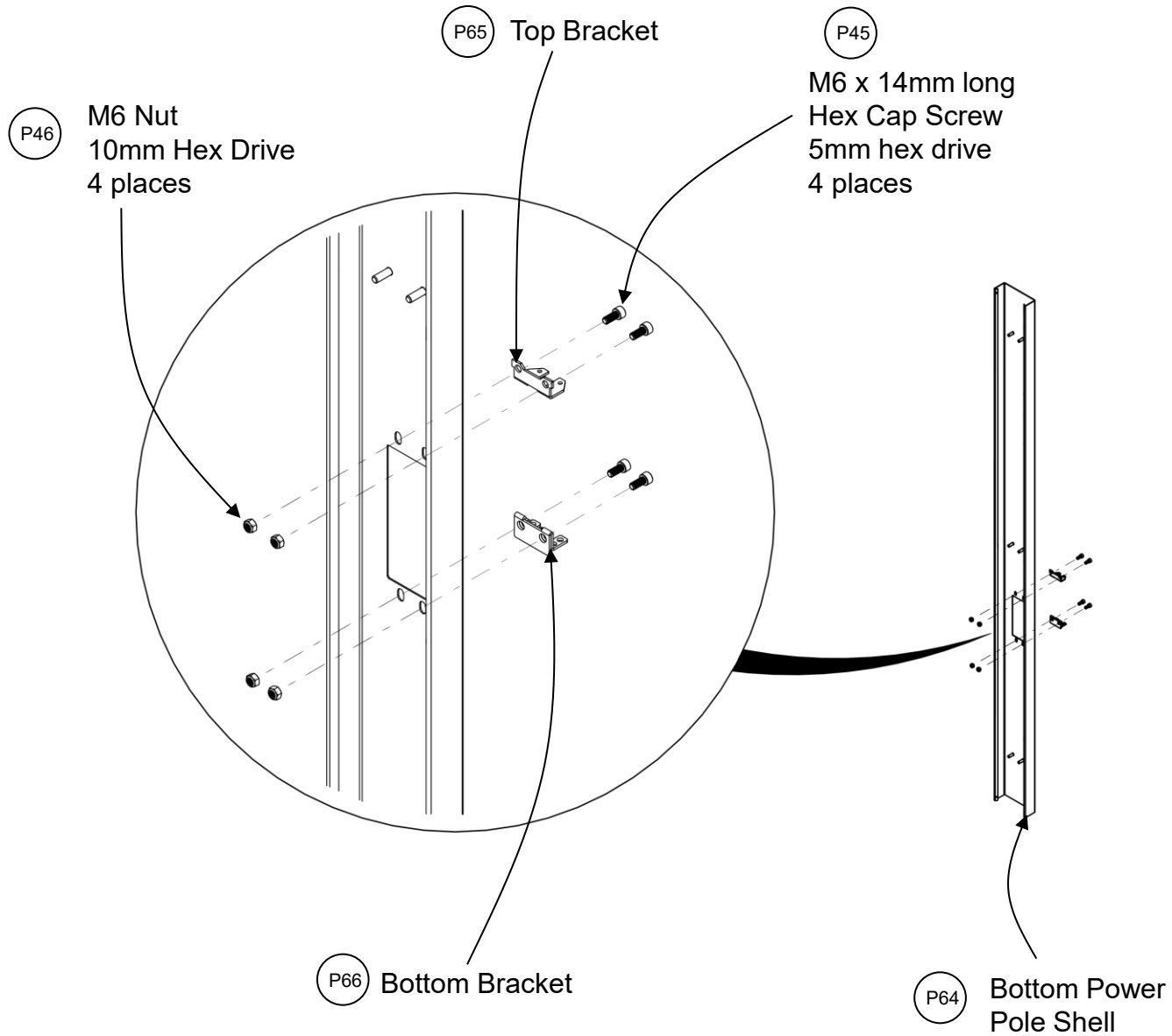
# Encounter PowerBeam Installation Instructions

Step 5 (for sizes 72W and up only): Secure Support Bracket to groove in the Beam Top Assembly.



# Encounter PowerBeam Installation Instructions

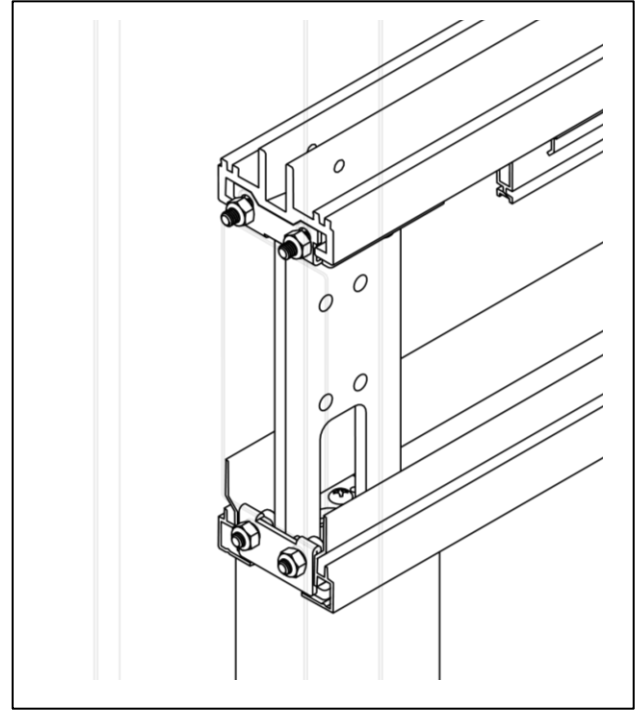
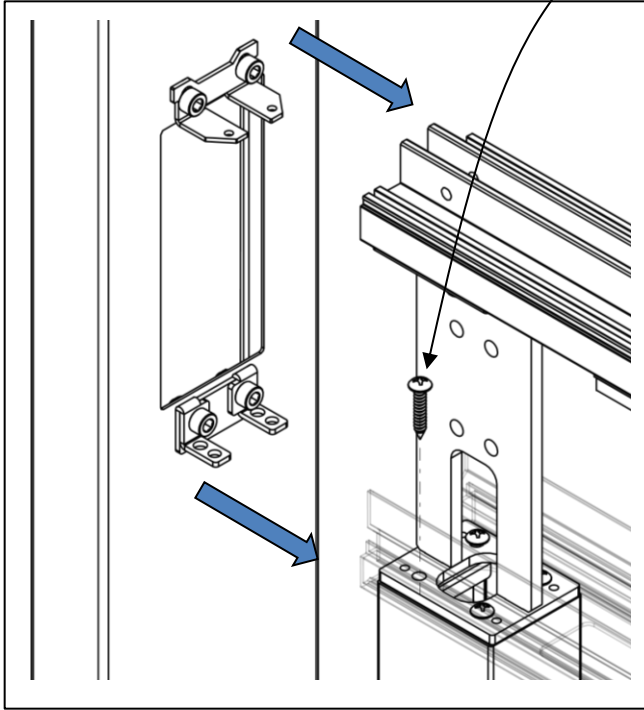
Step 6a (Optional: End mount Power Pole): Loosely install top and bottom power pole brackets to the bottom power pole shell using M6 cap screws and nuts.



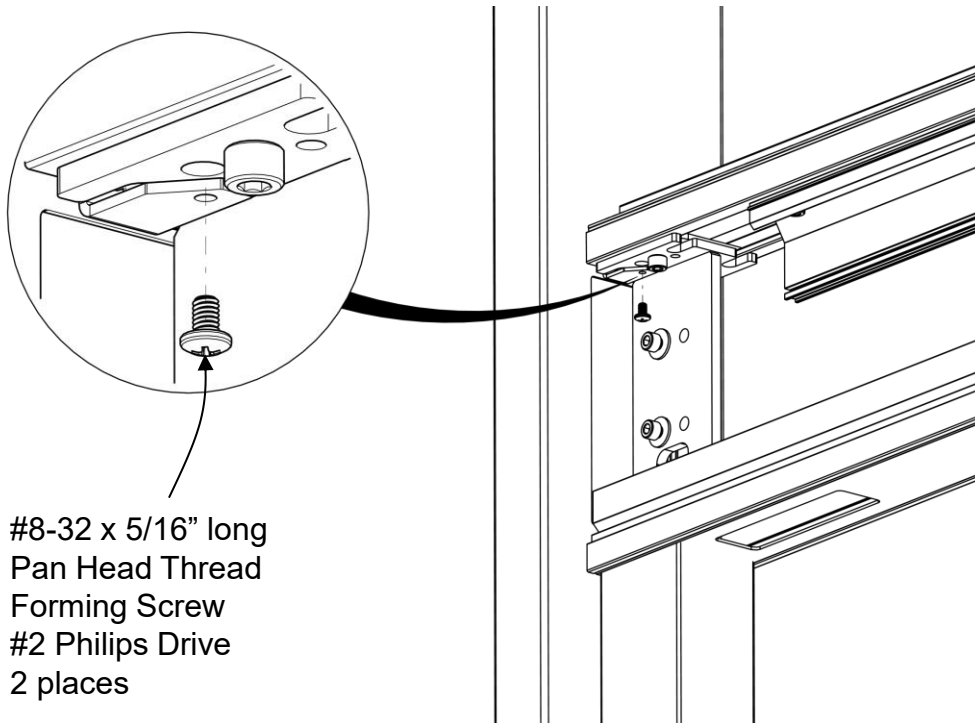
# Encounter PowerBeam Installation Instructions

**Step 6b:** Remove (2) #10 pan head screws from beam vertical. Align power pole brackets to beam and re-install #10 pan head screws.

#10 x 1" Pan Head Sheet Metal Screw  
4 places P7



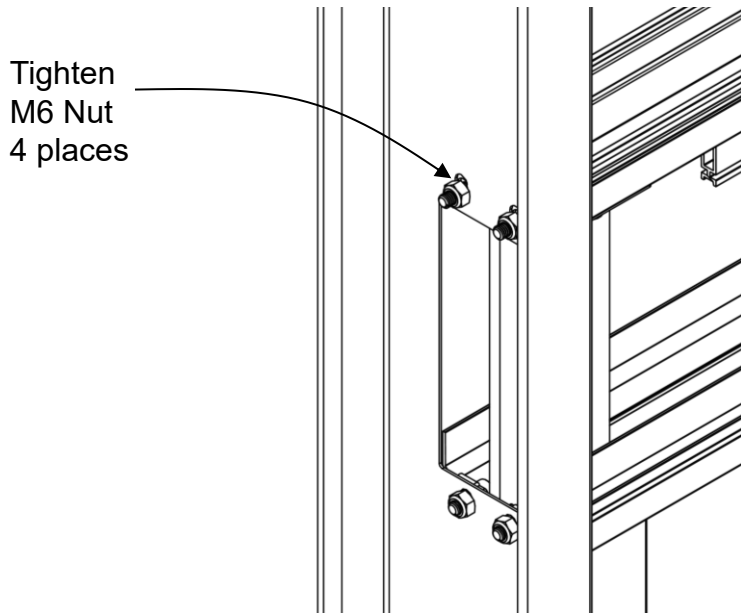
**Step 6c:** Secure top bracket to beam vertical using (2) #8-32 x 5/16" pan head screws (labeled C-Screw).



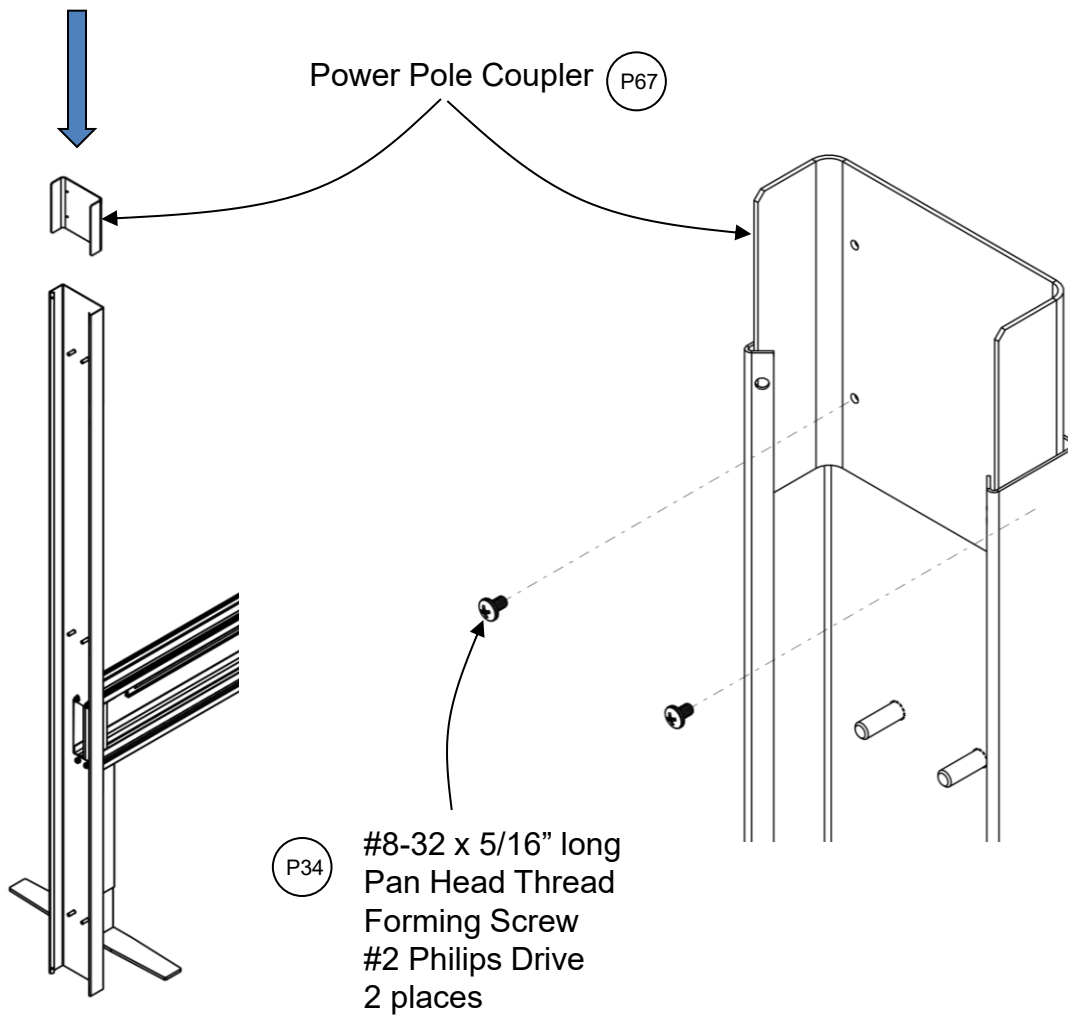
P34 #8-32 x 5/16" long Pan Head Thread Forming Screw  
#2 Philips Drive  
2 places

# Encounter PowerBeam Installation Instructions

Step 6d: Tighten (4) M6 Nuts to firmly secure power pole shell to beam

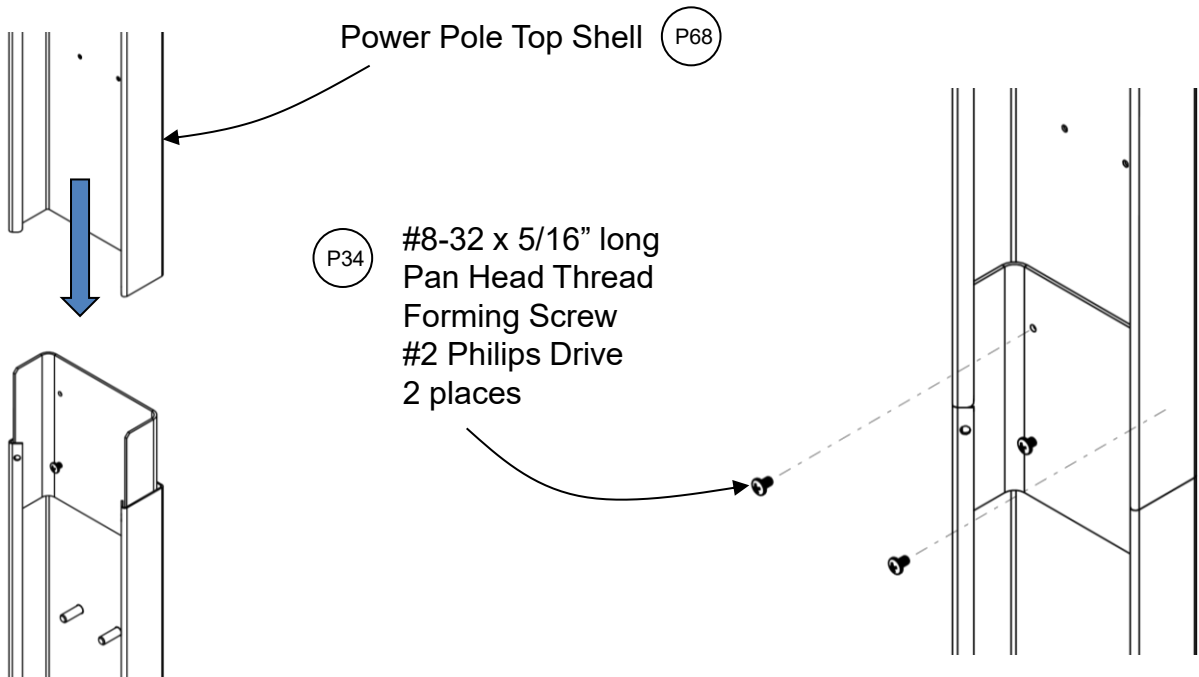


Step 6e: Install power pole coupler to shell using (2) #8-32 x 5/16" pan head screws (labeled C-Screw).

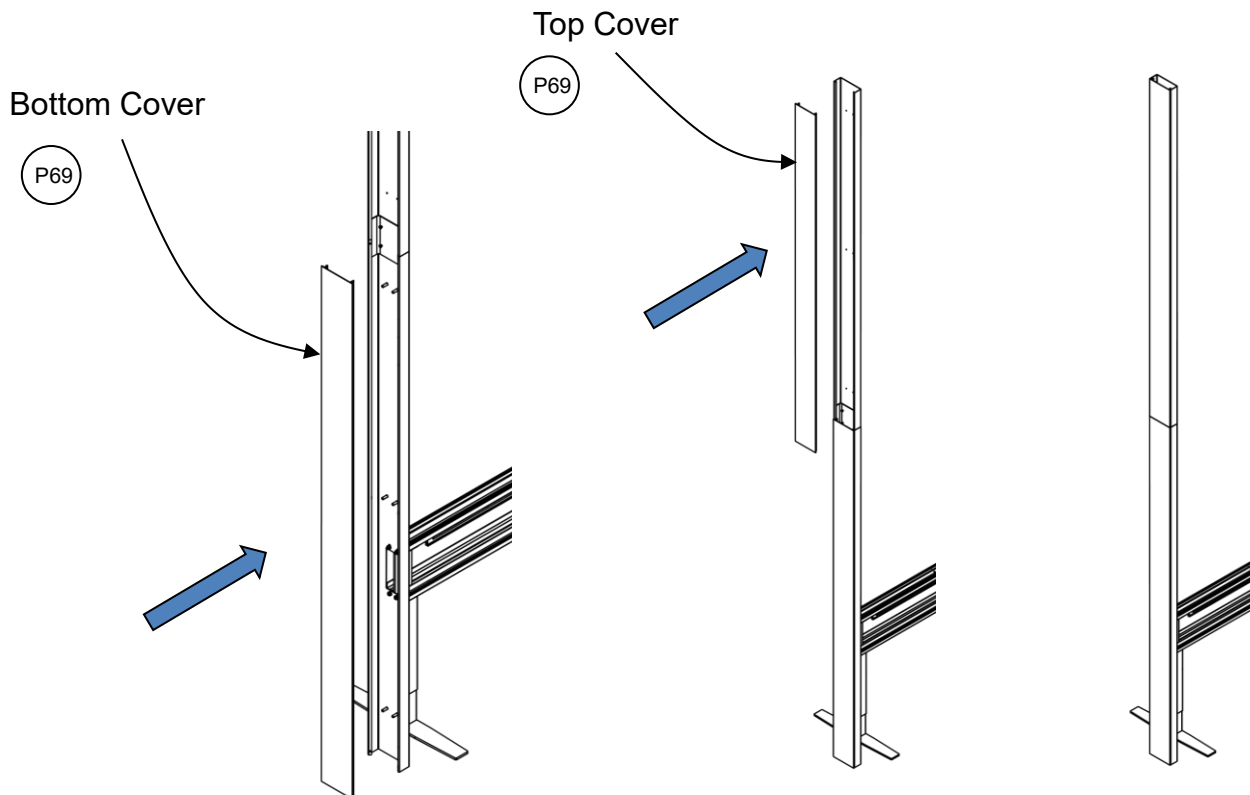


# Encounter PowerBeam Installation Instructions

Step 6f: Install power pole top shell to coupler using (2) #8-32 x 5/16" pan head screws (labeled C-Screw).

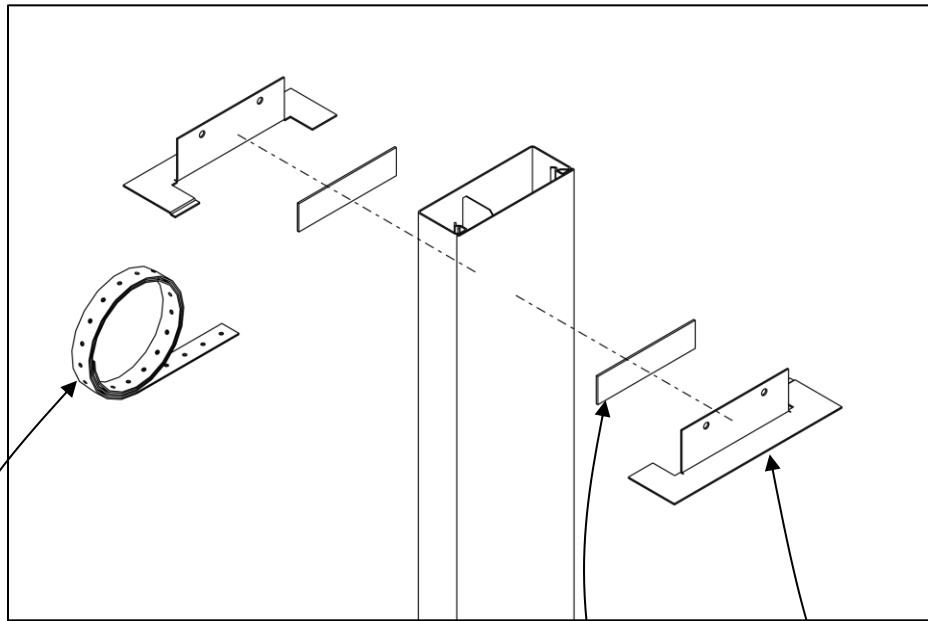


Step 6g: Snap on top and bottom power pole covers to shells.



# Encounter PowerBeam Installation Instructions

Step 6h: Install ceiling shrouds using magnetic strips and plastic retainer



P79

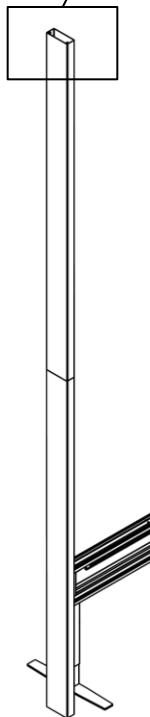
Plastic Retainer ties the pole to the ceiling grid.

Magnetic Strip  
2 places

P78

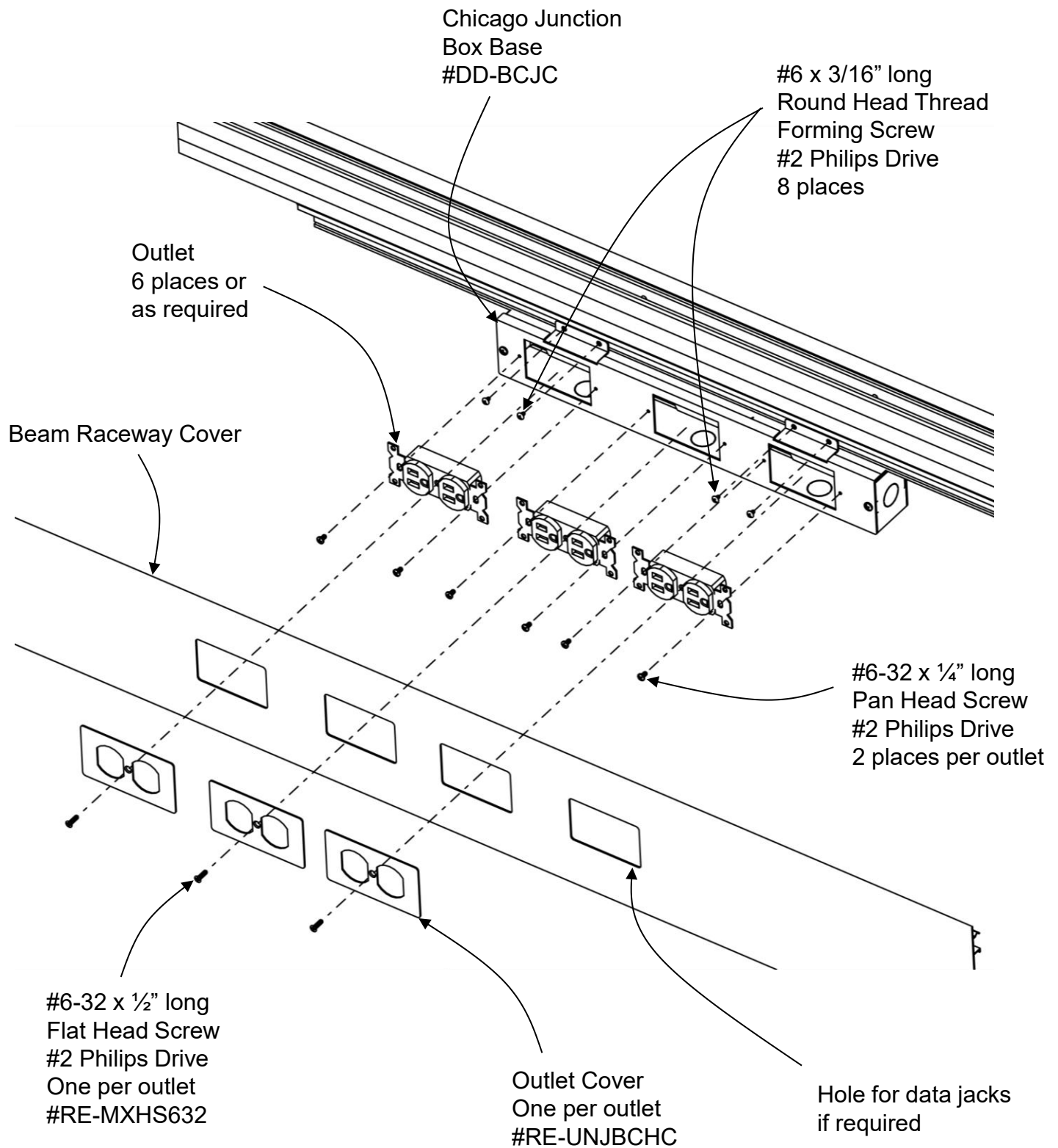
Ceiling Shroud  
2 places

P77



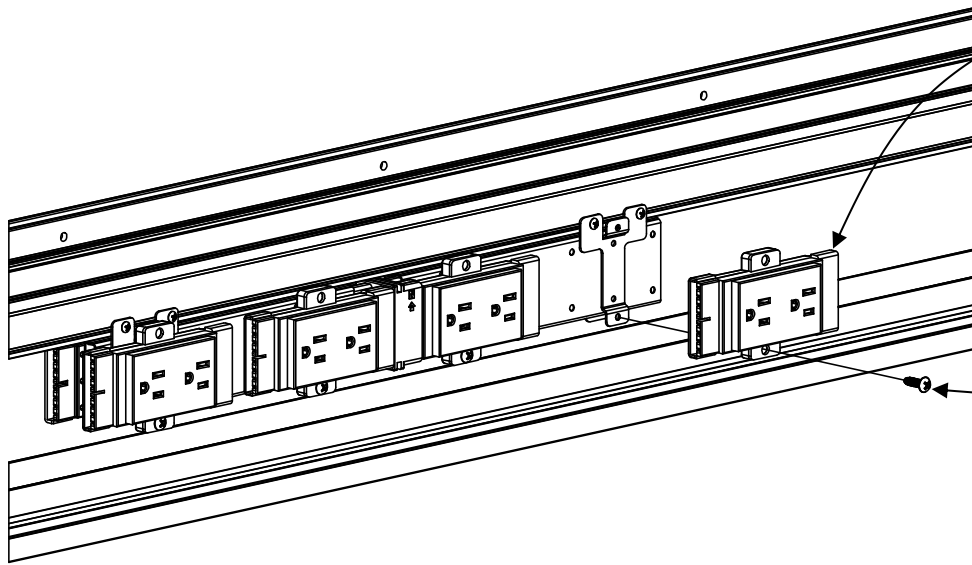
# Encounter PowerBeam Installation Instructions

Step 7a (for Chicago Power only): Install Chicago Power Box to Spine Beam.



# Encounter PowerBeam Installation Instructions

Step 7b (for standard outlets): Install Outlets to Beam per design specs using (1) 10-24 x 5/8" Pan Head Thread Cutting Screw



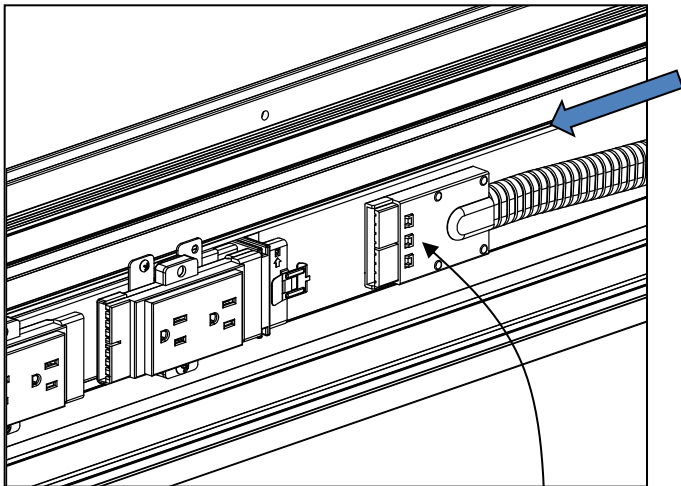
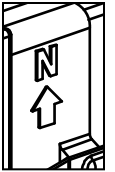
P13 P14  
Outlet

P15 Pan Head Thread Cutting Screw  
#10-24 x 5/8" long  
Phillips drive #2  
(1) Per outlet

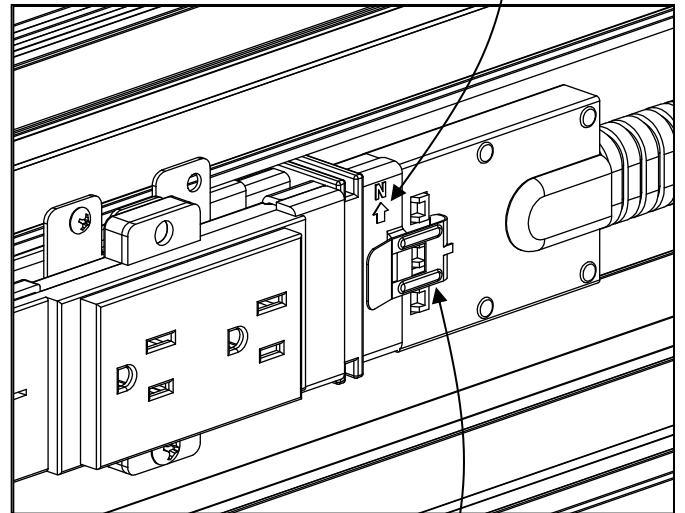
P16

Step 8: Plug Jumpers into powerway, making sure to fully engage locking clip!

Note UP arrow



Engage clip **HERE**



Fully Engage Locking clip



**Note: If clip is missing, contact AIS Customer Service for replacement.**

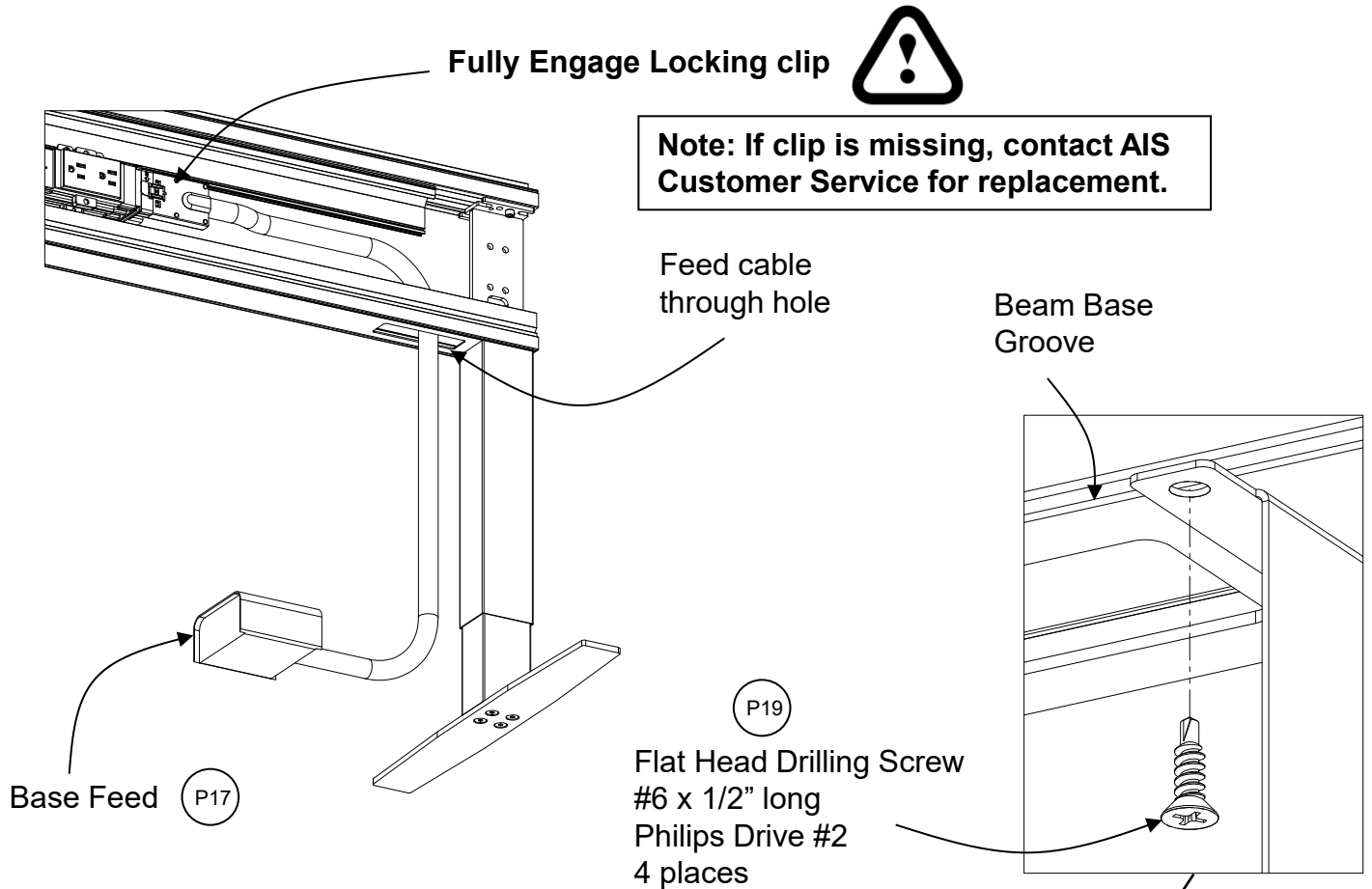
**AIS**

www.ais-inc.com

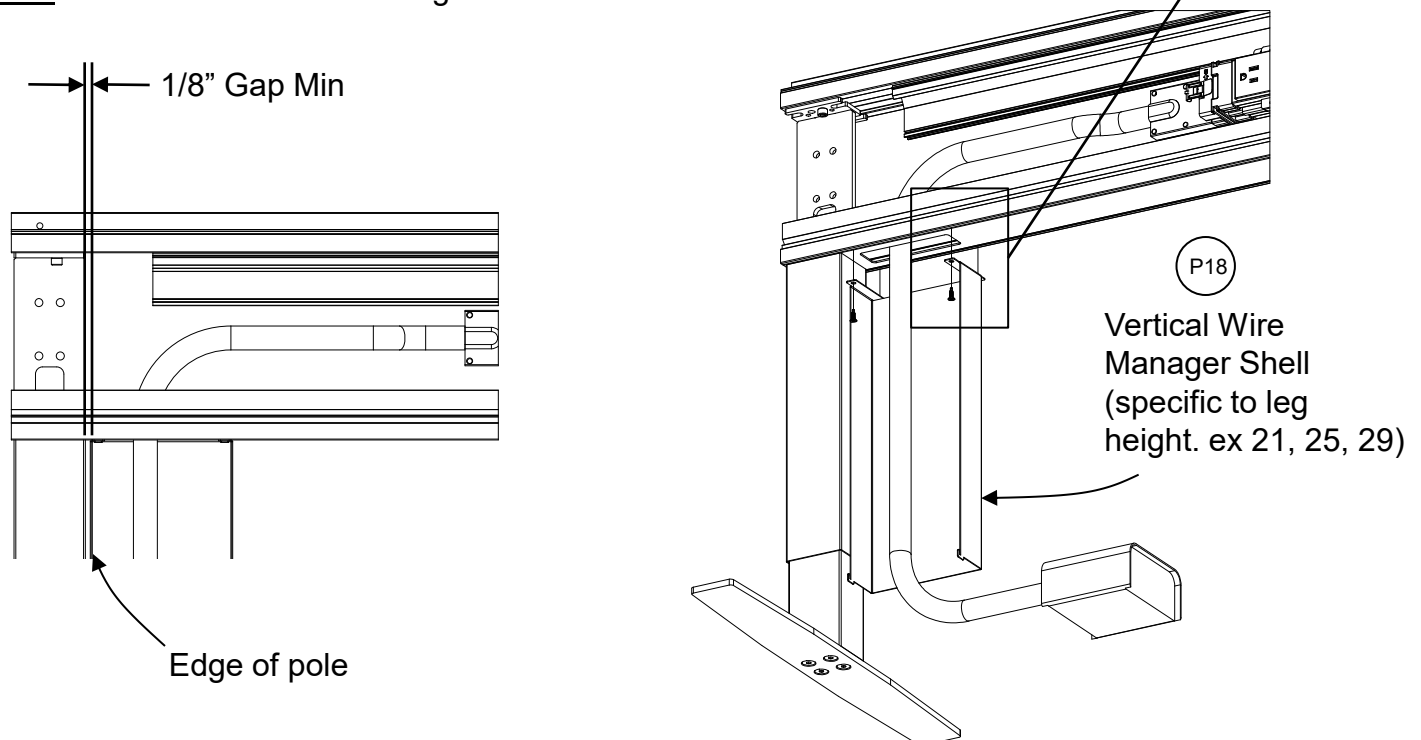
T-DTDPBINSTALL Rev 05.13.2026

# Encounter PowerBeam Installation Instructions

## Step 9: Install Base Feed.

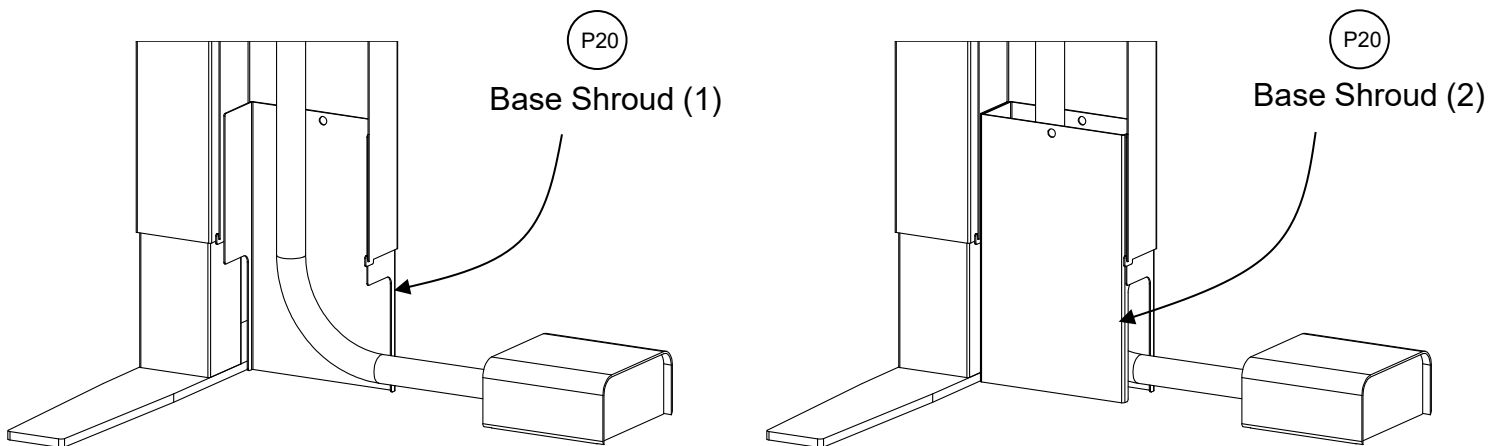


## Step 10a: Install Vertical Wire Manager Shell.

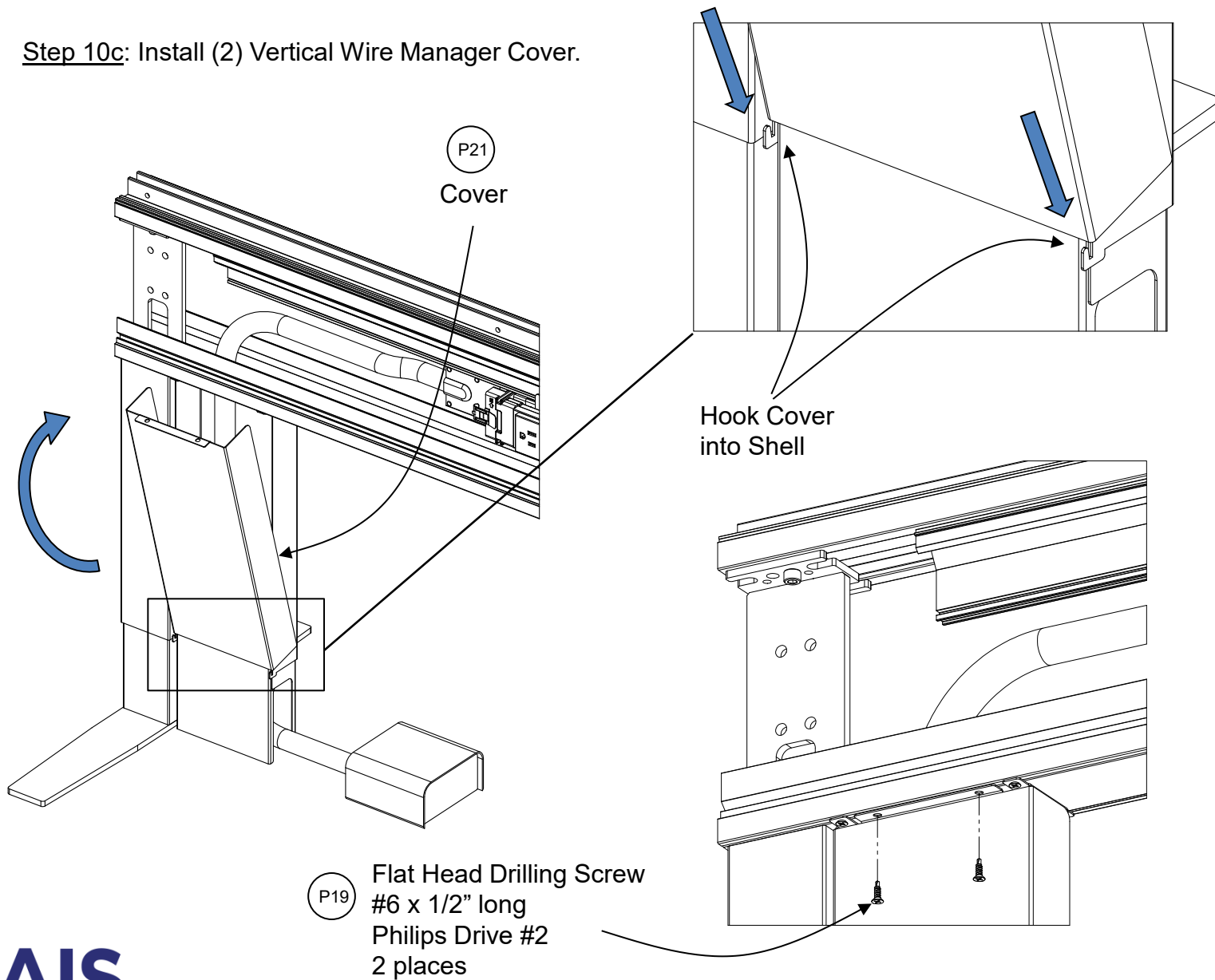


# Encounter PowerBeam Installation Instructions

Step 10b: Install (2) Vertical Wire Manager Base Shroud.

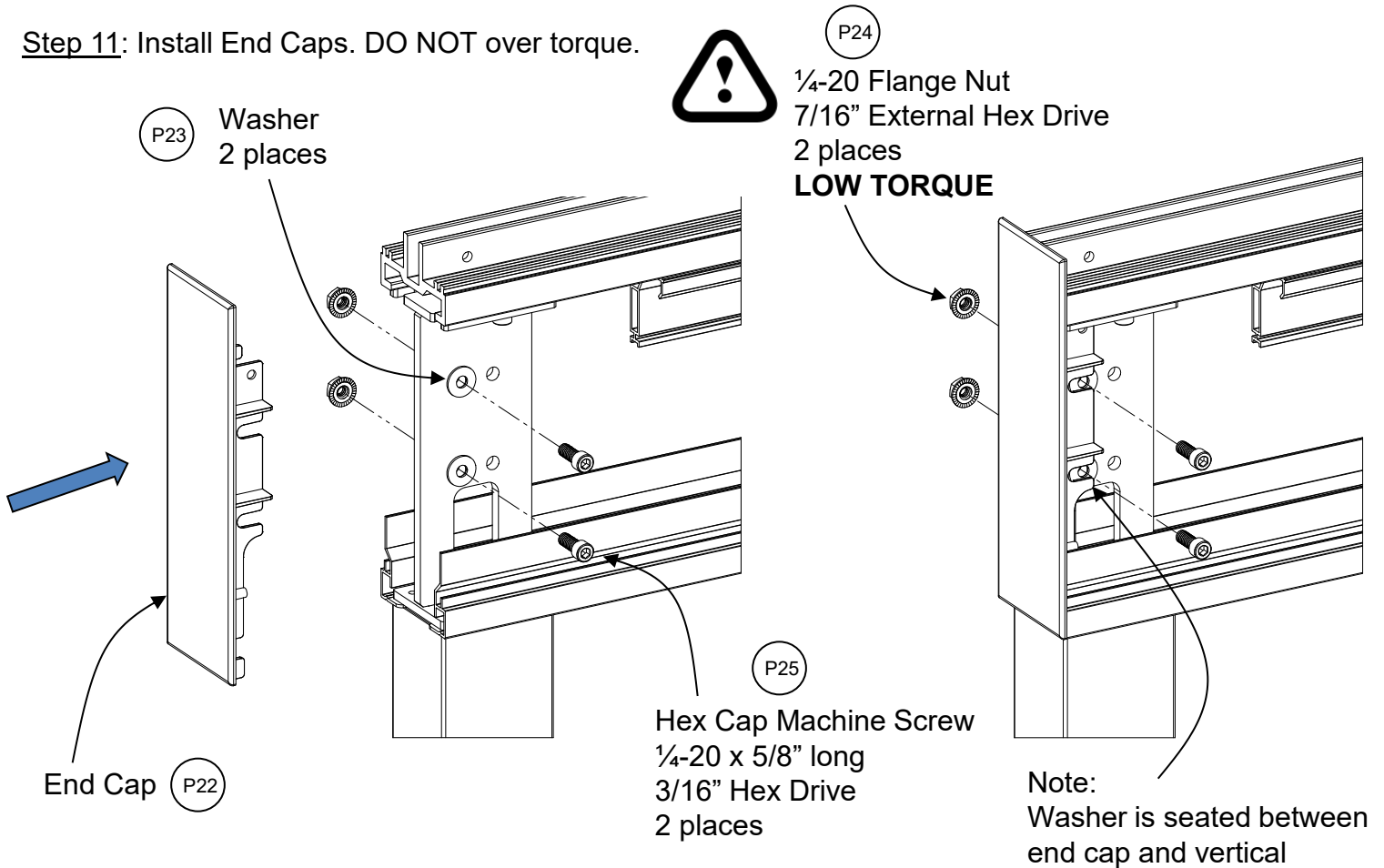


Step 10c: Install (2) Vertical Wire Manager Cover.

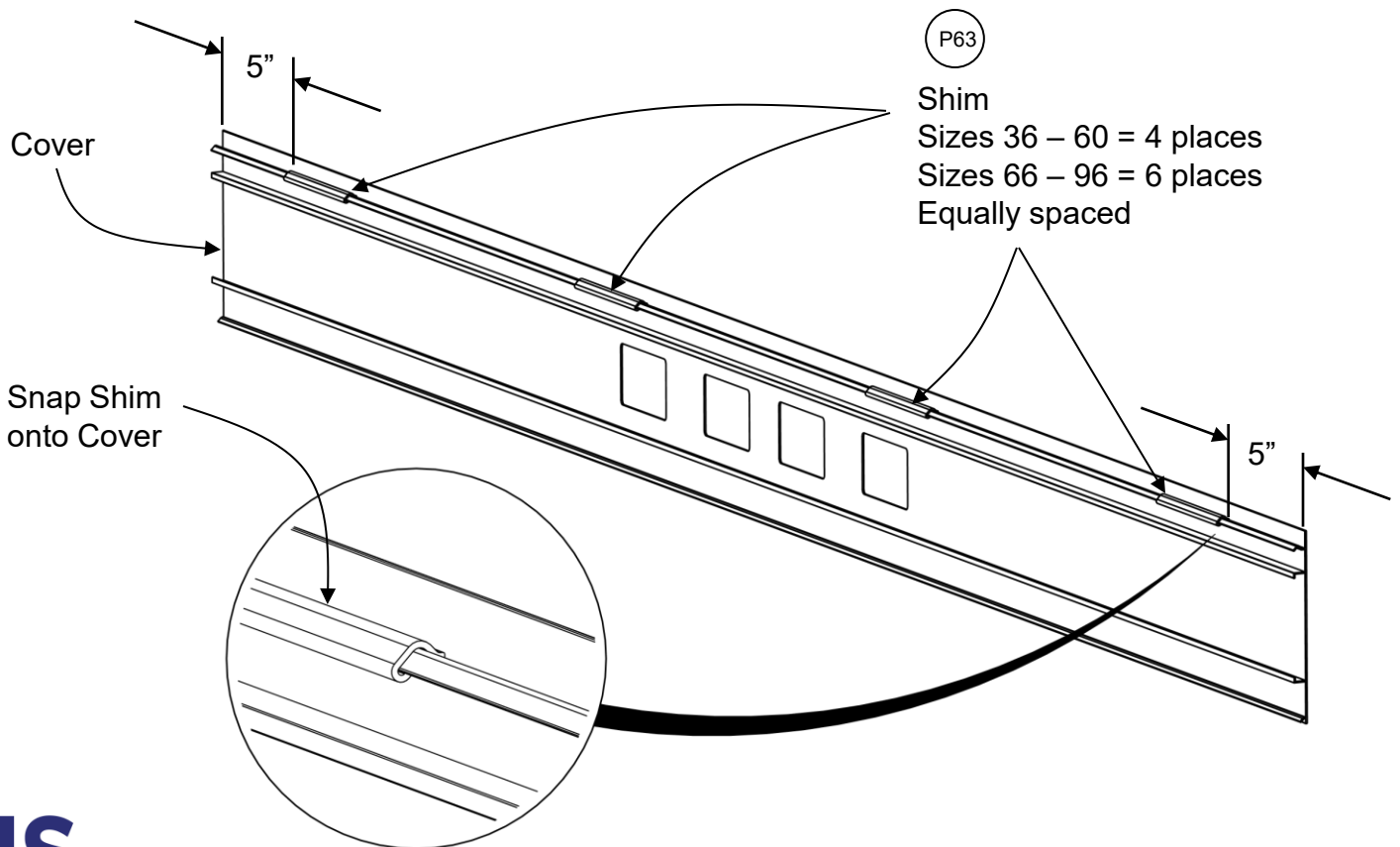


# Encounter PowerBeam Installation Instructions

**Step 11:** Install End Caps. DO NOT over torque.

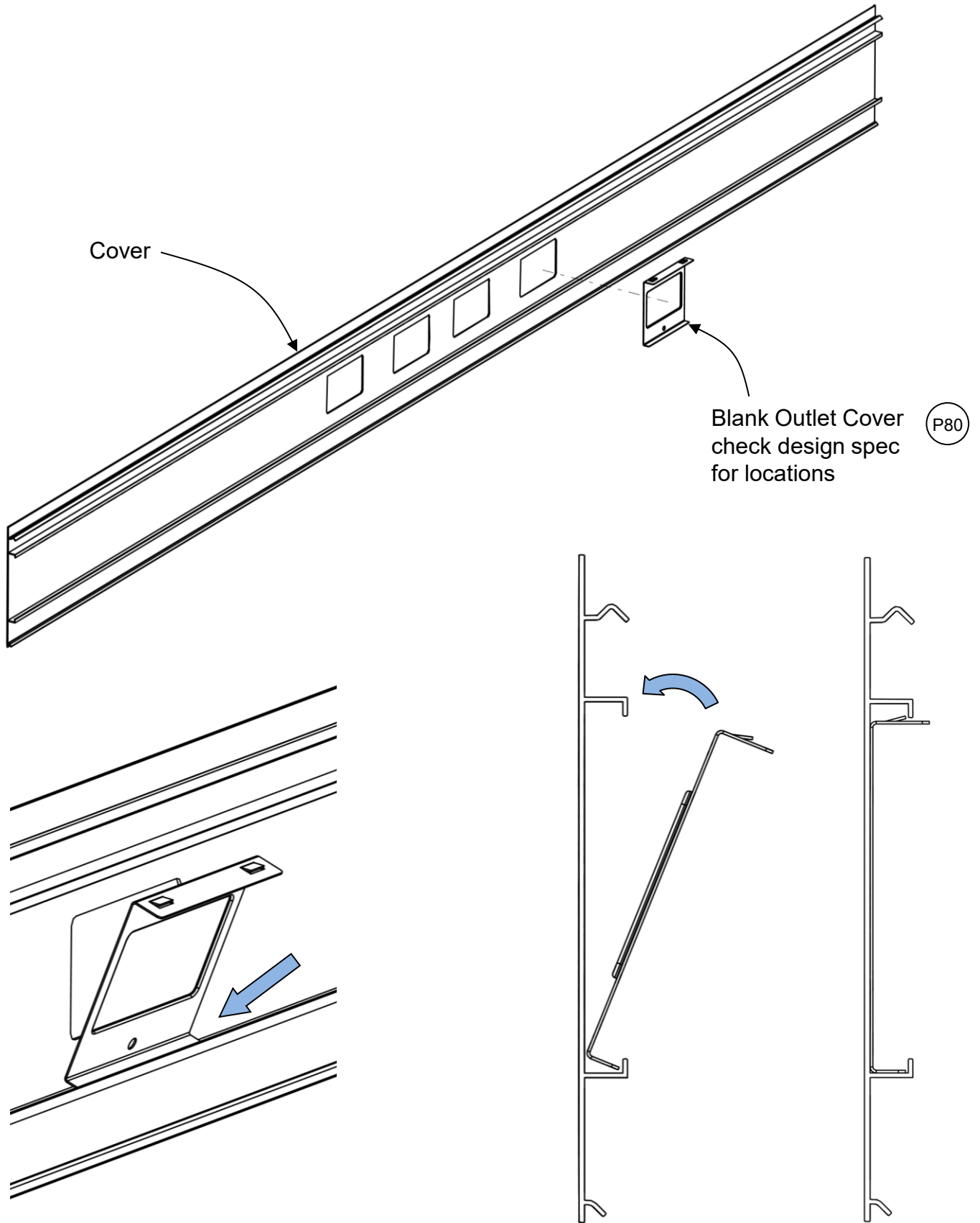


**Step 12:** Install shims onto covers.



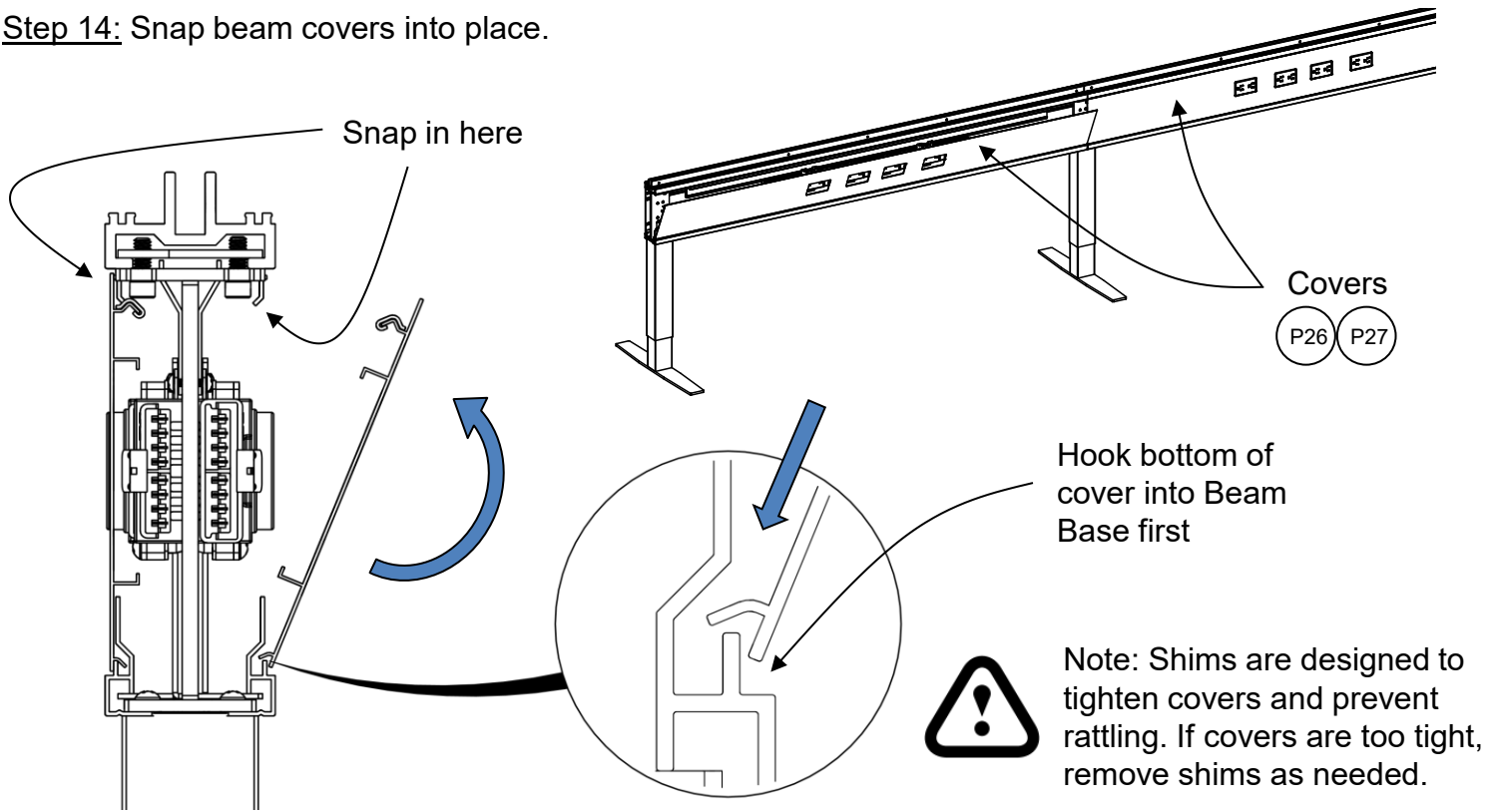
# Encounter PowerBeam Installation Instructions

Step 13: If required, install outlet covers per design spec.

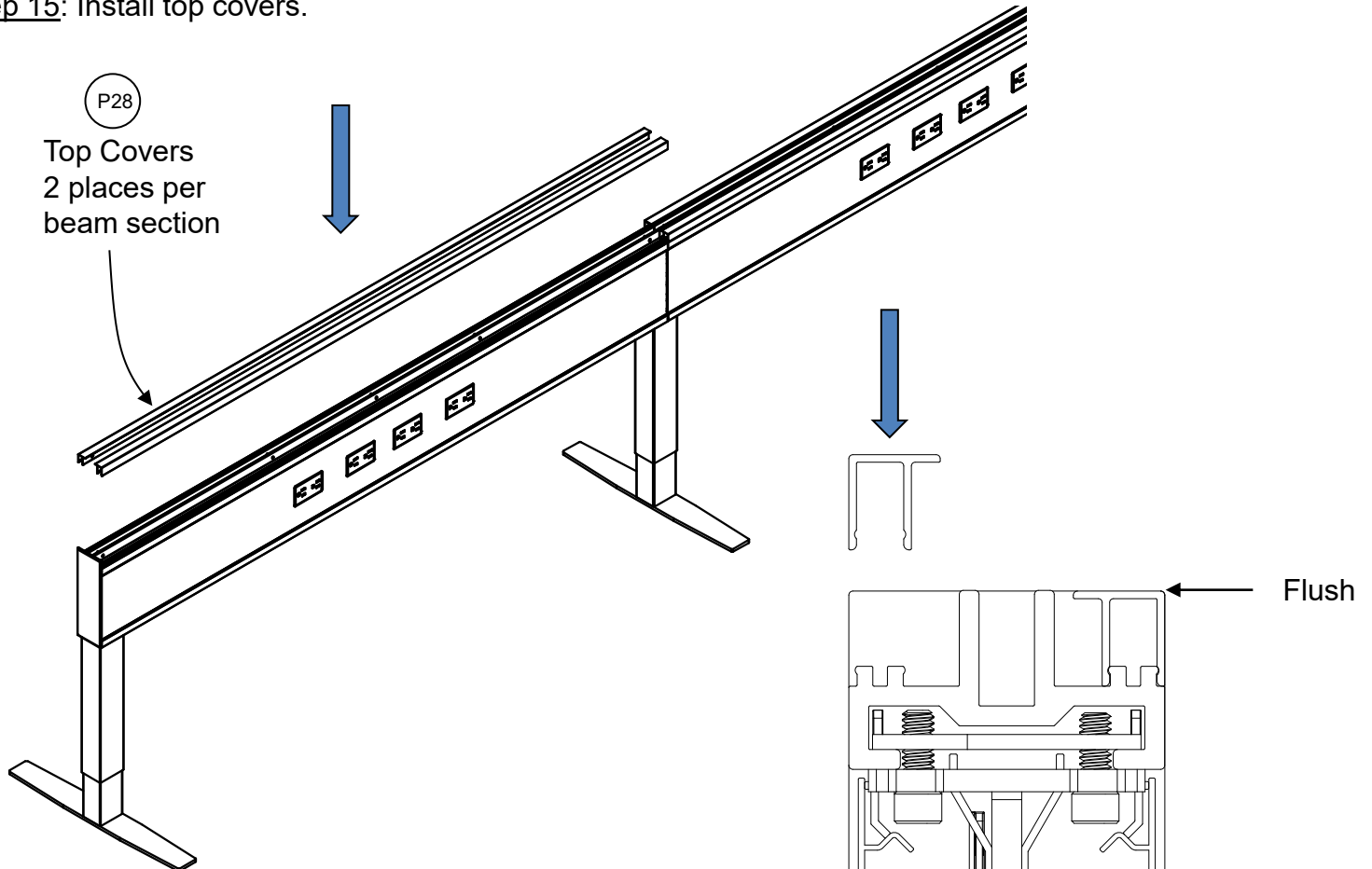


# Encounter PowerBeam Installation Instructions

Step 14: Snap beam covers into place.

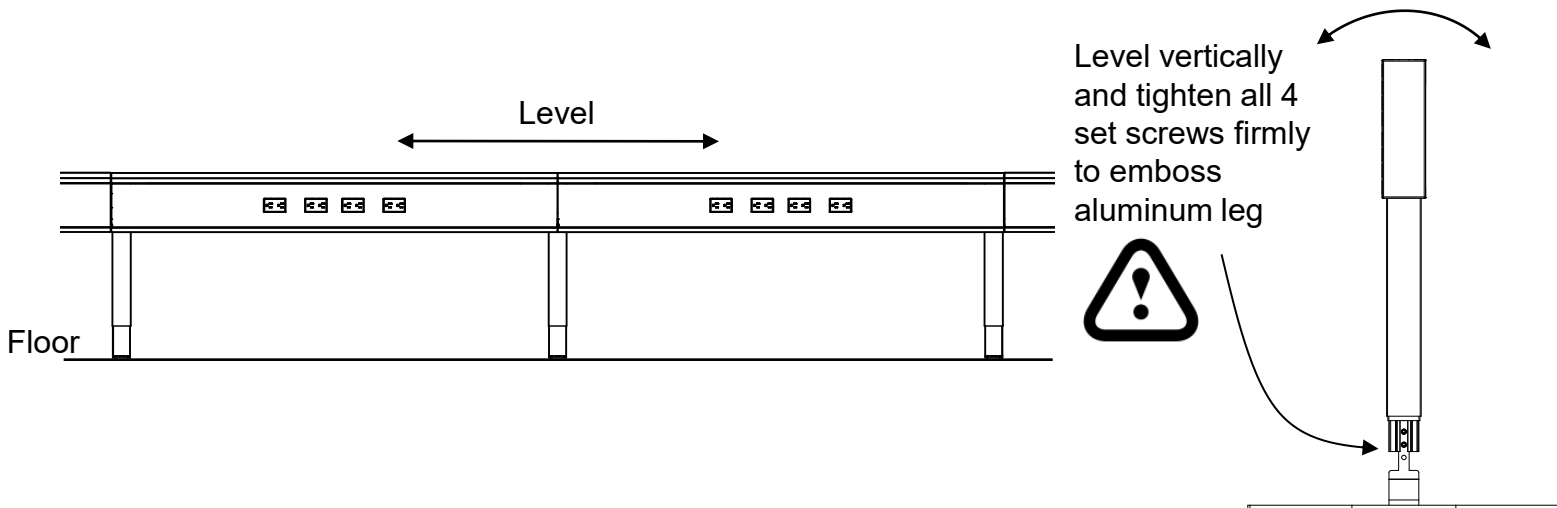
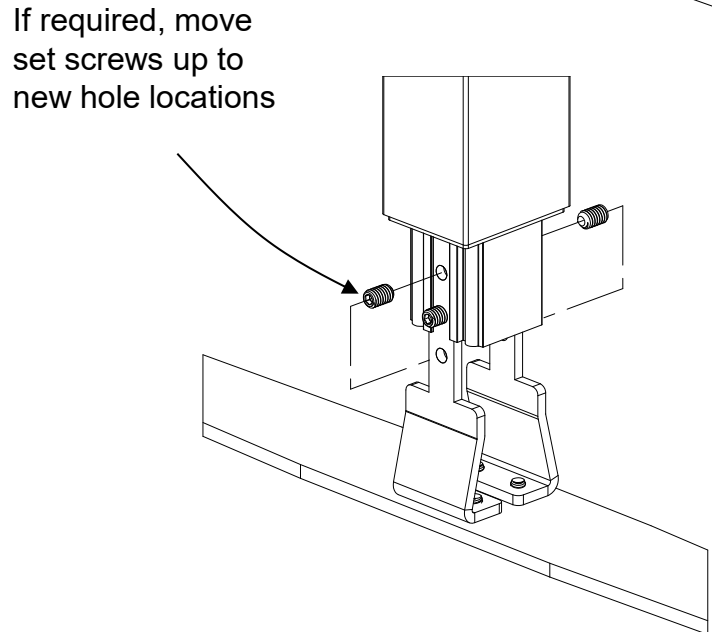
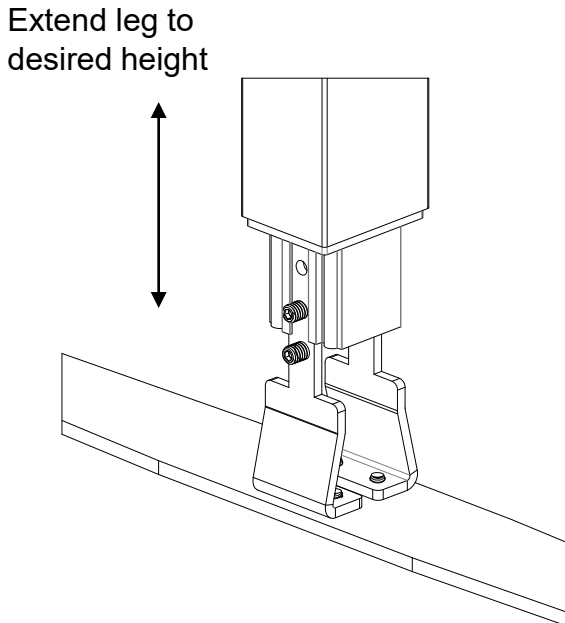
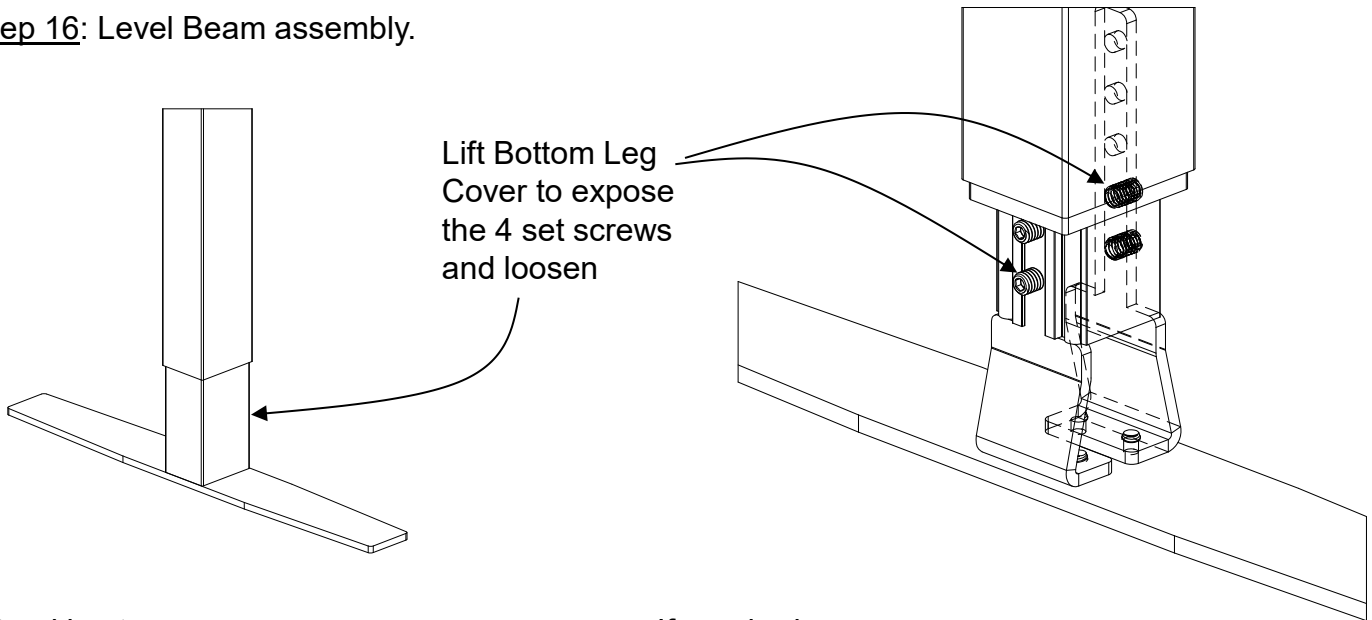


Step 15: Install top covers.



# Encounter PowerBeam Installation Instructions

## Step 16: Level Beam assembly.



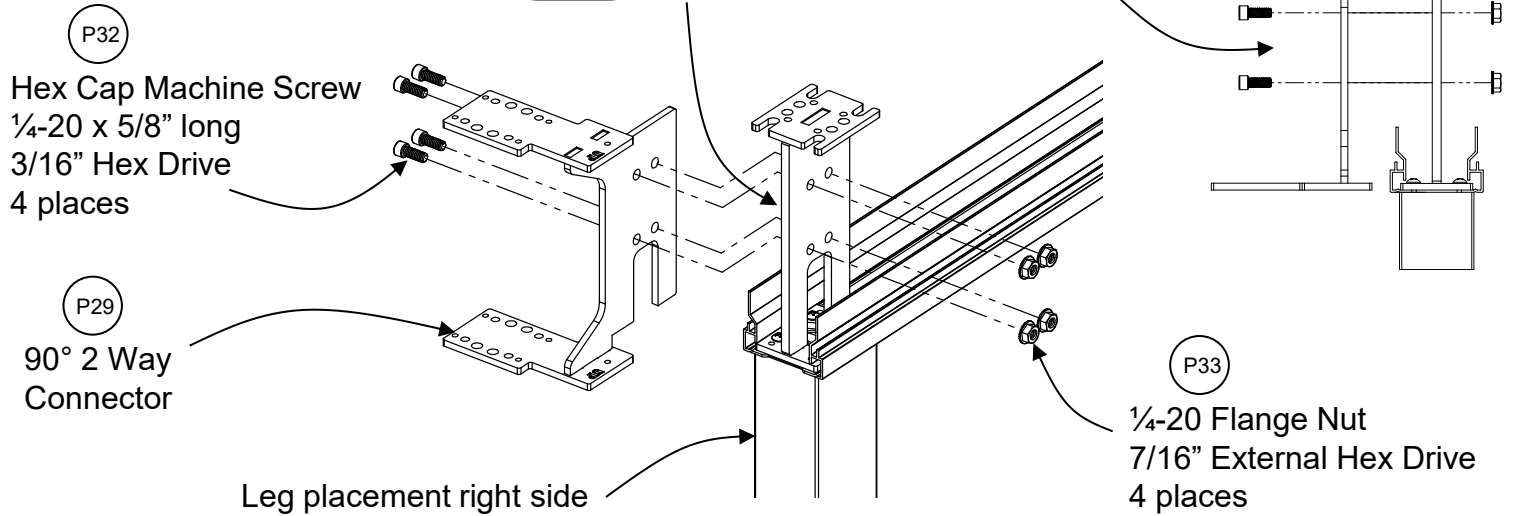
# Encounter PowerBeam Installation Instructions

## Installing 90° 2-Way Connectors

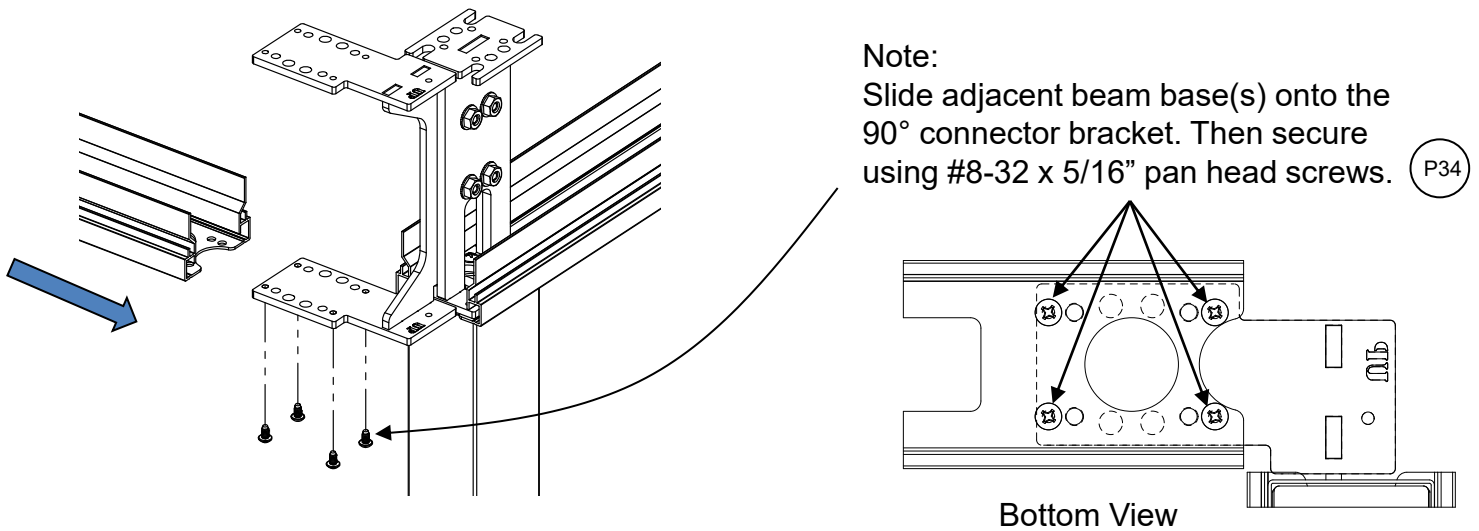
**Step 1:** Install connector to vertical.



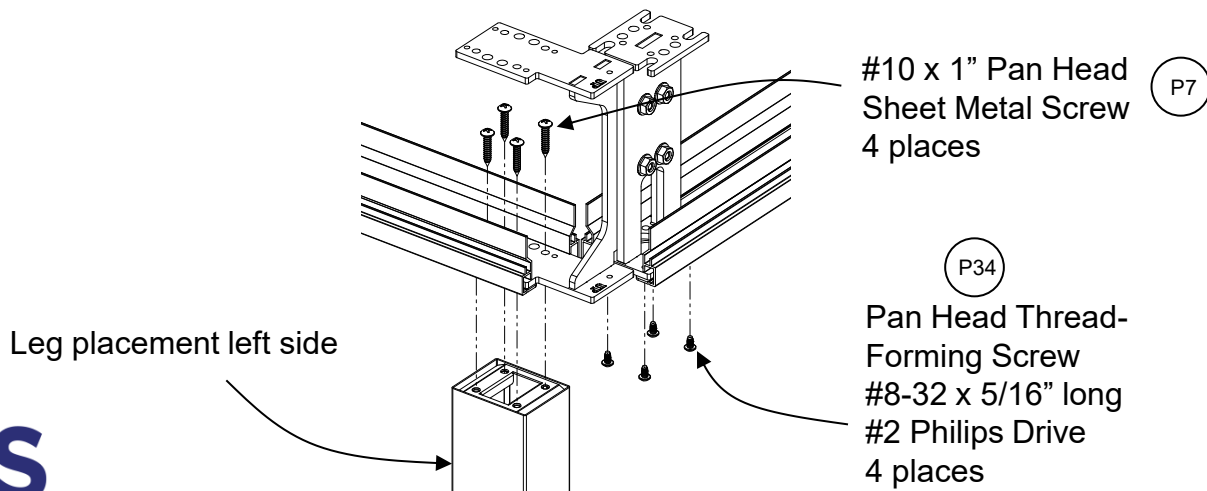
90° Connectors are ALWAYS mounted on left side of vertical



**Step 2:** Install adjacent beam base to connector.



**Step 3 (optional):** Alternate leg placement.



**AIS**

www.ais-inc.com

T-DTDPBINSTALL Rev 05.13.2026

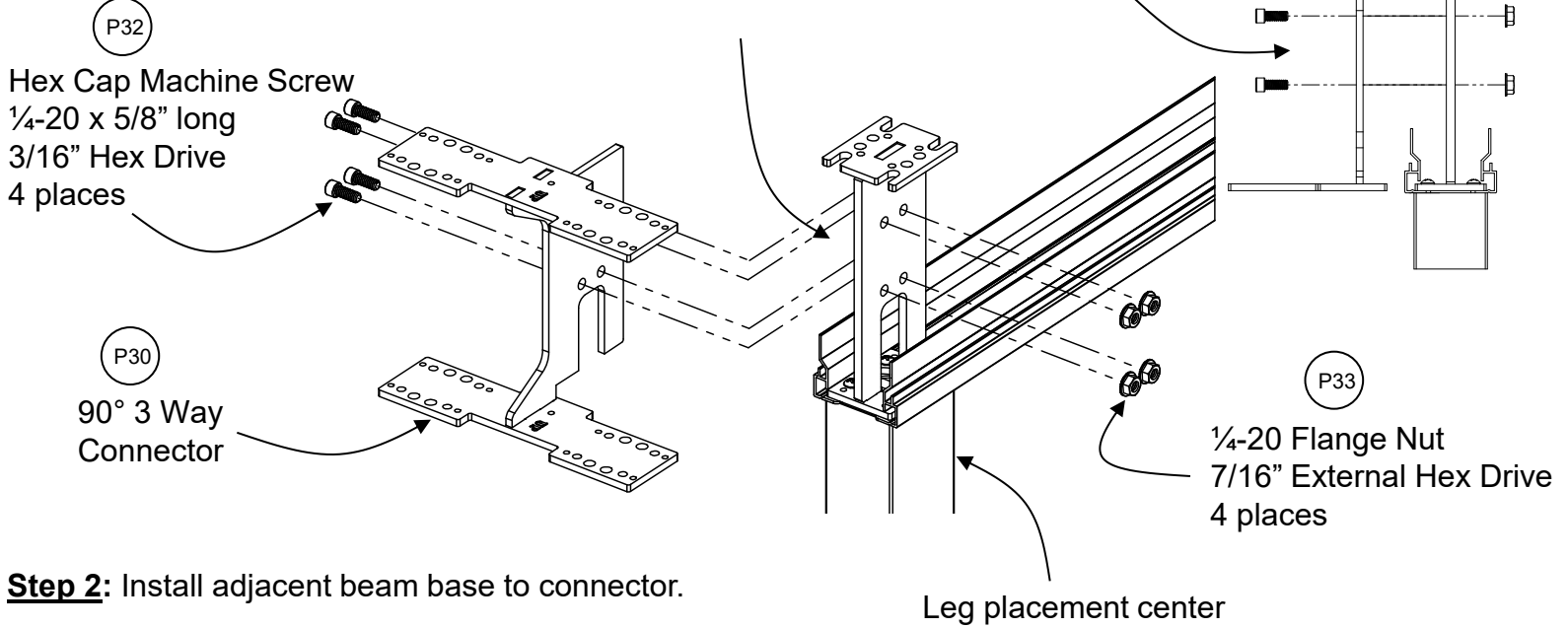
# Encounter PowerBeam Installation Instructions

## Installing 90° 3-Way Connectors

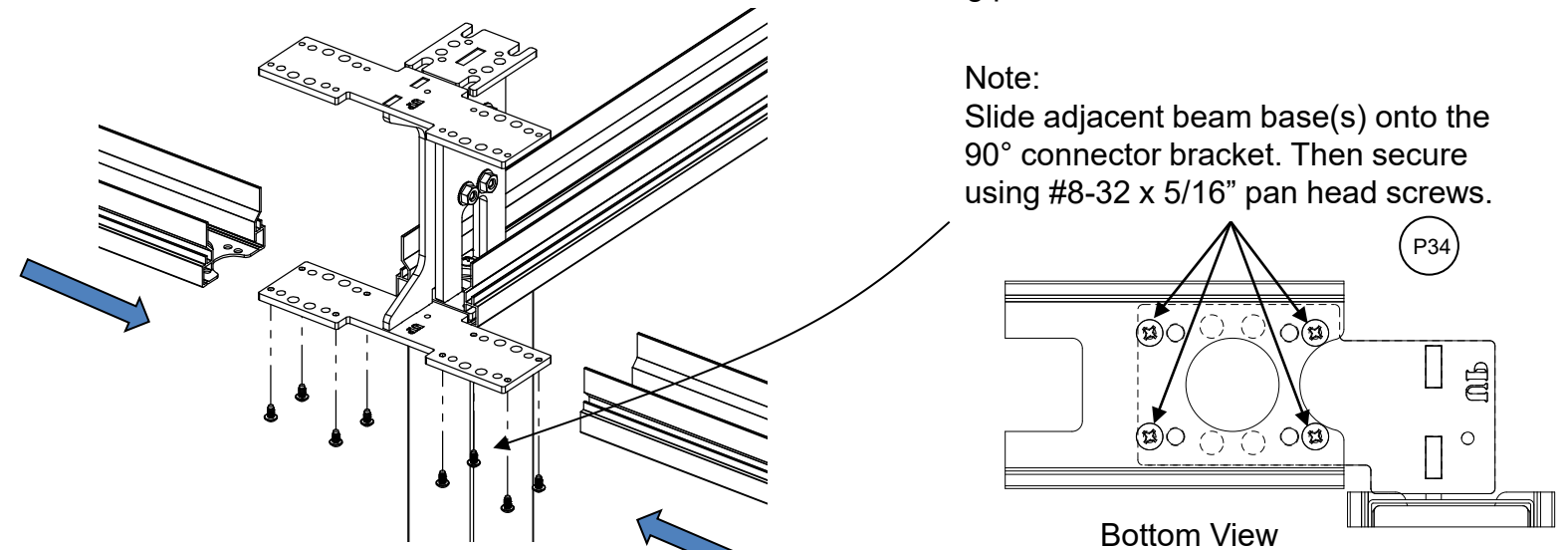
**Step 1:** Install connector to vertical.



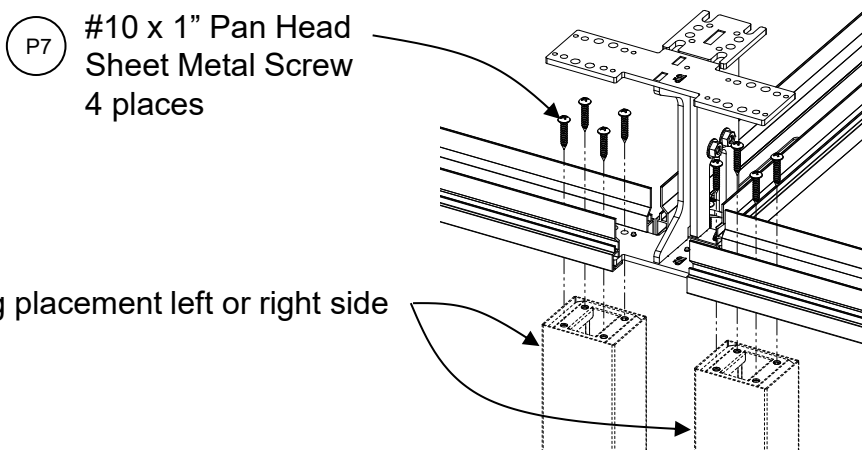
90° Connectors ALWAYS mounted on left side of vertical



**Step 2:** Install adjacent beam base to connector.



**Step 3 (optional):** Alternate leg placement.



# Encounter PowerBeam Installation Instructions

## Installing 90° 4-Way Connectors

**Step 1:** Install connector to vertical.



90° Connectors ALWAYS mounted on left side of vertical

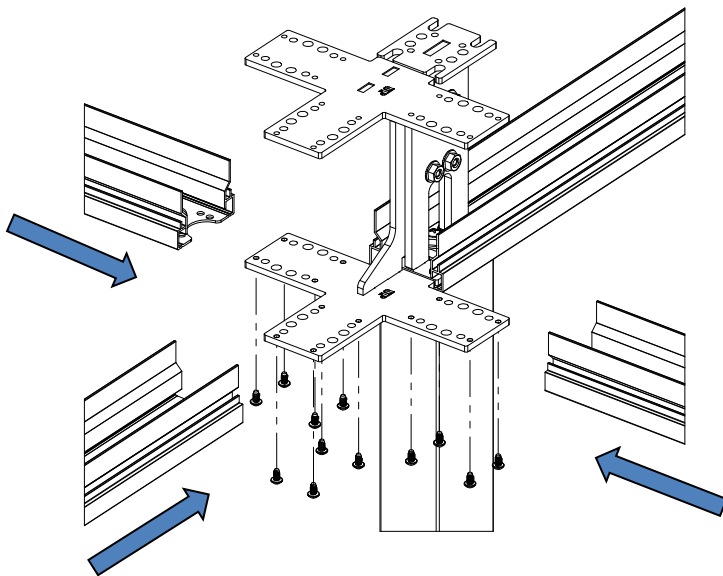
P32  
Hex Cap Machine Screw  
1/4-20 x 5/8" long  
3/16" Hex Drive  
4 places

P31  
90° 4 Way  
Connector

P33  
1/4-20 Flange Nut  
7/16" External Hex Drive  
4 places

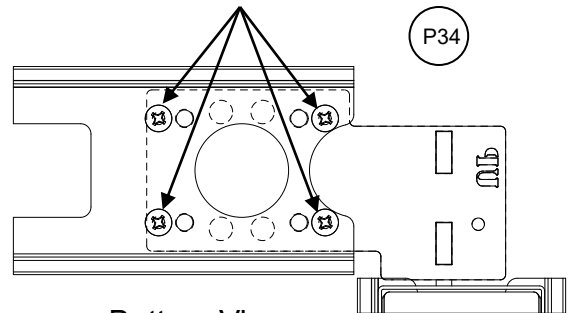
**Step 2:** Install adjacent beam base to connector.

Leg placement center



Note:

Slide adjacent beam base(s) onto the 90° connector bracket. Then secure using #8-32 x 5/16" pan head screws.

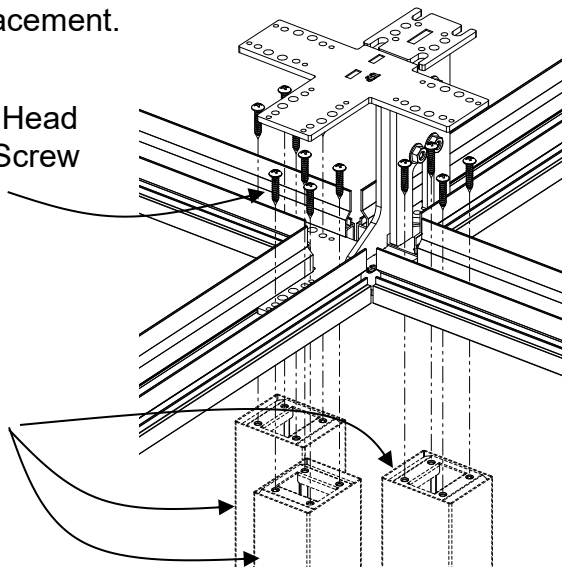


Bottom View

**Step 3 (optional):** Alternate leg placement.

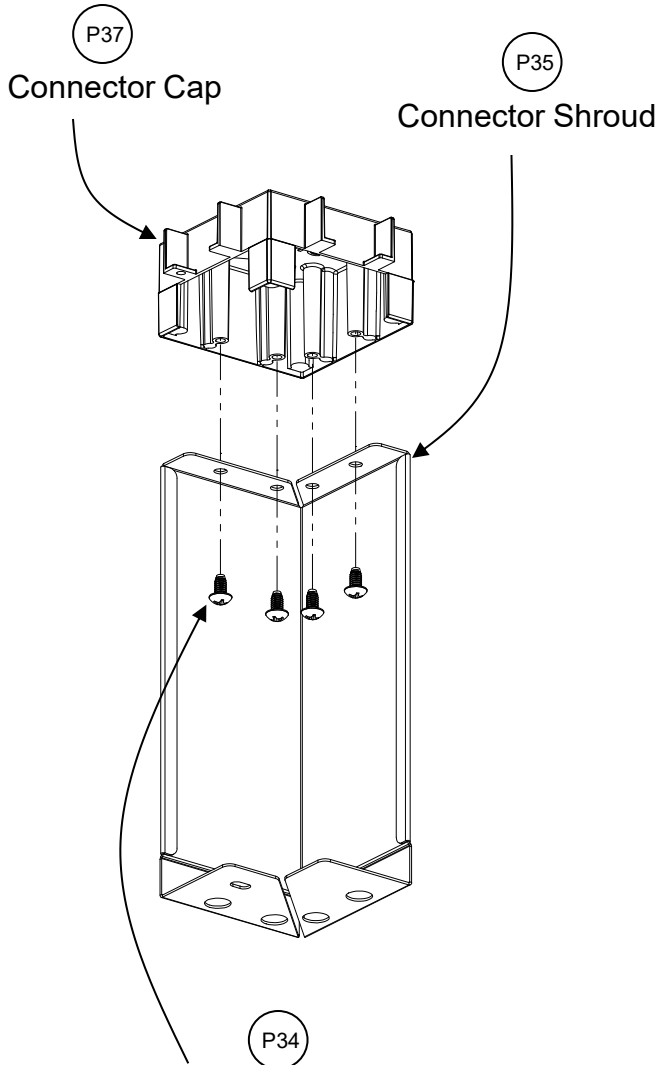
P7  
#10 x 1" Pan Head  
Sheet Metal Screw  
4 places

Alternate leg placements

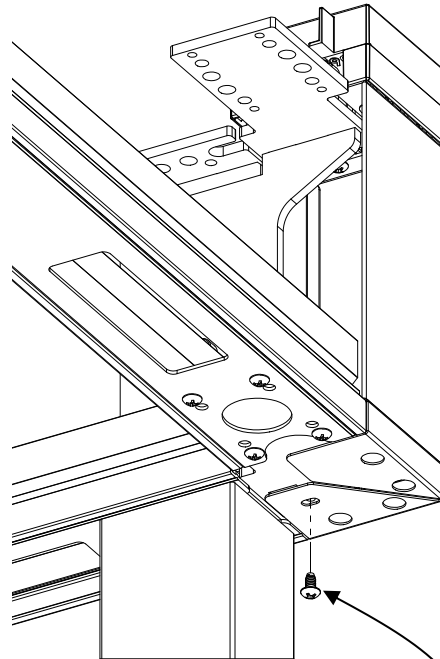
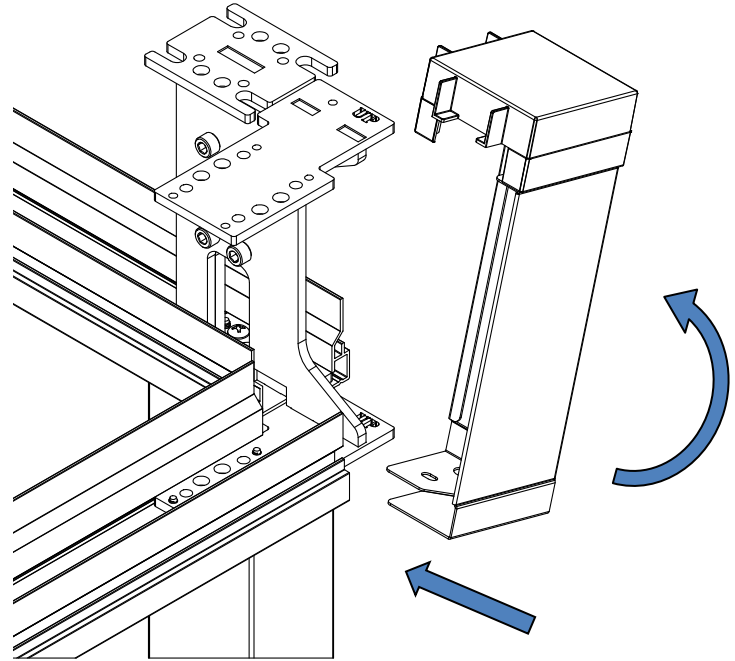


# Encounter PowerBeam Installation Instructions

## Installing 90° 2-Way Connector Caps



Pan Head Thread-Forming Screw  
#8-32 x 5/16" long  
#2 Philips Drive  
4 places



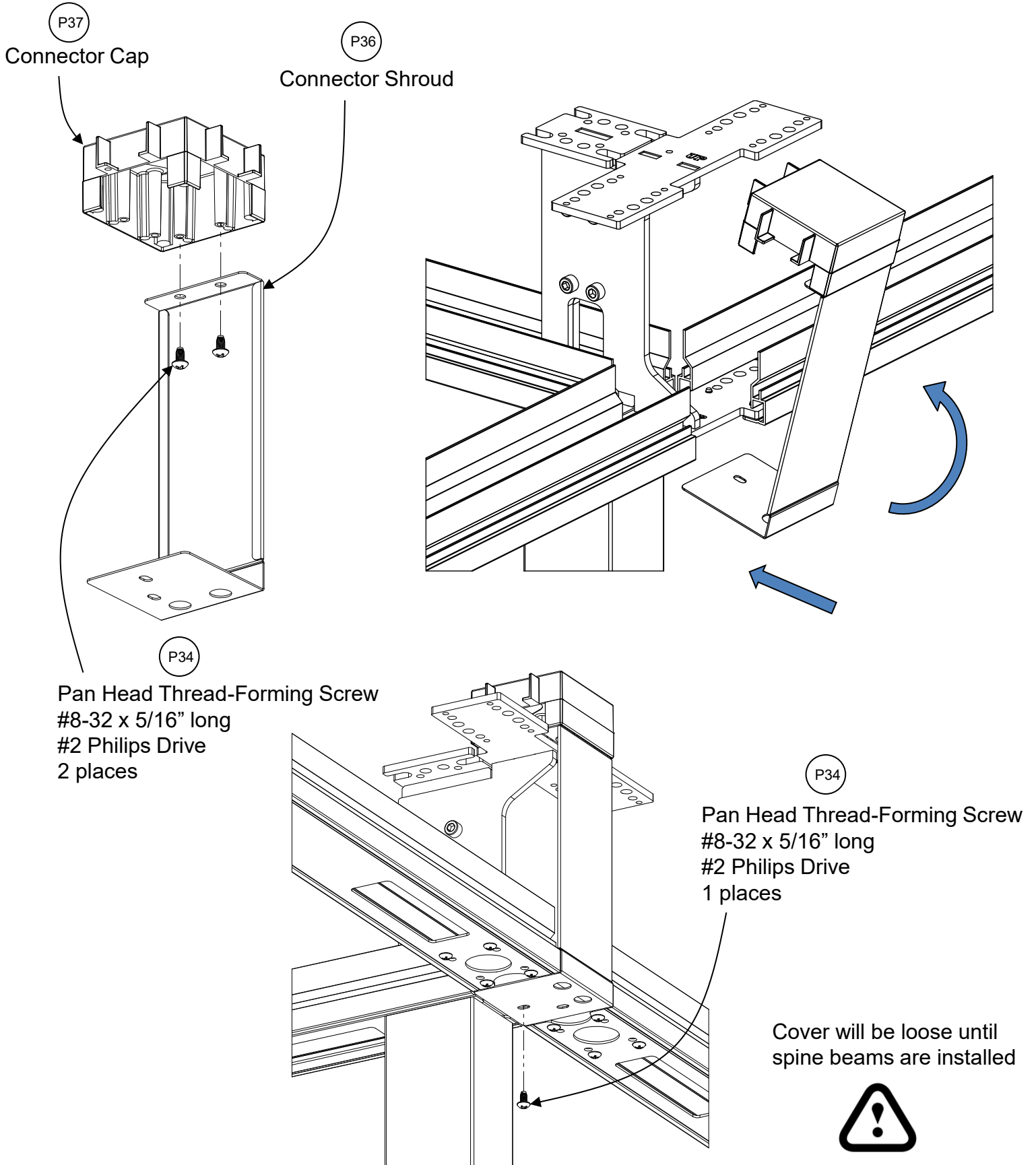
Cover will be loose until  
spine beams are installed



P34  
Pan Head Thread-Forming Screw  
#8-32 x 5/16" long  
#2 Philips Drive  
1 places

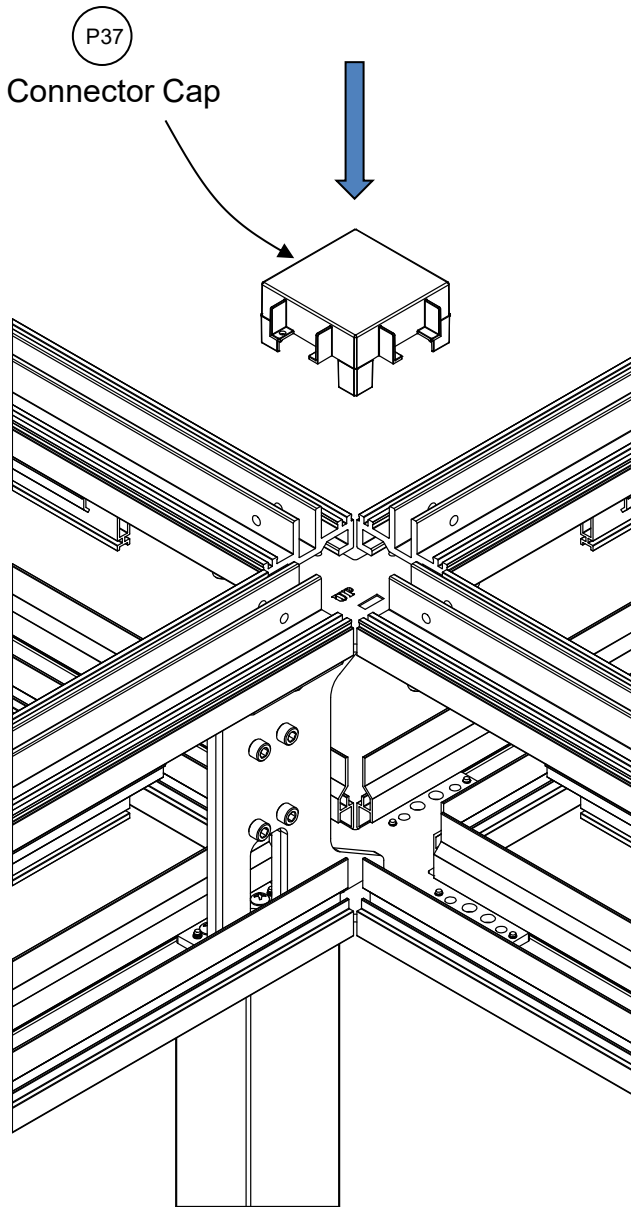
# Encounter PowerBeam Installation Instructions

## Installing 90° 3-Way Connector Caps

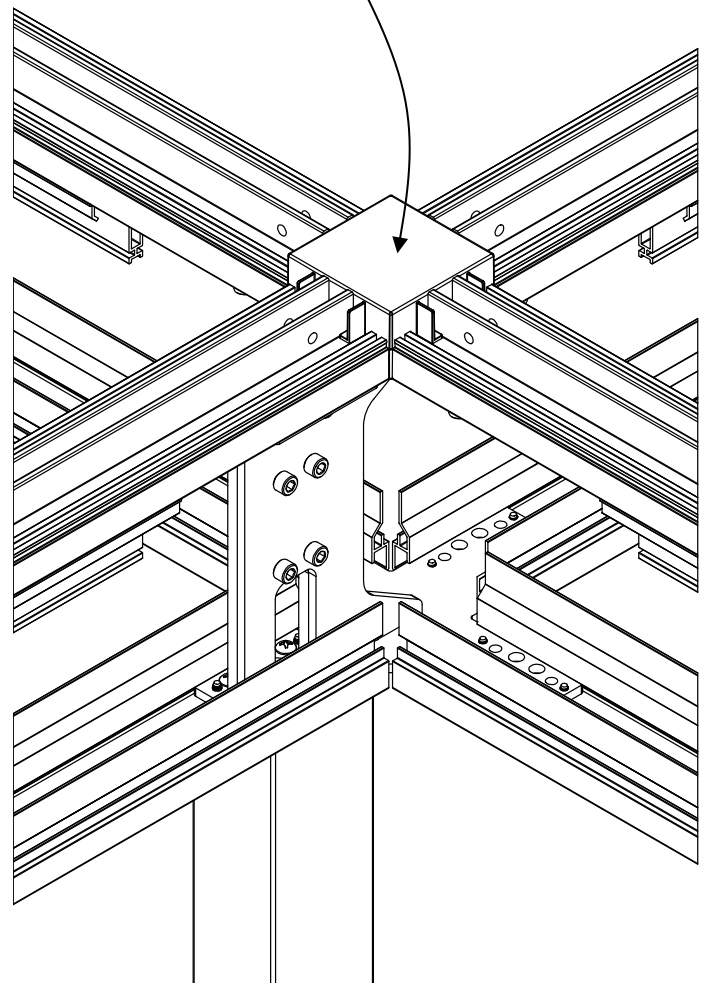


# Encounter PowerBeam Installation Instructions

## Installing 90° 4-Way Connector Caps



Note: Cap may be loose until spine beam covers are installed



# Encounter PowerBeam Installation Instructions

## Installing 120° 2-Way Connectors

**Step 1:** Install connector to vertical.

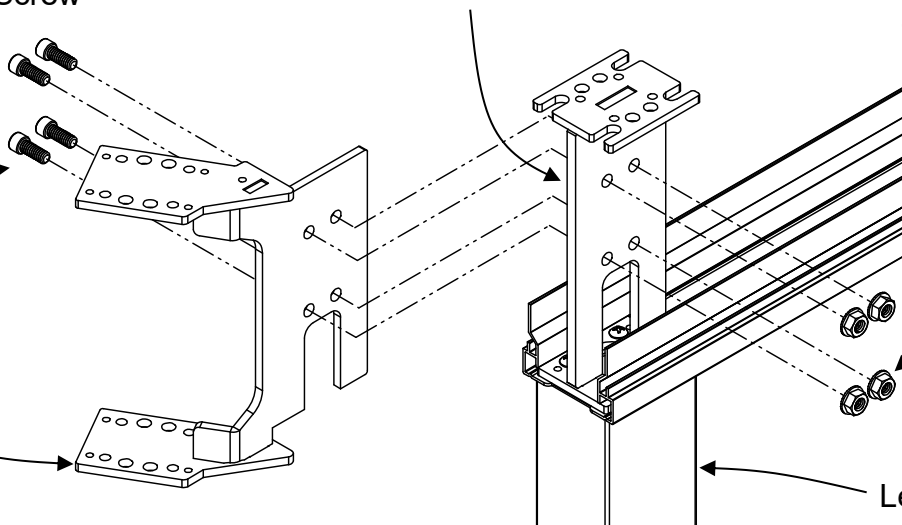
P32  
Hex Cap Machine Screw  
1/4-20 x 5/8" long  
3/16" Hex Drive  
4 places



120° Connectors are ALWAYS mounted on left side of vertical

P33  
1/4-20 Flange Nut  
7/16" External Hex Drive  
4 places

P38  
120° 2 Way  
Connector

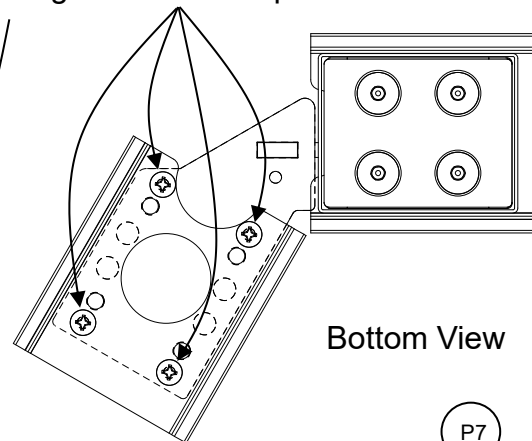
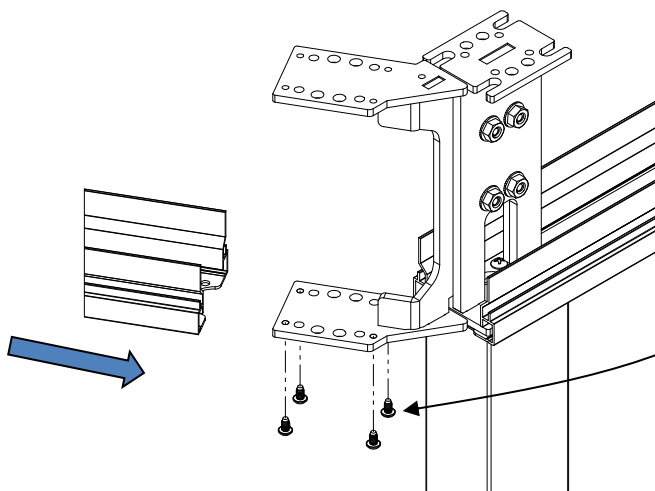


Leg placement right side

**Step 2:** Install adjacent beam base to connector.

Note:

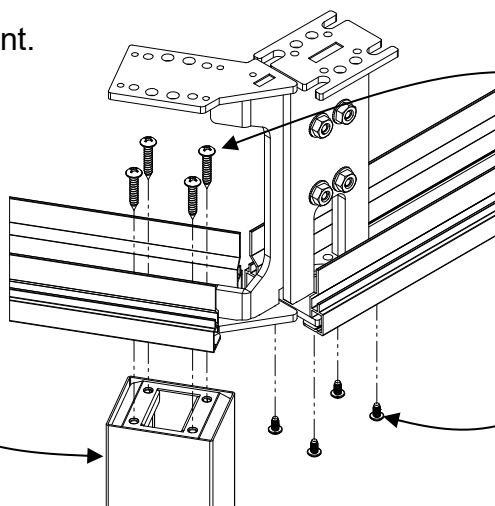
Slide adjacent beam base(s) onto the 120° connector bracket. Then secure using #8-32 x 5/16" pan head screws.



Bottom View

**Step 3 (optional):** Alternate leg placement.

Leg placement left side



P7  
#10 x 1" Pan Head  
Sheet Metal Screw  
4 places

P34  
Pan Head Thread-  
Forming Screw  
#8-32 x 5/16" long  
#2 Philips Drive  
4 places

**AI S**

www.ais-inc.com

T-DTDPBINSTALL Rev 05.13.2026

# Encounter PowerBeam Installation Instructions 120° 3-Way Connectors

## Installing 120° 3-Way Connectors

**Step 1:** Install connector to vertical.

Hex Cap Machine Screw  
1/4-20 x 5/8" long  
3/16" Hex Drive  
4 places

P32



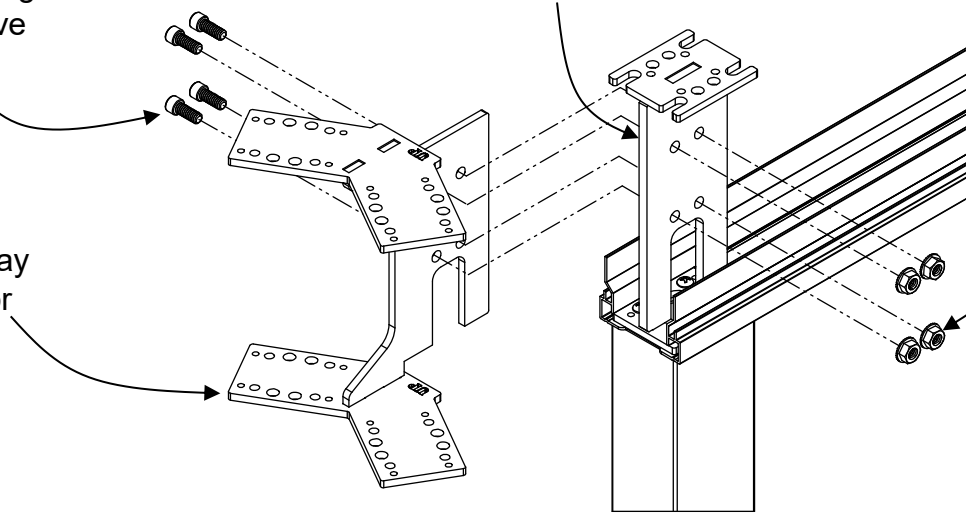
120° Connectors are ALWAYS mounted on left side of vertical

P33

1/4-20 Flange Nut  
7/16" External Hex Drive  
4 places

120° 2 Way Connector

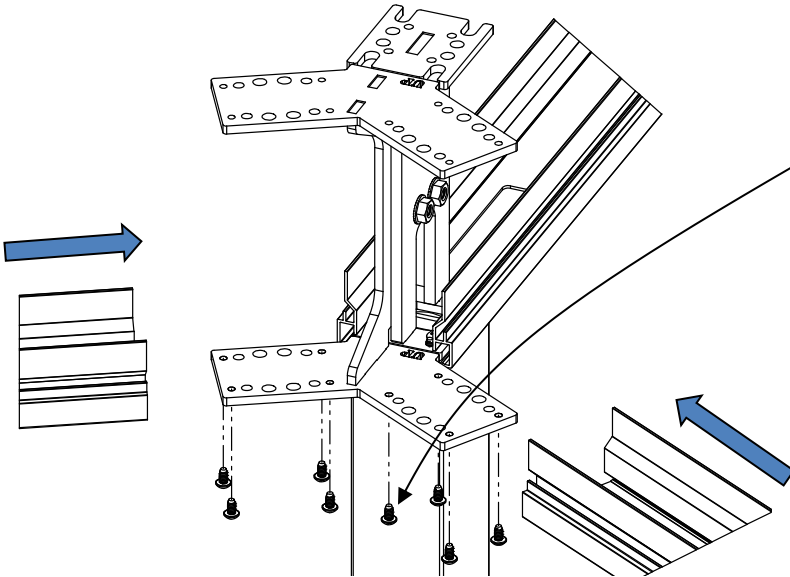
P39



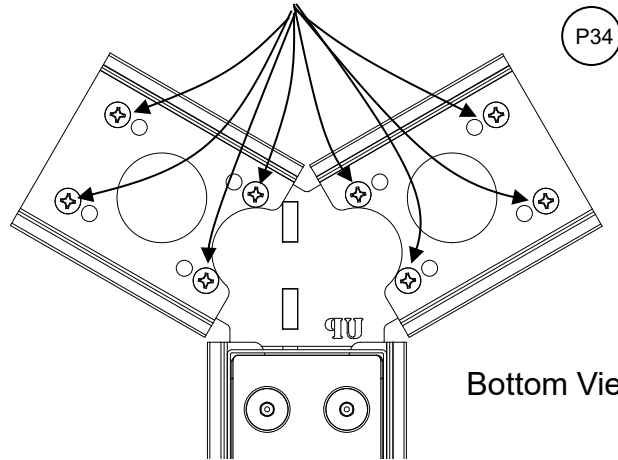
**Step 2:** Install adjacent beam base to connector.

Note:

Slide adjacent beam base(s) onto the 120° connector bracket. Then secure using #8-32 x 5/16" pan head screws.



P34



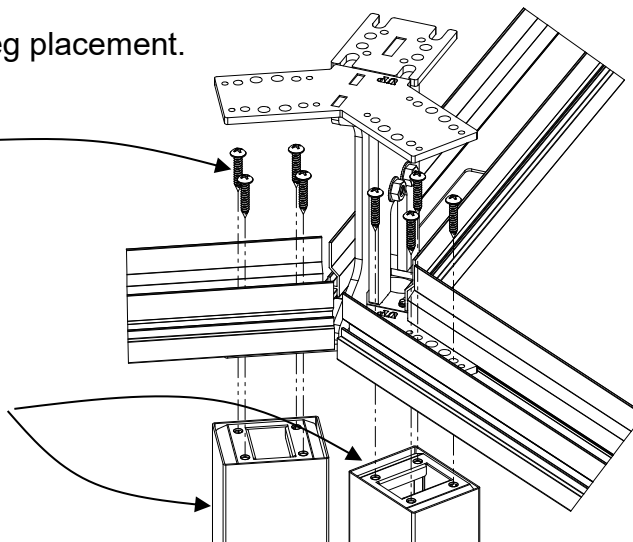
Bottom View

**Step 3 (optional):** Alternate leg placement.

P7

#10 x 1" Pan Head Sheet Metal Screw  
4 places

Alternate Leg placements



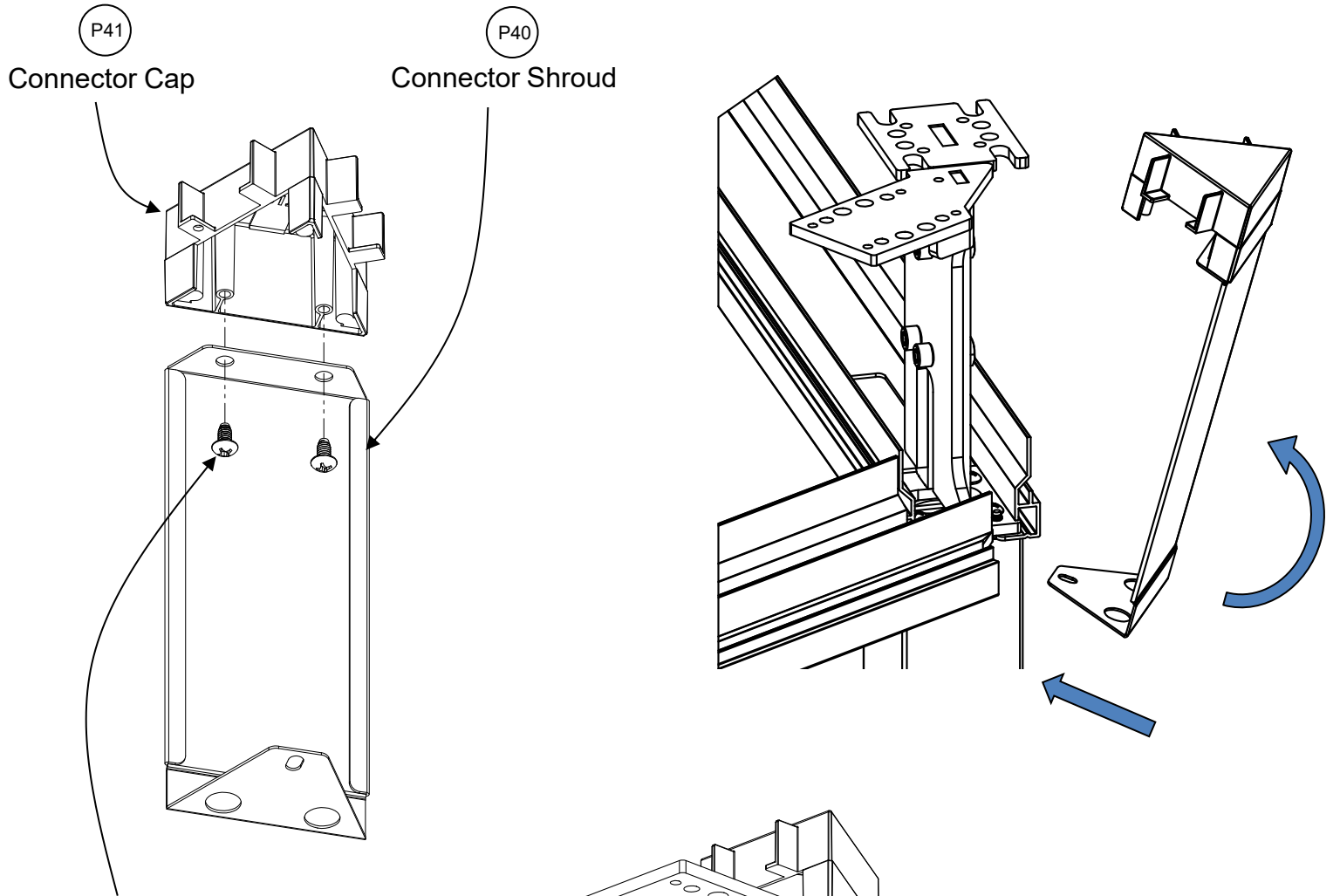
**AI**S

www.ais-inc.com

T-DTDPBINSTALL Rev 05.13.2026

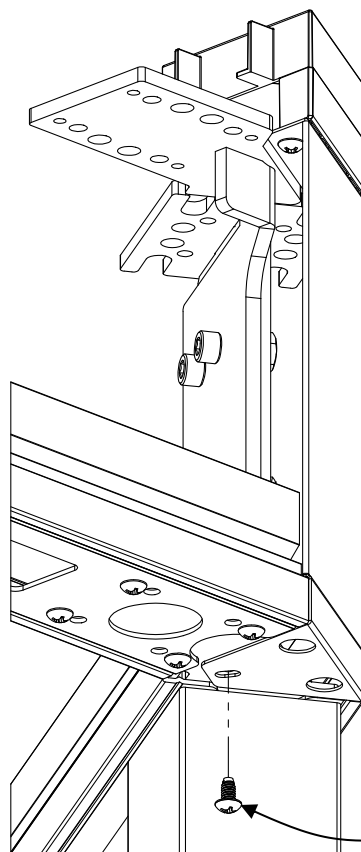
# Encounter PowerBeam Installation Instructions

## Installing 120° 2-Way Connector Caps



Pan Head Thread-Forming Screw  
#8-32 x 5/16" long  
#2 Philips Drive  
2 places

P34



Cover will be loose until  
spine beams are installed

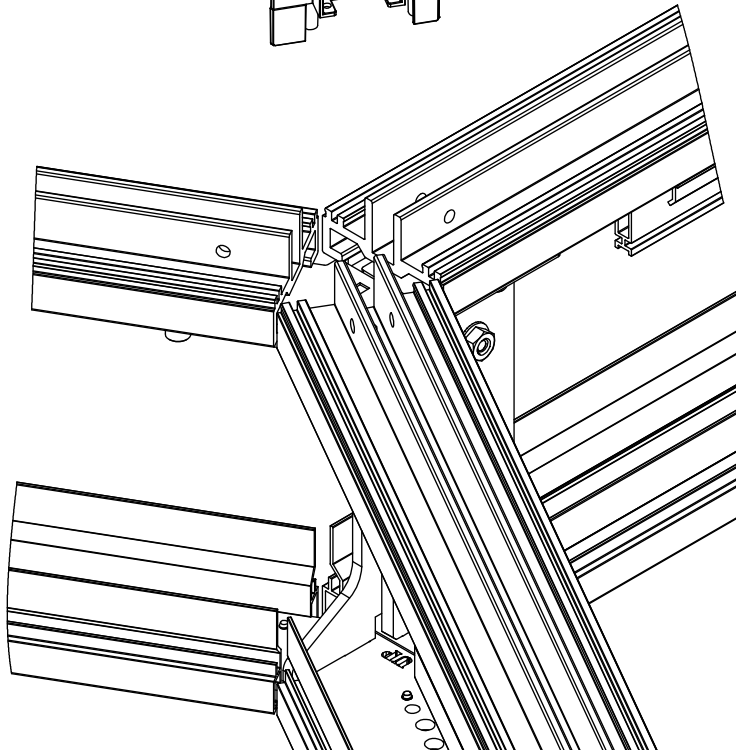
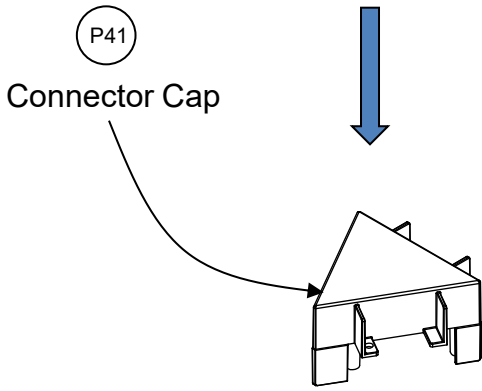


P34

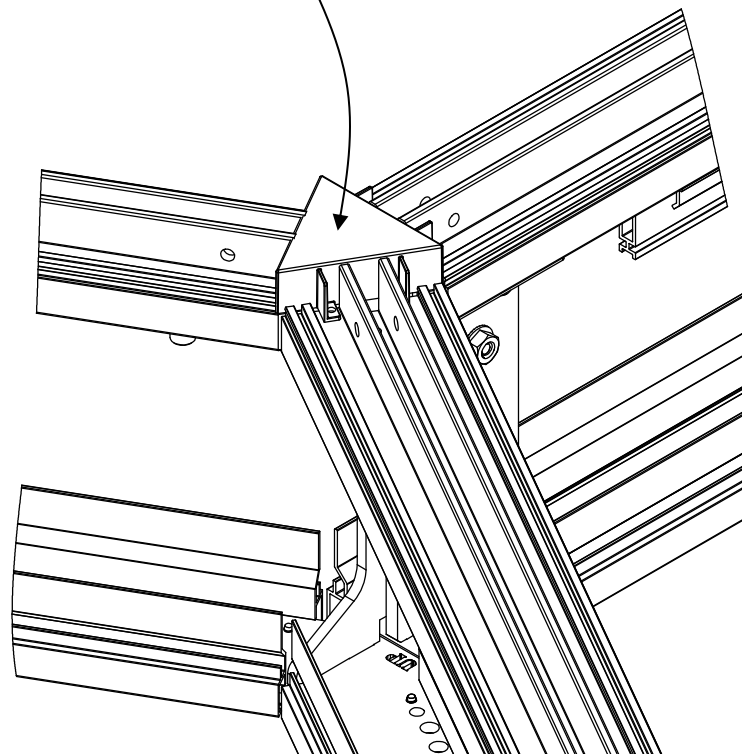
Pan Head Thread-Forming Screw  
#8-32 x 5/16" long  
#2 Philips Drive  
1 places

# Encounter PowerBeam Installation Instructions

## Installing 120° 2-Way Connector Caps

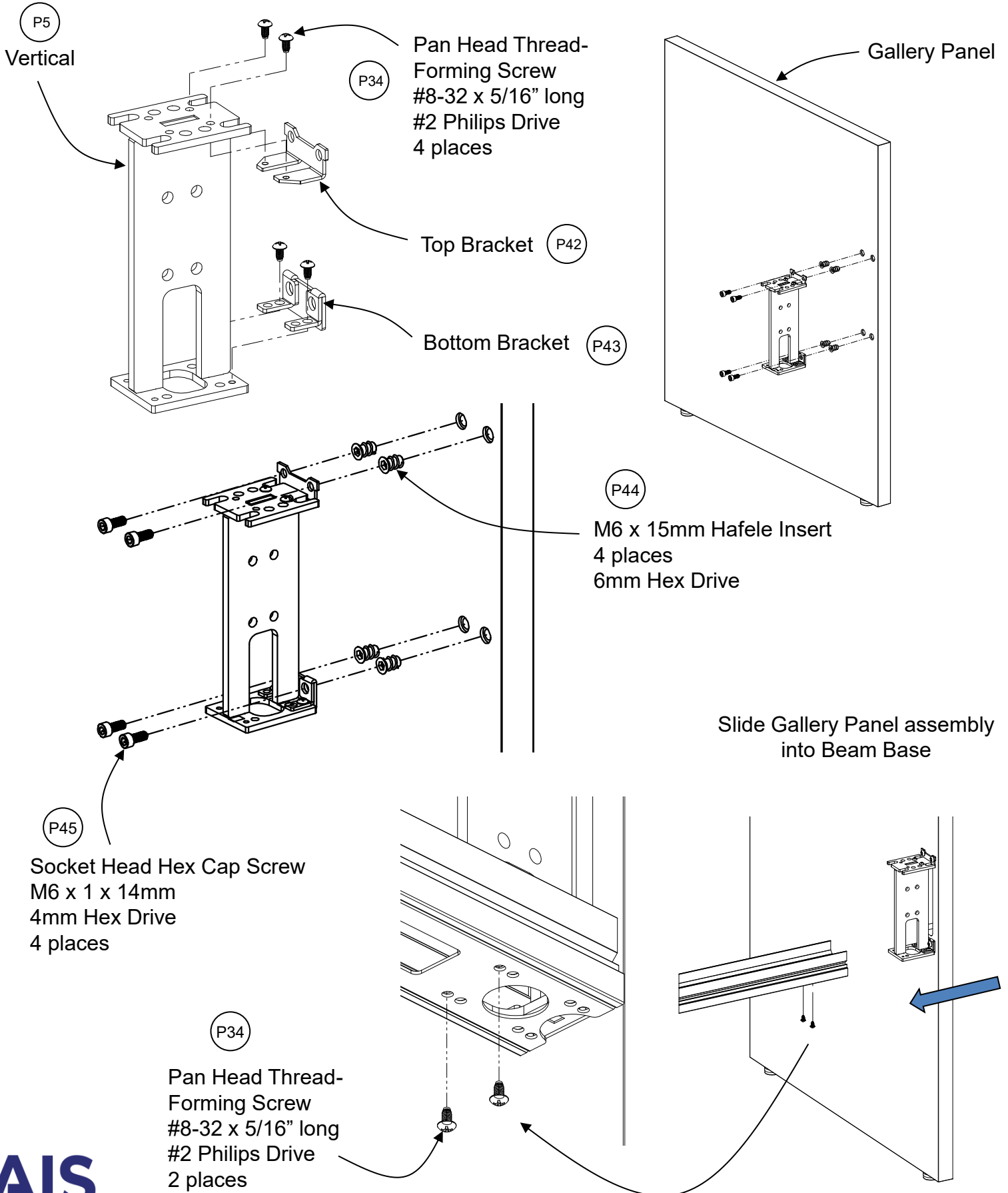


Note: Cap may be loose until spine beam covers are installed



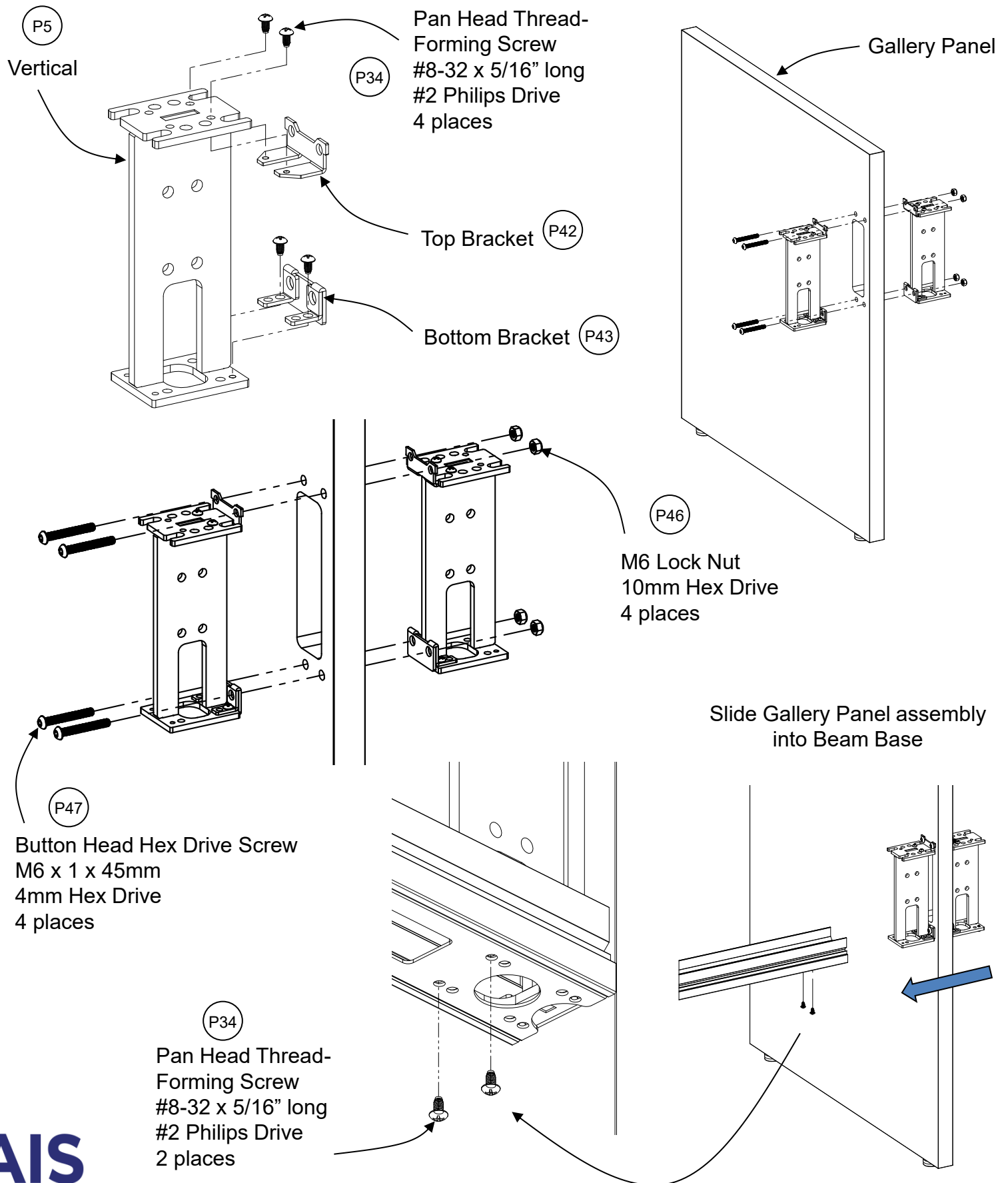
# Encounter PowerBeam Installation Instructions

## Installing Single/Double End Gallery Panels



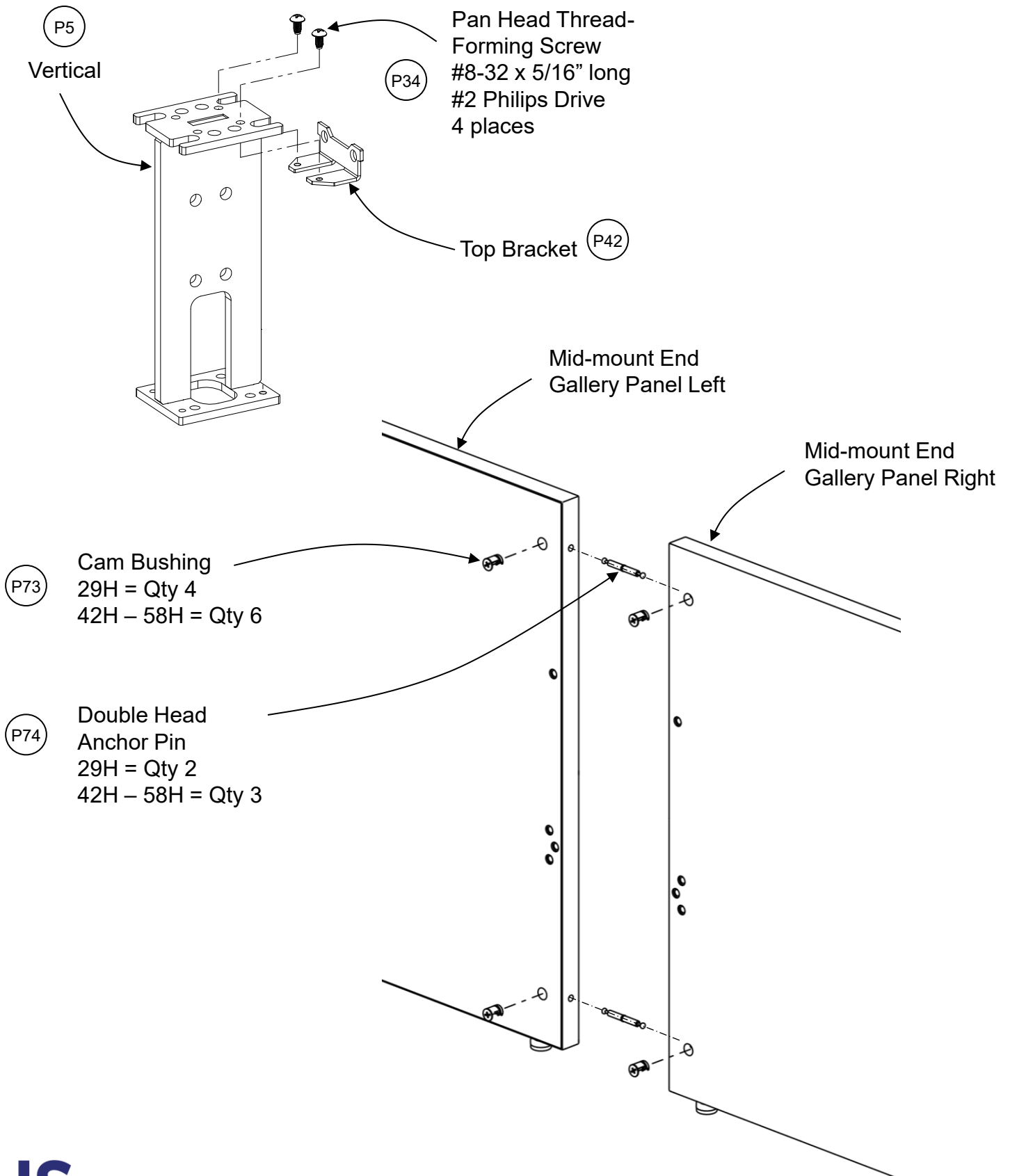
# Encounter PowerBeam Installation Instructions

## Installing Single/Double Spine Gallery Panels



# Encounter PowerBeam Installation Instructions

## Installing Mid-Mount End Gallery Panels

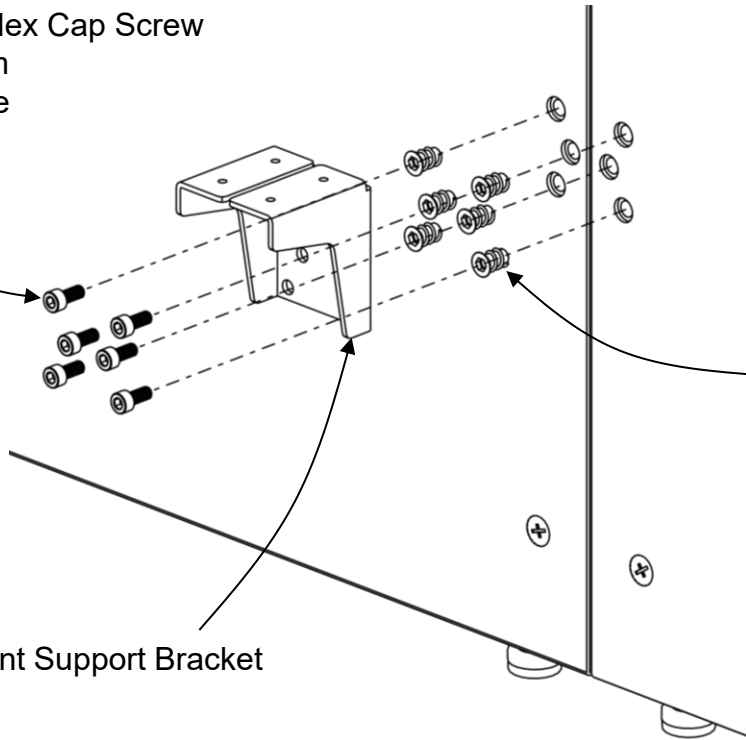


# Encounter PowerBeam Installation Instructions

## Installing Mid-Mount End Gallery Panels (cont.)

P45

Socket Head Hex Cap Screw  
M6 x 1 x 14mm  
4mm Hex Drive  
6 places



P44

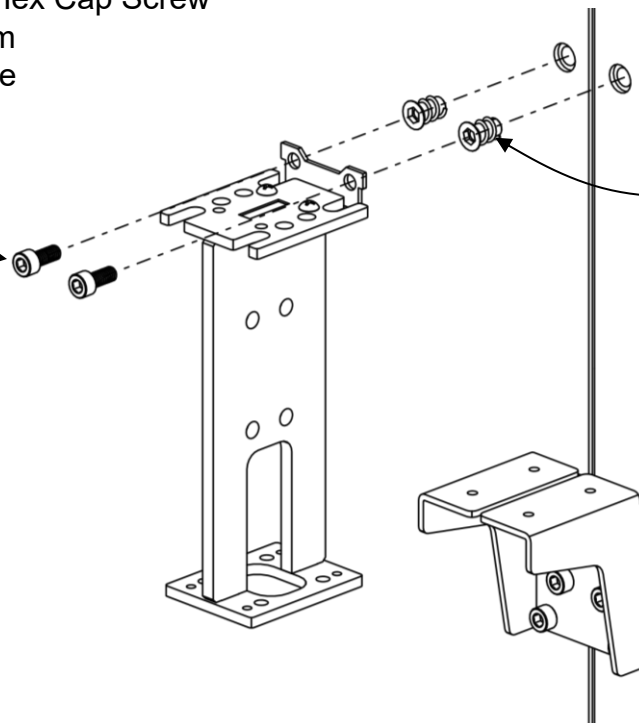
M6 x 15mm Hafele Insert  
6 places  
6mm Hex Drive

P75

Mid-Mount Support Bracket

P45

Socket Head Hex Cap Screw  
M6 x 1 x 14mm  
4mm Hex Drive  
2 places



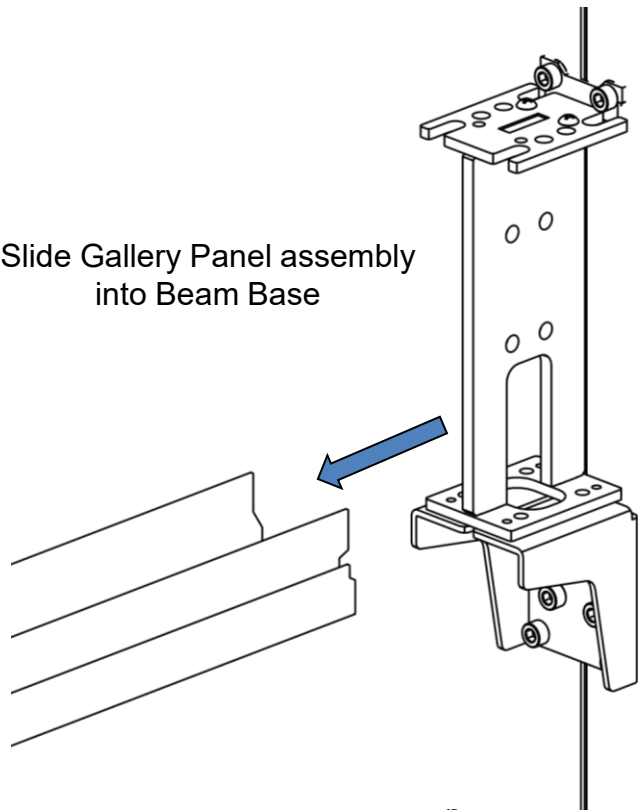
P44

M6 x 15mm Hafele Insert  
2 places  
6mm Hex Drive

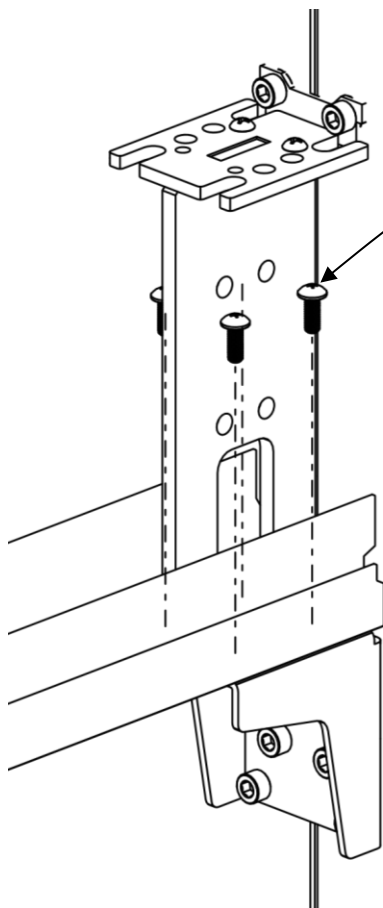
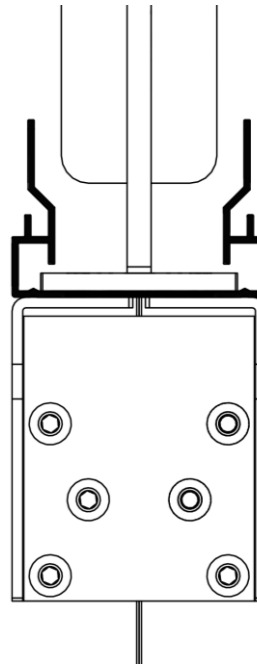
# Encounter PowerBeam Installation Instructions

## Installing Mid-Mount End Gallery Panels (cont.)

Slide Gallery Panel assembly  
into Beam Base

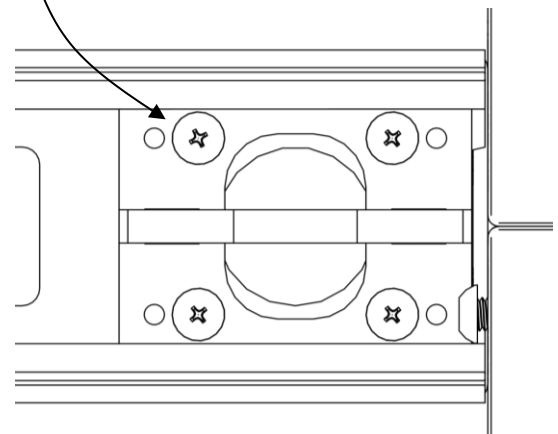


Position Beam Base  
between the Vertical  
and the Bracket



P76

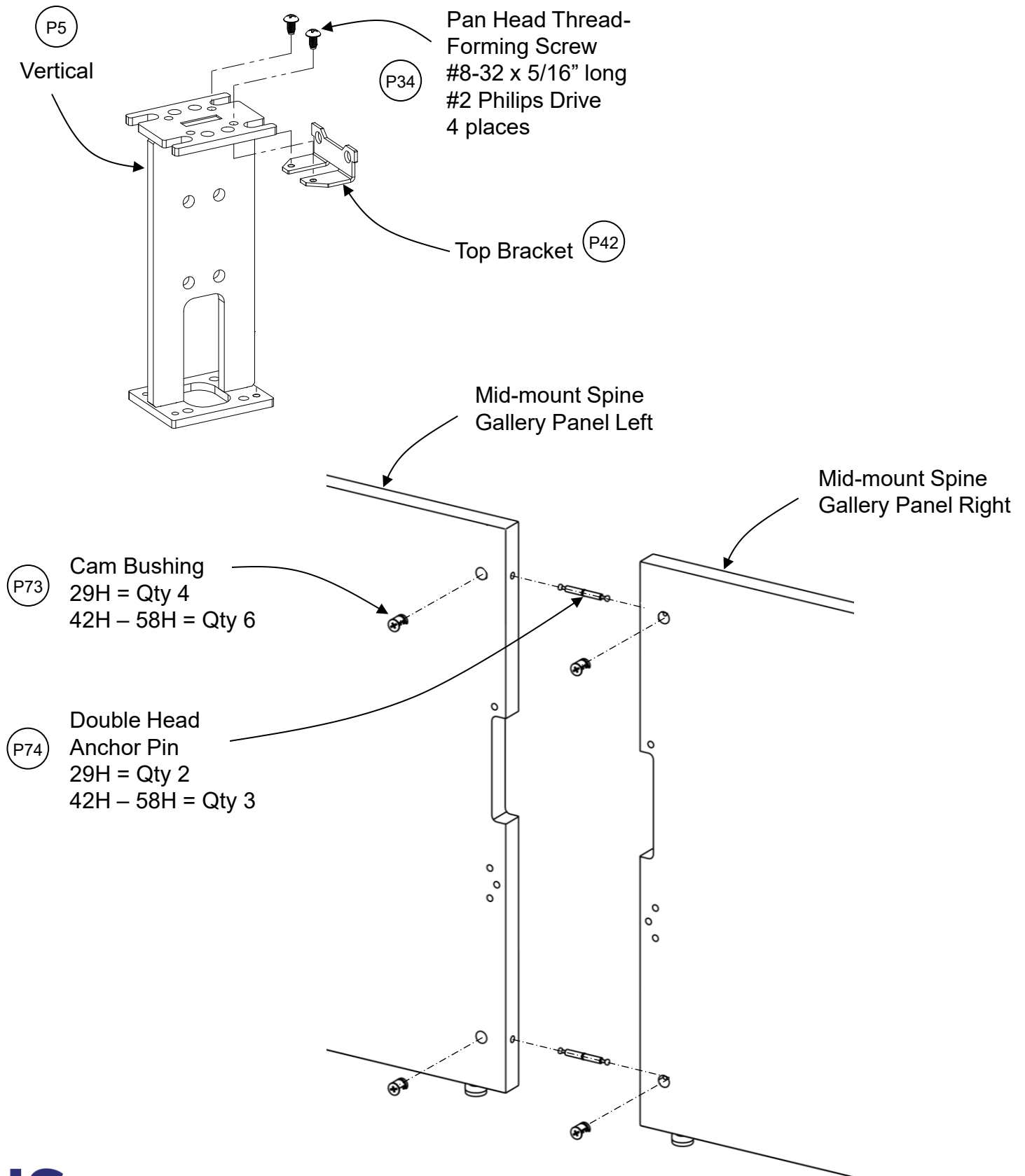
Pan Head Machine Screw  
#10-32 x 1/2" long  
Phillips drive #2  
4 places



TOP VIEW

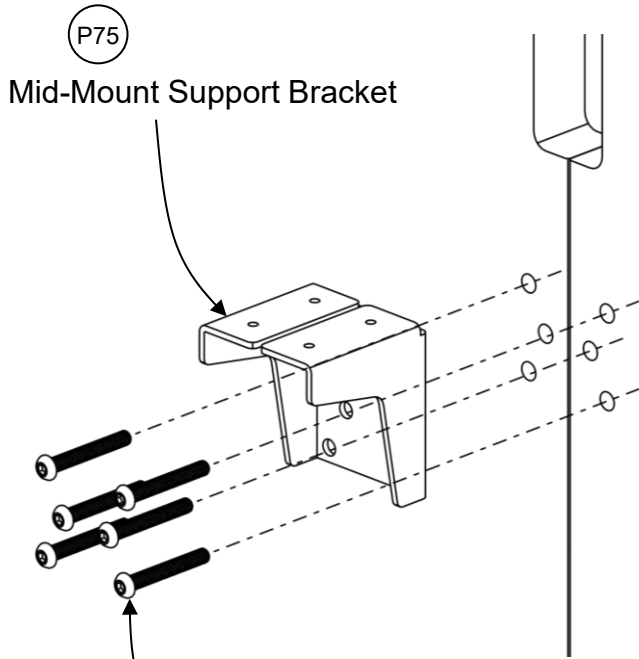
# Encounter PowerBeam Installation Instructions

## Installing Mid-Mount Spine Gallery Panels



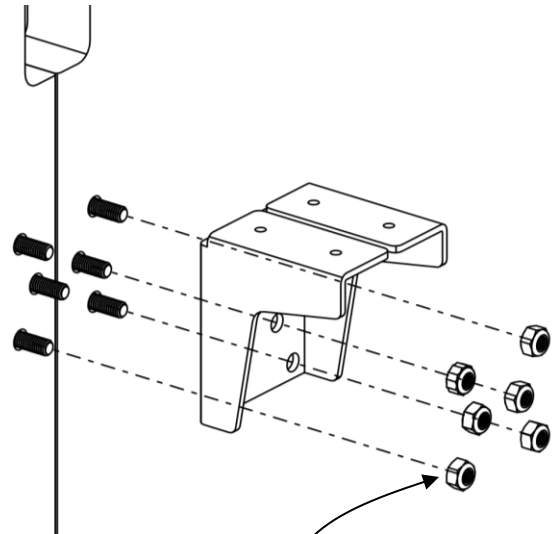
# Encounter PowerBeam Installation Instructions

## Installing Mid-Mount Spine Gallery Panels (cont.)

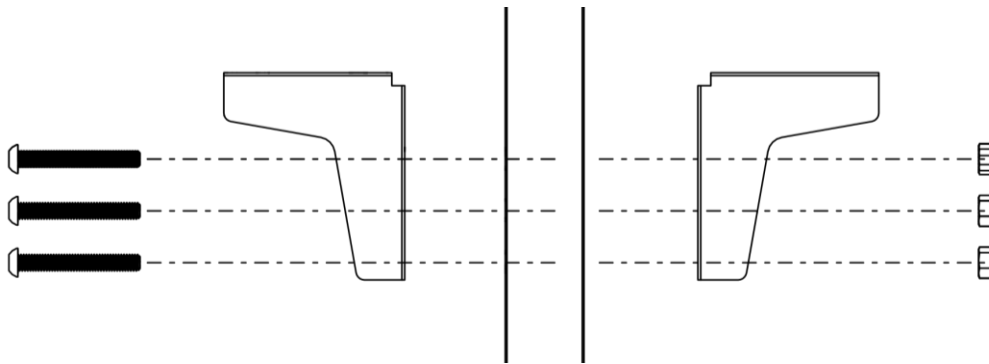


(P75)  
Mid-Mount Support Bracket

(P47)  
Button Head Hex Drive Screw  
M6 x 1 x 45mm  
4mm Hex Drive  
6 places

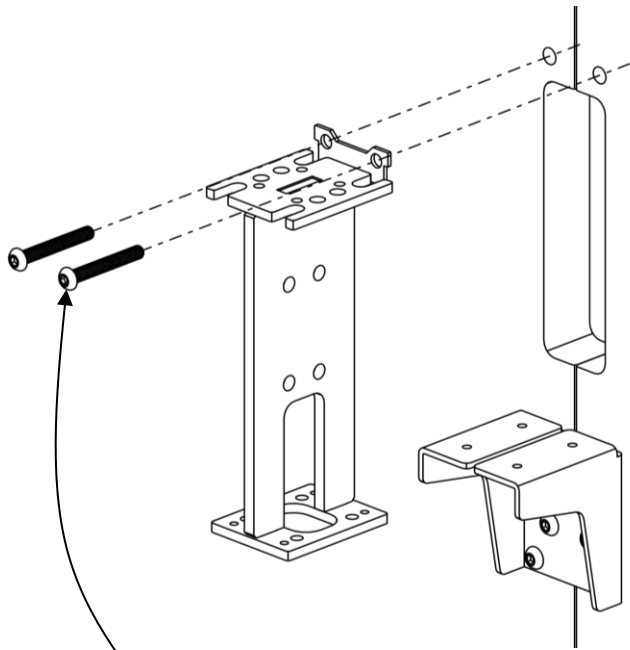


(P46)  
M6 Lock Nut  
10mm Hex Drive  
4 places



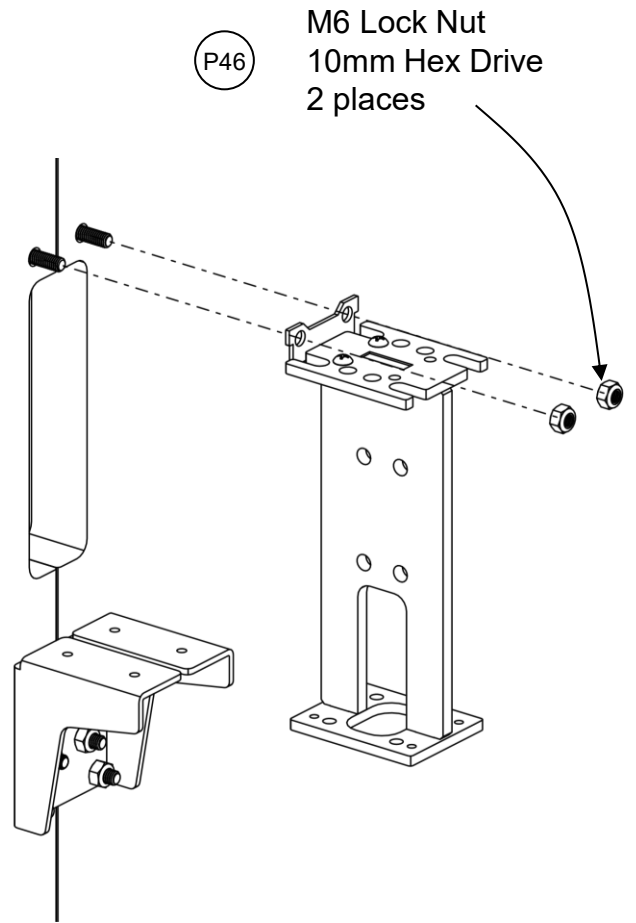
# Encounter PowerBeam Installation Instructions

## Installing Mid-Mount Spine Gallery Panels (cont.)



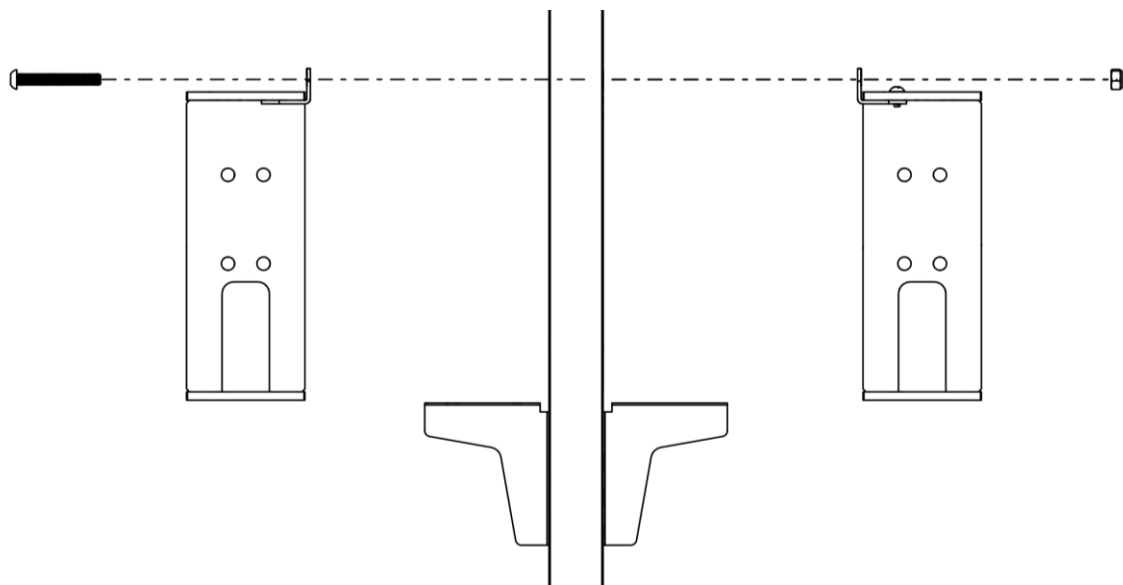
P47

Button Head Hex Drive Screw  
M6 x 1 x 45mm  
4mm Hex Drive  
2 places



P46

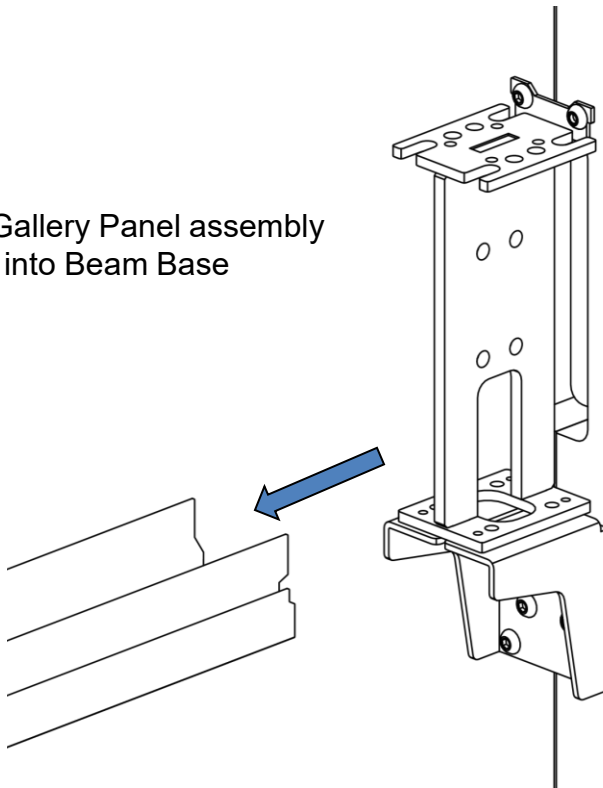
M6 Lock Nut  
10mm Hex Drive  
2 places



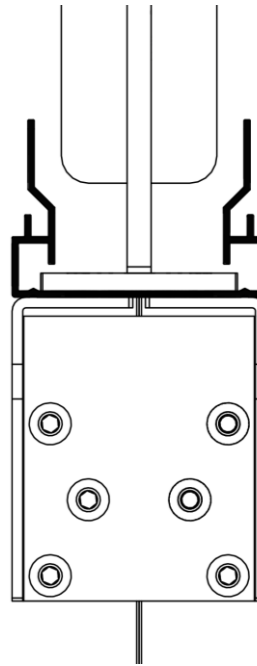
# Encounter PowerBeam Installation Instructions

## Installing Mid-Mount Spine Gallery Panels (cont.)

Slide Gallery Panel assembly  
into Beam Base

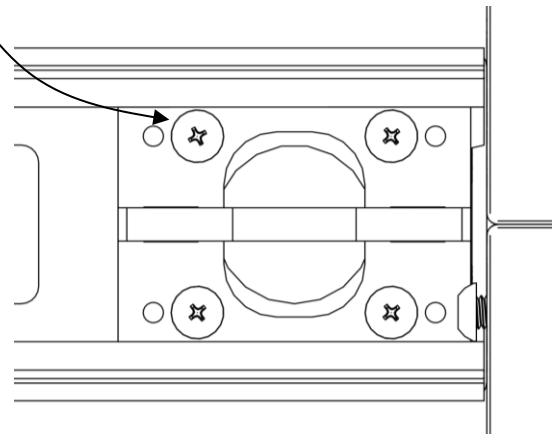
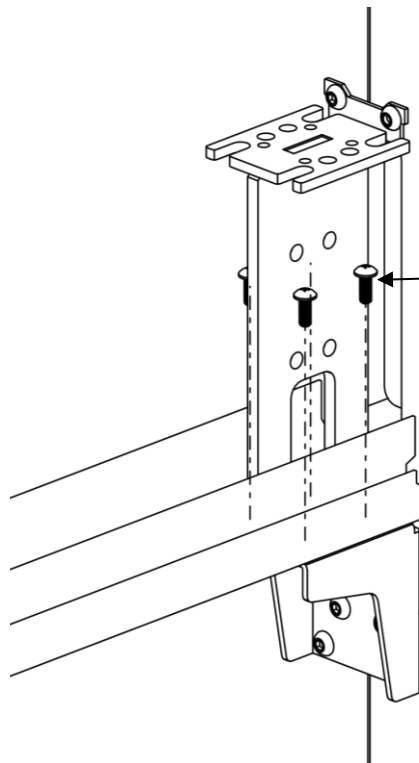


Position Beam Base  
between the Vertical  
and the Bracket



P76

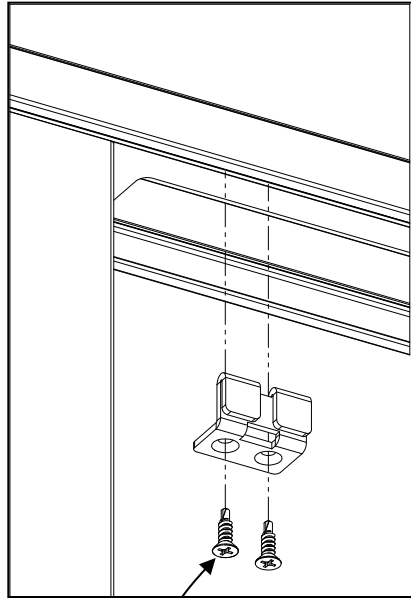
Pan Head Machine Screw  
#10-32 x 1/2" long  
Phillips drive #2  
4 places each side



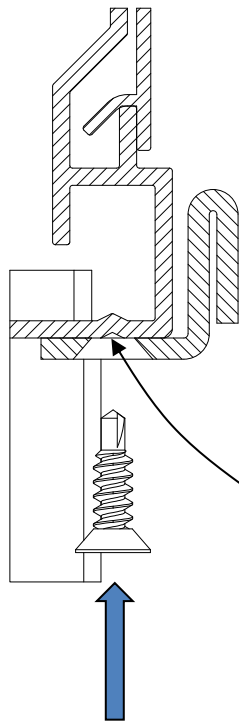
TOP VIEW

# Encounter PowerBeam Installation Instructions

## Installing Power Cord Trays

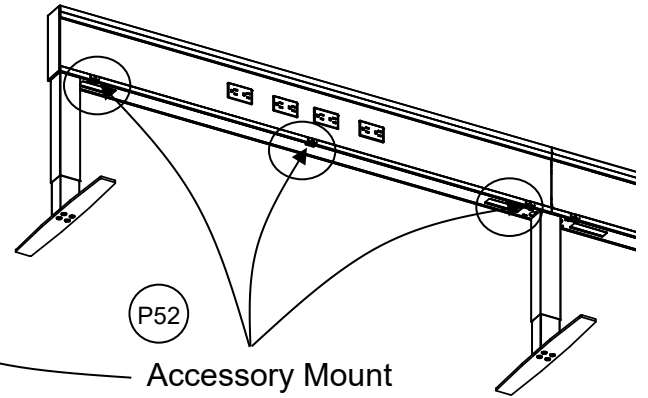


P19 Flat Head Drilling Screw  
#6 x 1/2" long  
#2 Philips Drive  
6 places

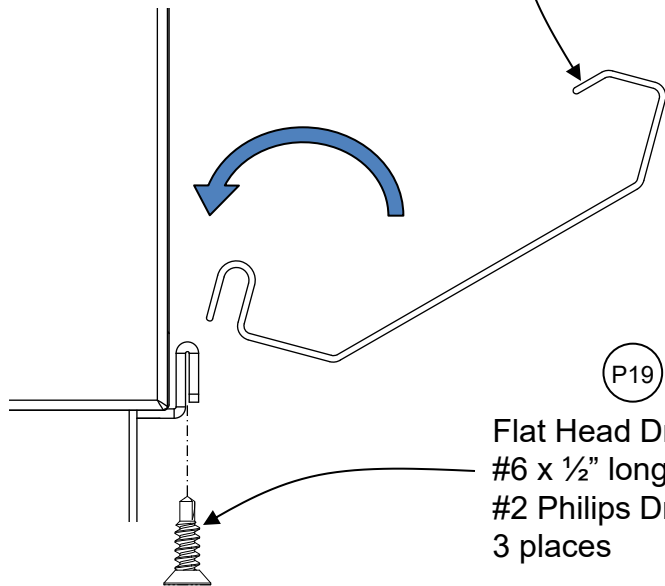
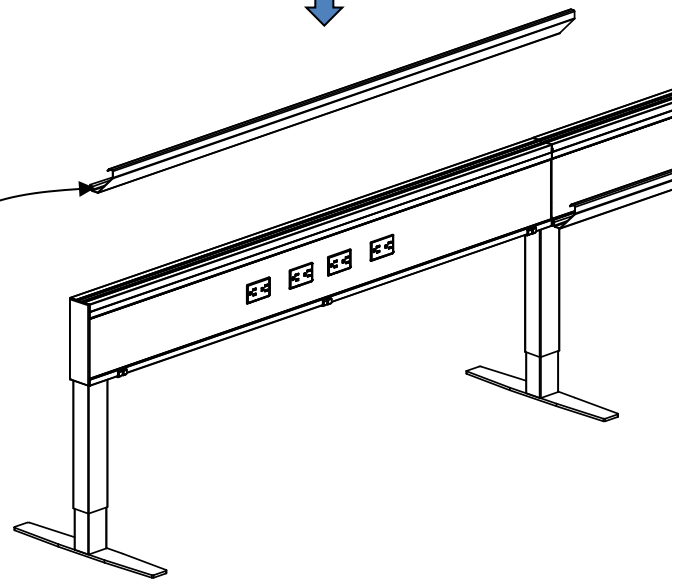


Beam Base  
Groove

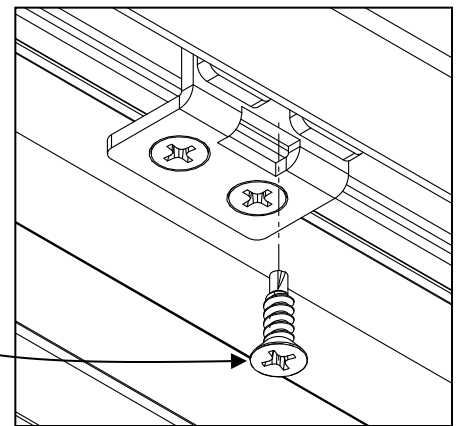
P53  
Powercord Tray



P52  
Accessory Mount  
3 places

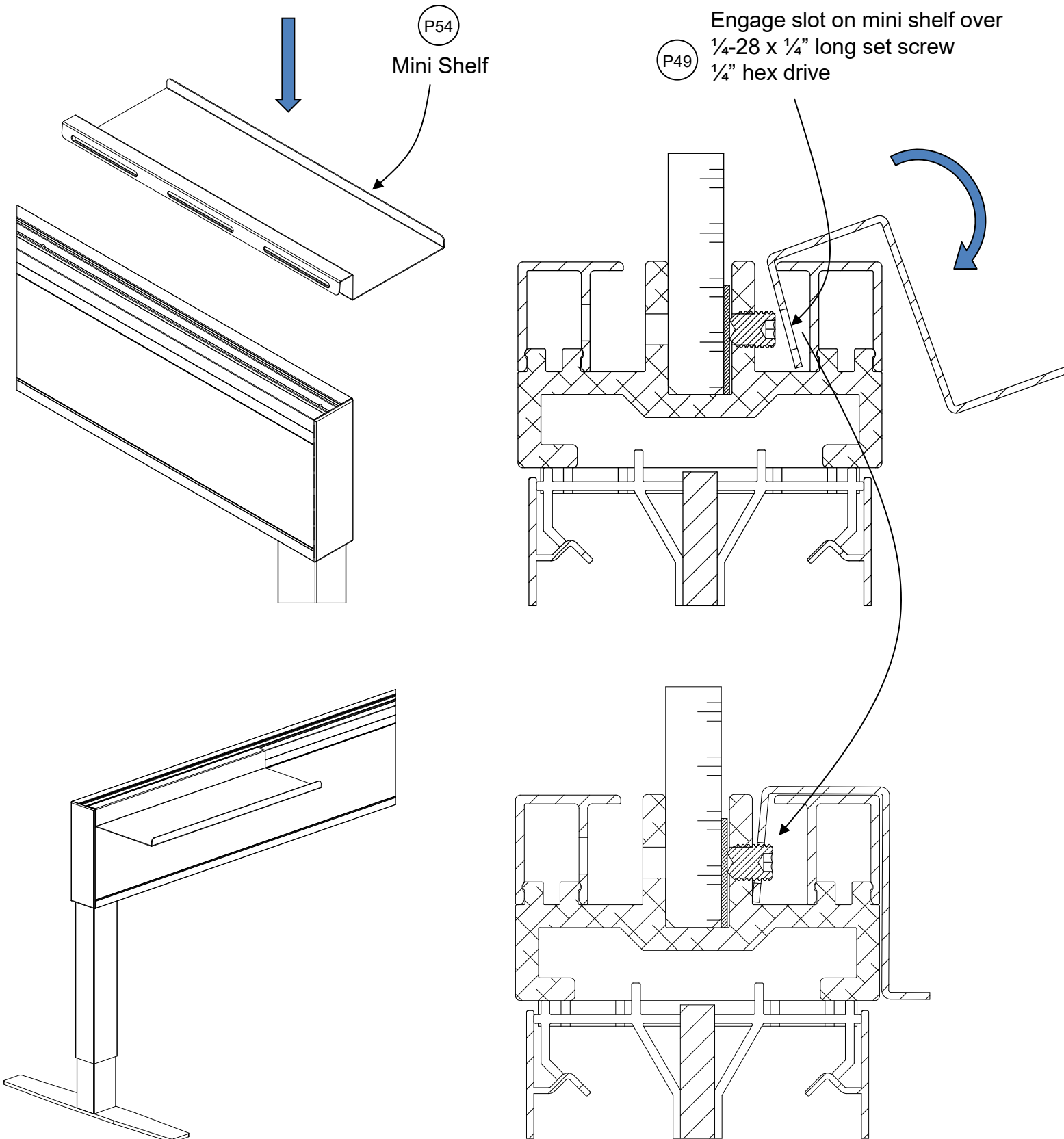


P19  
Flat Head Drilling Screw  
#6 x 1/2" long  
#2 Philips Drive  
3 places



# Encounter PowerBeam Installation Instructions

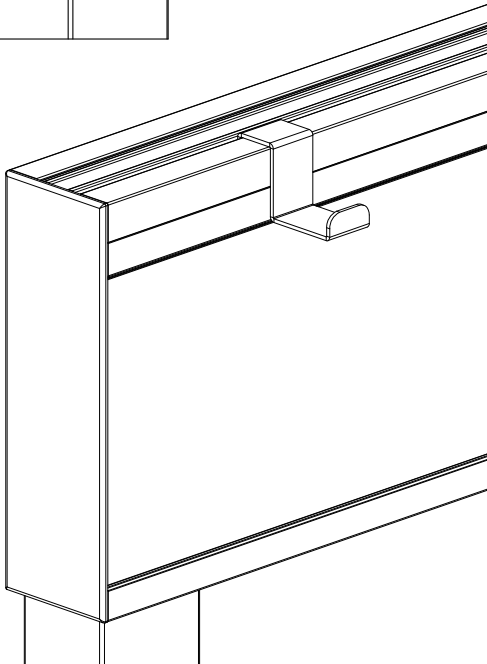
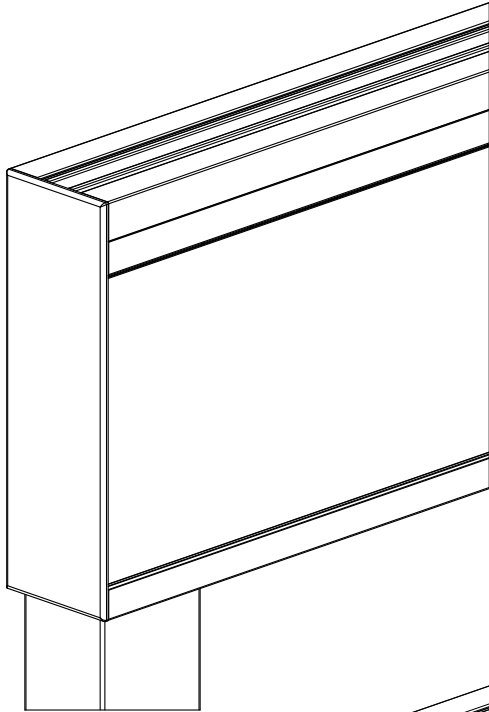
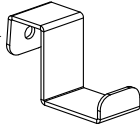
## Installing Mini Shelf



# Encounter PowerBeam Installation Instructions

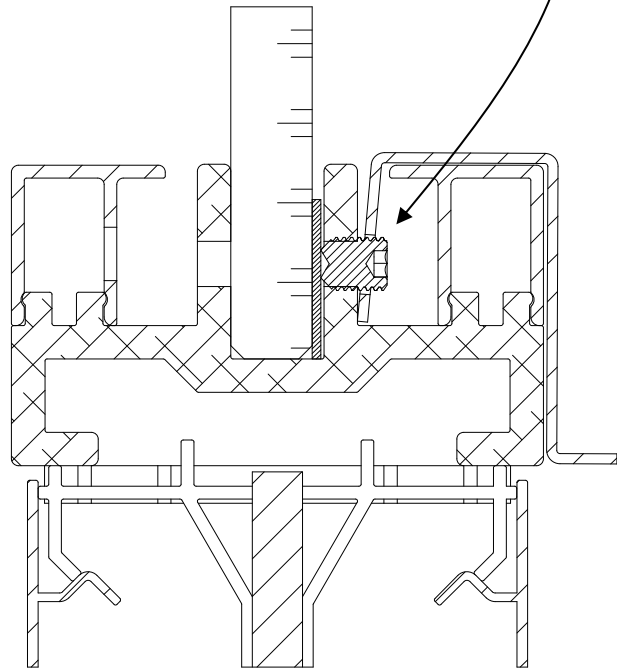
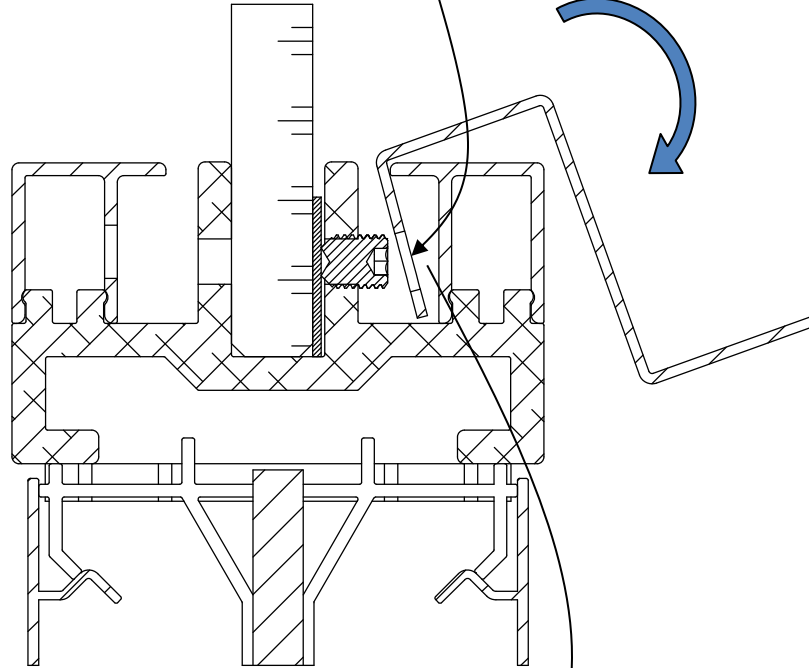
## Installing Bag Hooks

P55  
Bag Hook



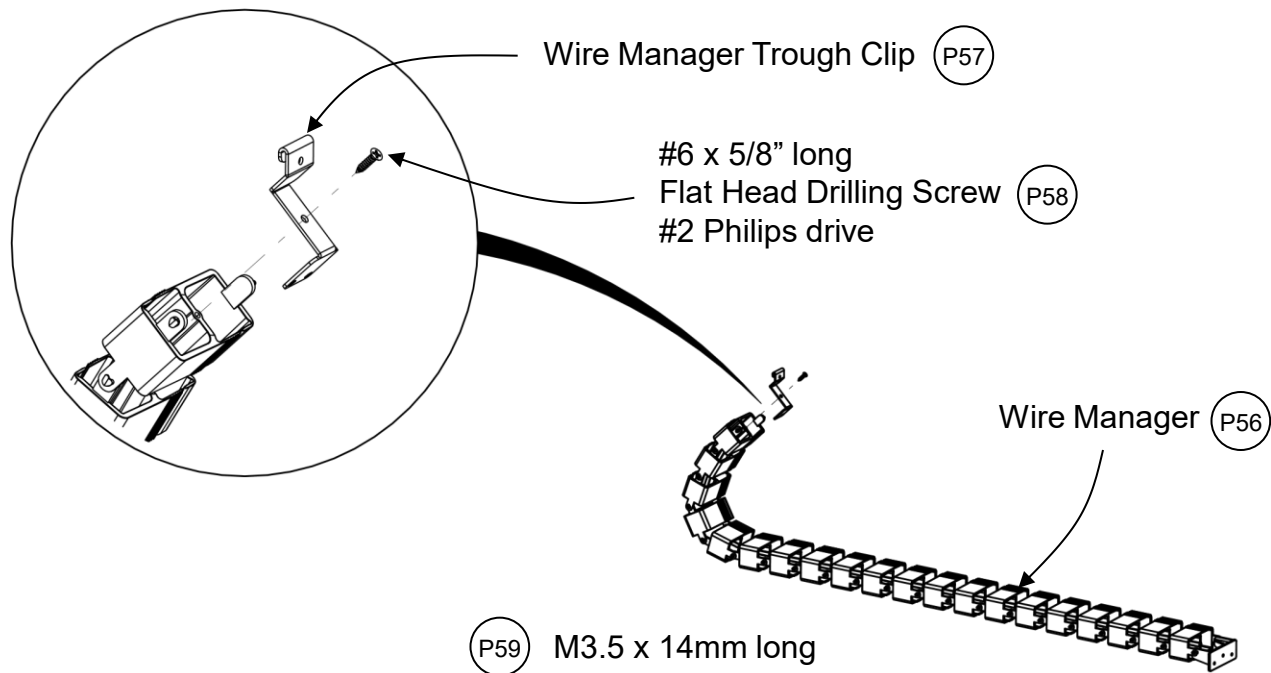
Engage slot on mini shelf over  
1/4-28 x 1/4" long set screw  
1/4" hex drive

P49



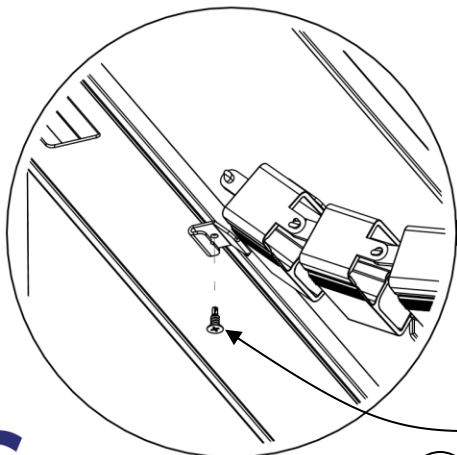
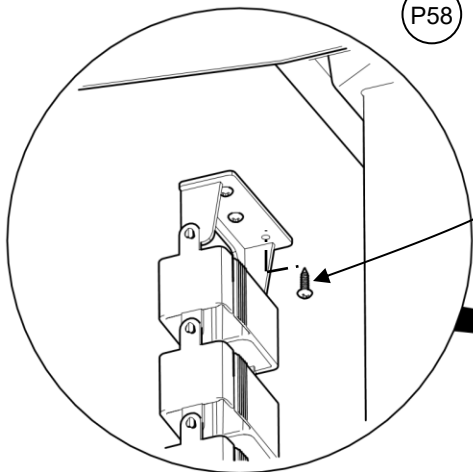
# Encounter PowerBeam Installation Instructions

## Installing Desking Vertical Wire Managers



(P59) M3.5 x 14mm long  
Round Head Drilling Screw  
#2 Philips drive  
Or

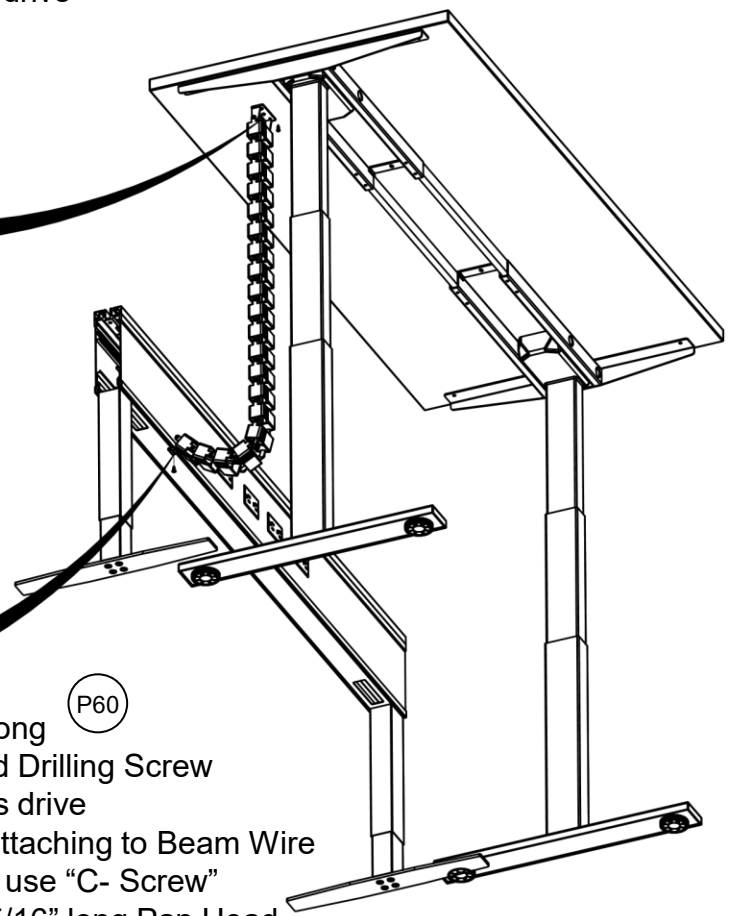
(P58) #6 x 5/8" long  
Flat Head Drilling Screw  
#2 Philips drive



(P34) #8-32 x 5/16" long Pan Head  
#2 Philips drive

(P60) #8 x 1/2" long  
Flat Head Drilling Screw  
#2 Philips drive

Note: If attaching to Beam Wire  
Manager use "C- Screw"



# Encounter PowerBeam Installation Instructions

## Installing PowerBeam Wall Anchors



### Important Notes:

- Customer must ensure structural integrity of the wall is sufficient to support the wall mounted product. All wall mounting hardware (not included) should be securely fastened to the studs on the load bearing wall.
- Wall Anchors are to be used in addition to post legs for structural support against a wall. The anchor brackets are NOT to replace any post legs.

