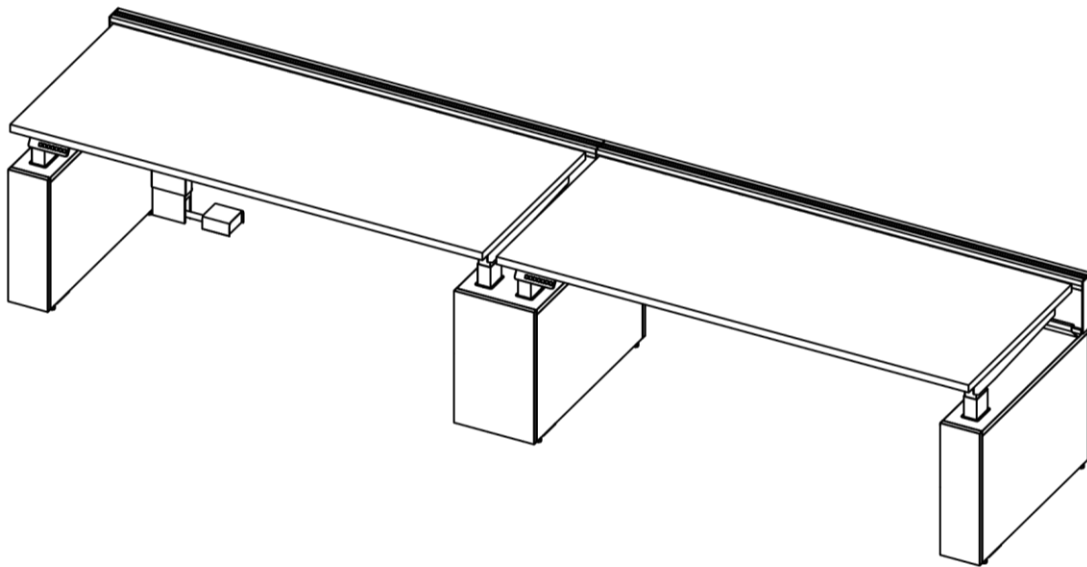


Encounter PowerBench Laminate Base Single Sided Installation Instructions

Date	Page No.	Description of change	Name
03/04/2024	1-34	Released	S. Powers
04/10/2025	33	Added detail for using 90° cables	S. Powers
05/28/2025	16, 18	Changed size to 54 on Step 6, 7b	P. Day
10/17/2025	5, 6, 7, 9	Updated part numbers	S. Powers
03/09/2026	6,16,18	Updated beam support bracket	S. Powers



Encounter PowerBench Laminate Base Single Sided Installation Instructions

*****READ ALL INSTRUCTIONS BEFORE USING*****

- For commercial use only.
- Warning: Risk of Injury – Maximum load 275 lbs. 2 leg, 325 lbs. 3 leg
- Electrical rating: 120V, 60Hz, 4 AMP for 2 leg tables
120V, 60Hz, 5 AMP for 3 leg tables
- No more than 12 furnishings can be connected on one branch circuit.

IMPORTANT SAFETY INSTRUCTIONS

DANGER – To reduce risk of electric shock:

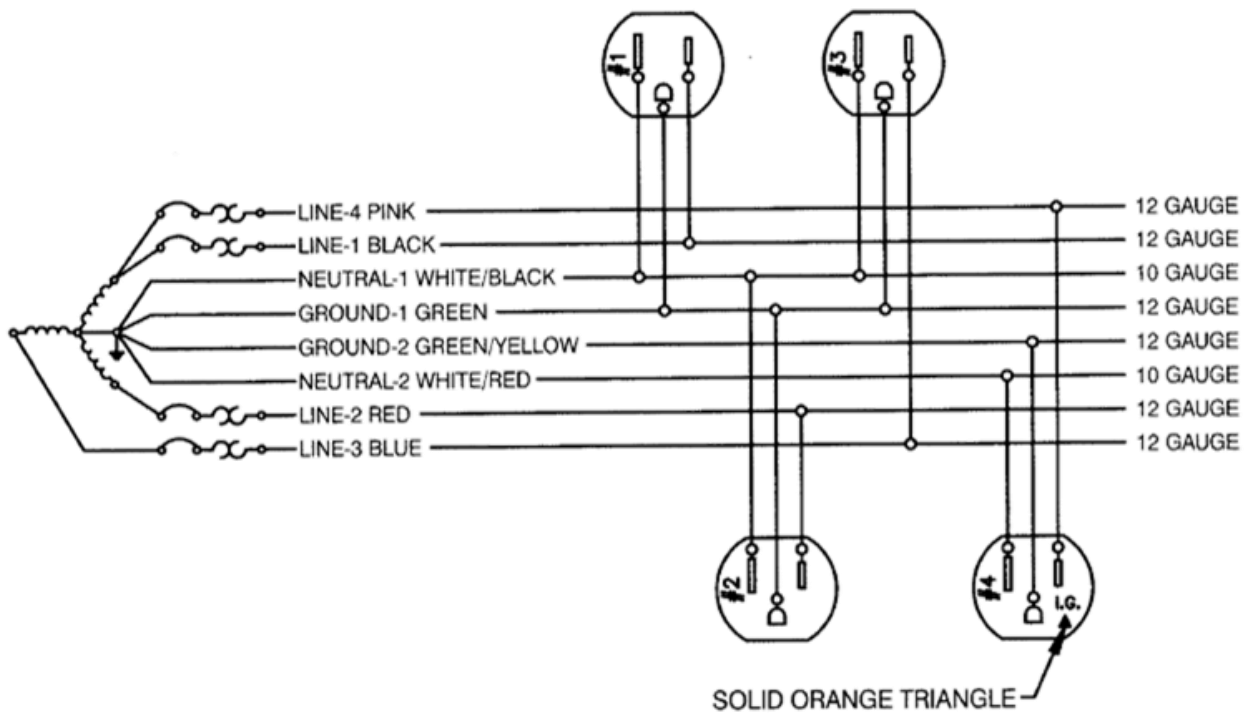
- Always unplug furnishing from the electrical outlet before cleaning or servicing.

WARNING – To reduce the risk of burns, fire, electric shock, or injury to persons:

- Unplug from outlet before putting on or taking off parts.
- Close supervision is necessary when this furnishing is used by, or near children, invalids or disabled persons.
- Review the assembly instructions to confirm that the appropriate critical components and accessories are being used with the furnishing.
- Never operate this furnishing if it has a damaged cord or plug, if it is not working properly, if it has been dropped or damaged, or dropped into water.
- Keep the cord away from heated surfaces.
- Never operate the furnishing with the air openings blocked. Keep the air openings free of lint, hair and the like.
- Do not use outdoors.
- To disconnect, turn all controls to the off position, then remove plug from outlet.
- Connect to a properly grounded outlet only. See grounding instructions.
- For loading always put heavier items at the bottom and not near the top in order to help prevent the possibility of the furnishing tipping over.

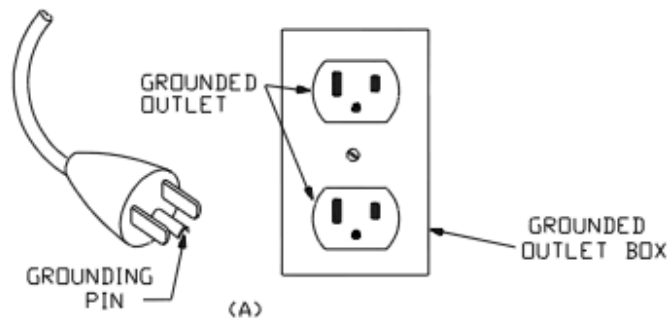
Encounter PowerBench Laminate Base Single Sided Installation Instructions

Wiring Schematic



GROUNDING INSTRUCTIONS

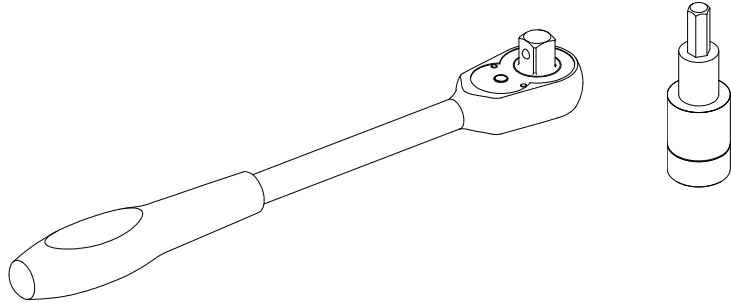
This product is for use on a circuit having a nominal rating more than 120 volts and is factory-equipped with specific electric plug to permit connection to a proper electric circuit. Make sure that the product is connected to an outlet having the same configuration as the plug. No adapter should be used with this product



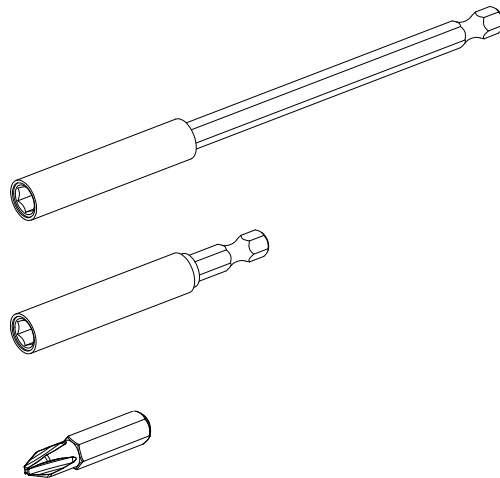
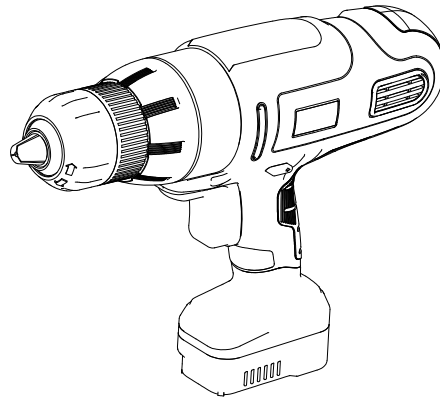
Encounter PowerBench Laminate Base Single Sided Installation Instructions

Recommended Tools:

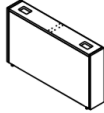
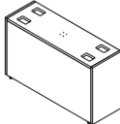
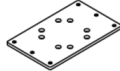
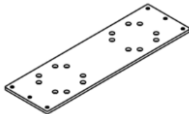
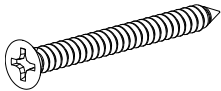

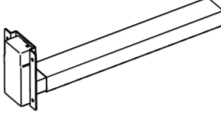

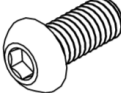

Small ratchet with:
3/16" Hex Tip
5/32" Hex Tip



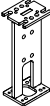



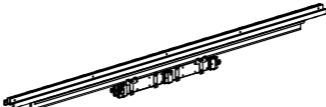
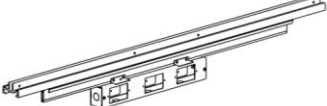
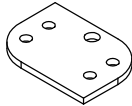
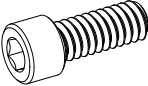

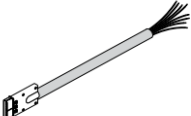
Cordless Drill with:
6" Magnetic Drill Extension
3" Magnetic Drill Extension
3/16" Hex Tip
5/32" Hex Tip
4mm Hex Tip
6mm Hex Tip
#2 Phillip Bit



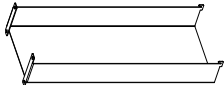
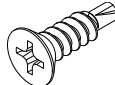

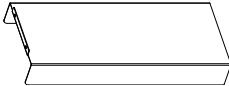
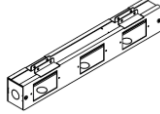

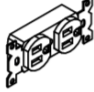

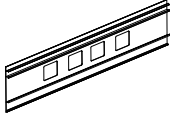
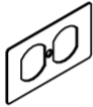
Encounter PowerBench Laminate Base Single Sided Installation Instructions

Item	Replacement Part number	Circle Sheet Part Number	Description	Image
P1	CG-REPLACE		Single 6" Laminate Case	
P2	CG-REPLACE		Double 12" Laminate Case	
P3	RWFS-BBP	RWFS-BBP	Single 6" Base Plate	
P4	RWFS-BBDP	RWFS-BBDP	Double 12" Base Plate	
P5	RH-SMZFP102B	RH-SMZFP102B	#10 X 2" Flat Head Screw	
P6	RL-PLG2	RL-PLG2	Trim Ring	
P7	RWFS-2L2SE-ECx (x = S, W or B)	RWFS-2L2SE-ECx (x = S, W or B)	Height Adjustable Column 50mmX80mm	
P8	RH-91420A425	RH-91420A425	M6 x 14mm Flat Head Screw	
P9	RH-94500A315	RH-94500A315	M6 x 14mm Button Head Cap Screw	
P10	T-BRBxx xx = 36-96 (in increments of 6")	DD-BRBxx xx = 36-96 (in increments of 6")	Spin Beam Base	


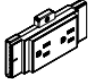
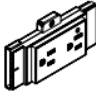

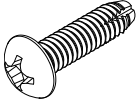

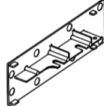




Encounter PowerBench Laminate Base Single Sided Installation Instructions

Item	Replacement Part number	Circle Sheet Part Number	Description	Image
P11	T-BRVS	DD-BRVS-I	Vertical	
P12	RH-QS0978	RH-QS0978	#9 x 7/8" Flat Head Screw	
P13	T-BCV	DD-BIS	Center Support Bracket	
P14	T-BRTxx xx = 36 – 96 (in increments of 6")	DD-BRTxx-P xx = 36 – 96 (in increments of 6")	Top Beam Non-Powered	
P15	T-BPxx xx = 36 – 96 (in increments of 6")	T-BPxx xx = 36 – 96 (in increments of 6")	Top Beam Powered	
P16	T-BPCxx xx = 36 – 96 (in increments of 6")	T-BPCxx xx = 36 – 96 (in increments of 6")	Top Beam Chicago Powered	
P17	O-TB	OX-TP-I	Twist Plate	
P18	RH-SHB142058B-I	RH-SHB142058B-I	Hex Cap Screw 1/4-20 x 5/8"	
P19	RH-90604A556	RH-90604A556	#6-32 x 3/16" long Pan Head Screw	
P20	E-UN8W4BIFS	E-UN8W4BIFS	Standard Side-Mounted Base In-Feed 72"	


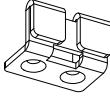




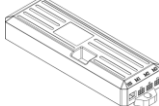
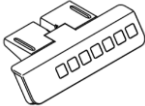



Encounter PowerBench Laminate Base Single Sided Installation Instructions

Item	Replacement Part number	Circle Sheet Part Number	Description	Image
P21	T-BUMP29	DD-BVWMS29	Vertical Wire Manager Shell	
P22	RH-TSSF612	RH-TSSF612	Flat Head Drilling Screw #6 X 1/2" long	
P23	T-BVWMTS	DD-BVWMTS	Vertical Wire Manager Base Shroud	
P24	T-BVWMC29	DD-BVWMC29	Vertical Wire Manager Cover 21H, 25H or 29H	
P25	T-BJB	DD-BCJB	Chicago Junction Box Base	
P26	RH-90056A143-I	RH-90056A143-I	Round Head Thread Forming Screw #6 x 3/16"	
P27			Chicago Outlet	
P28	RH-90273A144	RH-90273A144	Pan Head Screw #6-32 x 1/4"	
P29	T-BRCxx xx = 36 – 96 (in increments of 6")	DD-BRCxx-A xx = 36 – 96 (in increments of 6")	Beam Raceway Cover	
P30	E-UNJBCHC	RE-UNJBCHC	Chicago Outlet Cover	

Encounter PowerBench Laminate Base Single Sided Installation Instructions

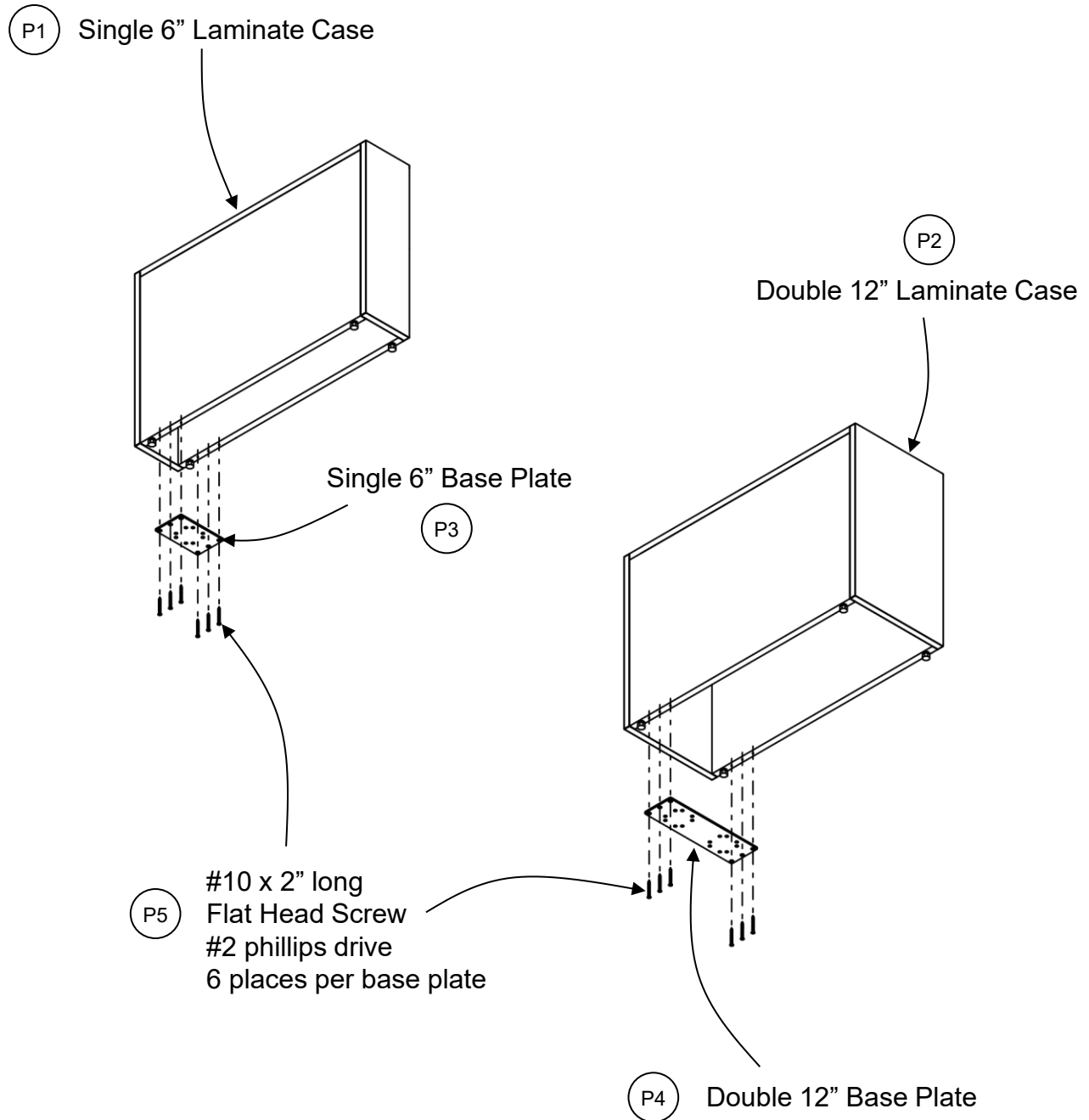
Item	Replacement Part number	Circle Sheet Part Number	Description	Image
P31	RE-MXHS632	RE-MXHS632	Flat Head Screw #6-32 x 1/2"	
P32	E-MW8W4DOx x = 1,2,3 or 4	E-MW8W4Dx x = 1,2,3 or 4	Duplex Outlet Line 1 - 4	
P33	E-MW8W4T24DOx x = 1,2,3 or 4	RSP-000000297x x = 1,2,3 or 4	Duplex Outlet CA Title 24 Line 1 - 4	 
P34	RE-HS1058F	RE-HS1058F	Pan Head Thread Cutting Screw #10-24 x 5/8"	
P35	See Catalog		18-86" Electrical Jumper 18,21 = mesh 24-86 = metal	
P36	T-BREC	DD-BREC	End Cap	
P37	P-WASHER14	RP-WASHER14-I	Washer	
P38	RA-HNZ1420	RA-HNZ1420	Flange Nut 1/4-20	
P39	DD-BCPFE-04	DD-BCPFE-04	Shim	
P40	T-BOC	RE-BOC	Blank Outlet Cover	

Encounter PowerBench Laminate Base Single Sided Installation Instructions

Item	Replacement Part number	Circle Sheet Part Number	Description	Image
P41	O-SBCxx xx = 36-96 (in increments of 6")	OX-SBCxx-A xx = 36-96 (in increments of 6")	Top Cover	
P42	T-BAM	DD-BAM	Beam Accessory Mount Bracket	
P43	T-BPCTxx	DD-BUTxx	Beam Power Cord Tray 36W-72W	
P44	RH-SMZFP142B	RH-SMZFP142B	#14 x 2" Flat Head Screw	
P45	RP-PSS1-C	RP-PSS1-C	#10 x 1" Pan Head Screw	
P46	WPS-HS60	RWPS-HS60	U-Channel	
P47	RL-2LCB	RL-2LCB	2-Input Control Box	
P48	RL-PHS	RL-PHS	Hand Switch	
P49	RS-HSFDU812	RS-HSFDU812	#8 X 1/2" Pan Head Screw	
P50	RL-2LCK	RL-2LCK	1.3M Cable	
P51	RL-JCPWRCRD	RL-JCPWRCRD	Power Cord	

Encounter PowerBench Laminate Base Single Sided Installation Instructions

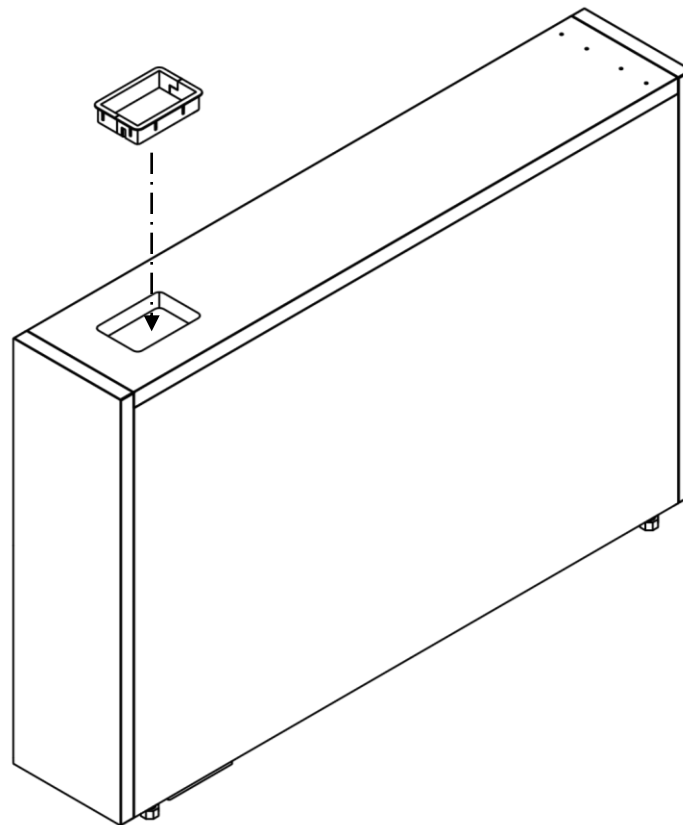
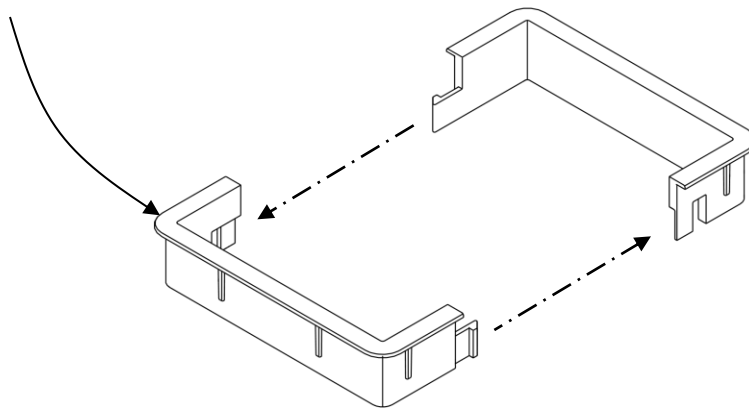
Step 1: Install base plates to the bottom of the laminate cases using #10 x 2" screws.



Encounter PowerBench Laminate Base Single Sided Installation Instructions

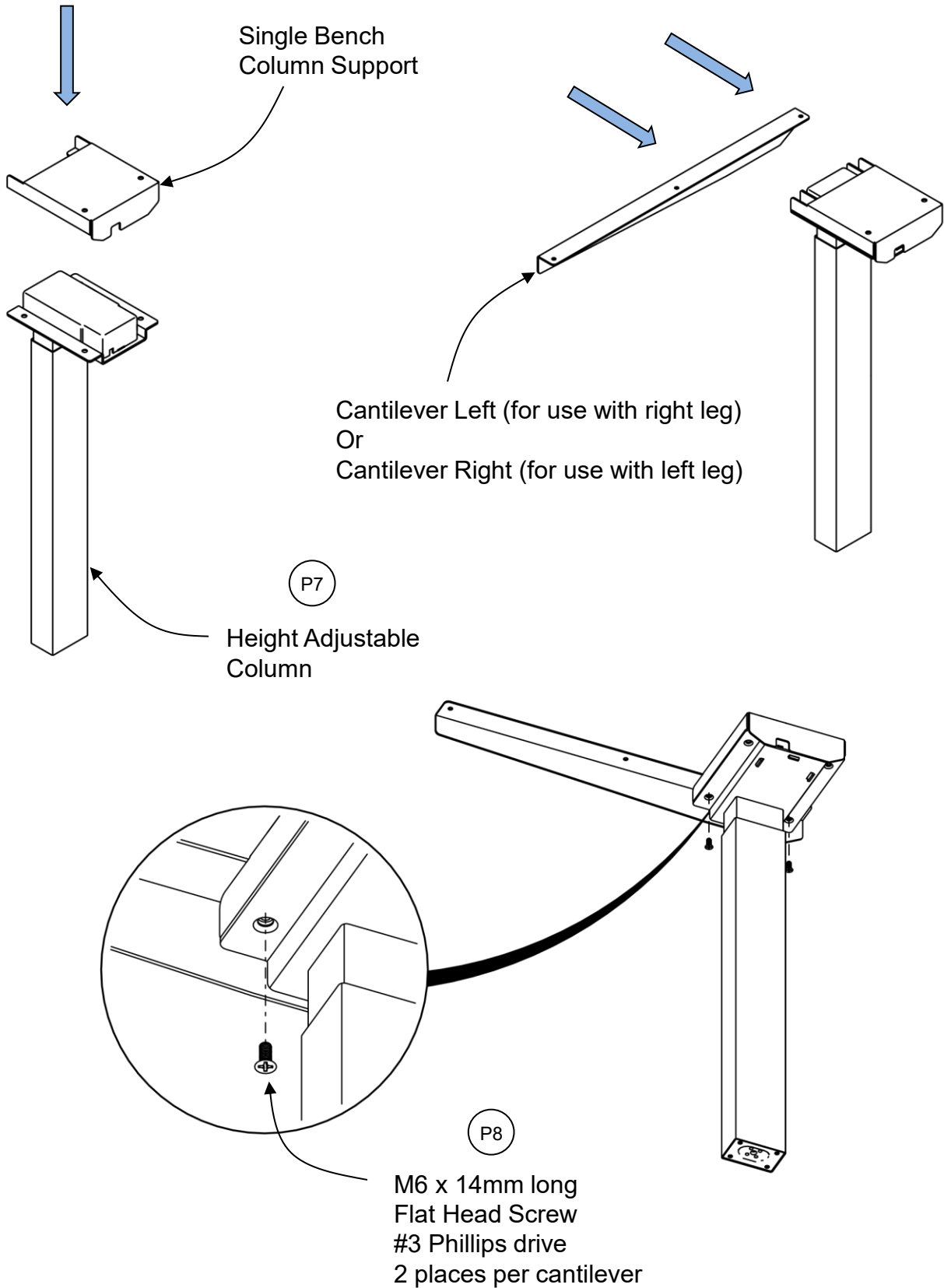
Step 2: Snap trim rings together and install into the leg cutouts in the laminate case.

P6 Trim Ring
2 places per leg cutout



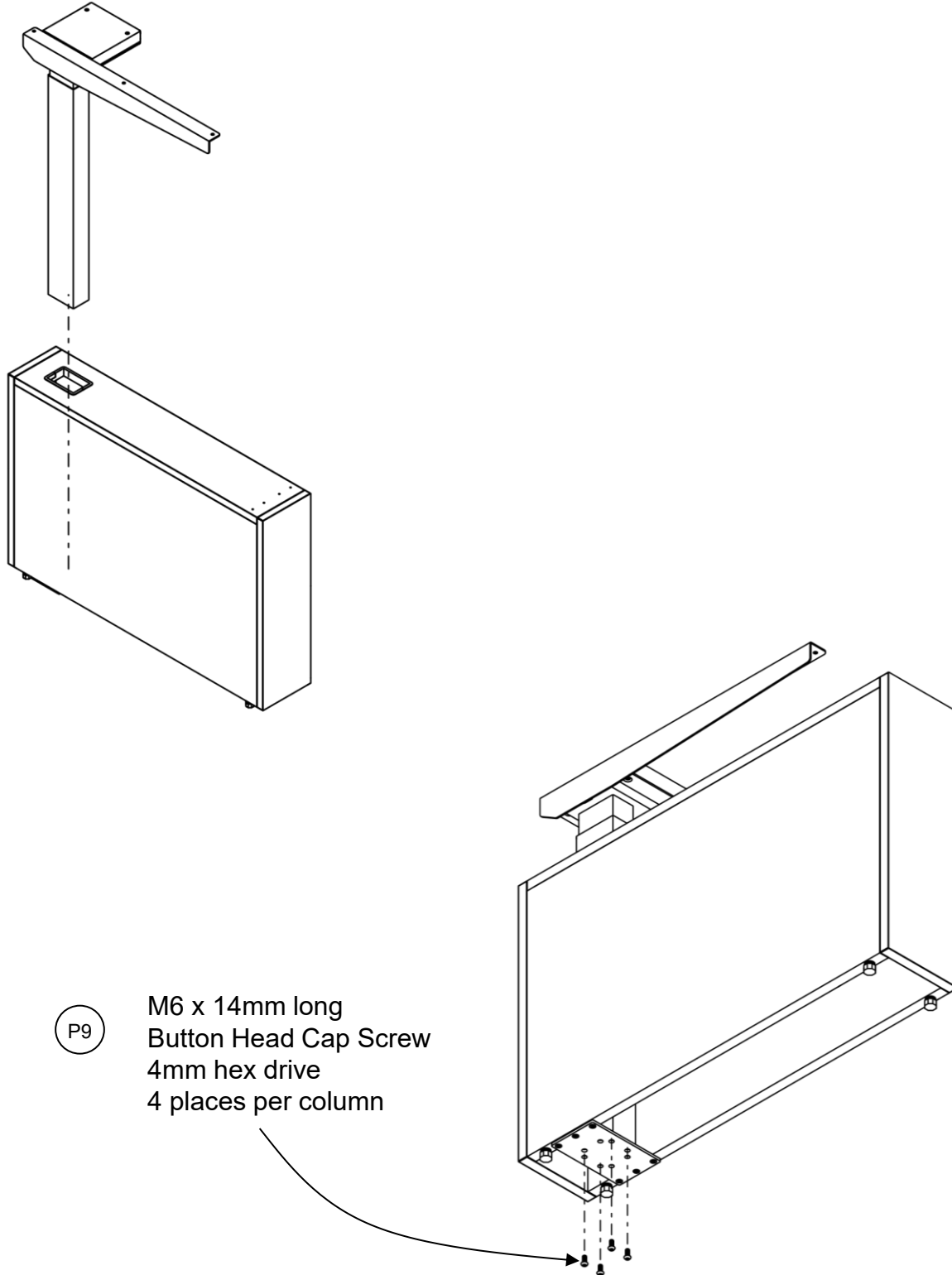
Encounter PowerBench Laminate Base Single Sided Installation Instructions

Step 3: Install single bench column supports and cantilevers to legs.



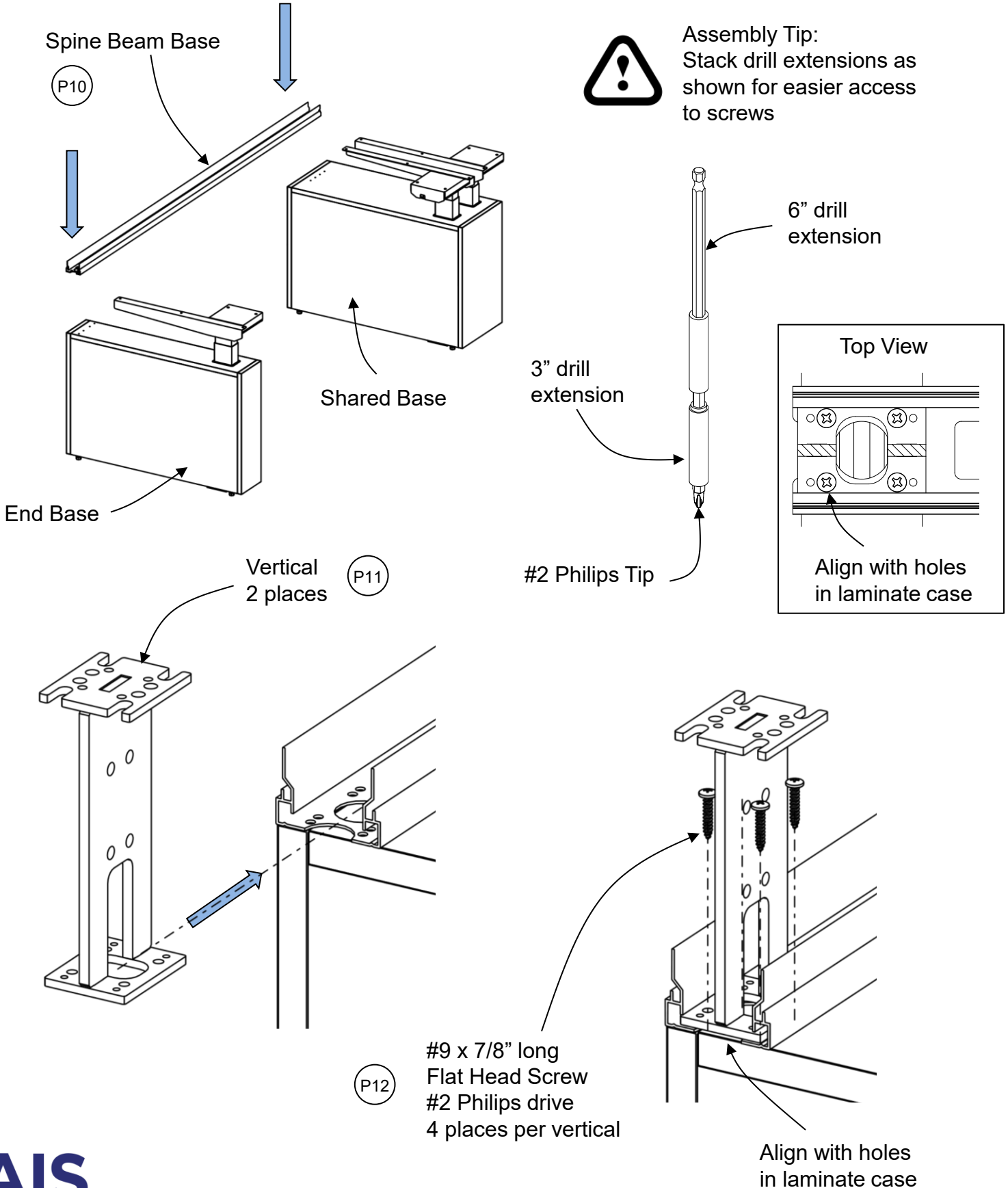
Encounter PowerBench Laminate Base Single Sided Installation Instructions

Step 4: Install the height adjustable columns into the laminate case and secure using M6 x 14mm screws.



Encounter PowerBench Laminate Base Single Sided Installation Instructions

Step 5a: Position the spine beam base on the laminate cases. Secure in place using (2) verticals and #9 x 7/8" screws.

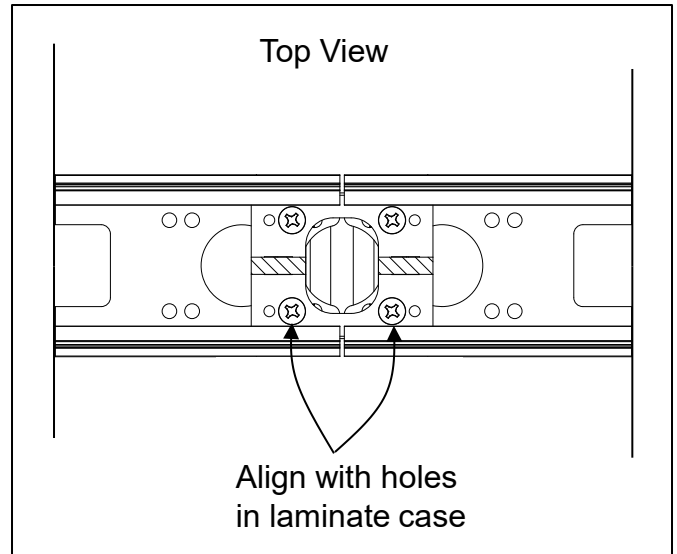
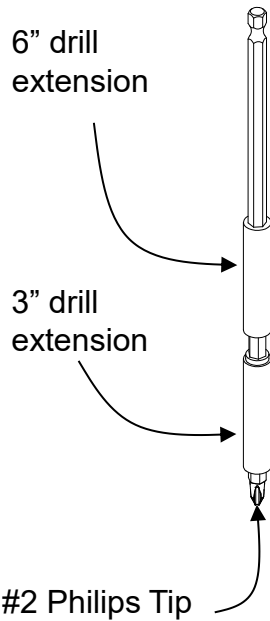


Encounter PowerBench Laminate Base Single Sided Installation Instructions

Step 5b: For shared laminate bases, install the spine beam base as shown.

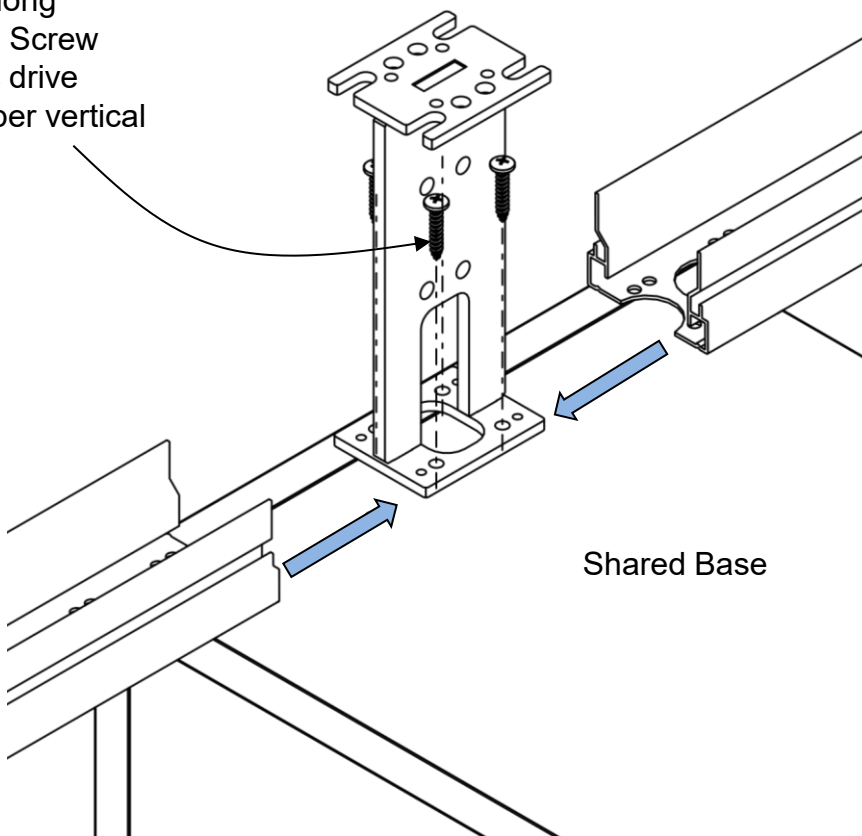


Assembly Tip:
Stack drill extensions as shown for easier access to screws



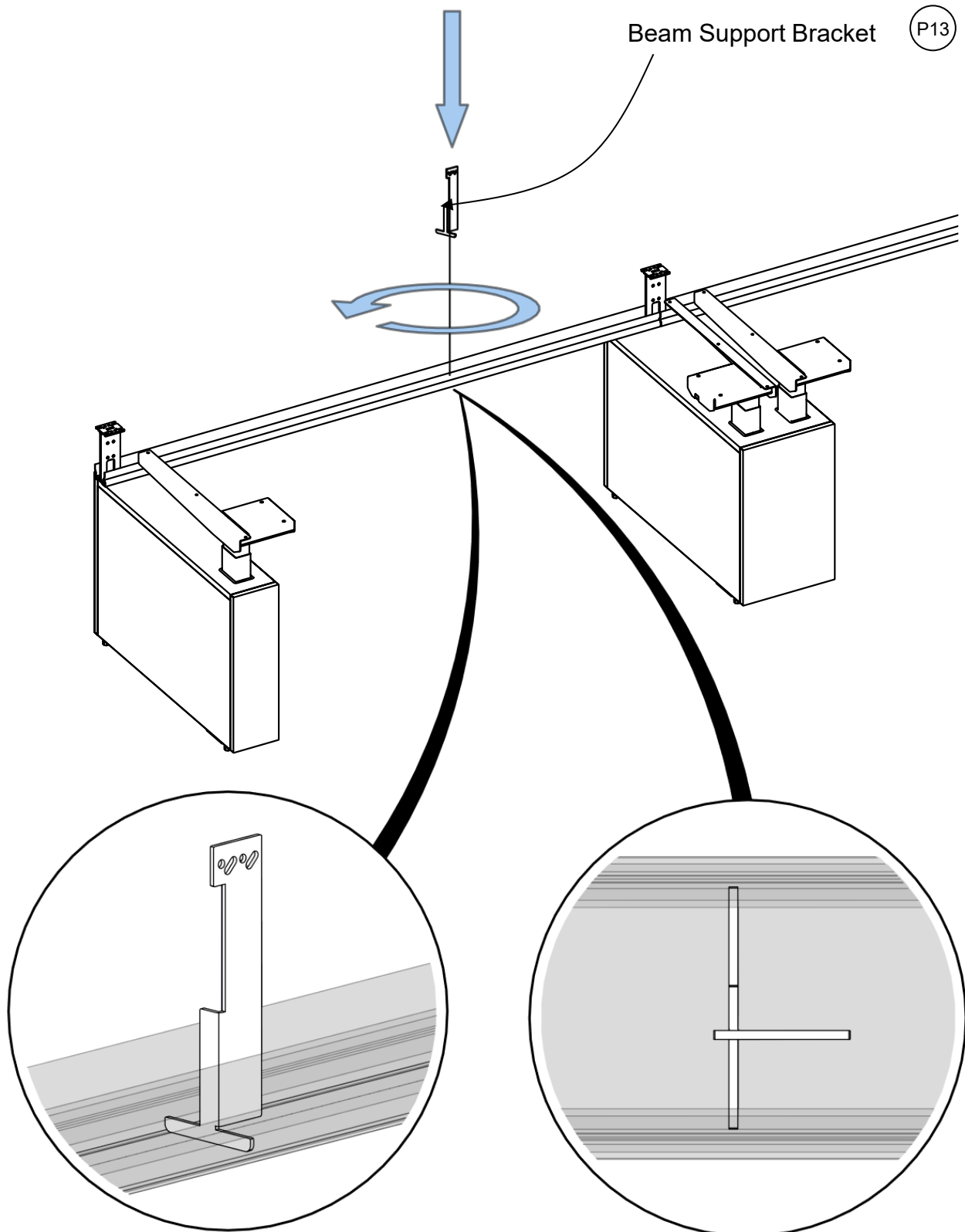
P12

#9 x 7/8" long
Flat Head Screw
#2 Philips drive
4 places per vertical



Encounter PowerBench Laminate Base Single Sided Installation Instructions

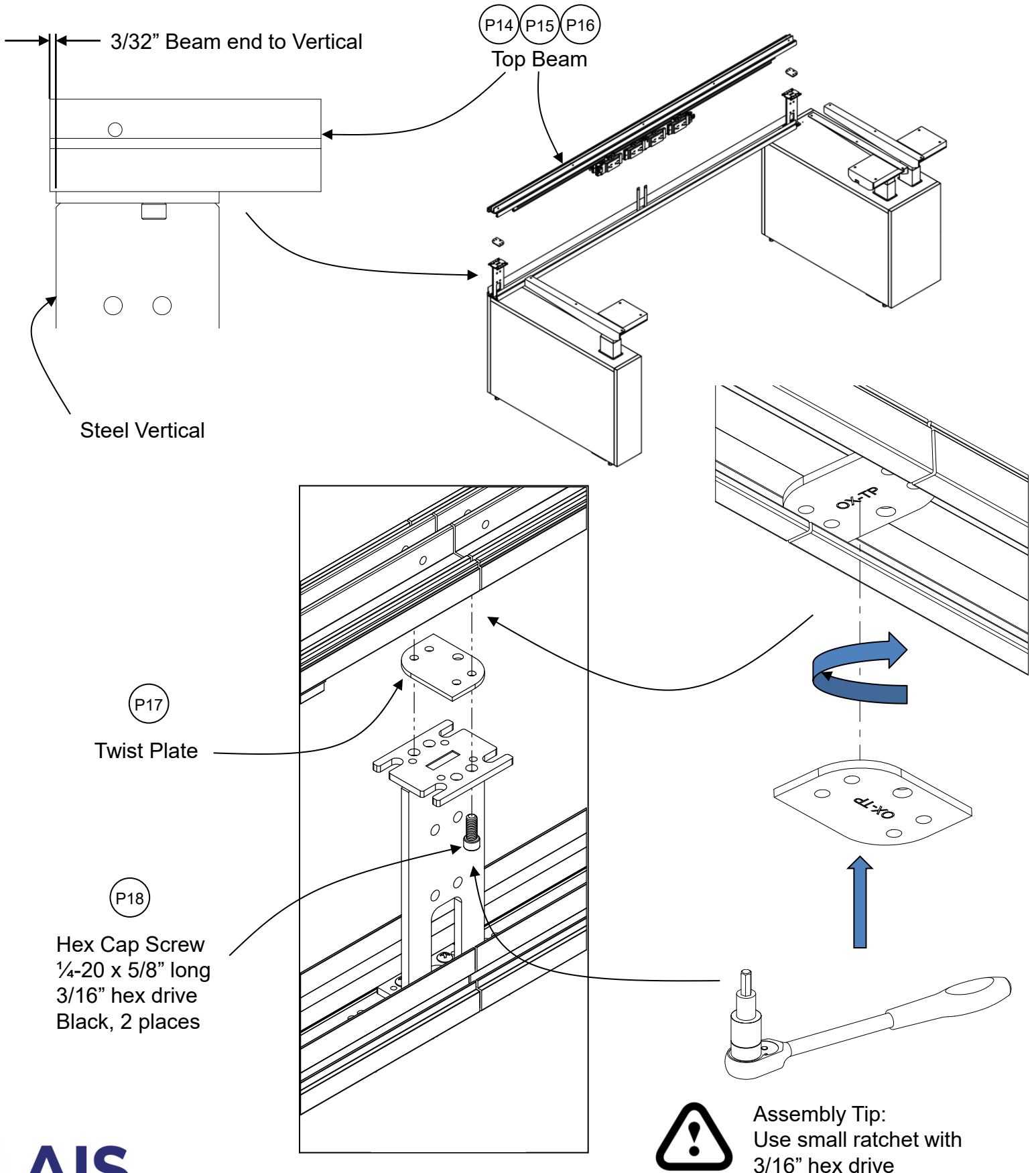
Step 6 (for sizes 54W and up only): Place beam support bracket in Beam Base channel. Bracket will be secured in place in Step 7.



Top View

Encounter PowerBench Laminate Base Single Sided Installation Instructions

Step 7a: Install Beam Top Assembly using Twist Plates and (2) 1/4-20 x 5/8" Cap Screws.

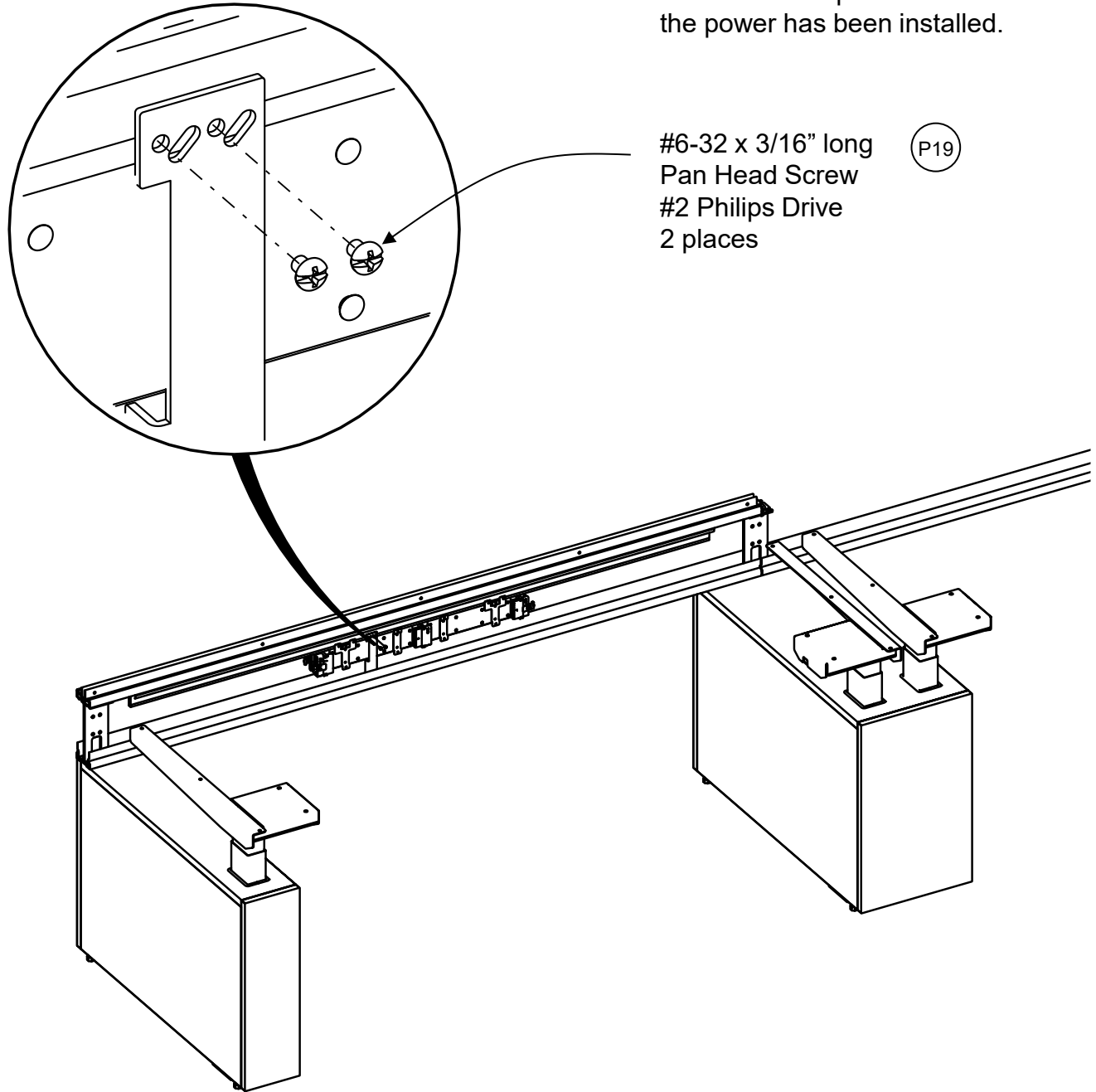


Encounter PowerBench Laminate Base Single Sided Installation Instructions

Step 7b (For sizes 54W and up with power): When positioning Top Beam Assembly, carefully position the power inside the Support Bracket.

Note:

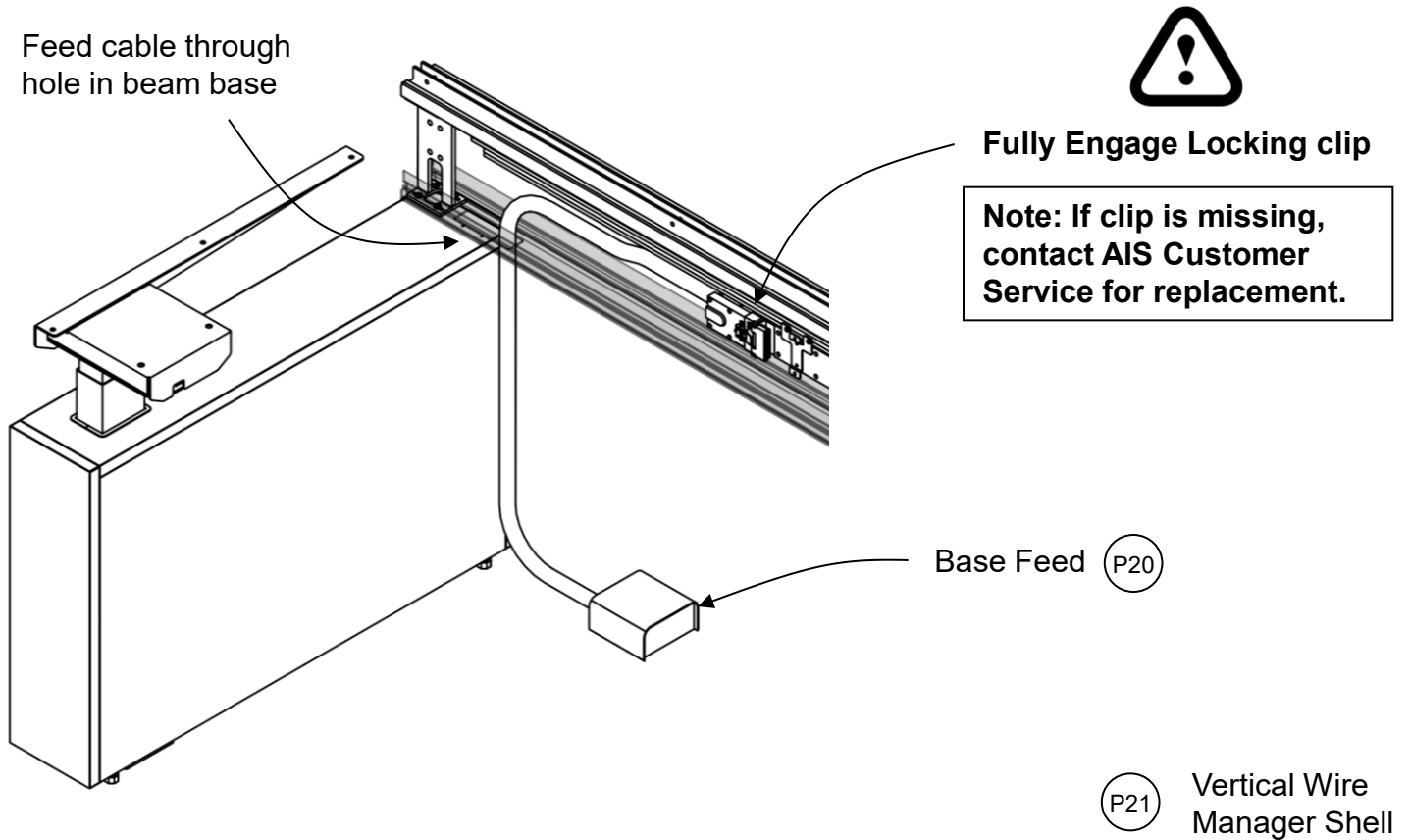
If installing Chicago Powered Spine Beam Kits, the center support bracket will need to be placed off center after the power has been installed.



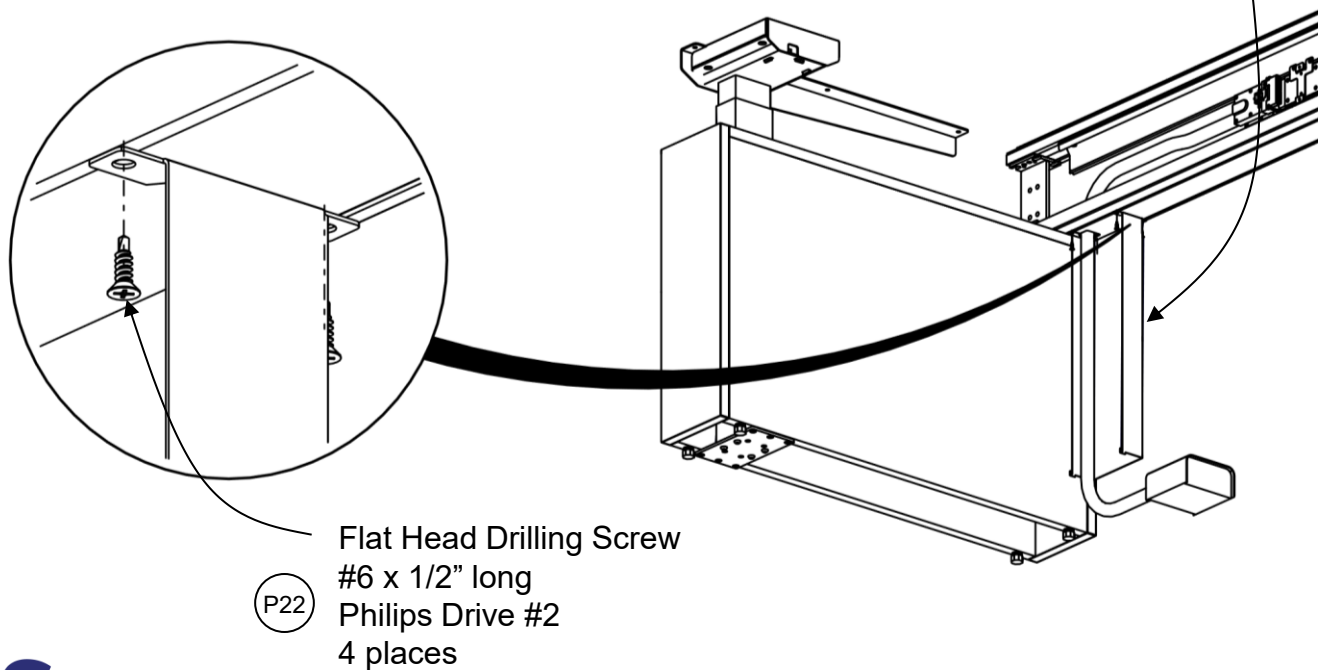
Encounter PowerBench Laminate Base Single Sided Installation Instructions

Installing Base Feed and Vertical Wire Manager

Step 1: Install Base Feed.

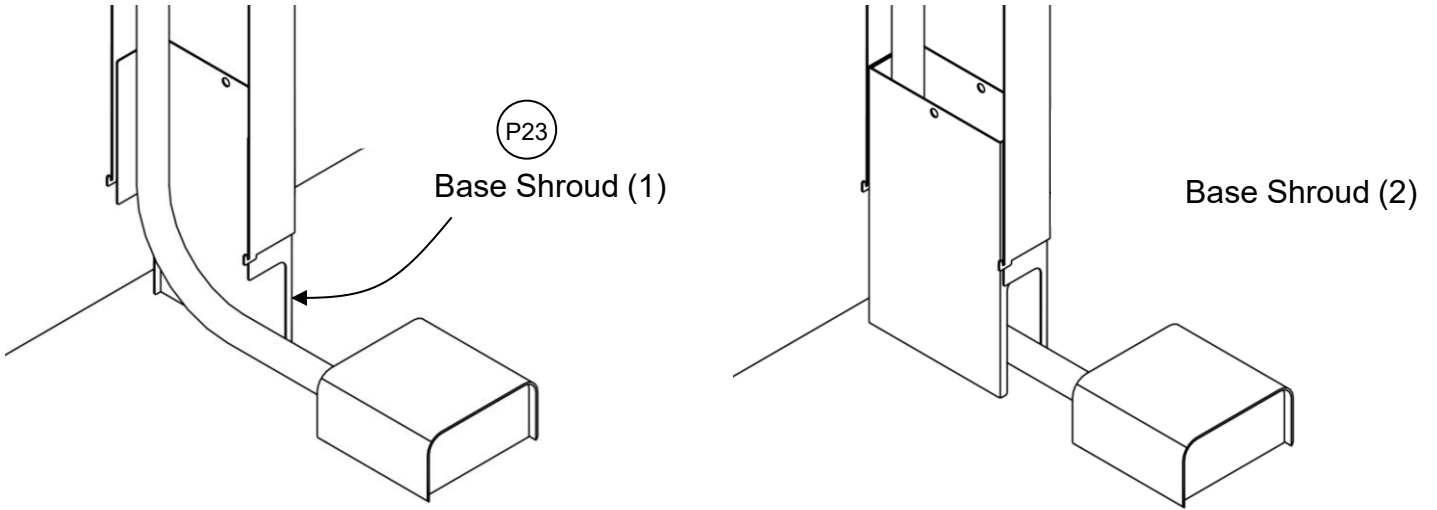


Step 2: Install Vertical Wire Manager Shell.

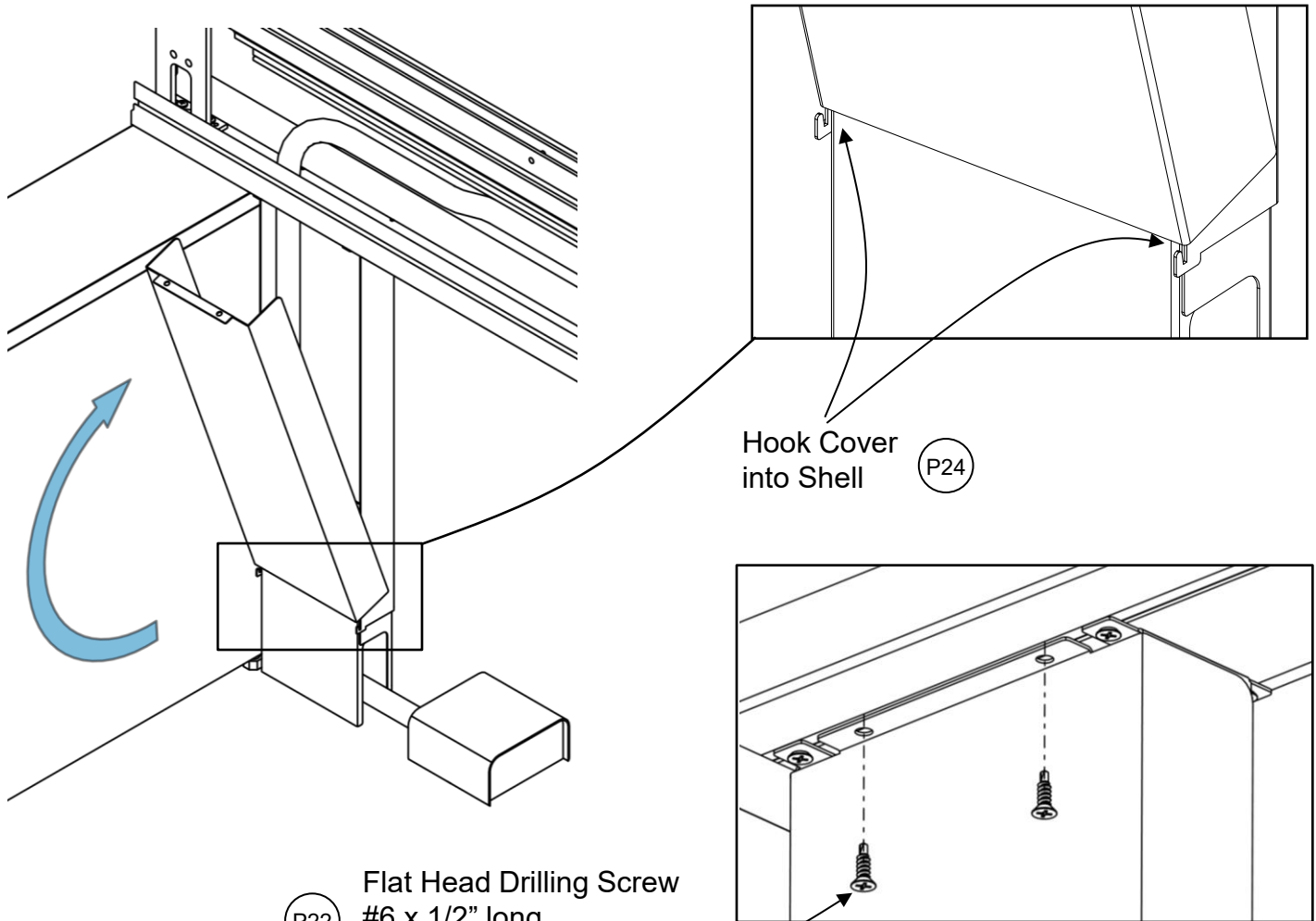


Encounter PowerBench Laminate Base Single Sided Installation Instructions

Step 3: Install (2) Vertical Wire Manager Base Shroud.

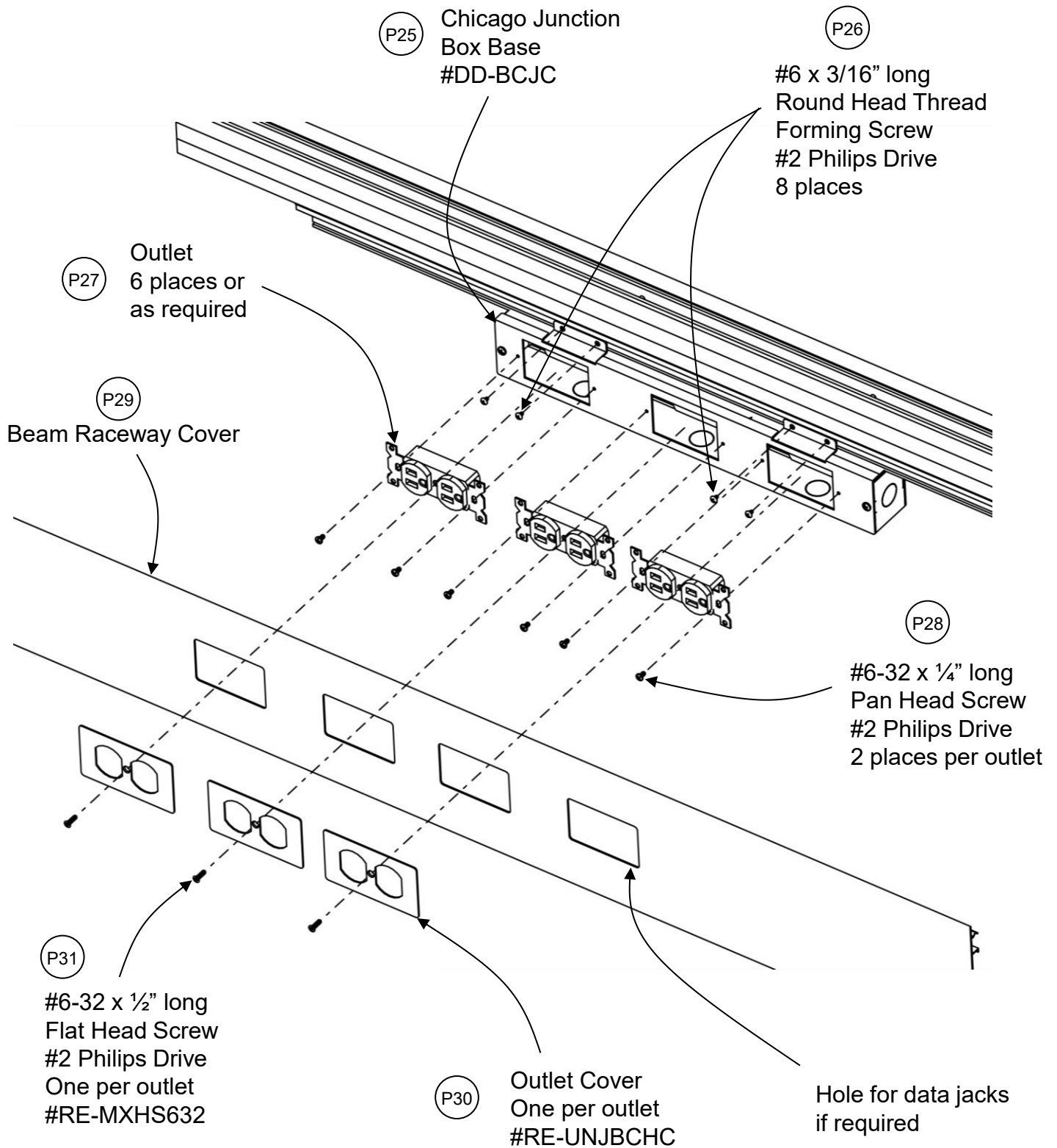


Step 4: Install (2) Vertical Wire Manager Cover.



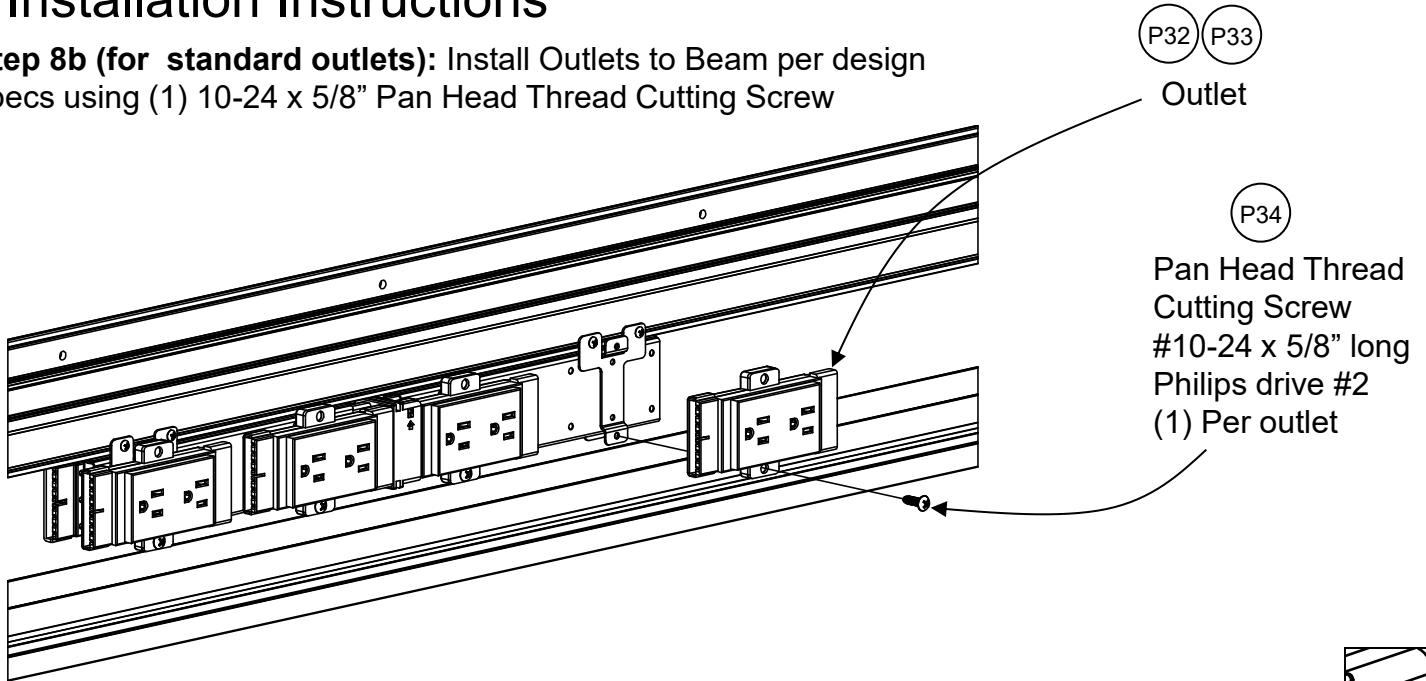
Encounter PowerBench Laminate Base Single Sided Installation Instructions

Step 8a (for Chicago Power only): Install Chicago Power Box to Spine Beam.
Note: Chicago power should be installed to local coded by a licensed electrician.



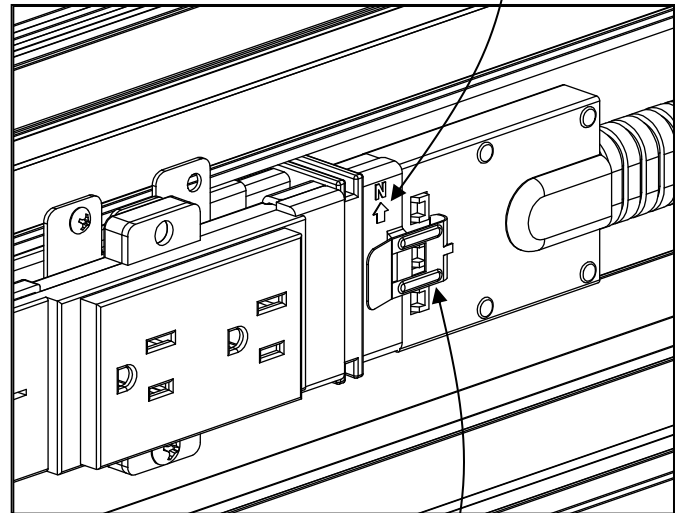
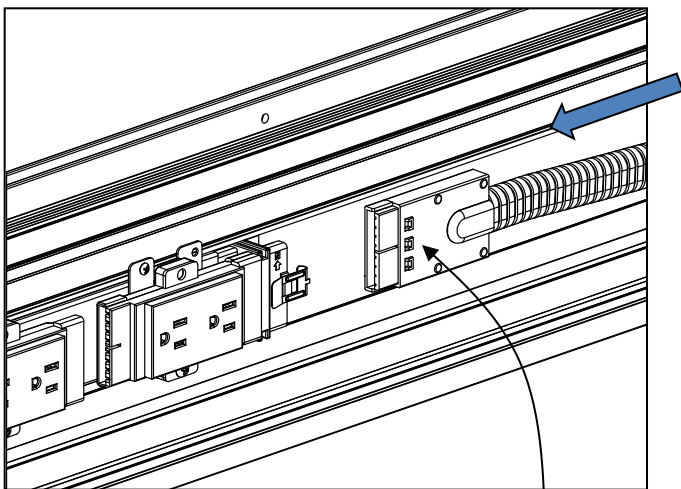
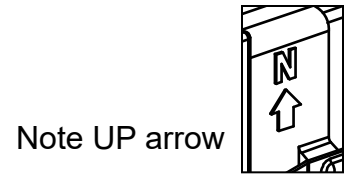
Encounter PowerBench Laminate Base Single Sided Installation Instructions

Step 8b (for standard outlets): Install Outlets to Beam per design specs using (1) 10-24 x 5/8" Pan Head Thread Cutting Screw



P35

Step 9: Plug Jumpers into powerway, making sure to fully engage locking clip!



Engage clip **HERE**

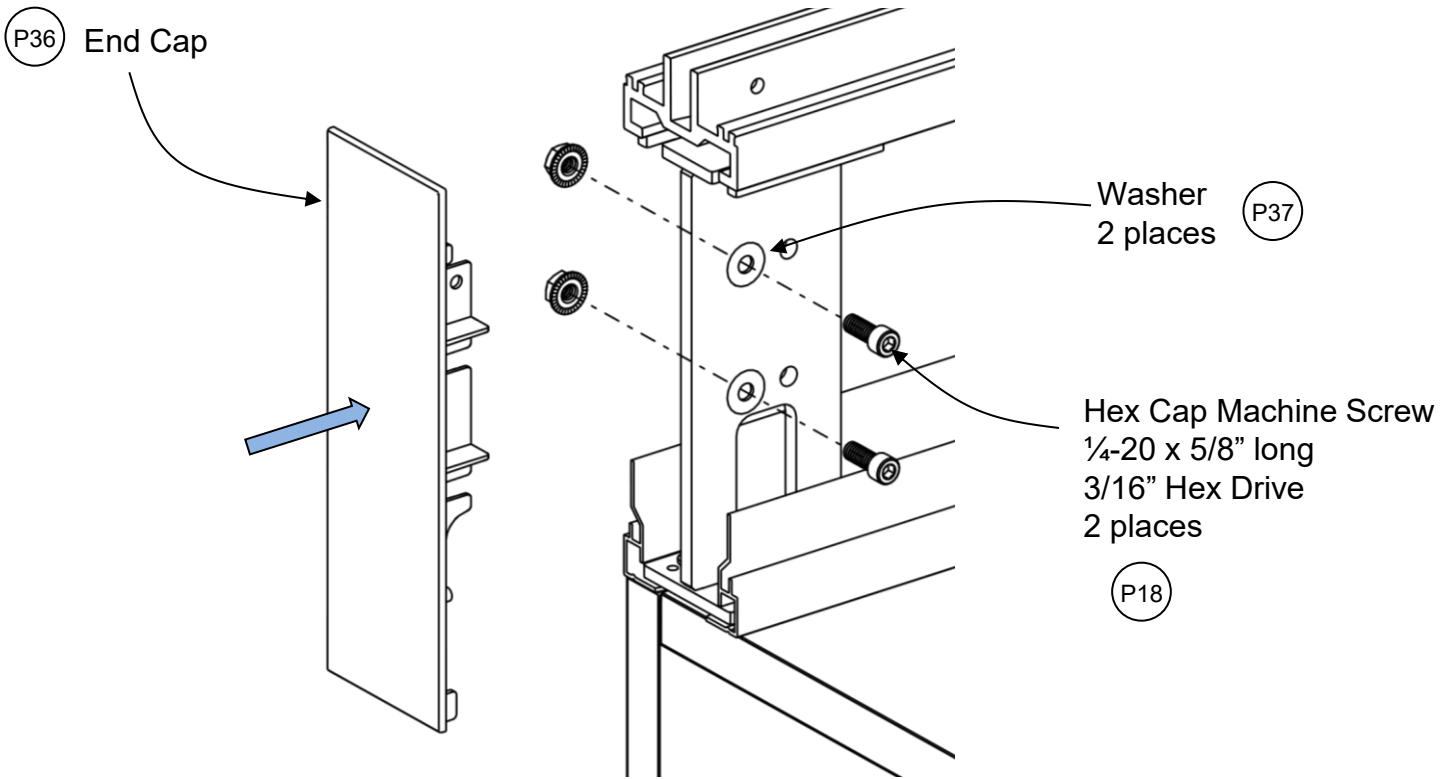
Fully Engage Locking clip



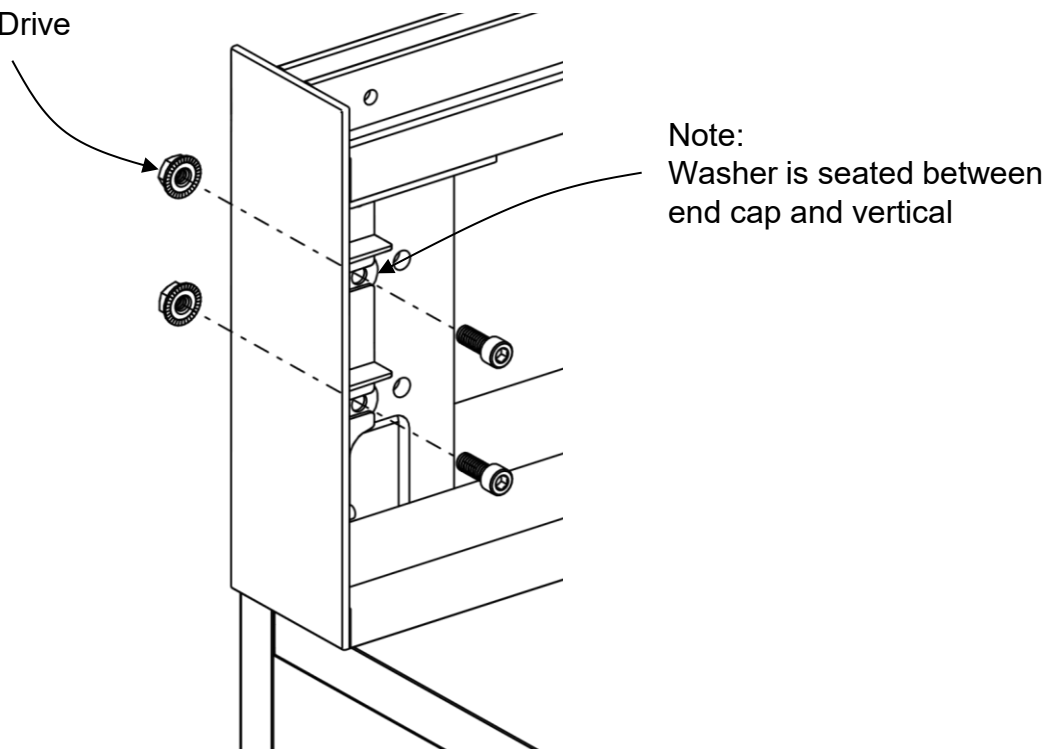
Note: If clip is missing, contact AIS Customer Service for replacement.

Encounter PowerBench Laminate Base Single Sided Installation Instructions

Step 10: Install End Caps. DO NOT over torque.

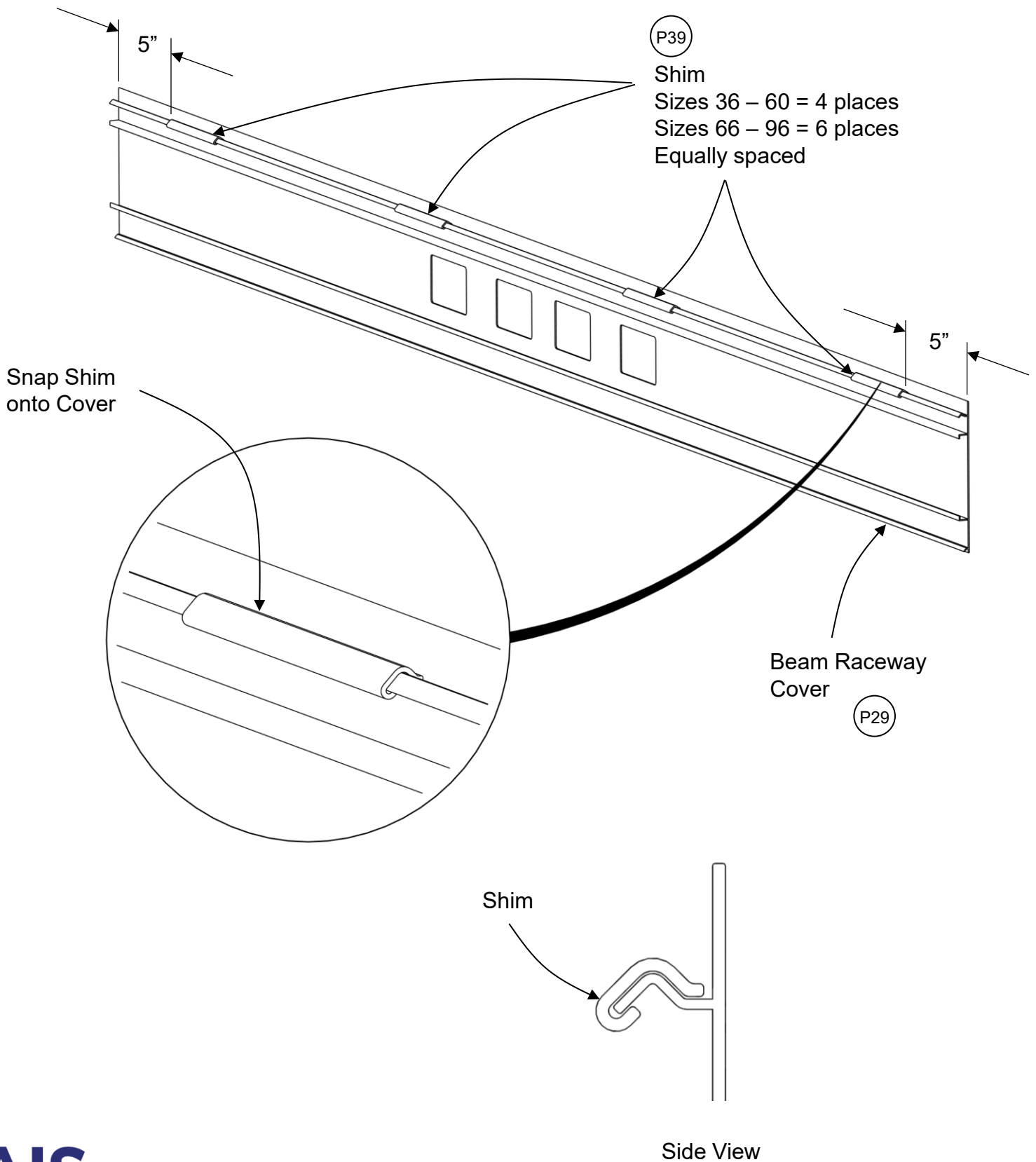


P38 1/4-20 Flange Nut
7/16" External Hex Drive
2 places
LOW TORQUE



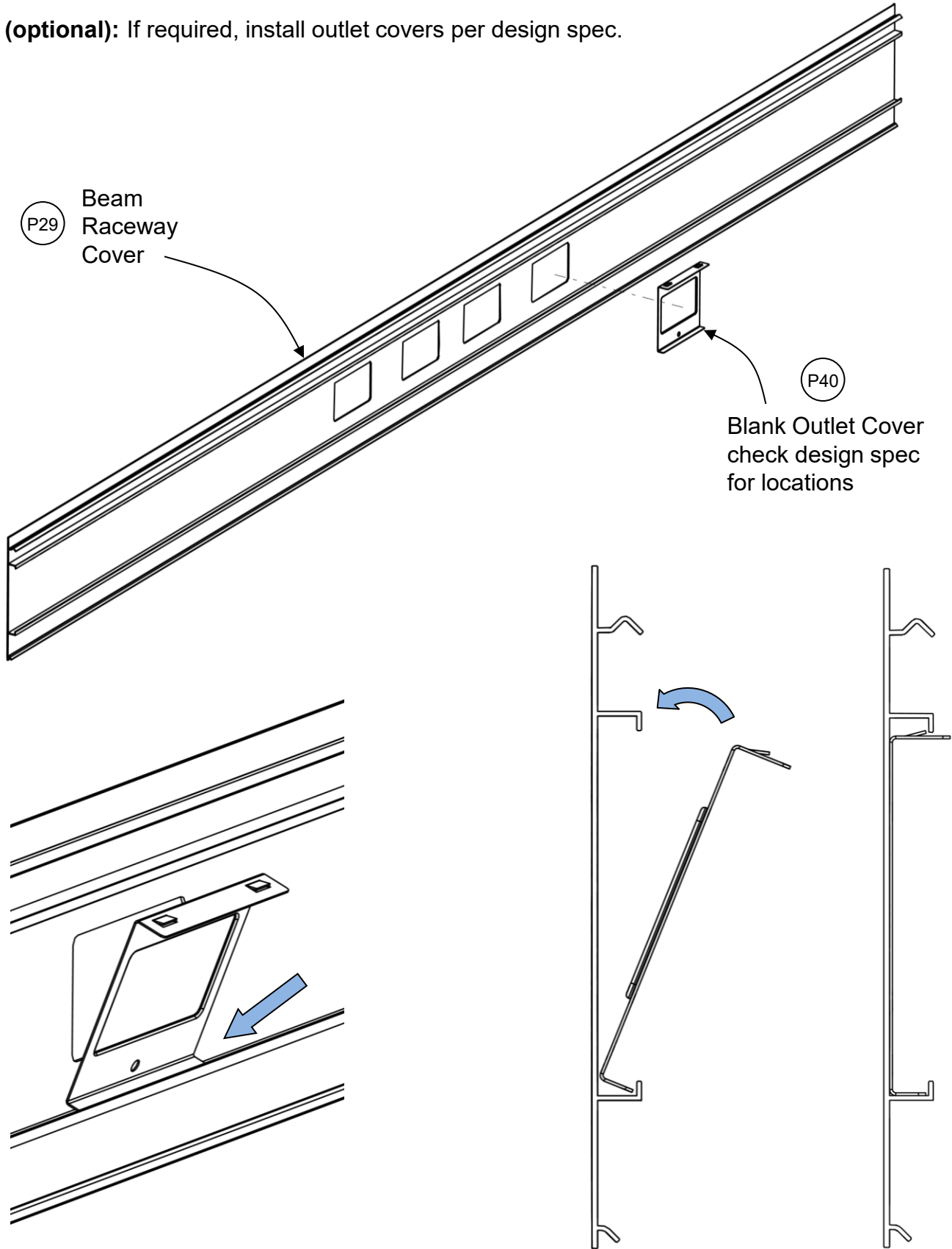
Encounter PowerBench Laminate Base Single Sided Installation Instructions

Step 11: Install shims onto covers.



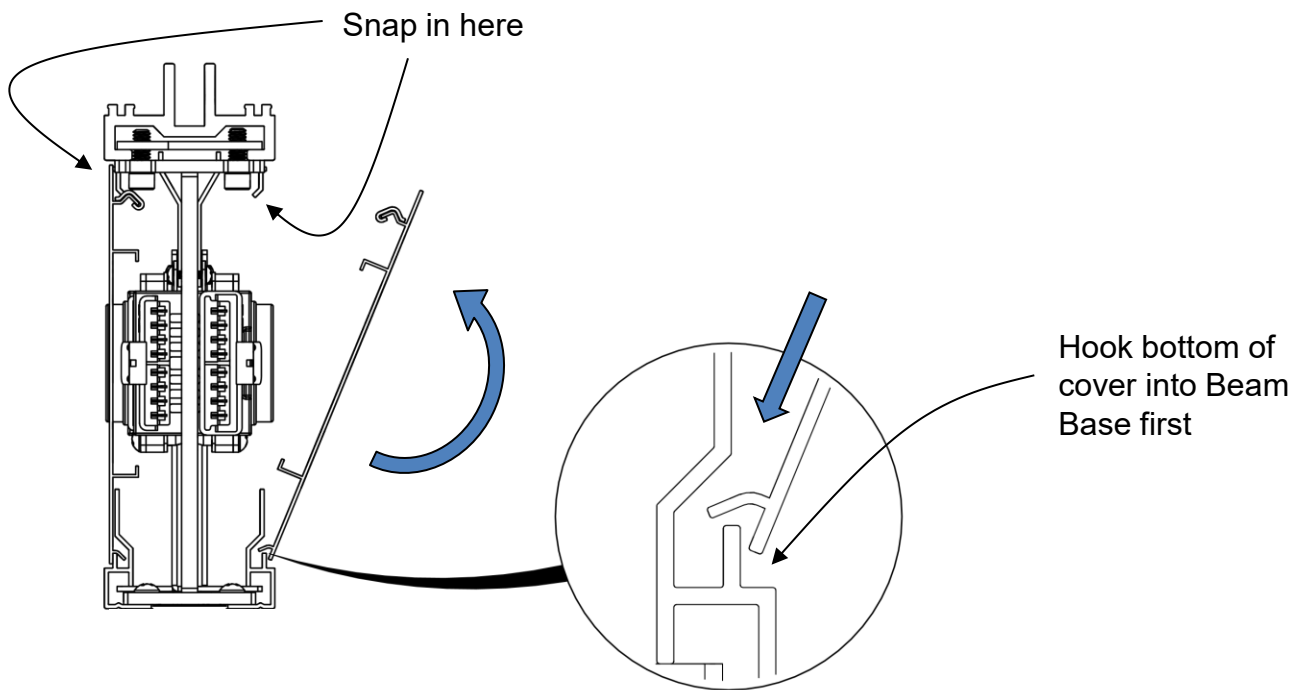
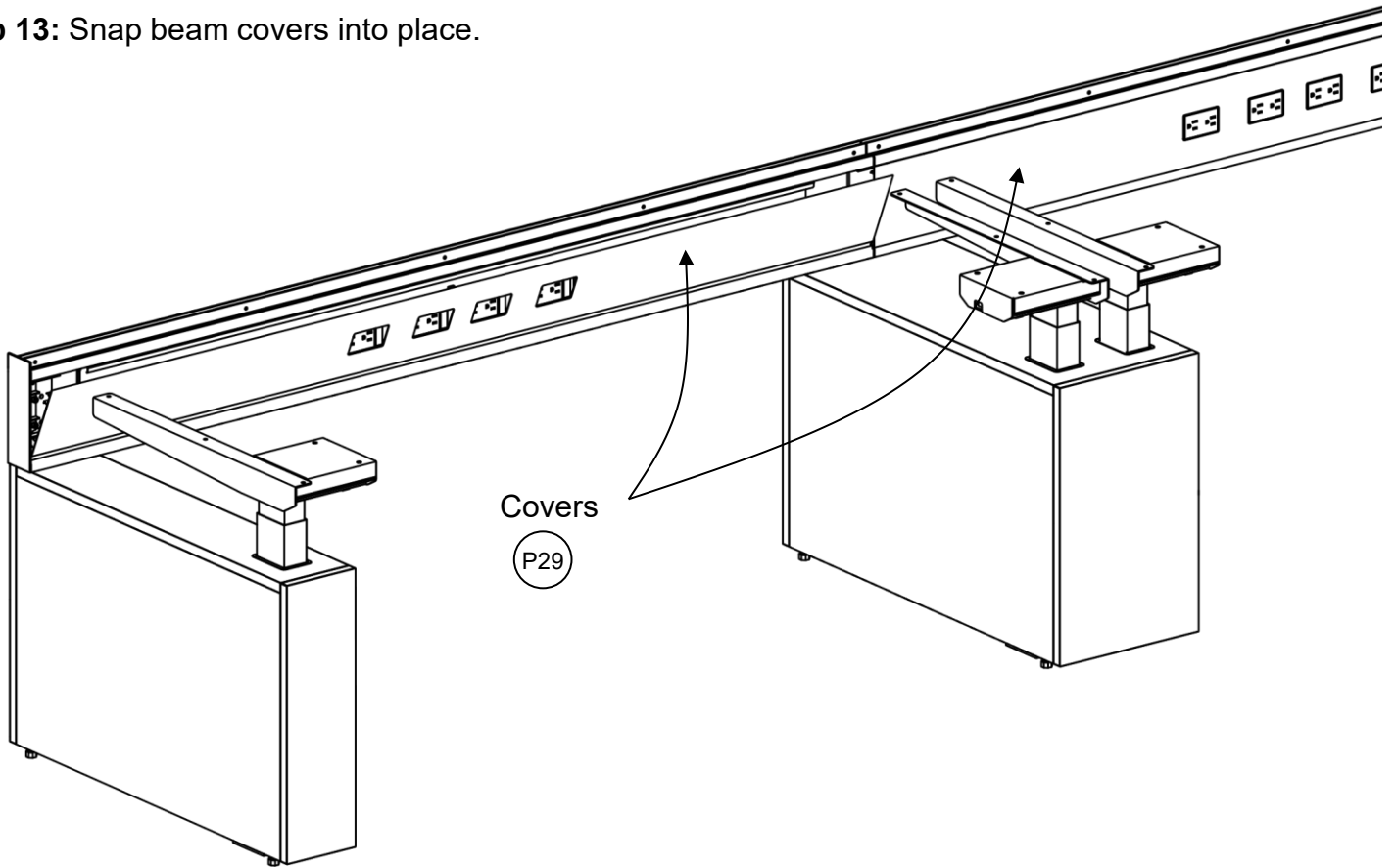
Encounter PowerBench Laminate Base Single Sided Installation Instructions

Step 12 (optional): If required, install outlet covers per design spec.



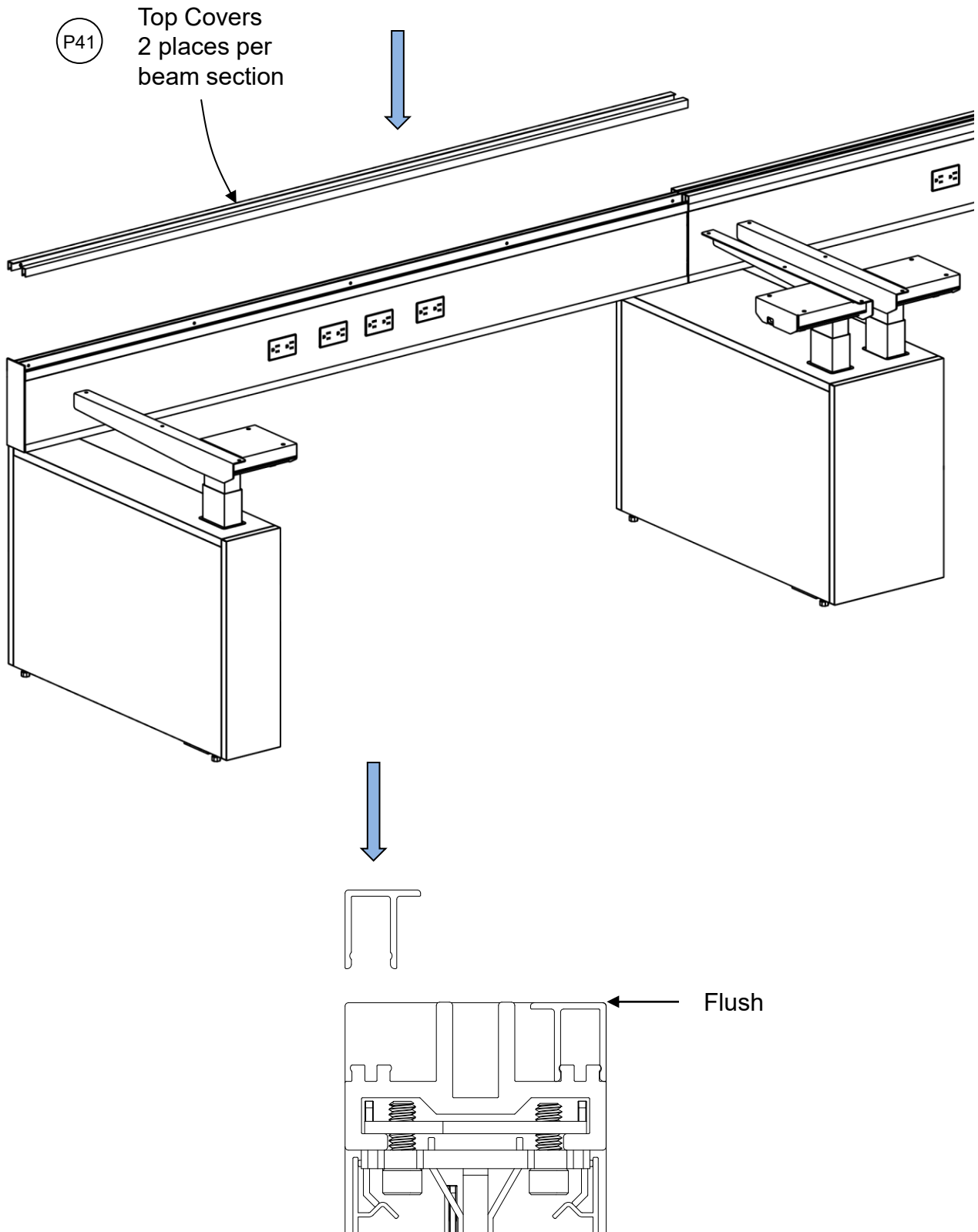
Encounter PowerBench Laminate Base Single Sided Installation Instructions

Step 13: Snap beam covers into place.



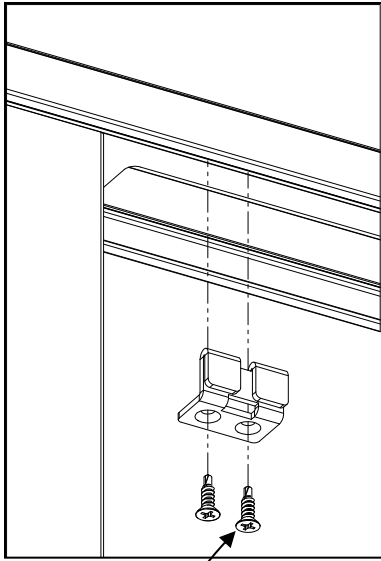
Encounter PowerBench Laminate Base Single Sided Installation Instructions

Step 14: Install top covers.

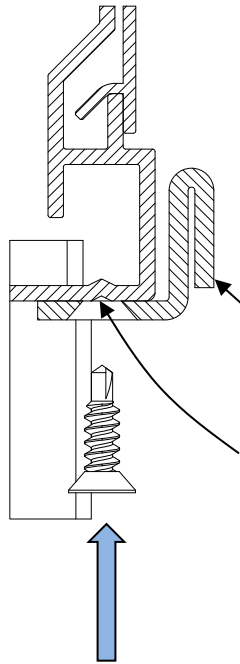


Encounter PowerBench Laminate Base Single Sided Installation Instructions

Step 15 (optional): Install power cord tray.

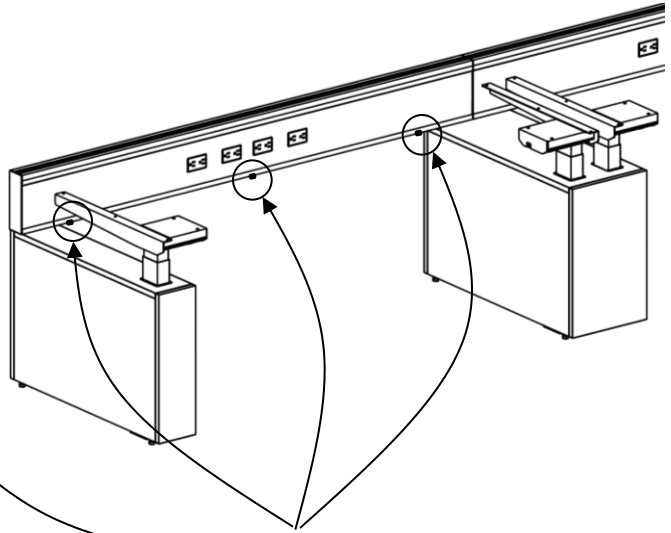


(P22) Flat Head Drilling Screw
#6 x 1/2" long
#2 Philips Drive
6 places



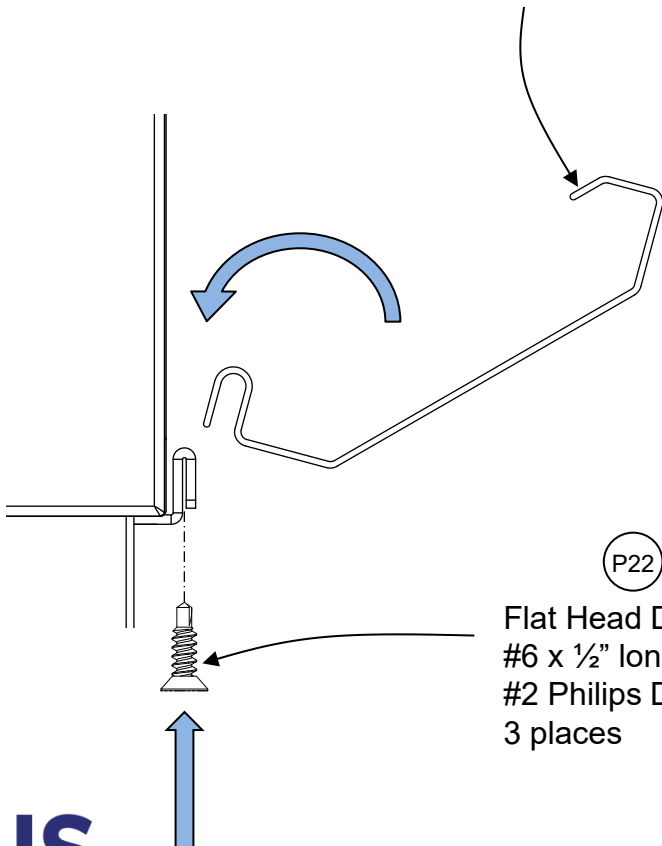
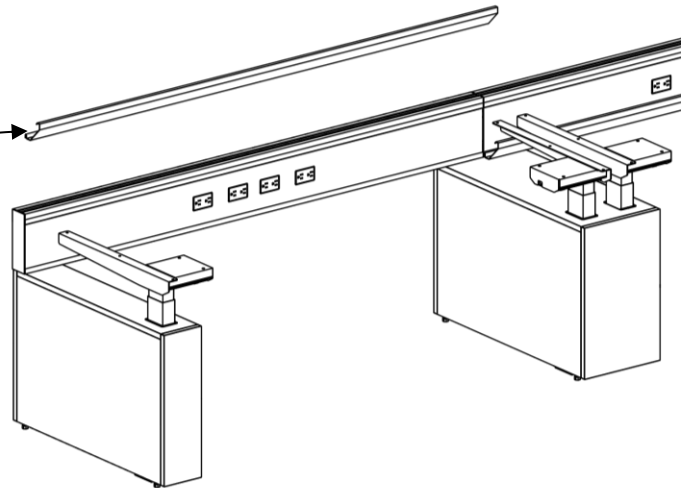
Beam Base Groove

(P43) Powercord Tray

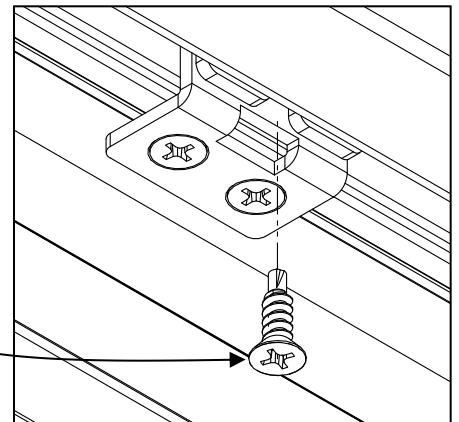


Accessory Mount
3 places

(P42)

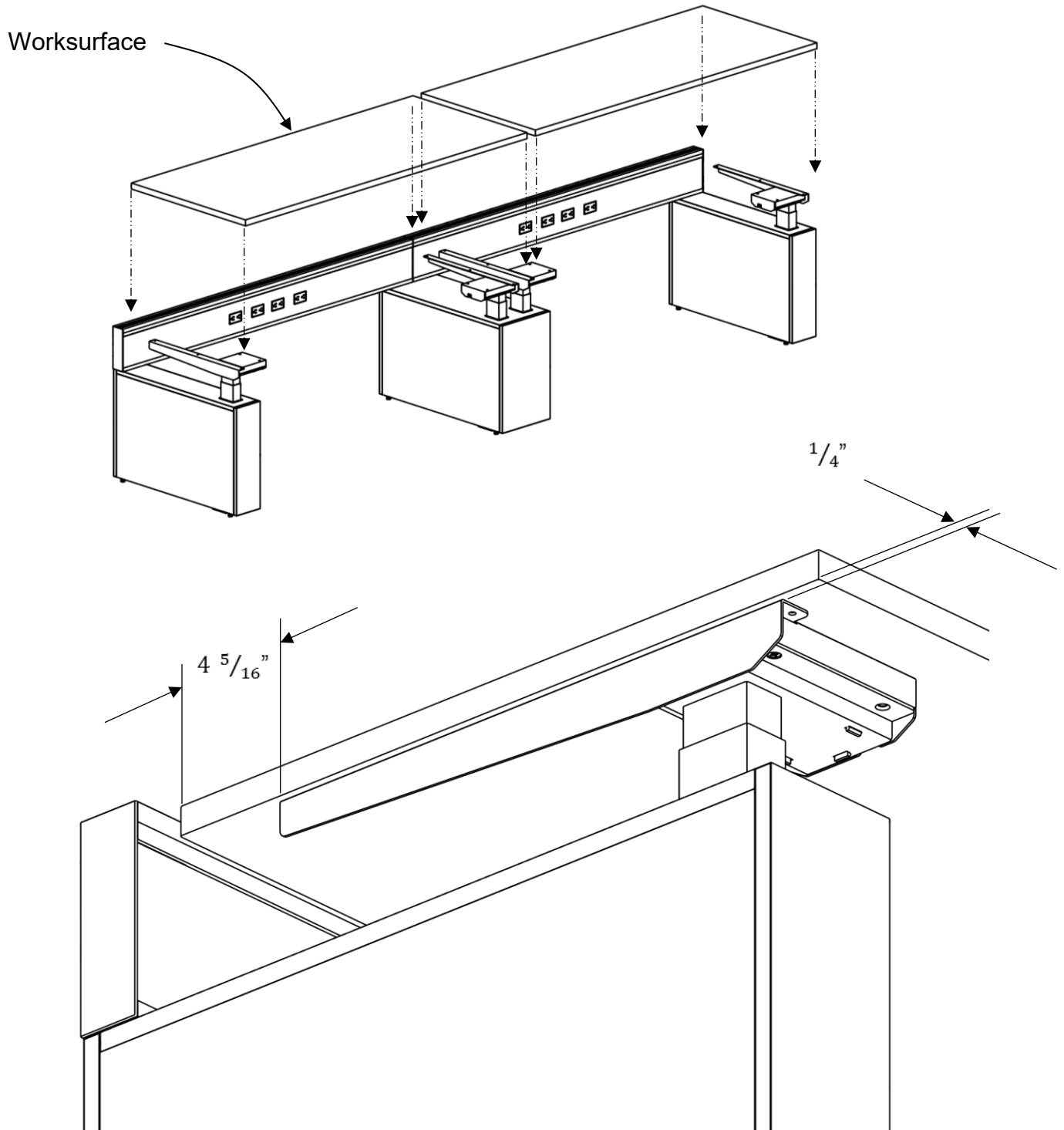


(P22) Flat Head Drilling Screw
#6 x 1/2" long
#2 Philips Drive
3 places



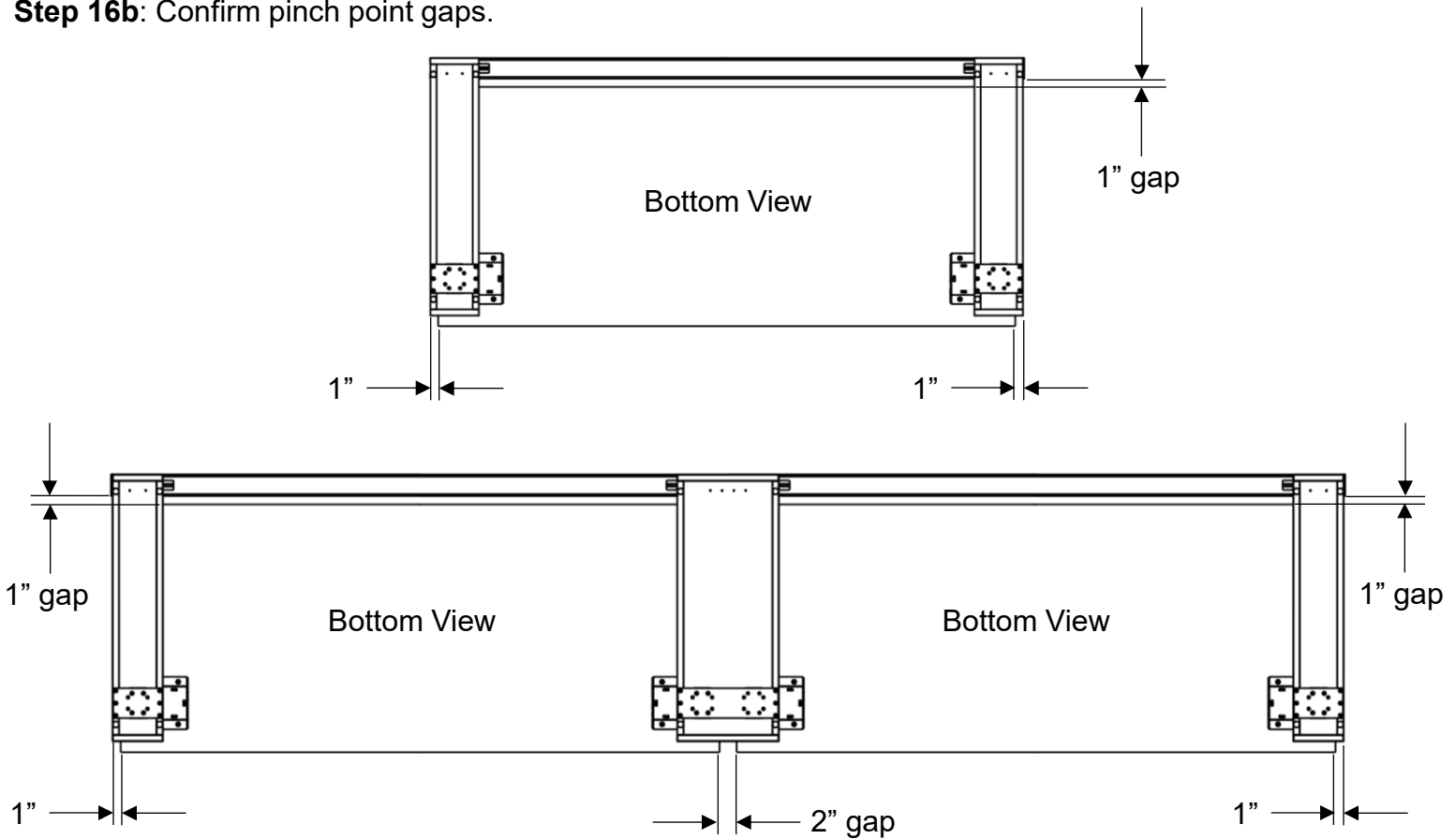
Encounter PowerBench Laminate Base Single Sided Installation Instructions

Step 16a: Position the worksurface(s) on the height adjustable support frame as shown.



Encounter PowerBench Laminate Base Single Sided Installation Instructions

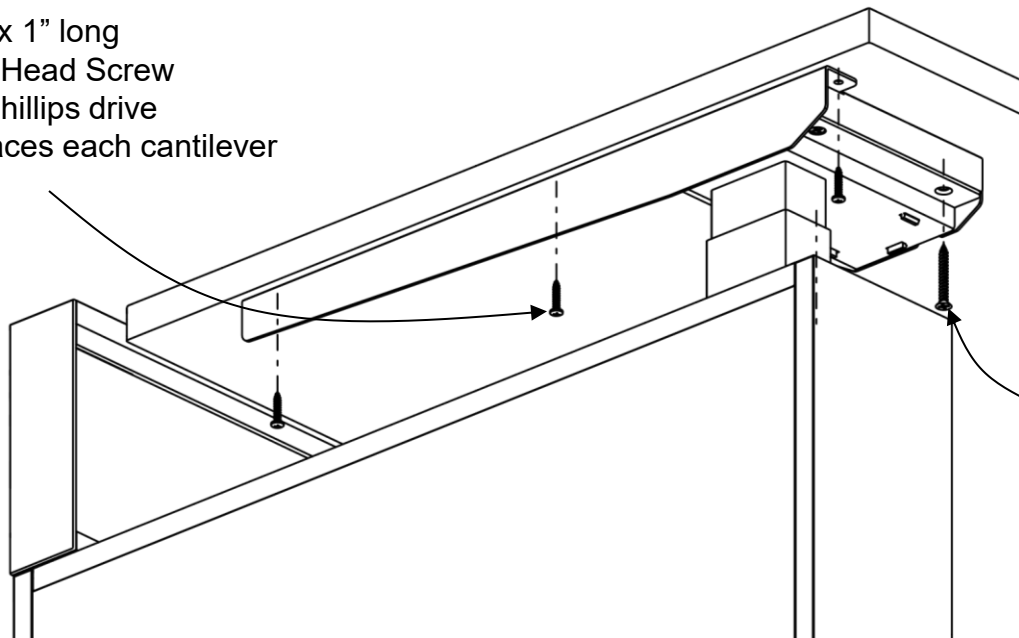
Step 16b: Confirm pinch point gaps.



Step 16c: Secure worksurface in place using screws as noted below. Make sure legs are square to beam prior to tightening the screws.

P45

- #10 x 1" long
Pan Head Screw
- #2 Phillips drive
- 3 places each cantilever

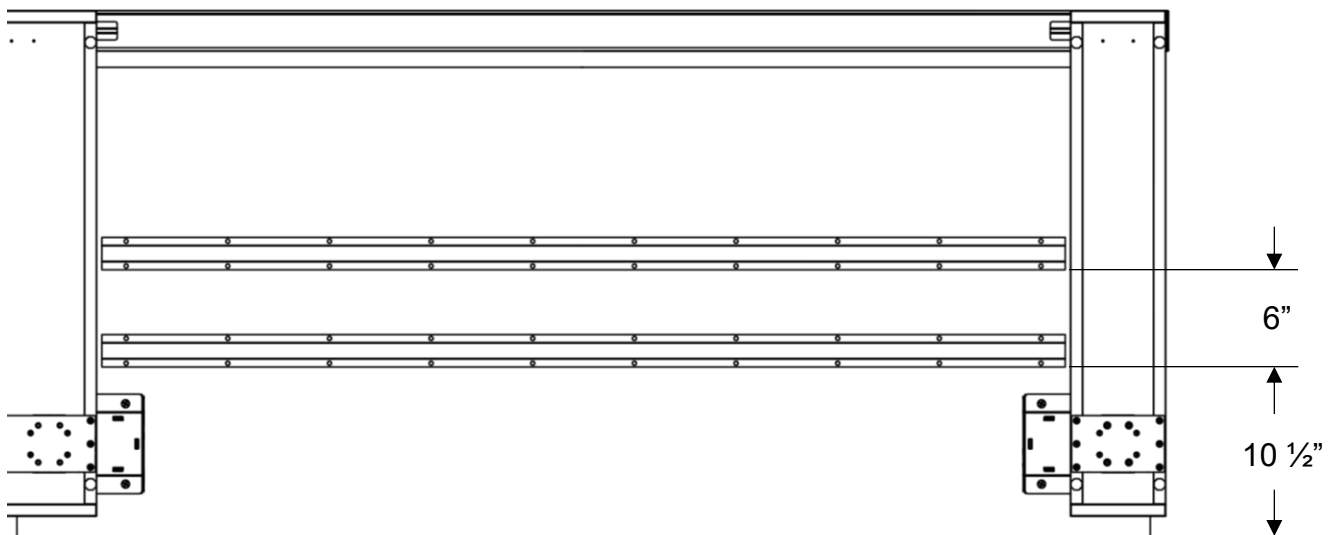
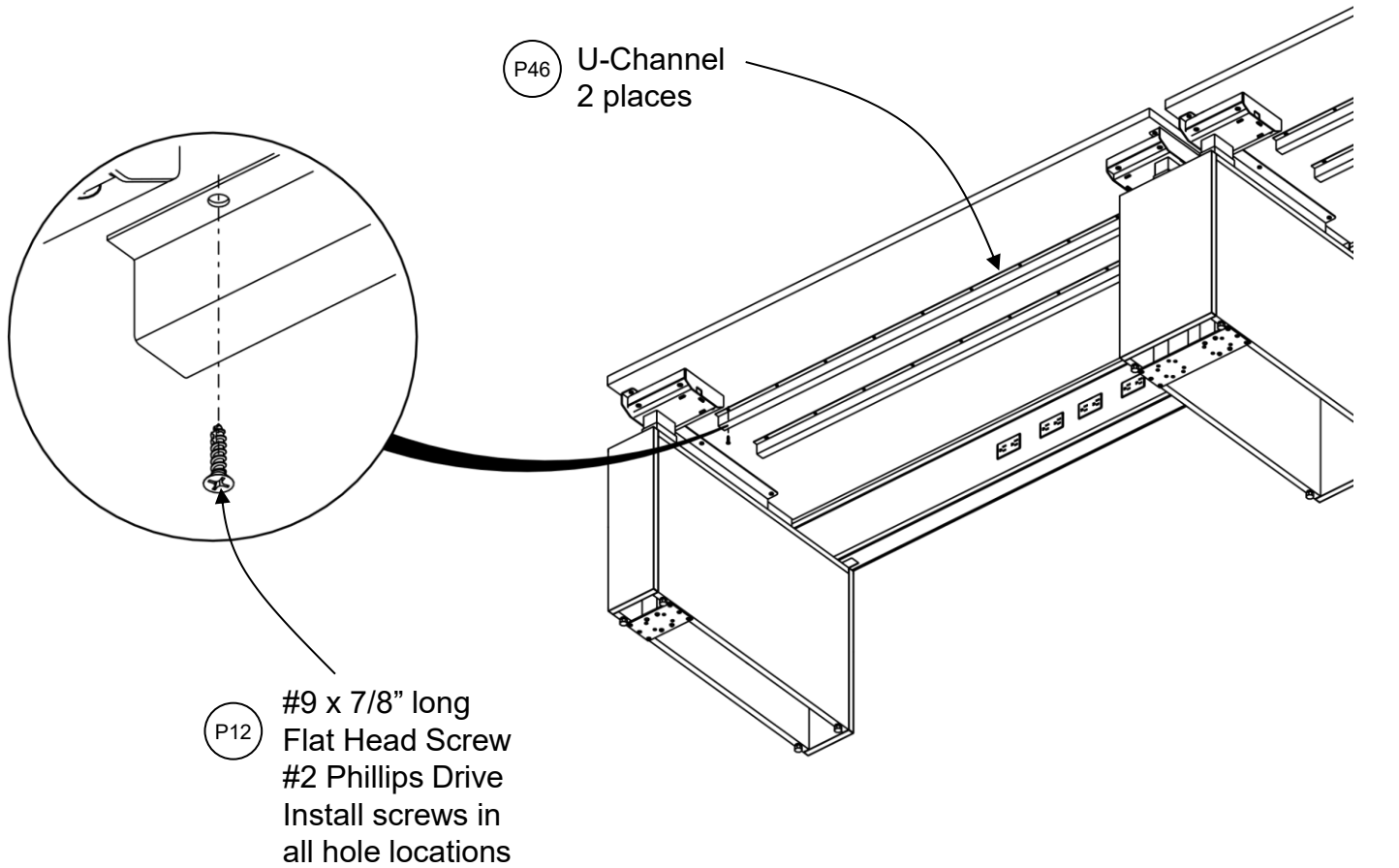


P44

- #14 x 2" long
Flat Head Screw
- #3 Phillips Drive
- 2 places each leg

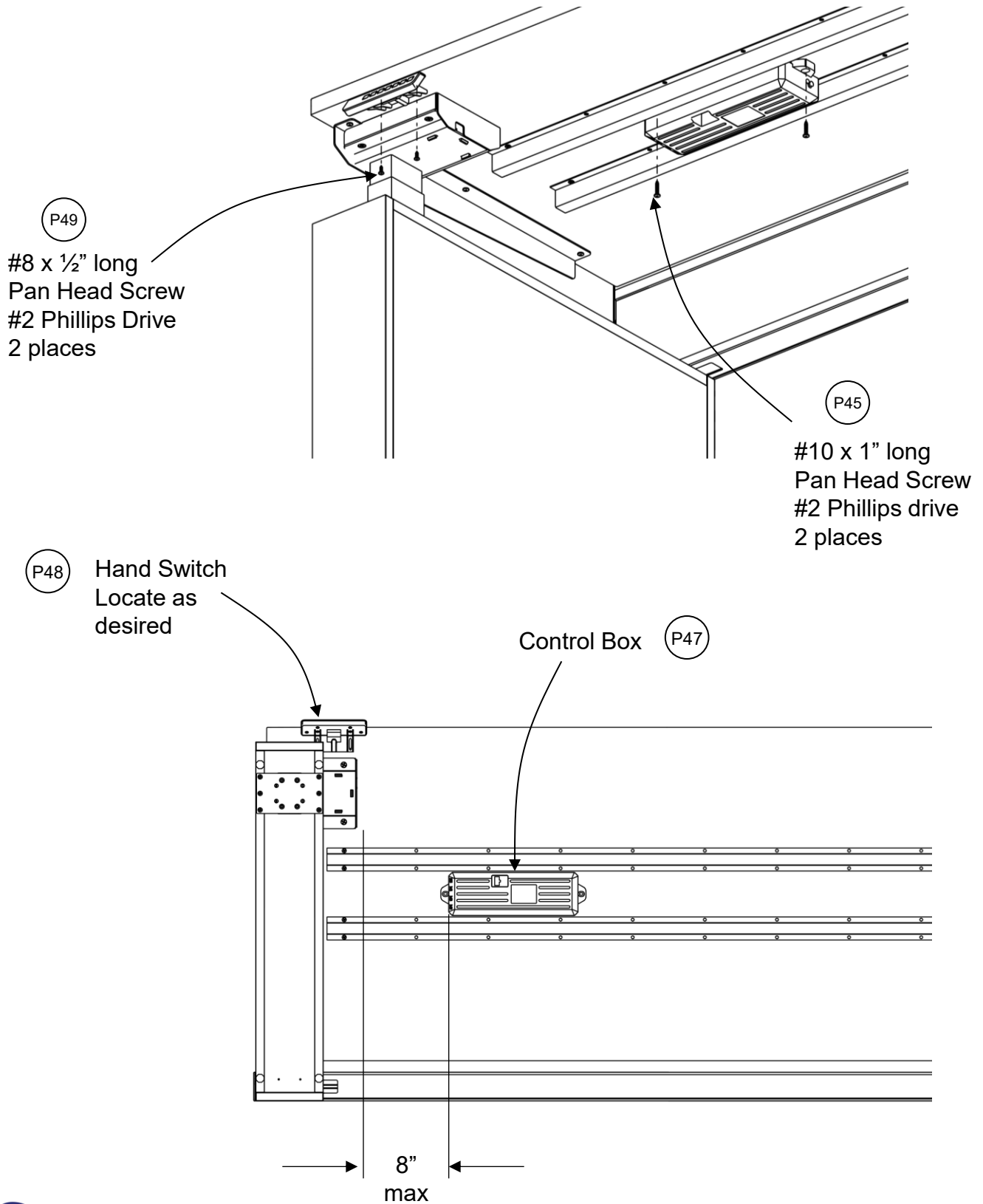
Encounter PowerBench Laminate Base Single Sided Installation Instructions

Step 17: Secure u-channels to worksurface using #9 x 7/8" screws .



Encounter PowerBench Laminate Base Single Sided Installation Instructions

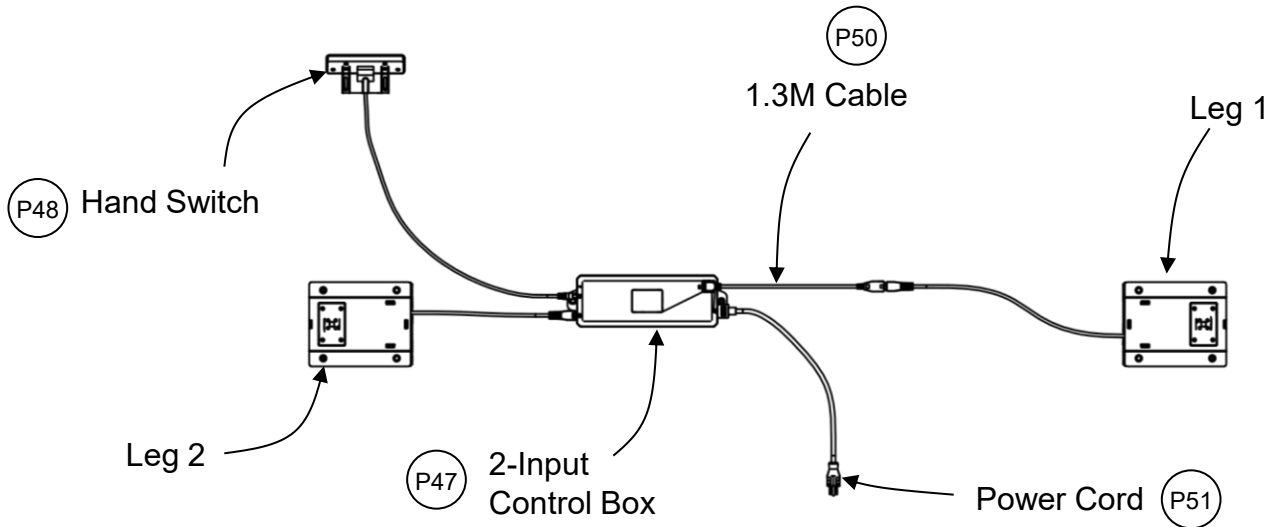
Step 18: Install the control box and the hand switch to the worksurface.



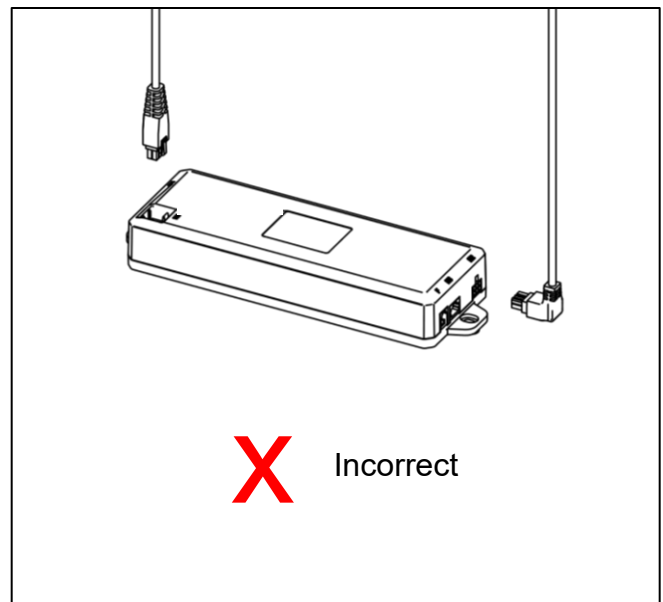
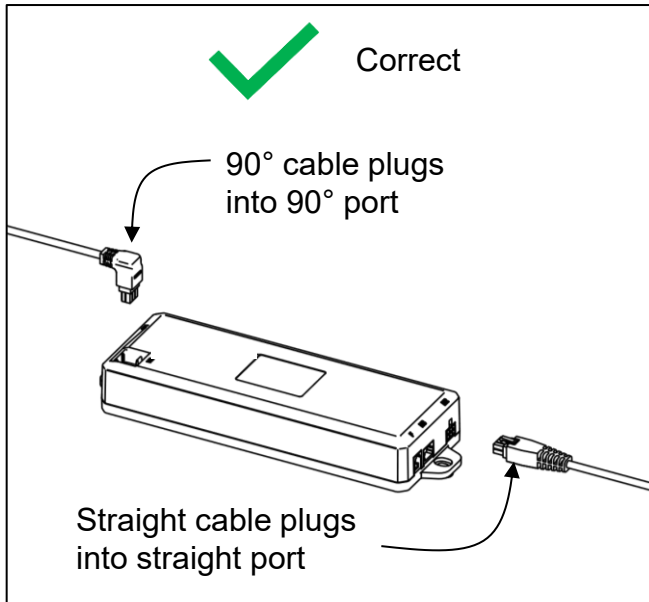
Encounter PowerBench Laminate Base Single Sided Installation Instructions

Step 19: Connect all height adjustable electrical components as shown.

1. Connect Leg 1 to Control Box Port M1.
2. Connect Leg 2 to Control Box Port M2 using the 1.3M cable.
3. Connect the Hand Switch to Control Box Port HS.
4. Connect the Power Cord to the Control Box.



Note: Control boxes feature ports on either the top face (90° connection shown below) or on the side (straight connection). You may be supplied both 90° and straight cables. Make sure to use the 90° cable in the 90° port only and use the straight cable in the straight port only, as shown below.



Encounter PowerBench Laminate Base Single Sided Installation Instructions

Step 20: Test all height adjustable units for proper functionality.

