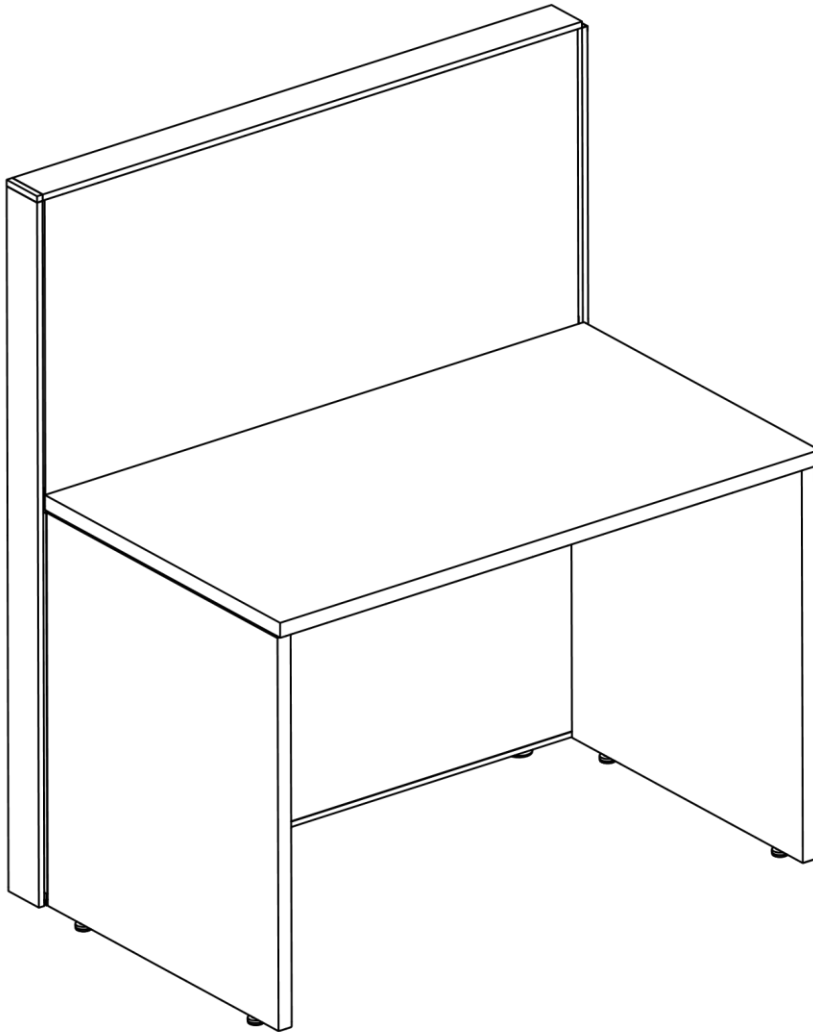





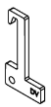
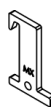



End Panels Installation Instructions

Date	Page No.	Description of change	Name
01/27/2023	1-7	Updated to new lock bracket design	S. Powers
5/13/2026	2, 4	Updated P3 and P5	P. Day



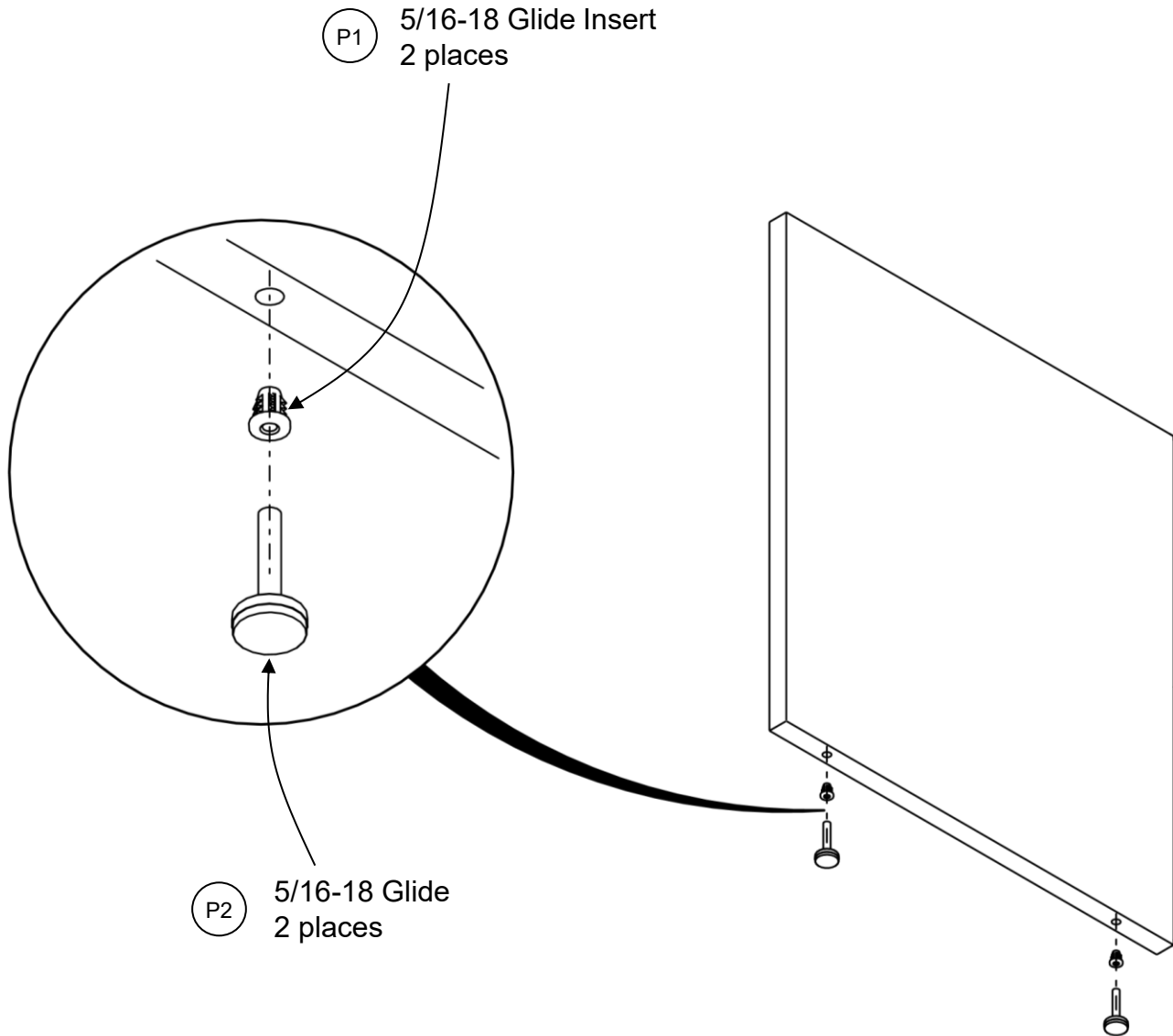
End Panels Installation Instructions

Item	Replacement Part number	Circle Sheet Part Number	Description	Image
P1	WFS-IN5118B	RWFS-IN5118B	5/16-18 Glide Insert	
P2	WFS-GL51618	RWFS-GL51618	5/16-18 Glide	
P3	WFS-VSLB	RWFS-VSLB-A	Divi Hanger Frame Mounting Bracket	
	WFS-MXLBB	RWFS-MXLBB-A	Matrix Hanger Frame Mounting Bracket	
P4	RH-QS0978	RH-QS0978	#9 x 7/8" Flat Head Screw	
P5	WFS-DVOLB	RWFS-DVOLB	Divi Locking Bracket	
	WFS-MXOLB	RWFS-MXOLB	Matrix Locking Bracket	
P6	WFS-ALSWFP	RWFS-ALSWFP	Top Plate	

End Panels Installation Instructions

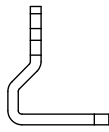
Standard end panels attach to systems panels by way of a long bracket that hooks into the hanger frame. The below instructions use Matrix as an example. However, all systems use the same installation method.

Step 1: Install end panel bracket to the end panel using #9 x 7/8" screws.

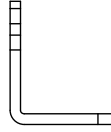


End Panels Installation Instructions

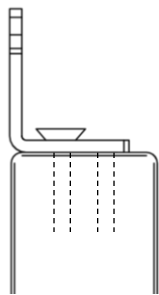
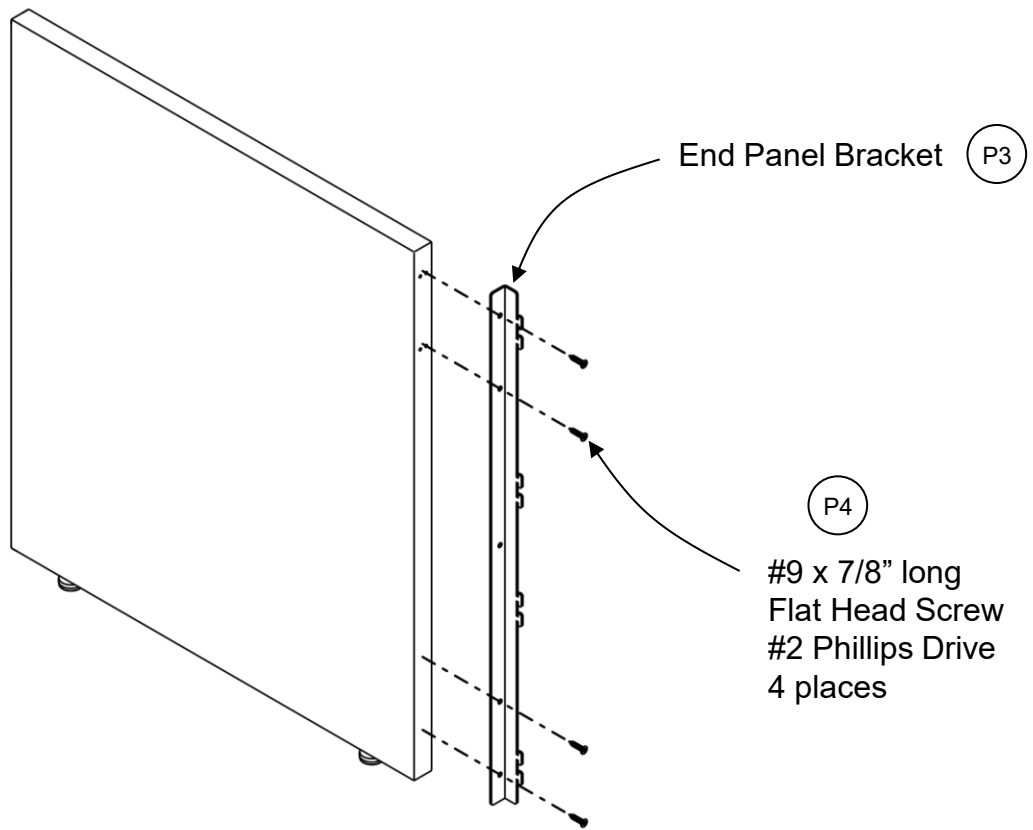
Step 2: Install end panel bracket to the end panel using #9 x 7/8" screws.



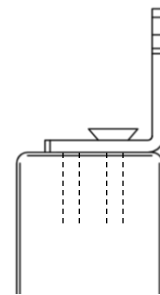
Divi



Matrix



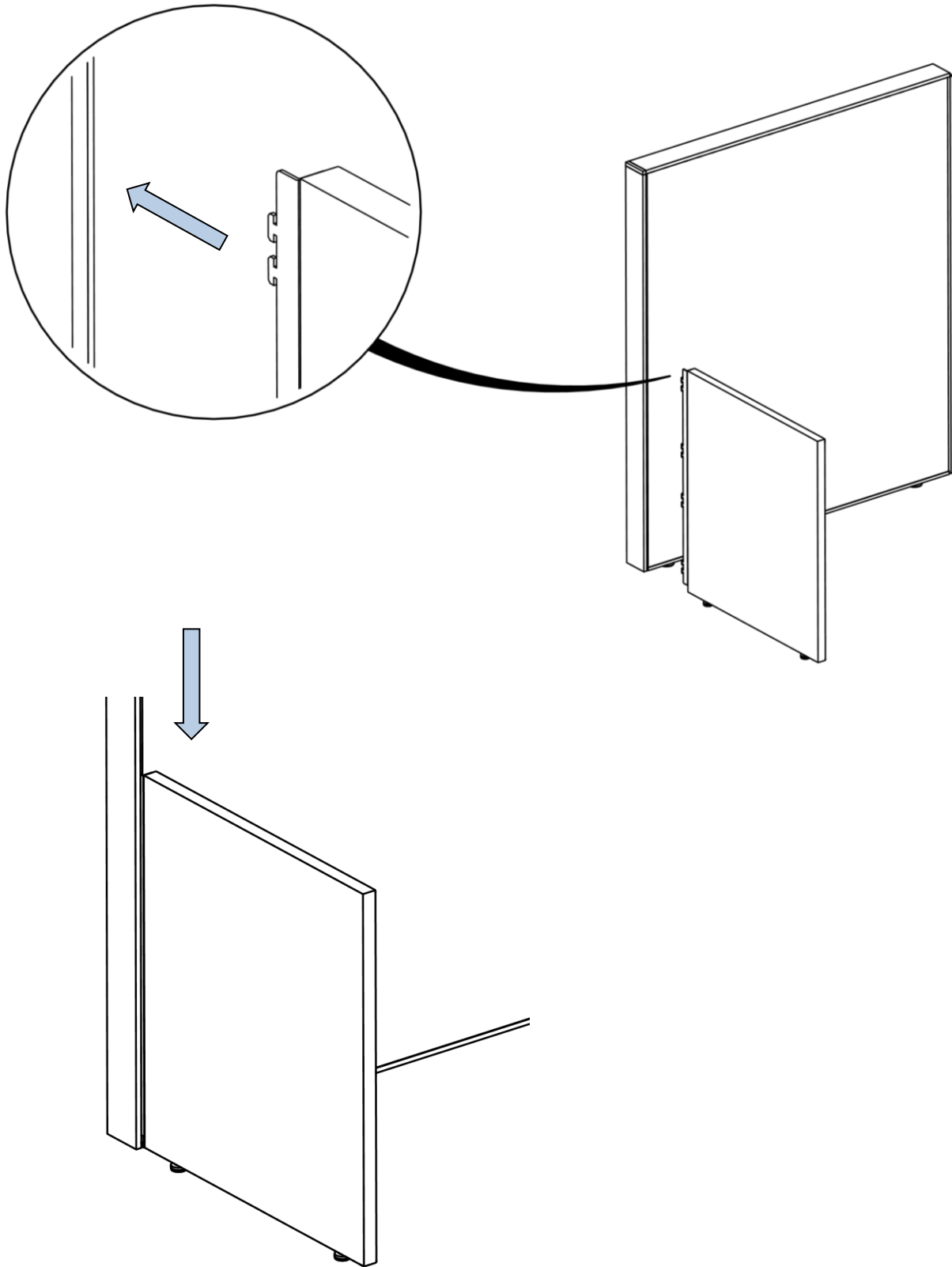
Left End Panel



Right End Panel

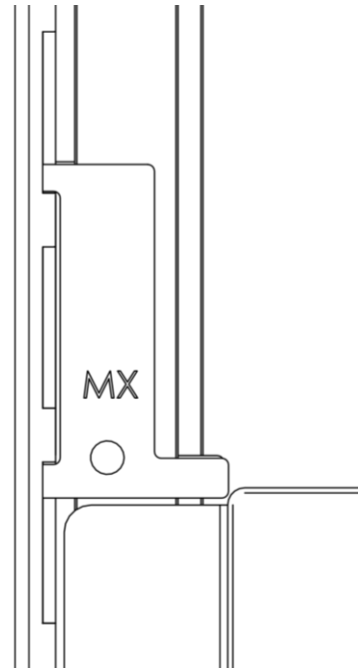
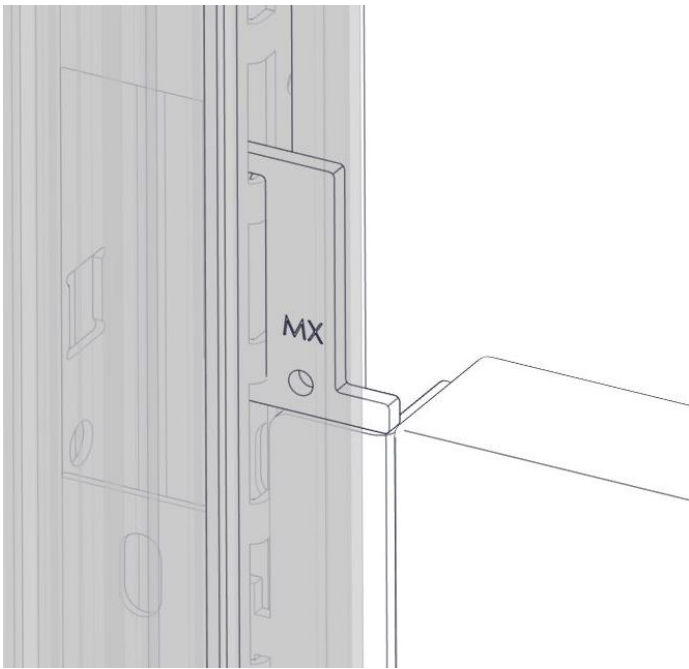
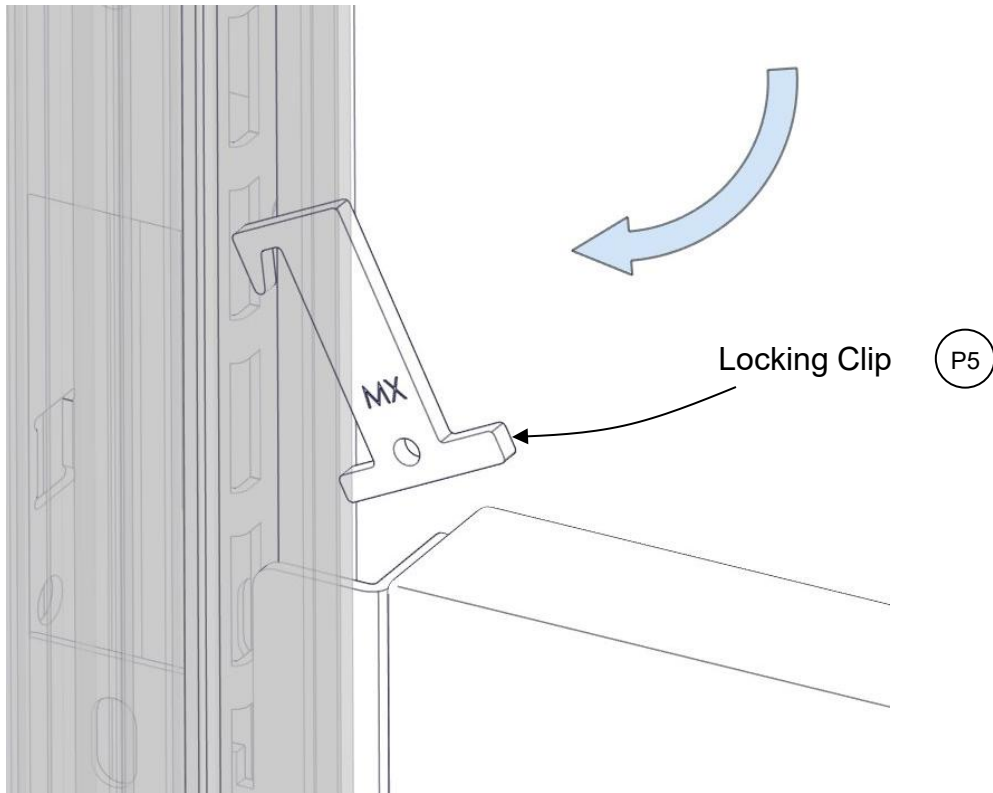
End Panels Installation Instructions

Step 2: Install end panel bracket to the end panel using #9 x 7/8" screws.



End Panels Installation Instructions

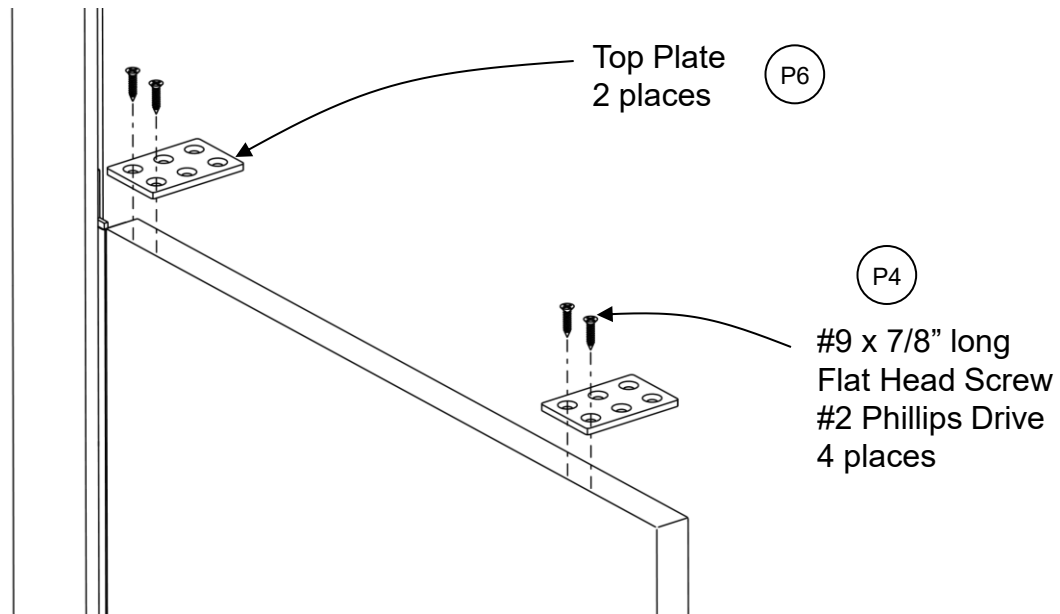
Step 3: Hook the locking clip into the hanger frame slot and rotate down



Make sure the locking clip is properly seated as shown and the end panel is secure to the hanger frame

End Panels Installation Instructions

Step 4: Attach the top plates to the top of the end panel using #9 x 7/8" screws.



Step 5: Secure the worksurface to the end panel using #9 x 7/8" screws.

