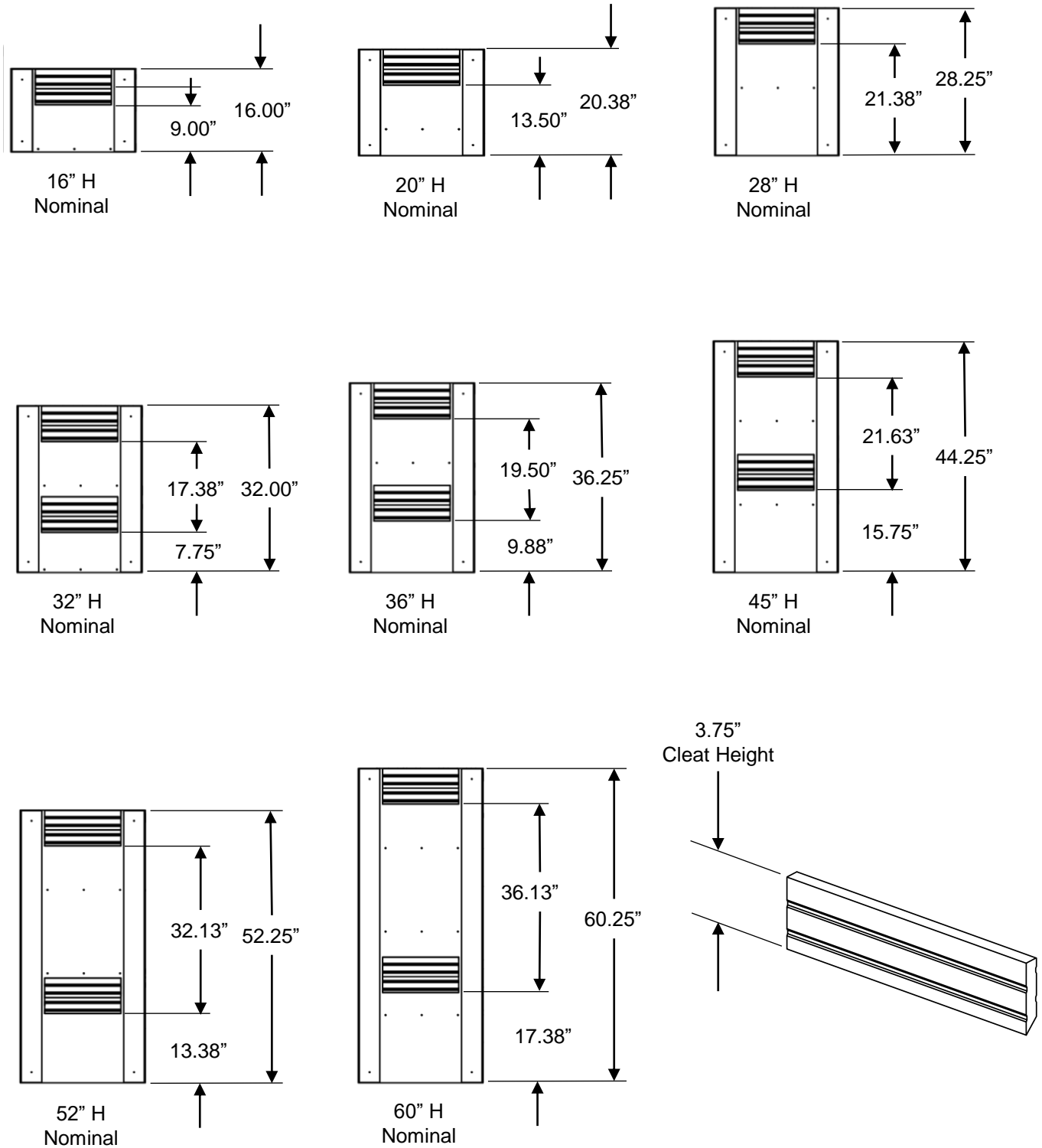


Date	Page No.	Description of change	Name
3/10/2021	1-3	Released	S. Powers
7/27/2023	3-5	Added pages for KD installation	S. Powers
11/13/2023	4	Updated screw to 5/16" x 4"	S. Powers
04/29/2024	2,3	Added Fig A cleat locations	S. Powers

# L-Shelf Installation Instruction

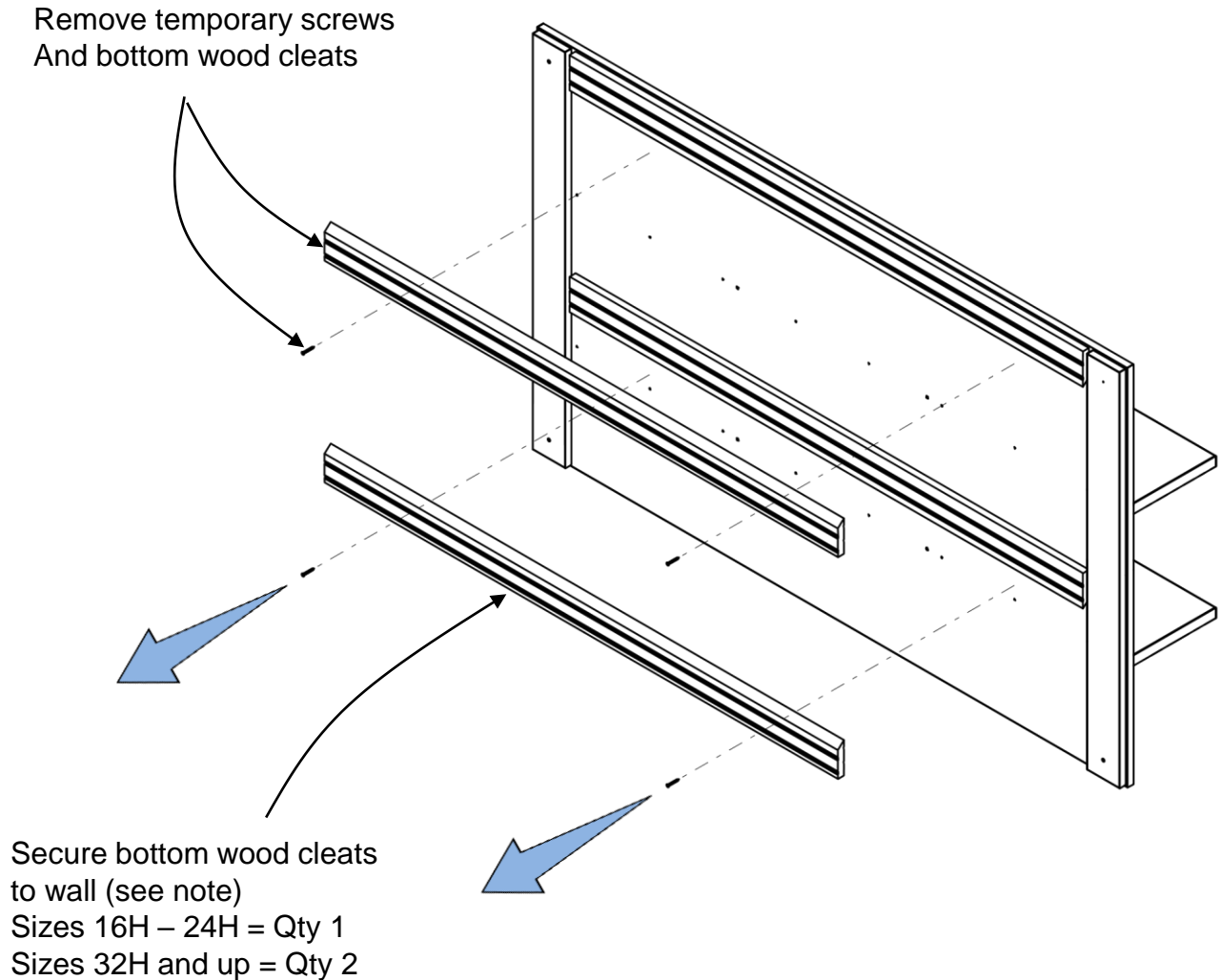
Fig A: Cleat Height Reference Dimensions



# L-Shelf Installation Instruction

**Step 1:** Remove temporary screws and bottom cleat(s) from the back of the panel.

**Step 2:** Securely mount bottom wood cleat(s) wall (see note below)



Notes:

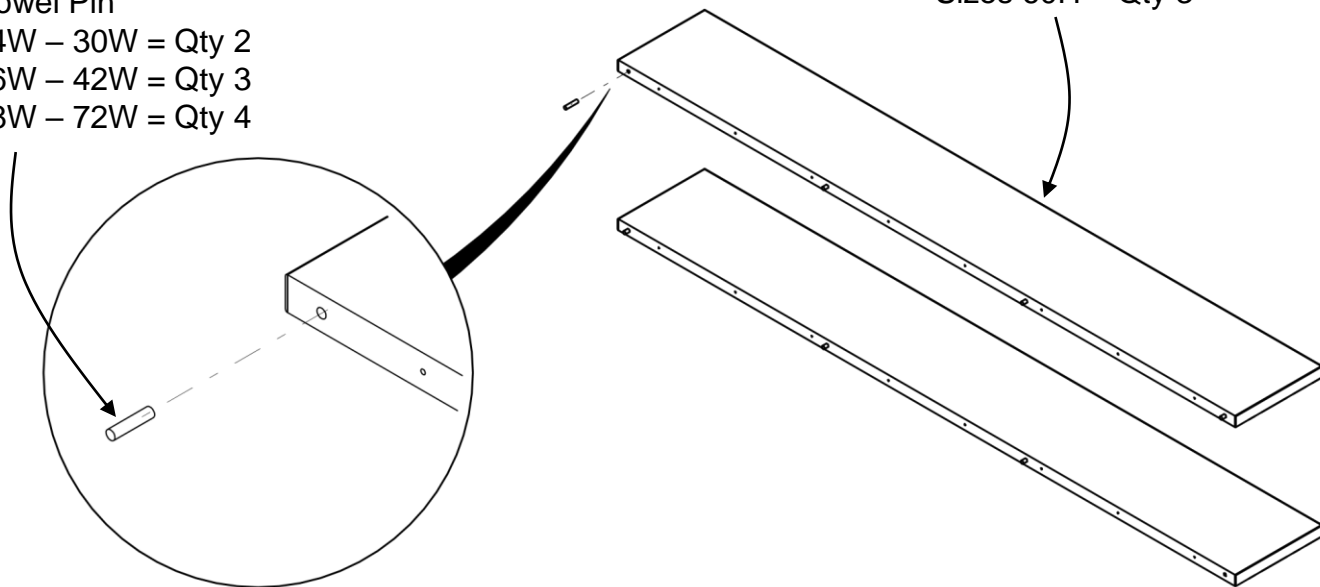
1. Customer must ensure structural integrity of the wall is sufficient to support the wall mounted product. All wall mounting hardware (not included) should be securely fastened to the studs on the load bearing wall.
2. Refer to Fig A for cleat locations.

# L-Shelf Installation Instruction

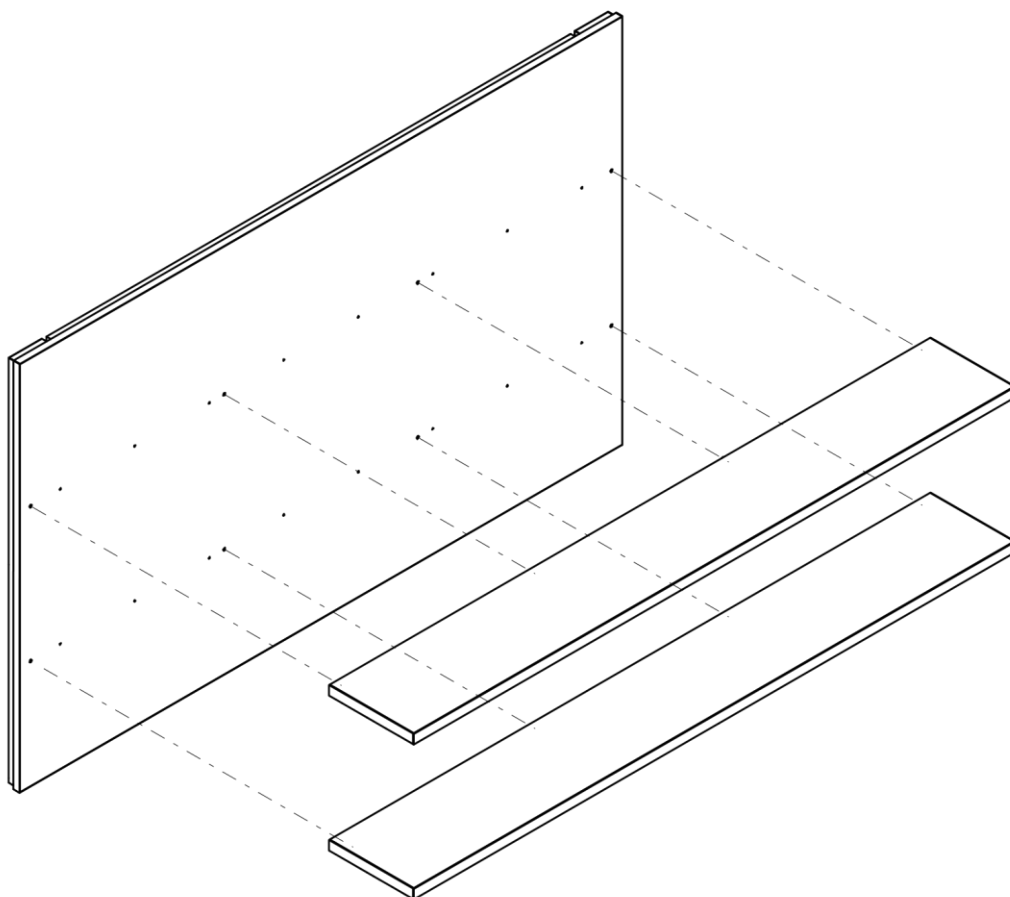
**Step 3:** Install dowel pins into shelf panels.

5/16" x 1 3/8" long  
Dowel Pin  
24W – 30W = Qty 2  
36W – 42W = Qty 3  
48W – 72W = Qty 4

Shelf Panel  
Sizes 16H – 28H and 36H = Qty 1  
Sizes 32H and 45H – 52H = Qty 2  
Sizes 60H = Qty 3

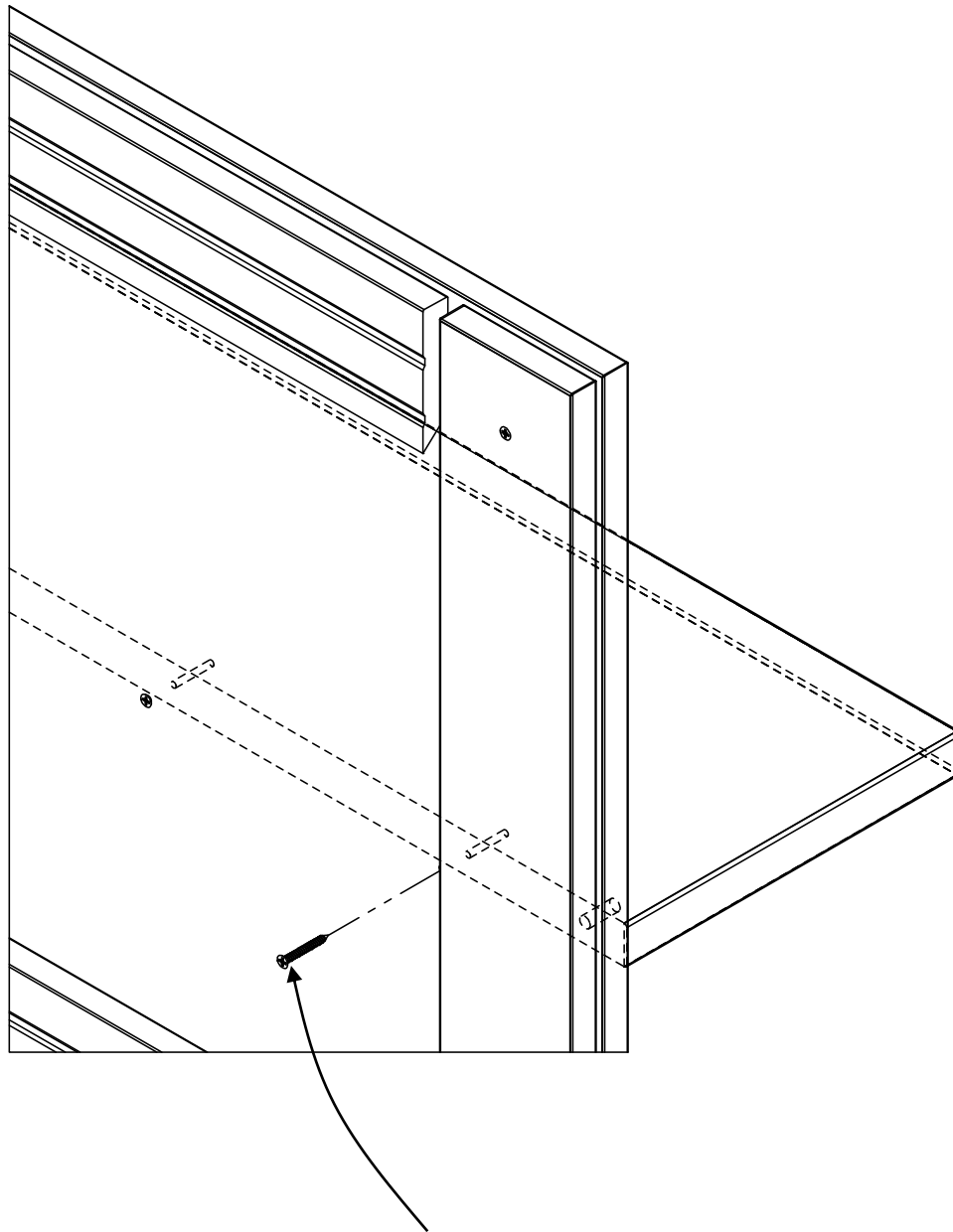


**Step 4:** Align dowel pins in shelf panels to back panel.



# L-Shelf Installation Instruction

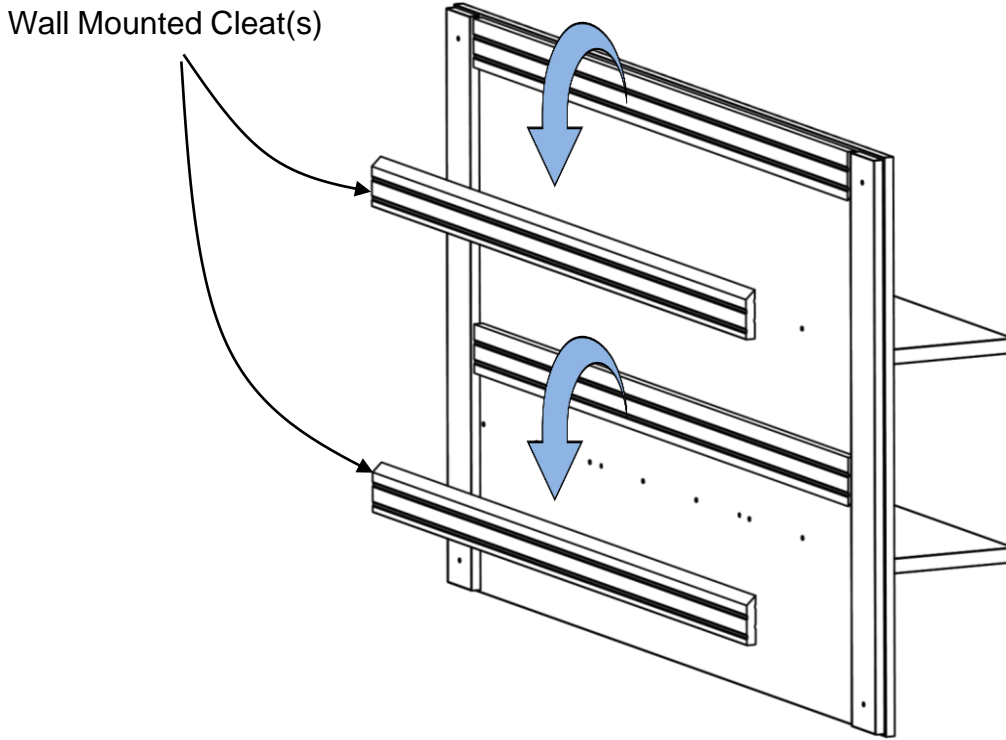
**Step 5:** Secure shelf panels to back panel using #8 x 1 3/8" screws.



#8 x 4" long  
Flanged Round Head Wood Screw  
24W – 30W = Qty 3  
36W – 42W = Qty 4  
48W = Qty 5  
54W – 60W = Qty 6  
66W = Qty 7  
72W = Qty 8

# L-Shelf Installation Instruction

**Step 3:** Hang L-Shelf assembly onto the wall mounted wood cleats.



**Step 4:** Secure L-Shelf assembly to the wall mounted wood cleats.

