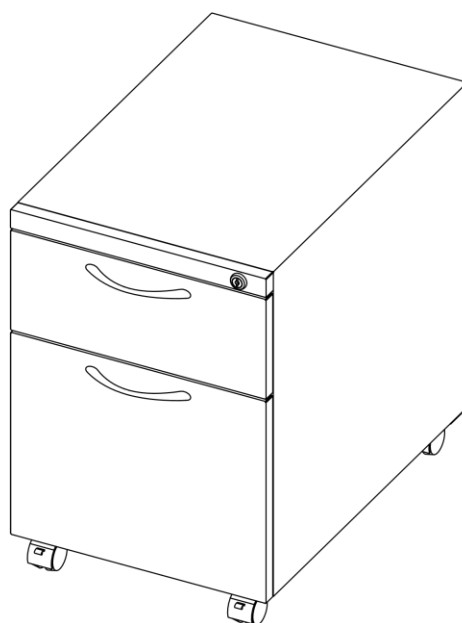


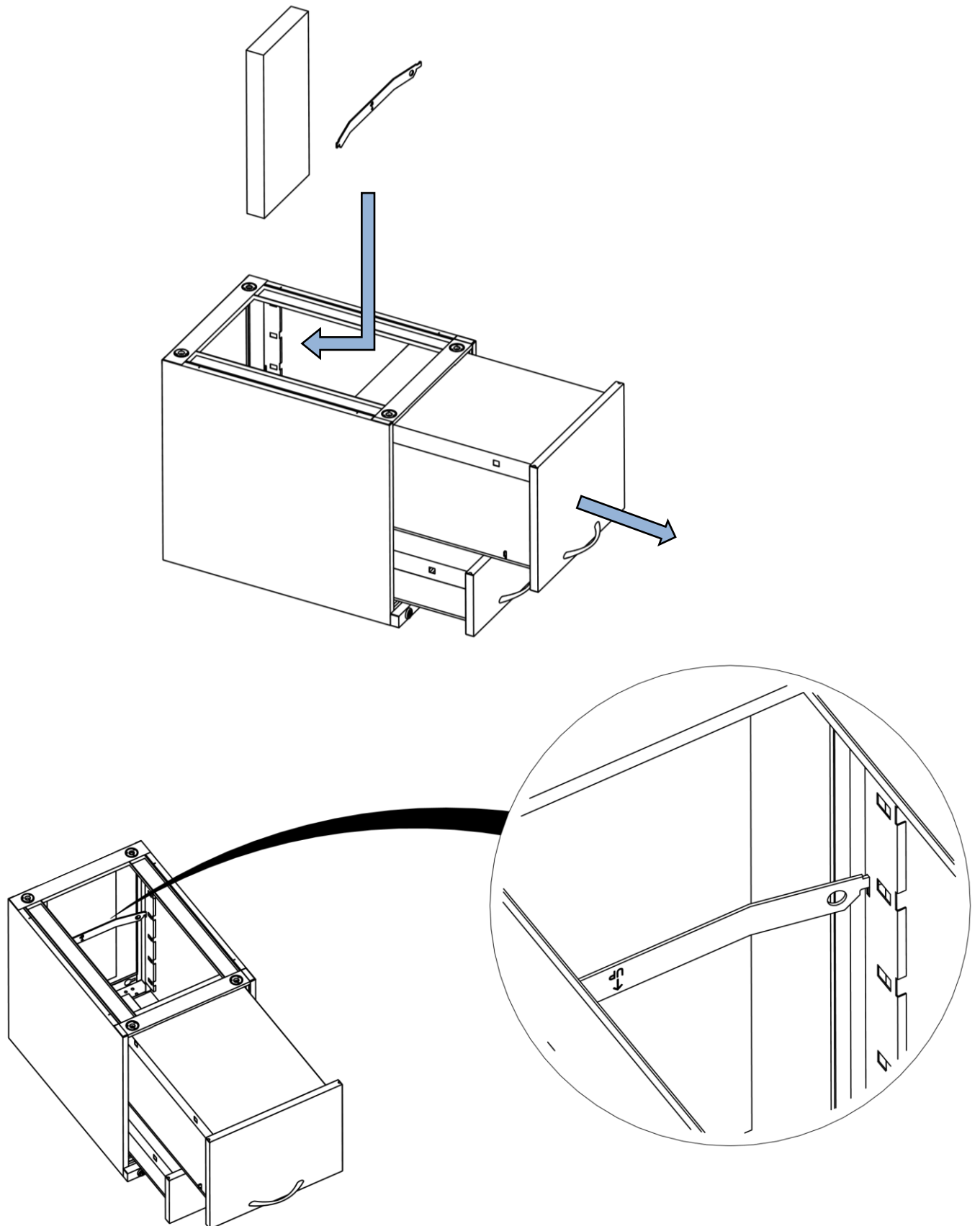
# L-Series Mobile Pedestal Installation Instruction

Date	Page No.	Description of change	Name
10/27/2020	1-4	Released	S. Powers



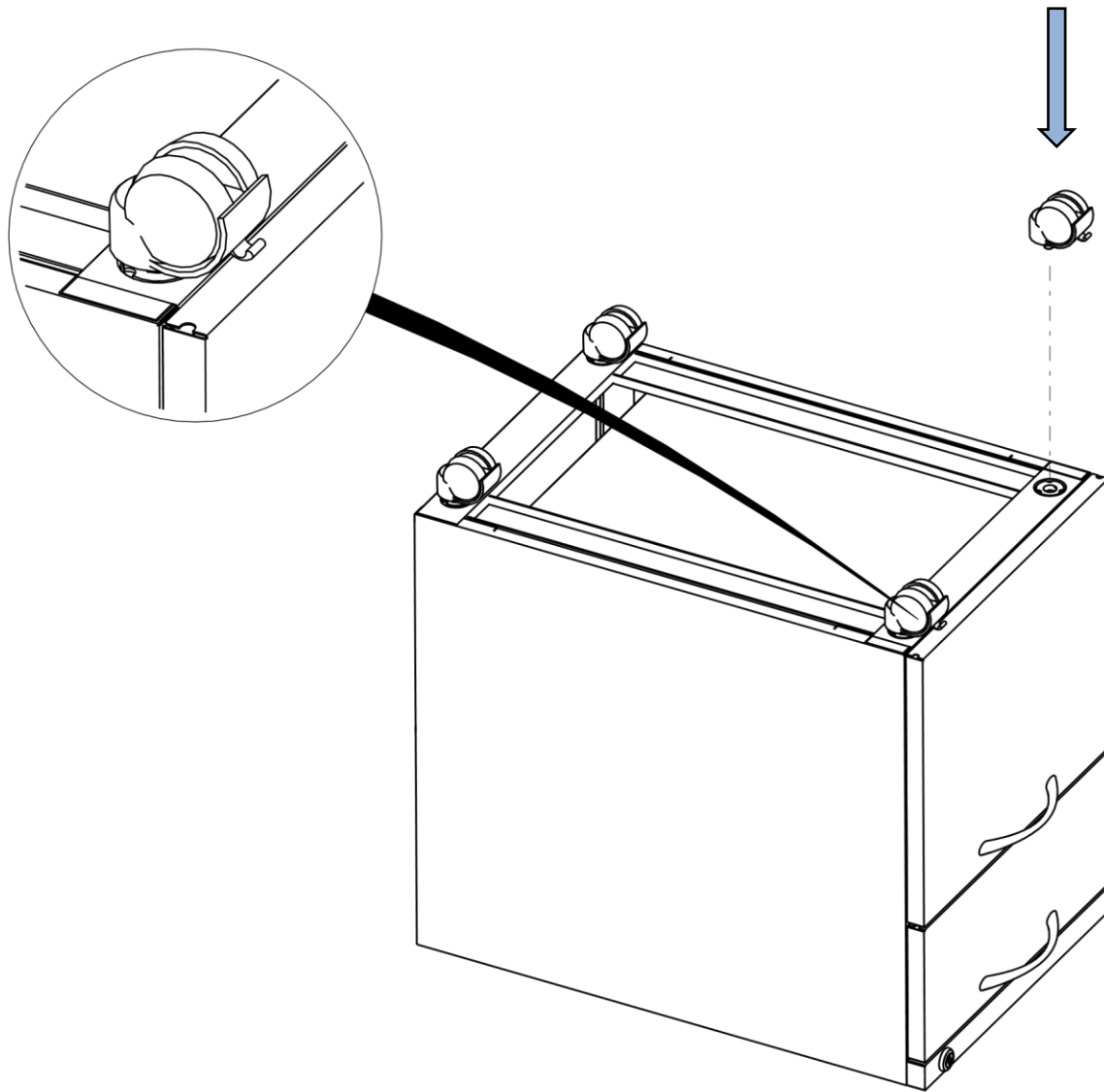
# L-Series Mobile Pedestal Installation Instruction

**Step 1:** Carefully flip unit upside down and open drawers to install counterweight.



# L-Series Mobile Pedestal Installation Instruction

**Step 2:** Install casters using a ½" open end wrench. The two locking casters install at the front of the unit.



# L-Series Mobile Pedestal Installation Instruction

**Step 3:** Carefully return unit to its upright position and test unit for proper functionality.

