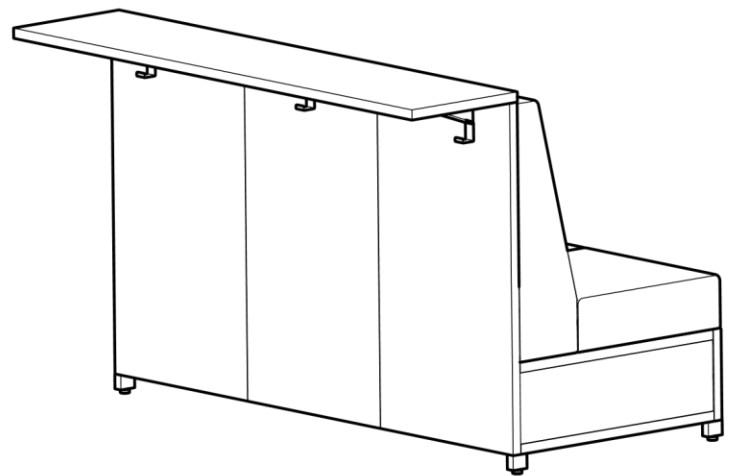
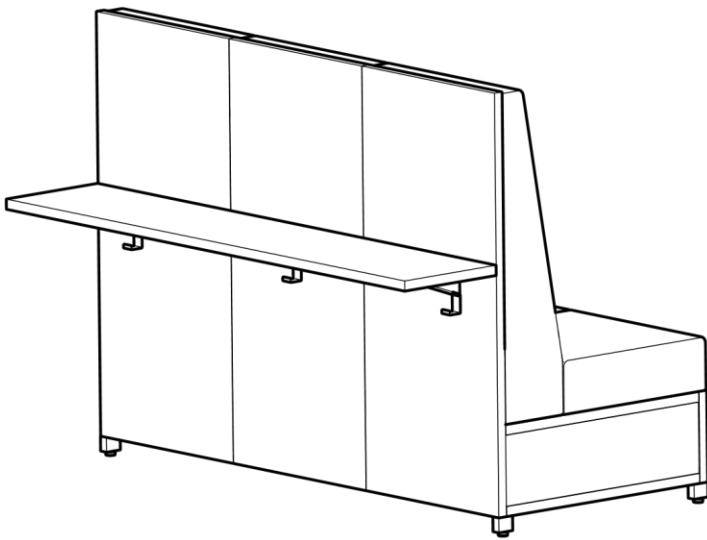


LB Ledge

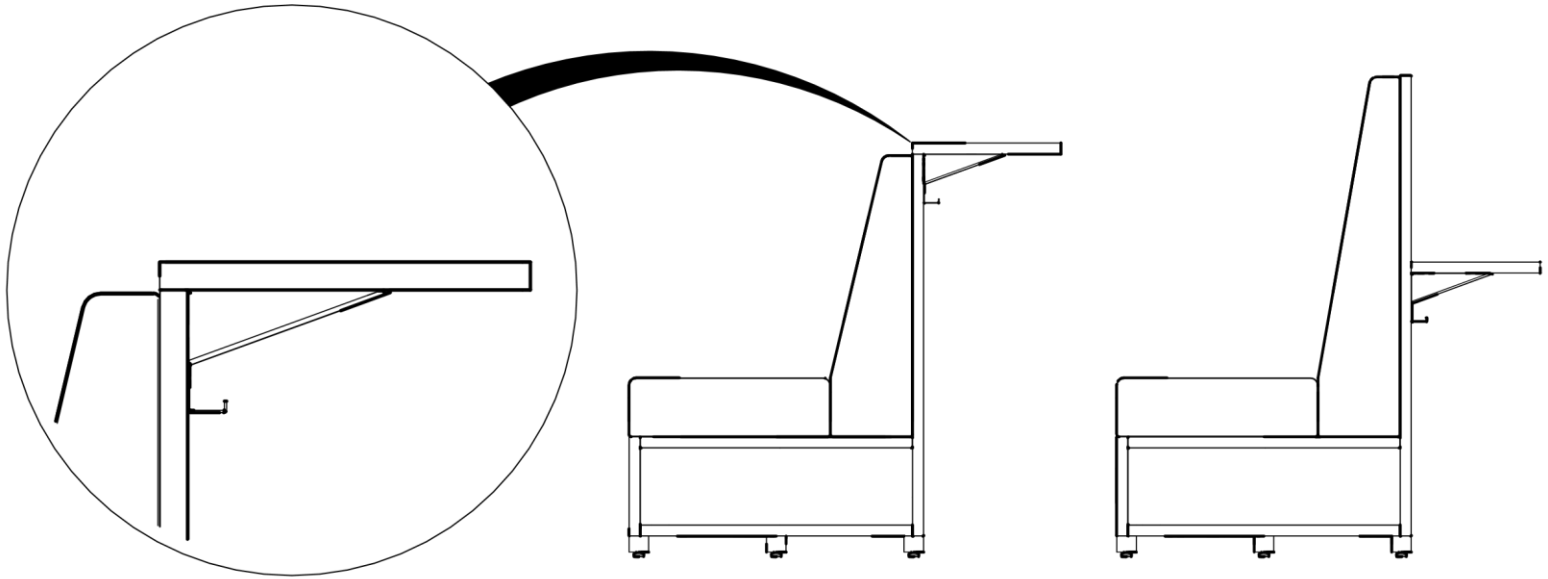
Date	Page No.	Description of change	Name
2/28/2020	ALL	Released	P. Fortin



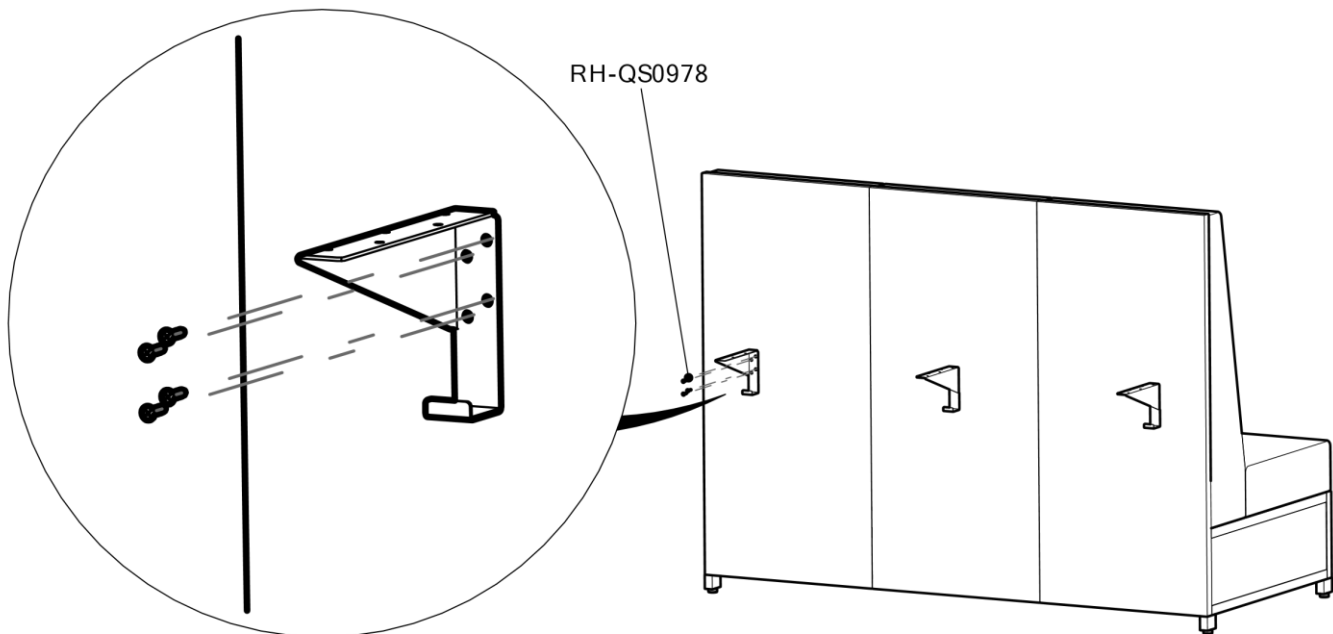
LB Ledge

Before beginning installation, please note:

1. Shown left: Lounge. 15" depth LB Ledge units are designed to be installed over the top of an LB Lounge
2. Shown Right: 13" depth LB Ledge units are designed to be installed behind the LB Lounge.

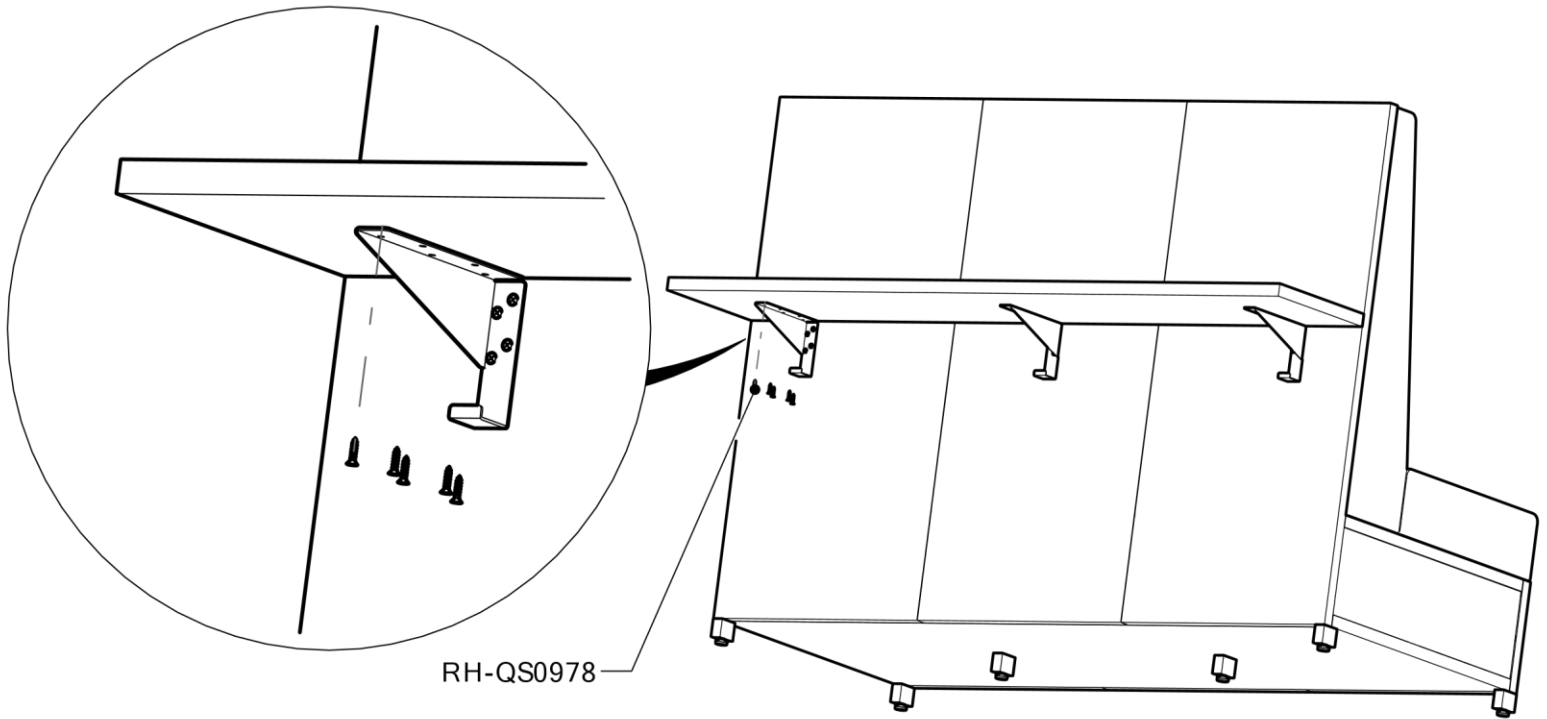


Set brackets to desired height. Install to rear of LB Lounge with work surface screws. Brackets may be placed near the outside edges of the LB Lounge, but it is recommended to set them inboard 3" to 6".



LB Ledge

Install work surface to the brackets. Secure with work surface screws.



Install covers for cantilever brackets. Secure with work surface screws.

