



PET Lite Clip Screens

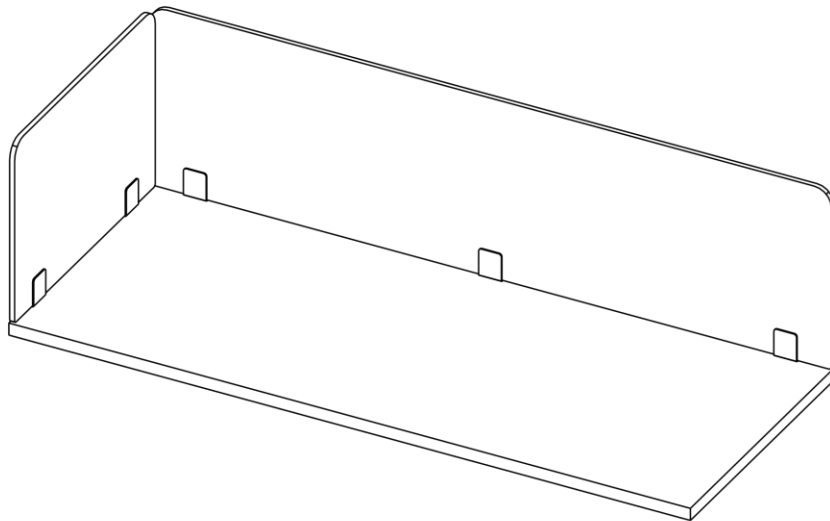
Date	Page No.	Description of change	Name
10/15/2020	1-19	Released	S. Powers
11/17/2020	20-27	Added L and U Wrap instructions	S. Powers
3/19/2021	28-30	Added Divi panel top mount instructions	S. Powers
11/22/2021	22,27	Added pages to clarify clip locations for L &U Wrap	S. Powers
02/28/2023	22,28	2-piece U Wrap screen sizes changed from: 42W – 84W to 60W – 84W	S. Powers
12/11/2025	10	Fix P4 to P3	P. Day
07/01/2026	25-30	Changed to molded bracket design	S. Powers

Table of Contents	
Page No.	Screen Installation
2 - 4	Surface Mount Territory and Front/Rear
5-7	Under Surface Mount Territory and Front/Rear
8-13	Oxygen – Under Surface Mount Territory
14-17	Aloft – Under Surface Mount Territory and Front/Rear
18-19	Freestanding
20-24	L & U Wrap – Under Surface Mount
25-29	L & U Wrap – Partial Modesty - Under Surface Mount
30-32	Divi Panel Top Mount

PET Lite Clip Screens

Surface Mount Territory and Front/Rear

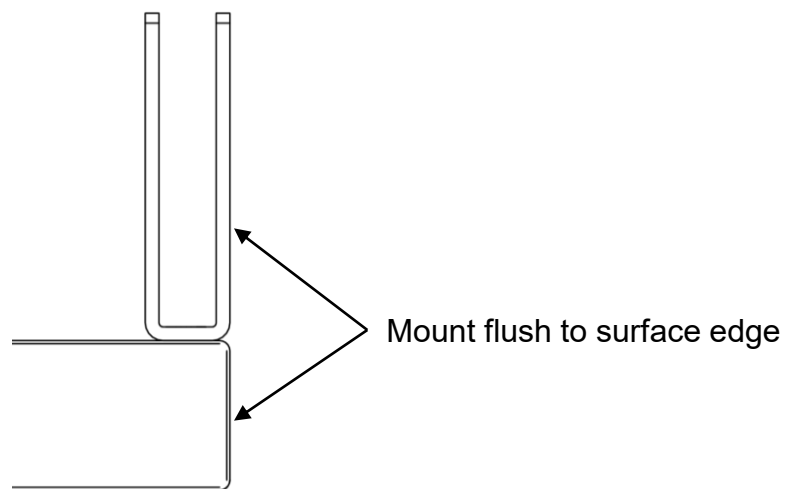
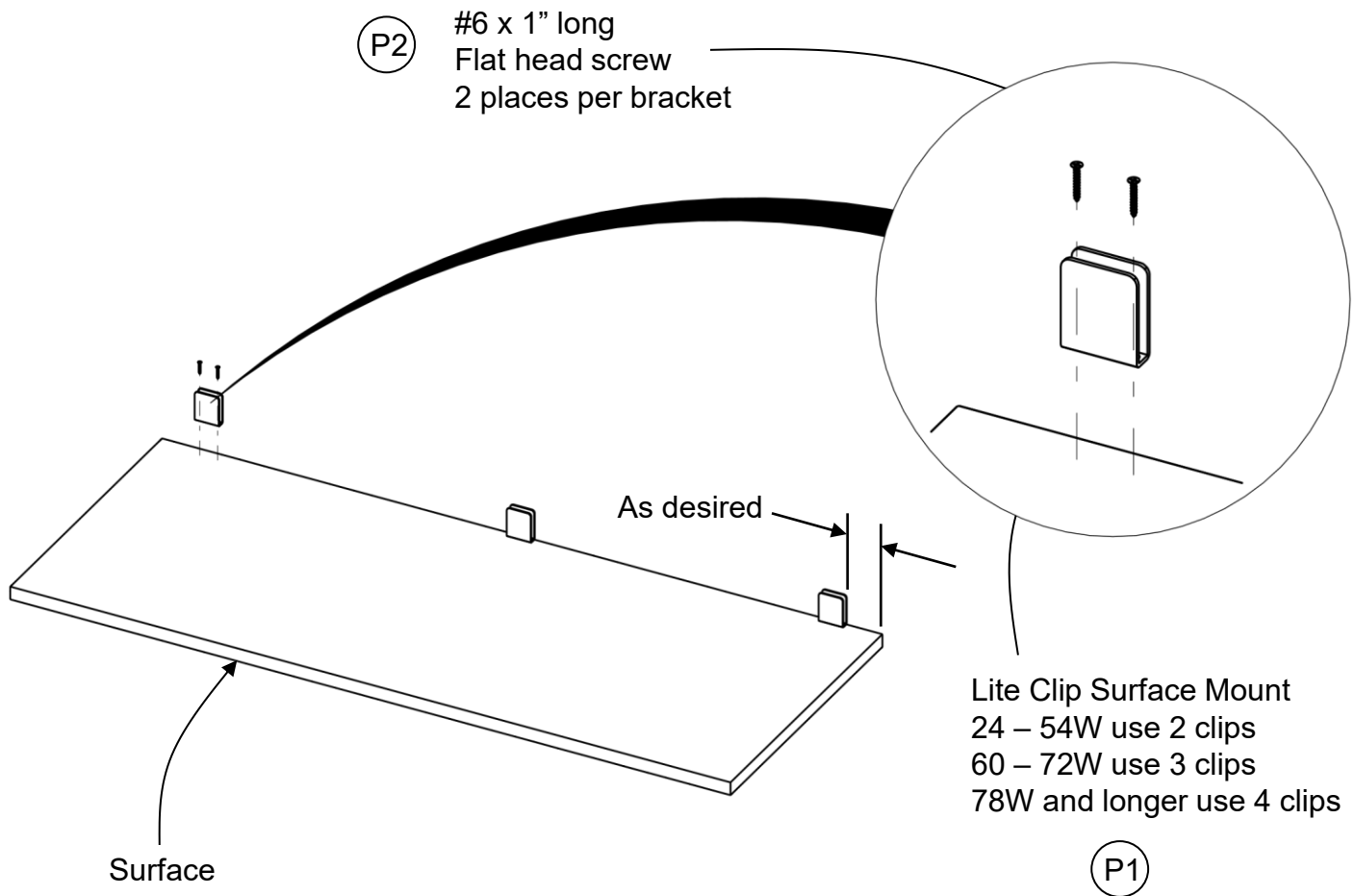
Item	Replacement Part number	Circle Sheet Part Number	Description	Image
P1	A-PETUMT	RA-PETUMT	Lite Clip	
P2	RH-01071946	RH-01071946	#6 X 1" Long Flat Head Screw	



PET Lite Clip Screens

Surface Mount Territory and Front/Rear

Step 1: Install clips to surface using #6 x 1" long flat head screws.



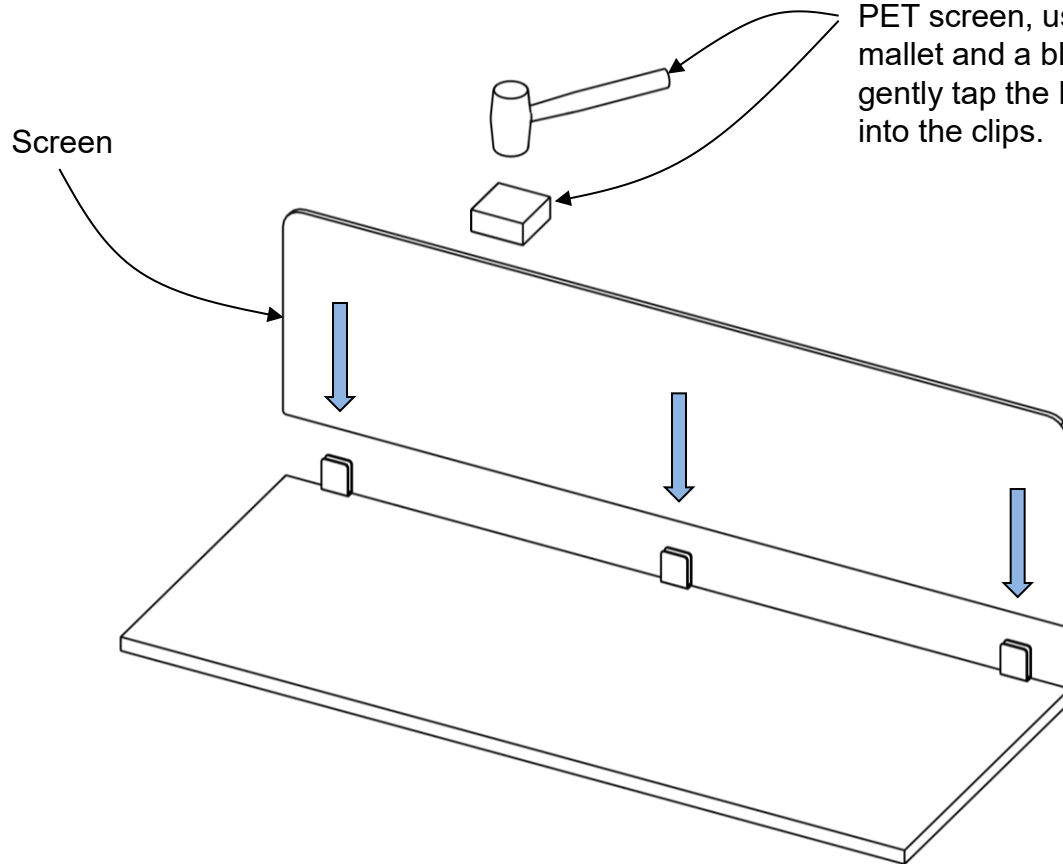
PET Lite Clip Screens

Surface Mount Territory and Front/Rear

Step 2: Carefully position screen in clips. Use a rubber mallet and a block of wood to gently tap the top of the PET screen until the screen is fully seated at the bottom of the clips.


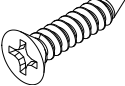


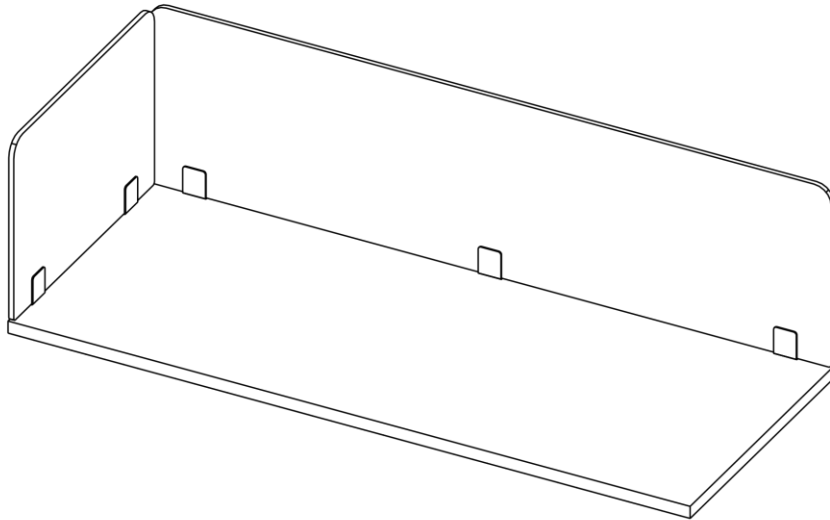
To prevent damage to the PET screen, use a rubber mallet and a block of wood to gently tap the PET screen into the clips.



PET Lite Clip Screens

Under Surface Mount Territory and Front/Rear

Item	Replacement Part number	Circle Sheet Part Number	Description	Image
P1	A-RETUMC	RA-RETUMC	Lite Clip Under Surface Mounting Bracket	
P2	RH-QS0978	RH-QS0978	Flat Head Screw #9 x 7/8" Long	



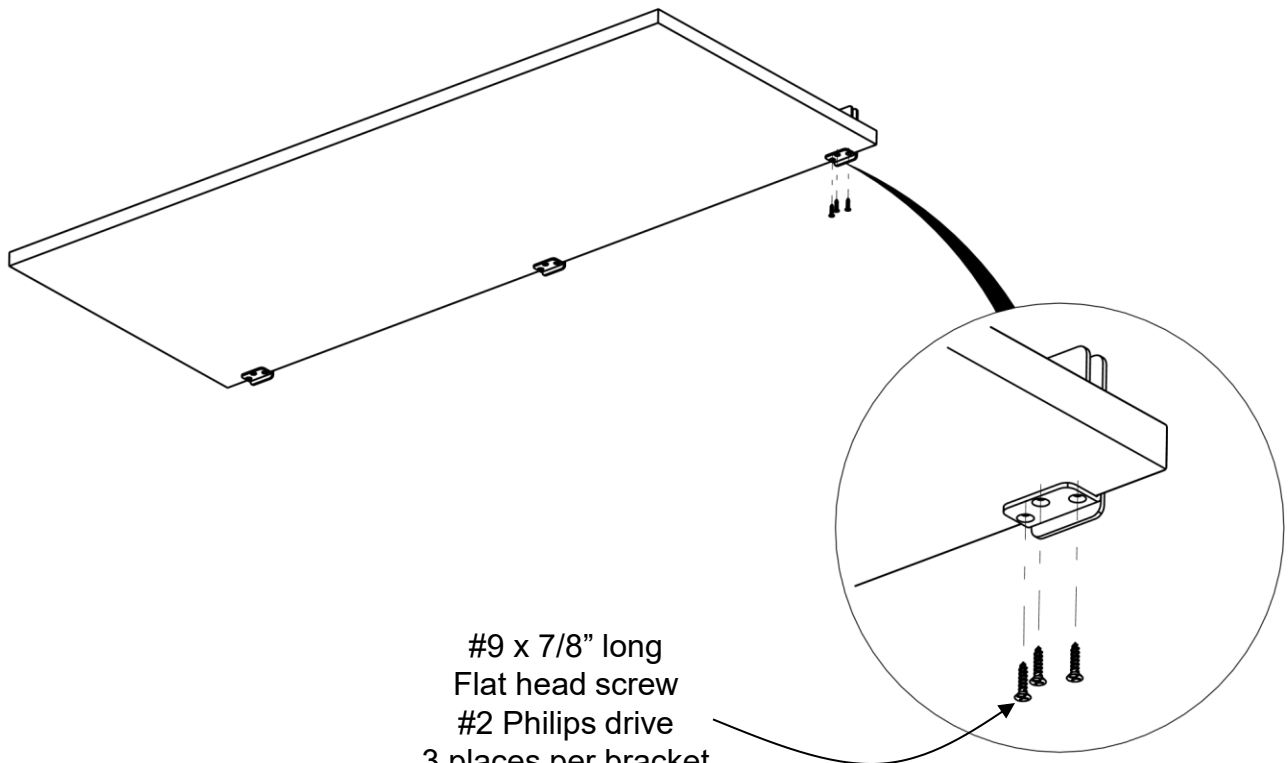
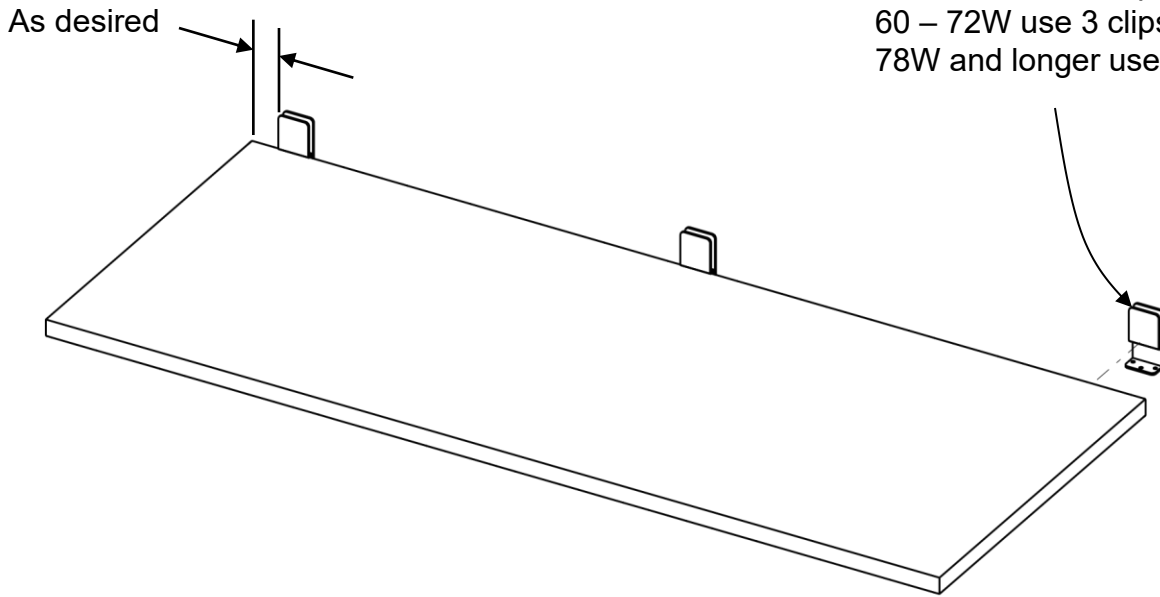
Step 1: Install clips to surface using #9 x 7/8" long flat head screws.

Lite Clip Under Surface Mount

24 – 54W use 2 clips

60 – 72W use 3 clips

78W and longer use 4 clips

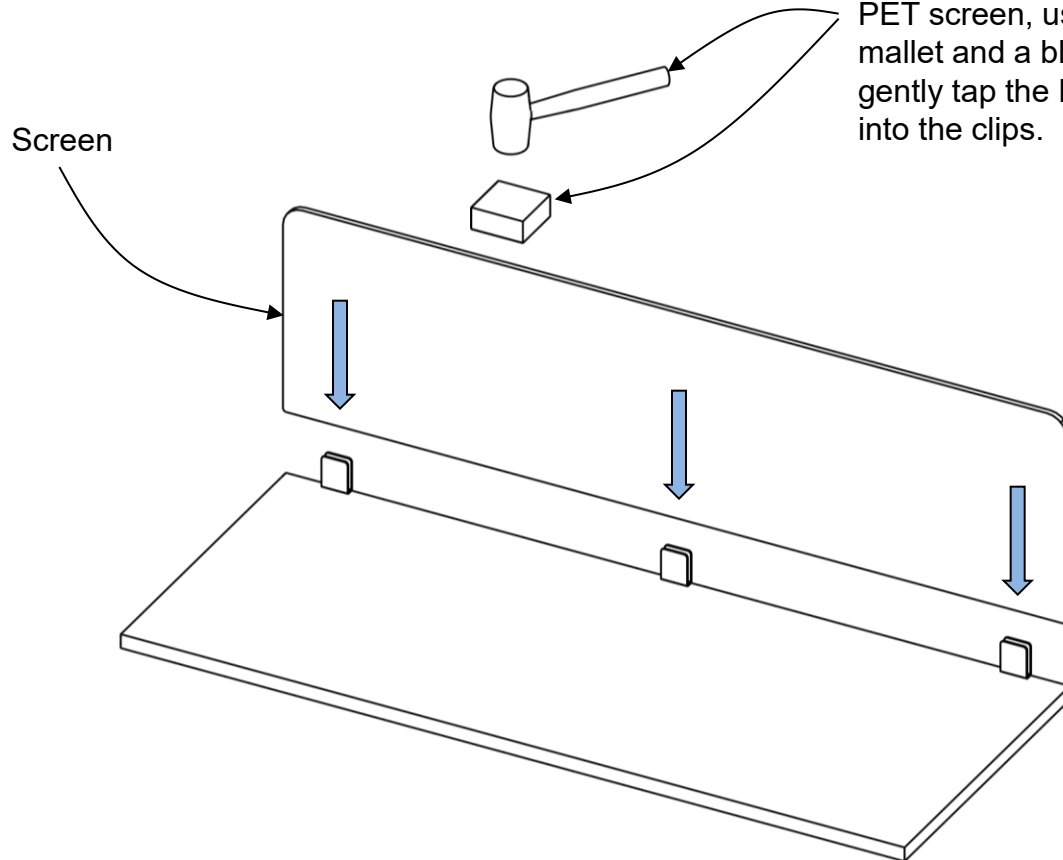


#9 x 7/8" long
Flat head screw
#2 Philips drive
3 places per bracket

Step 2: Carefully position screen in clips. Use a rubber mallet and a block of wood to gently tap the top of the PET screen until the screen is fully seated at the bottom of the clips.

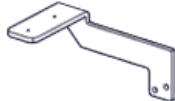

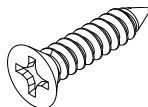

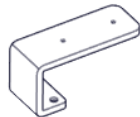





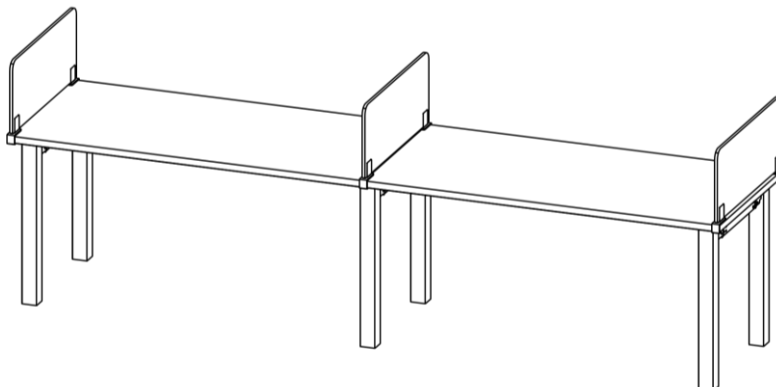
To prevent damage to the PET screen, use a rubber mallet and a block of wood to gently tap the PET screen into the clips.



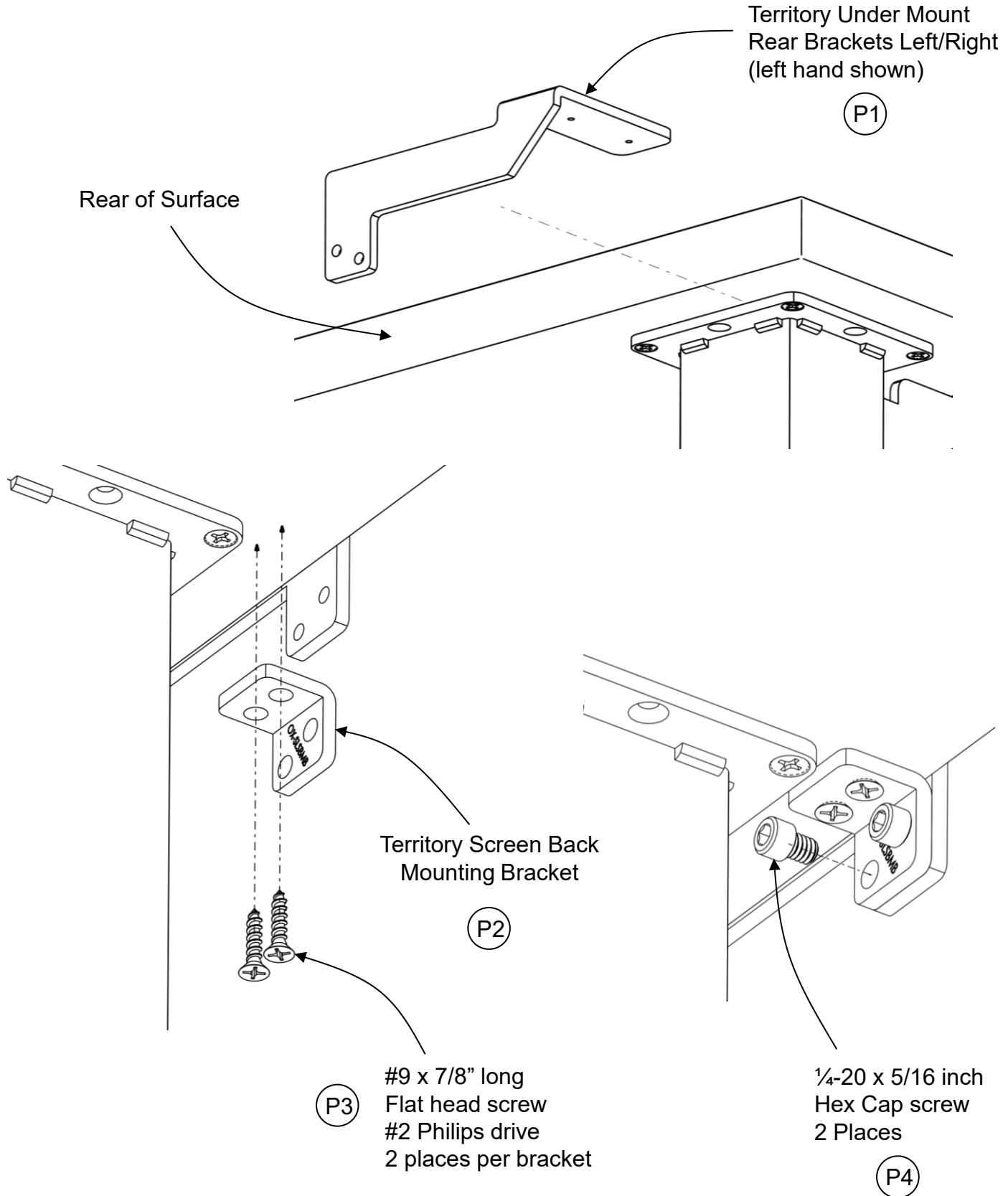
PET Lite Clip Screens

Oxygen- Under Surface Mount Territory

Item	Replacement Part number	Circle Sheet Part Number	Description	Image
P1	A-PETUMCR (right) A-PETUMCL (left)	RA-PETUMCR (right) RA-PETUMCL (left)	Territory Under Mount Rear Bracket Left/Right	
P2	OX-SLSBMB	OX-SLSBMB	Territory Screen Back Mounting Bracket	
P3	RH-QS0978	RH-QS0978	Flat Head Screw #9 x 7/8" Long	
P4	RH-SHB1420516BI	RH-SHB1420516BI	Hex Cap Screw 1/4-20 x 5/16" long	
P5	A-PETUMCF	RA-PETUMCF	Territory Under Mount Front Bracket	
P6	A-PETUMT	RA-PETUMT	Lite Clip	
P7	RH-90273A144	RH-90273A144	#6-32 X 1/4" long Flat Head Screw	
P8	A-PETUMCC	RA-PETUMCC	Territory Under Mount Rear Center Bracket	



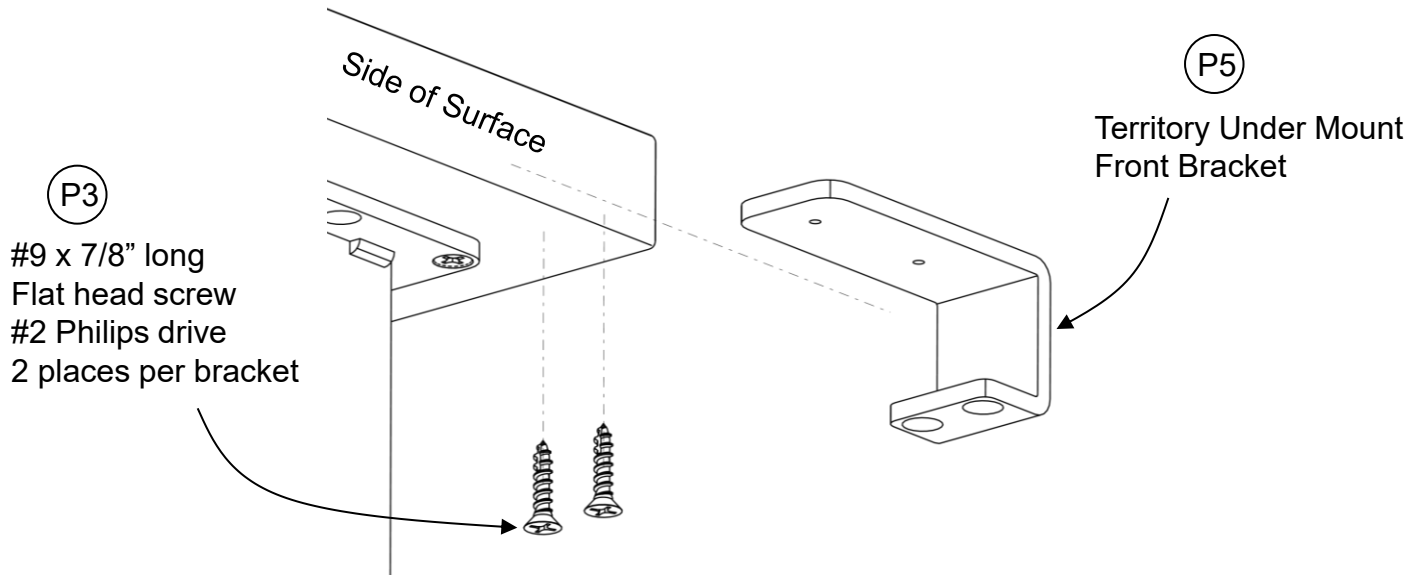
Step 1: Install rear under mount brackets.



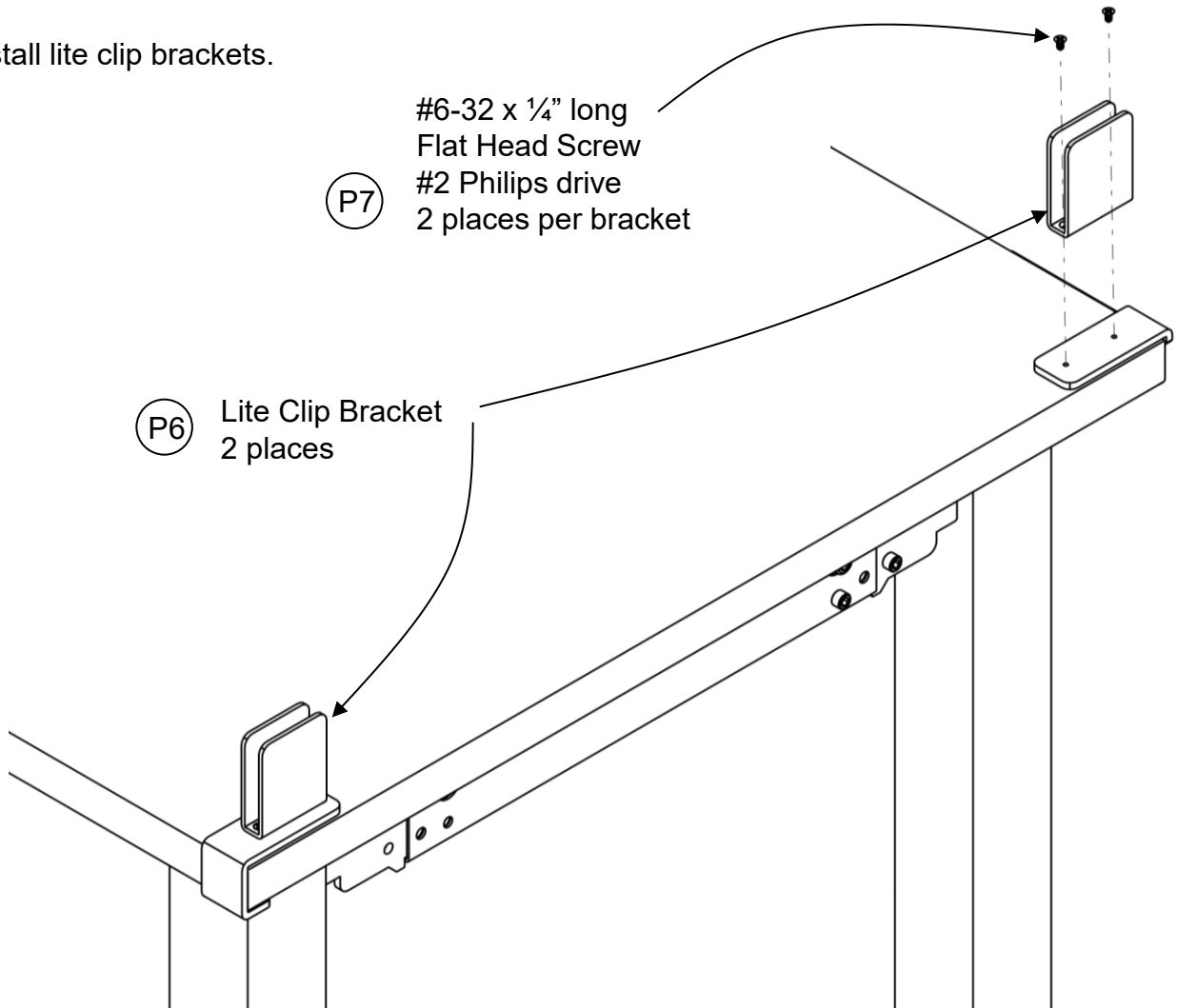
PET Lite Clip Screens

Oxygen- Under Surface Mount Territory - End

Step 2: Install front under mount brackets.

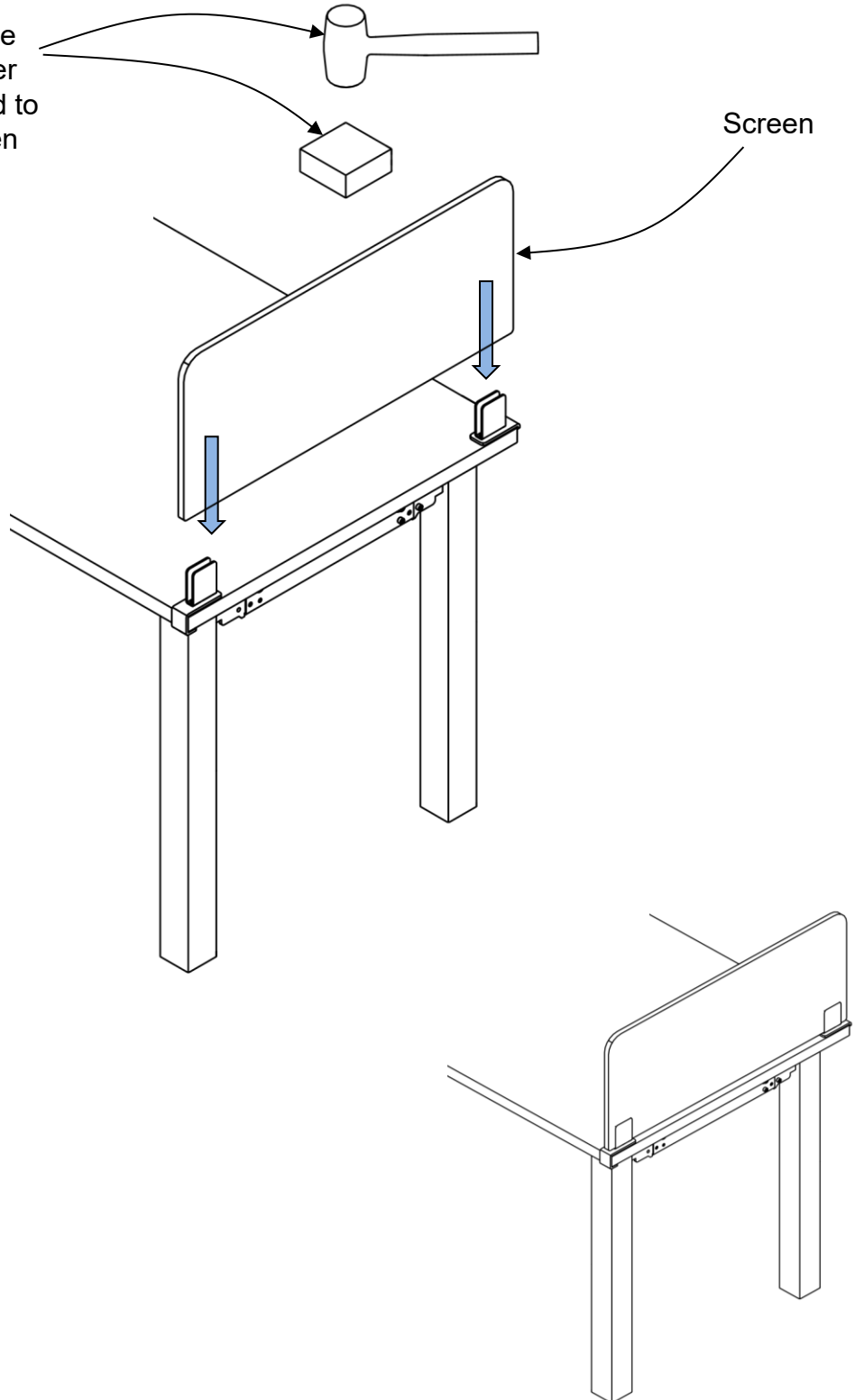


Step 3: Install lite clip brackets.



Step 4: Carefully position screen in clips. Use a rubber mallet and a block of wood to gently tap the top of the PET screen until the screen is fully seated at the bottom of the clips.

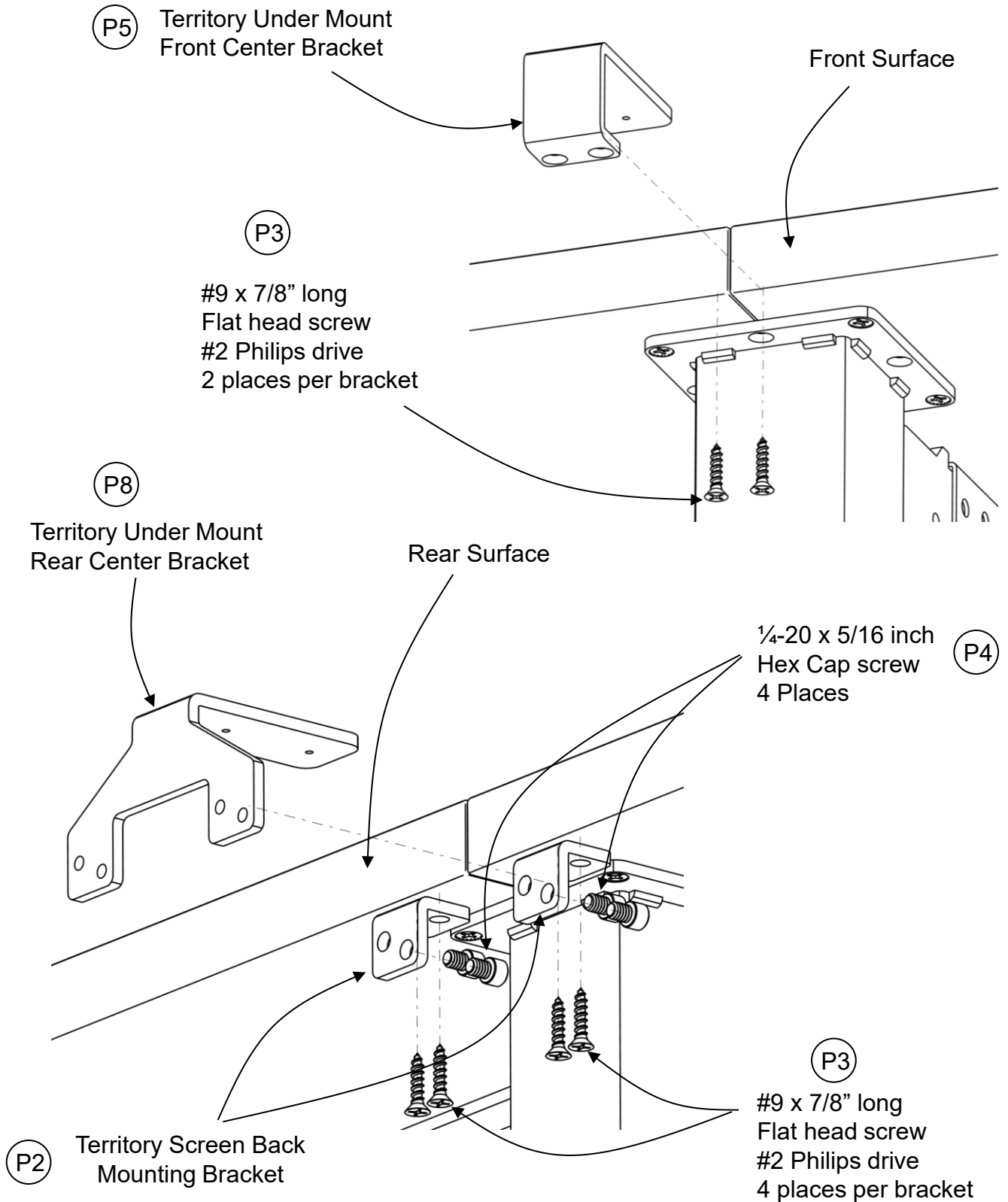
To prevent damage to the PET screen, use a rubber mallet and a block of wood to gently tap the PET screen into the clips.



PET Lite Clip Screens

Oxygen- Under Surface Mount Territory - Shared

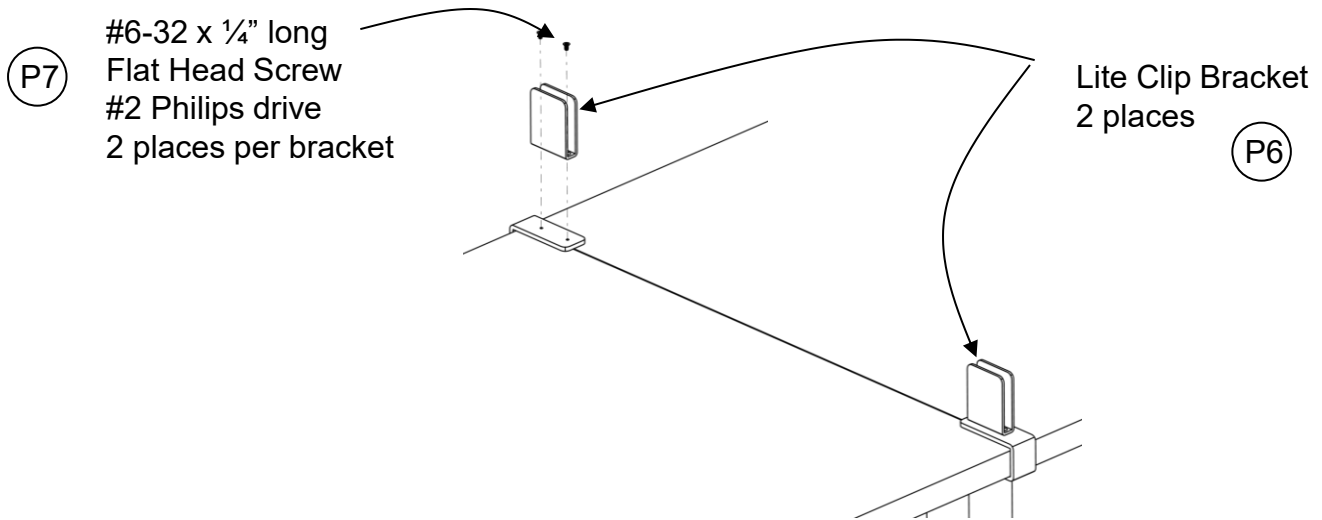
Step 1: Install front and rear under mount brackets.



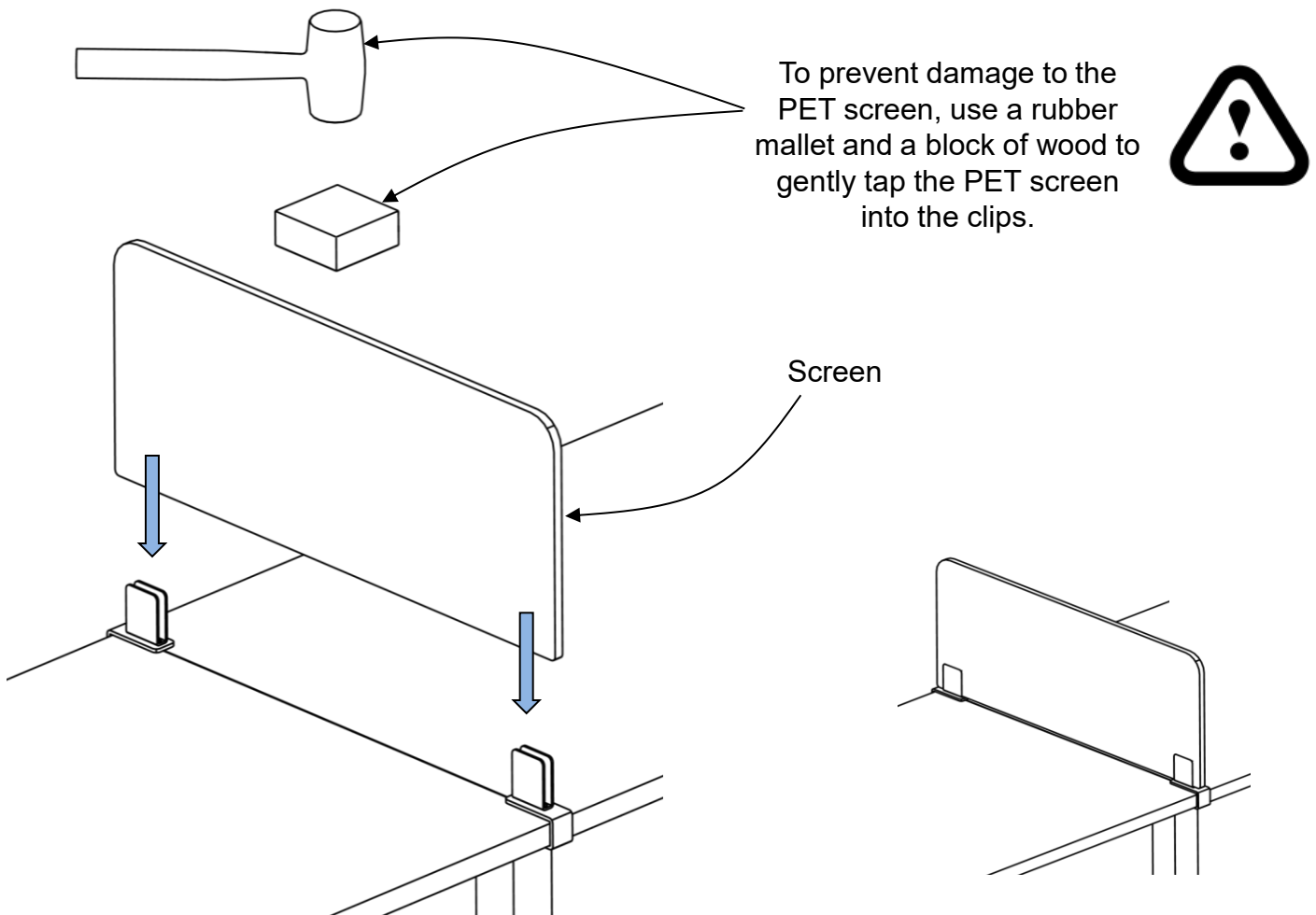
PET Lite Clip Screens

Oxygen- Under Surface Mount Territory - Shared

Step 2: Install lite clip brackets.

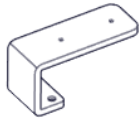
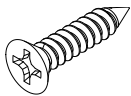





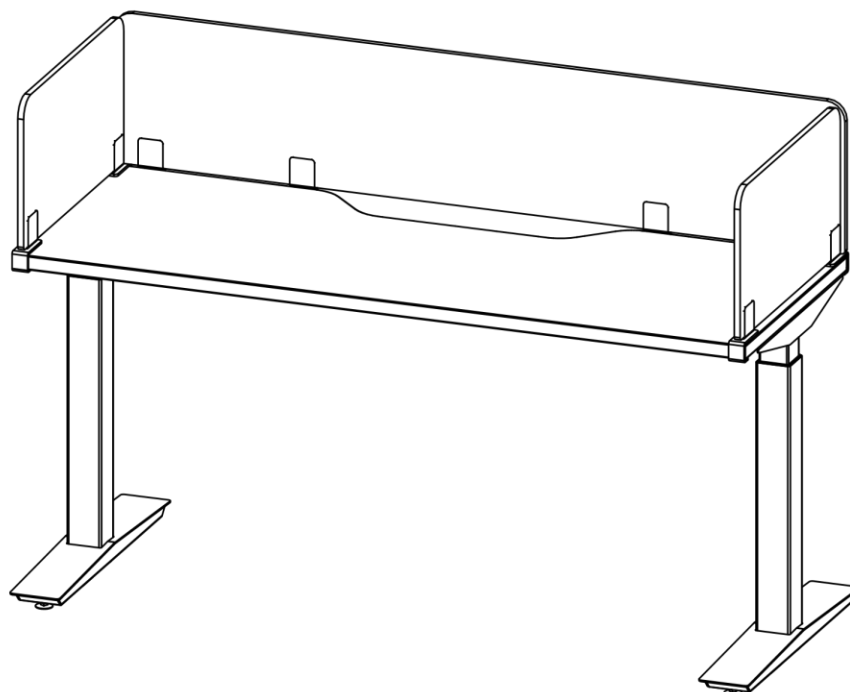
Step 3: Carefully position screen in clips. Use a rubber mallet and a block of wood to gently tap the top of the PET screen until the screen is fully seated at the bottom of the clips.



PET Lite Clip Screens

Aloft - Under Surface Mount Territory and Rear/Front

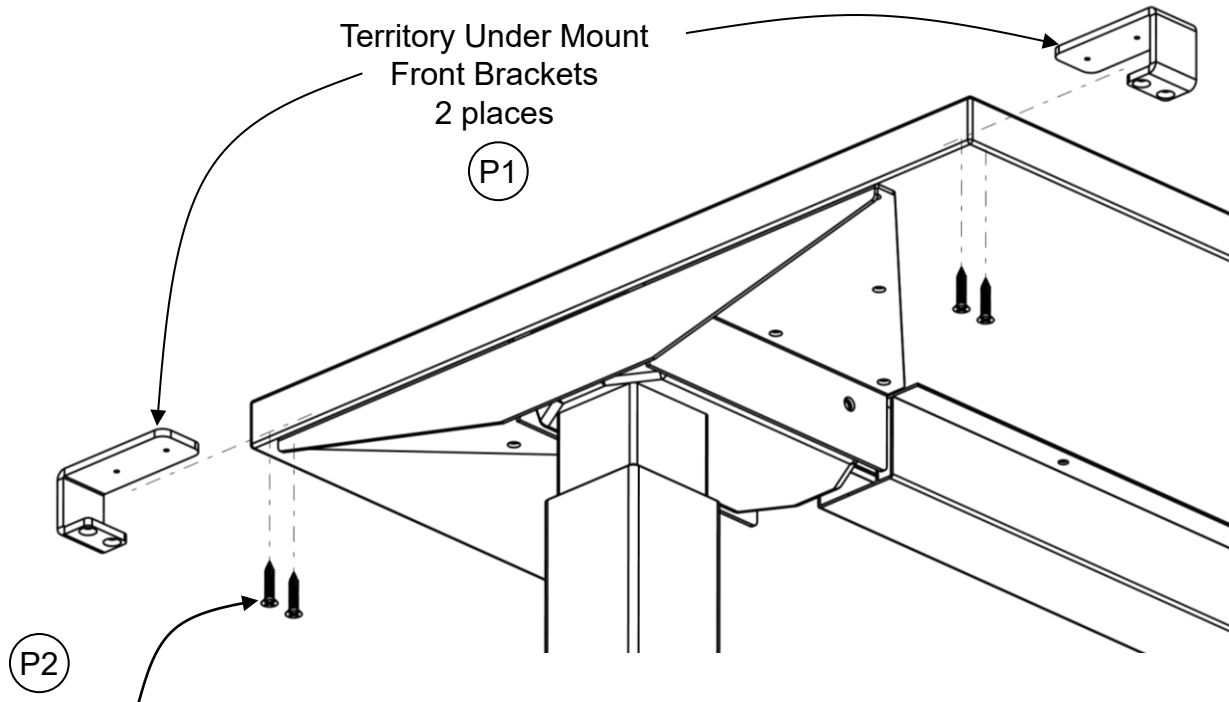
Item	Replacement Part number	Circle Sheet Part Number	Description	Image
P1	A-PETUMCF	RA-PETUMCF	Territory Under Mount Front Bracket	
P2	RH-QS0978	RH-QS0978	Flat Head Screw #9 x 7/8" Long	
P3	A-PETUMT	RA-PETUMT	Lite Clip	
P4	RH-90273A144	RH-90273A144	#6-32 X 1/4" long Flat Head Screw	
P5	A-RETUMC	RA-RETUMC	Lite Clip Under Surface Mounting Bracket	



PET Lite Clip Screens

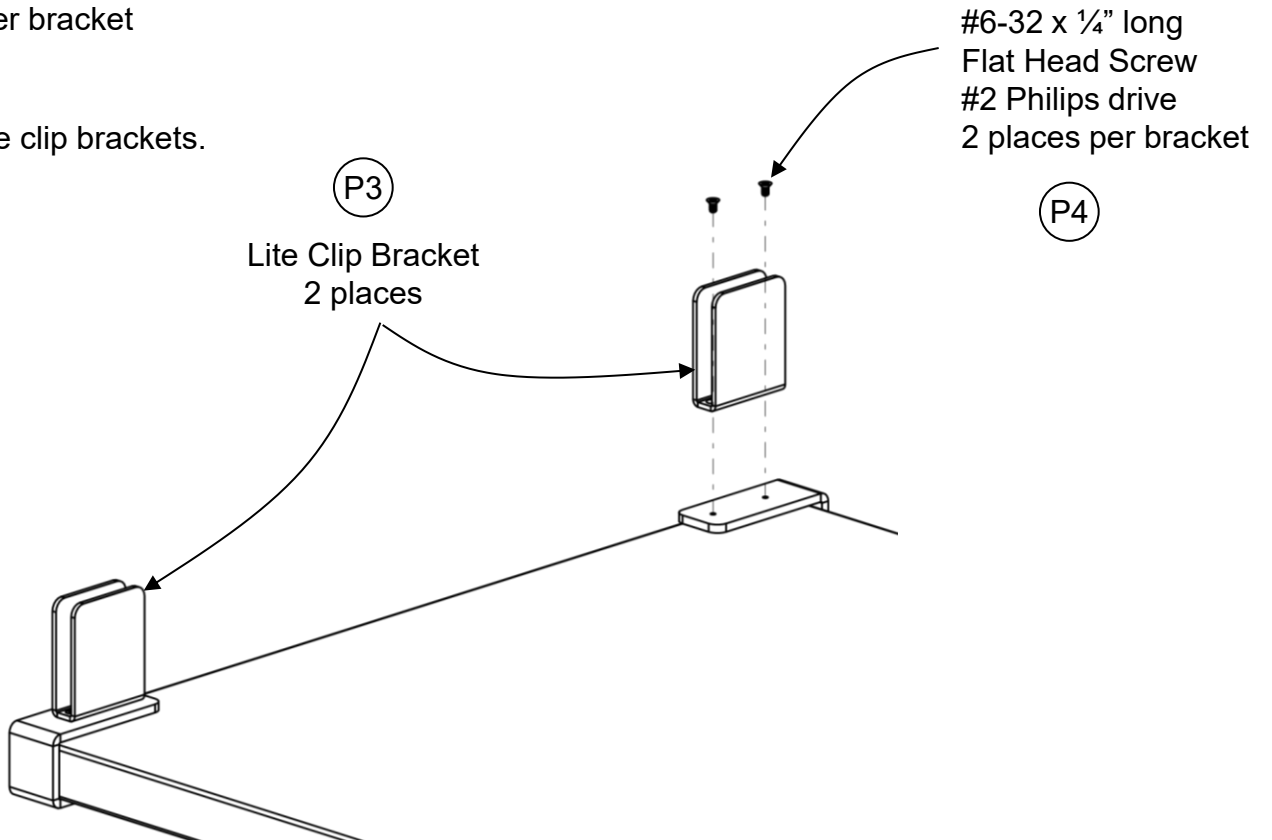
Aloft - Under Surface Mount Territory

Step 1: Install two territory under mount brackets.

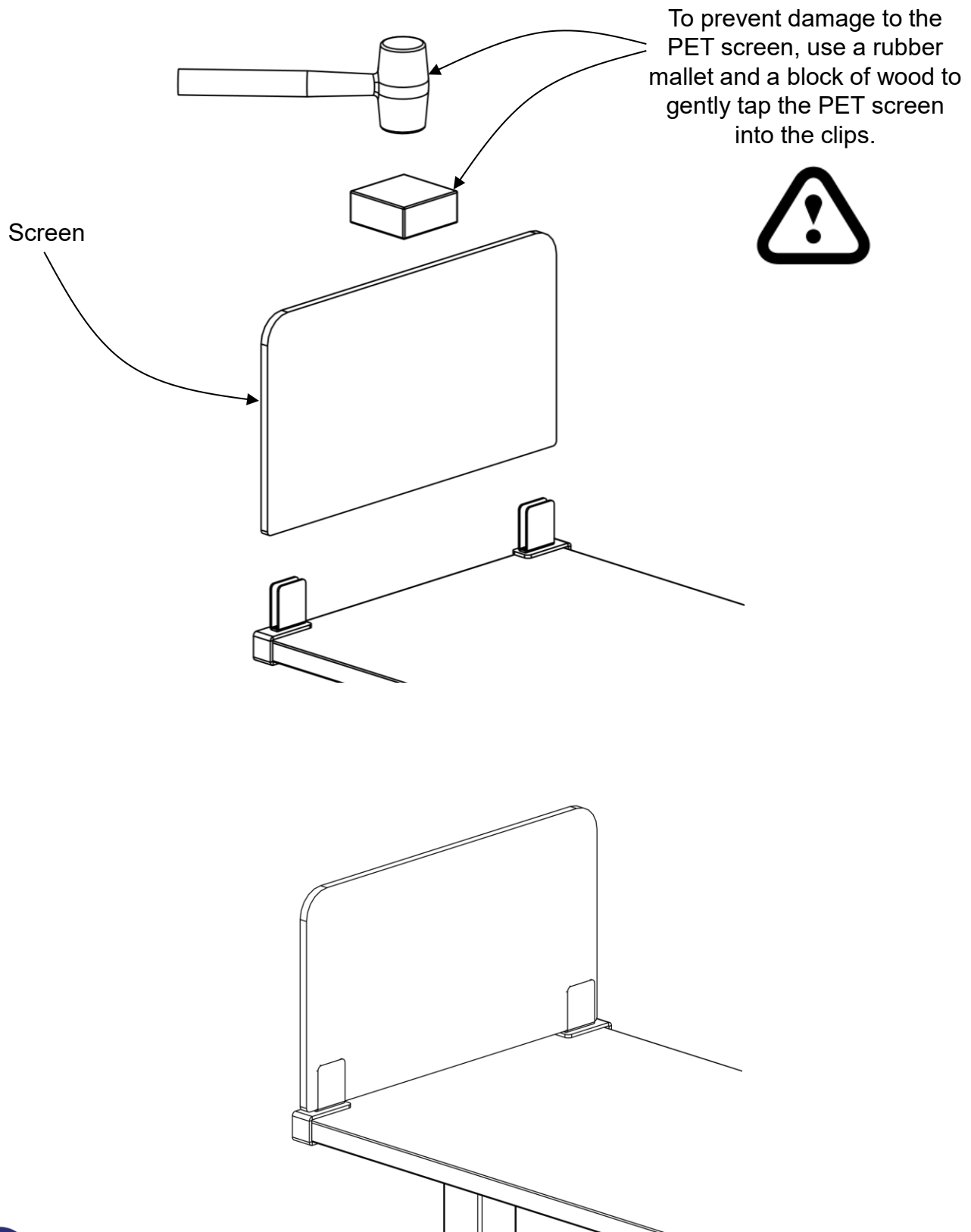


#9 x 7/8" long
Flat head screw
#2 Philips drive
2 places per bracket

Step 2: Install lite clip brackets.



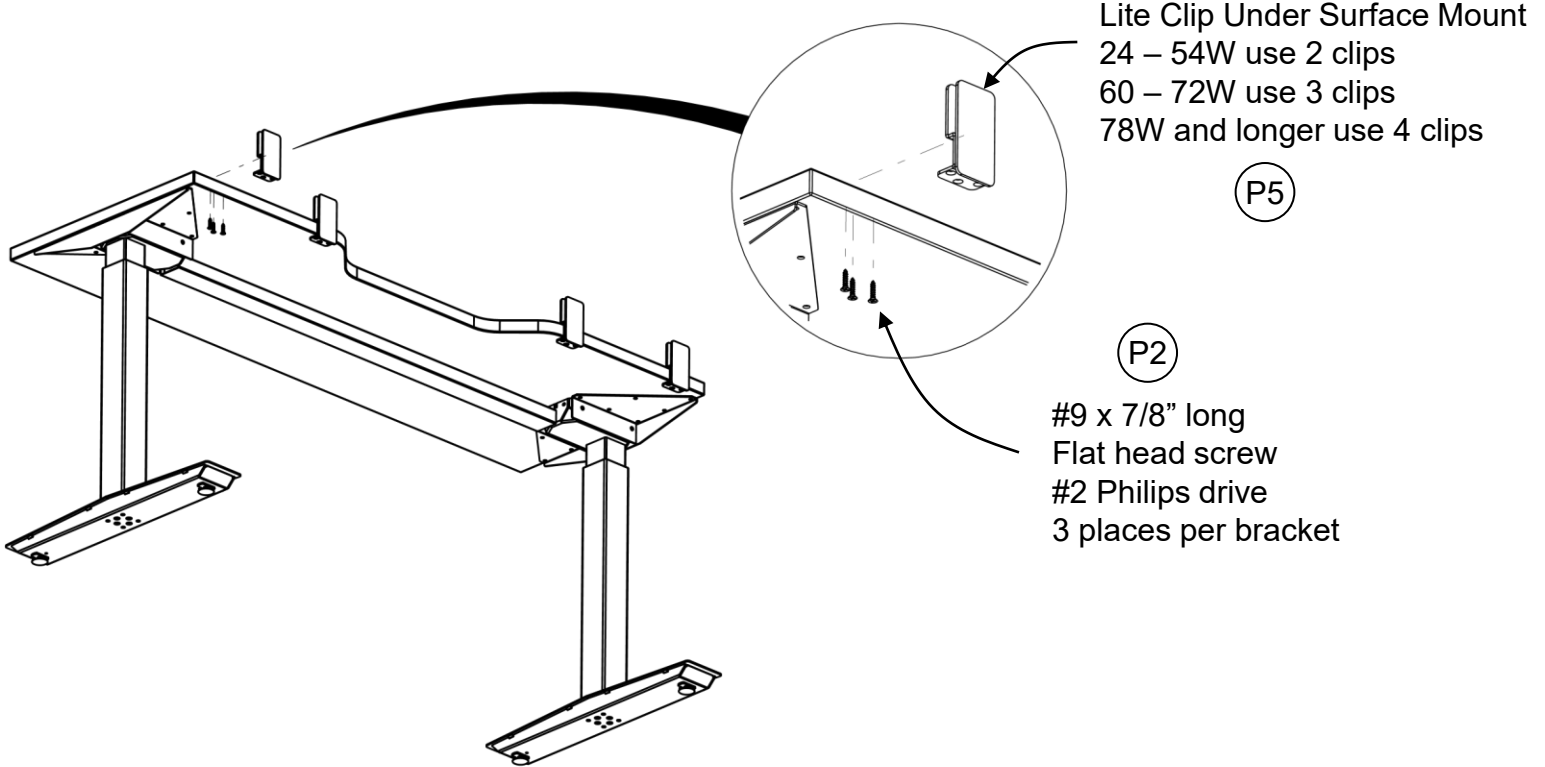
Step 3: Carefully position screen in clips. Use a rubber mallet and a block of wood to gently tap the top of the PET screen until the screen is fully seated at the bottom of the clips.



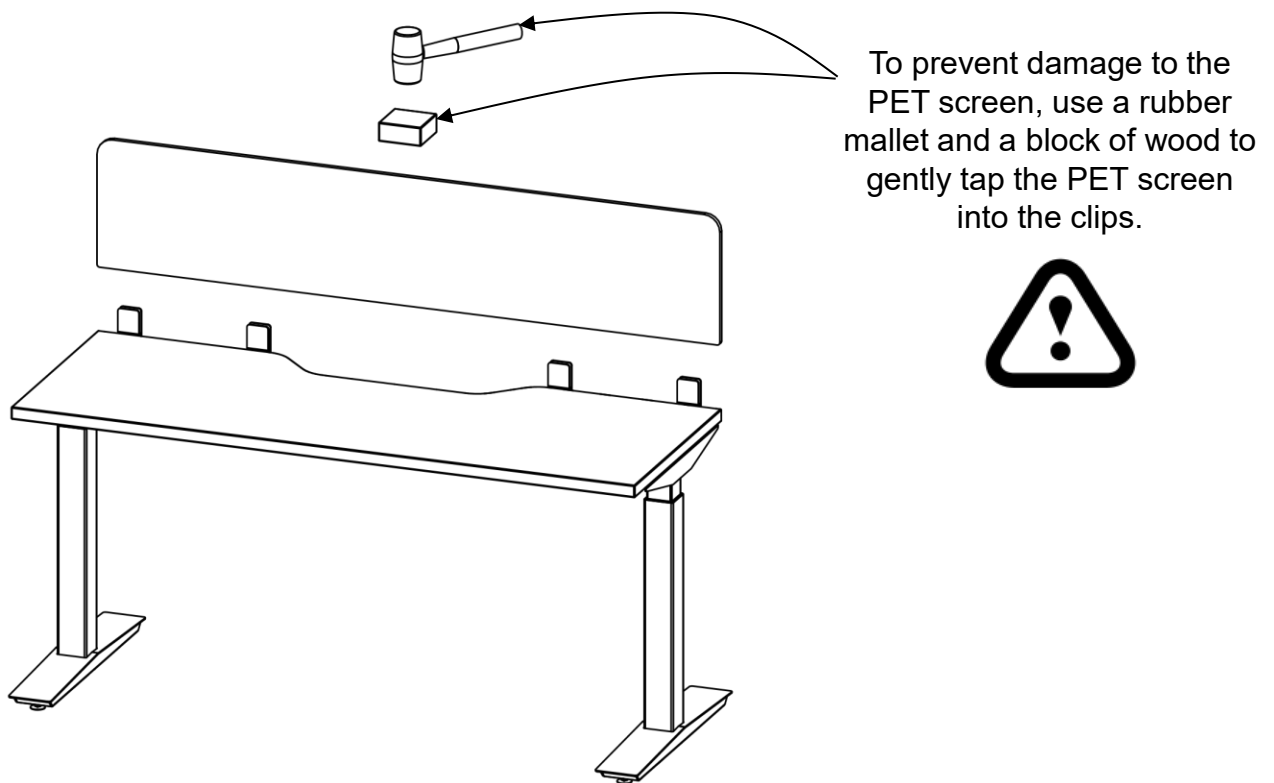
PET Lite Clip Screens

Aloft - Under Surface Mount Rear/Front

Step 1: Install clips to surface using #9 x 7/8" long flat head screws.

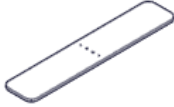





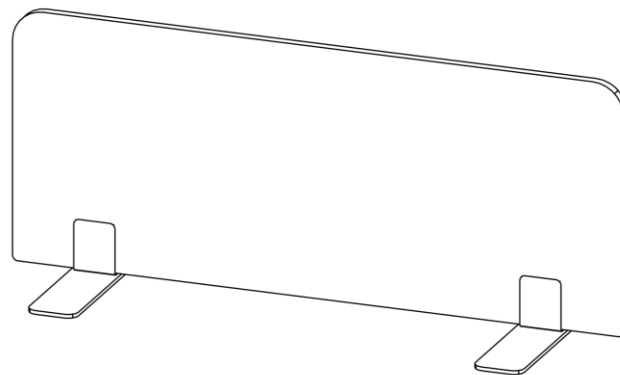
Step 2: Carefully position screen in clips. Use a rubber mallet and a block of wood to gently tap the top of the PET screen until the screen is fully seated at the bottom of the clips.



PET Lite Clip Screens

Freestanding

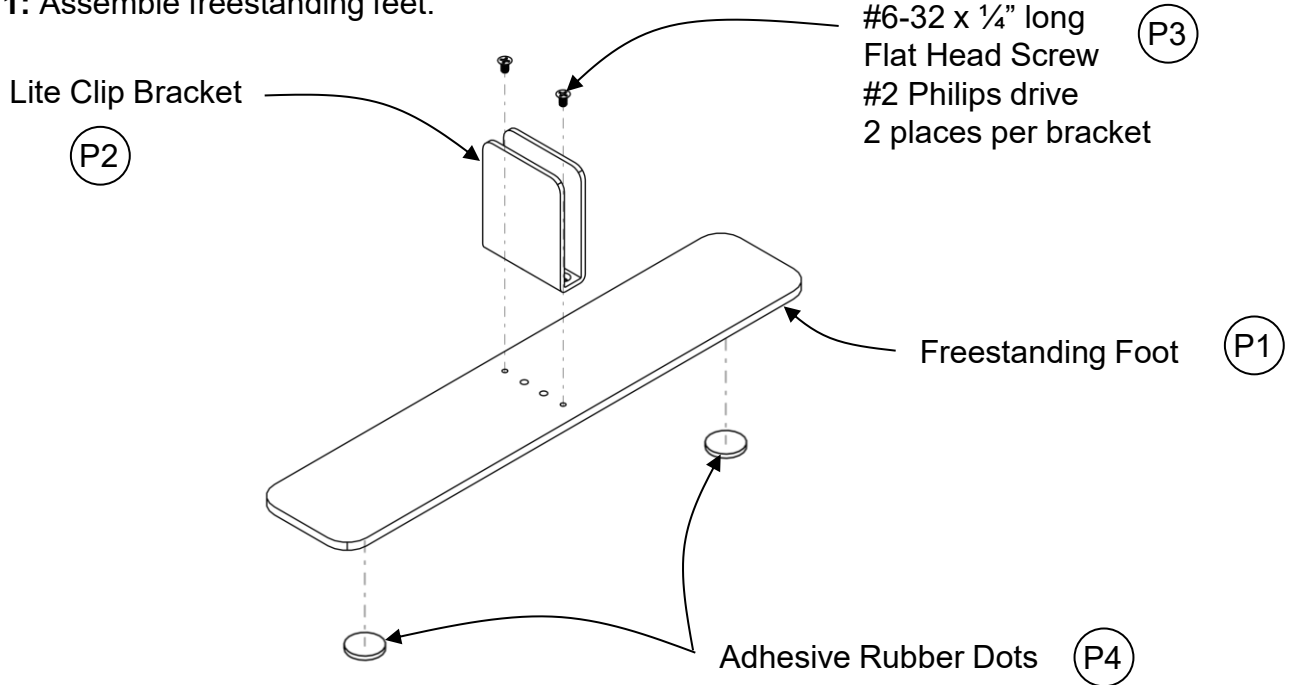
Item	Replacement Part number	Circle Sheet Part Number	Description	Image
P1	RP-SP12	RP-SP12	Freestanding Foot	
P2	A-PETUMT	RA-PETUMT	Lite Clip	
P3	RH-90273A144	RH-90273A144	#6-32 X 1/4" long Flat Head Screw	
P4	RH-34ARD	RH-34ARD	Adhesive Rubber Dots	



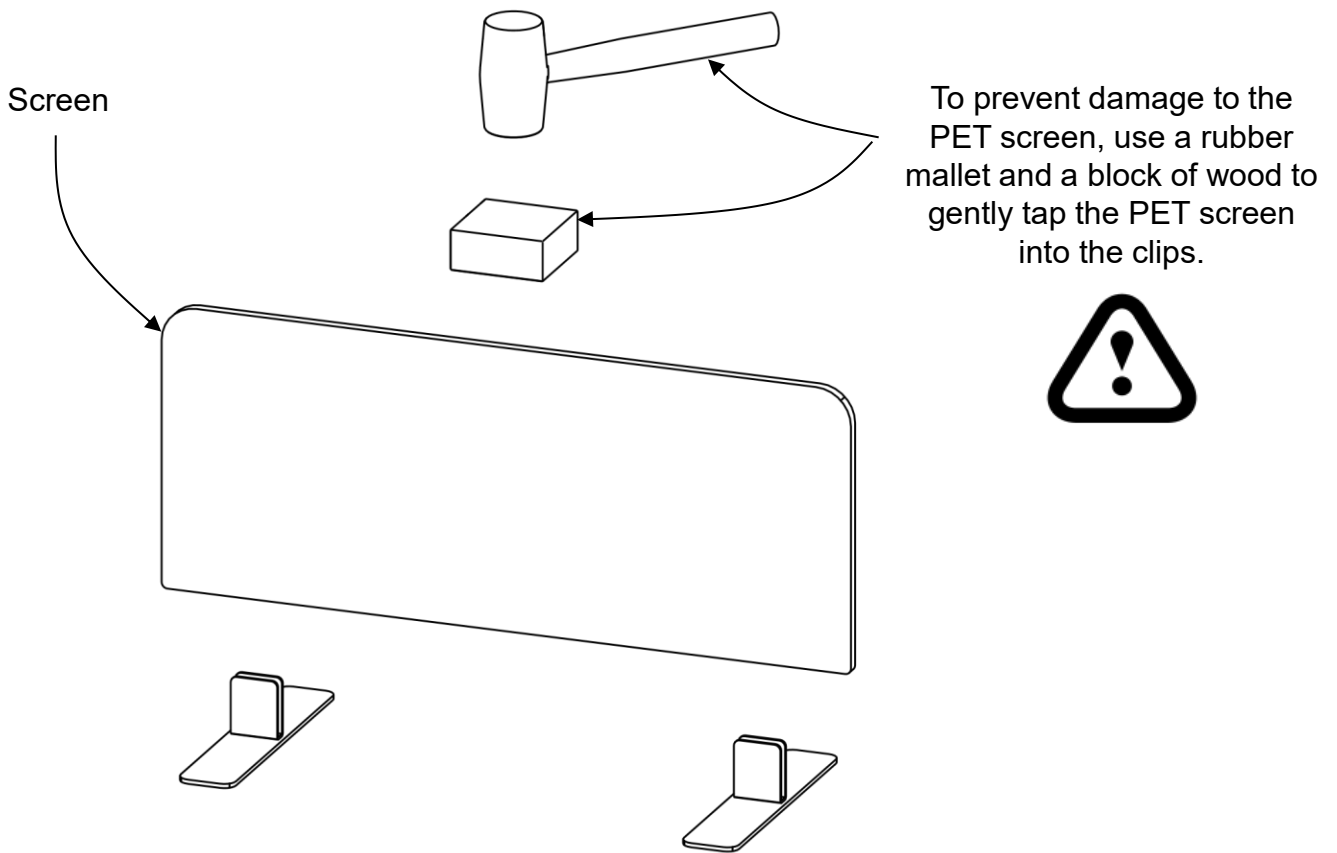
PET Lite Clip Screens

Freestanding

Step 1: Assemble freestanding feet.


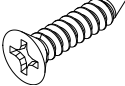


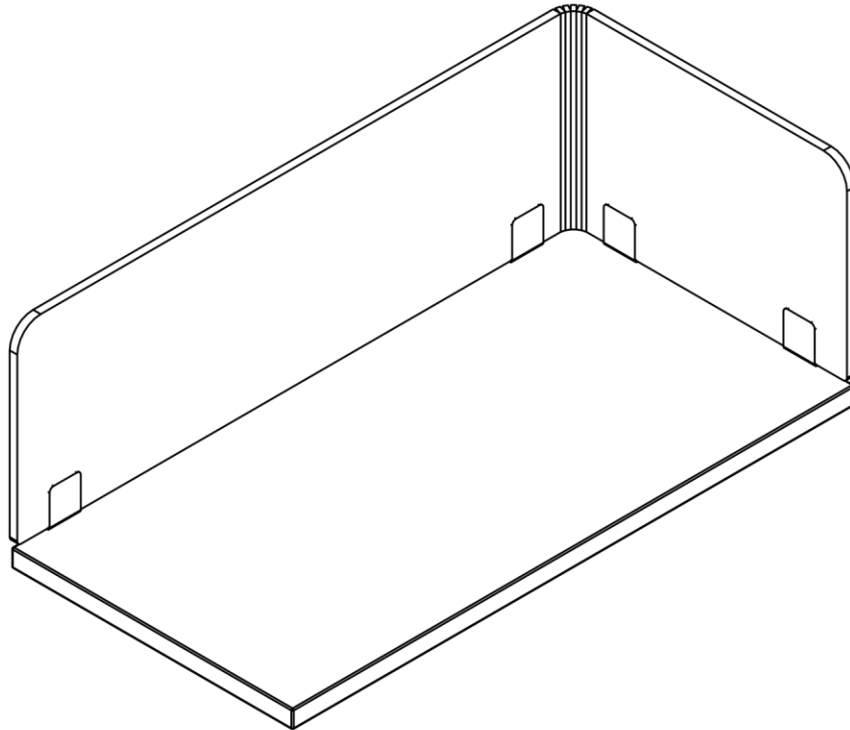
Step 2: Carefully position screen in clips. Use a rubber mallet and a block of wood to gently tap the top of the PET screen until the screen is fully seated at the bottom of the clips.



PET Lite Clip Screens

L & U Wrap – Under Surface Mount

Item	Replacement Part number	Circle Sheet Part Number	Description	Image
P1	A-RETUMC	RA-RETUMC	Lite Clip Under Surface Mounting Bracket	
P2	RH-QS0978	RH-QS0978	Flat Head Screw #9 x 7/8" Long	

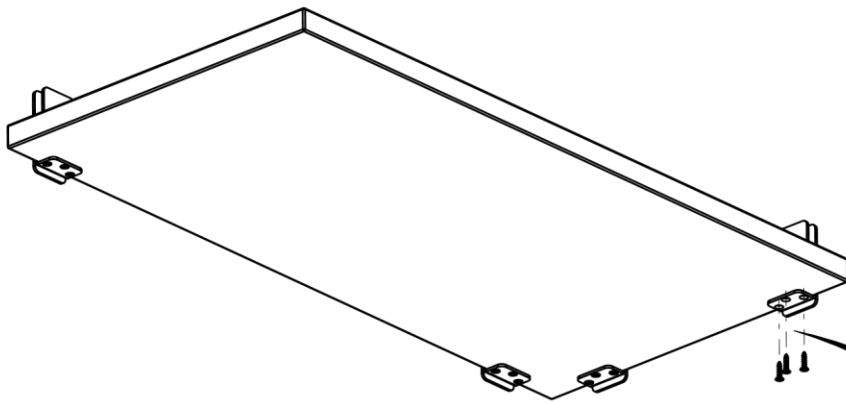
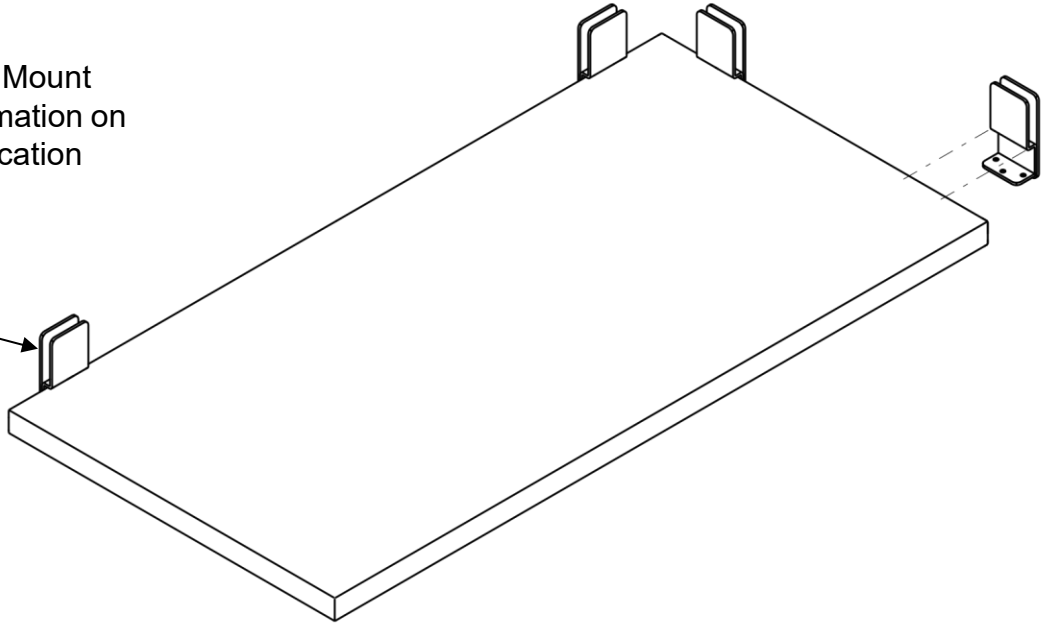


PET Lite Clip Screens

L & U Wrap – Under Surface Mount

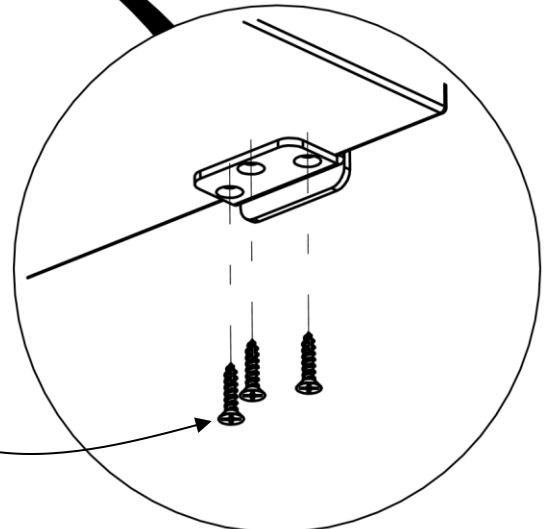
Step 1: Install clips to surface using #9 x 7/8" long flat head screws.

(P1) Lite Clip Under Surface Mount
See next page for information on required quantity and location



(P2)

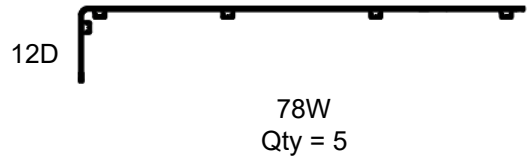
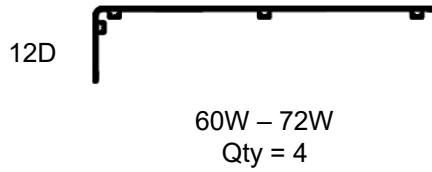
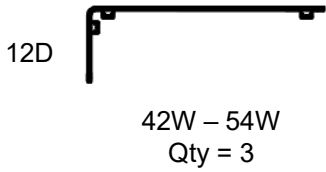
#9 x 7/8" long
Flat head screw
#2 Philips drive
3 places per bracket



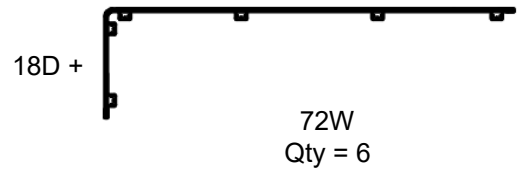
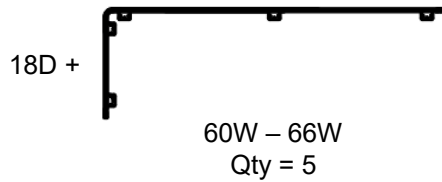
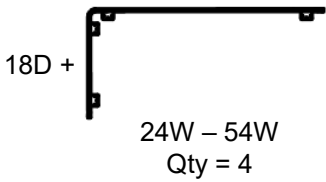
PET Lite Clip Screens

L & U Wrap – Under Surface Mount – Clip Locations

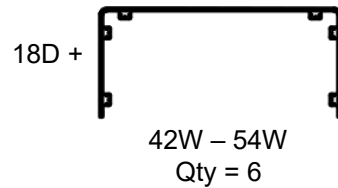
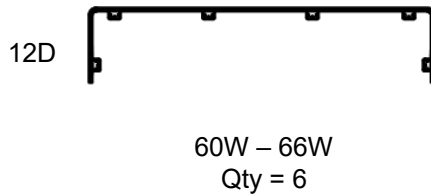
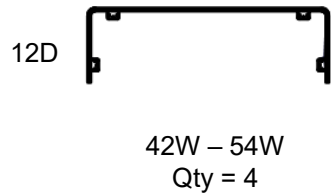
L-Wrap Screens 12D



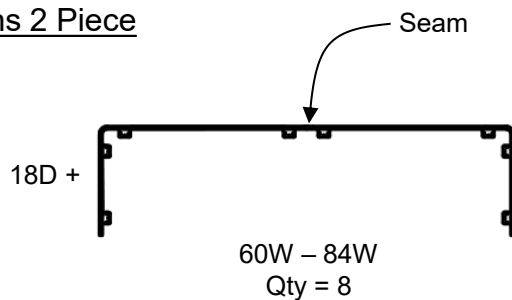
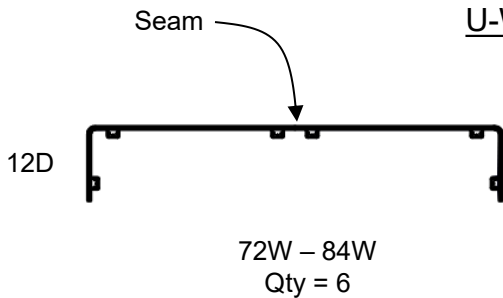
L-Wrap Screens 18D-42D



U-Wrap Screens 1 Piece



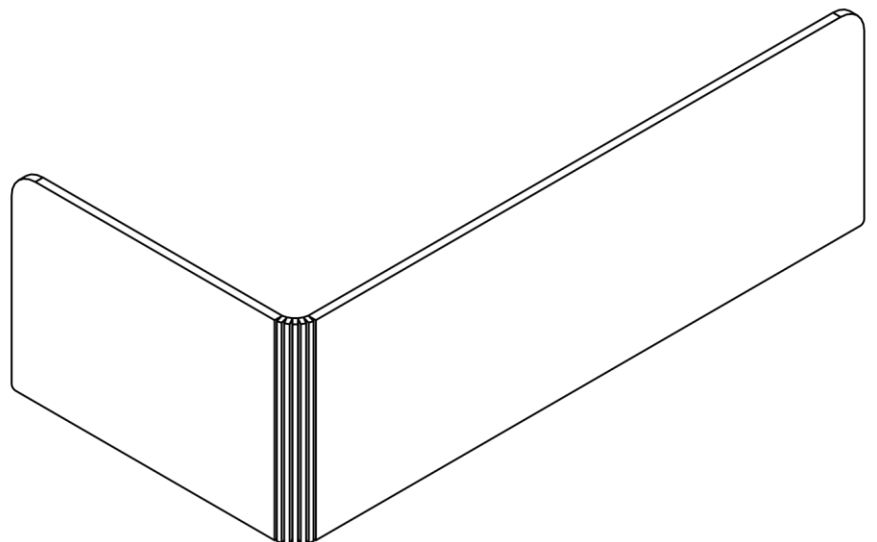
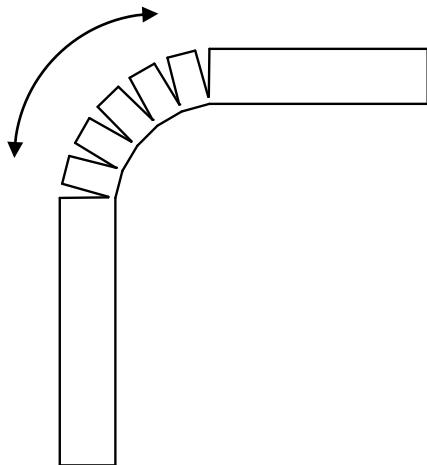
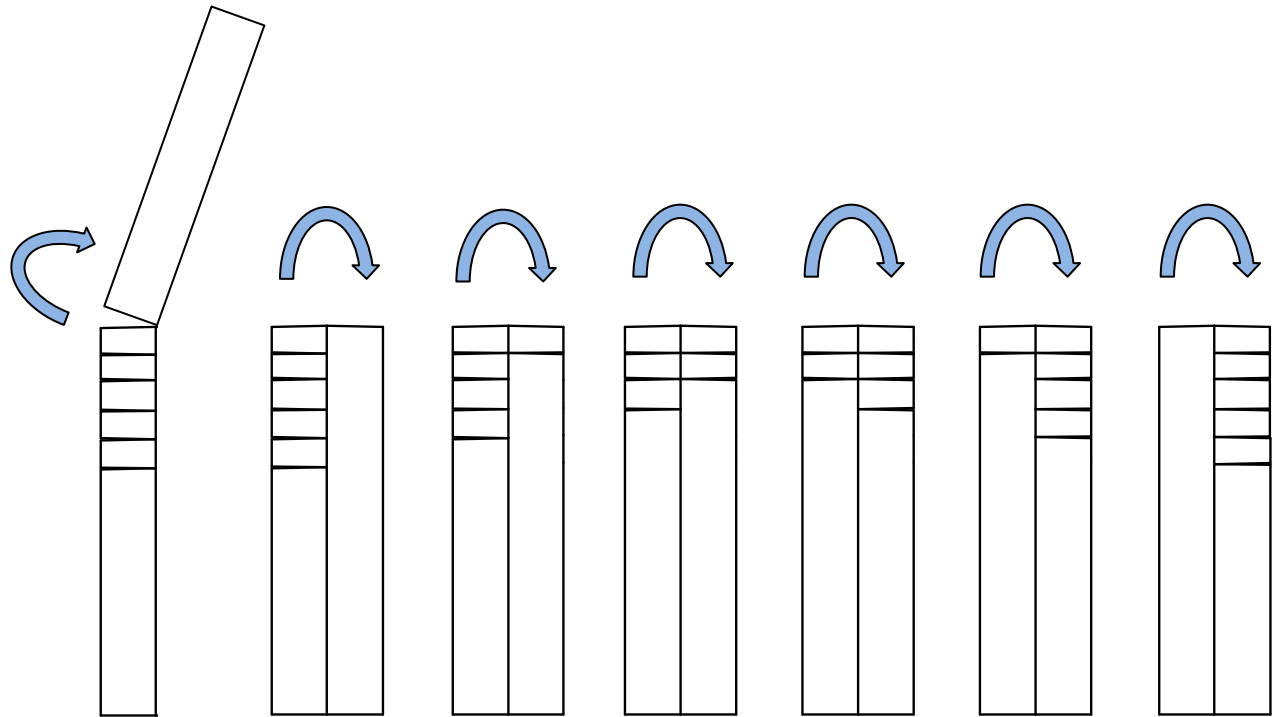
U-Wrap Screens 2 Piece



PET Lite Clip Screens

L & U Wrap – Under Surface Mount

Step 2: Prepare PET screen for installation by opening each groove to relieve material tension and create flexibility for an aesthetic installation.



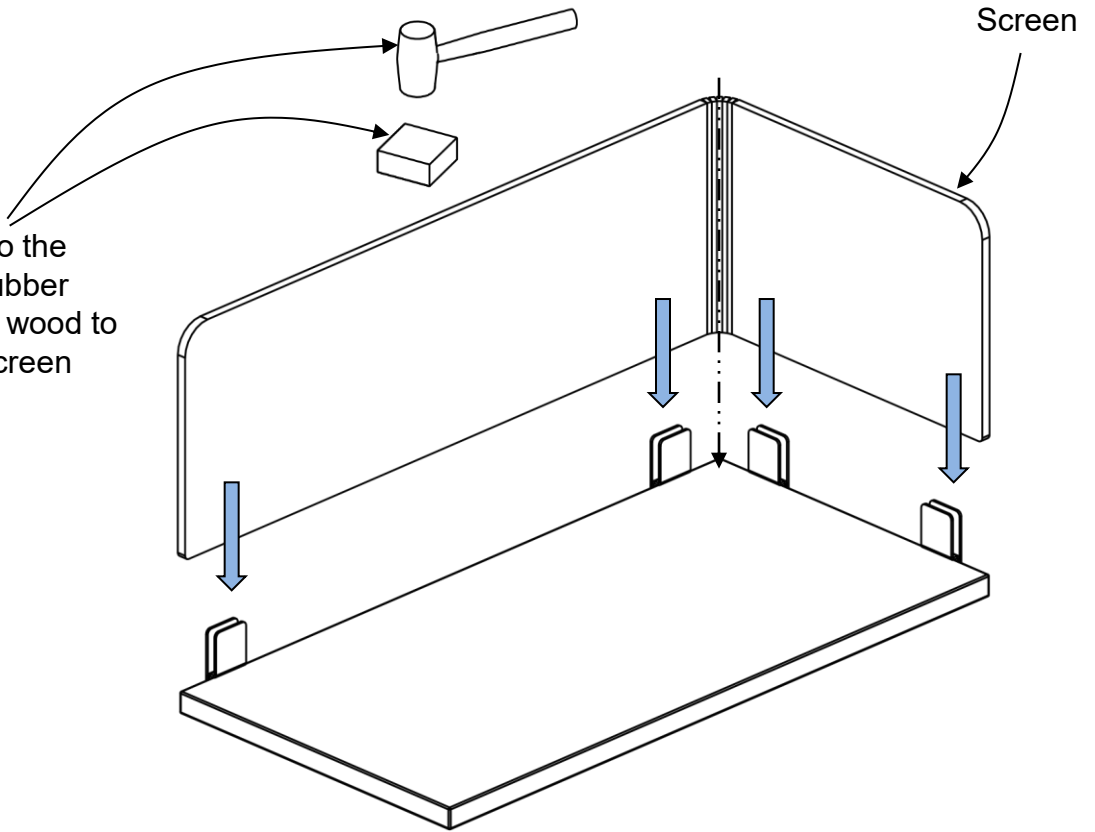
PET Lite Clip Screens

L & U Wrap – Under Surface Mount

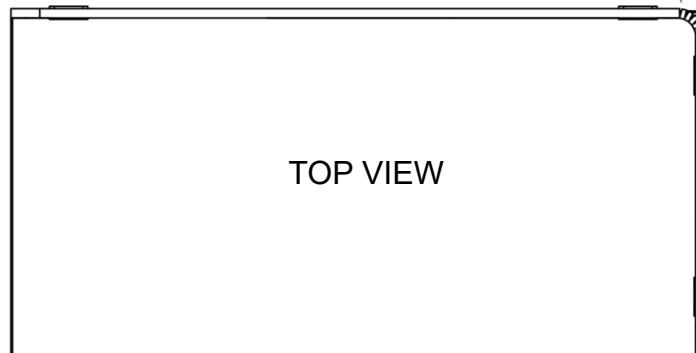
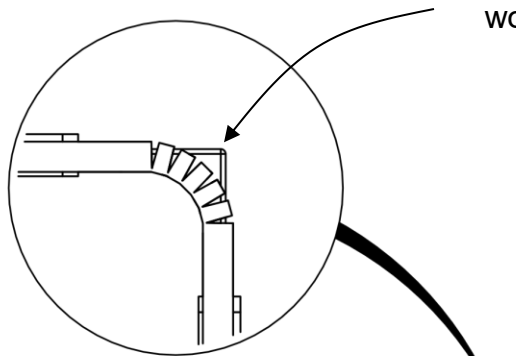
Step 3: Carefully position screen in clips. Use a rubber mallet and a block of wood to gently tap the top of the PET screen until the screen is fully seated at the bottom of the clips.



To prevent damage to the PET screen, use a rubber mallet and a block of wood to gently tap the PET screen into the clips.



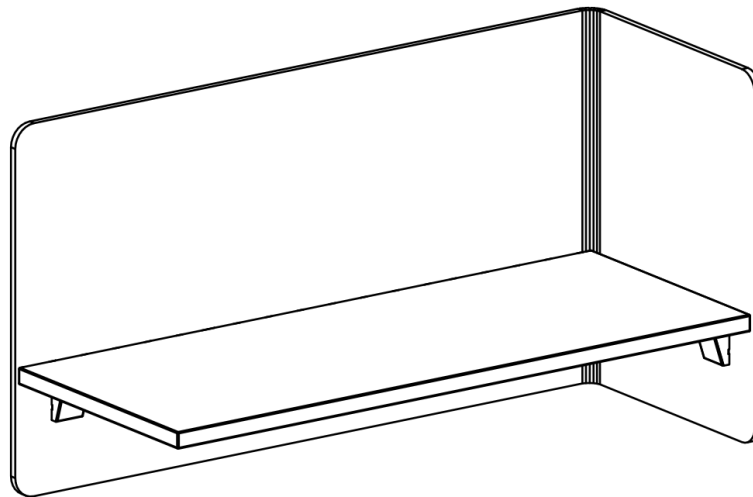
Center screen corner to worksurface corner



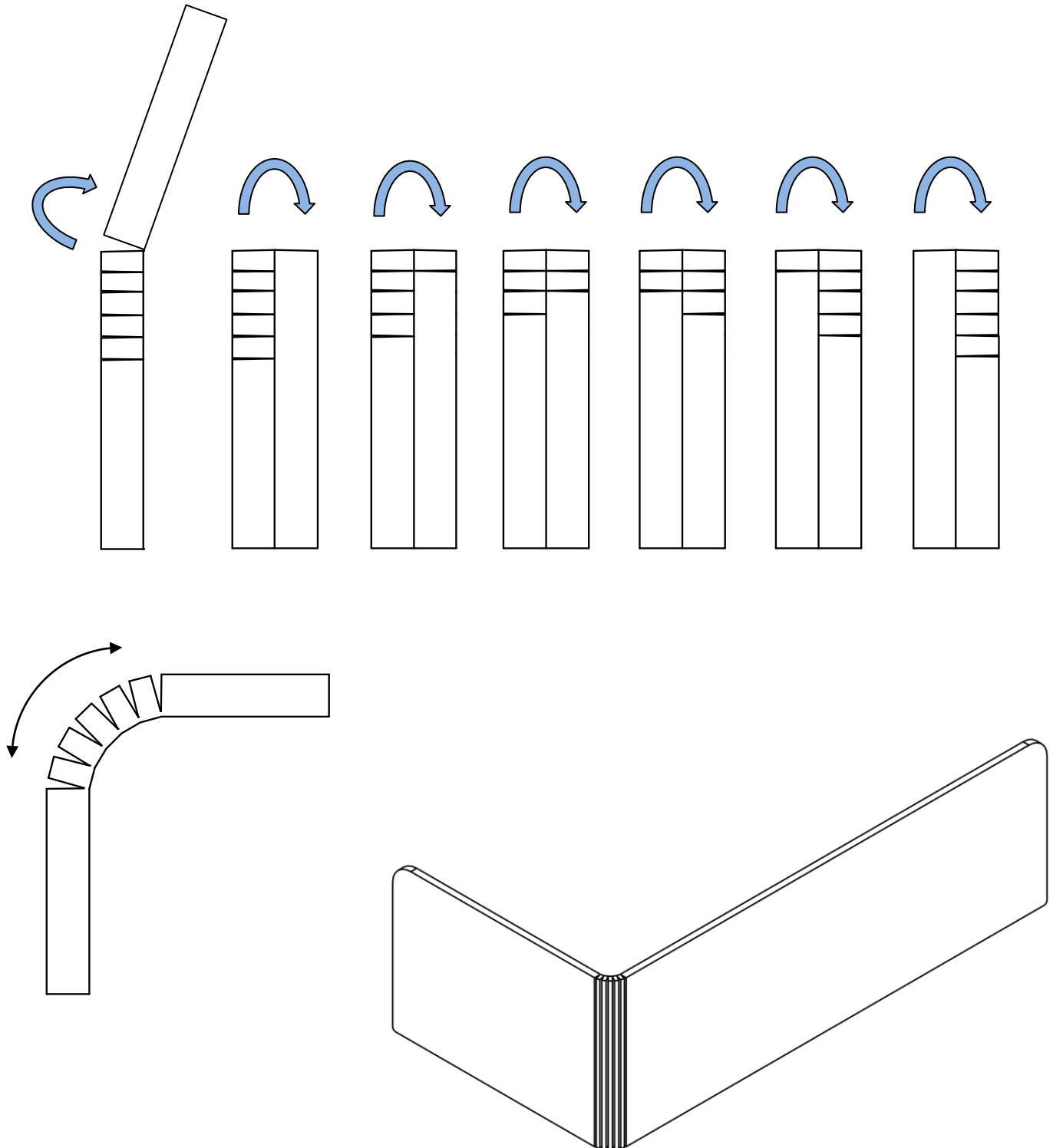
PET Lite Clip Screens

L & U Wrap – Partial Modesty - Under Surface Mount

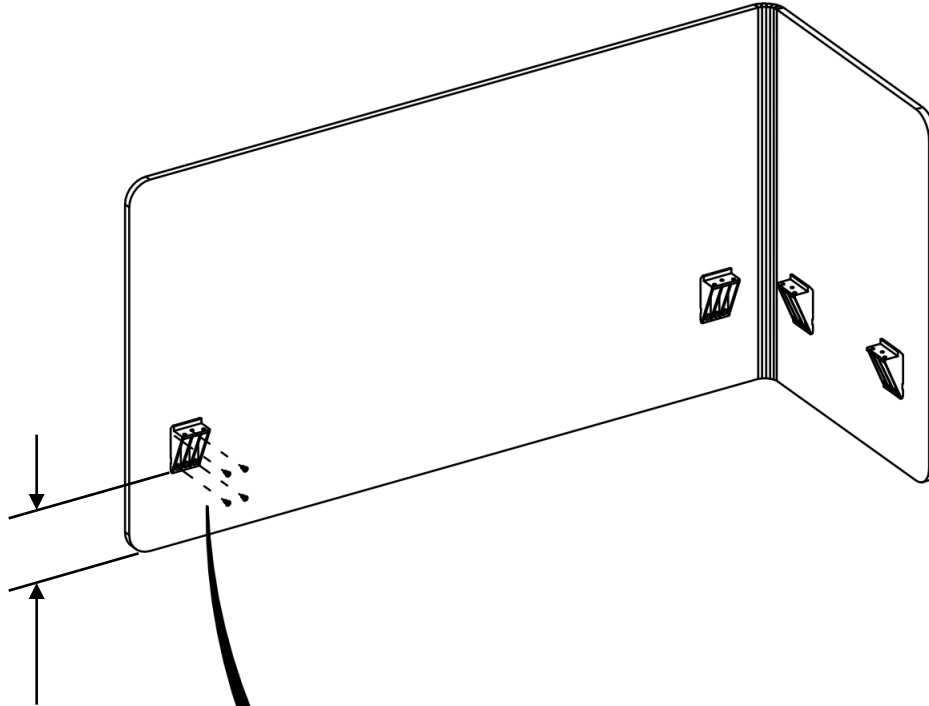
Item	Replacement Part number	Circle Sheet Part Number	Description	Image
P1	A-PETPMBRKTB	RA-PETPMBRKTB	PET Partial Modesty Molded Bracket	
P2	RH-QS0978	RH-QS0978	Flat Head Screw #9 x 7/8" Long	
P3	RH-90033A205	RH-90033A205	Flat Head Screw #8 x 1/2" Long, Black	
P4	A-PETPMCOVER	RA-PETPMCOVER	PET Partial Modesty Cover	



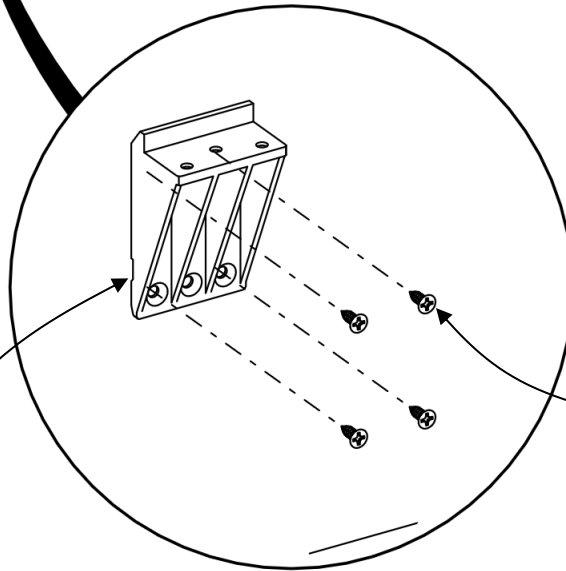
Step 1: Prepare PET screen for installation by opening each groove to relieve material tension and create flexibility for an aesthetic installation.



Step 2: Install partial modesty brackets to the PET screen using #8 x 1/2" long screws



5" is planned dimension for catalog and design images. Dimension can be changed to desired height per customer.



P1

Partial Modesty Bracket
See next page for information on required quantity and location

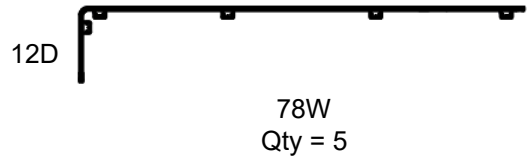
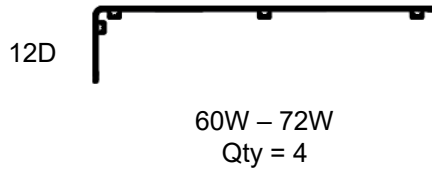
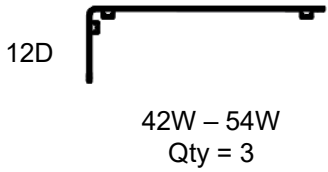
P3

#8 x 1/2" long
Flat head screw, black
#2 Philips drive
4 places per bracket

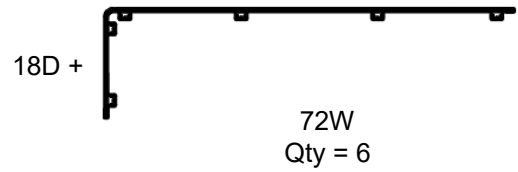
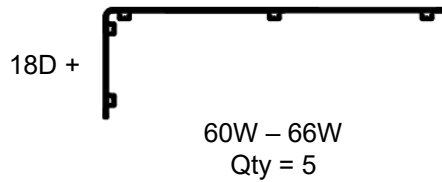
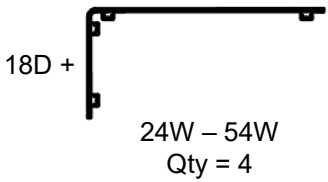


Do not use worksurface screws they are too long and will break through material

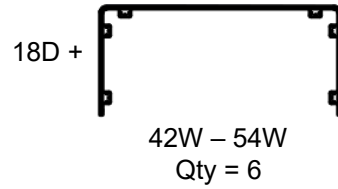
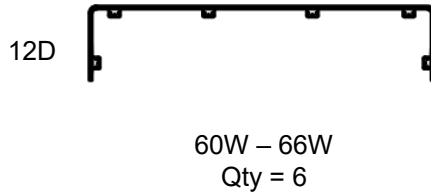
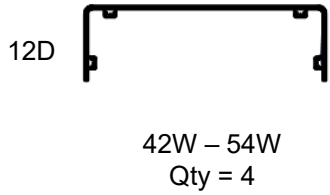
L-Wrap Screens 12D



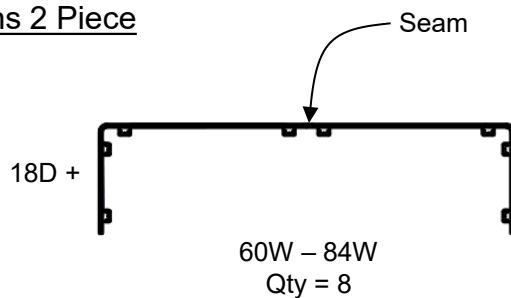
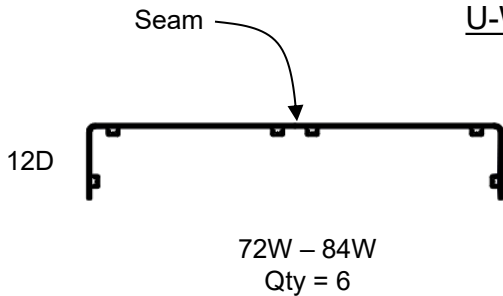
L-Wrap Screens 18D-42D



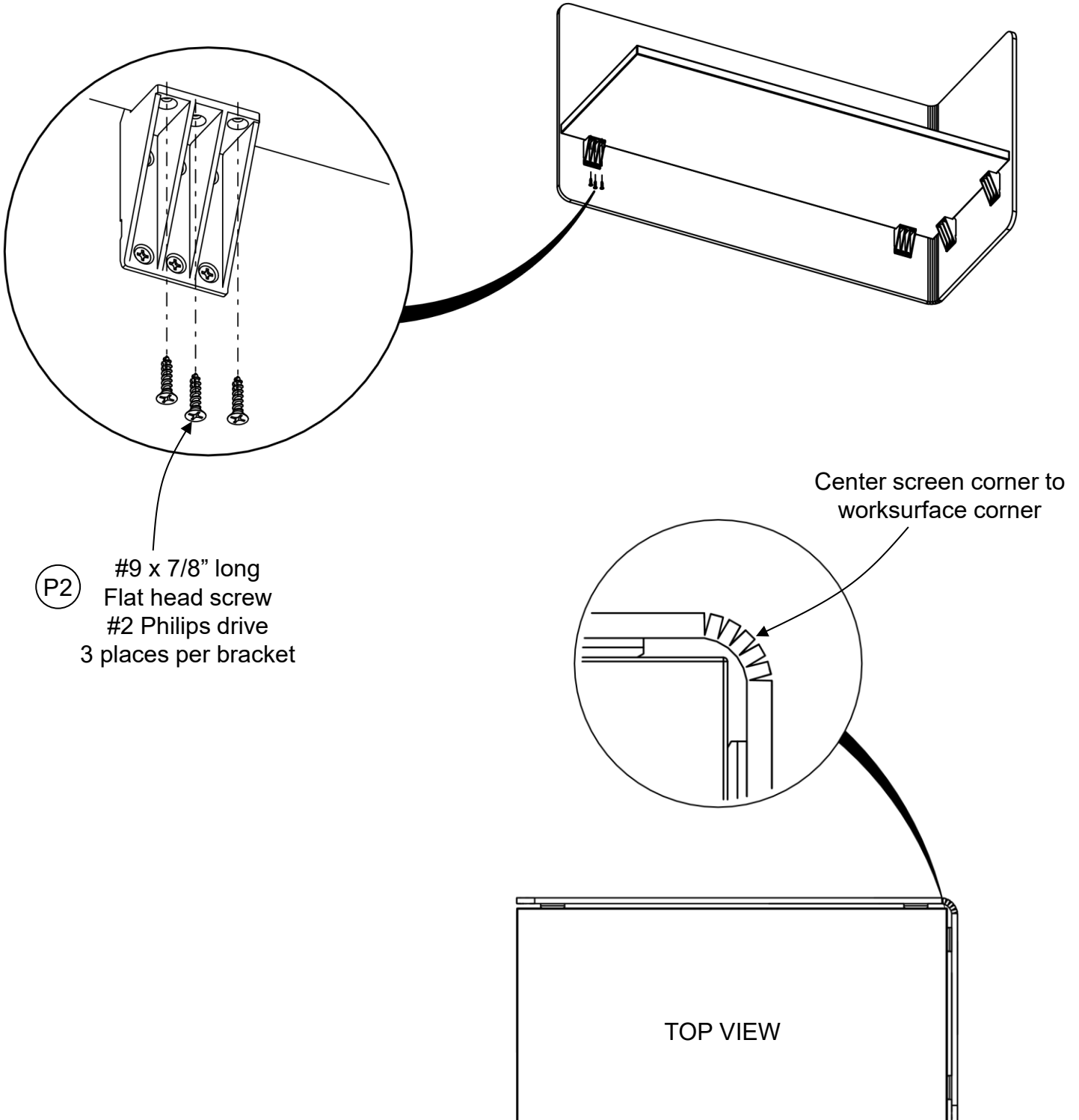
U-Wrap Screens 1 Piece



U-Wrap Screens 2 Piece

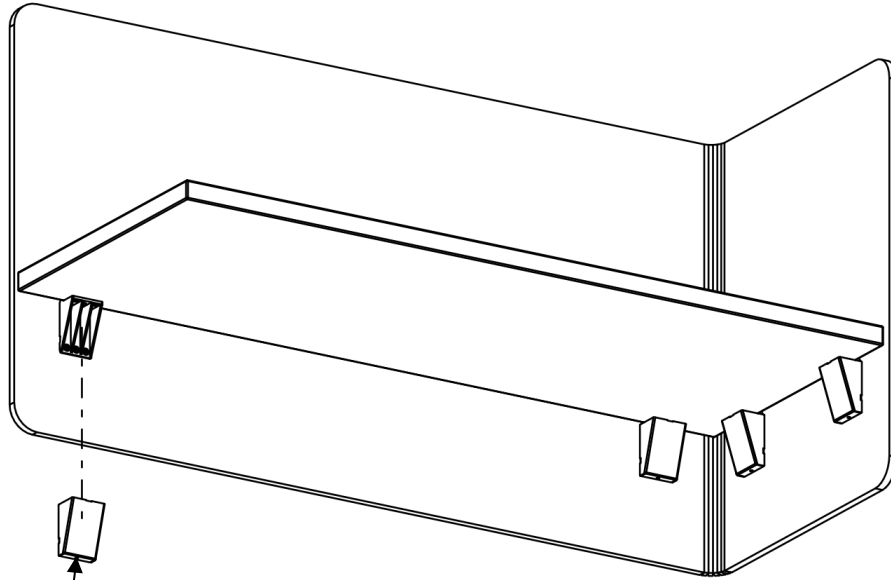


Step 3: Secure worksurface to partial modesty brackets using #9 x 7/8" long screws.



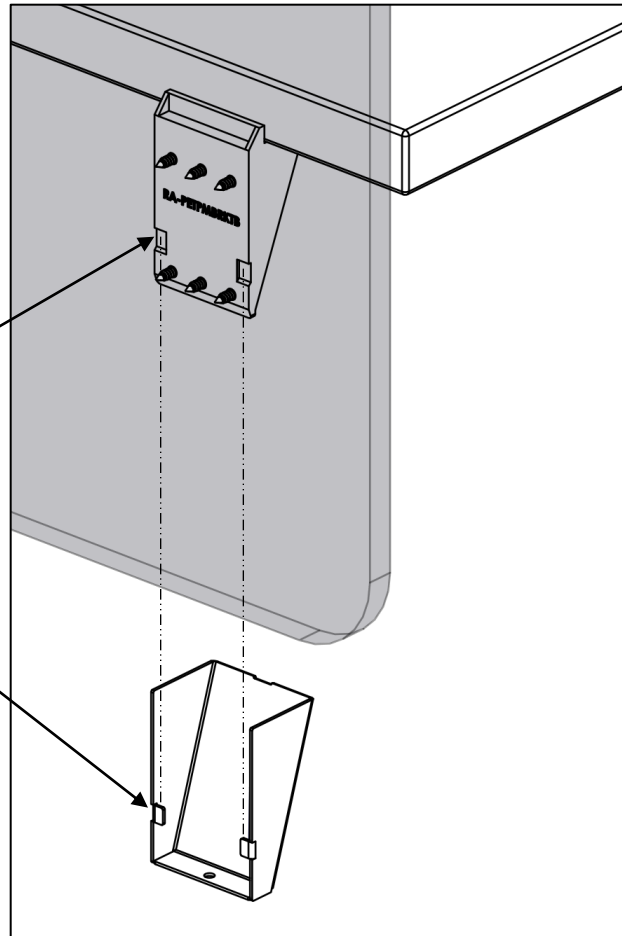
PET Lite Clip Screens

Step 4: Install bracket cover, if applicable.





(P4) Bracket Cover

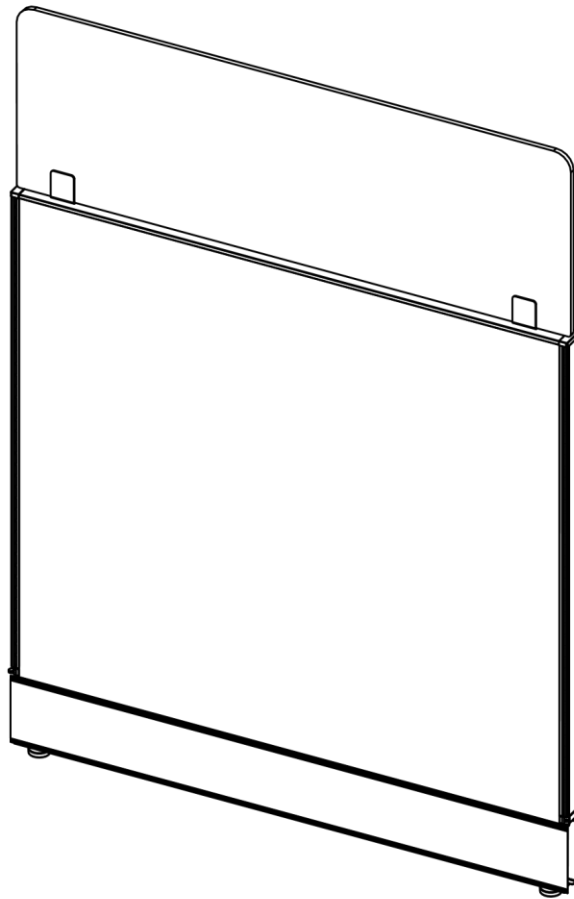
Slide cover up over
bracket until cover tabs
snap into the bracket slots



PET Lite Clip Screens

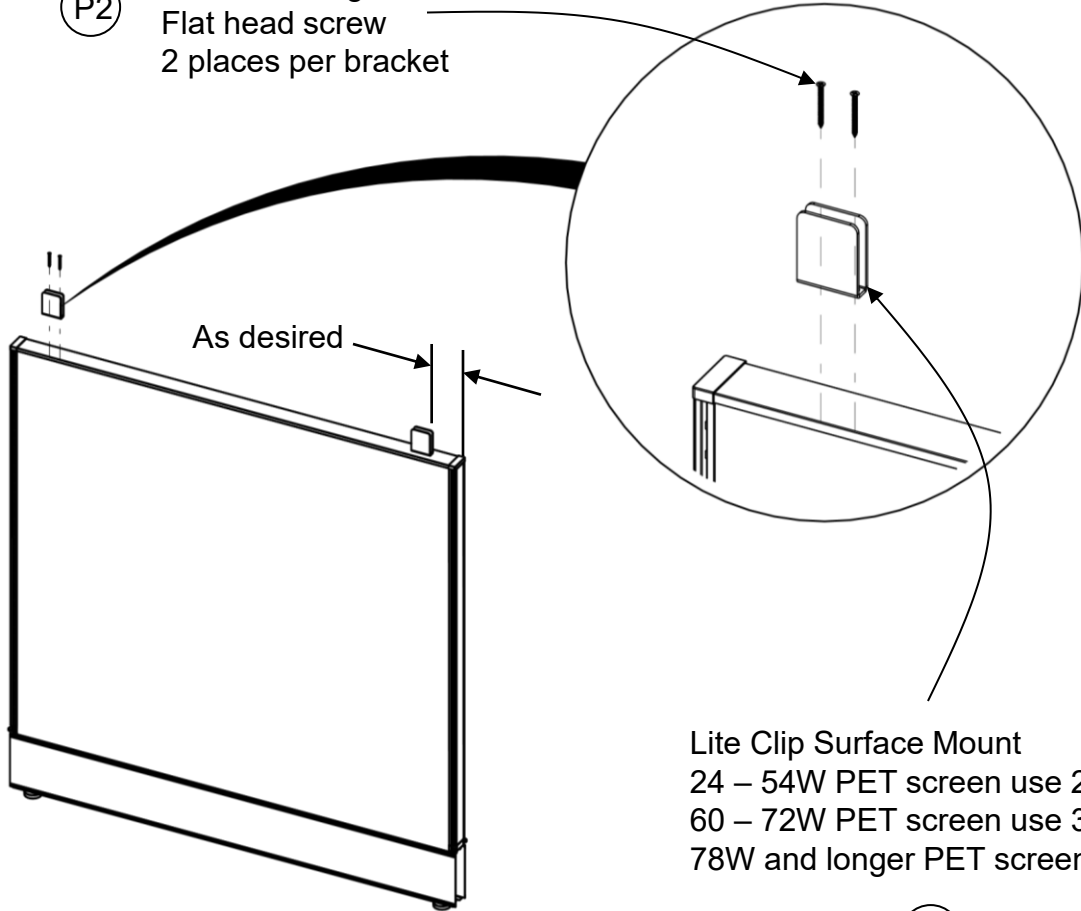
Divi Panel Top Mount

Item	Replacement Part number	Circle Sheet Part Number	Description	Image
P1	A-PETUMT	RA-PETUMT	Lite Clip	
P2	RH-90048A155	RH-90048A155	#6 X 1 1/2" Long Flat Head Screw	



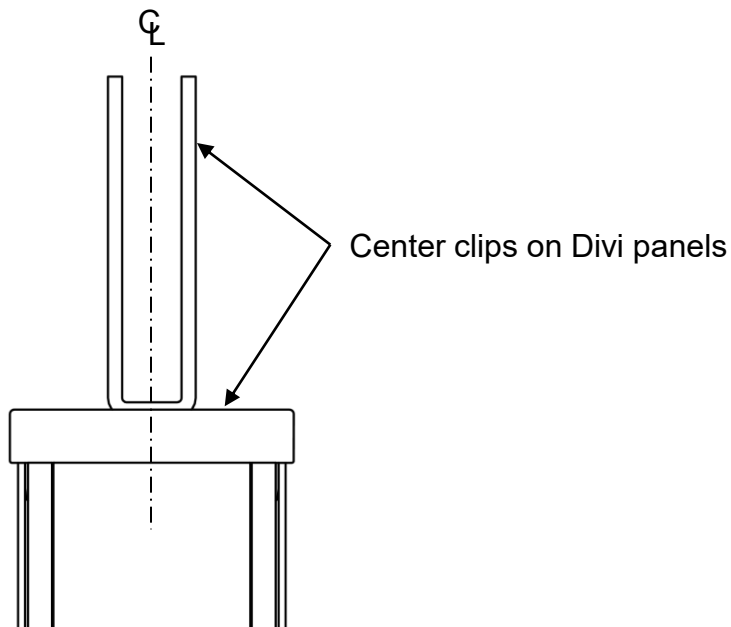
Step 1: Install clips to surface using #6 x 1 1/2" long flat head screws.

(P2) #6 x 1 1/2" long
Flat head screw
2 places per bracket



Lite Clip Surface Mount
24 – 54W PET screen use 2 clips
60 – 72W PET screen use 3 clips
78W and longer PET screen use 4 clips

(P1)



Step 2: Carefully position screen in clips. Use a rubber mallet and a block of wood to gently tap the top of the PET screen until the screen is fully seated at the bottom of the clips.



To prevent damage to the PET screen, use a rubber mallet and a block of wood to gently tap the PET screen into the clips.

