



# PET Lite Clip Screens

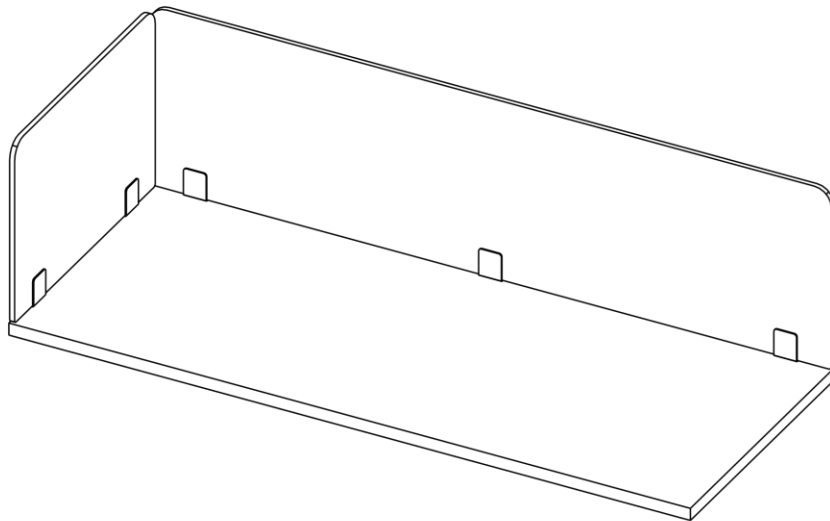
Date	Page No.	Description of change	Name
10/15/2020	1-19	Released	S. Powers
11/17/2020	20-27	Added L and U Wrap instructions	S. Powers
3/19/2021	28-30	Added Divi panel top mount instructions	S. Powers
11/22/2021	22,27	Added pages to clarify clip locations for L &U Wrap	S. Powers
02/28/2023	22,28	2-piece U Wrap screen sizes changed from: 42W – 84W to 60W – 84W	S. Powers

Table of Contents	
Page No.	Screen Installation
2 - 4	Surface Mount Territory and Front/Rear
5-7	Under Surface Mount Territory and Front/Rear
8-13	Oxygen – Under Surface Mount Territory
14-17	Aloft – Under Surface Mount Territory and Front/Rear
18-19	Freestanding
20-24	L & U Wrap – Under Surface Mount
25-29	L & U Wrap – Partial Modesty - Under Surface Mount
30-32	Divi Panel Top Mount

# PET Lite Clip Screens

# Surface Mount Territory and Front/Rear

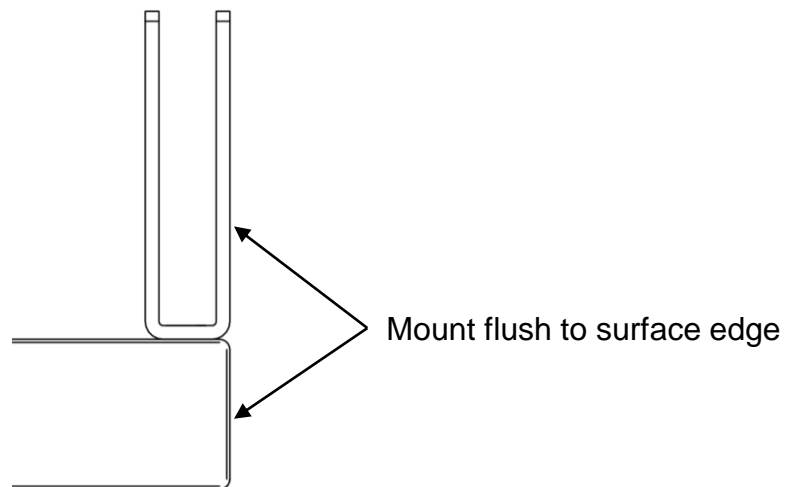
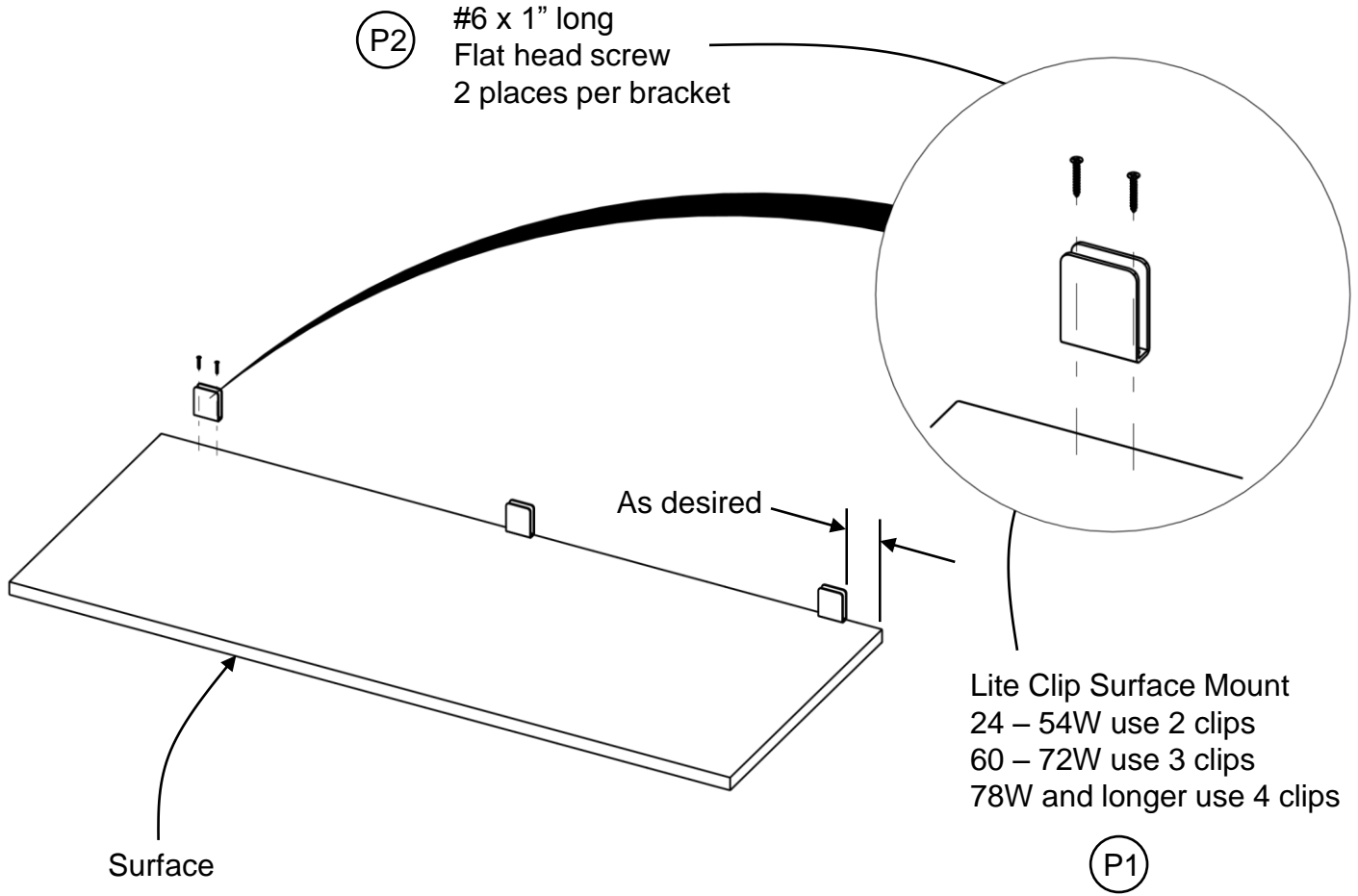
Item	Replacement Part number	Circle Sheet Part Number	Description	Image
P1	A-PETUMT	RA-PETUMT	Lite Clip	
P2	RH-01071946	RH-01071946	#6 X 1" Long Flat Head Screw	



# PET Lite Clip Screens

# Surface Mount Territory and Front/Rear

**Step 1:** Install clips to surface using #6 x 1" long flat head screws.



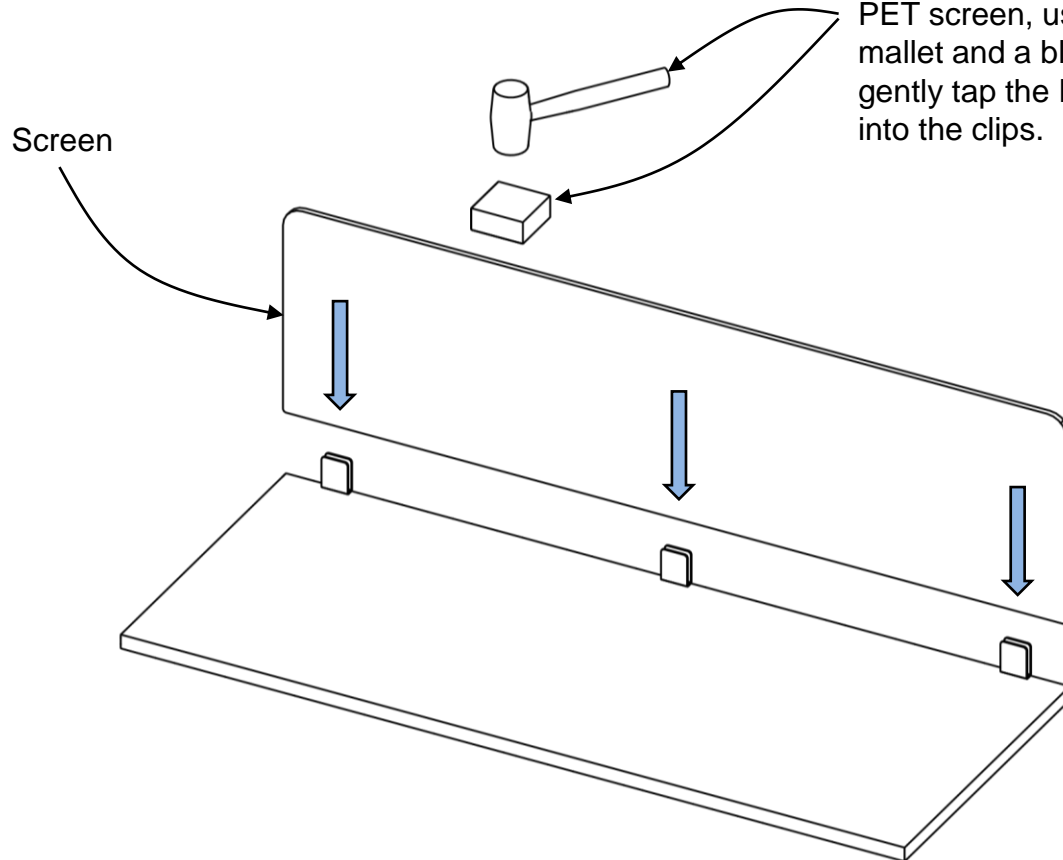
# PET Lite Clip Screens

# Surface Mount Territory and Front/Rear

**Step 2:** Carefully position screen in clips. Use a rubber mallet and a block of wood to gently tap the top of the PET screen until the screen is fully seated at the bottom of the clips.


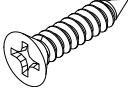


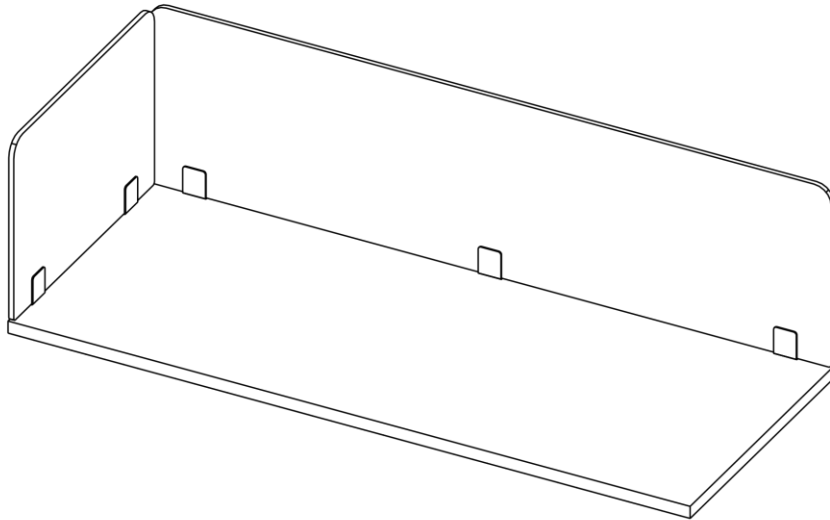
To prevent damage to the PET screen, use a rubber mallet and a block of wood to gently tap the PET screen into the clips.



# PET Lite Clip Screens

# Under Surface Mount Territory and Front/Rear

Item	Replacement Part number	Circle Sheet Part Number	Description	Image
P1	A-RETUMC	RA-RETUMC	Lite Clip Under Surface Mounting Bracket	
P2	RH-QS0978	RH-QS0978	Flat Head Screw #9 x 7/8" Long	



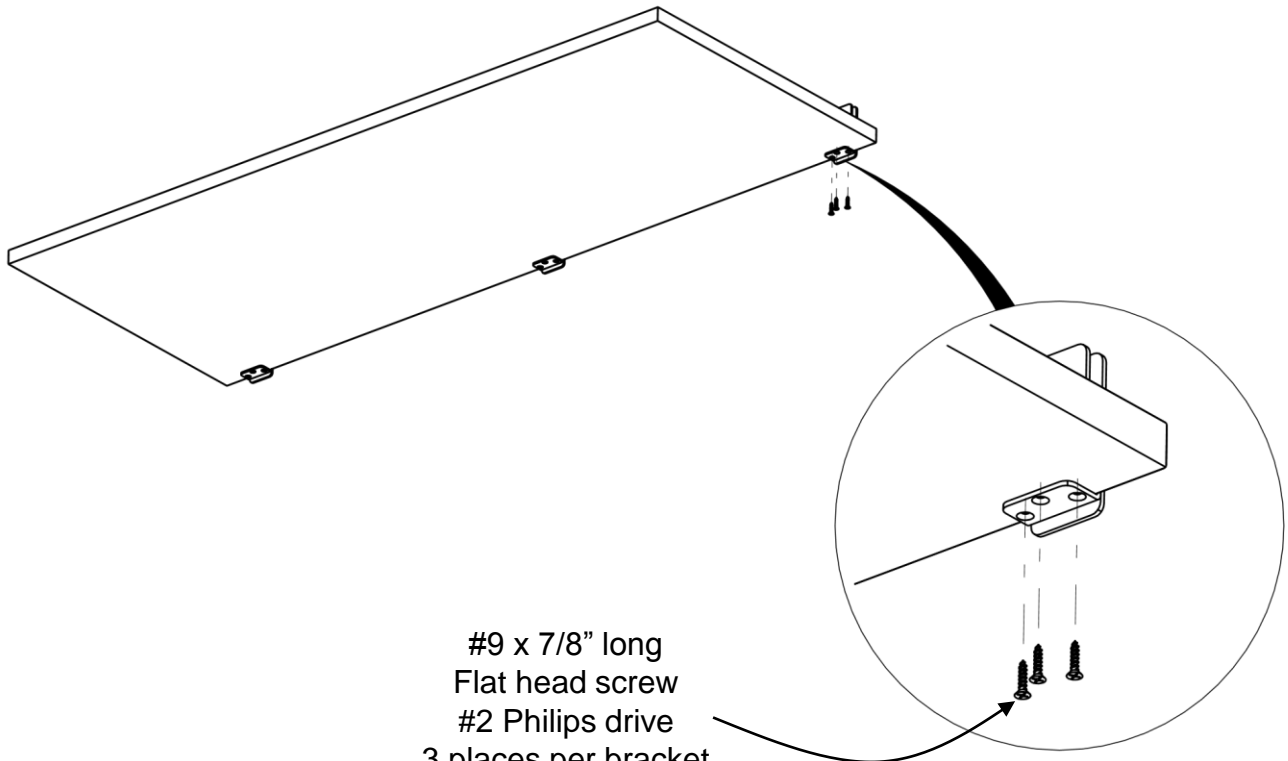
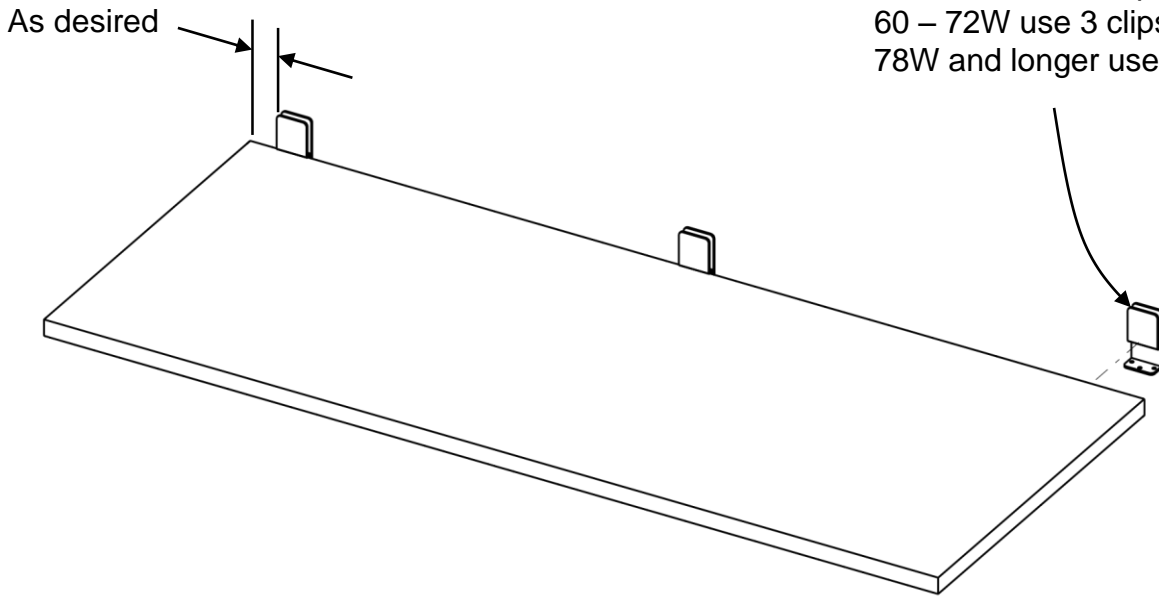
**Step 1:** Install clips to surface using #9 x 7/8" long flat head screws.

Lite Clip Under Surface Mount

24 – 54W use 2 clips

60 – 72W use 3 clips

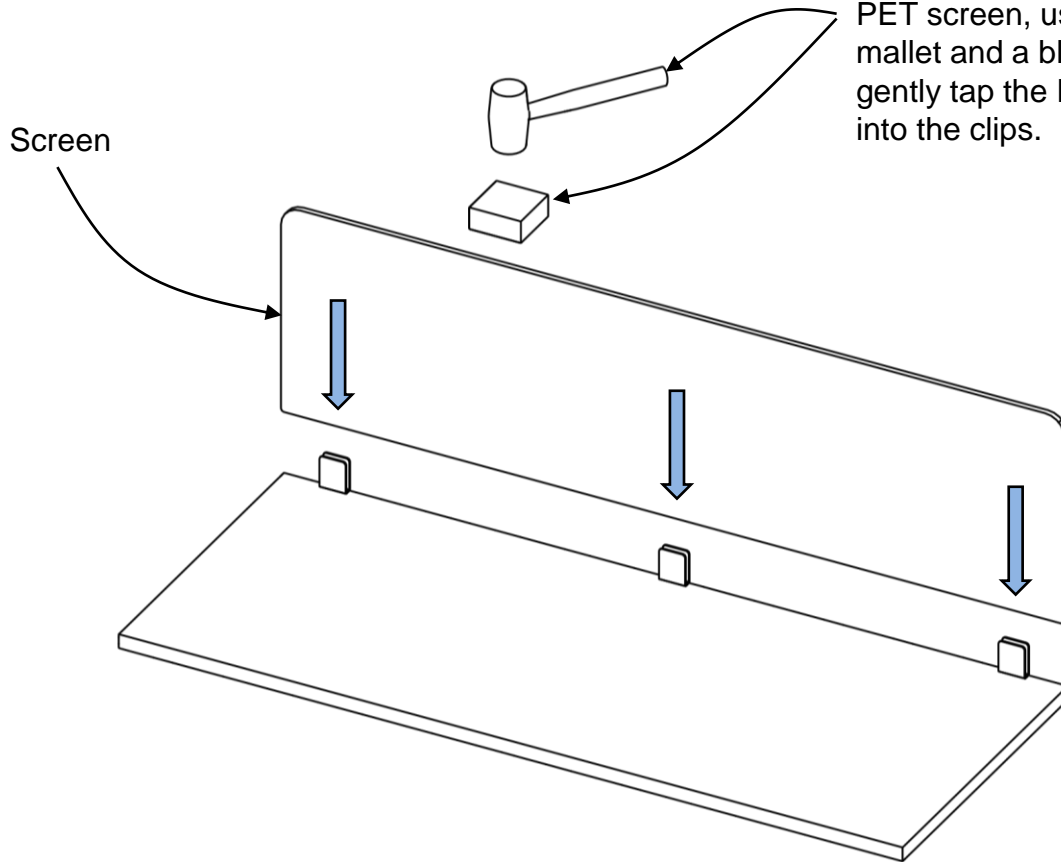
78W and longer use 4 clips



**Step 2:** Carefully position screen in clips. Use a rubber mallet and a block of wood to gently tap the top of the PET screen until the screen is fully seated at the bottom of the clips.

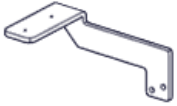
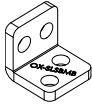
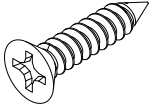
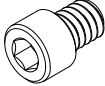






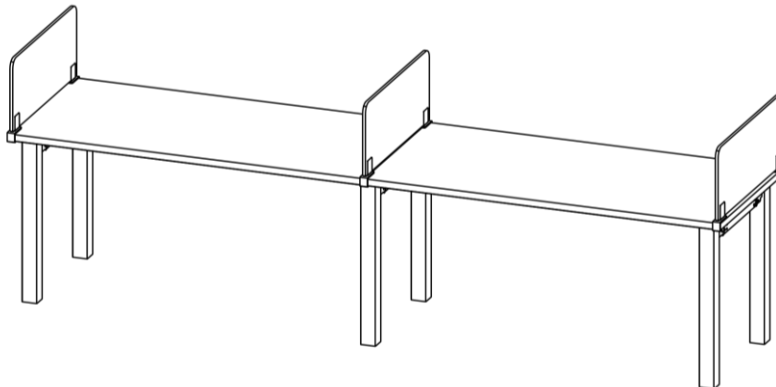
To prevent damage to the PET screen, use a rubber mallet and a block of wood to gently tap the PET screen into the clips.



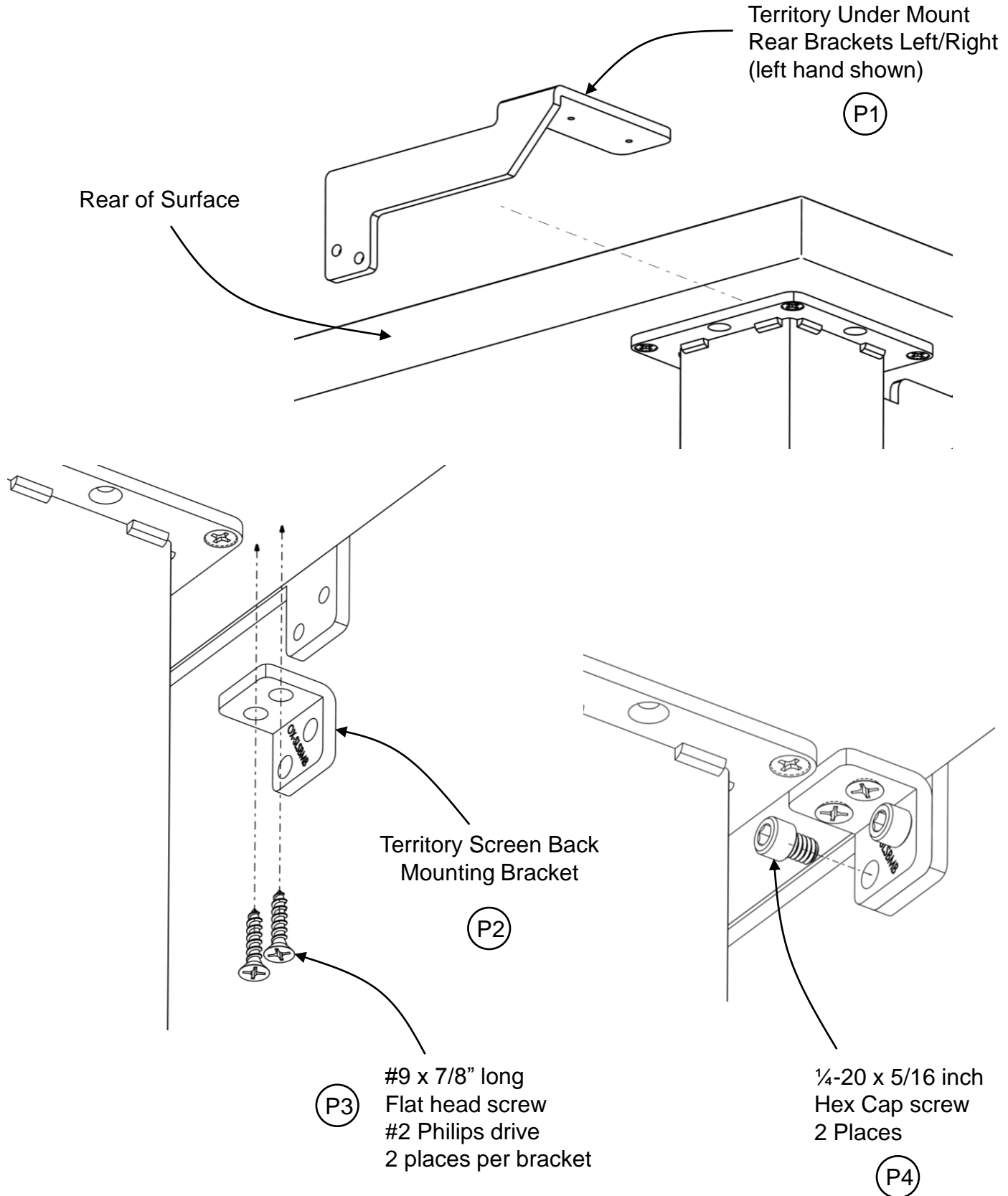
# PET Lite Clip Screens

# Oxygen- Under Surface Mount Territory

Item	Replacement Part number	Circle Sheet Part Number	Description	Image
P1	A-PETUMCR (right) A-PETUMCL (left)	RA-PETUMCR (right) RA-PETUMCL (left)	Territory Under Mount Rear Bracket Left/Right	
P2	OX-SLSBMB	OX-SLSBMB	Territory Screen Back Mounting Bracket	
P3	RH-QS0978	RH-QS0978	Flat Head Screw #9 x 7/8" Long	
P4	RH-SHB1420516BI	RH-SHB1420516BI	Hex Cap Screw 1/4-20 x 5/16" long	
P5	A-PETUMCF	RA-PETUMCF	Territory Under Mount Front Bracket	
P6	A-PETUMT	RA-PETUMT	Lite Clip	
P7	RH-90273A144	RH-90273A144	#6-32 X 1/4" long Flat Head Screw	
P8	A-PETUMCC	RA-PETUMCC	Territory Under Mount Rear Center Bracket	



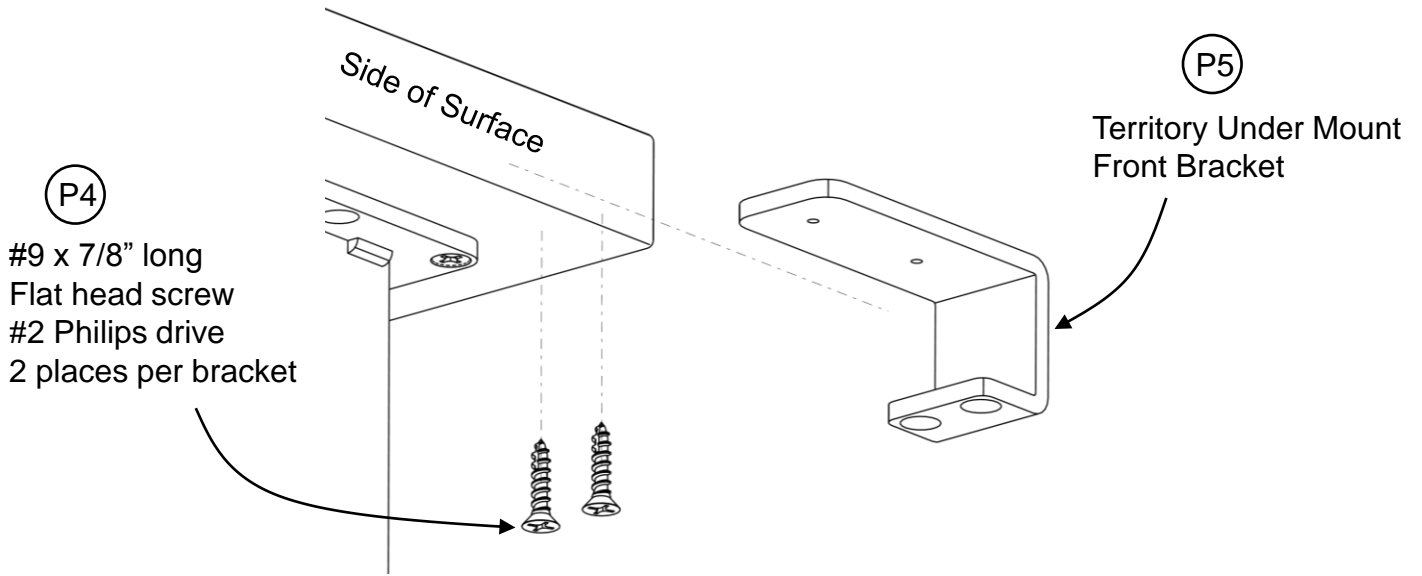
**Step 1:** Install rear under mount brackets.



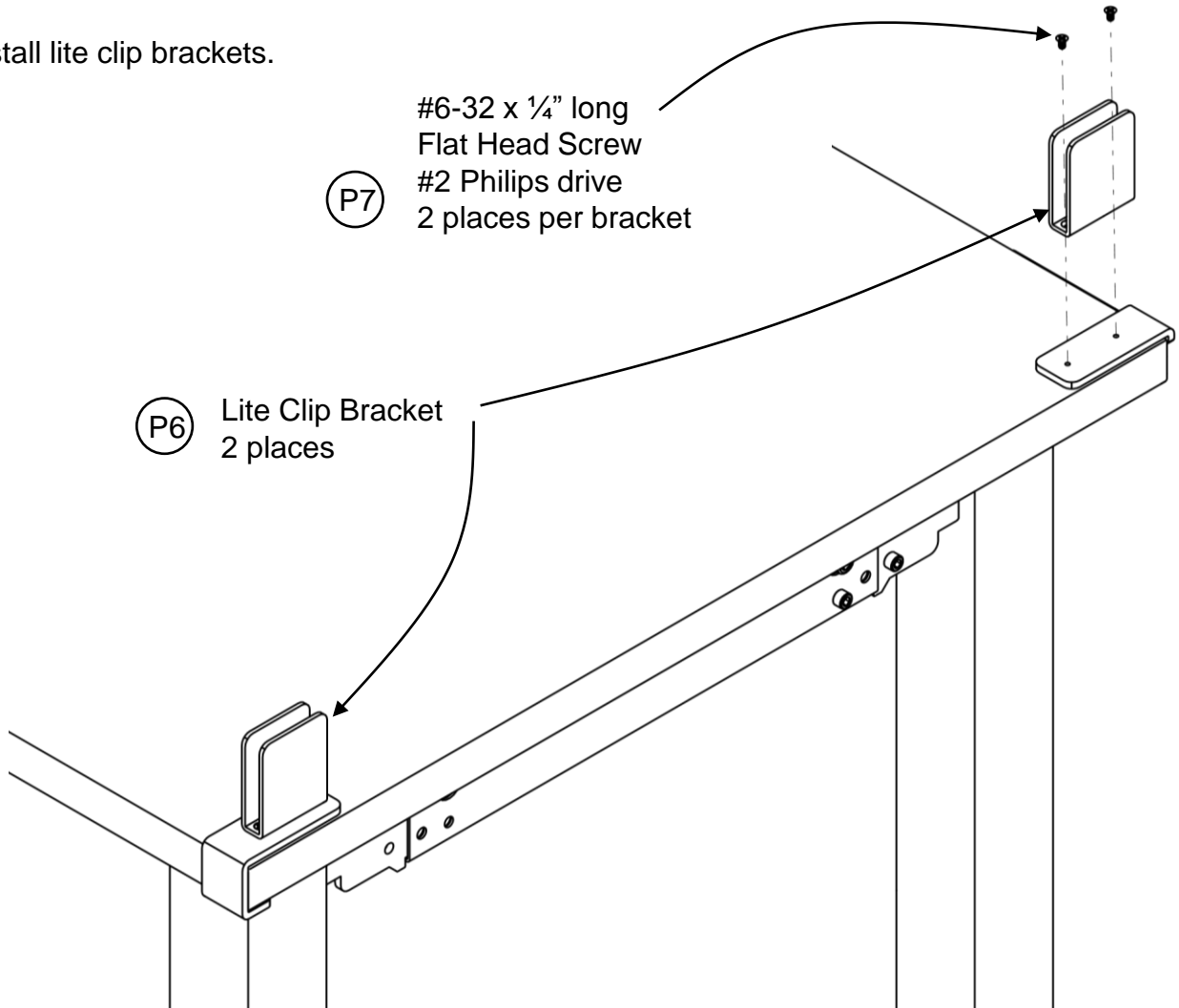
# PET Lite Clip Screens

# Oxygen- Under Surface Mount Territory - End

**Step 2:** Install front under mount brackets.

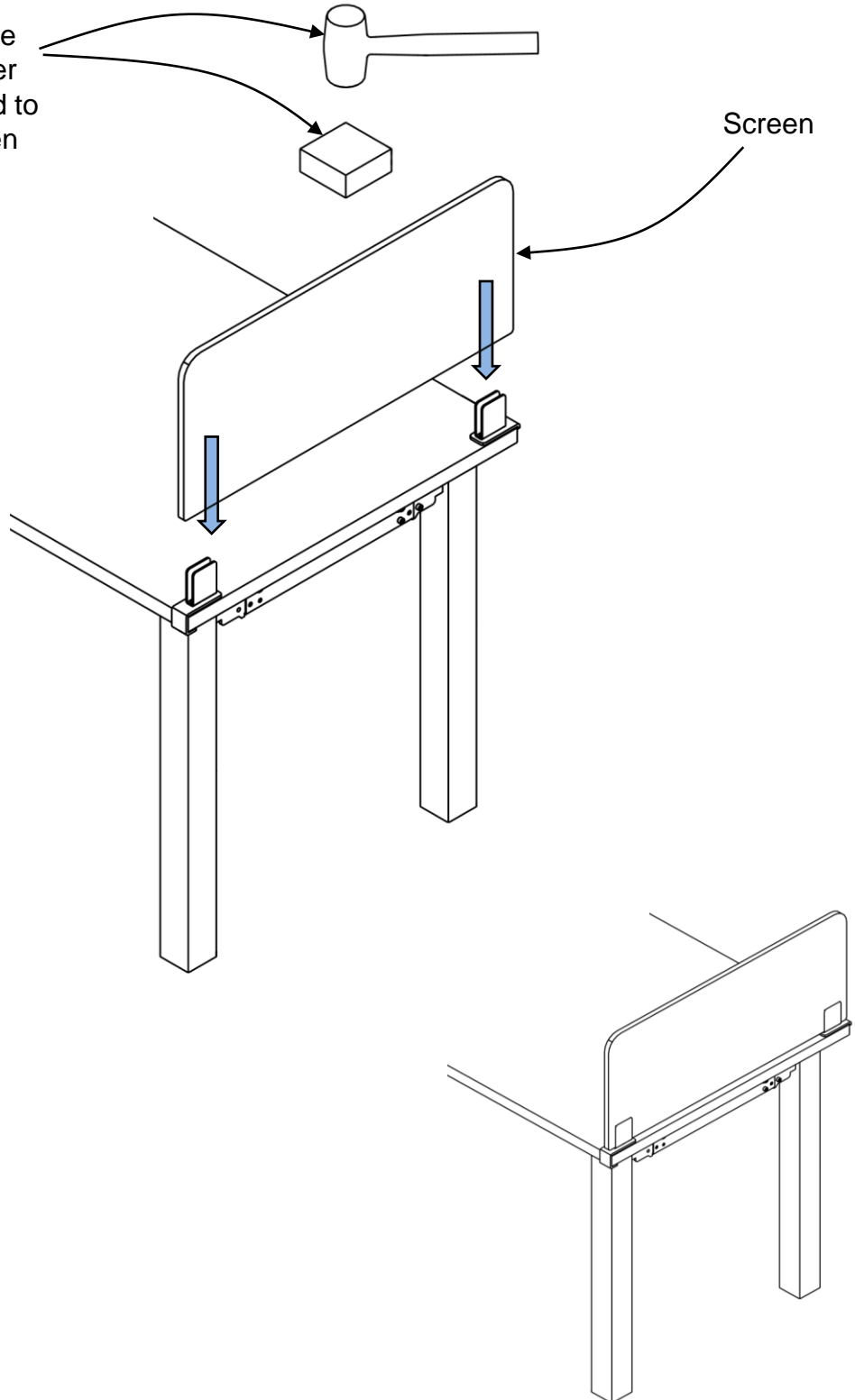


**Step 3:** Install lite clip brackets.



**Step 4:** Carefully position screen in clips. Use a rubber mallet and a block of wood to gently tap the top of the PET screen until the screen is fully seated at the bottom of the clips.

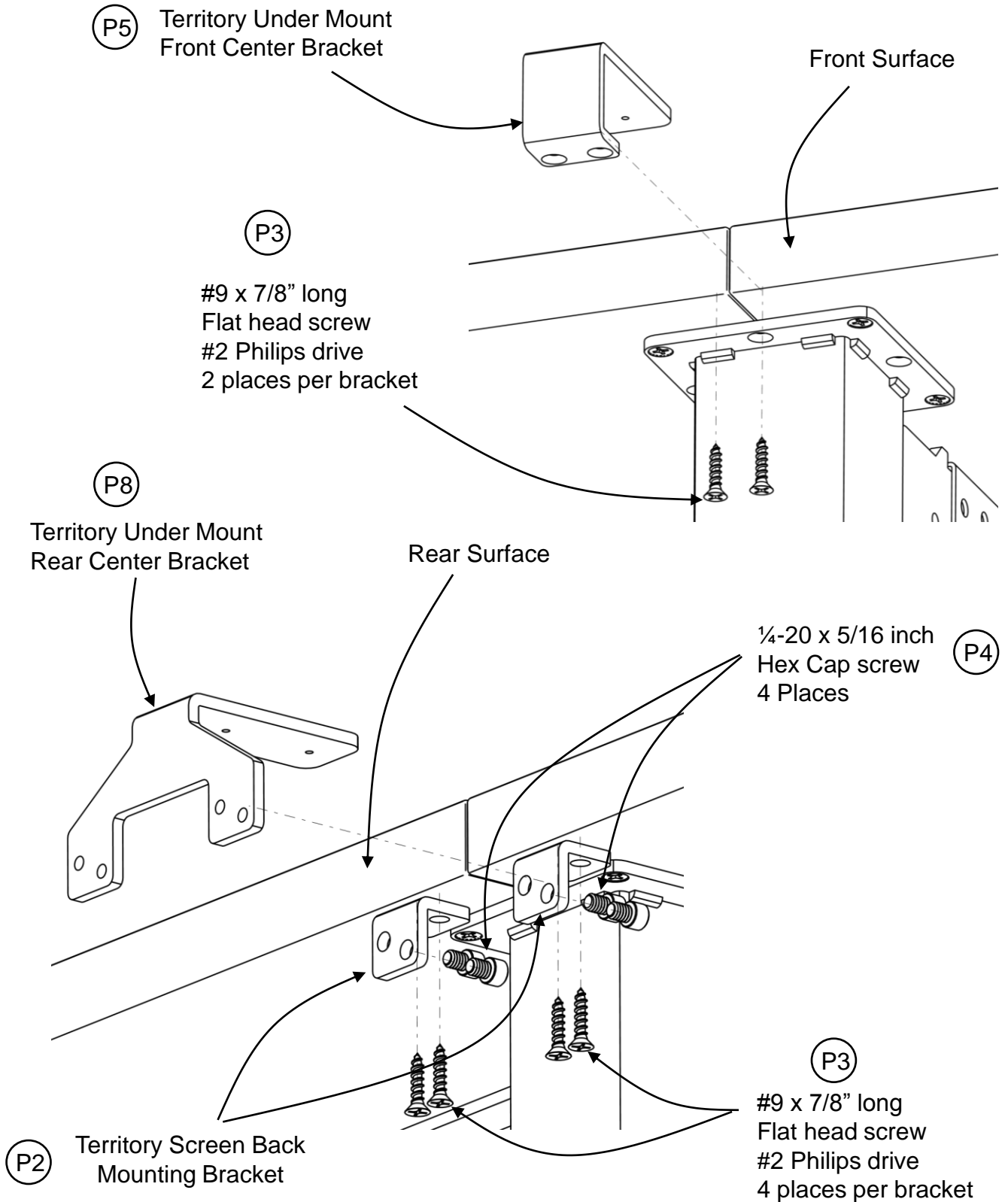
To prevent damage to the PET screen, use a rubber mallet and a block of wood to gently tap the PET screen into the clips.



# PET Lite Clip Screens

# Oxygen- Under Surface Mount Territory - Shared

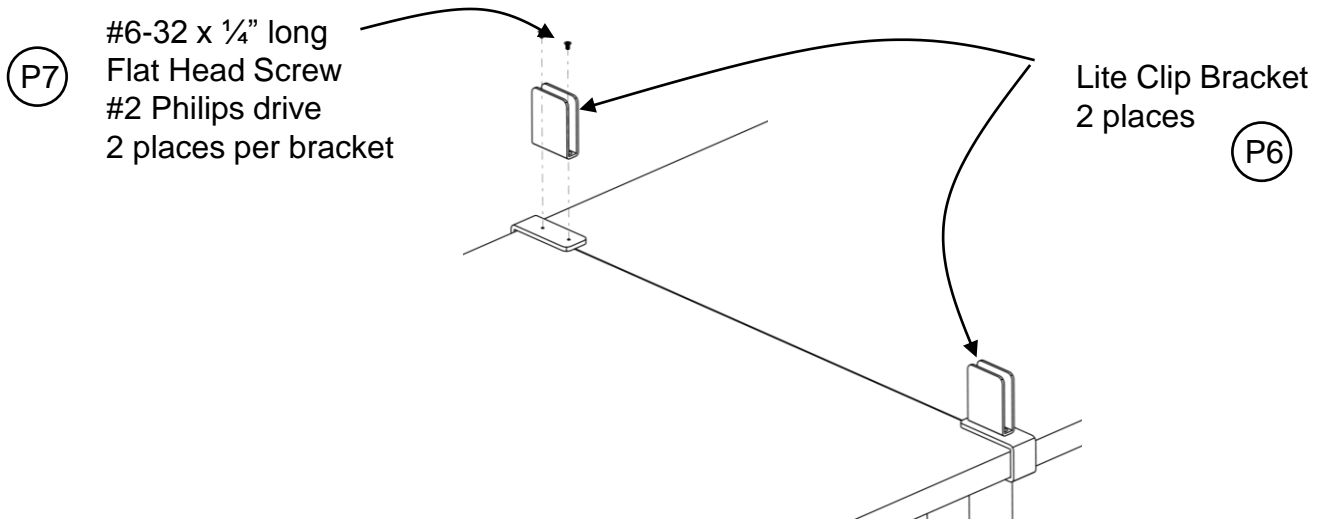
**Step 1:** Install front and rear under mount brackets.



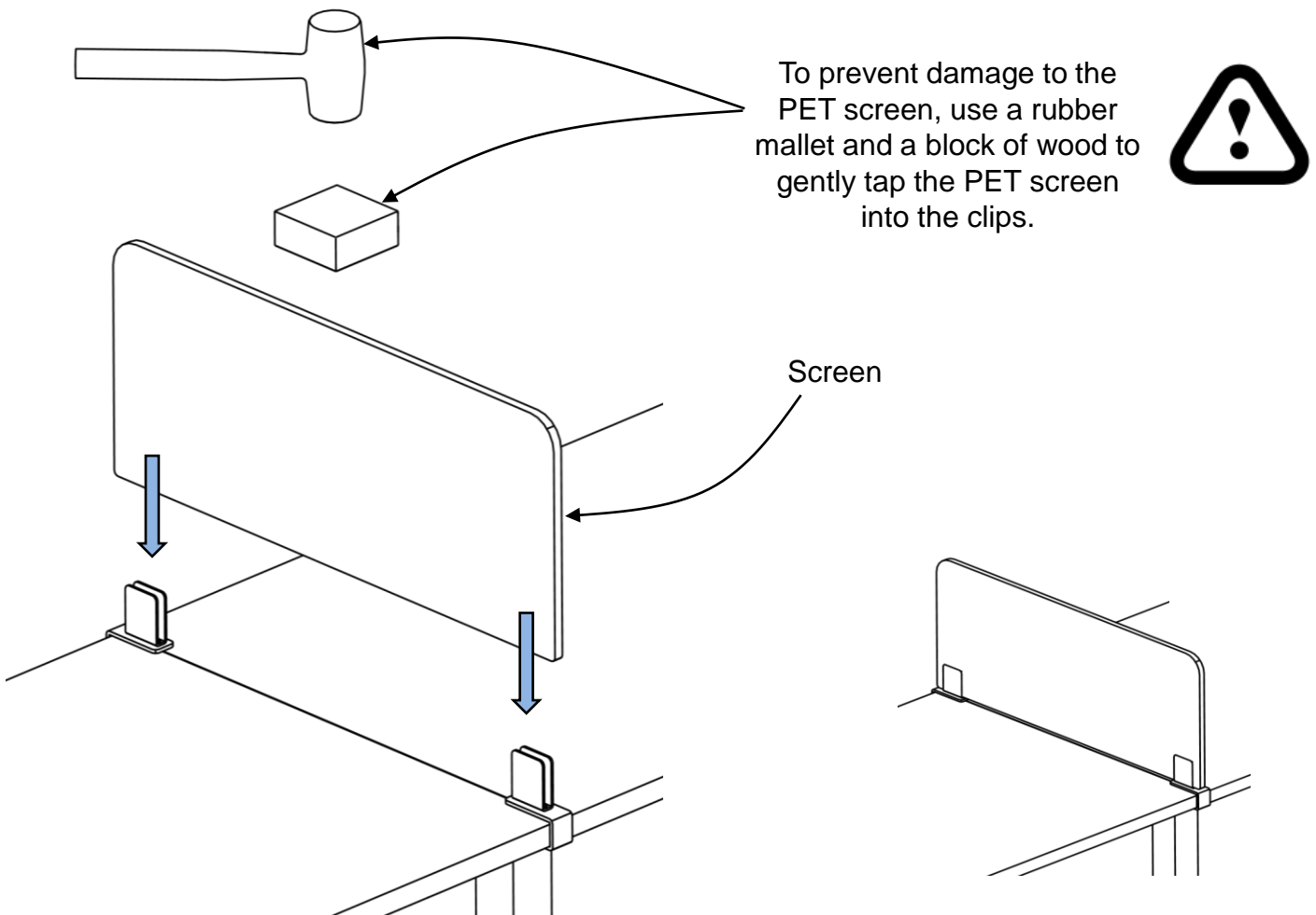
# PET Lite Clip Screens

# Oxygen- Under Surface Mount Territory - Shared

**Step 2:** Install lite clip brackets.


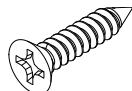





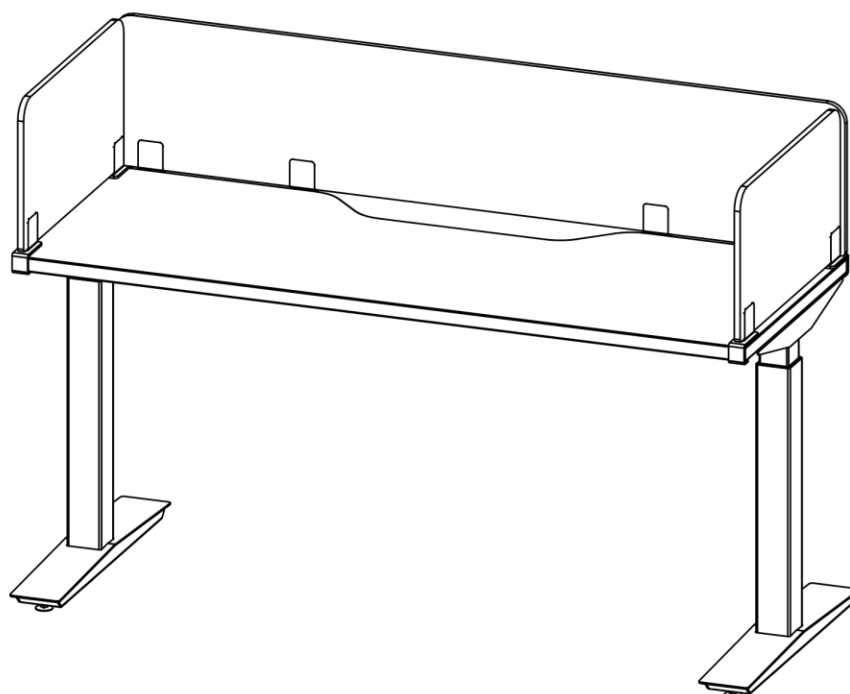
**Step 3:** Carefully position screen in clips. Use a rubber mallet and a block of wood to gently tap the top of the PET screen until the screen is fully seated at the bottom of the clips.



# PET Lite Clip Screens

# Aloft - Under Surface Mount Territory and Rear/Front

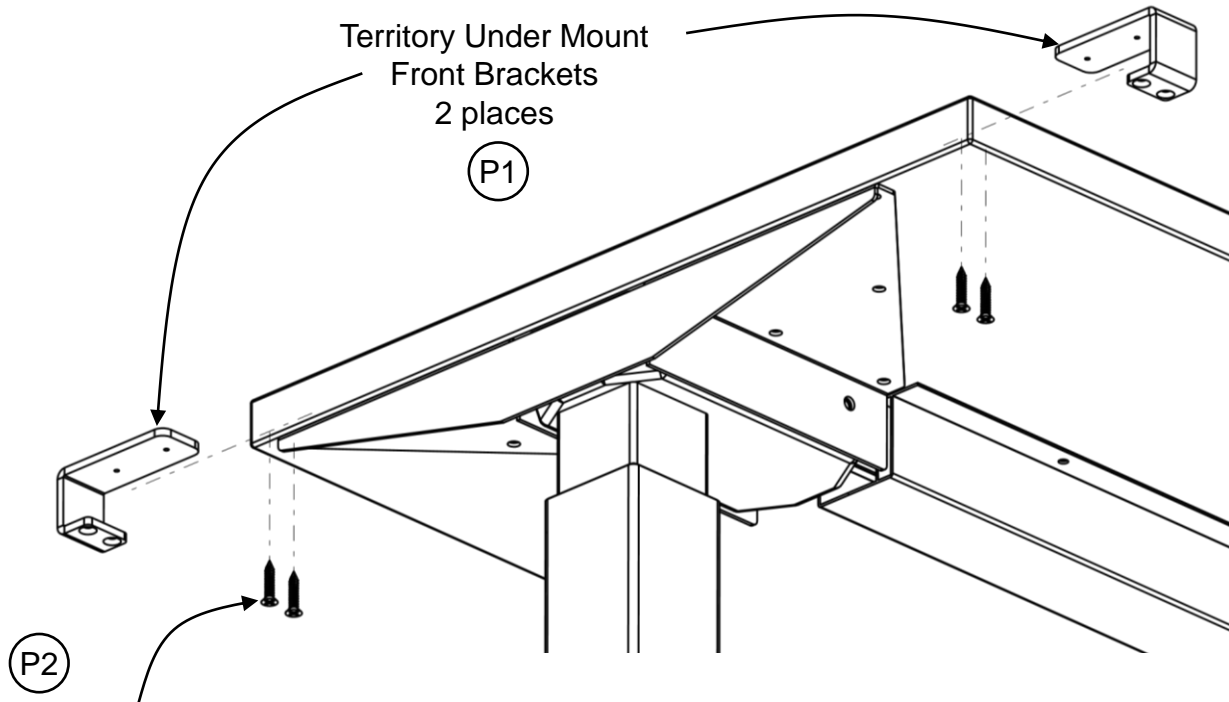
Item	Replacement Part number	Circle Sheet Part Number	Description	Image
P1	A-PETUMCF	RA-PETUMCF	Territory Under Mount Front Bracket	
P2	RH-QS0978	RH-QS0978	Flat Head Screw #9 x 7/8" Long	
P3	A-PETUMT	RA-PETUMT	Lite Clip	
P4	RH-90273A144	RH-90273A144	#6-32 X 1/4" long Flat Head Screw	
P5	A-RETUMC	RA-RETUMC	Lite Clip Under Surface Mounting Bracket	



# PET Lite Clip Screens

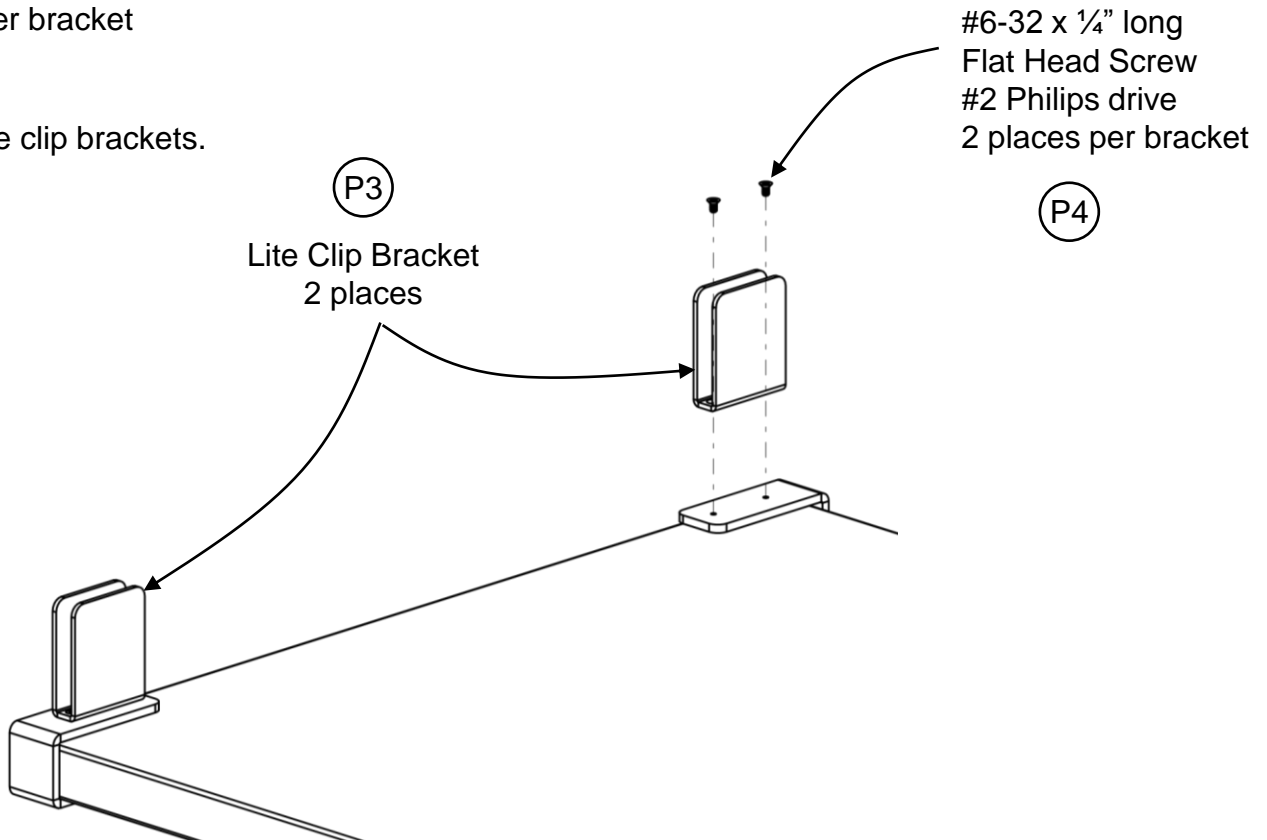
# Aloft - Under Surface Mount Territory

**Step 1:** Install two territory under mount brackets.

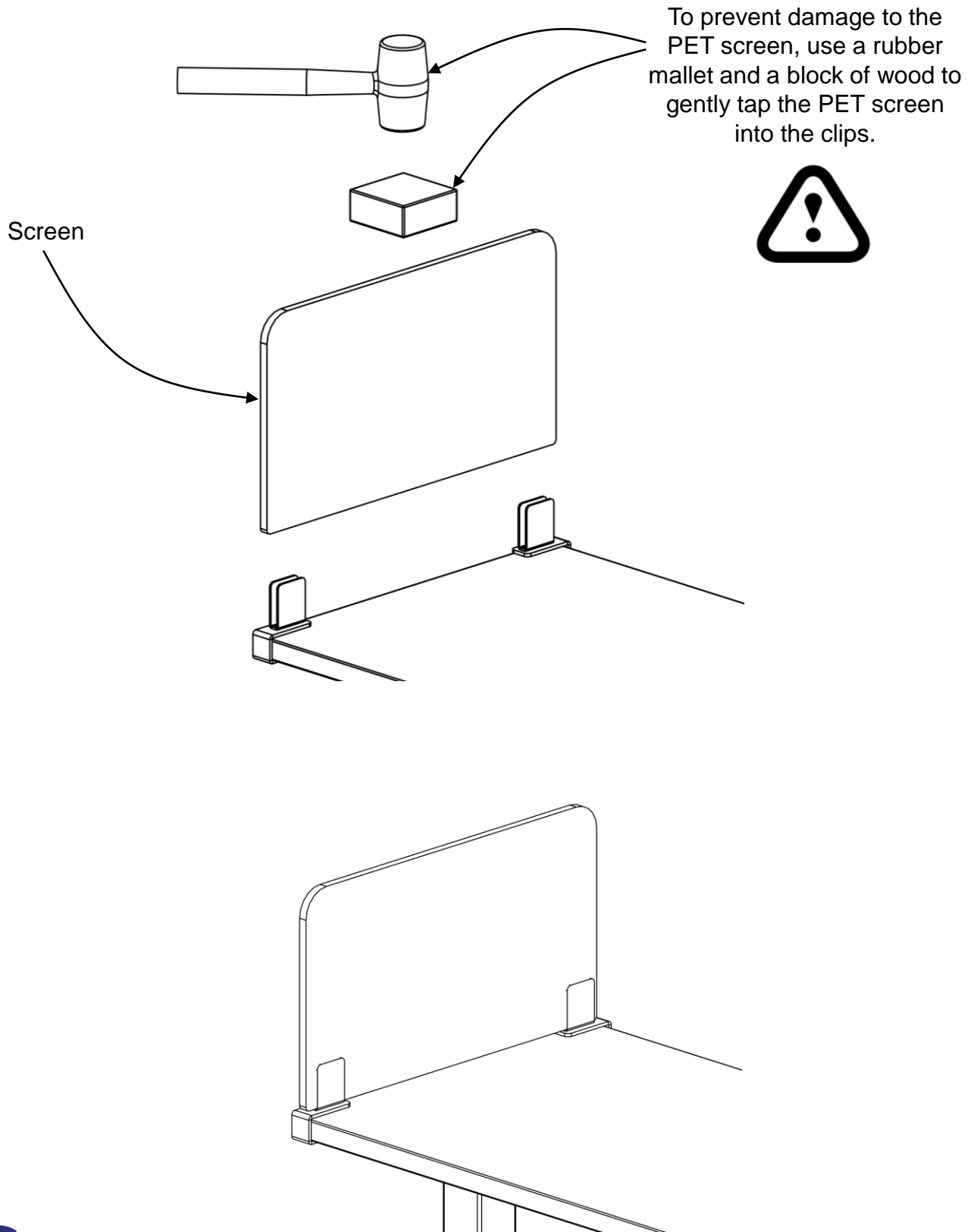


#9 x 7/8" long  
Flat head screw  
#2 Philips drive  
2 places per bracket

**Step 2:** Install lite clip brackets.



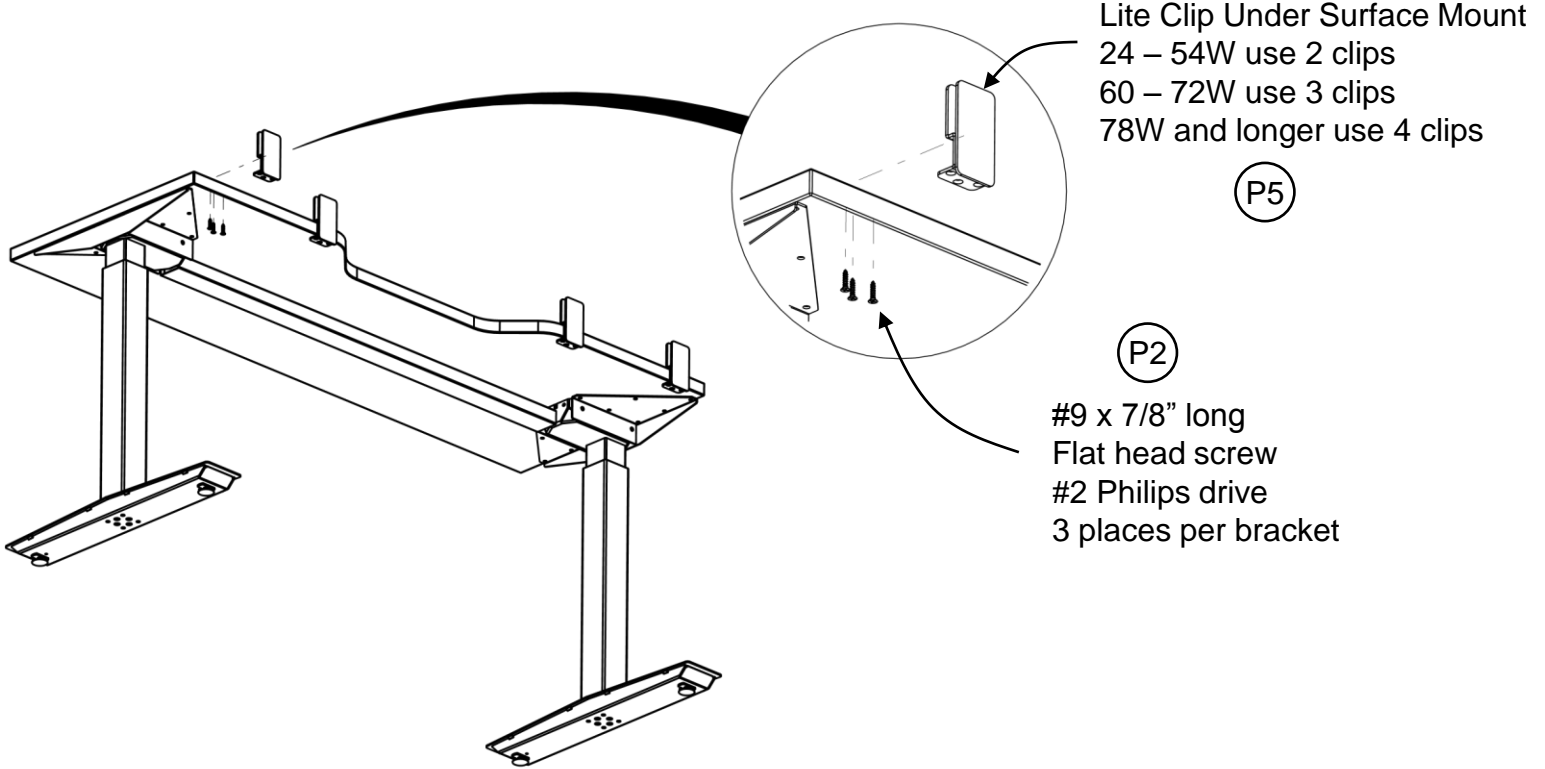
**Step 3:** Carefully position screen in clips. Use a rubber mallet and a block of wood to gently tap the top of the PET screen until the screen is fully seated at the bottom of the clips.



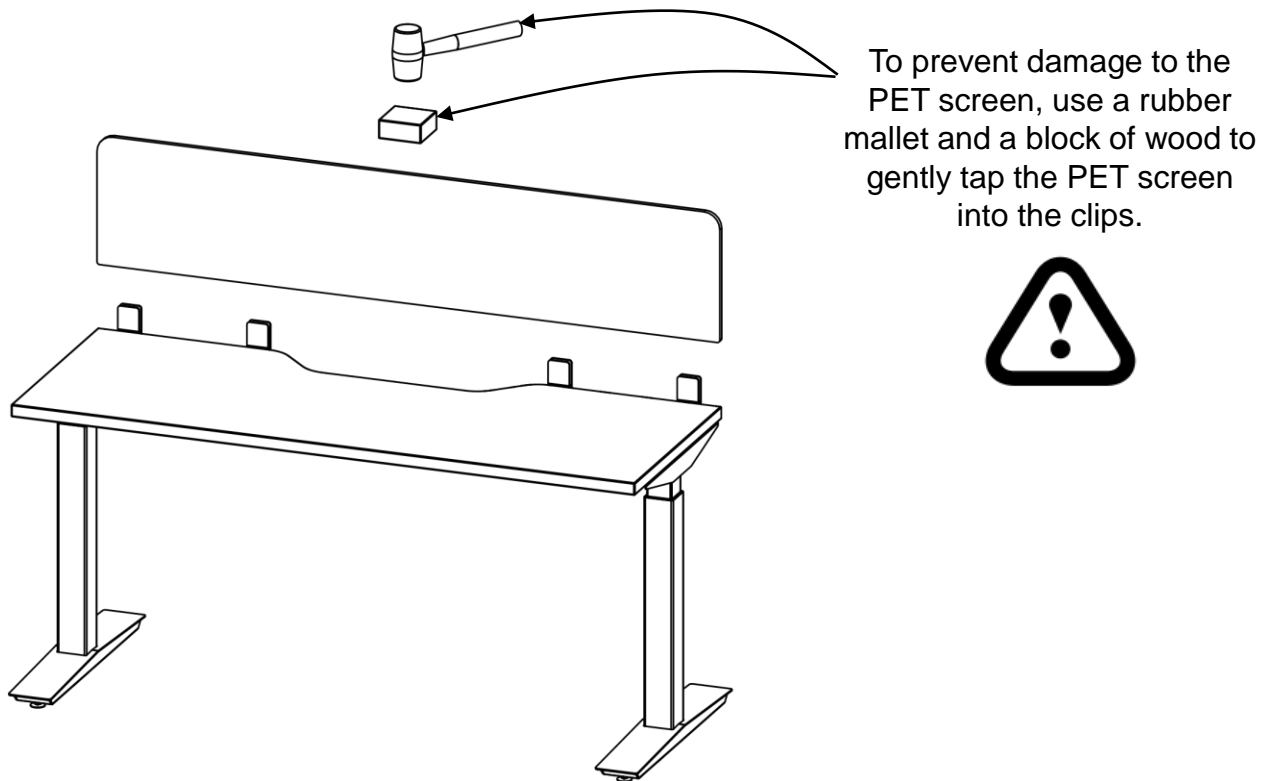
# PET Lite Clip Screens

# Aloft - Under Surface Mount Rear/Front

**Step 1:** Install clips to surface using #9 x 7/8" long flat head screws.

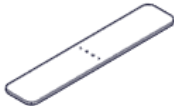





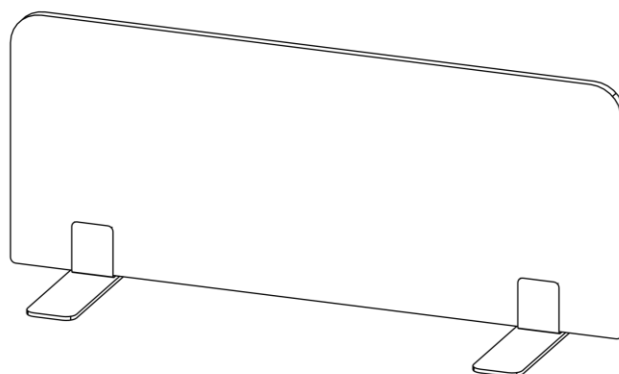
**Step 2:** Carefully position screen in clips. Use a rubber mallet and a block of wood to gently tap the top of the PET screen until the screen is fully seated at the bottom of the clips.



# PET Lite Clip Screens

# Freestanding

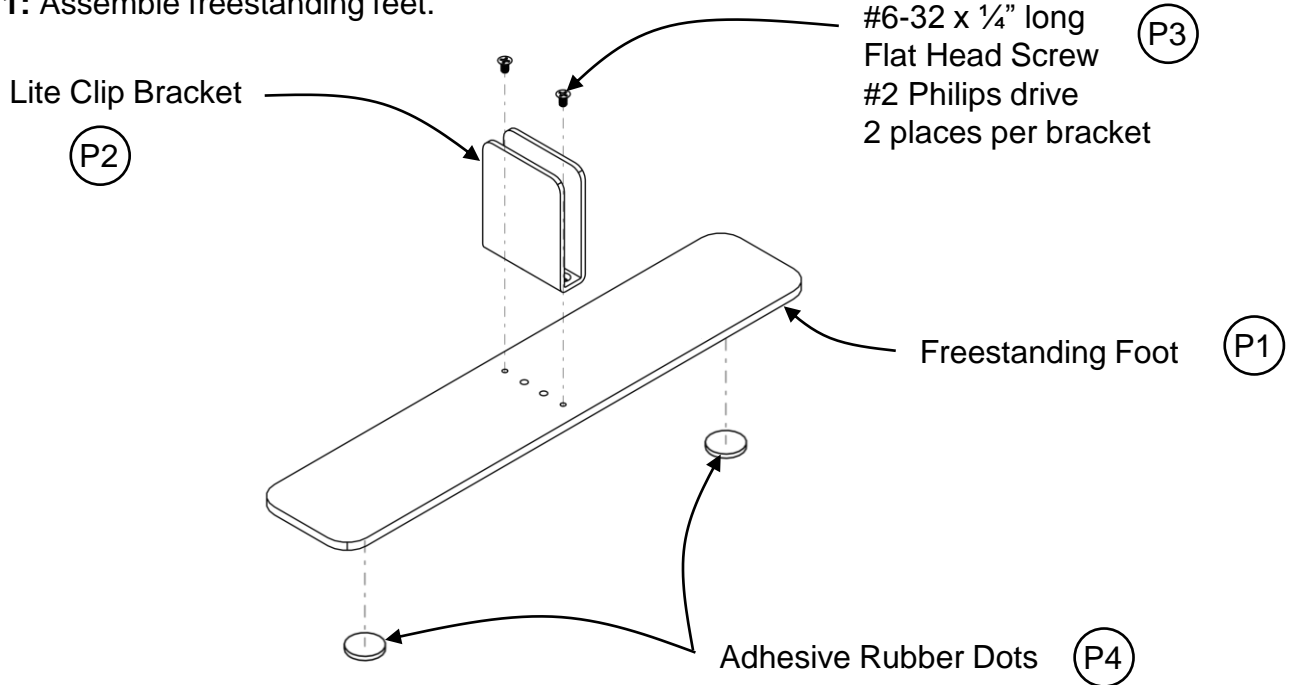
Item	Replacement Part number	Circle Sheet Part Number	Description	Image
P1	RP-SP12	RP-SP12	Freestanding Foot	
P2	A-PETUMT	RA-PETUMT	Lite Clip	
P3	RH-90273A144	RH-90273A144	#6-32 X 1/4" long Flat Head Screw	
P4	RH-34ARD	RH-34ARD	Adhesive Rubber Dots	



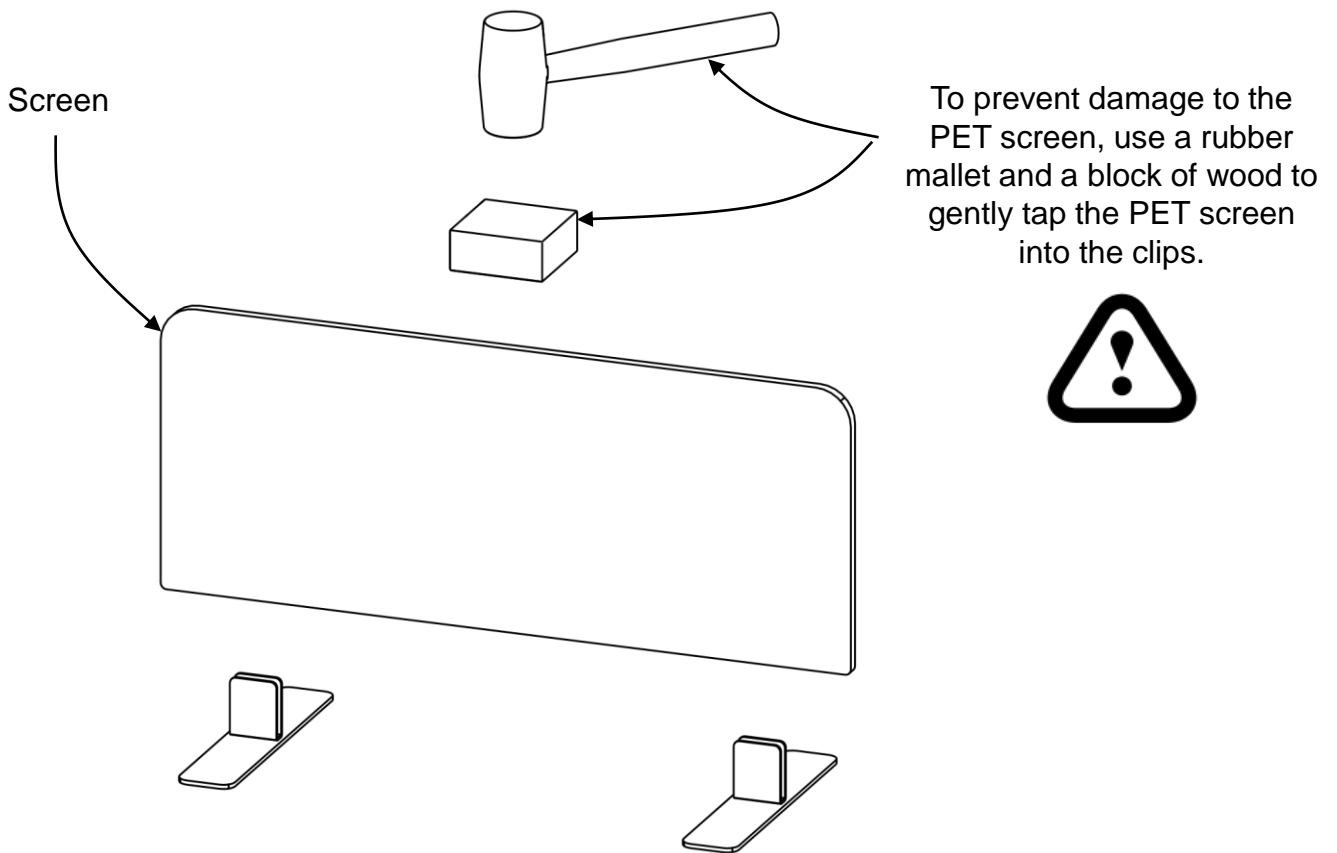
# PET Lite Clip Screens

# Freestanding

**Step 1:** Assemble freestanding feet.


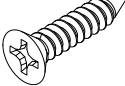


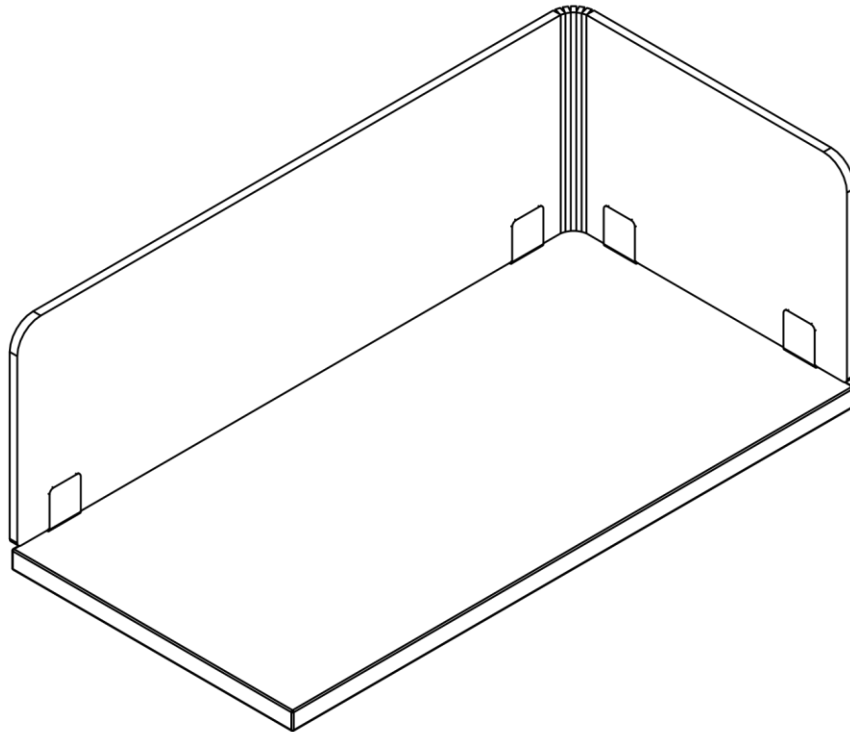
**Step 2:** Carefully position screen in clips. Use a rubber mallet and a block of wood to gently tap the top of the PET screen until the screen is fully seated at the bottom of the clips.



# PET Lite Clip Screens

# L & U Wrap – Under Surface Mount

Item	Replacement Part number	Circle Sheet Part Number	Description	Image
P1	A-RETUMC	RA-RETUMC	Lite Clip Under Surface Mounting Bracket	
P2	RH-QS0978	RH-QS0978	Flat Head Screw #9 x 7/8" Long	

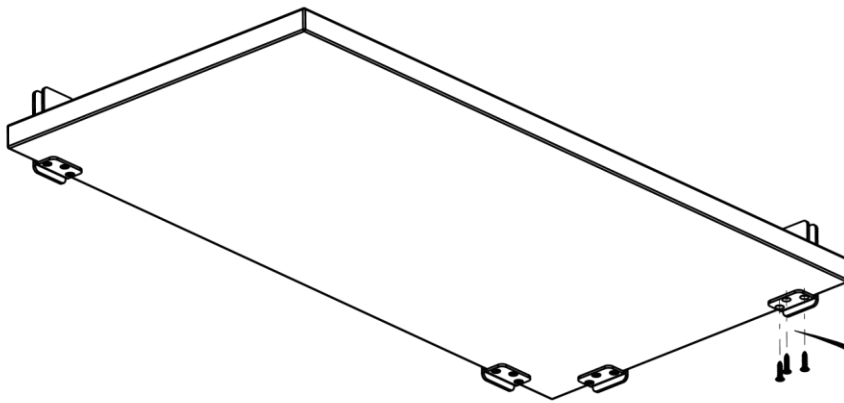
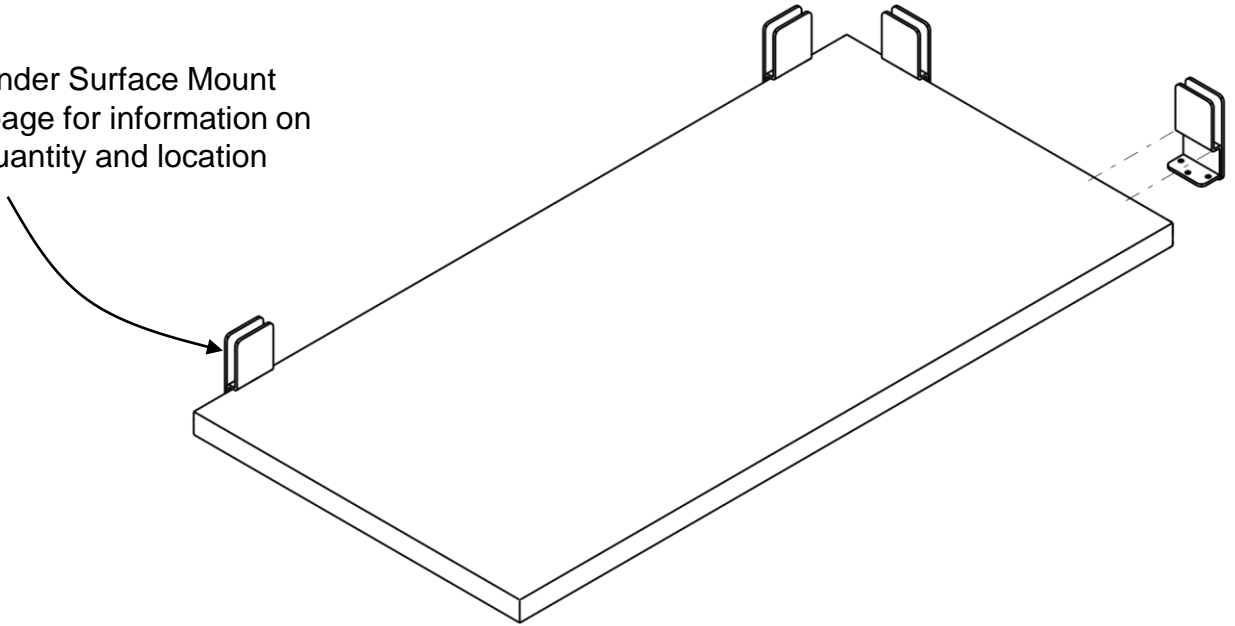


# PET Lite Clip Screens

## L & U Wrap – Under Surface Mount

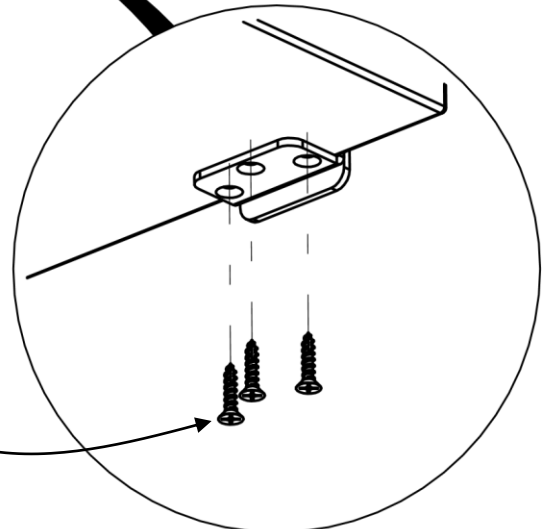
**Step 1:** Install clips to surface using #9 x 7/8" long flat head screws.

**(P1)** Lite Clip Under Surface Mount  
See next page for information on required quantity and location



**(P2)**

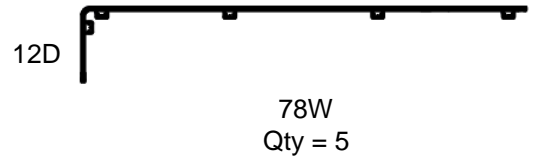
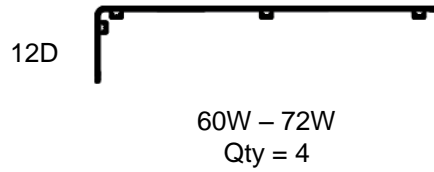
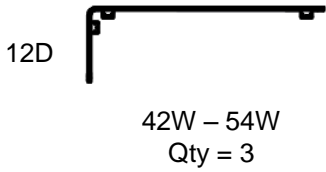
#9 x 7/8" long  
Flat head screw  
#2 Philips drive  
3 places per bracket



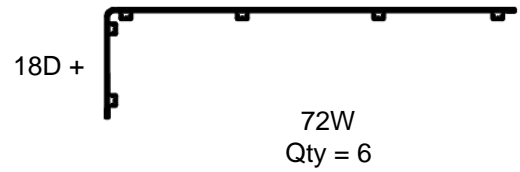
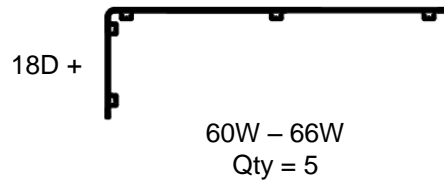
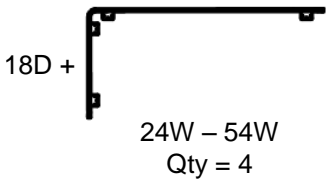
# PET Lite Clip Screens

## L & U Wrap – Under Surface Mount – Clip Locations

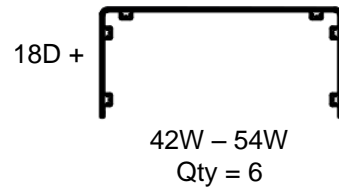
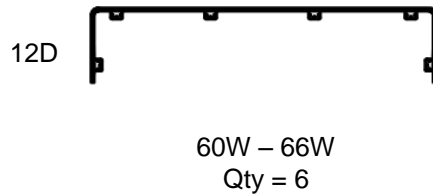
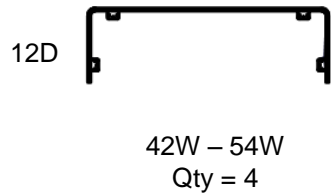
### L-Wrap Screens 12D



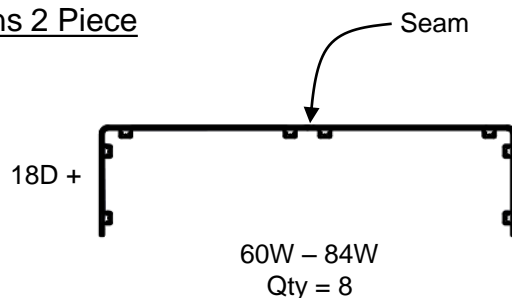
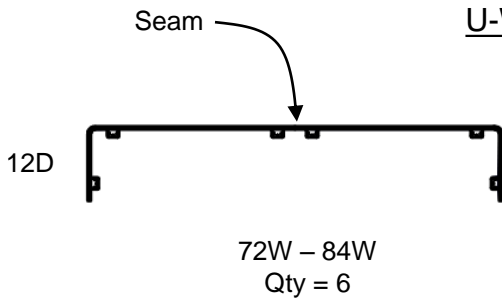
### L-Wrap Screens 18D-42D



### U-Wrap Screens 1 Piece



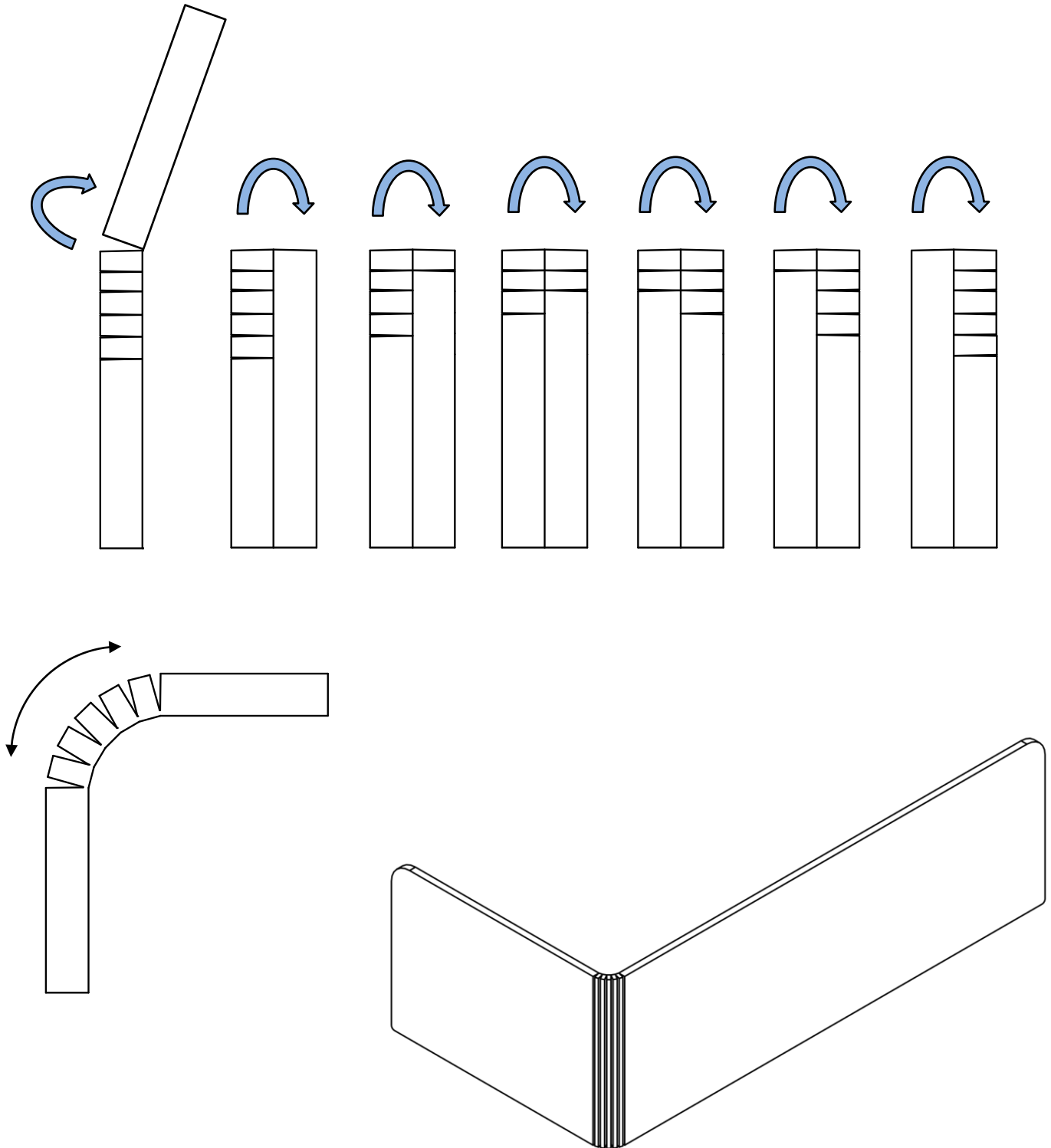
### U-Wrap Screens 2 Piece



# PET Lite Clip Screens

# L & U Wrap – Under Surface Mount

**Step 2:** Prepare PET screen for installation by opening each groove to relieve material tension and create flexibility for an aesthetic installation.



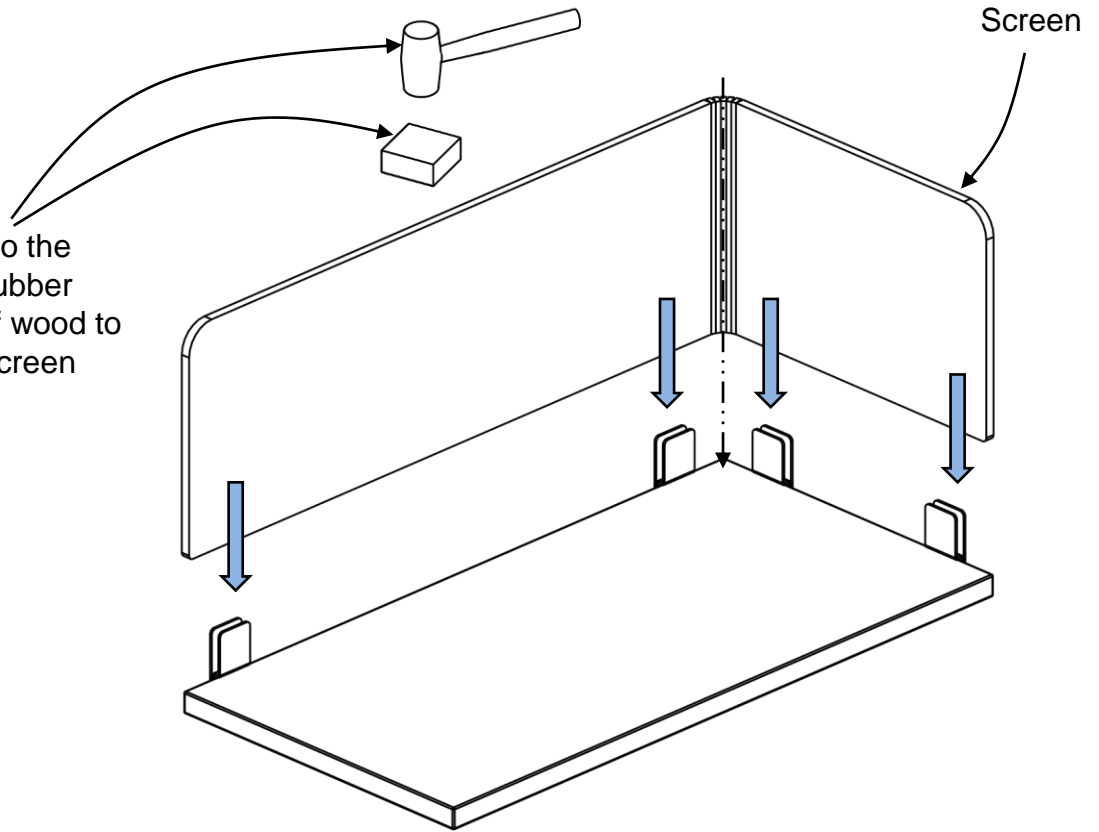
# PET Lite Clip Screens

# L & U Wrap – Under Surface Mount

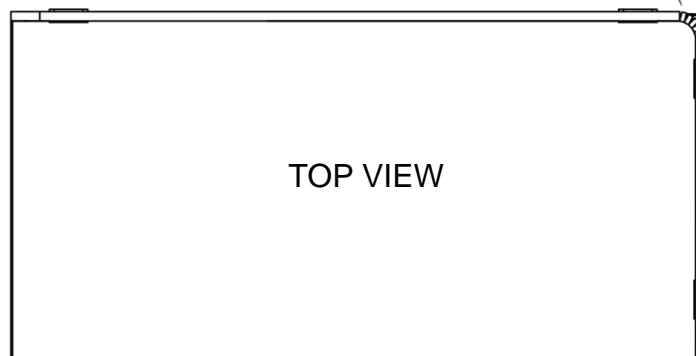
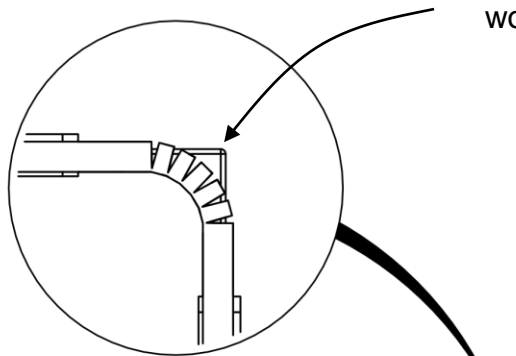
**Step 3:** Carefully position screen in clips. Use a rubber mallet and a block of wood to gently tap the top of the PET screen until the screen is fully seated at the bottom of the clips.



To prevent damage to the PET screen, use a rubber mallet and a block of wood to gently tap the PET screen into the clips.


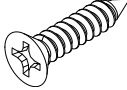



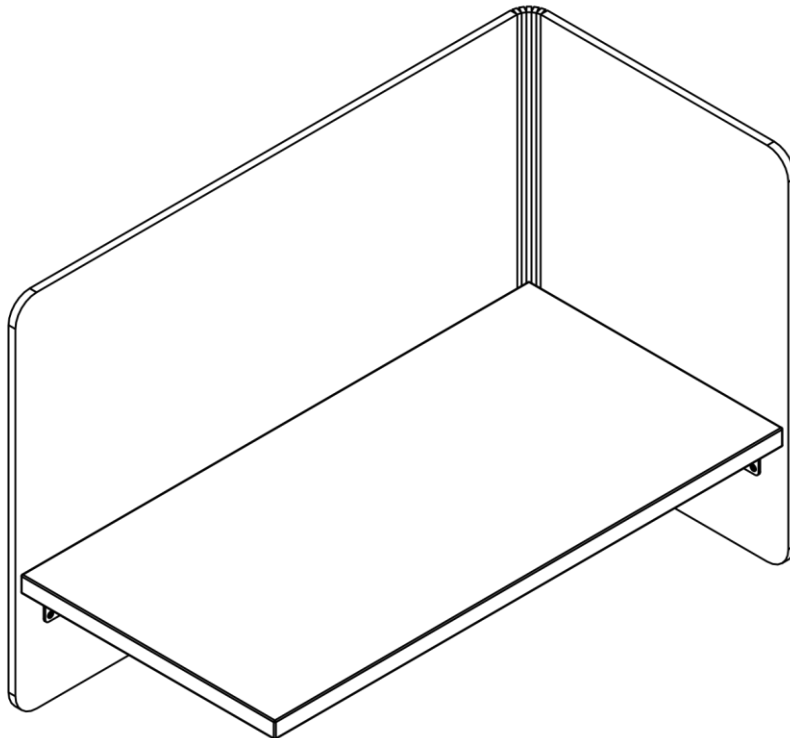
Center screen corner to worksurface corner



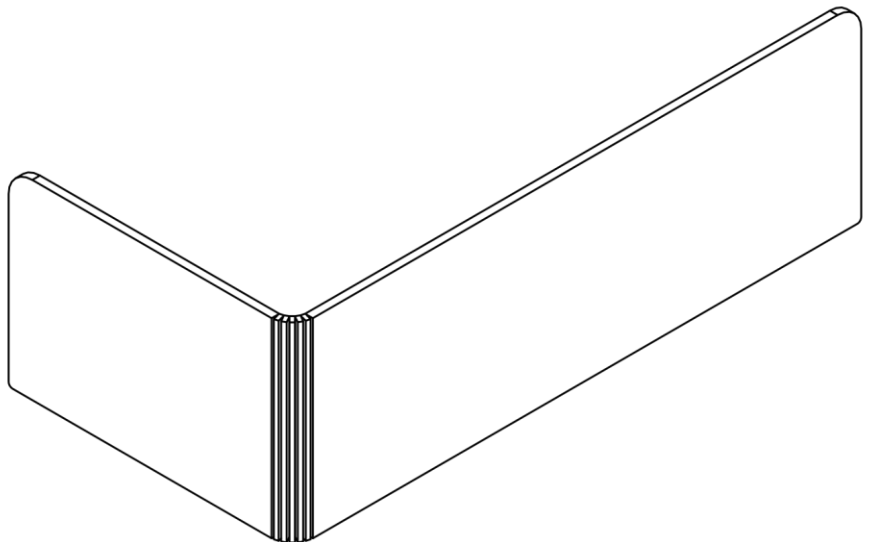
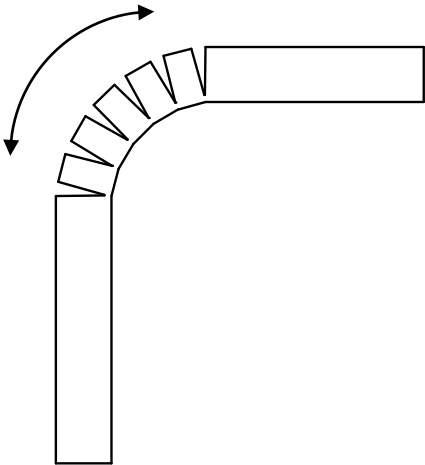
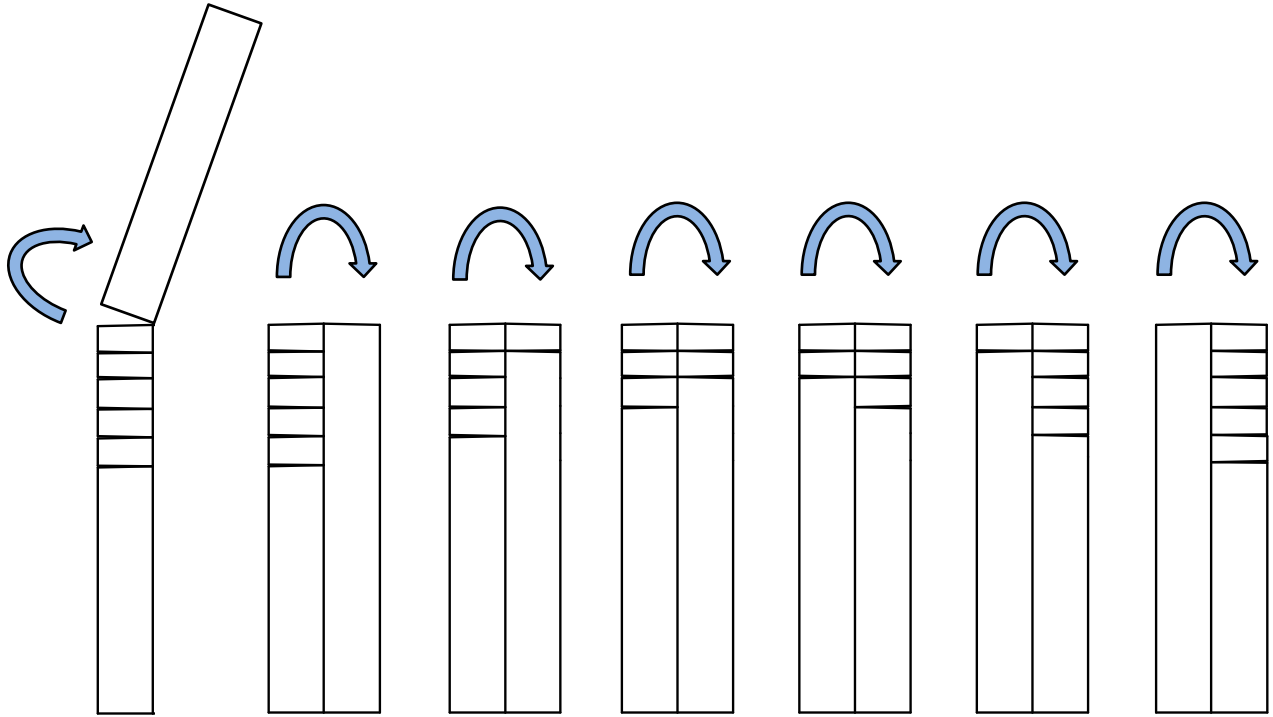
# PET Lite Clip Screens

# L & U Wrap – Partial Modesty - Under Surface Mount

Item	Replacement Part number	Circle Sheet Part Number	Description	Image
P1	A-SLPET	RA-SLPET	PET Partial Modesty Bracket	
P2	RH-QS0978	RH-QS0978	Flat Head Screw #9 x 7/8" Long	
P3	RH-90048A194	RH-90048A194	Flat Head Screw #8 x 1/2" Long	

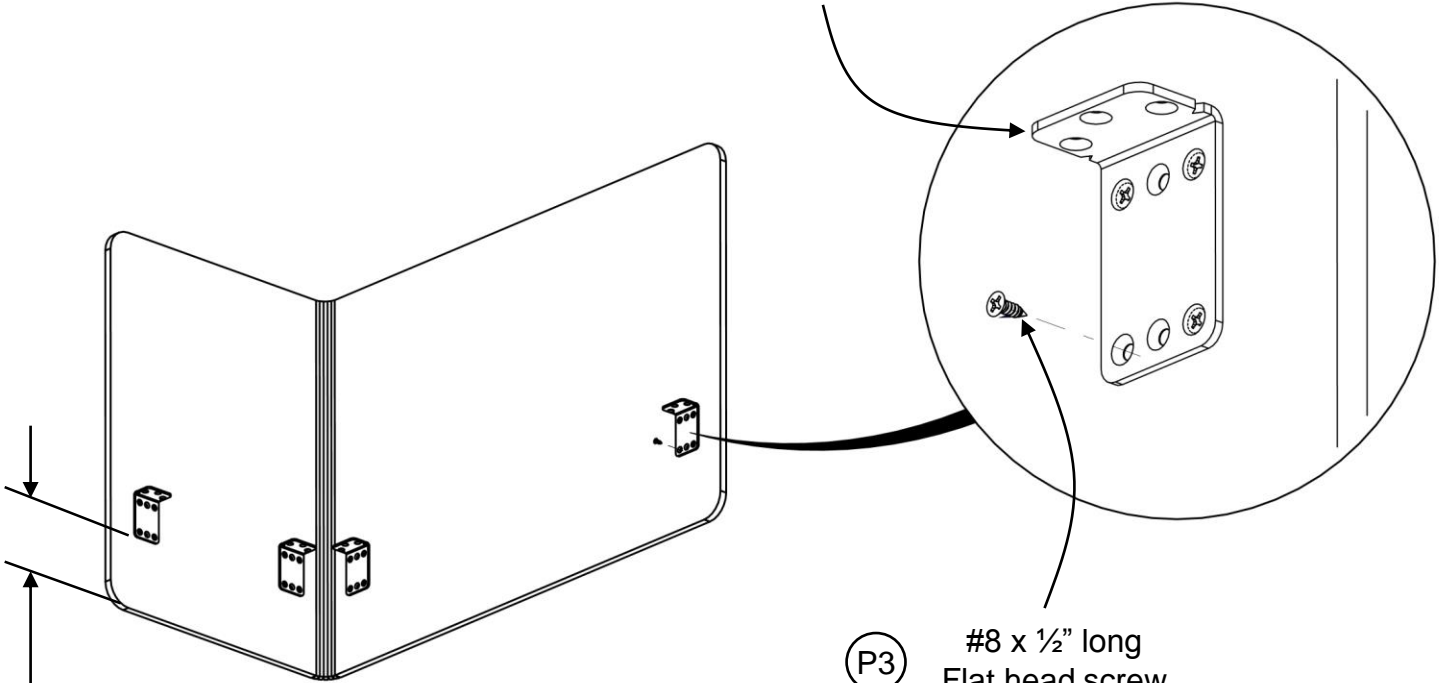


**Step 1:** Prepare PET screen for installation by opening each groove to relieve material tension and create flexibility for an aesthetic installation.



**Step 2:** Install partial modesty brackets to the PET screen using #8 x 1/2" long screws

**(P1)** Partial Modesty Bracket  
See next page for information on  
required quantity and location



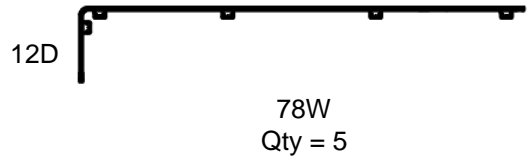
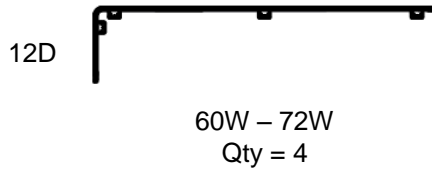
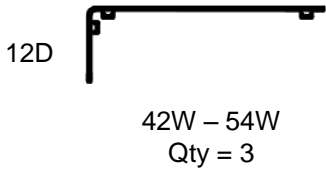
8" is planned dimension for  
catalog and design images.  
Dimension can be changed to  
desired height per customer.

**(P3)** #8 x 1/2" long  
Flat head screw  
#2 Philips drive  
4 places per bracket

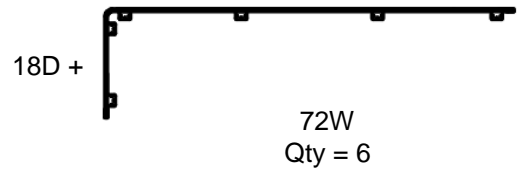
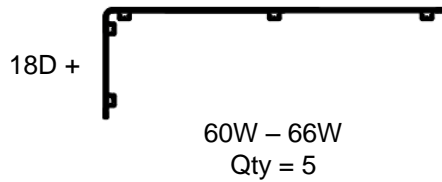
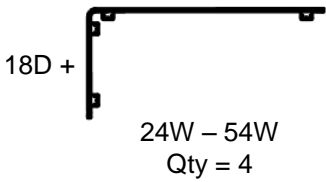


Do not use worksurface  
screws they are too long and  
will break through material

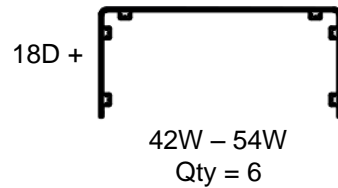
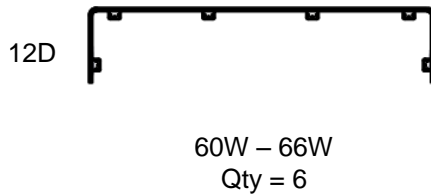
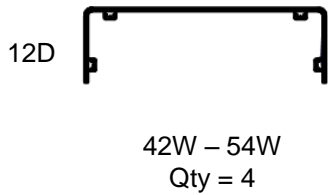
## L-Wrap Screens 12D



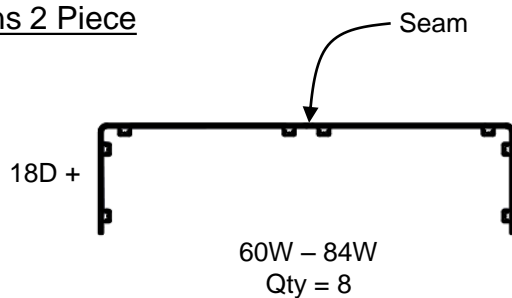
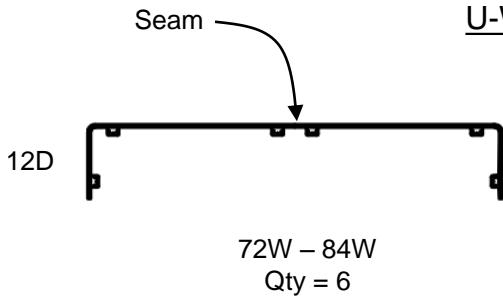
## L-Wrap Screens 18D-42D



## U-Wrap Screens 1 Piece

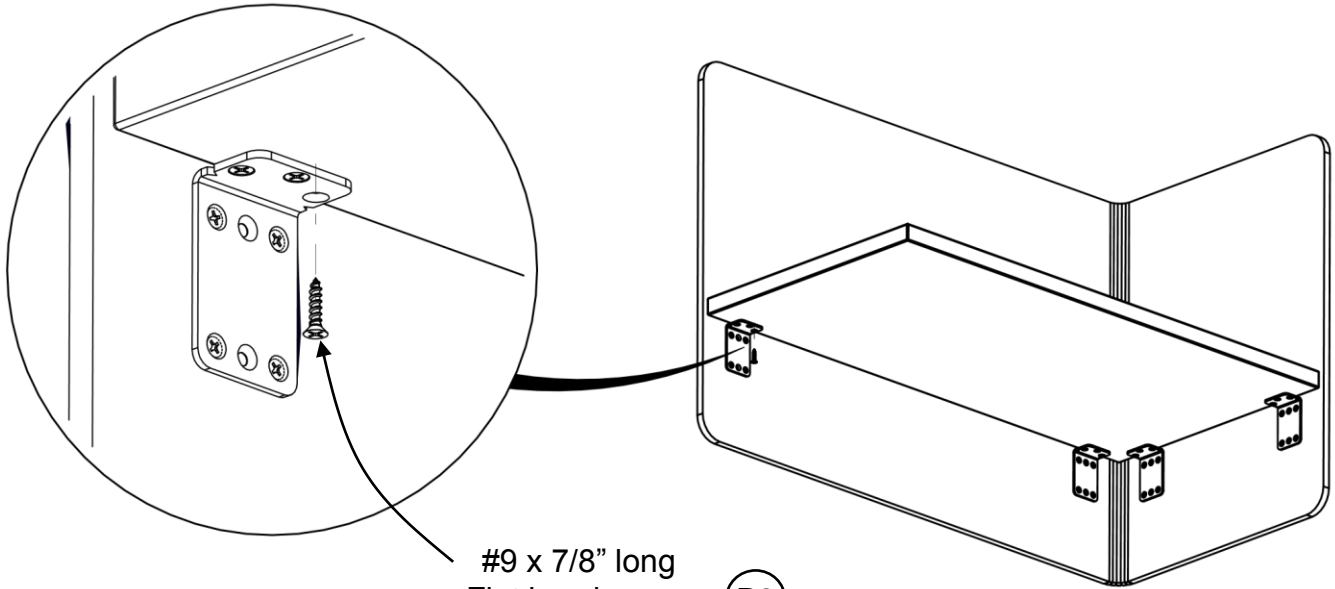


## U-Wrap Screens 2 Piece



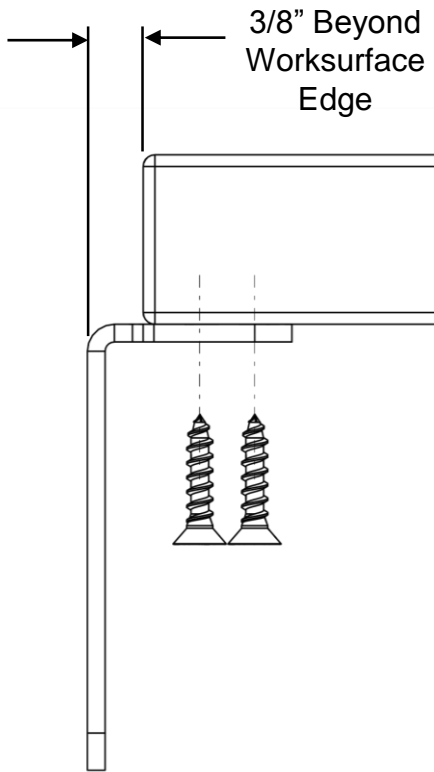
# L & U Wrap – Partial Modesty - Under Surface Mount

**Step 3:** Secure to worksurface to partial modesty brackets using #9 x 7/8" long screws.

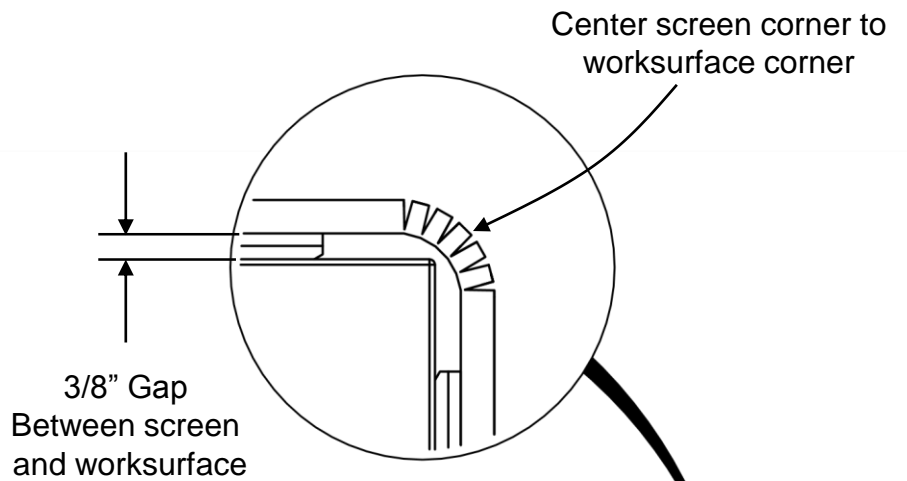


#9 x 7/8" long  
Flat head screw  
#2 Philips drive  
3 places per bracket

(P2)



3/8" Beyond  
Worksurface  
Edge



Center screen corner to  
worksurface corner



3/8" Gap  
Between screen  
and worksurface

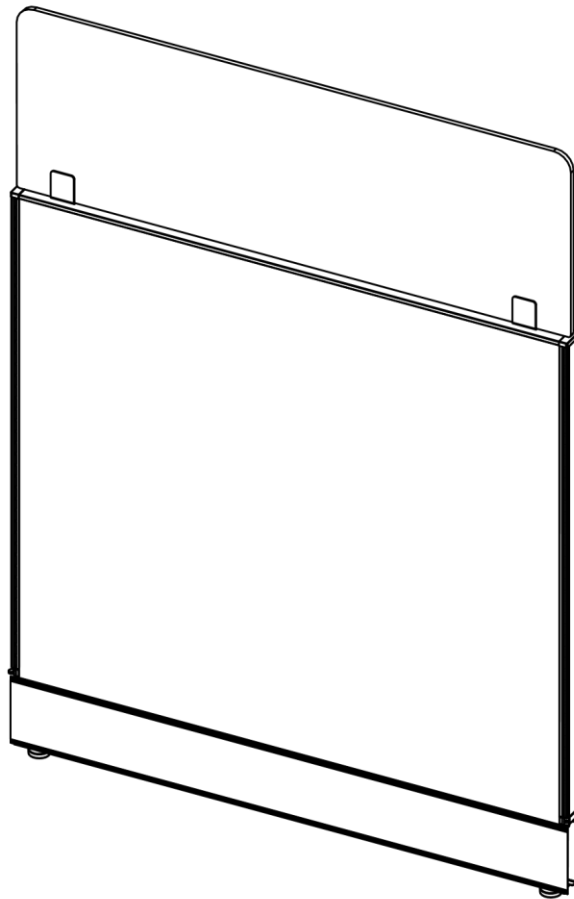


TOP VIEW

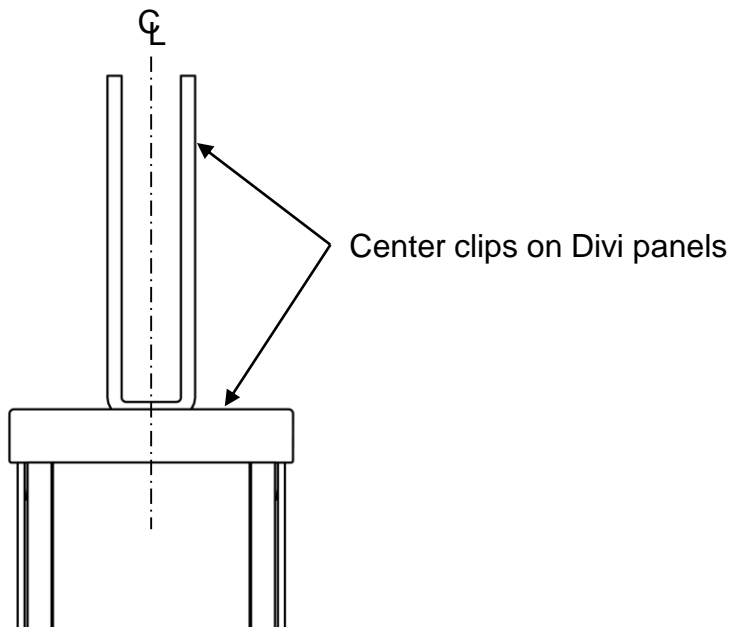
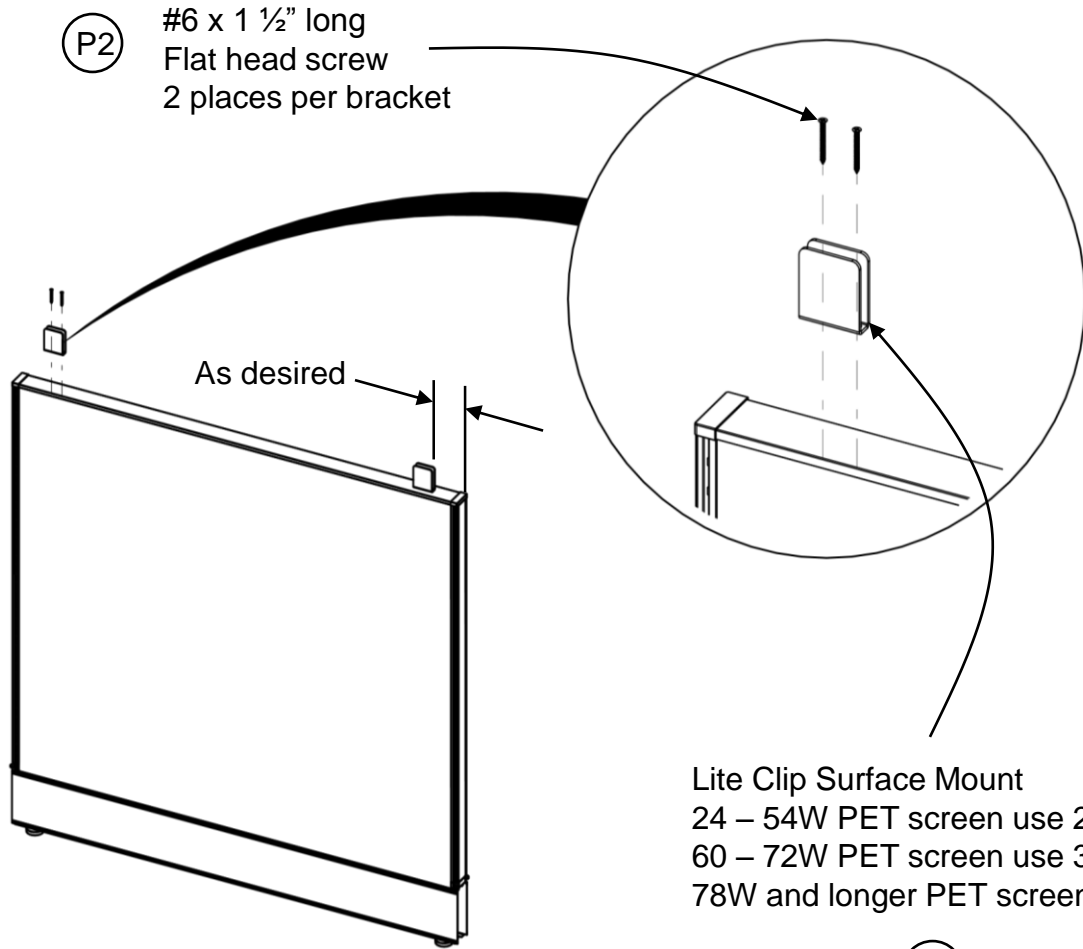
# PET Lite Clip Screens

# Divi Panel Top Mount

Item	Replacement Part number	Circle Sheet Part Number	Description	Image
P1	A-PETUMT	RA-PETUMT	Lite Clip	
P2	RH-90048A155	RH-90048A155	#6 X 1 1/2" Long Flat Head Screw	



**Step 1:** Install clips to surface using #6 x 1 1/2" long flat head screws.



**Step 2:** Carefully position screen in clips. Use a rubber mallet and a block of wood to gently tap the top of the PET screen until the screen is fully seated at the bottom of the clips.



To prevent damage to the PET screen, use a rubber mallet and a block of wood to gently tap the PET screen into the clips.

