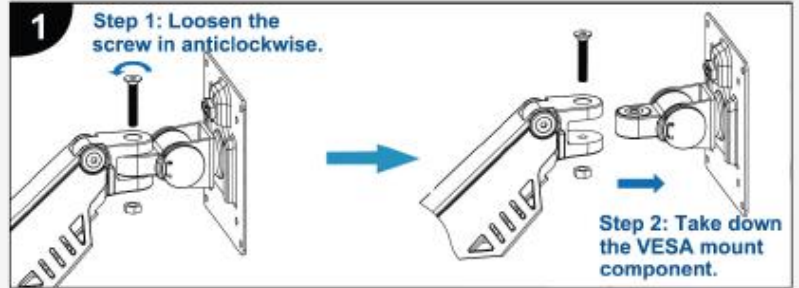


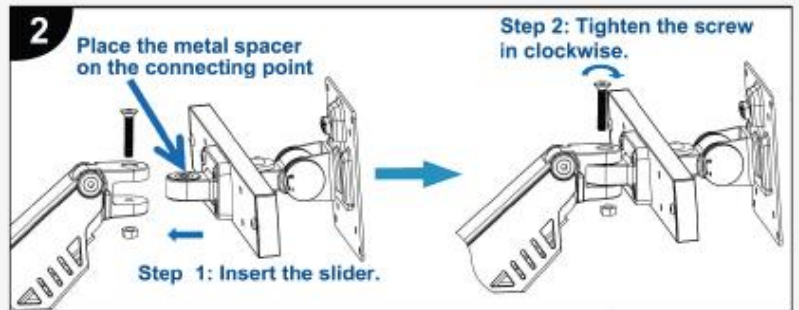
Quick Installation Guide

1. Application environment: To help to keep 2 small monitors (17-27") side by side on the dual monitor arm.
2. Slider: Accessory for dual arm.
3. Loading capacity: 6KG.
4. Horizontal adjustment range: 30cm.
5. Quantity of optional installation point: 3.

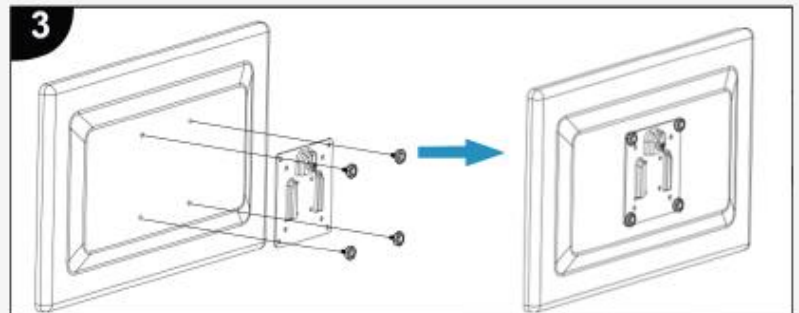
Step 1- Loosen and take down one VESA mount component on the dual arm.



Step 2- Insert the slider and tighten the screw.



Step 3- Attach the VESA plate to monitor.



Step 4- Place the VESA plate on the arm mount, and tighten the top screw on VESA mount.

