
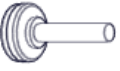







# Wall Mounted Gallery Panels Installation Instructions

Date	Page No.	Description of change	Name
11/10/2022	1-8	Released	S. Powers
04/04/2025	8	Added noted that Cam Covers are not included.	P. Day

Item	Replacement Part number	Circle Sheet Part Number	Description	Image
P1	WFS-IN51618B	RWFS-IN51618B-I	Glide Insert	
P2	WFS-GL51618	RWFS-GL51618-I	5/16-18 Glide	
P3	P-WMGPBB	RP-WMGPBB	Bottom Bracket	
P4	P-WMGPTB	RP-WMGPTB	Top Bracket	
P5	RH-90065A203	RH-90065A203	#8 x 1 1/2" Flat Head Screw	
P6	RH-DU325-I	RH-DU325	Anchor Pin	
P7	RH-9056601-I	RH-9056601-I	Cam Bushing	

# Wall Mounted Gallery Panels Installation Instructions

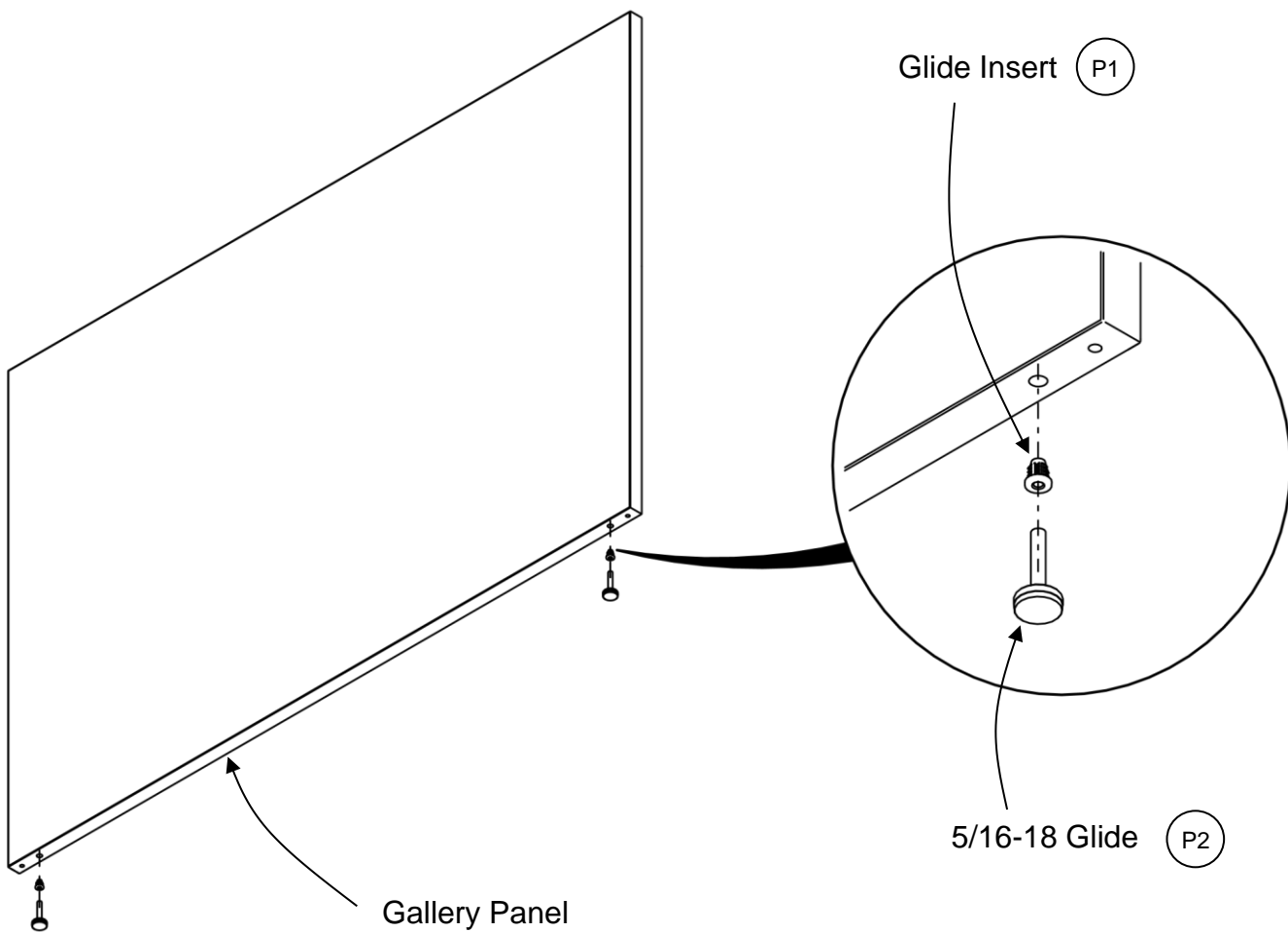


## Important Note:

Customer must ensure the structural integrity of the wall is sufficient to support the wall mounted gallery panel. All wall mounting hardware (not included) should be securely fastened to the studs in the load bearing wall

## Step 1:

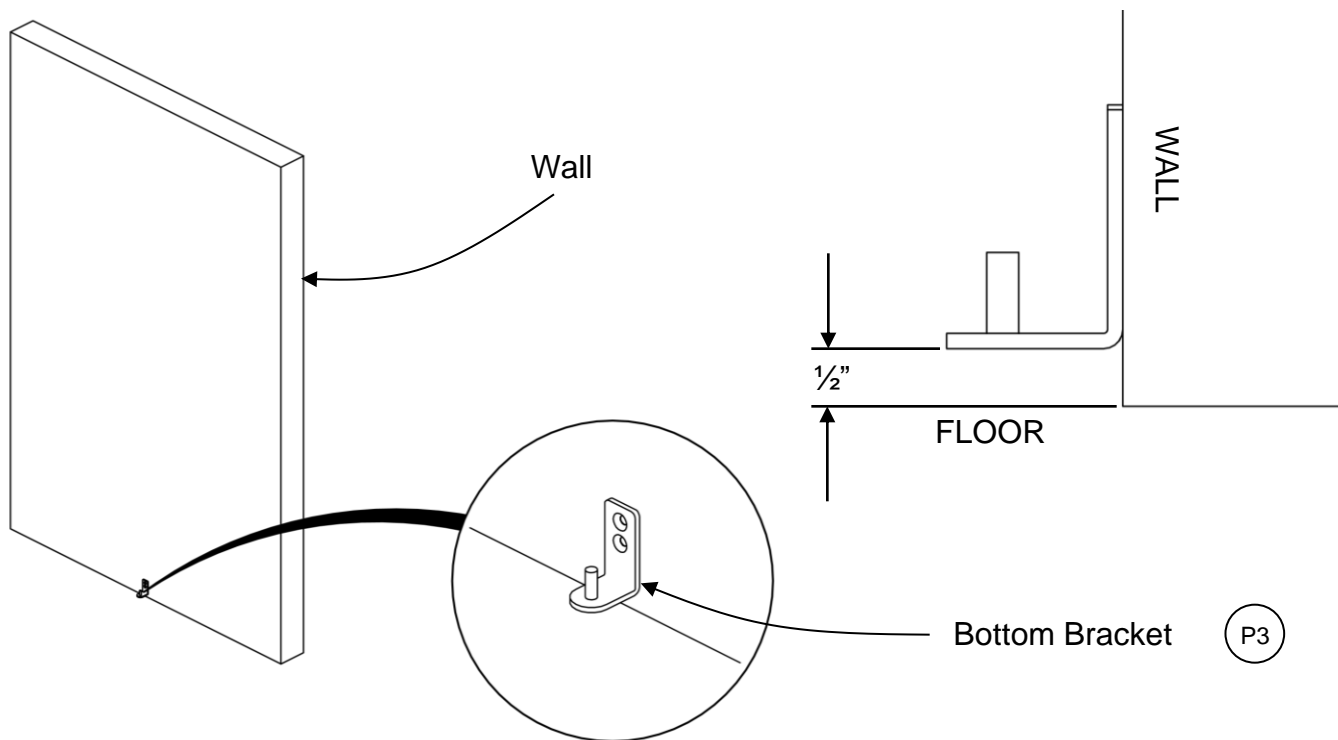
Install glides and glide inserts into the bottom of the gallery panels.



# Wall Mounted Gallery Panels Installation Instructions

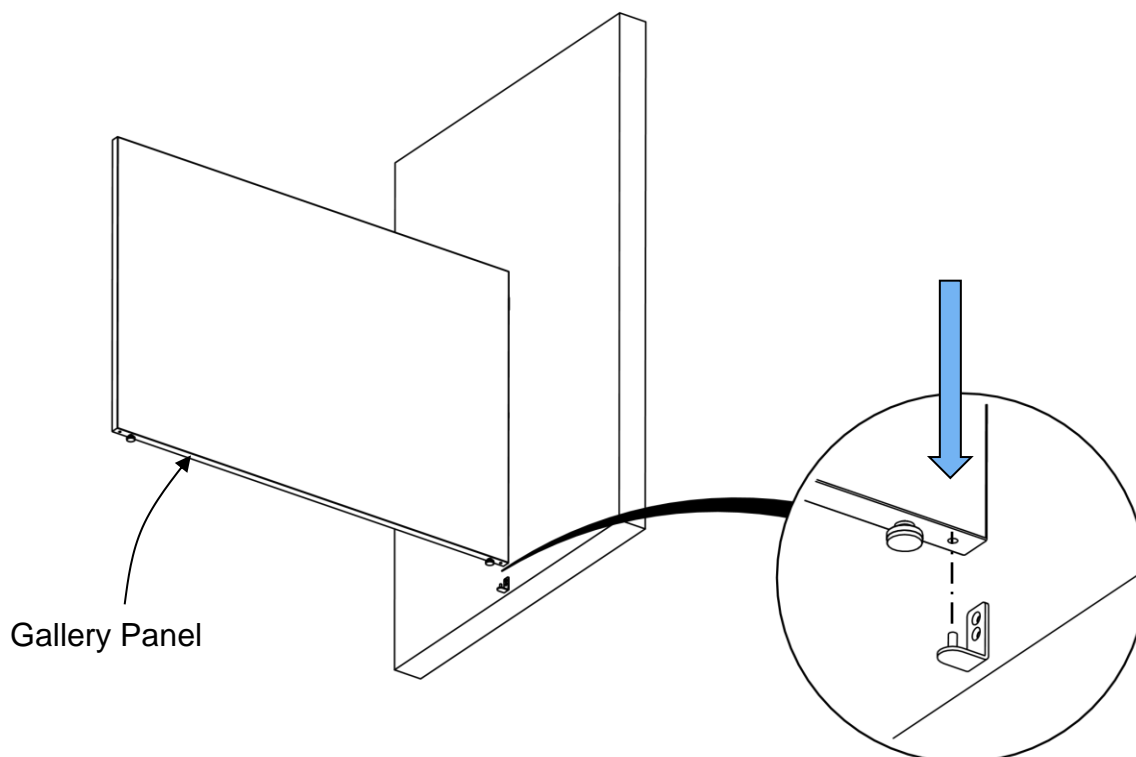
## Step 2:

Install the bottom mounting brackets securely to the wall studs (hardware not included).



## Step 3:

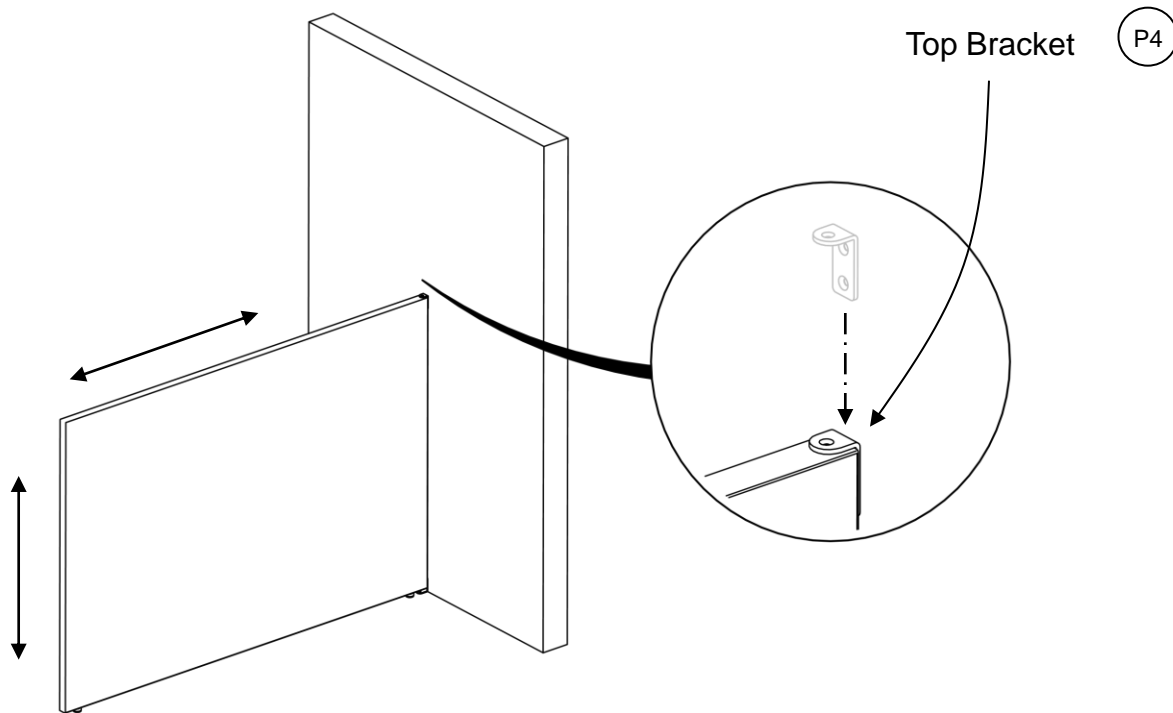
Align the bottom of the gallery panel to the bottom mounting bracket stud.



# Wall Mounted Gallery Panels Installation Instructions

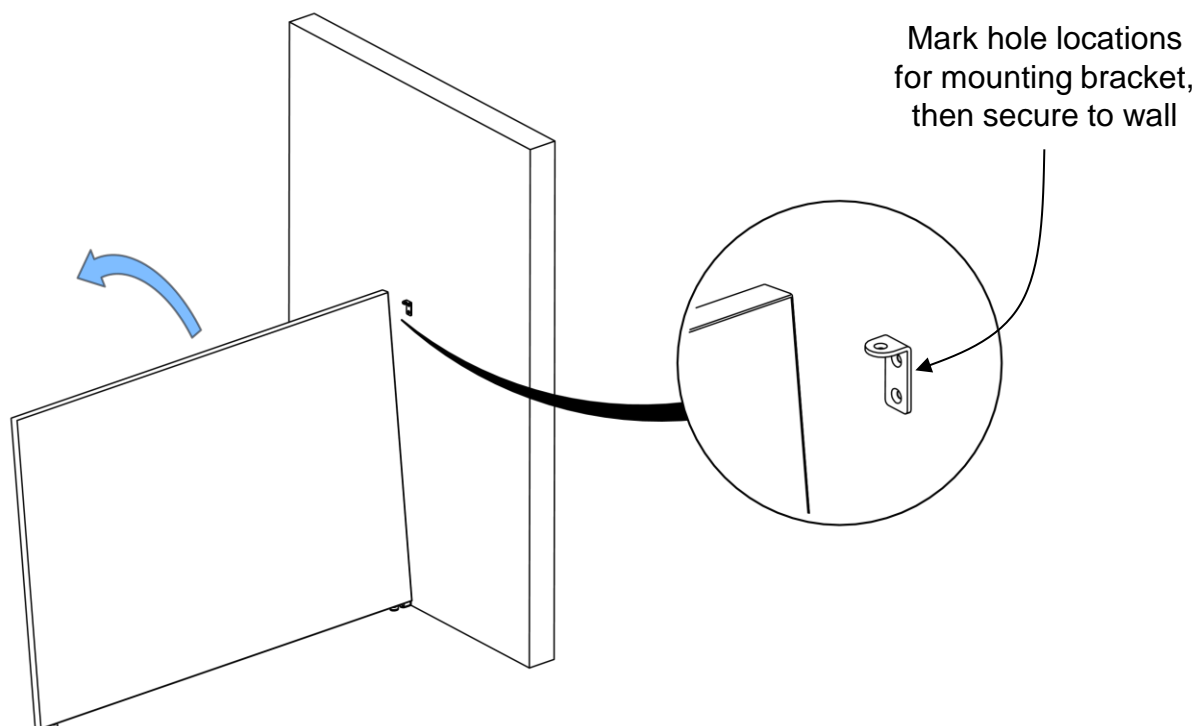
## Step 4a:

Make sure the gallery panel is level and plumb. Position the top bracket between the wall and the gallery panel as shown.



## Step 4b:

Rotate the gallery panel to access and mark the mounting holes for the top bracket. Mount the top bracket securely to the wall studs (hardware not included).



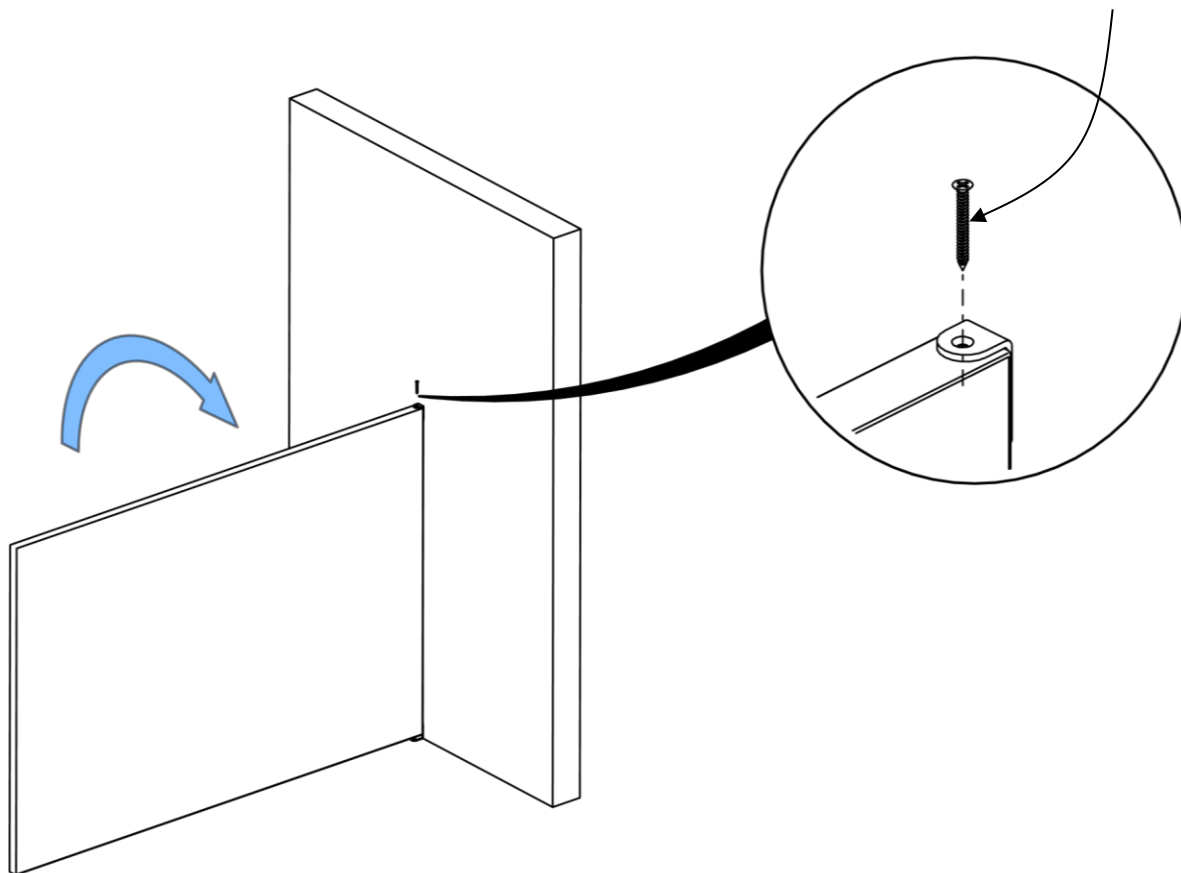
# Wall Mounted Gallery Panels Installation Instructions

## Step 4c:

Rotate the gallery panel back to the vertical position and secure the gallery panel to the top bracket using a #8 x 1 1/2" screws.

#8 x 1 1/2" long  
Flat Head Screw  
#2 Phillips Drive

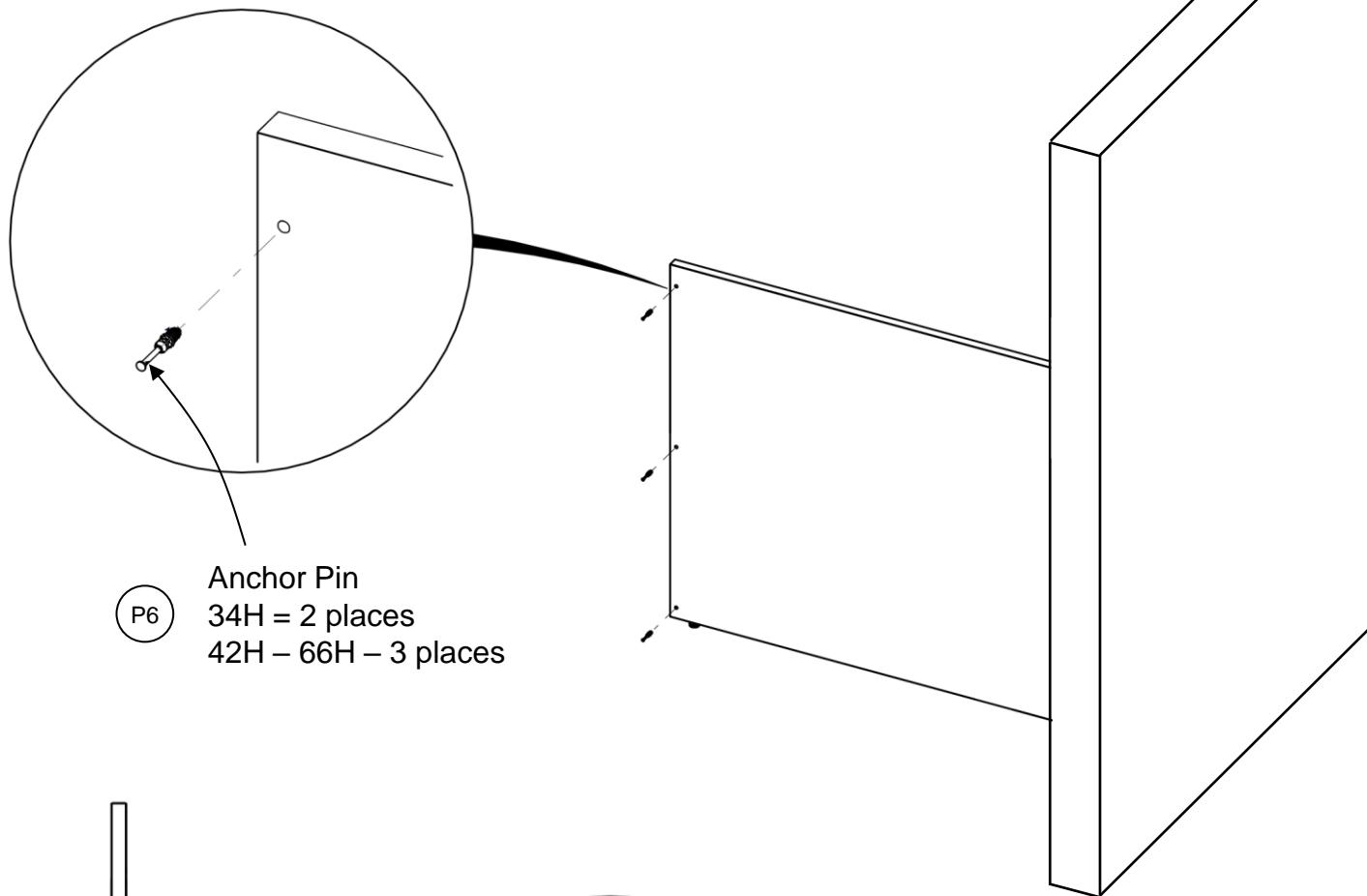
P5



# Wall Mounted Gallery Panels Installation Instructions

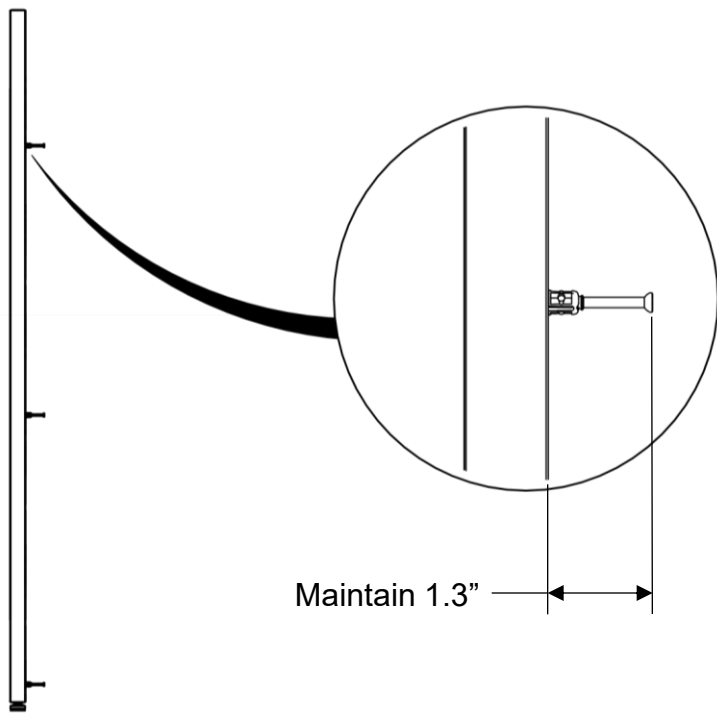
## Step 5a (for wing panels only):

Install anchor pins into the gallery panel.

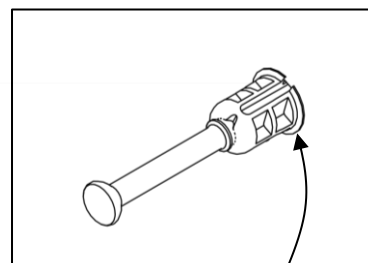


P6

Anchor Pin  
34H = 2 places  
42H – 66H – 3 places



Maintain 1.3"



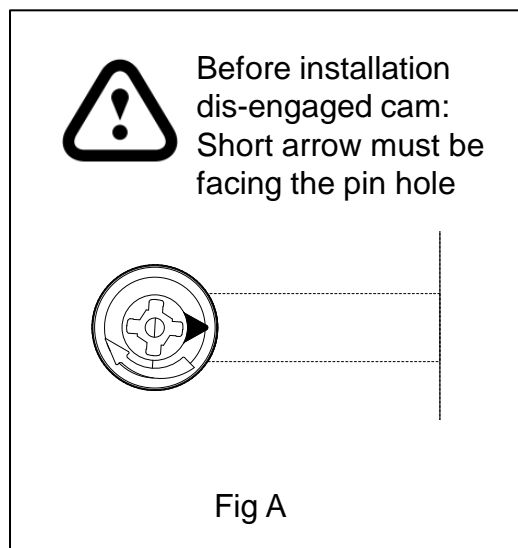
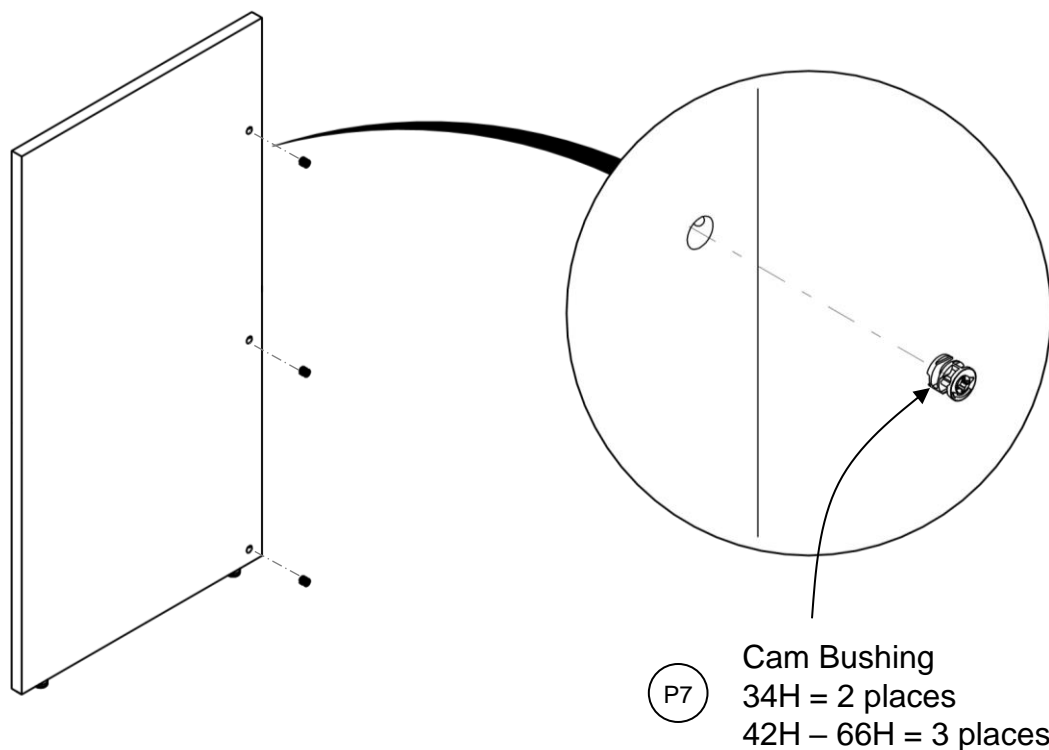
When installing anchor pins, be sure this rim remains exposed.



# Wall Mounted Gallery Panels Installation Instructions

## Step 5b (for wing panels only):

Install cam bushings into the gallery panel holes as shown in Fig A.



# Wall Mounted Gallery Panels Installation Instructions

## Step 5c (for wing panels only):

Align the wing panel to the adjacent gallery panel pins and tighten all cam bushings as shown in fig B to firmly secure wing panel in place.

Cam covers not included. Must be ordered separately.

