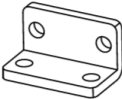

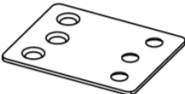
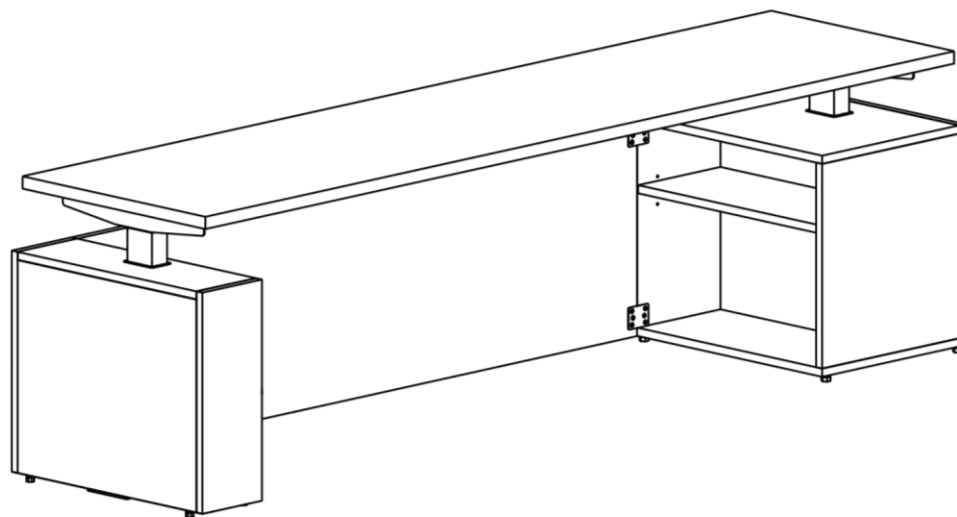


Calibrate 21H Modesty Installation Instructions

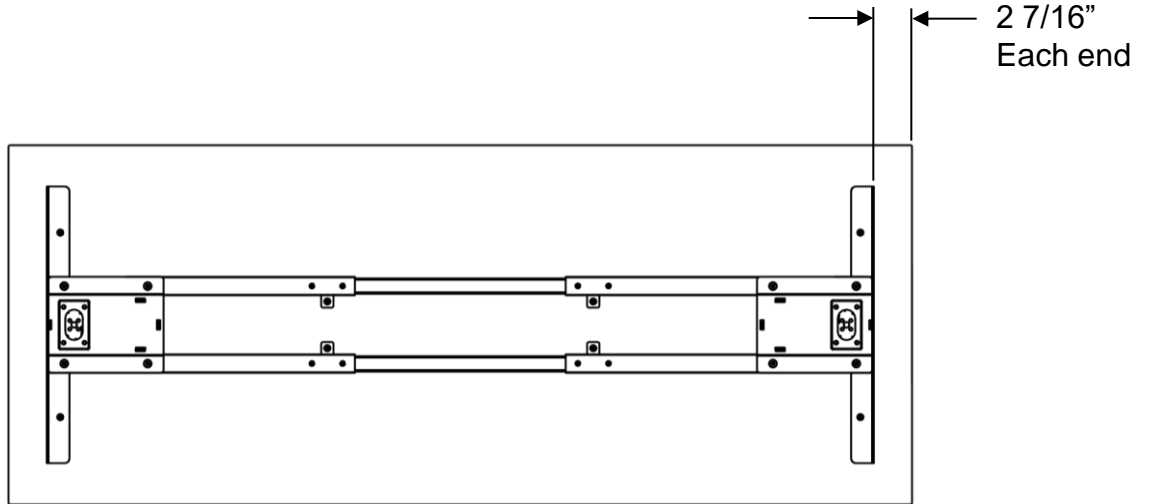
Date	Page No.	Description of change	Name
12/22/2022	1-2	Released	S. Powers
3/24/2025	1	Update description on Item P1	P. Day

Item	Replacement Part number	Circle Sheet Part Number	Description	Image
P1	O-SLSBMB2	OX-SLSBMB2	L-Bracket	
P2	RH-WSFP1034	RH-WSFP1034	#10 X 3/4" Flat Head Screw	
P3	WFS-MEND	RWFS-MEND	Mending Plate	

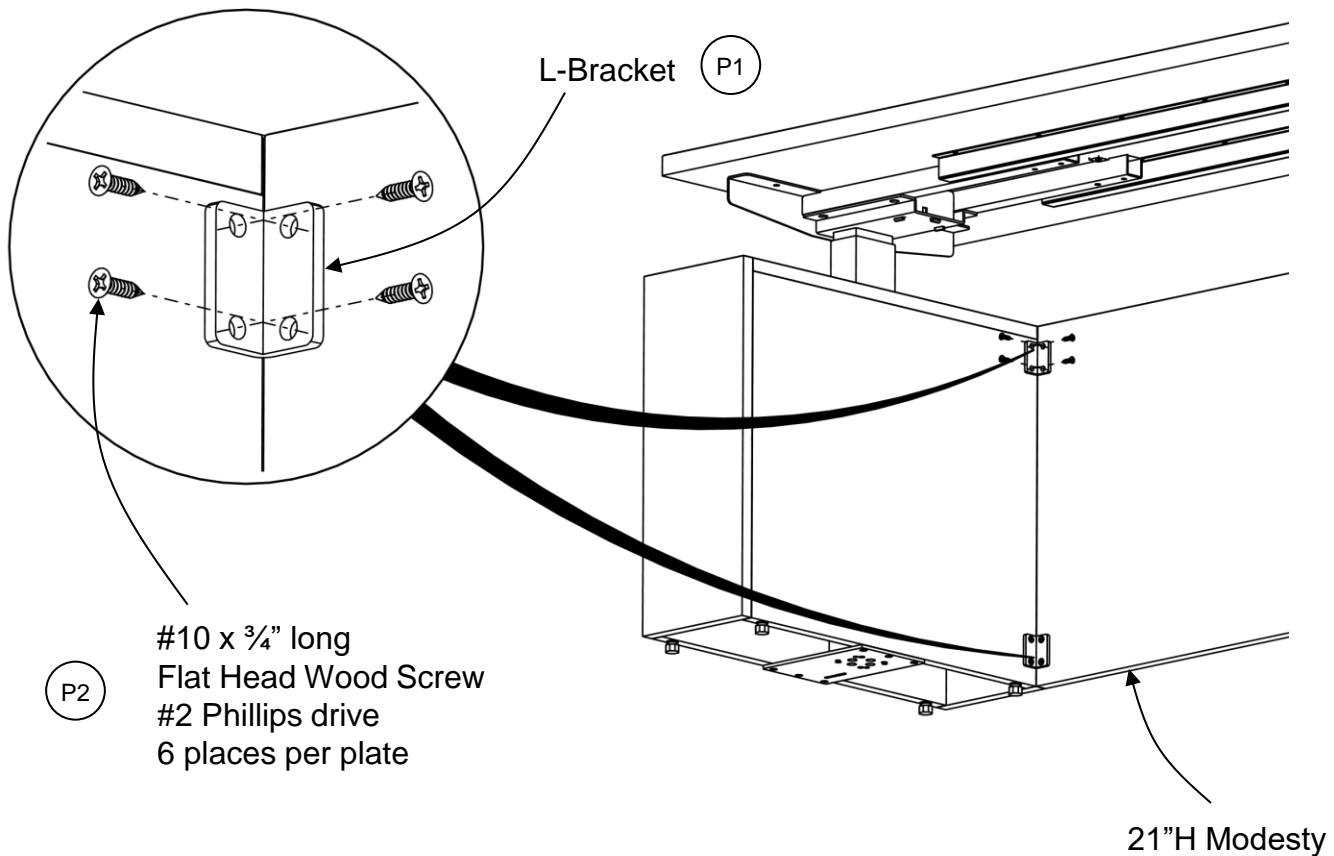


Calibrate 21H Modesty Installation Instructions

Prior to Installation: Make sure the distance from the cantilever edge to the worksurface is 2 7/16"

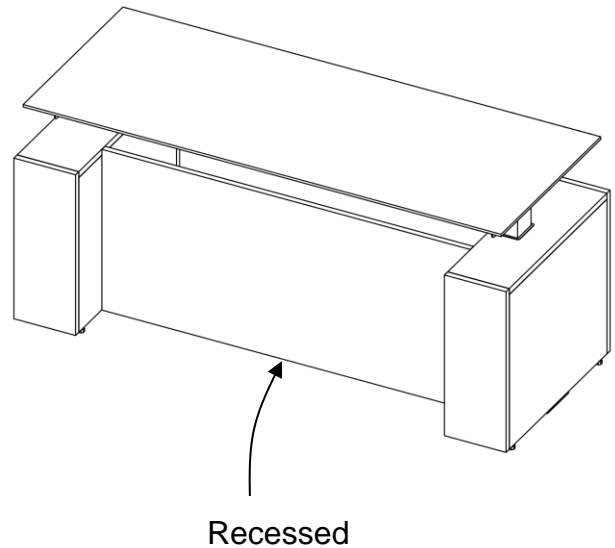
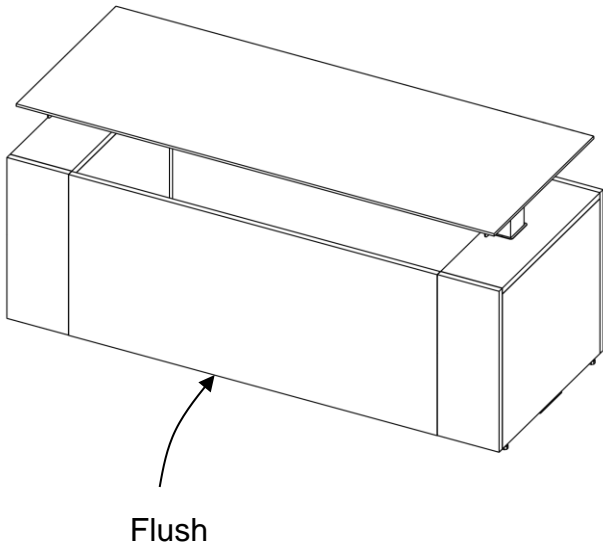


Option 1: If the modesty installation is adjacent to a HAT base or enclosed storage unit, use L-brackets.



Calibrate 21H Modesty Installation Instructions

Note: If the modesty is being installed adjacent to two enclosed bases, the modesty can install flush or recessed to each base end as desired.



Option 2: If modesty installation is adjacent to an open storage unit, use two mending plates to install flush to the storage unit.

