
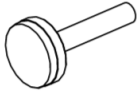


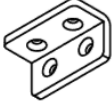





Calibrate Desk Shells and Returns with Access Modesty Installation Instructions

Date	Page No.	Description of change	Name
02/01/2024	1-7	Released	S. Powers
04/14/2025	1	Swapped P3 and P4 images	P. Day

Item	Replacement Part number	Circle Sheet Part Number	Description	Image
P1	WFS-IN51618B	RWFS-IN51618B	5/16-18 Glide Insert	
P2	WFSGL51618	RWFS-GL51618	5/16-18 Glide	
P3	RH-9056601-I	RH-9056601	Cam Bushing	
P4	RH-DU325	RH-DU325	Anchor Pin	
P5	O-LB	OX-LB	L-Bracket	
P6	X-DSCS	WC-DSCS	Support Panel	
P7	RH-QS0978	RH-QS0978	#9 x 7/8" Flat Head Screw	
P8	WPS-HSxx	RWPS-HSxx	U-Channel	

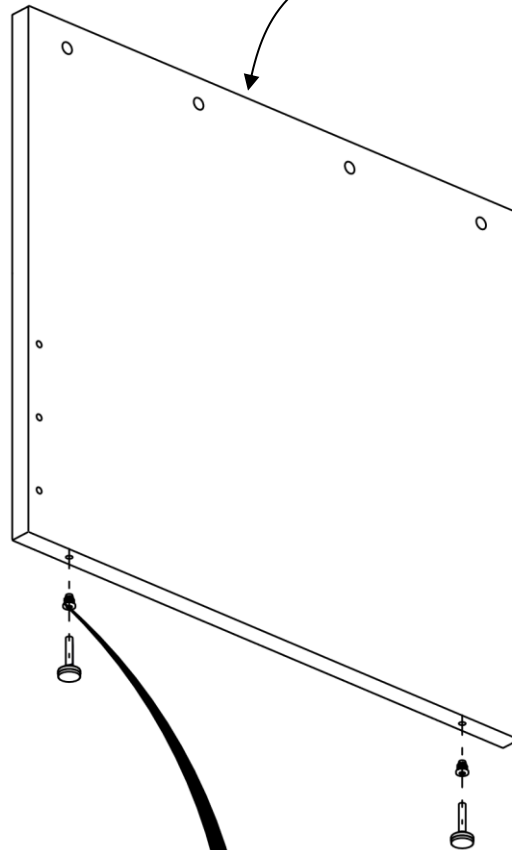
Calibrate Desk Shells and Returns with Access Modesty Installation Instructions



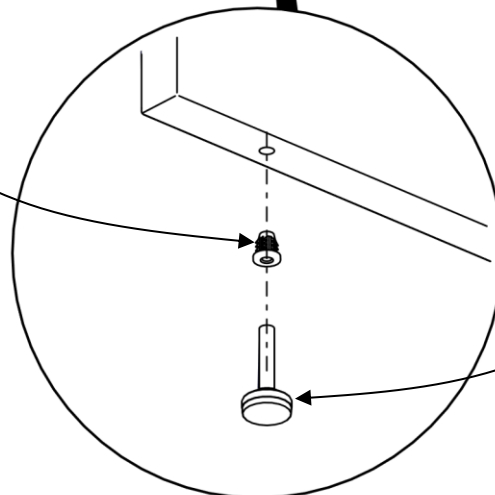
NOTE: Any desk shell or return 48" long or greater will require u-channels or storage to support the worksurface.

Step 1: Install glides into the two end panels.

End Panel
2 required



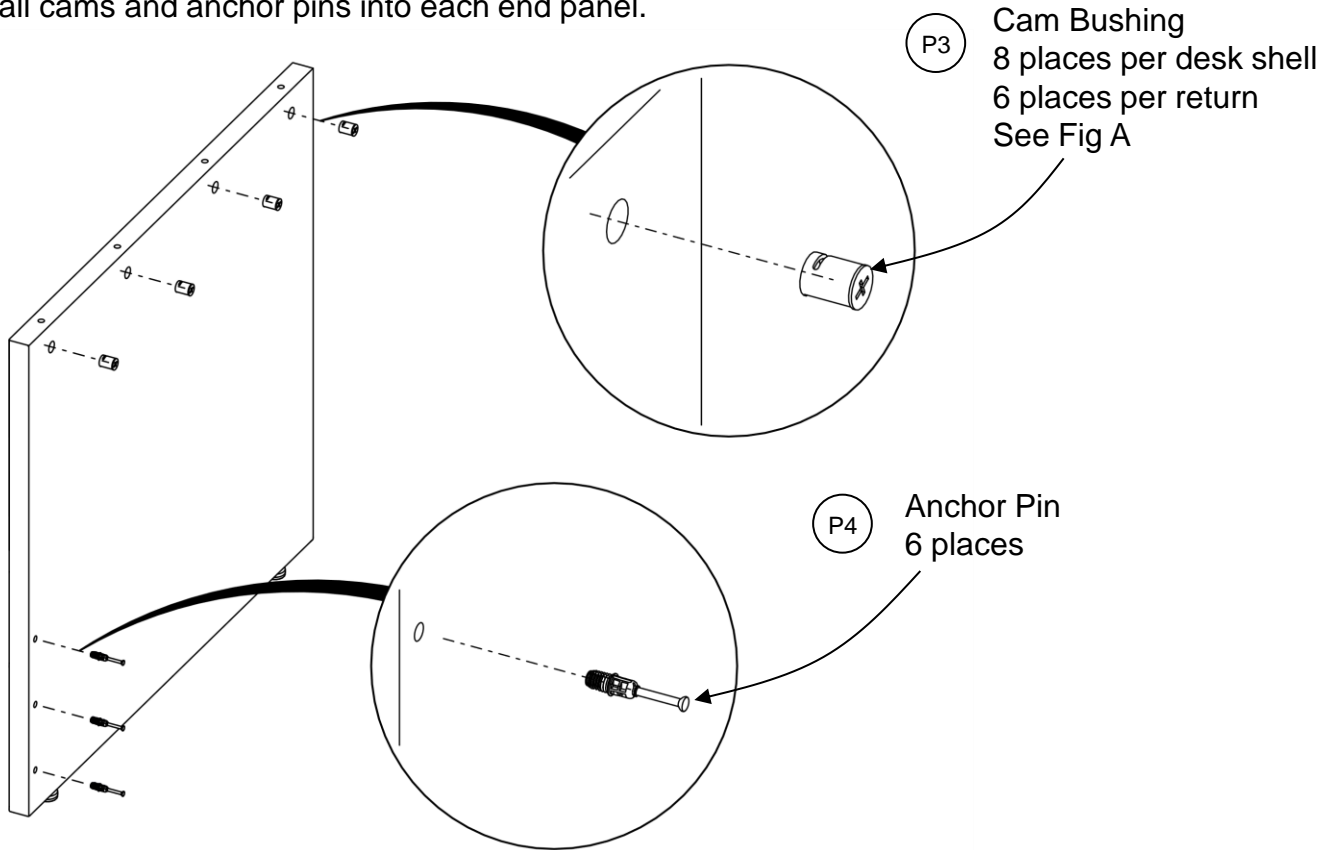
P1 Glide Insert
4 places



Glide
4 places P2

Calibrate Desk Shells and Returns with Access Modesty Installation Instructions

Step 2: Install cams and anchor pins into each end panel.



Dis-engaged cam:
Short arrow must be
facing the pin hole

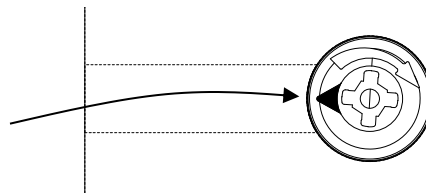
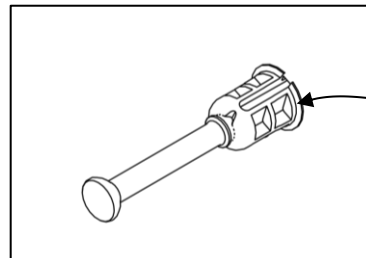
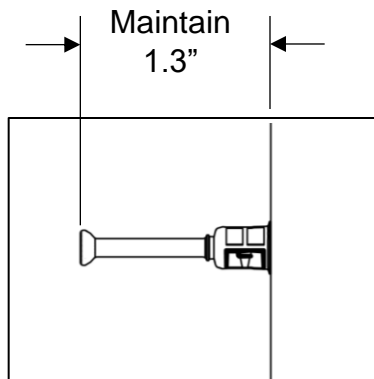


Fig A



When installing anchor pins, be sure this rim remains exposed.

Calibrate Desk Shells and Returns with Access Modesty Installation Instructions

Step 3: Install (6) cam bushing into the modesty panel as shown in Fig A.

P3
Cam Bushing
6 places

Modesty Panel

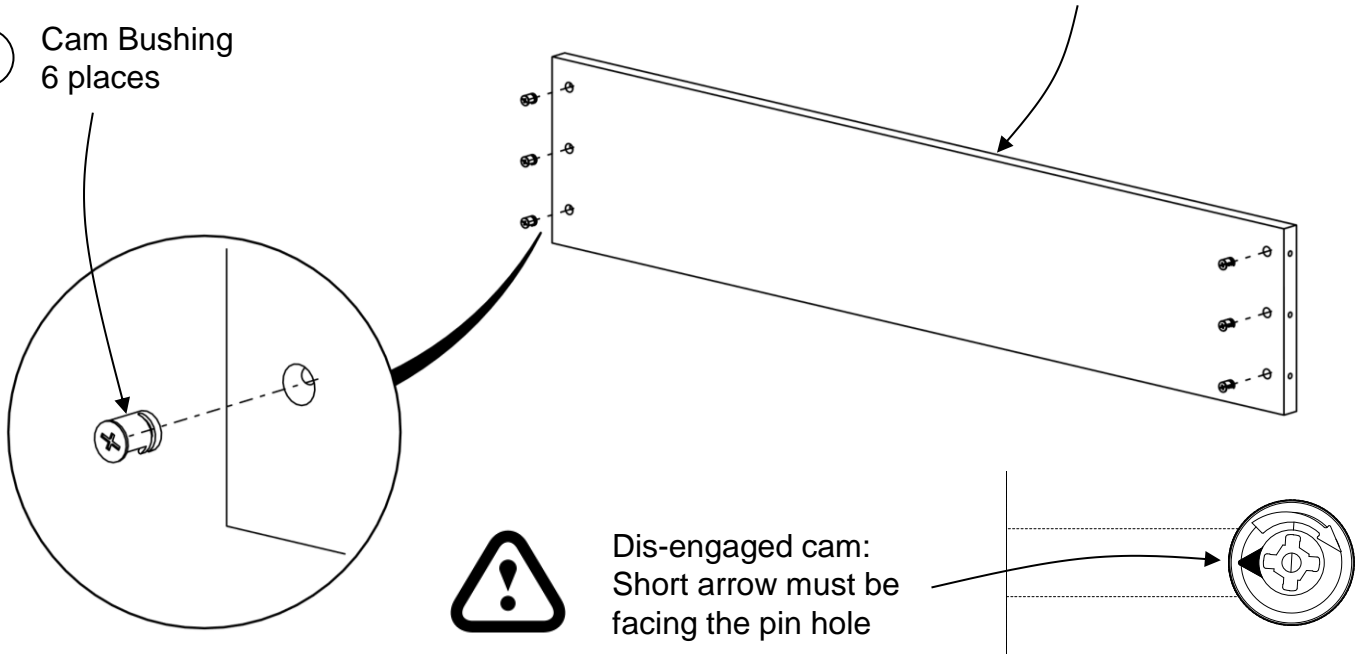


Fig A

Step 4: Align the end panels to the modesty panel and secure as shown in Fig B.

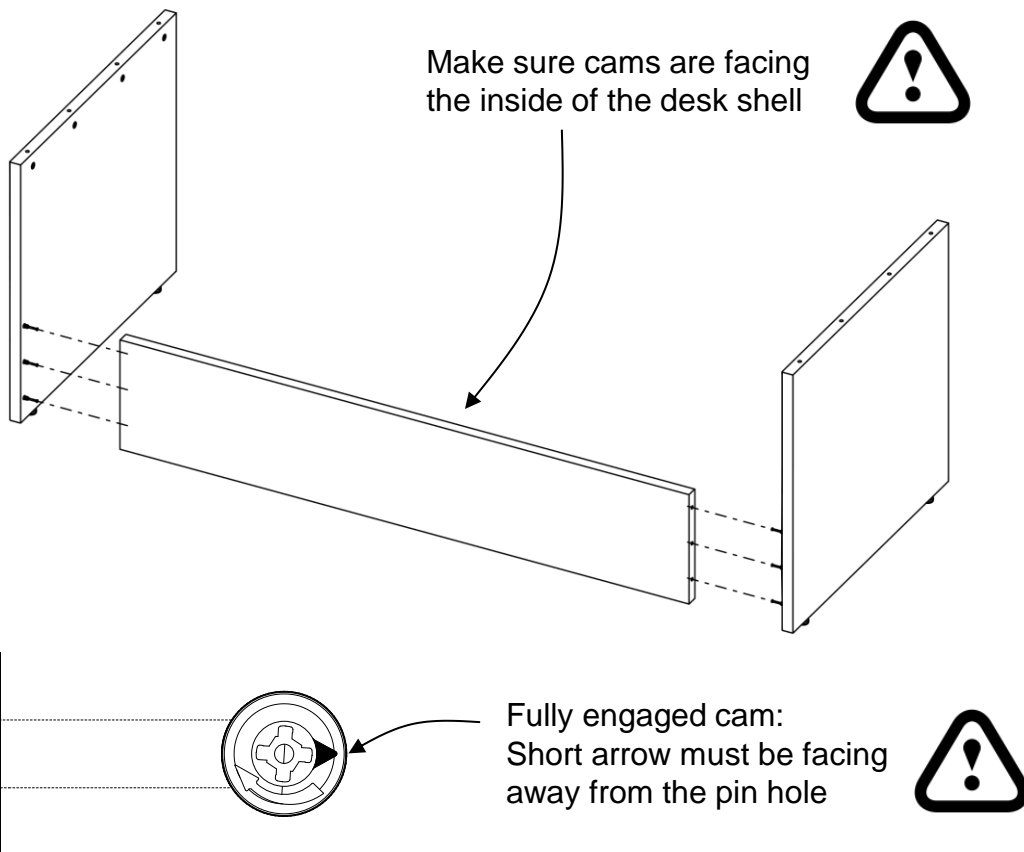
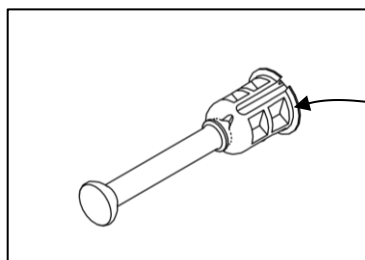
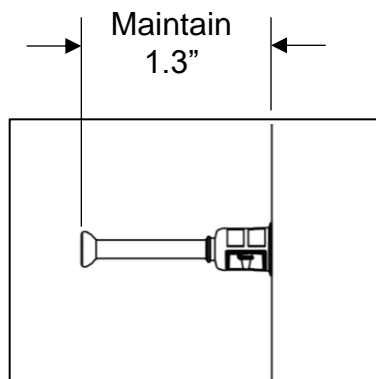
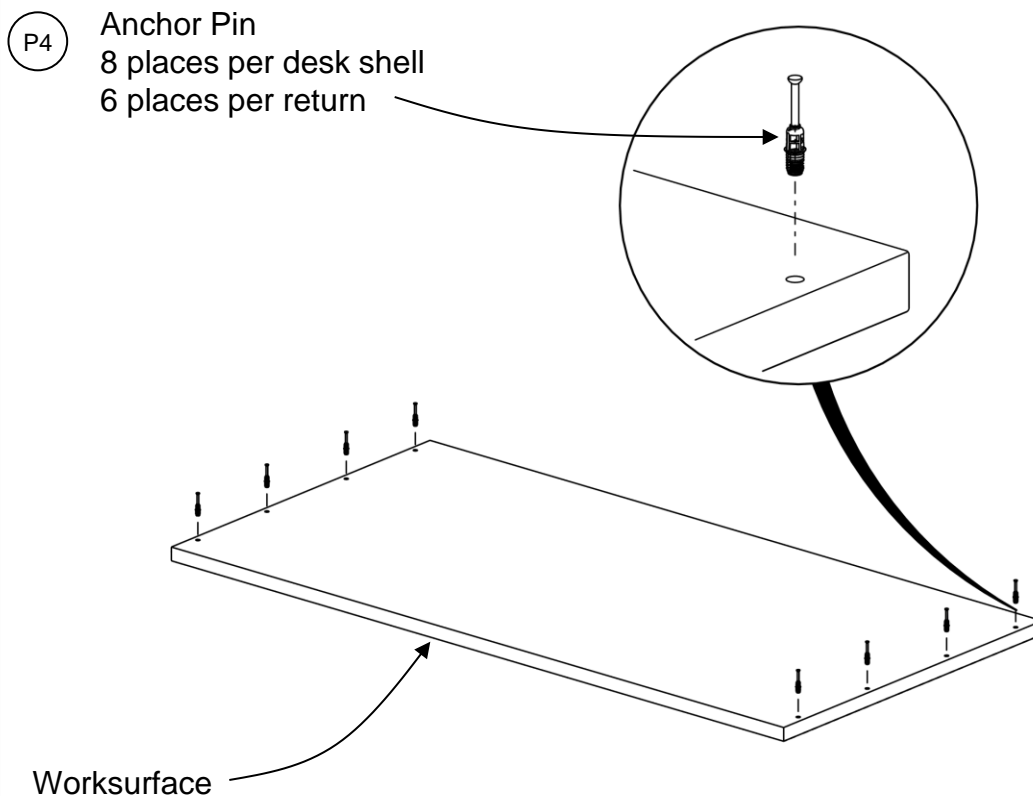


Fig B

Calibrate Desk Shells and Returns Installation Instructions

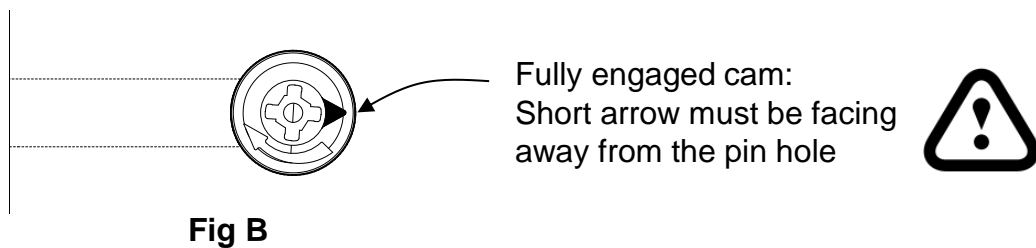
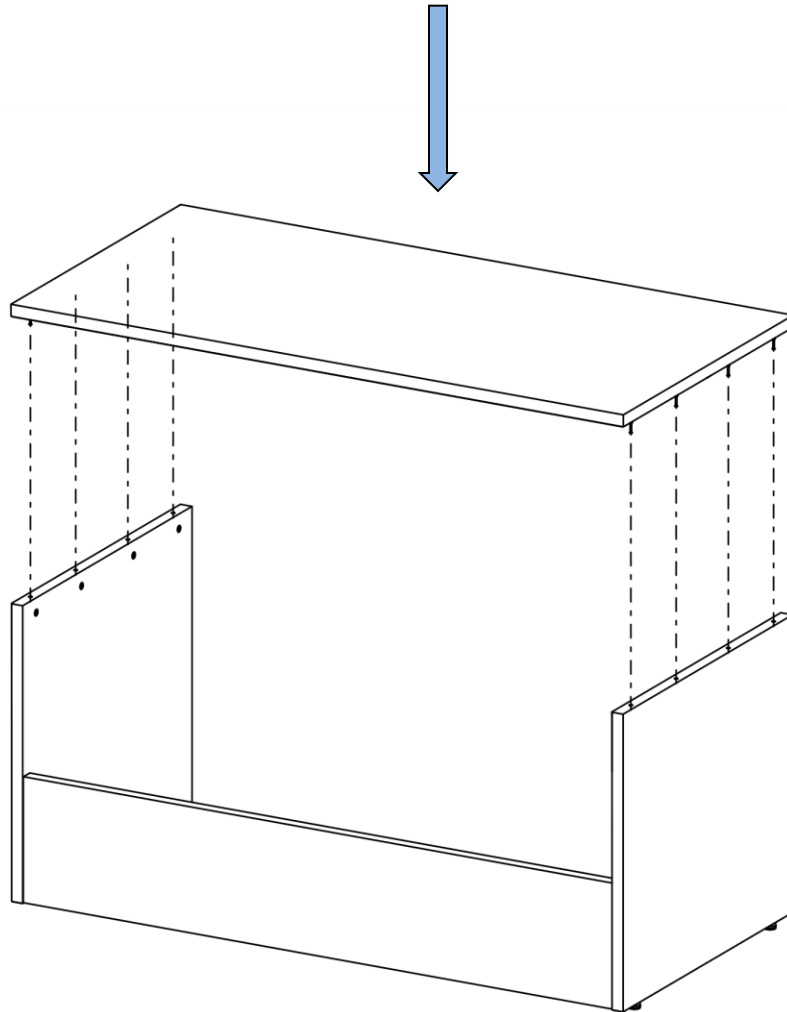
Step 5: Install anchor pins into the worksurface.



When installing anchor pins, be sure this rim remains exposed.

Calibrate Desk Shells and Returns with Access Modesty Installation Instructions

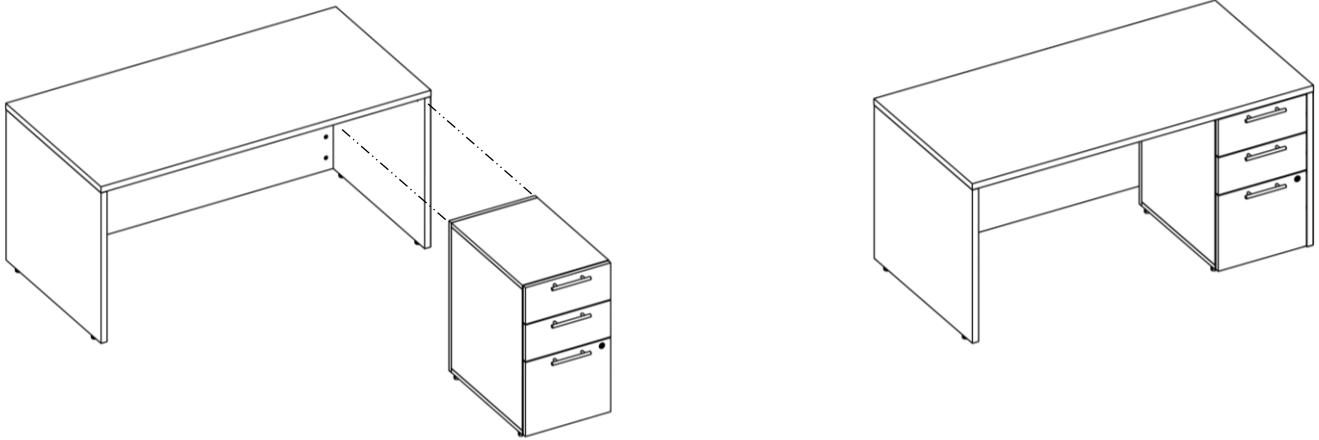
Step 6: Align the end panels to the modesty panel and secure as shown in Fig B.



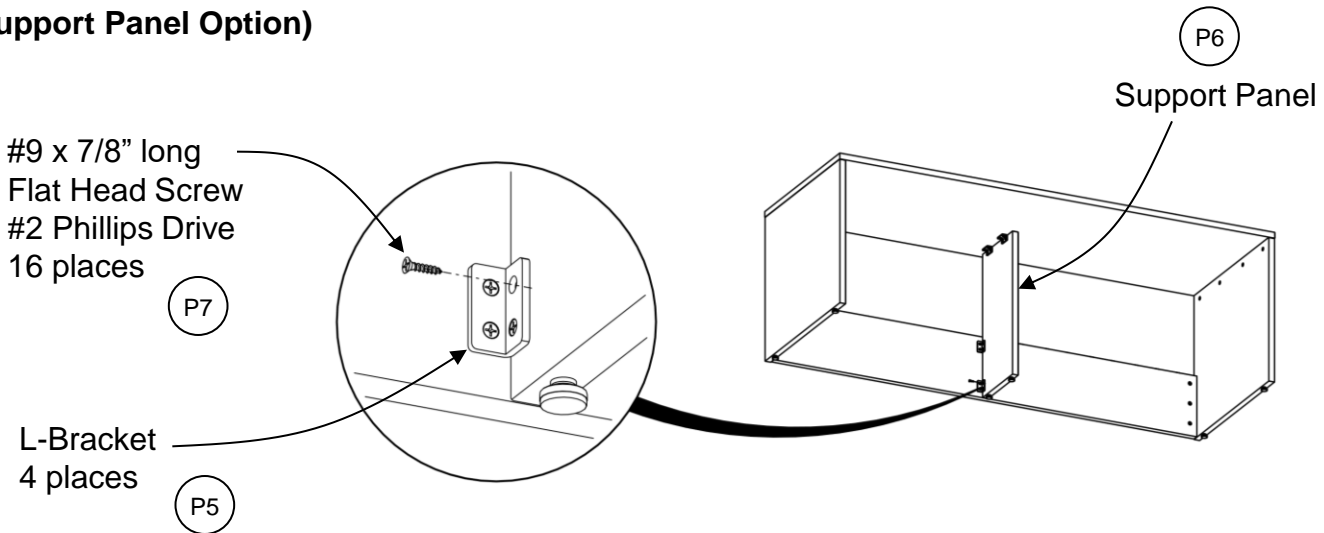
Calibrate Desk Shells and Returns with Access Modesty Installation Instructions

Step 7: Configurations that are 48"W and greater require additional work surface support. Refer to the design spec to install support storage, support panel or worksurface stiffeners.

(Support Storage Option)



(Support Panel Option)



(Worksurface Stiffeners Option)

