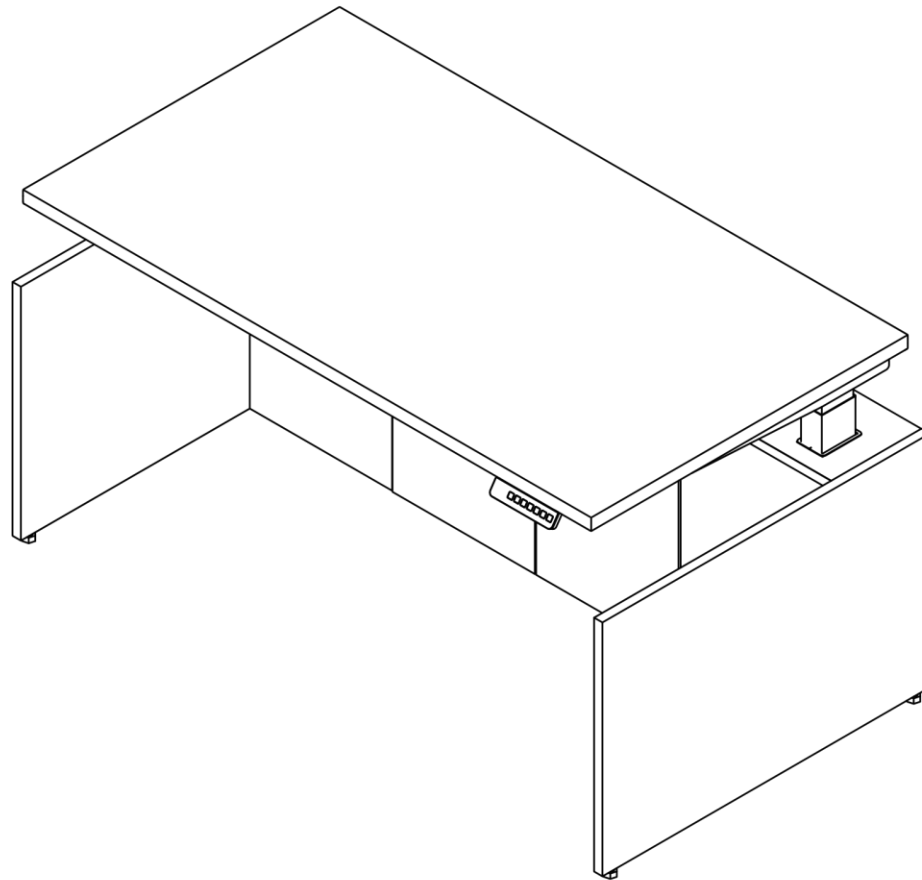

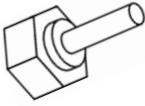
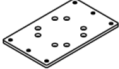


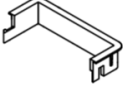
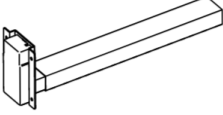
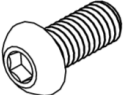
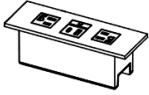



Cantilevered Height Adjustable Desk Installation Instructions

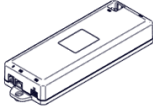

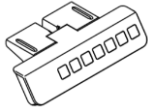

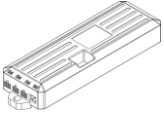

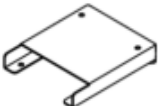
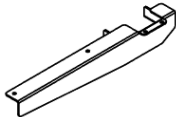
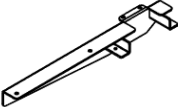

Date	Page No.	Description of change	Name
07/06/2022	1-23	Released	S. Powers
01/30/2023	17-18	Added M5 screws for frame ends to worksurface	S. Powers
08/10/2023	4,9	Updated screw RH-01328905	S. Powers
02/03/2025	12-23	Updated to domino power, new cantilever and support design and 90° control box with 90° cable.	S. Powers
02/18/2025	2,3,4,9,13,21,22	Various typos	S. Powers
03/06/2025	2	Updated part numbers for P1 and P2	S. Powers
04/09/2025	13,22	Added details for using 90° cables	S. Powers
04/22/2025	20	Added flat plates	S. Powers
10/17/2025	2	Updated part numbers	S. Powers





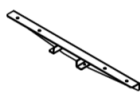



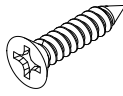

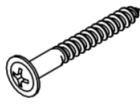
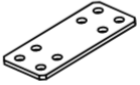

Cantilevered Height Adjustable Desk Installation Instructions

Item	Replacement Part number	Circle Sheet Part Number	Description	Image
P1	RH-1420TI-C	RH-1420TI-C	1/4-20 Glide Insert	
P2	RH-CGLIDE	RH-CGLIDE	1/4-20 Glide	
P3	RWFS-BBP	RWFS-BBP	Base Plate	
P4	RH-WSFP1034	RH-WSFP1034	#10 x 3/4" Flat Head Screw	
P5	RH-DU325-I	RH-DU325-I	Anchor Pin	
P6	RL-PLG2	RL-PLG2	Trim Ring	
P7	RWFS-2L2SE-ECx (x = S, W or B)	RWFS-2L2SE-ECx (x = S, W or B)	Height Adjustable Column 50mm x 80mm	
P8	RH-94500A315	RH-94500A315	M6 x 14mm Button Head Cap Screw	
P9	E-DOMINO	RE-DOMINO-xx (xx = BK, MS or W)	Power Unit	
P10	RH-90033A153	RH-90033A153	#6 x 5/8" Flat Head Screw	

Cantilevered Height Adjustable Desk Installation Instructions

Item	Replacement Part number	Circle Sheet Part Number	Description	Image
P11	RT-2LCB-M	RT-2LCB-M	2-Input Control Box	
P12	RT-2LCK-90	RT-2LCK-90	1.3M 90° Cable	
P13	RL-PHS	RL-PHS	Hand Switch	
P14	RL-JCPWRCRD	RL-JCPWRCRD	Power Cord	
P15	RL-3LCB	RL-3LCB	3-Input Control Box	
P16	RL-2LCK	RL-2LCK	1.3M Straight Cable	
P17	T-PBMLSLLCS	DD-PBMLSLLCS	Height Adjustable Column Support Bracket	
P18	WFS-CT24R-ESF	RWFS-CT24R-ESF	24" Cantilever Right	
	WFS-CT30R-ESF	RWFS-CT30R-ESF	30" Cantilever Right	
P19	WFS-CT24L-ESF	RWFS-CT24L-ESF	24" Cantilever Left	
	WFS-CT30L-ESF	RWFS-CT30L-ESF	30" Cantilever Left	
P20	RH-91420A425	RH-91420A425	M6 x 14mm Flat Head Screw	

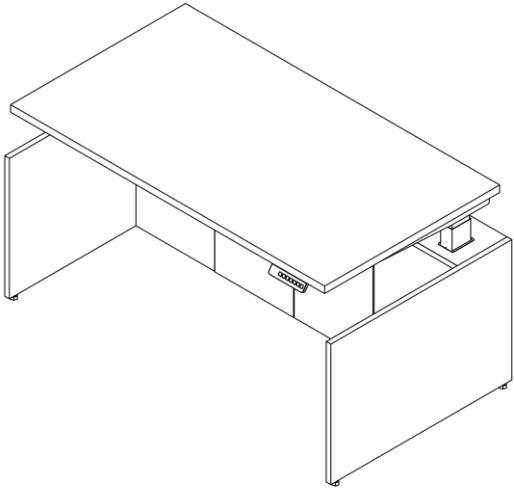
Cantilevered Height Adjustable Desk Installation Instructions

Item	Replacement Part number	Circle Sheet Part Number	Description	Image
P21	RT-5FE106L-xx (xx = BK, WT or MS)	RT-5FE106L-xx (xx = BK, WT or MS)	Frame End A	
P22	RT-5FE106R-xx (xx = BK, WT or MS)	RT-5FE106R-xx (xx = BK, WT or MS)	Frame End B	
P23	RWFS-575MMSBB	RWFS-575MMSBB	Return Cantilever	
P24	RP-PSS1-A	RP-PSS1-A	#10 X 1" Pan Head Screw	
P25	RH-SMZFP142B	RH-SMZFP142B	#14 x 2" Flat Head Screw	
P26	WPS-HSxx	RWPS-HSxx	U-Channel	
P27	RH-QS0978	RH-QS0978	#9 x 7/8" Flat Head Screw	
P28	RS-HSFDU812	RS-HSFDU812	#8 X 1/2" Pan Head Screw	
P29	RH-01328905	RH-01328905	#8 x 1 1/8" Round Washer Head Screw	
P30	RWPS-FP	RWPS-FP	Flat Plate	
P31	RWPS-FPCVR	RWPS-FPCVR	Flat Plate Cover	

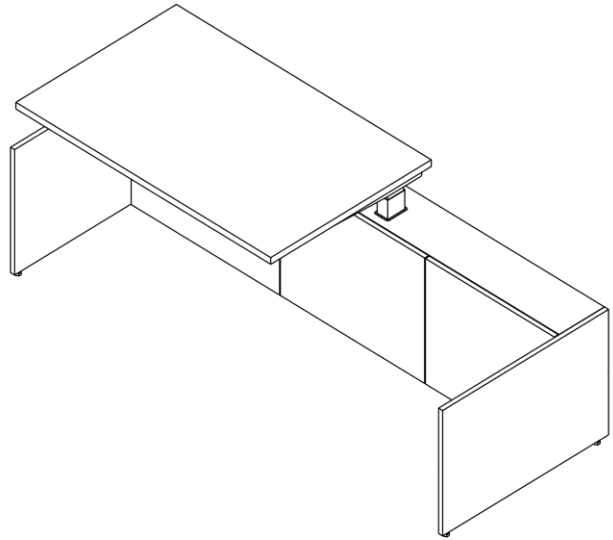
Cantilevered Height Adjustable Desk Installation Instructions

Installation note:

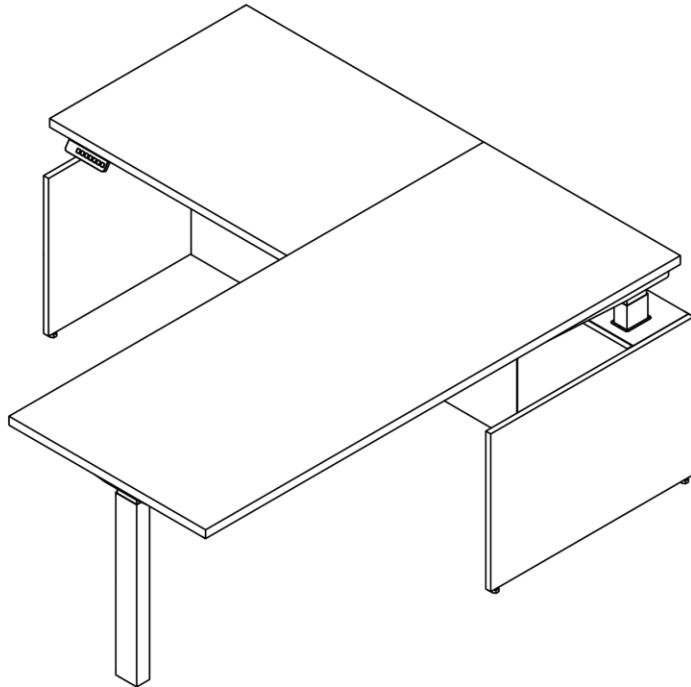
There are 3 types of Cantilevered Height Adjustable Desk assemblies. All units assemble in the same manner.



Cantilevered Height Adjustable Desk



Cantilevered Height Adjustable Desk
for Run-offs

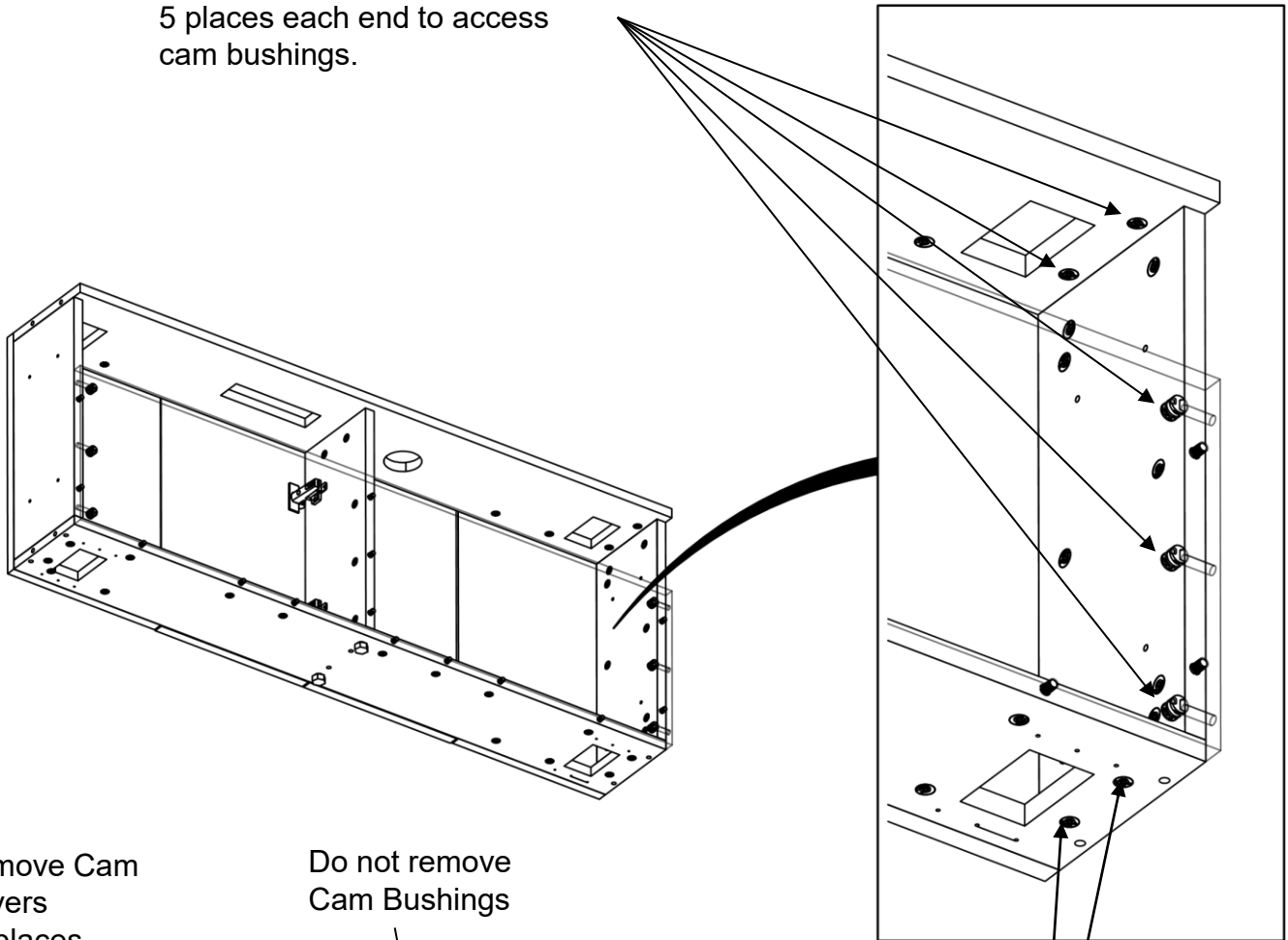


Cantilevered 3 Leg Height Adjustable Desk

Cantilevered Height Adjustable Desk Installation Instructions

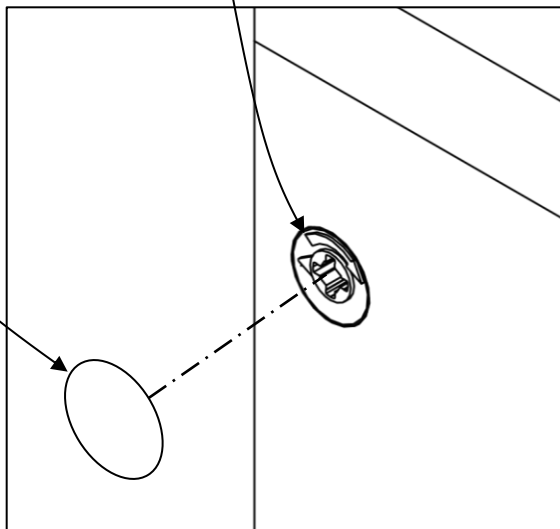
Step 1: Remove cam covers in 14 places to access cam bushings. Do not remove cam bushings.

Remove these cam covers from the inside of the unit 5 places each end to access cam bushings.



Remove Cam Covers
14 places

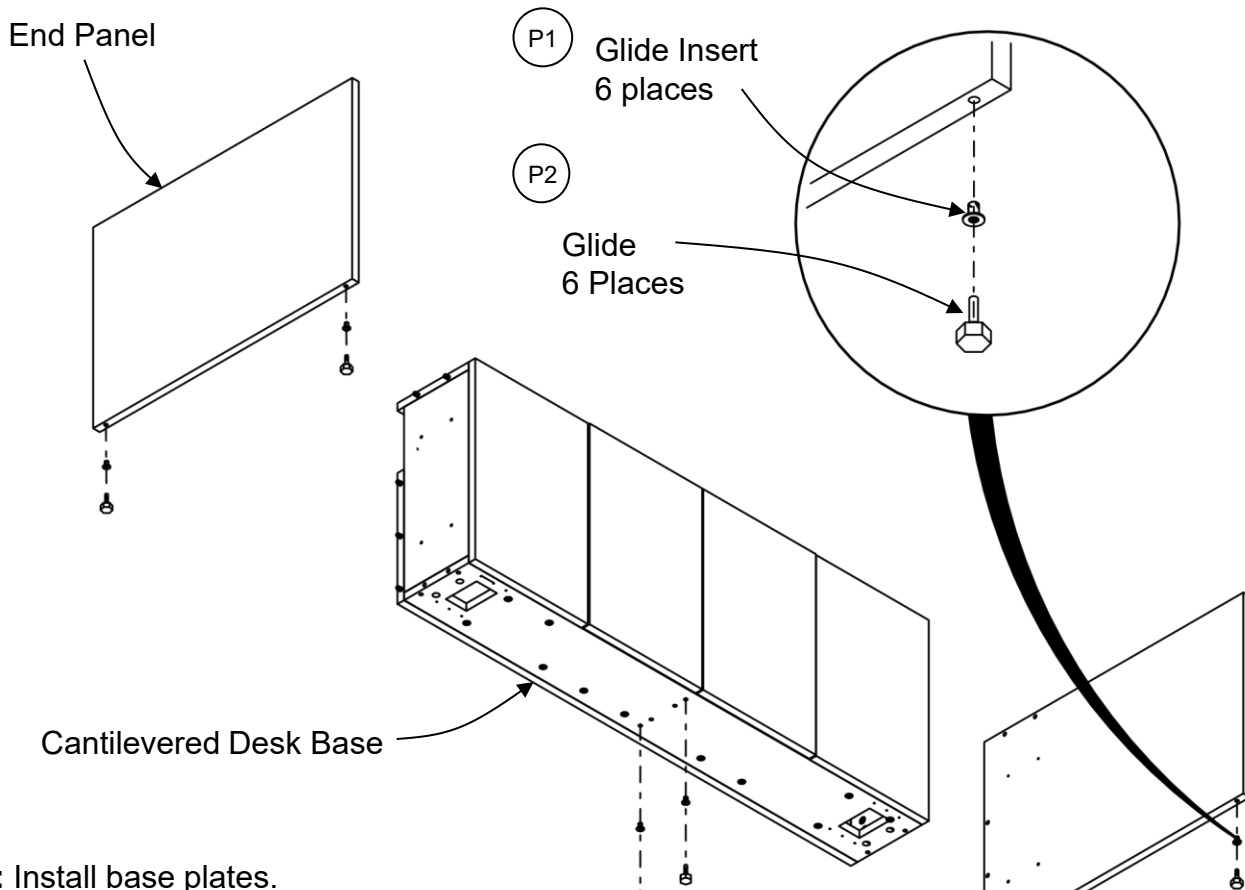
Do not remove
Cam Bushings



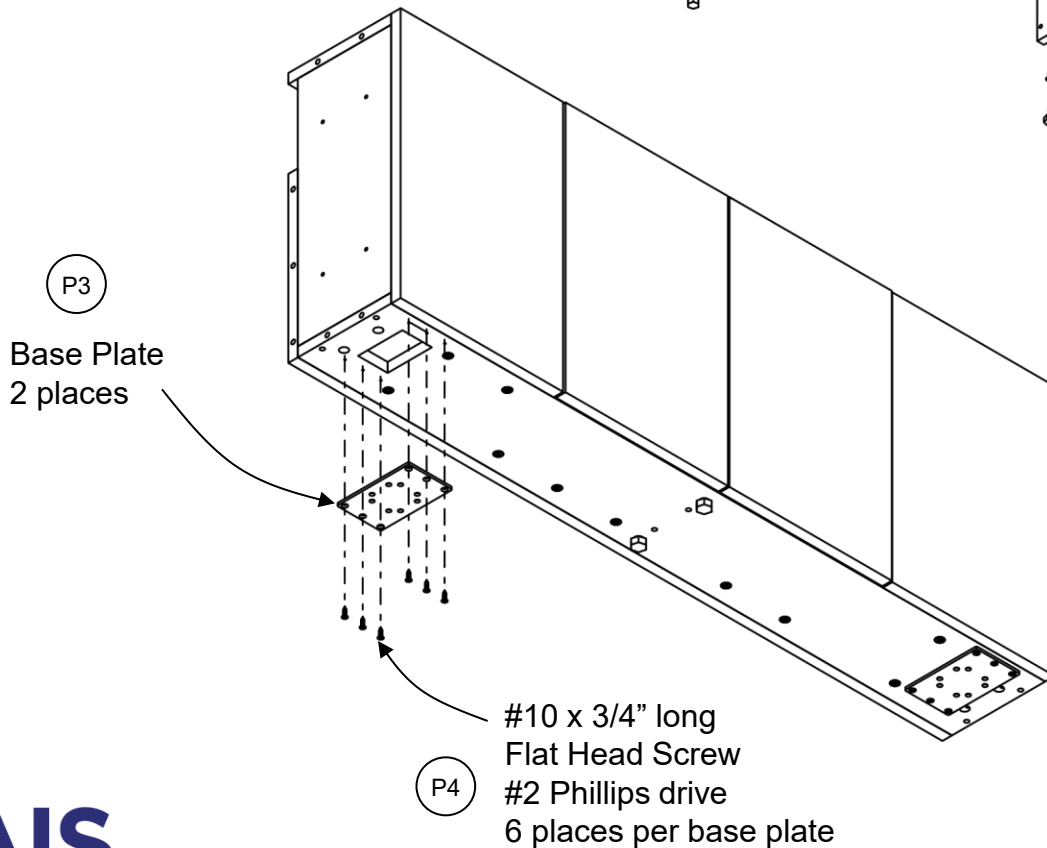
Remove these cam covers from the bottom of the unit 2 places each end to access cam bushings.

Cantilevered Height Adjustable Desk Installation Instructions

Step 2: Install glide inserts and glides into the base unit and both end panels.

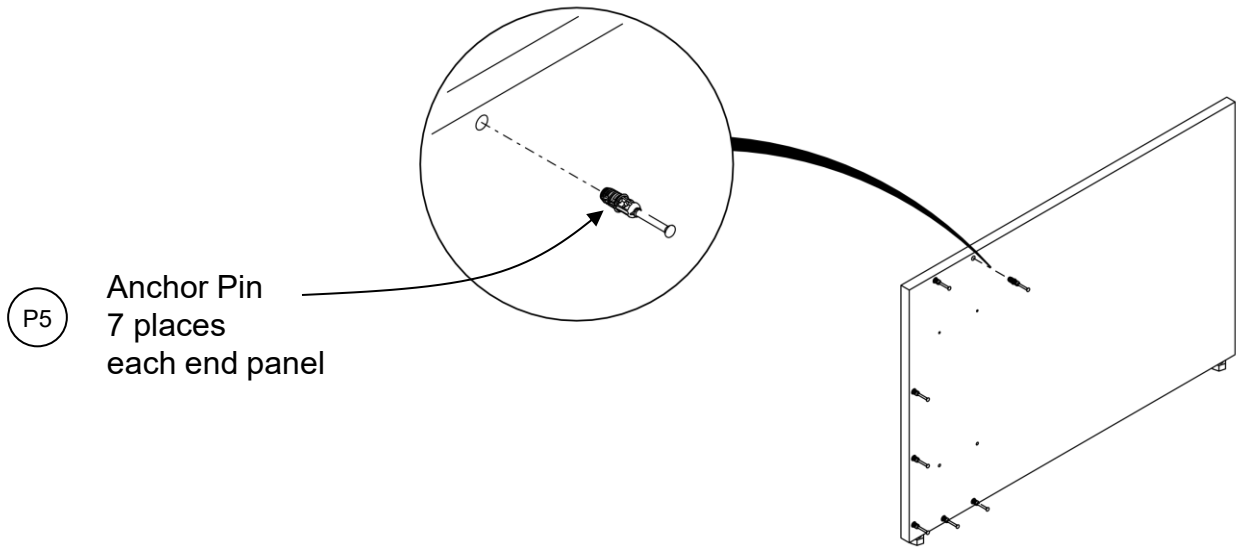


Step 3: Install base plates.

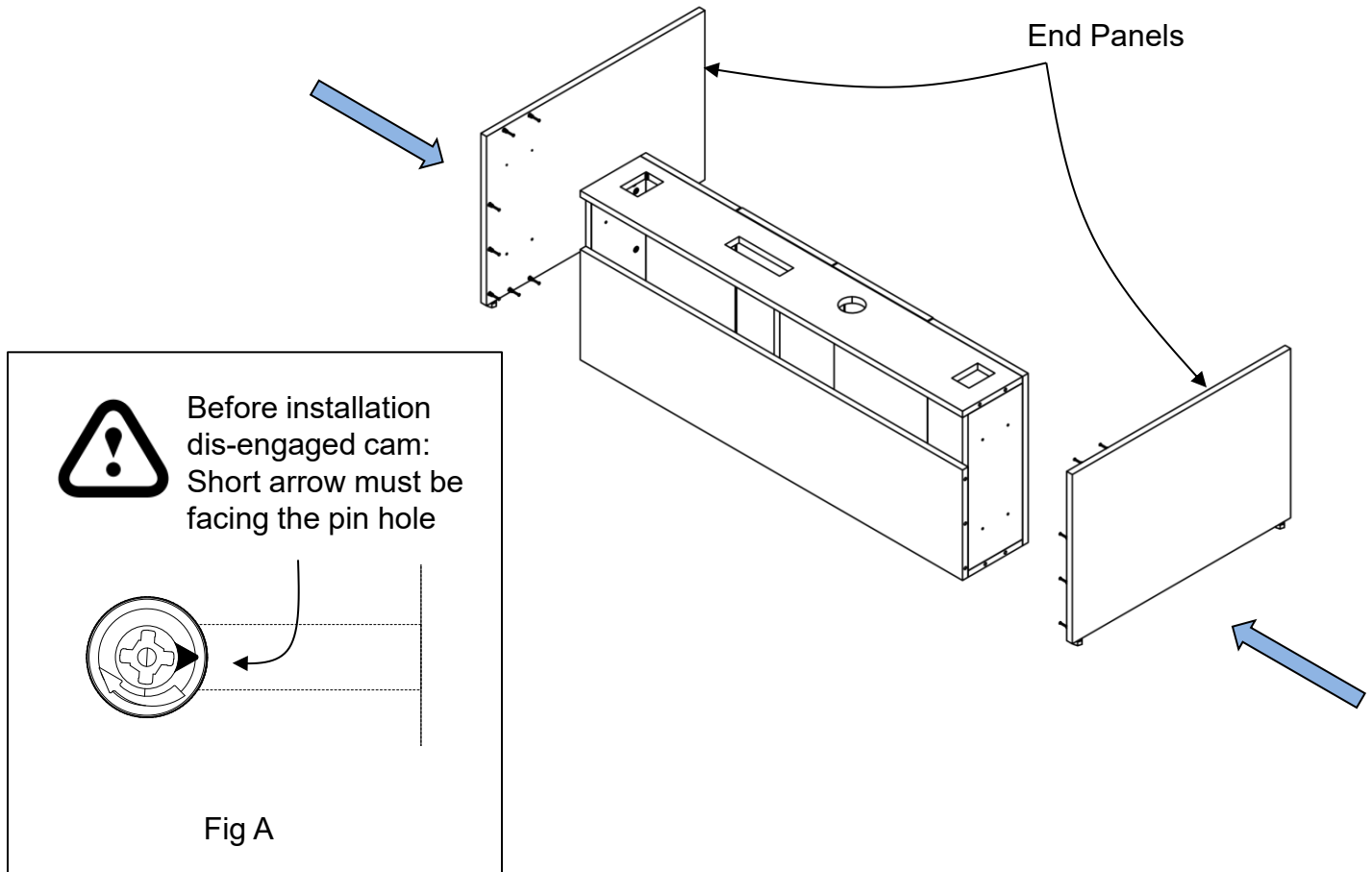


Cantilevered Height Adjustable Desk Installation Instructions

Step 4: Install (7) anchor pins into both end panels.

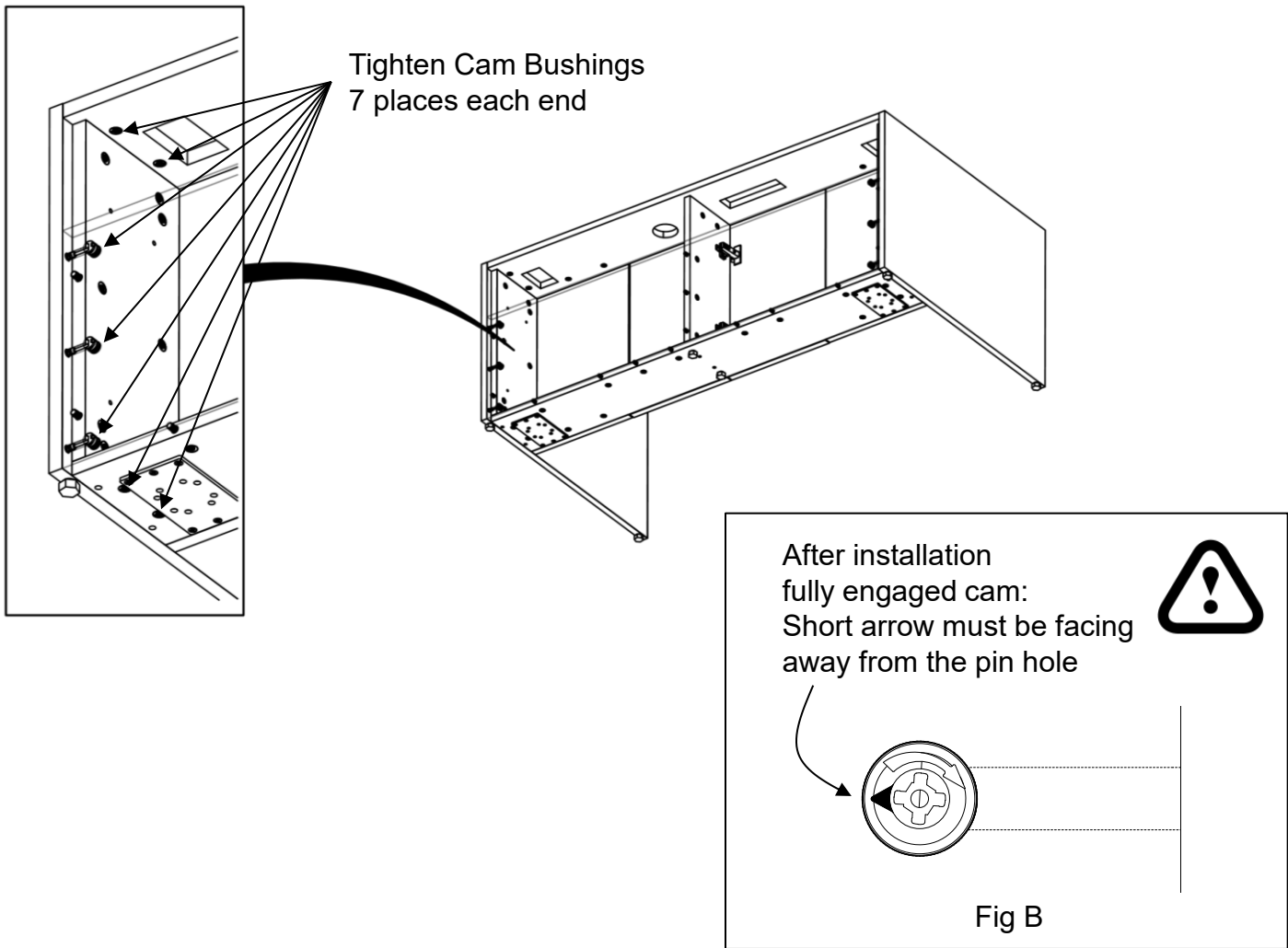


Step 5a: Make sure the cam bushings are positioned as shown in Fig A. Align the both end panel assemblies (14) anchor pins to the holes.

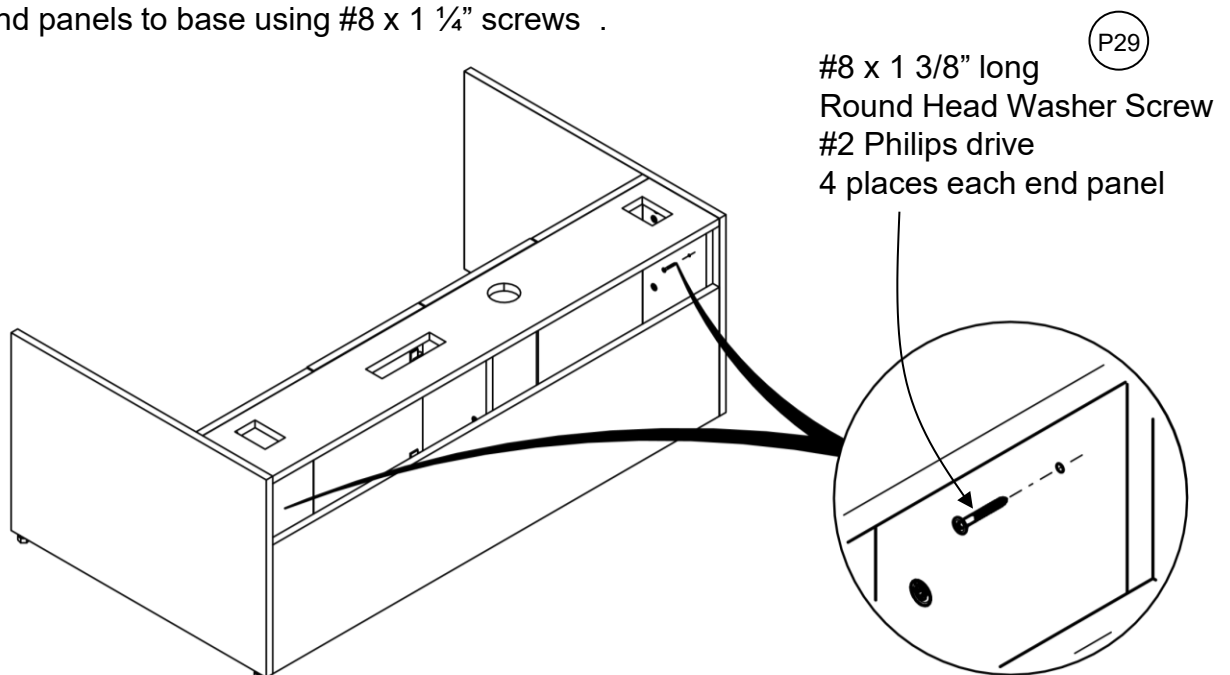


Cantilevered Height Adjustable Desk Installation Instructions

Step 5b: Tighten all 14 cam bushings as shown in Fig B.

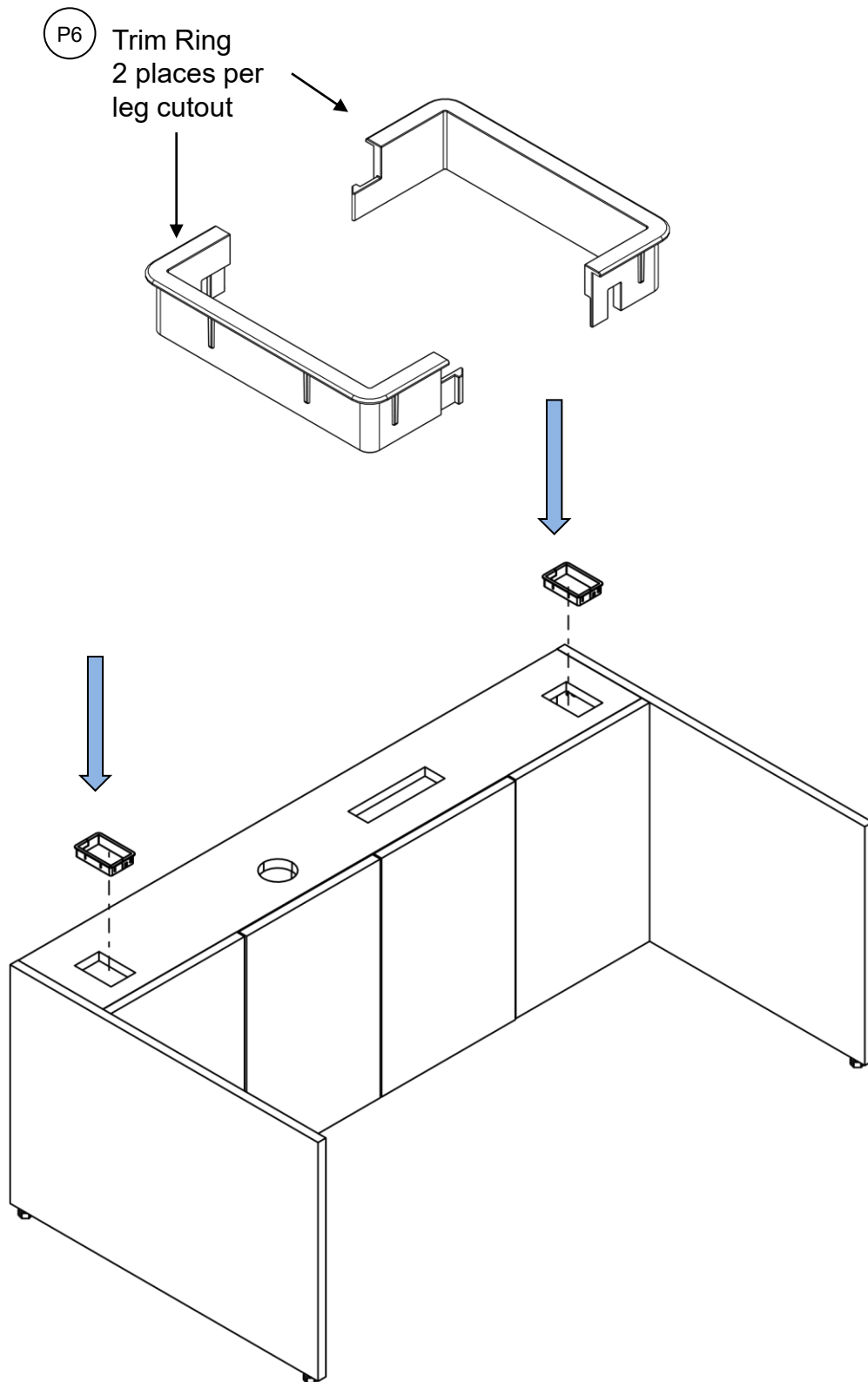


Step 6: Secure end panels to base using #8 x 1 1/4" screws .



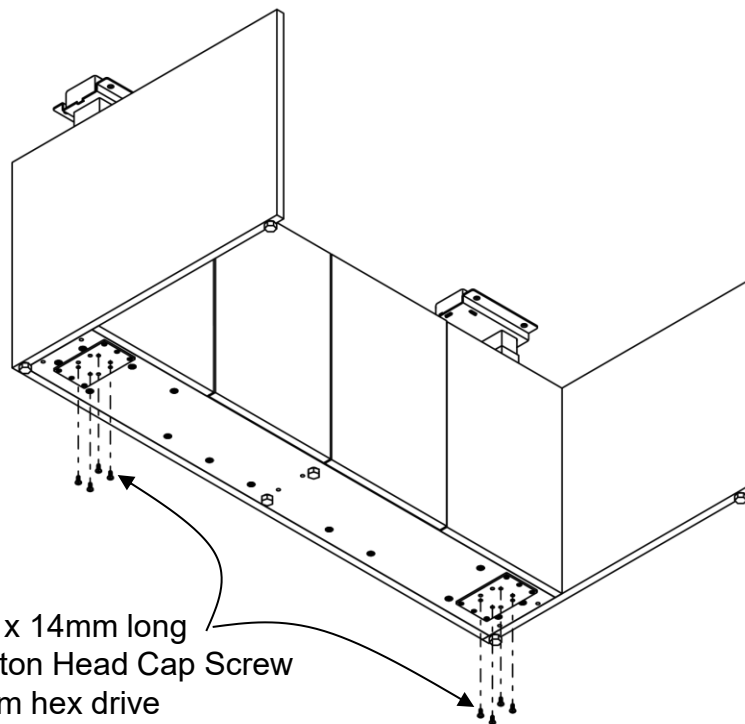
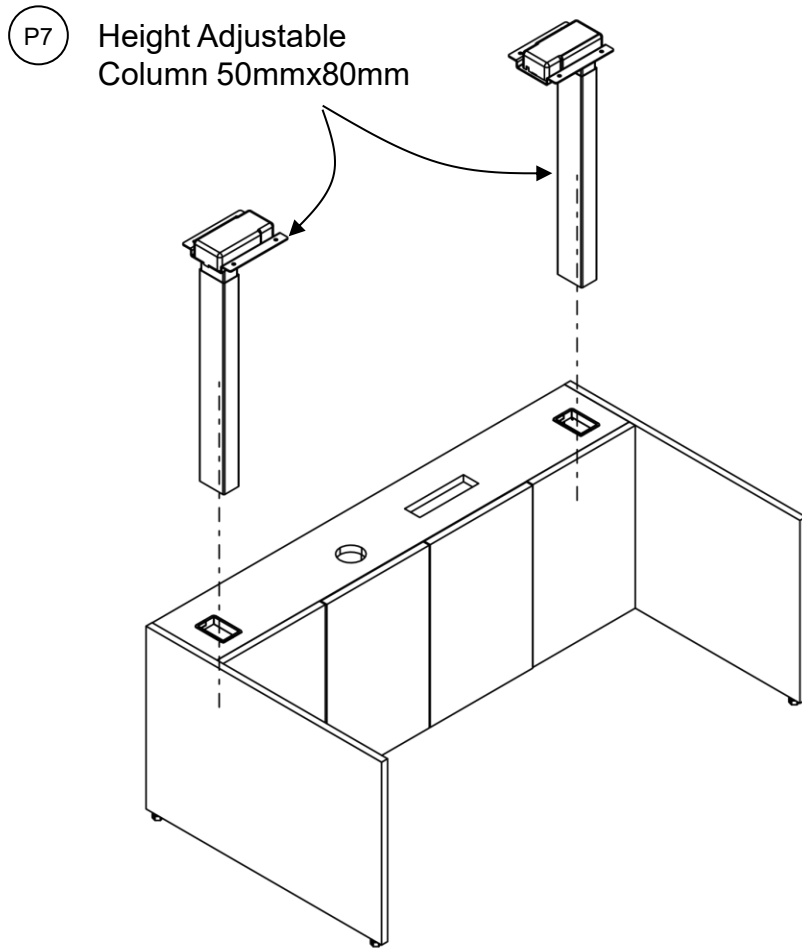
Cantilevered Height Adjustable Desk Installation Instructions

Step 7: Snap trim rings together and install into the leg cutouts in the base.



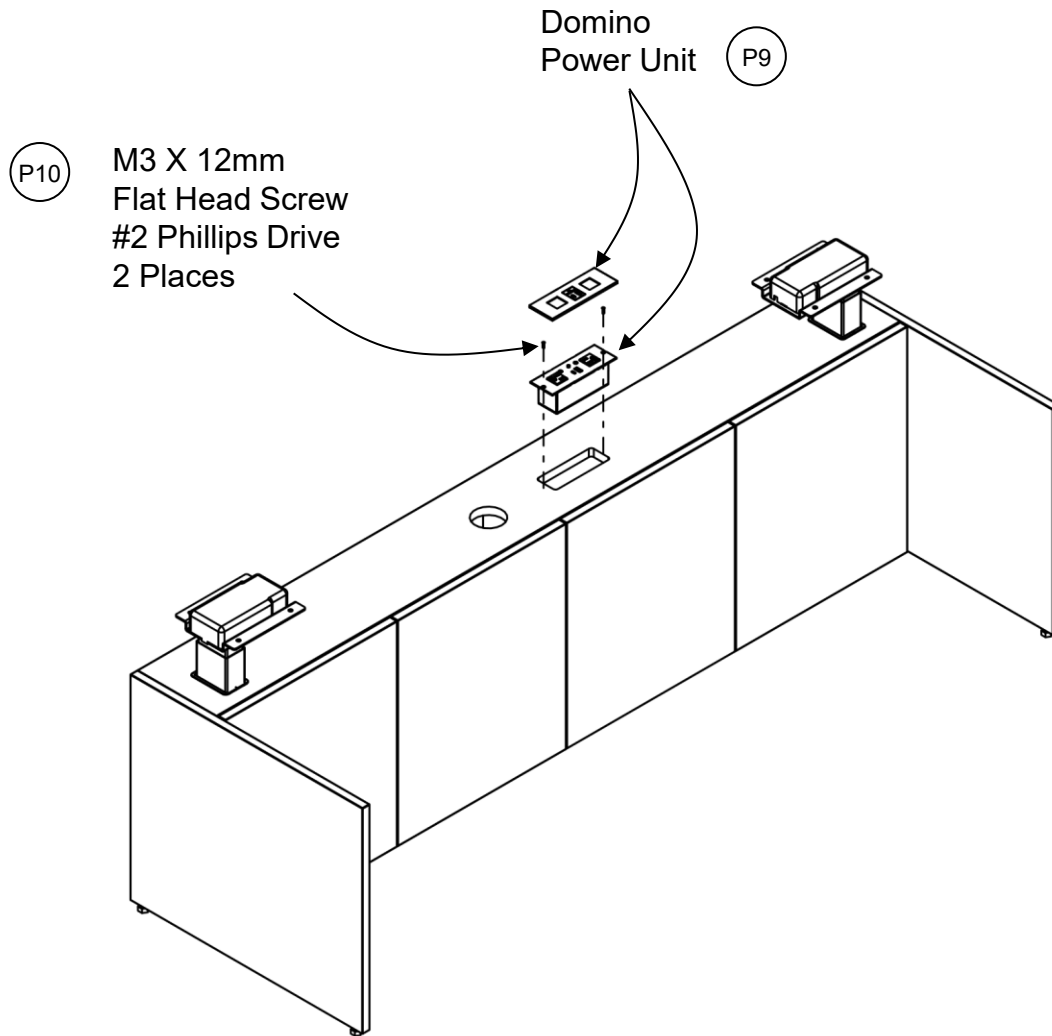
Cantilevered Height Adjustable Desk Installation Instructions

Step 8: Install the height adjustable columns into the base and secure using M6 x 14mm screws.



Cantilevered Height Adjustable Desk Installation Instructions

Step 9 (optional): Install power unit using #6 x 5/8" screws.



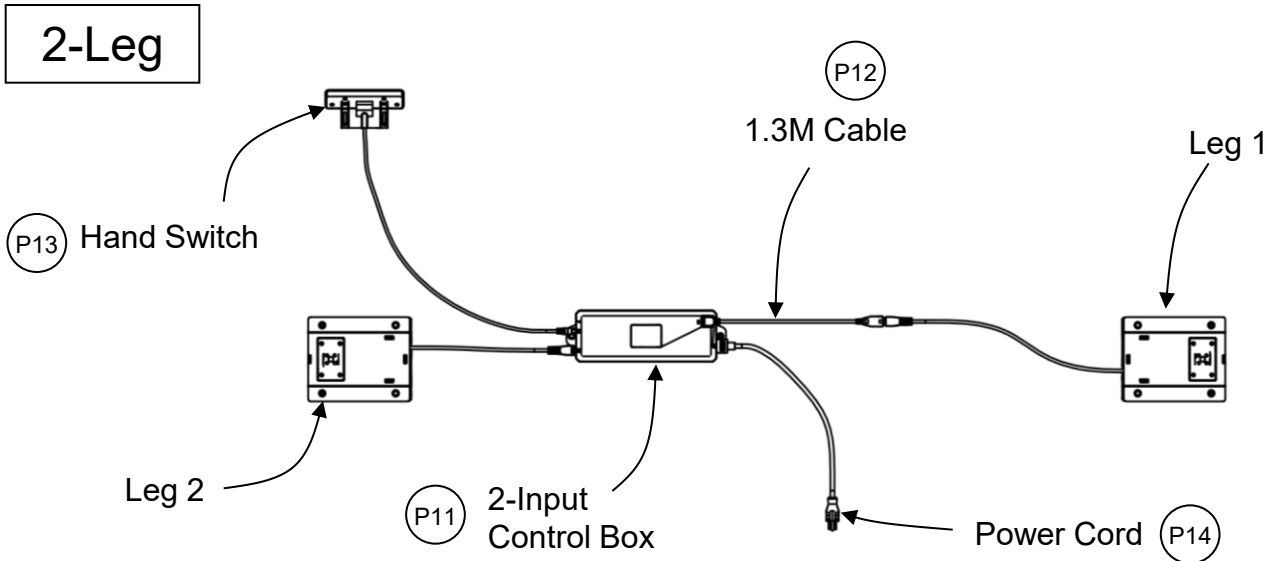
Cantilevered Height Adjustable Desk Installation Instructions

Step 10a (for 2 leg configurations):

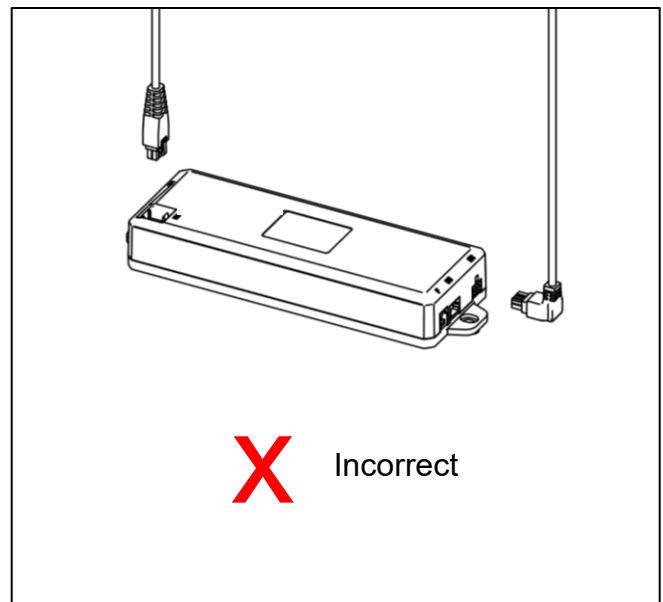
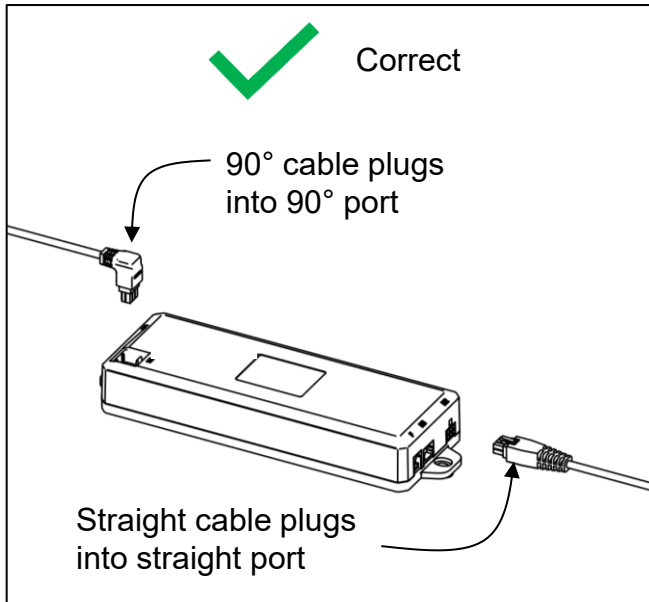
Temporarily connect all height adjustable electrical components as shown.

1. Connect Leg 1 to Control Box Port M1 using the 1.3M cable.
2. Connect Leg 2 to Control Box Port M2.
3. Connect the Hand Switch to Control Box Port HS
4. Connect the Power Cord to the Control Box

Note: Rest the control box on the base. The control box must be motionless to properly function.



Note: Control boxes feature ports on either the top face (90° connection shown below) or on the side (straight connection). You may be supplied both 90° and straight cables. Make sure to use the 90° cable in the 90° port only and use the straight cable in the straight port only, as shown below.



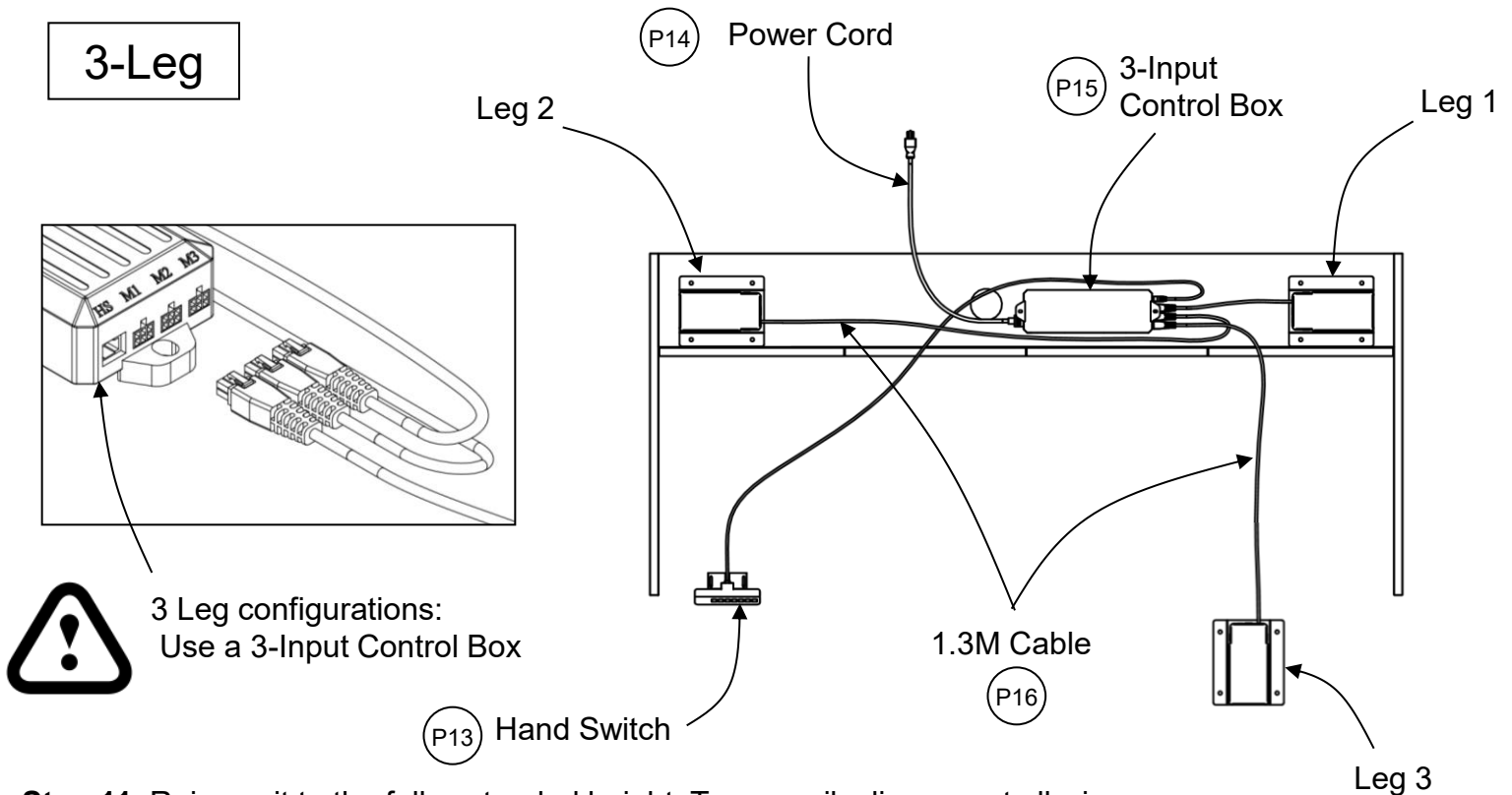
Cantilevered Height Adjustable Desk Installation Instructions

Step 10b (for 3-leg configurations):

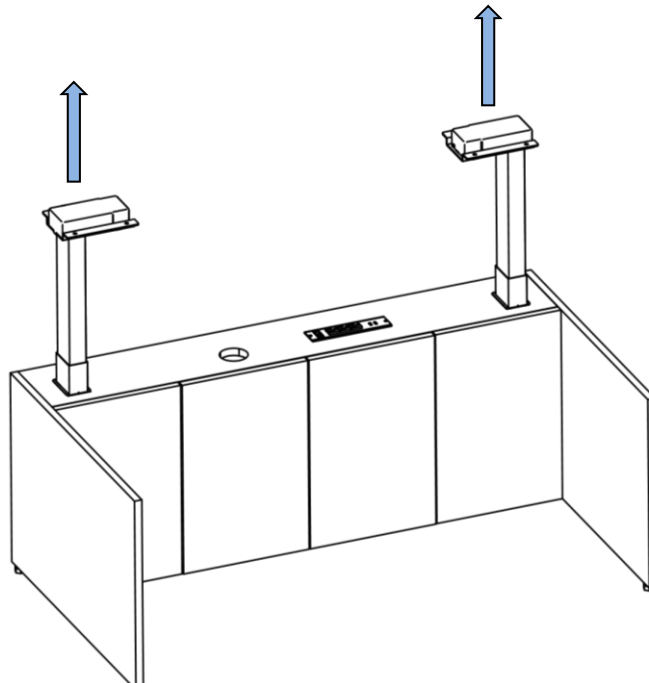
Temporarily connect all height adjustable electrical components as shown.

1. Connect Leg 1 to Control Box Port M1.
2. Connect Leg 2 to Control Box Port M2 using a 1.3M cable.
3. Connect Leg 3 to Control Box Port M3 using a 1.3M cable
4. Connect the Hand Switch to Control Box Port HS.
5. Connect the Power Cord to the Control Box.

Note: Rest the control box on the base. The control box must be motionless to properly function.

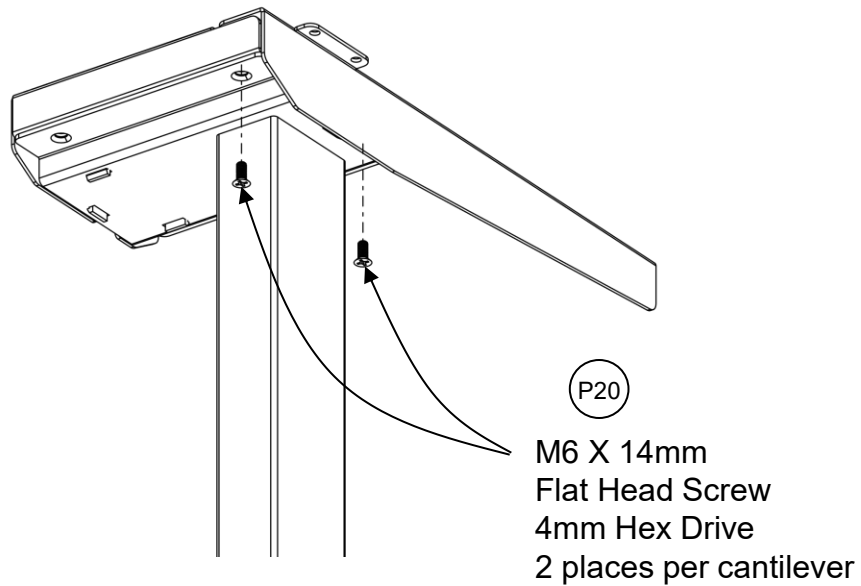
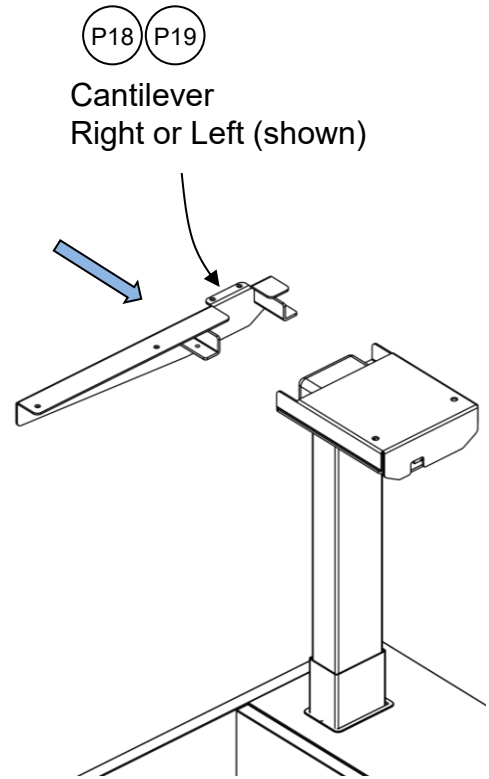
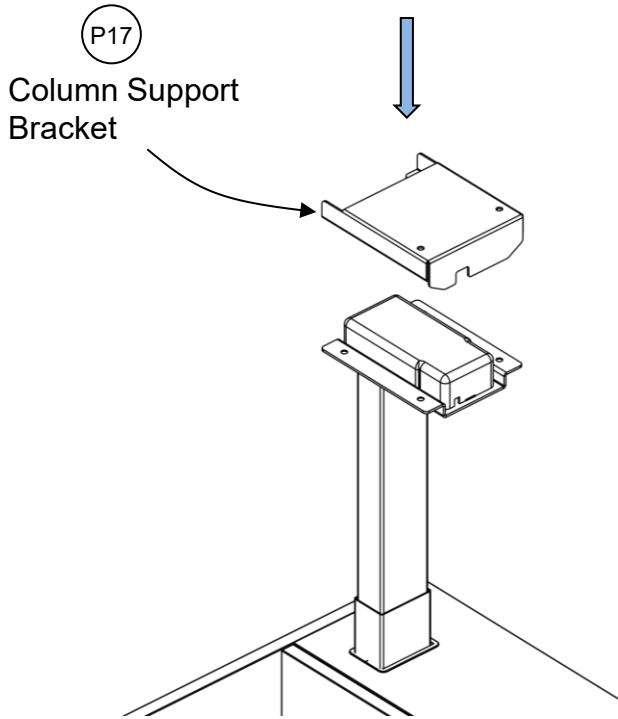


Step 11: Raise unit to the fully extended height. Temporarily disconnect all wires.



Cantilevered Height Adjustable Desk Installation Instructions

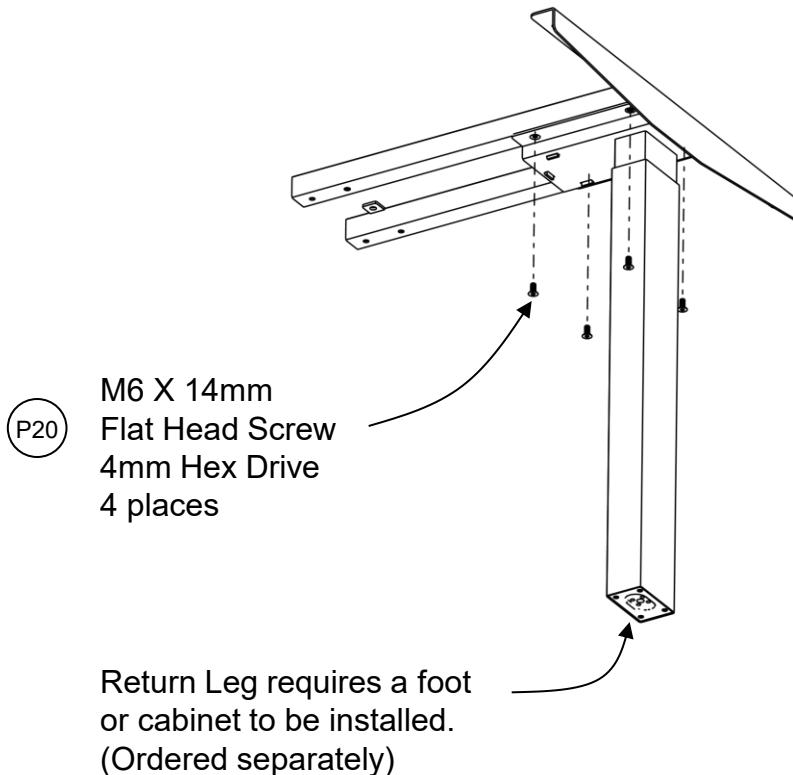
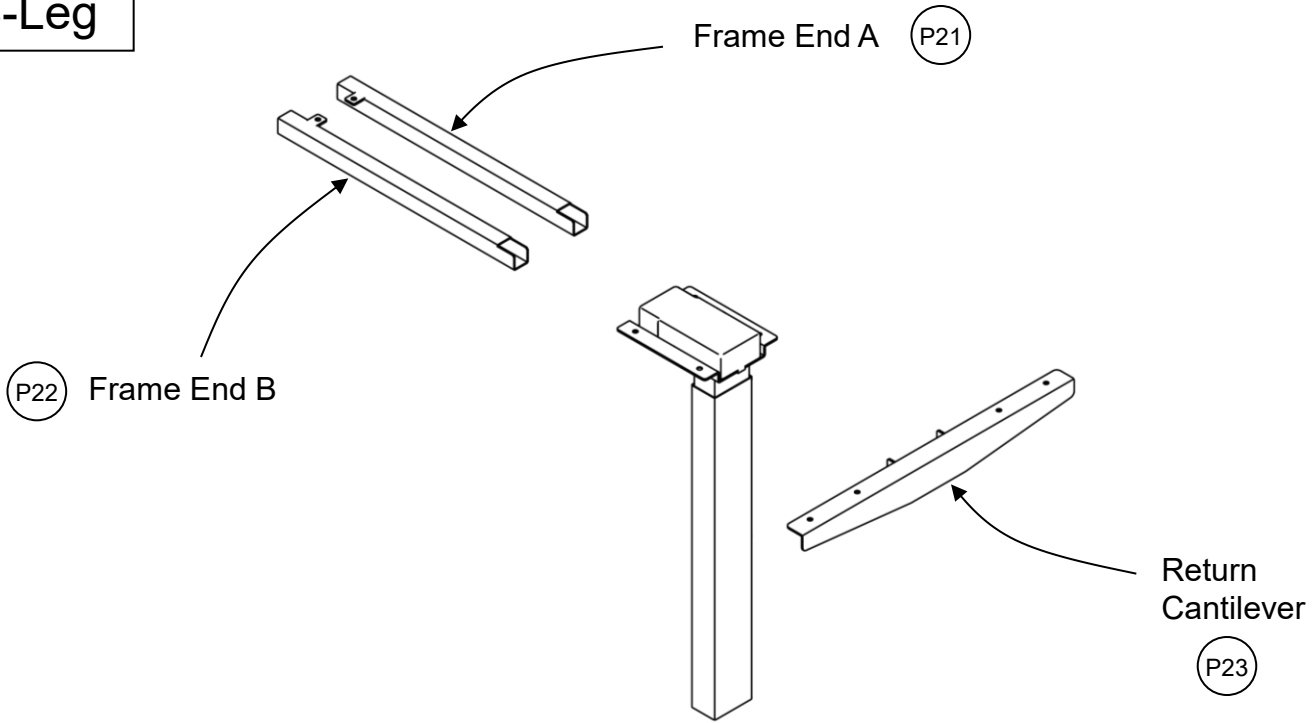
Step 12: Install the worksurface support components to the height adjustable columns.



Cantilevered Height Adjustable Desk Installation Instructions

Step 13 (for 3 leg configurations): Install the worksurface support components to the height adjustable columns for the return leg.

3-Leg

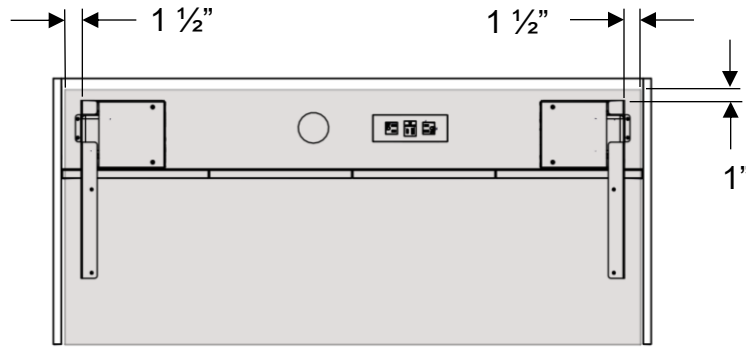


Cantilevered Height Adjustable Desk Installation Instructions

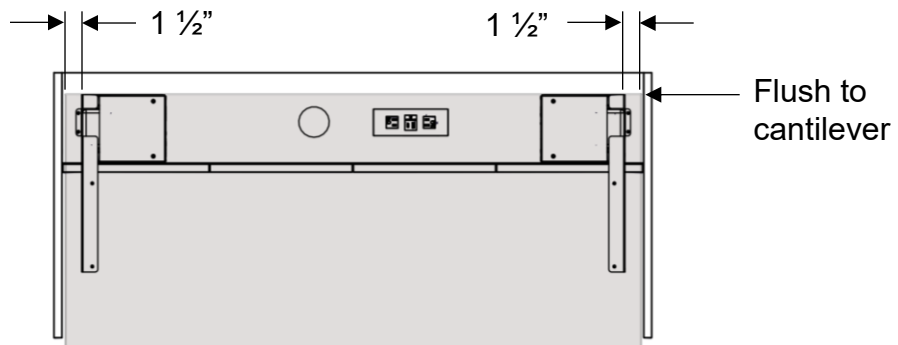
Step 14a: Position the worksurface on the height adjustable columns.

2-Leg

Worksurface Installation Option 1:
For standard installation,
worksurface to be 1" from cantilever.



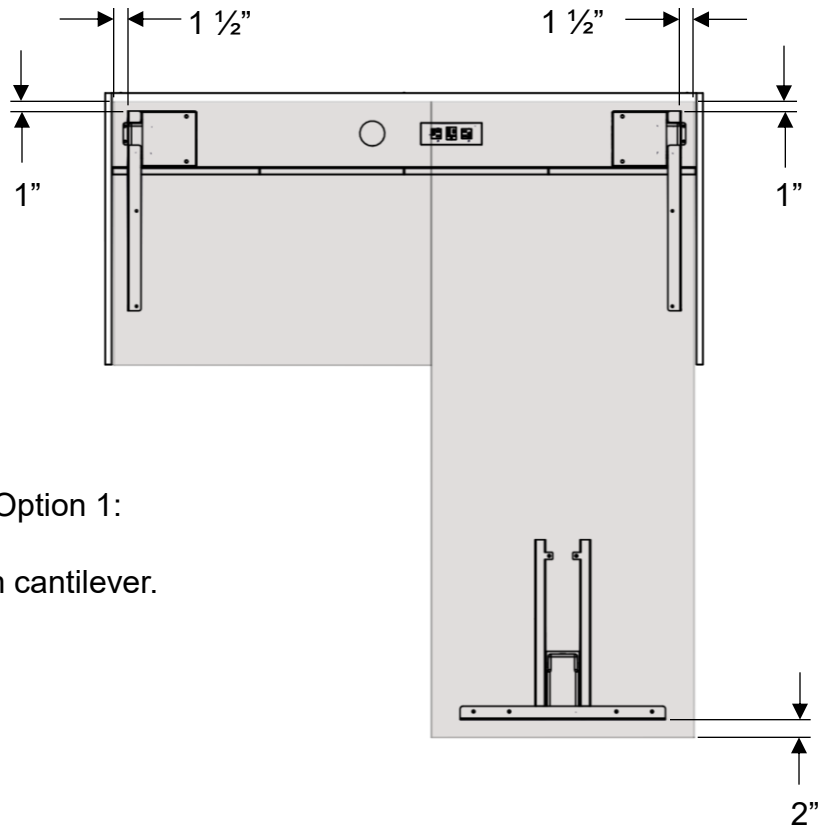
Worksurface Installation Option 2:
If installing adjacent to wall mounted tackboard,
worksurface installation to be flush to cantilever



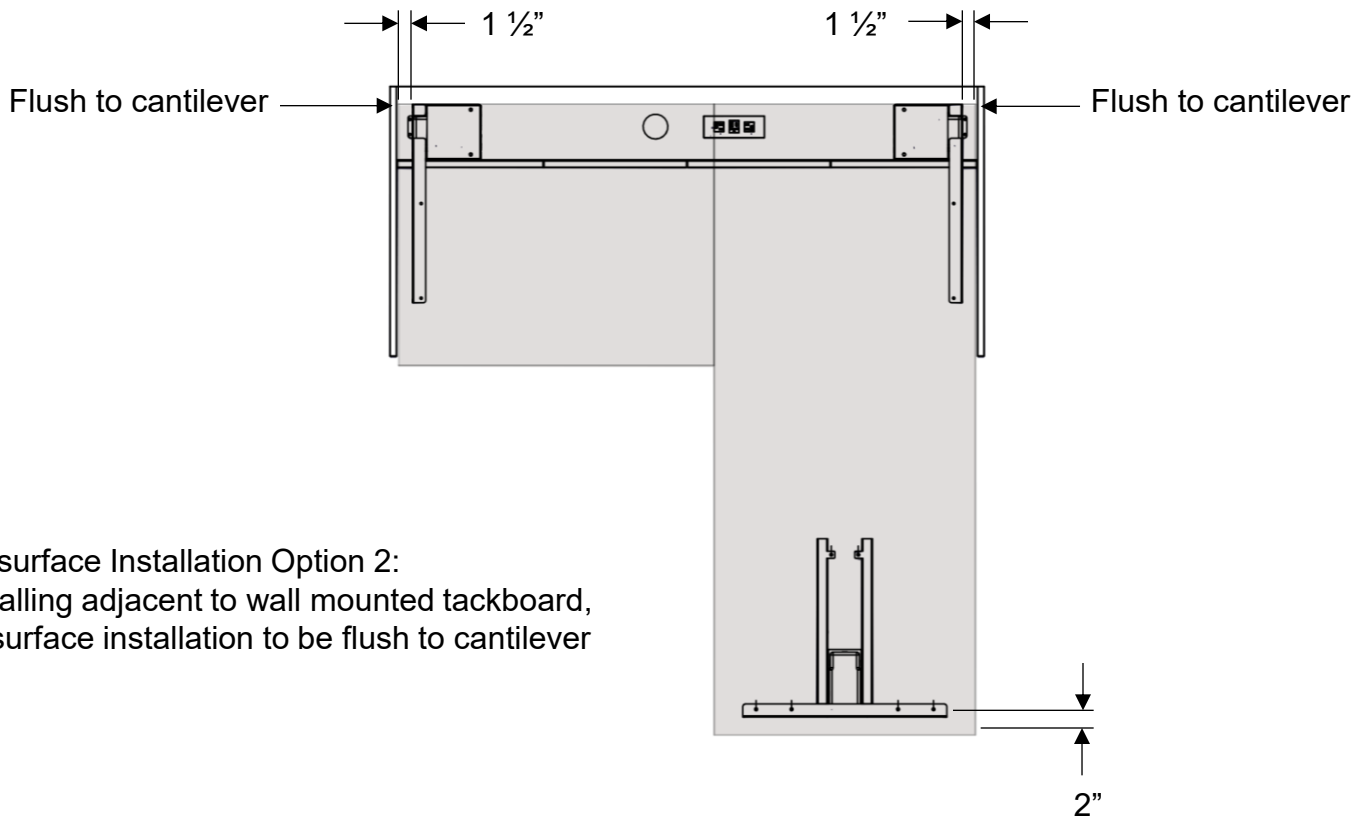
Cantilevered Height Adjustable Desk Installation Instructions

Step 14b: Install the worksurface support components to the height adjustable columns.

3-Leg



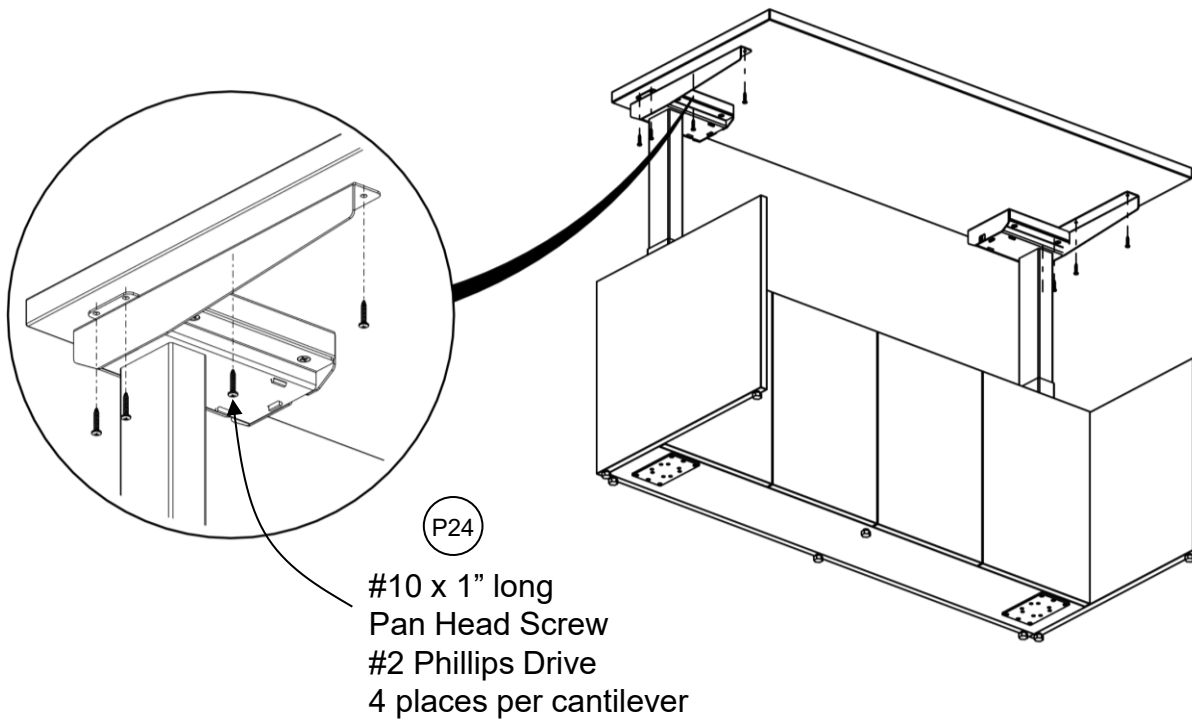
Worksurface Installation Option 1:
For standard installation,
worksurface to be 1" from cantilever.



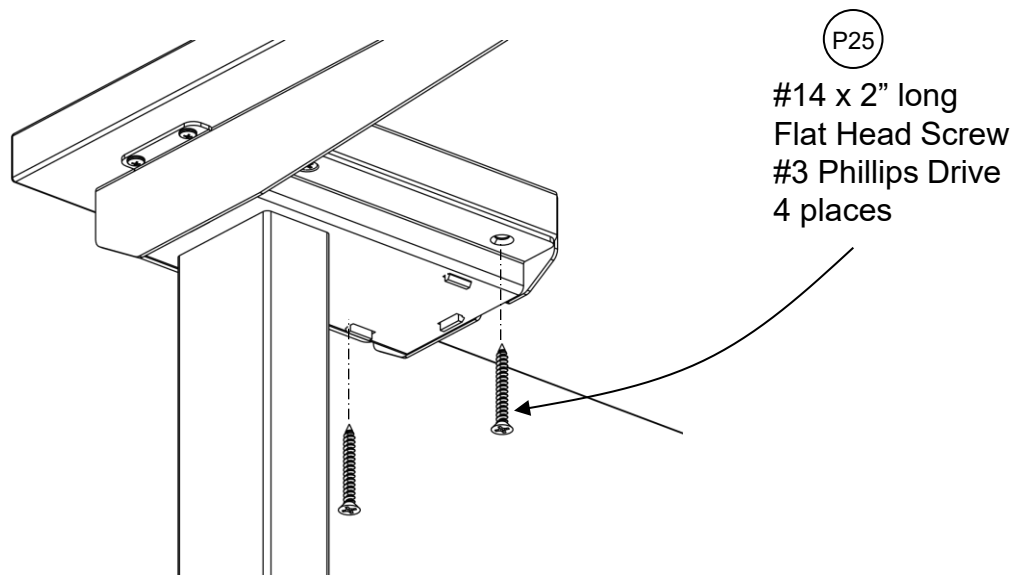
Worksurface Installation Option 2:
If installing adjacent to wall mounted tackboard,
worksurface installation to be flush to cantilever

Cantilevered Height Adjustable Desk Installation Instructions

Step 15.: Secure worksurface to cantilever.

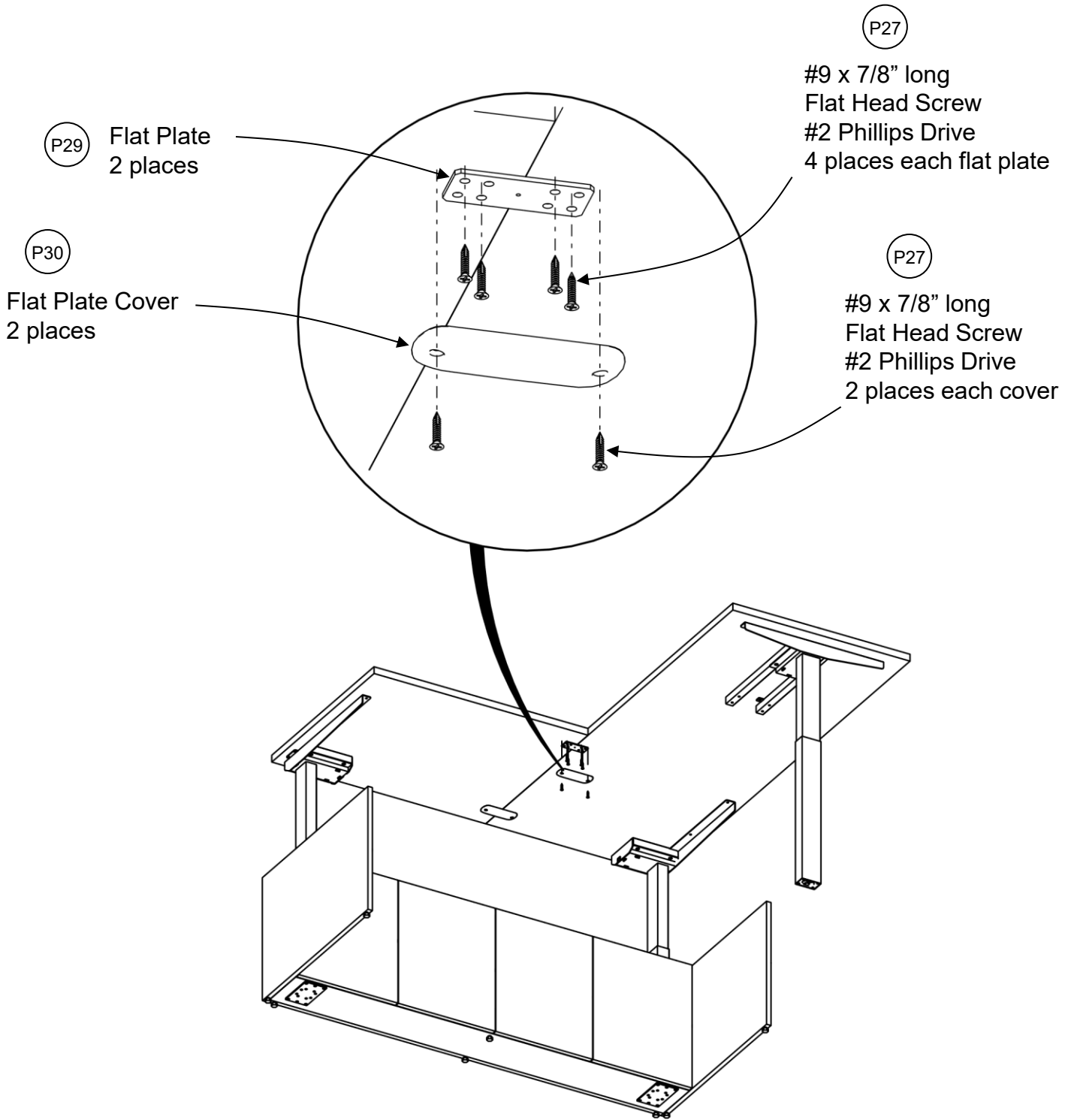


Step 16.: Secure the height adjustable column to the worksurface.



Cantilevered Height Adjustable Desk Installation Instructions

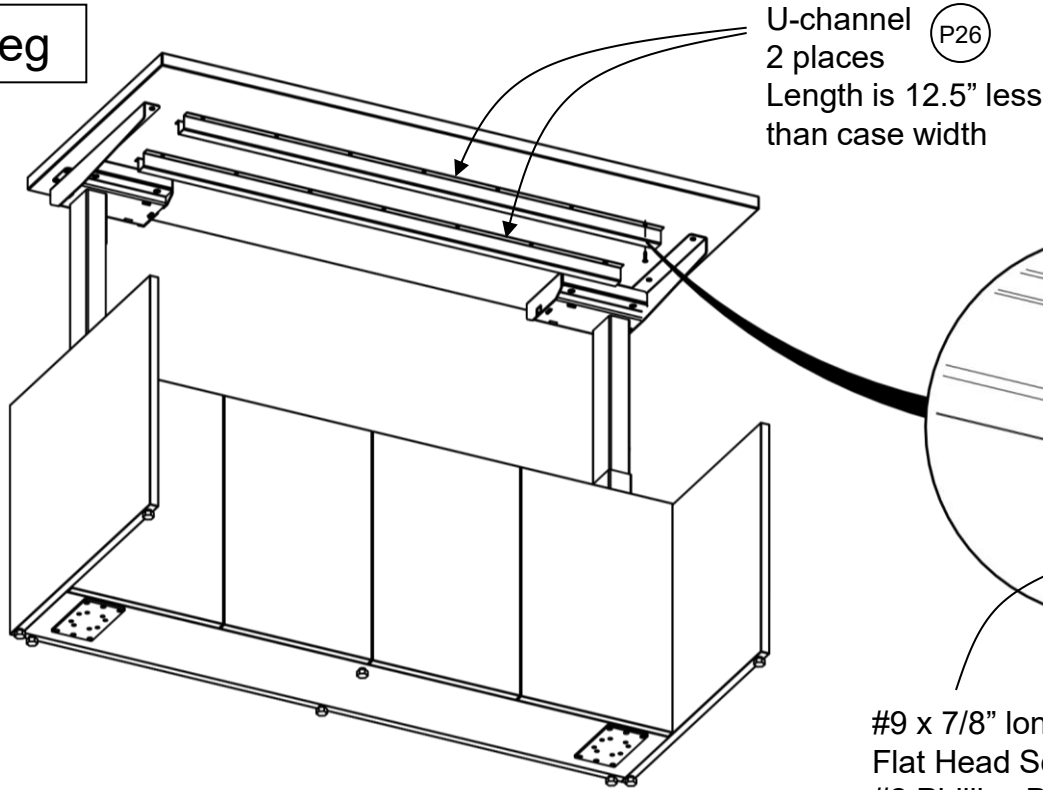
Step 17 (3 leg configuration only): Install flat plates.



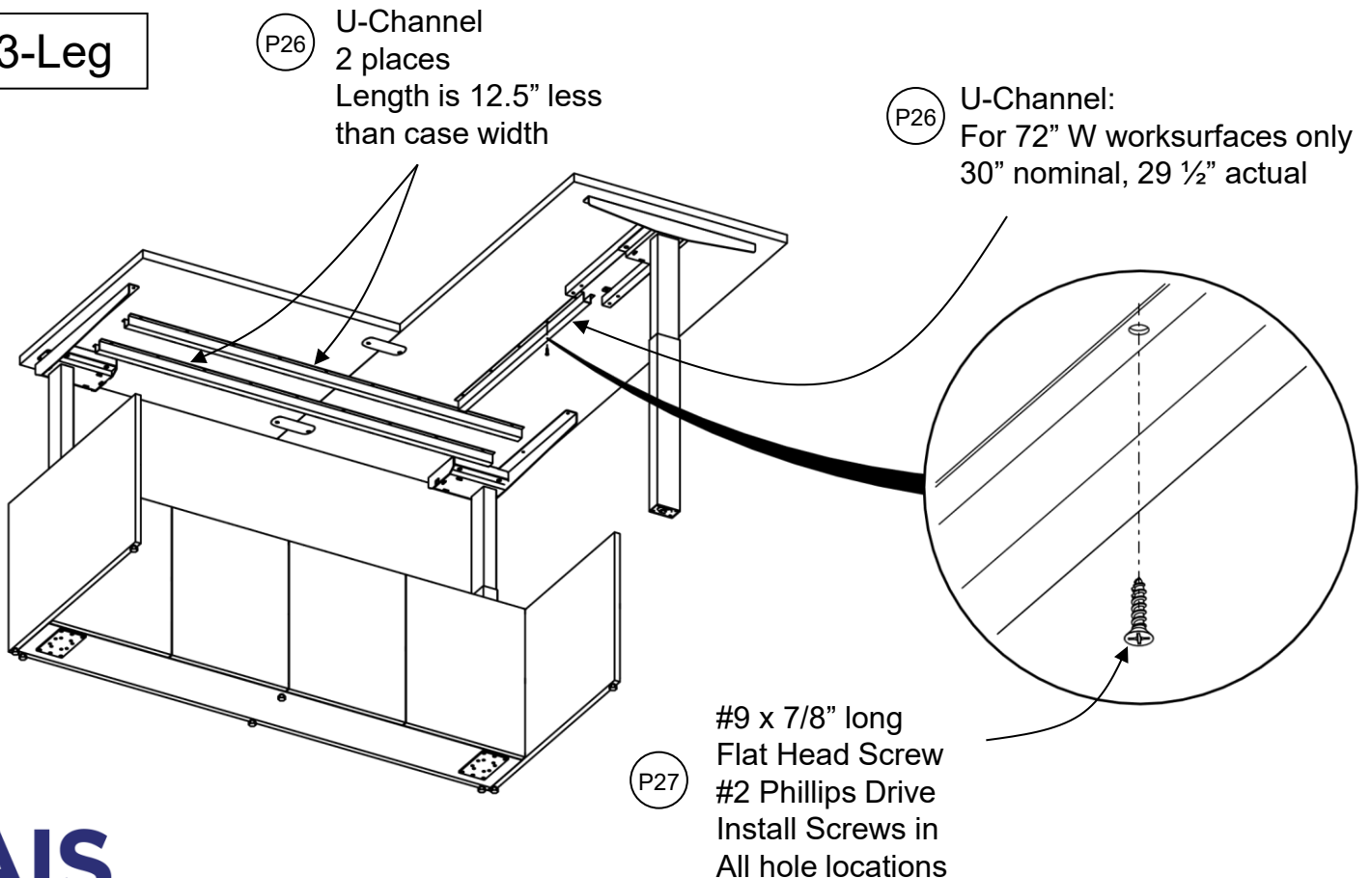
Cantilevered Height Adjustable Desk Installation Instructions

Step 18: Install U-Channels to worksurface using #9 x 7/8" worksurface screws.

2-Leg



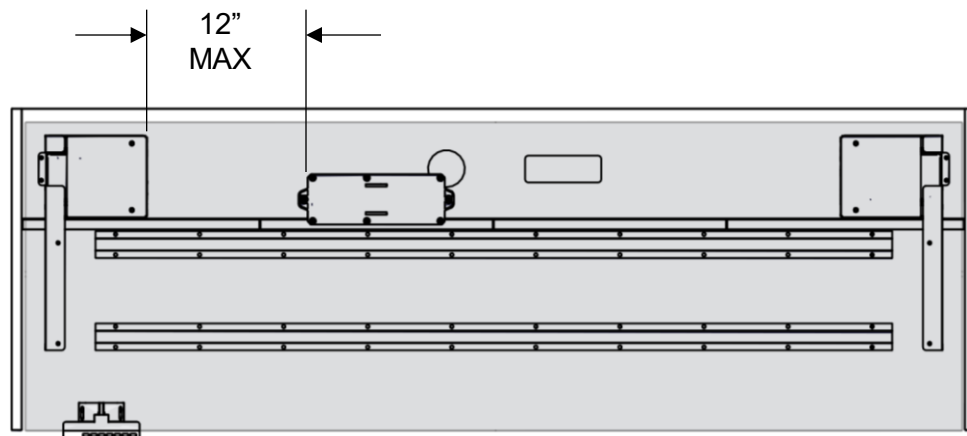
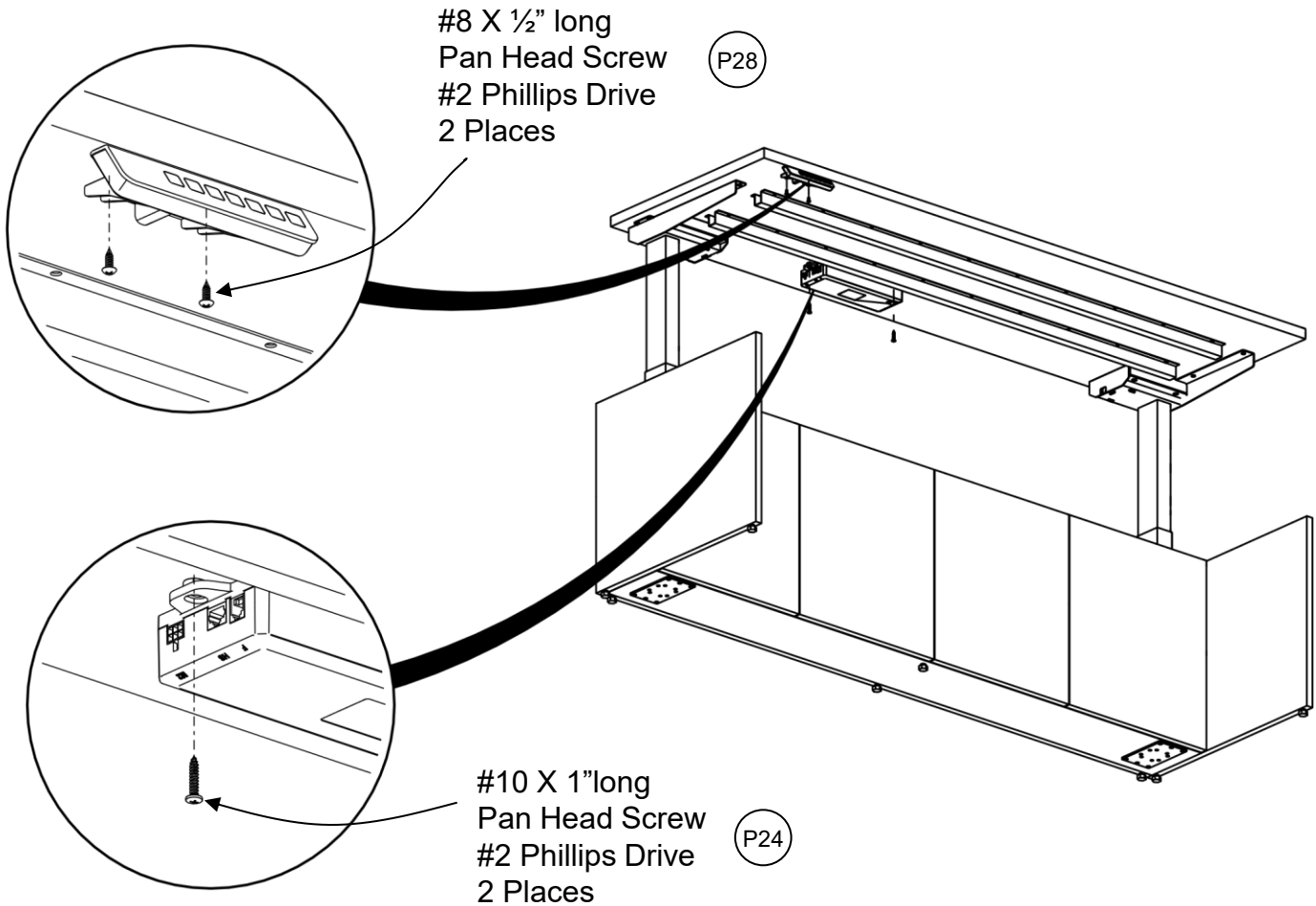
3-Leg



Cantilevered Height Adjustable Desk Installation Instructions

Step 19: Install the control box to the worksurface using (2) #10 x 1" pan head screws.

Step 20: Install the hand switch to the worksurface using (2) #8 x 1/2" pan head screws.

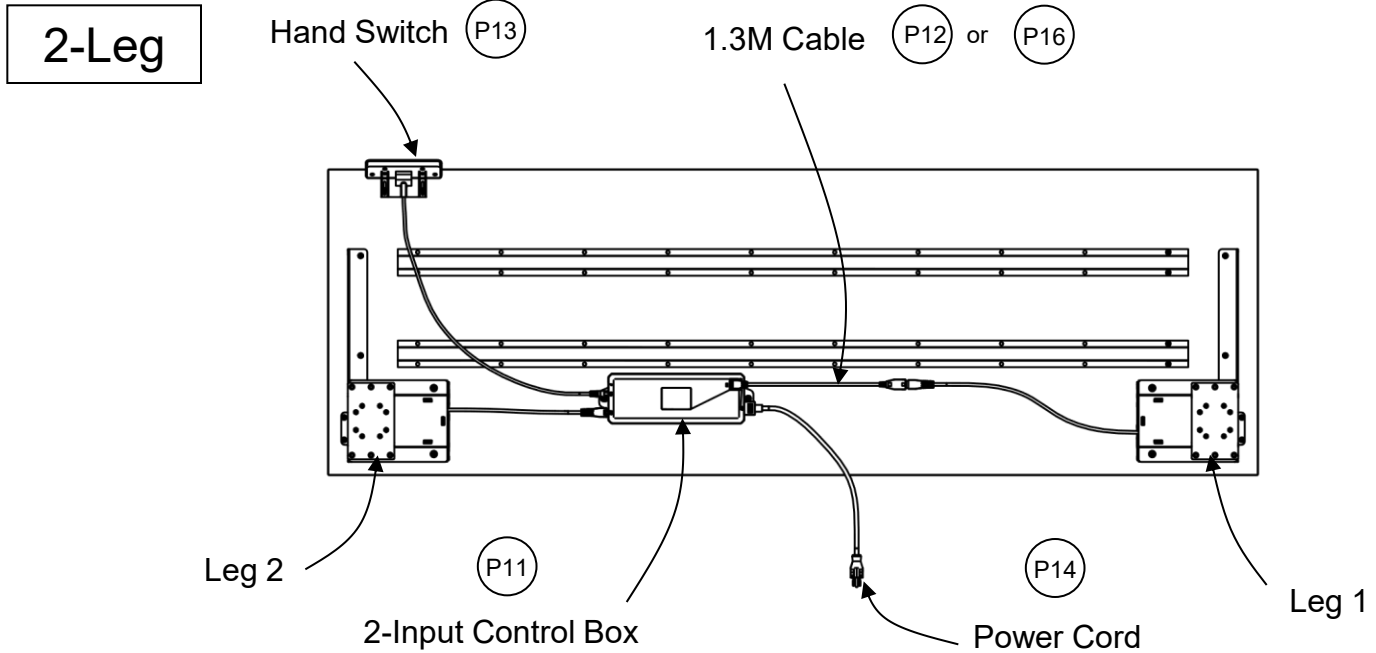


Cantilevered Height Adjustable Desk Installation Instructions

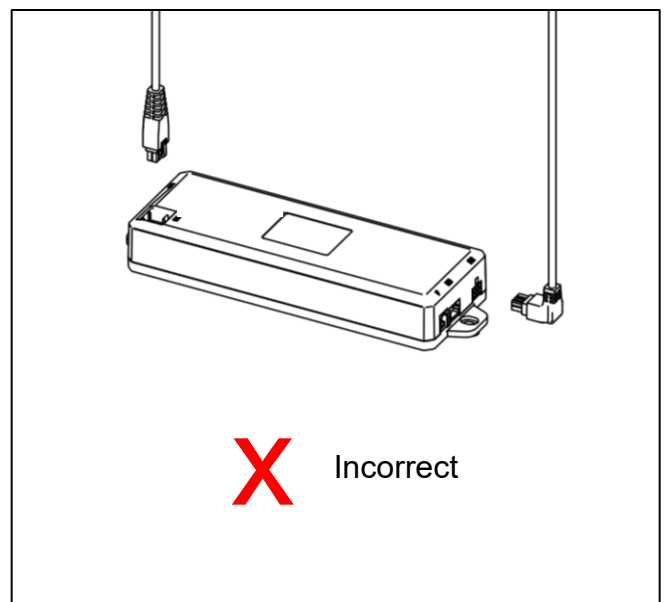
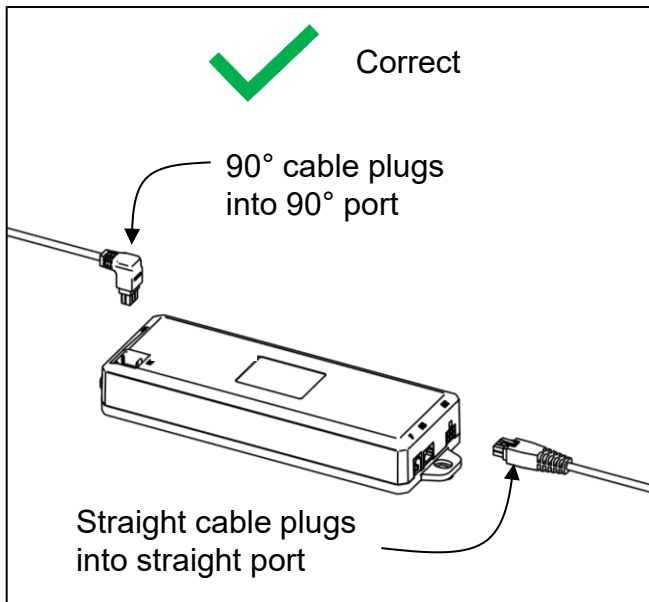
Step 21a (2 leg configurations):

Re-connect all height adjustable electrical components as shown.

1. Connect Leg 1 to Control Box Port M1 using the 1.3M cable.
2. Connect Leg 2 to Control Box Port M2 cable.
3. Connect the Hand Switch to Control Box Port HS.
4. Connect the Power Cord to the Control Box.



Note: Control boxes feature ports on either the top face (90° connection shown below) or on the side (straight connection). You may be supplied both 90° and straight cables. Make sure to use the 90° cable in the 90° port only and use the straight cable in the straight port only, as shown below.

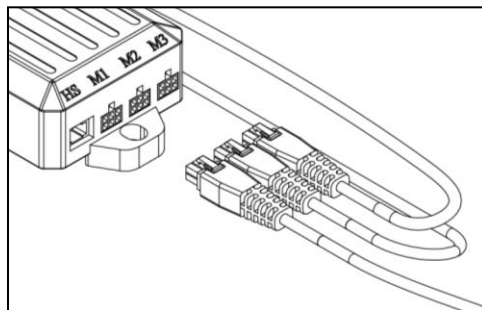
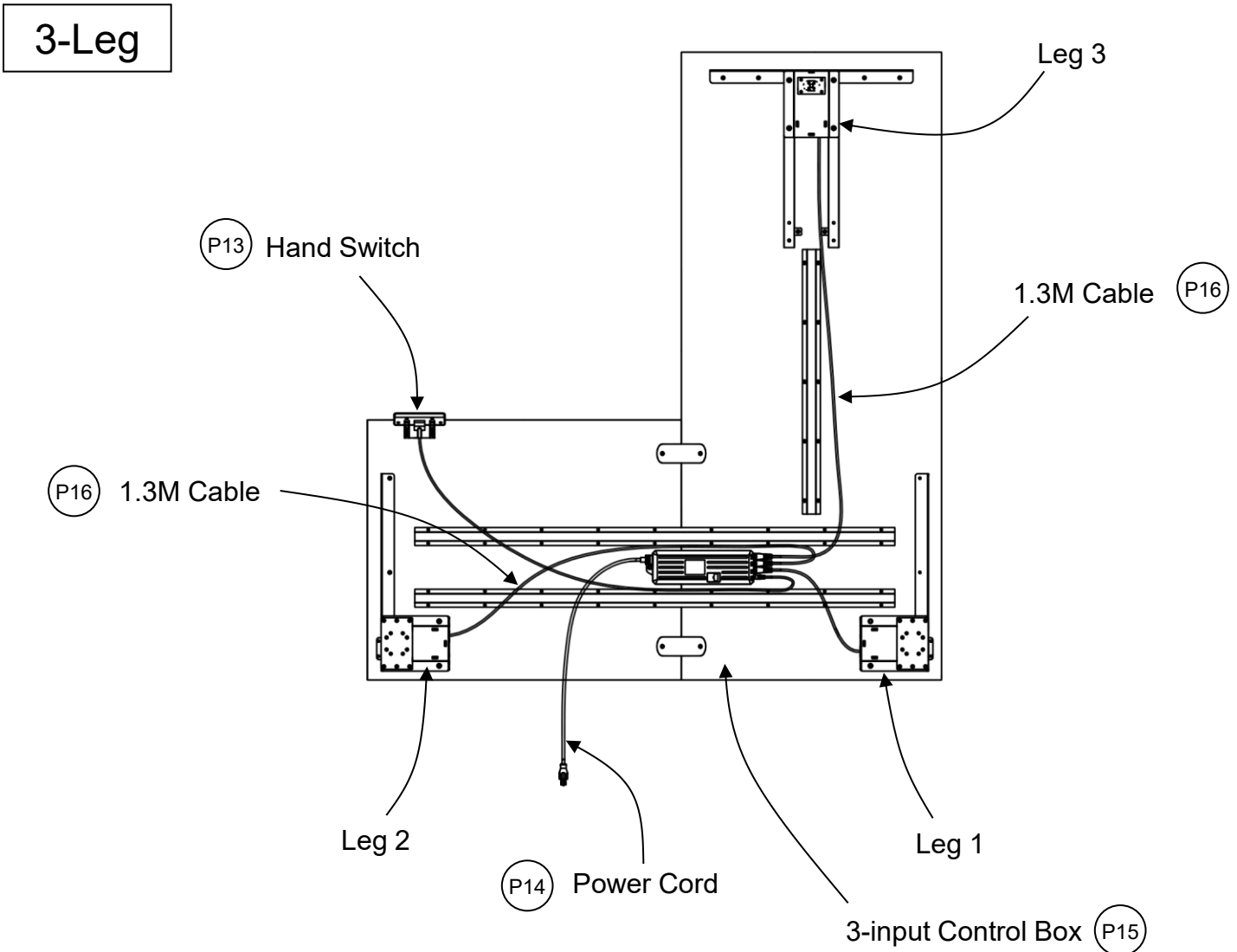


Cantilevered Height Adjustable Desk Installation Instructions

Step 21b (3 leg configurations):

Re-connect all height adjustable electrical components as shown.

1. Connect Leg 1 to Control Box Port M1.
2. Connect Leg 2 to Control Box Port M2 using a 1.3M cable.
3. Connect Leg 3 to Control Box Port M3 using a 1.3M cable
4. Connect the Hand Switch to Control Box Port HS.
5. Connect the Power Cord to the Control Box.



Cantilevered Height Adjustable Desk Installation Instructions

Step 22: Test height adjustable units for proper functionality.

