

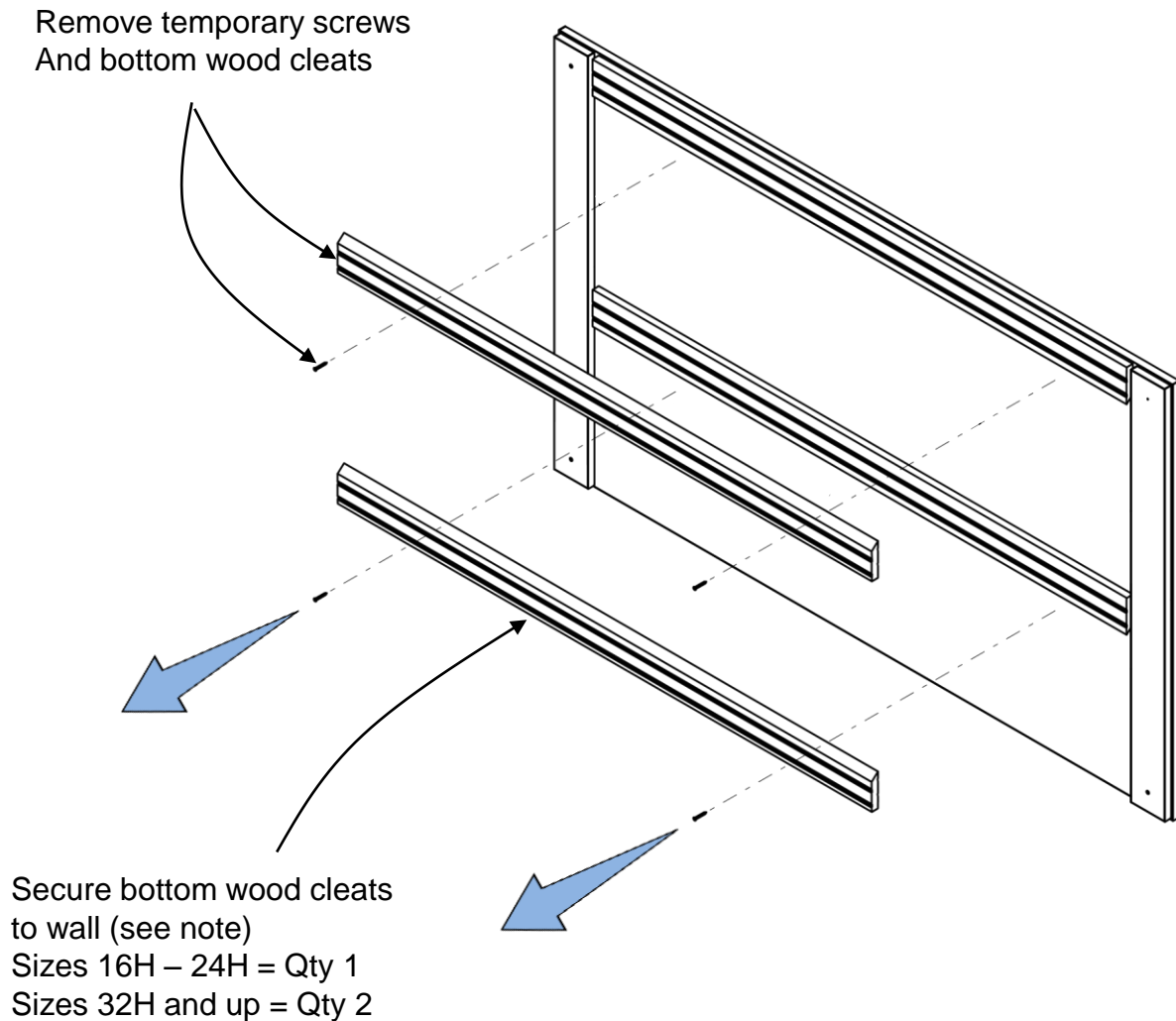
# Calibrate Wall Panels Installation Instruction

Date	Page No.	Description of change	Name
1/23/2023	1-3	Released	S. Powers

# Calibrate Wall Panels Installation Instruction

**Step 1:** Remove temporary screws and bottom cleat(s) from the back of the panel.

**Step 2:** Securely mount bottom wood cleat(s) wall (see note below)

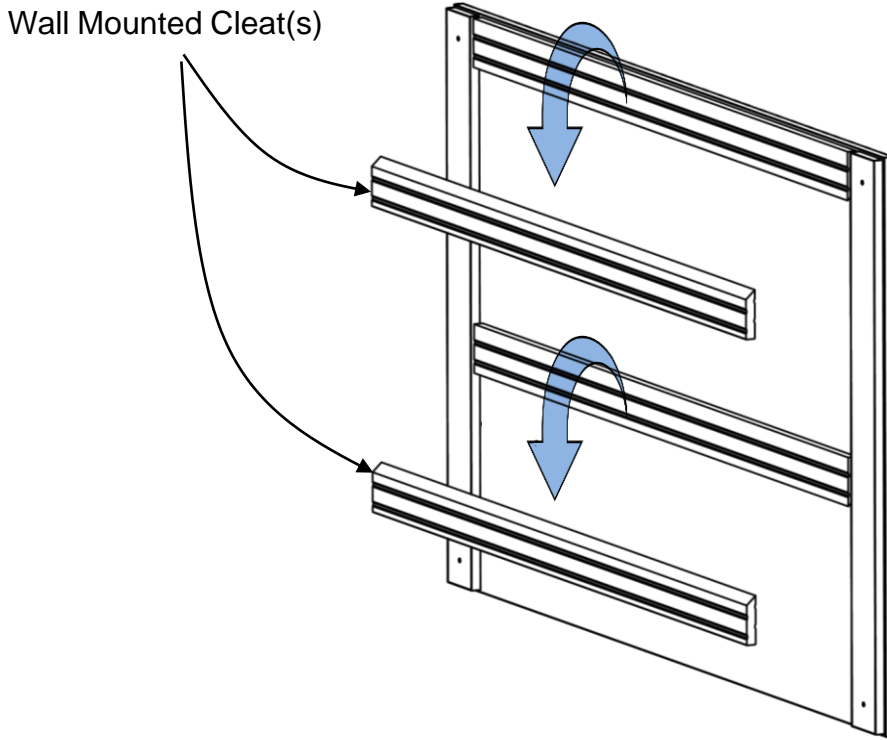


Note:

Customer must ensure structural integrity of the wall is sufficient to support the wall mounted product. All wall mounting hardware (not included) should be securely fastened to the studs on the load bearing wall.

# Calibrate Wall Panels Installation Instruction

**Step 3:** Hang panel onto the wall mounted wood cleats.



**Step 4:** Secure panel to the wall mounted wood cleats.

