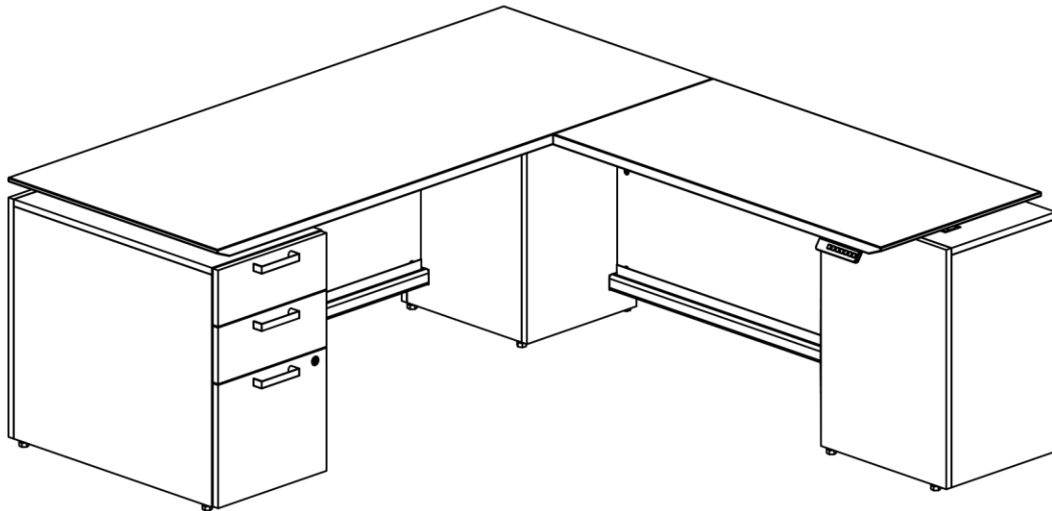


# Executive Floating Height Adjustable 3 Leg Desk Installation Instructions

Date	Page No.	Description of change	Name
01/31/2024	1-28	Released	S. Powers
02/14/2021	1-9,32	Added u-channel quantities and assembly notes.	S. Powers
03/22/2024	36	Added trim ring installation	S. Powers
10/17/2025	12	Updated part number and image P21	S. Powers
10/24/2025	21, 25	Added table for modesty actual widths	S. Powers
12/12/2025	22	Added Dimensions for Sub-top	P. Day

**\*\*\*READ ALL INSTRUCTIONS BEFORE STARTING INSTALLATION\*\*\***

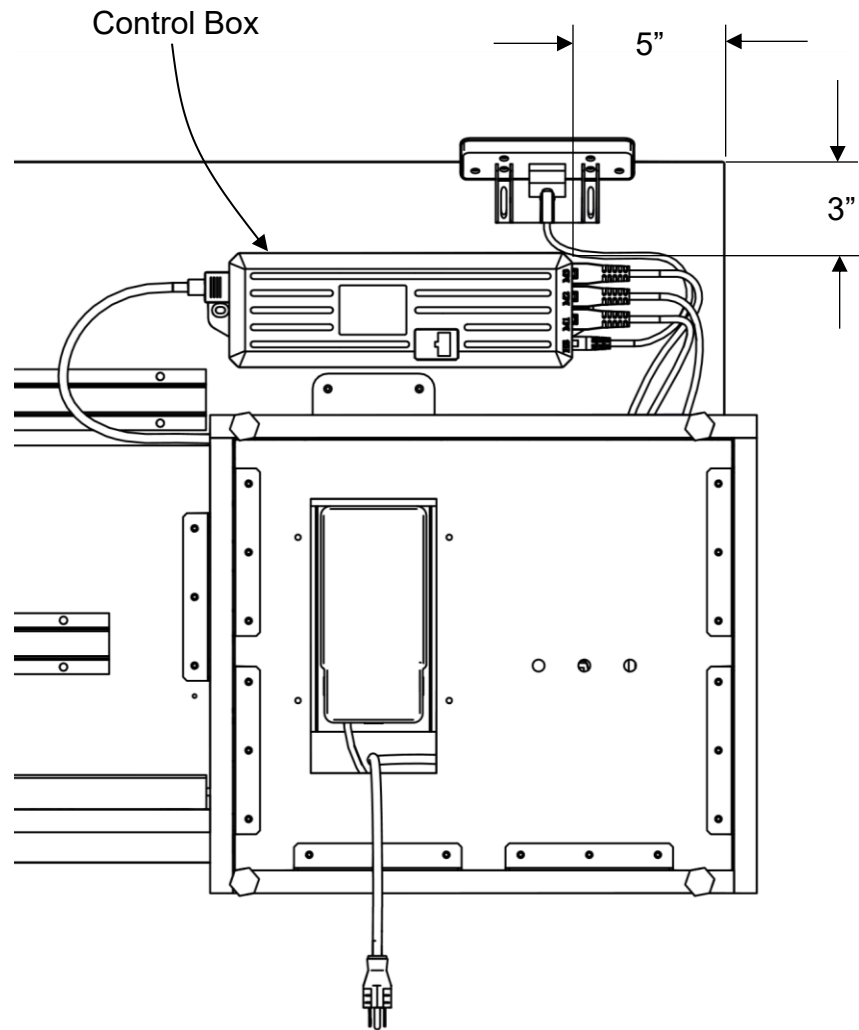


# Executive Floating Height Adjustable 3 Leg Desk Installation Instructions

**\*\*\*READ ALL INSTRUCTIONS BEFORE STARTING INSTALLATION\*\*\***

## IMPORTANT ASSEMBLY NOTES:

- Location of the control box is critical. Failure to locate the control box correctly could result in injury.

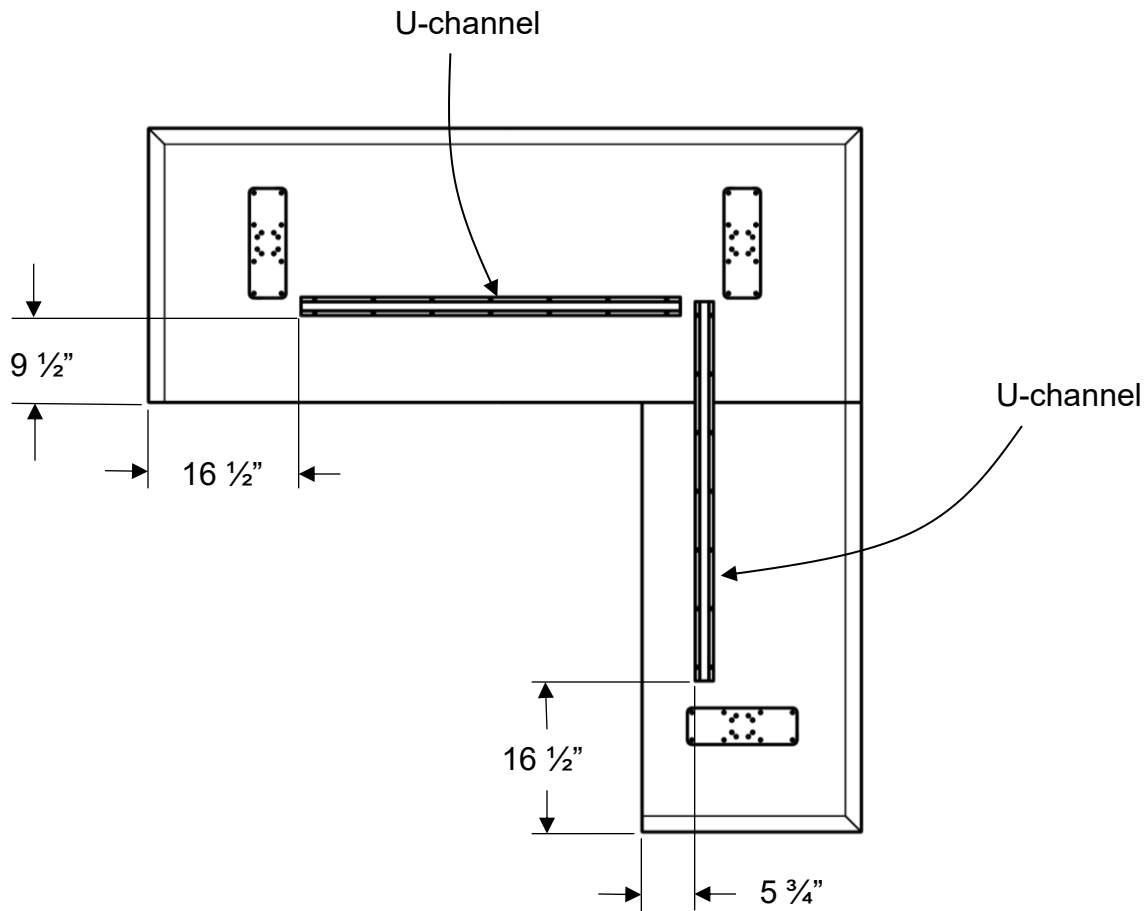


# Executive Floating Height Adjustable 3 Leg Desk Installation Instructions

**\*\*\*READ ALL INSTRUCTIONS BEFORE STARTING INSTALLATION\*\*\***

## IMPORTANT ASSEMBLY NOTES:

- Location of the worksurface u-channels is critical. Failure to locate the u-channels correctly could result in injury.

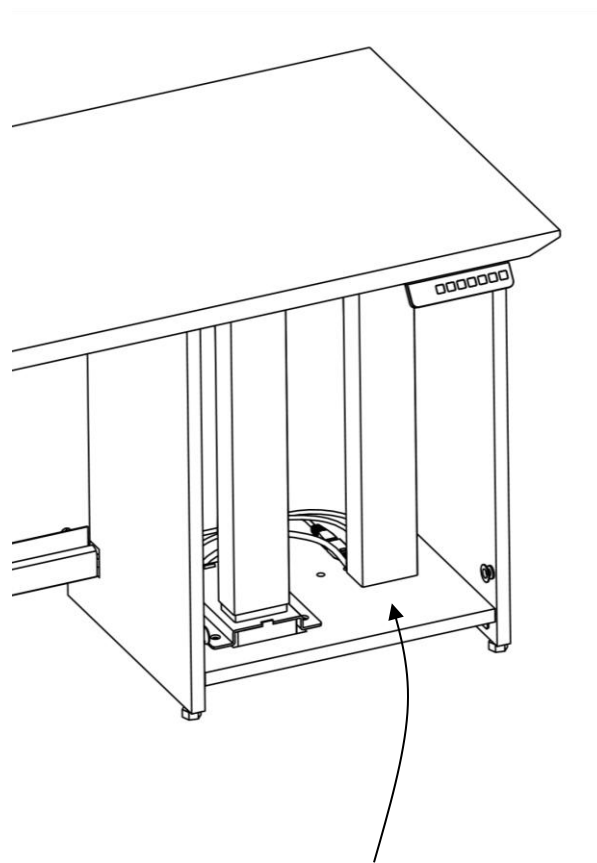


# Executive Floating Height Adjustable 3 Leg Desk Installation Instructions

**\*\*\*READ ALL INSTRUCTIONS BEFORE STARTING INSTALLATION\*\*\***

## IMPORTANT ASSEMBLY NOTES:

- The wire manager cabinet is not to be used for storage purposes. This cabinet is to remain clear of any items that may prevent the wires and the wire manager to move freely. Obstructions may result in injury.
- Use cable ties as necessary to keep wires orderly.



**DO NOT PLACE ANYTHING  
UNDER WIRE MANAGER!**

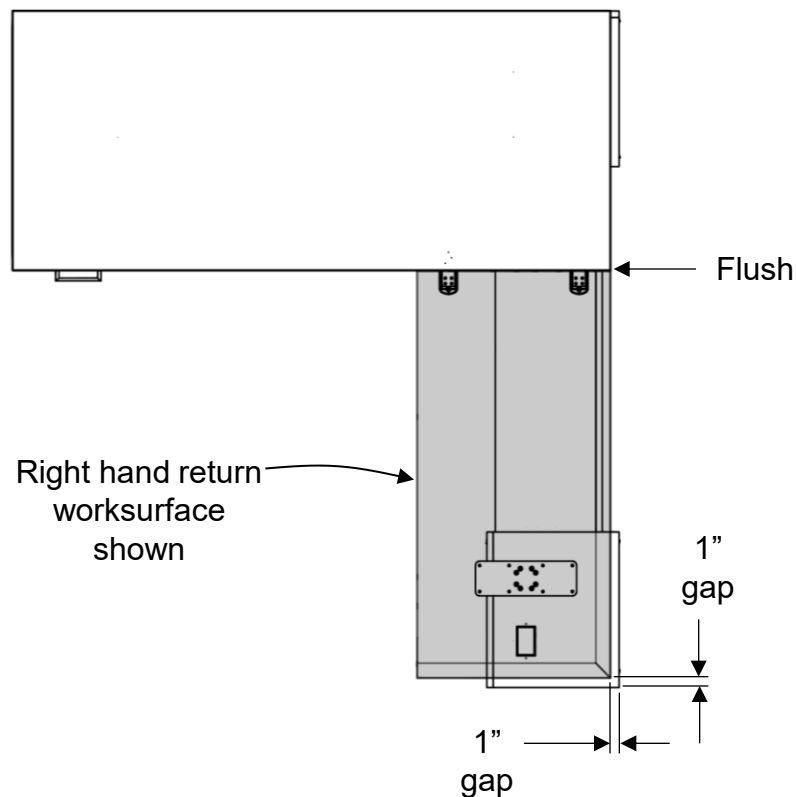
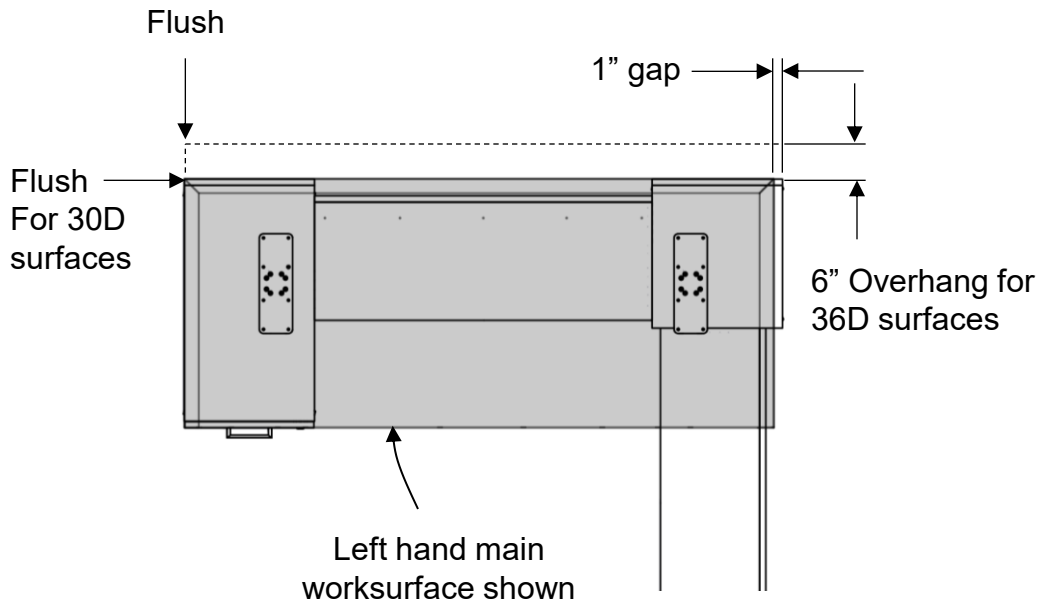


# Executive Floating Height Adjustable 3 Leg Desk Installation Instructions

**\*\*\*READ ALL INSTRUCTIONS BEFORE STARTING INSTALLATION\*\*\***

## IMPORTANT ASSEMBLY NOTES:

- Worksurfaces to be located as shown. Any pinch point gap less than 1" could result in injury.

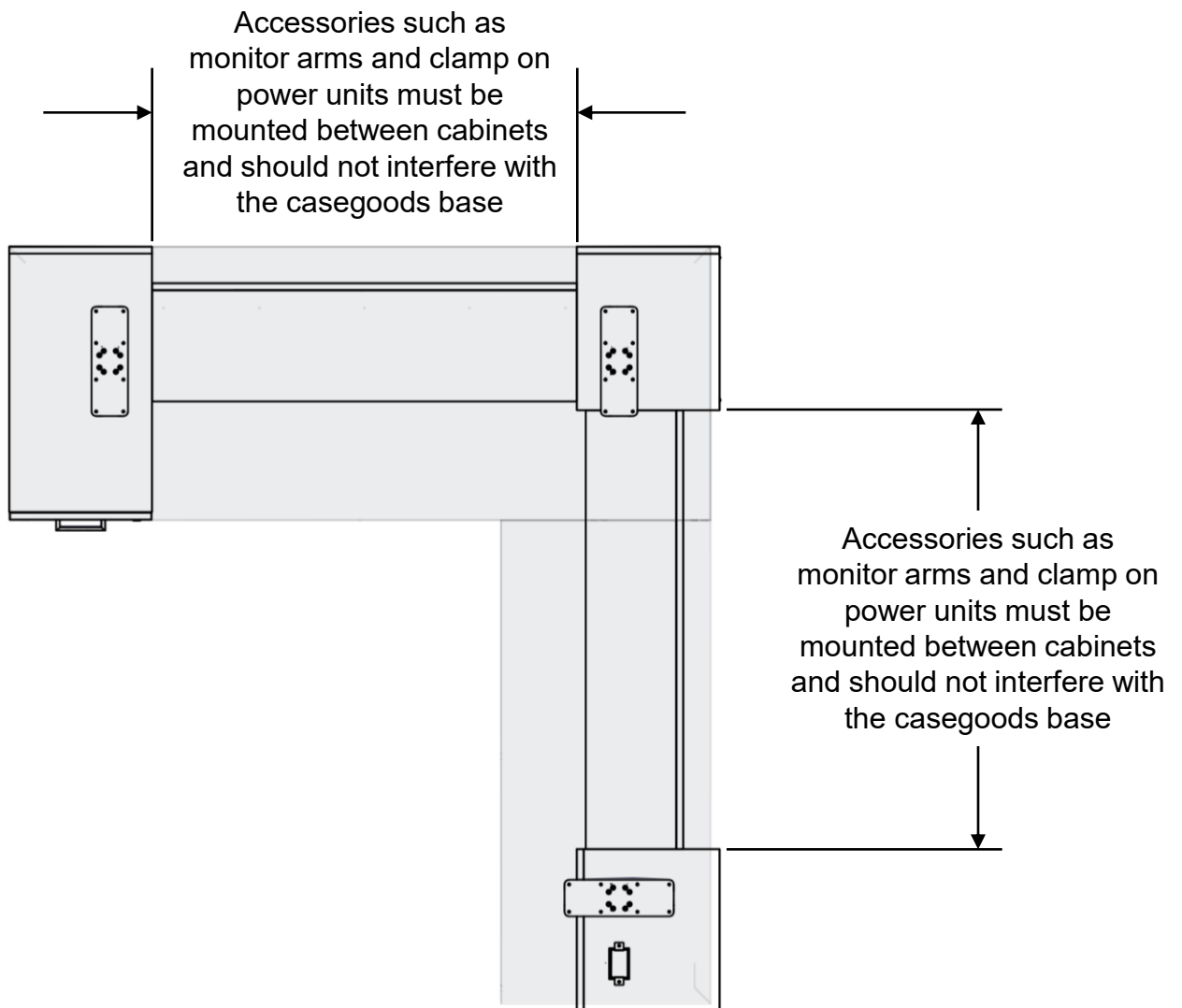


# Executive Floating Height Adjustable 3 Leg Desk Installation Instructions

**\*\*\*READ ALL INSTRUCTIONS BEFORE STARTING INSTALLATION\*\*\***

## IMPORTANT ASSEMBLY NOTES:

- Monitor arms, clamp on power units and other accessories must be located as shown. Failure to locate correctly may result in injury.



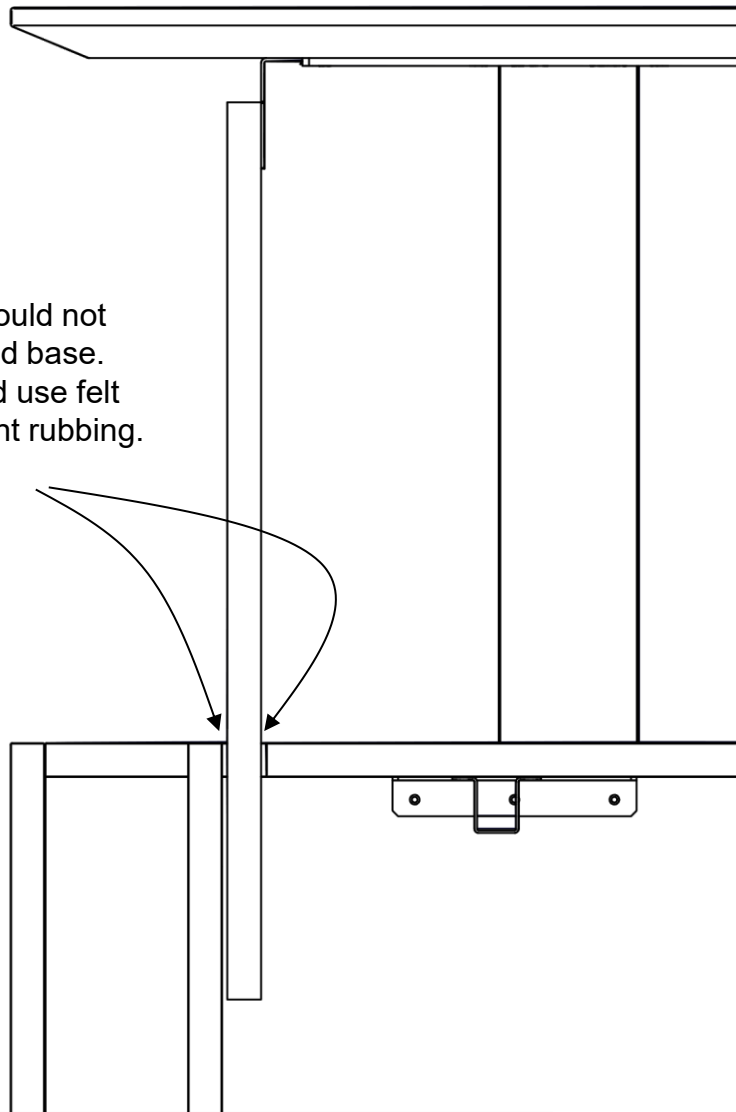
# Executive Floating Height Adjustable 3 Leg Desk Installation Instructions

**\*\*\*READ ALL INSTRUCTIONS BEFORE STARTING INSTALLATION\*\*\***

## IMPORTANT ASSEMBLY NOTES:

- The suspended modesty must hang free from the worksurface and should not interfere or rub against the casework base. Use felt adhesive discs as necessary to prevent laminate interference.

Suspended modesty should not rub against the casework base. Adjust as necessary and use felt adhesive discs to prevent rubbing.



# Executive Floating Height Adjustable 3 Leg Desk Installation Instructions

## **\*\*\*READ ALL INSTRUCTIONS BEFORE STARTING INSTALLATION\*\*\***

- For commercial use only.
- Warning: Risk of Injury – Maximum load 275 lbs. 2 leg, 325 lbs. 3 leg
- Electrical rating: 120V, 60Hz, 4 AMP for 2 leg tables  
120V, 60Hz, 5 AMP for 3 leg tables
- No more than 12 furnishings can be connected on one branch circuit.

## **IMPORTANT SAFETY INSTRUCTIONS**

DANGER – To reduce risk of electric shock:

- Always unplug furnishing from the electrical outlet before cleaning or servicing.

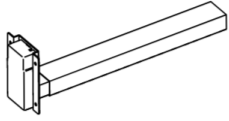



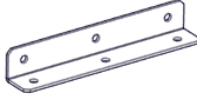


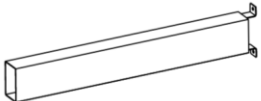


WARNING – To reduce the risk of burns, fire, electric shock, or injury to persons:

- Unplug from outlet before putting on or taking off parts.
- Close supervision is necessary when this furnishing is used by, or near children, invalids or disabled persons.
- Review the assembly instructions to confirm that the appropriate critical components and accessories are being used with the furnishing.
- Never operate this furnishing if it has a damaged cord or plug, if it is not working properly, if it has been dropped or damaged, or dropped into water.
- Keep the cord away from heated surfaces.
- Never operate the furnishing with the air openings blocked. Keep the air openings free of lint, hair and the like.
- Do not use outdoors.
- To disconnect, turn all controls to the off position, then remove plug from outlet.
- Connect to a properly grounded outlet only. See grounding instructions.
- For loading always put heavier items at the bottom and not near the top in order to help prevent the possibility of the furnishing tipping over.

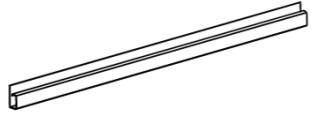
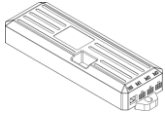

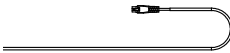
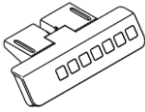










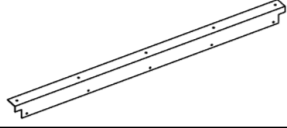


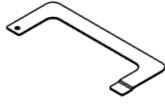

# Executive Floating Height Adjustable 3 Leg Desk Installation Instructions

Item	Replacement Part number	Circle Sheet Part Number	Description	Image
P1	RT-2S2LECK-xx (x = S, W or B)	RWFS-2L2SE-ECx (x = S, W or B)	Height Adjustable Column 50mmX80mm	
P2	RH-98903A364	RH-98903A364	#14 x 3/4" Flat Head Screw	
P3	RC-LG8050	RC-LG8050	PET Gasket	
P4	RH-WSFP1034	RH-WSFP1034	#10 x 3/4" long Flat head wood screw	
P5	O-LB2	OX-LB2	L-Bracket	
P6	A-FHTP	RC-FHTP	Top Plate	
P7	RH-91263A837	RH-91263A837	M6 x 12mm Flat Head Socket Head Screw	
P8	RL-FHATVWM-xx (xx = BK, WT or MS)	RL-FHATVWM-xx (xx = BK, WT or MS)	Vertical Wire Manager	
P9	RH-DU325	RH-DU325	Anchor Pin	
P10	RH-9056601-I	RH-9056601	Cam Bushing	

# Executive Floating Height Adjustable 3 Leg Desk Installation Instructions

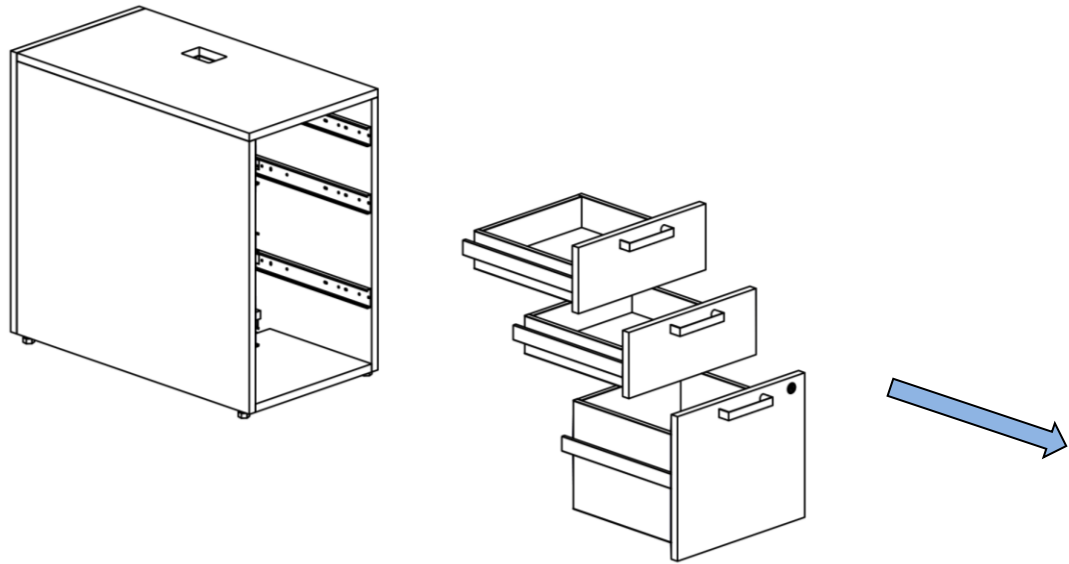
Item	Replacement Part number	Circle Sheet Part Number	Description	Image
P11	A-WMJCxx (xx = length)	A-WMJCxx (xx = length)	J-Channel Wire Manager	
P12	RL-3LCB	RL-3LCB	3-Input Control Box	
P13	RL-3LCK	RL-3LCK	2.5M cable extension	
P14	RL-2LCK	RL-2LCK	1.3M cable extension	
P15	RL-PHS	RL-PHS	Hand Switch	
P16	RL-JCPWRCRD	RL-JCPWRCRD	Power Cord	
P17	RH-QS0978	RH-QS0978	#9 X 7/8" Flat Head Screw	
P18	RWPS-FP	RWPS-FP	Flat Plate	
P19	RWPS-FPCVR	RWPS-FPCVR	Flat Plate Cover	
P20	WPS-HSxx	RWPS-HSxx	U-Channel	

# Executive Floating Height Adjustable 3 Leg Desk Installation Instructions

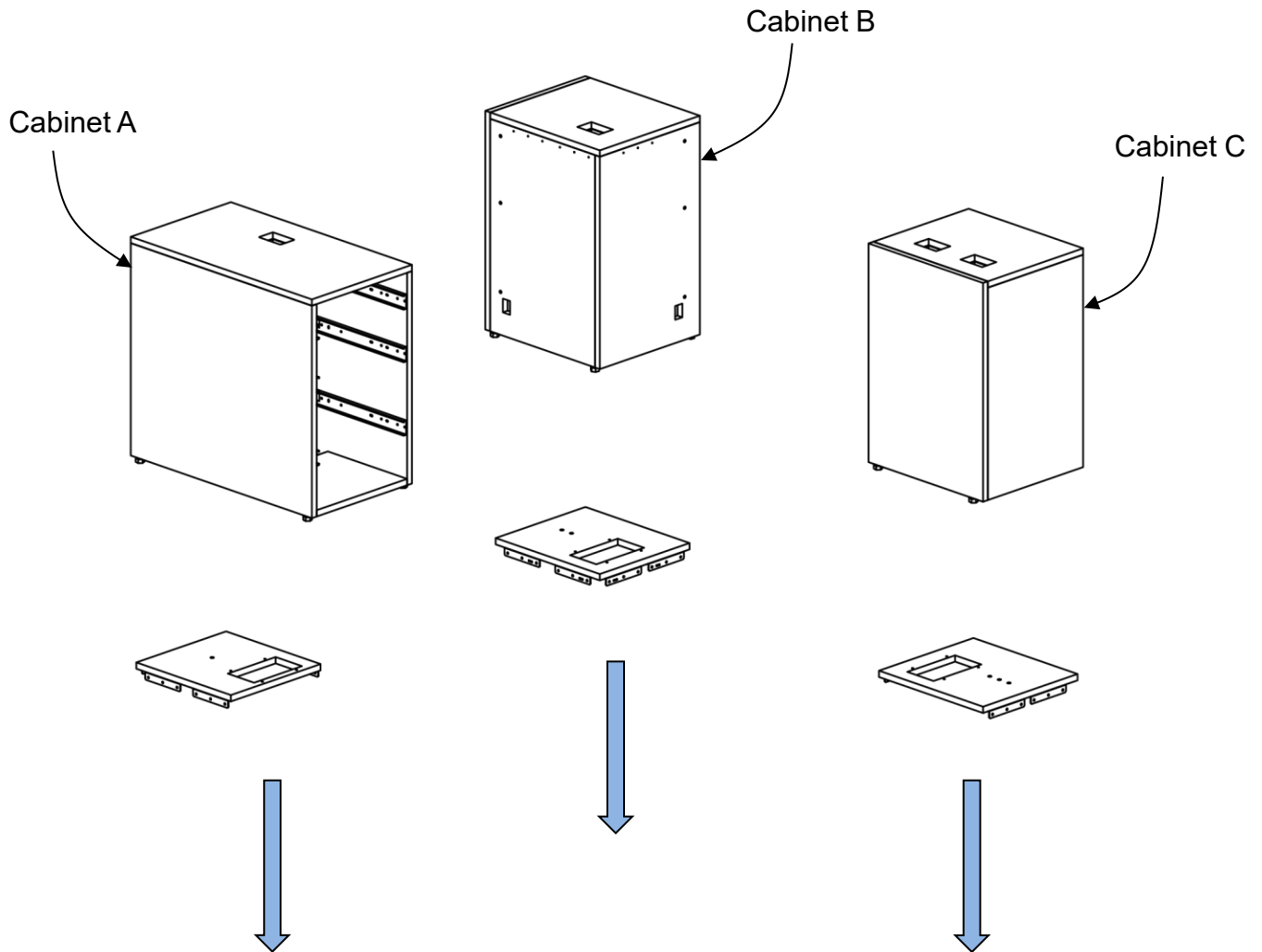
Item	Replacement Part number	Circle Sheet Part Number	Description	Image
P21	RH-90190A244	RH-90190A244	M5 x 16mm Screw	
P22	C-FHATMBxx (xx = 72, 78 or 84)	RC-FHATMBxx (xx = 72, 78 or 84)	Suspended Modesty Bracket	
P23	RH-90048A194	RH-90048A194	#8 x 1/2" Flat Head Screw	
P24	RH-8771K6	RH-8771K6	Adhesive Backed Felt Bumper	
P25	P-FHATTR	RH-FHATTR	Trim Ring	
P26	RH-7187A23	RH-7187A23	Glue Disks	

# Executive Floating Height Adjustable 3 Leg Desk Installation Instructions

Step 1: Remove all drawers from Cabinet A (BBF or FF storage)

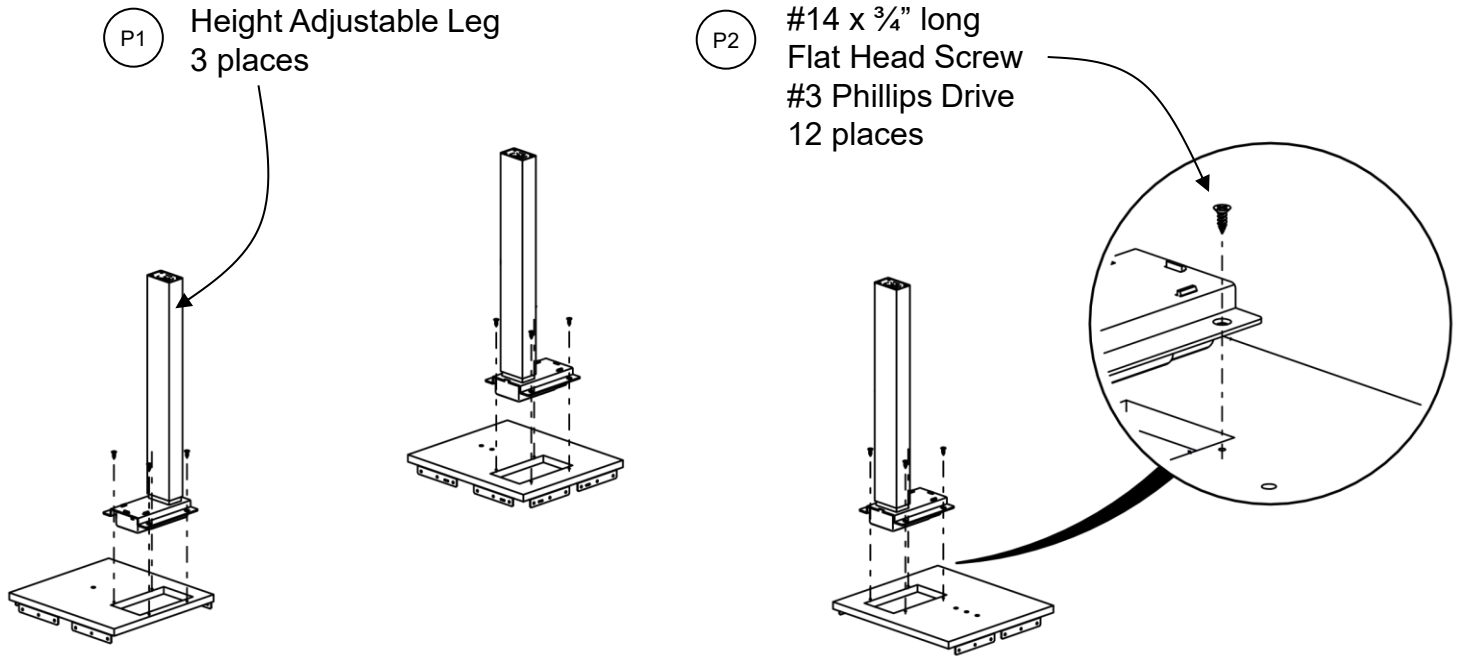


Step 2: Temporarily remove platforms from the bottom of each cabinet using a #2 phillips drive. **Do not discard the #10 x 3/4" screws.**

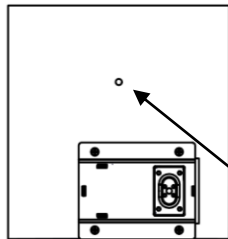


# Executive Floating Height Adjustable 3 Leg Desk Installation Instructions

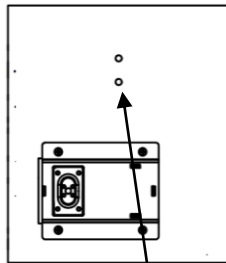
Step 3: Install height adjustable legs to cabinet platform, orientated as shown. Use #14 screws.



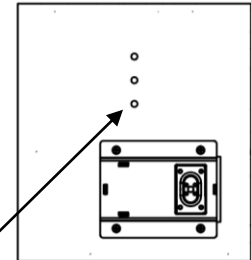
Cabinet A  
Top View



Cabinet B  
Top View



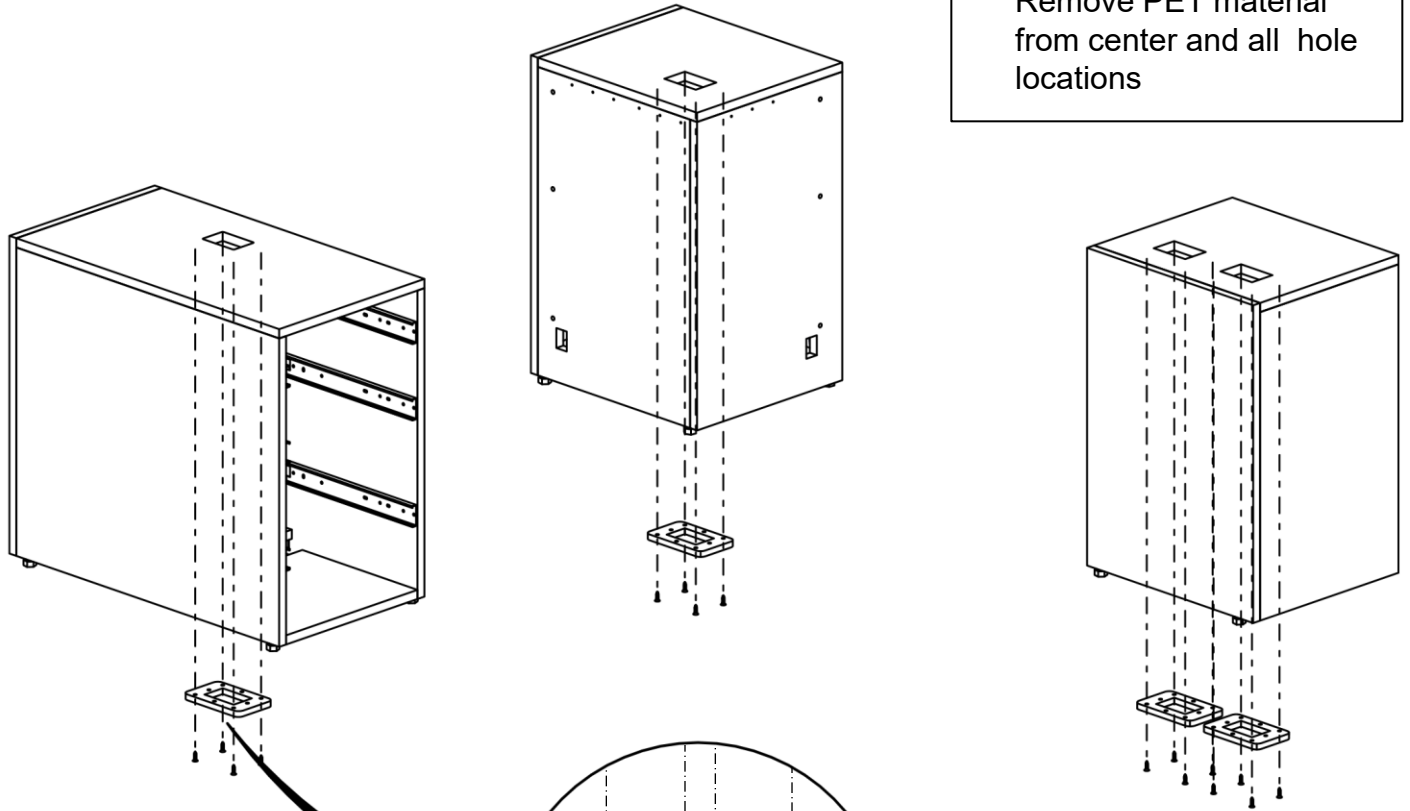
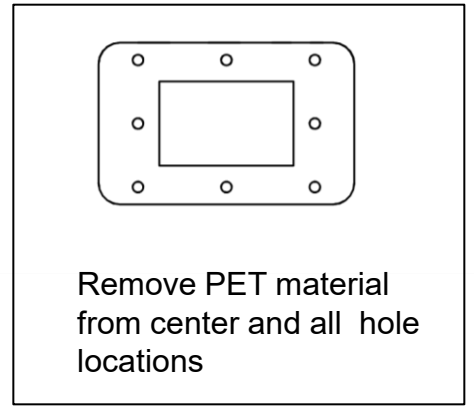
Cabinet C  
Top View



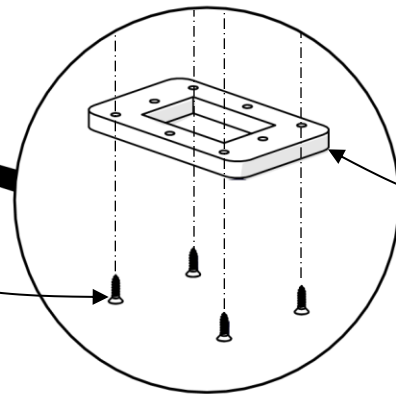
Platform identifying holes  
Cabinet A = 1 hole  
Cabinet B = 2 holes  
Cabinet C = 3 holes

# Executive Floating Height Adjustable 3 Leg Desk Installation Instructions

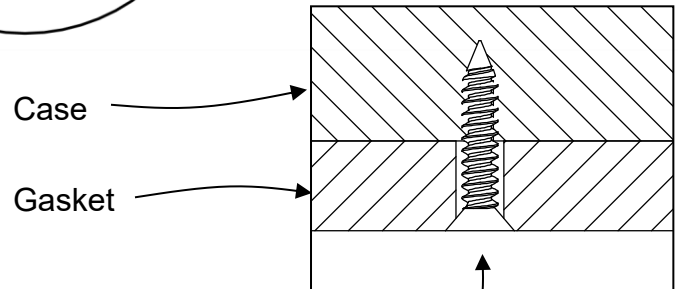
Step 4: Install PET gaskets using #10 x 3/4 screws .



P4 #10 x 3/4" long  
Flat Head Screw  
#2 Phillips Drive  
4 places per gasket



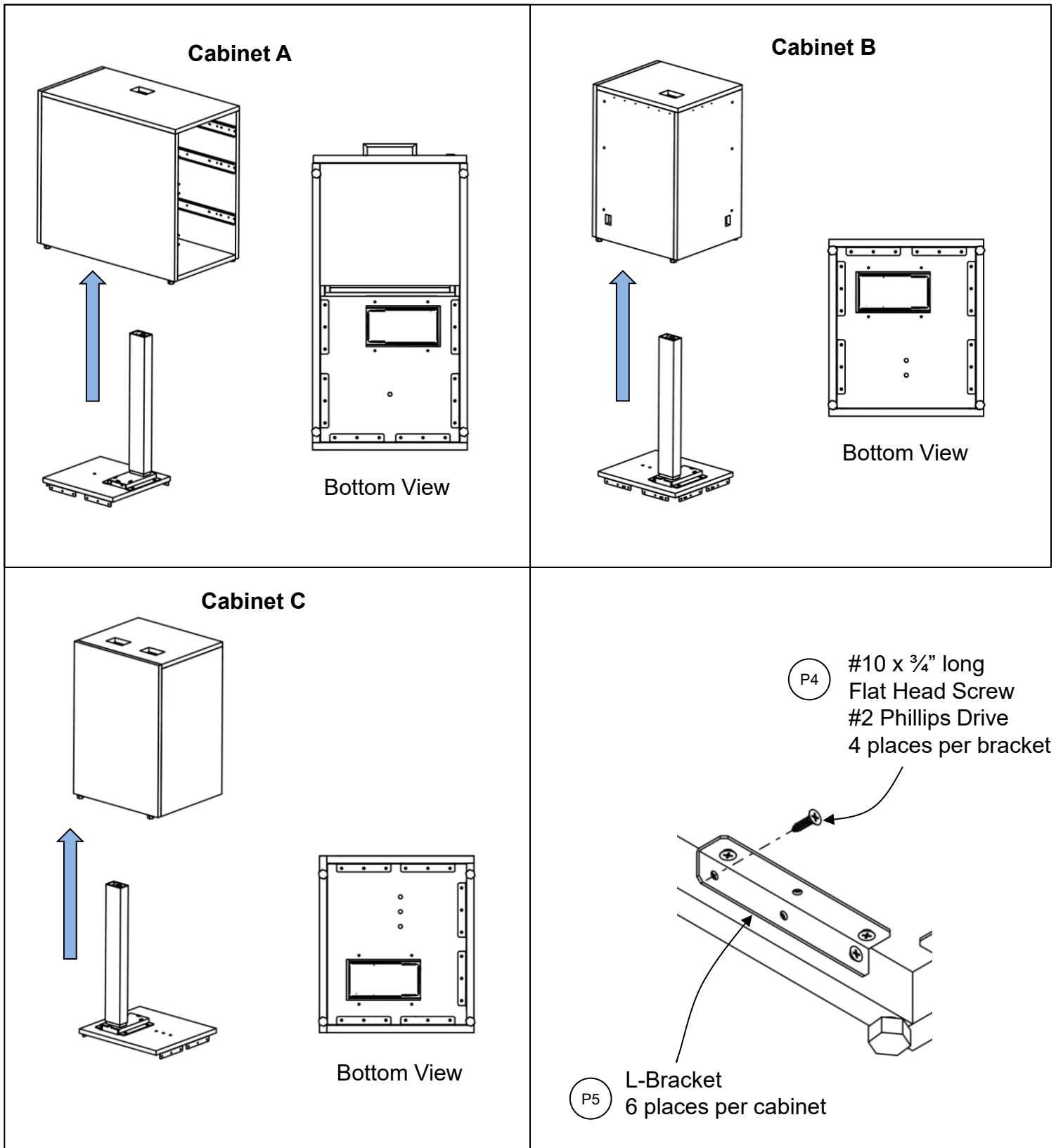
PET Gasket P3  
4 places



Tighten until screw head is flush to the PET gasket

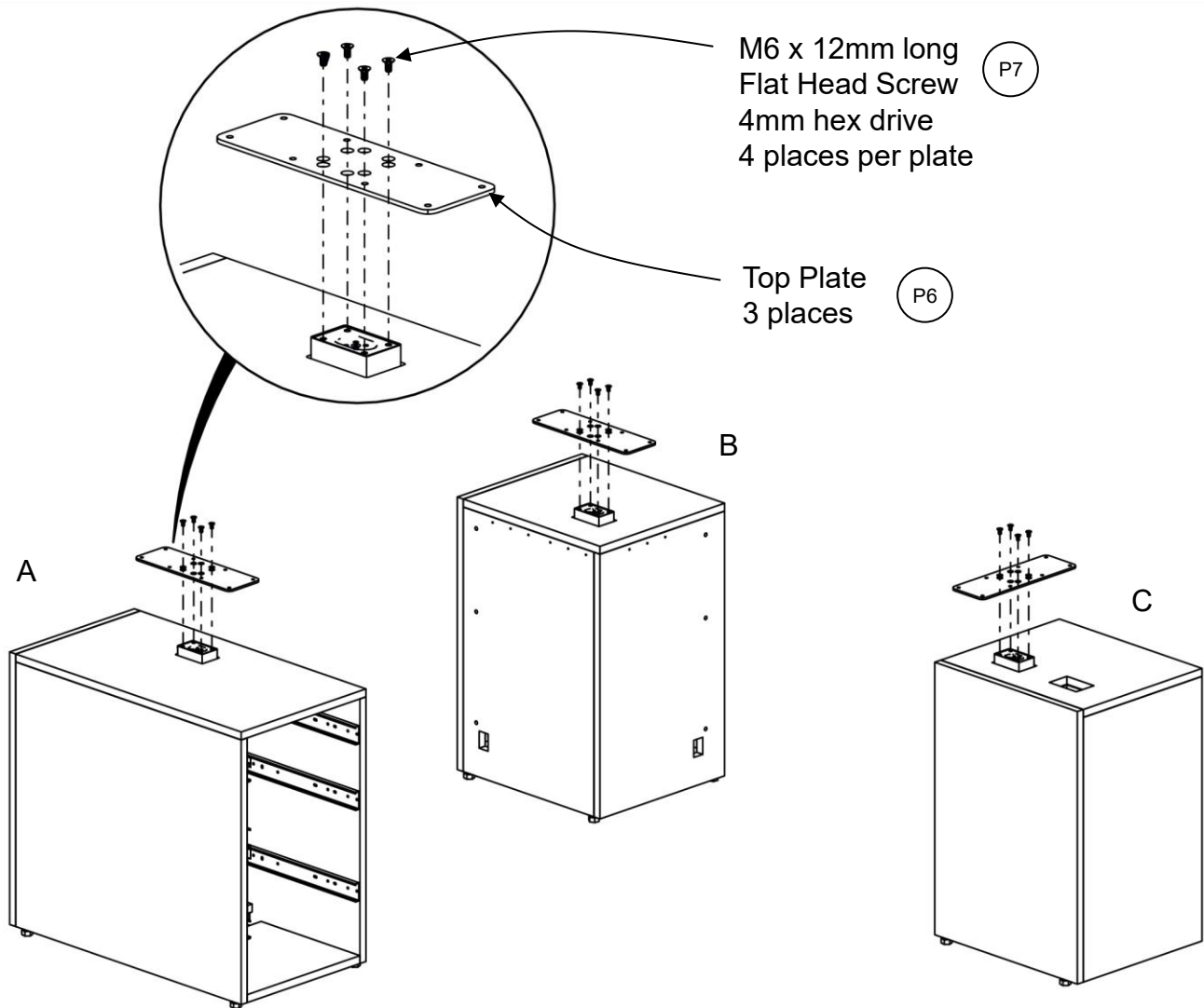
# Executive Floating Height Adjustable 3 Leg Desk Installation Instructions

Step 5: Install height adjustable columns into each cabinet using L-brackets and #10 x 3/4 screws

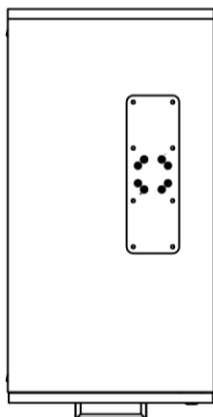


# Executive Floating Height Adjustable 3 Leg Desk Installation Instructions

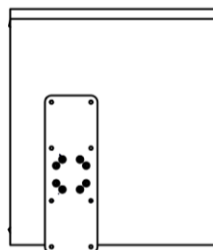
Step 6: Install top plates to columns, using M6 x 12 flat head 4mm hex drive screws, orientate as shown.



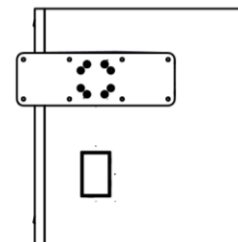
Cabinet A



Cabinet B

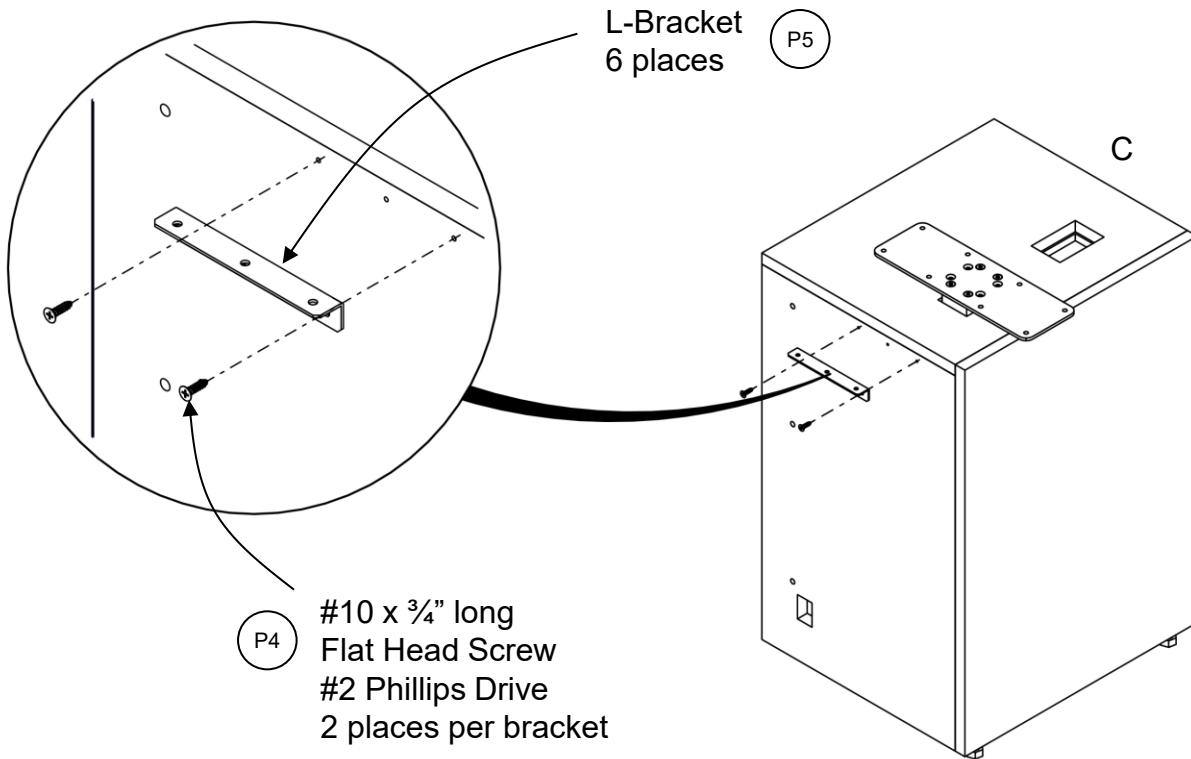
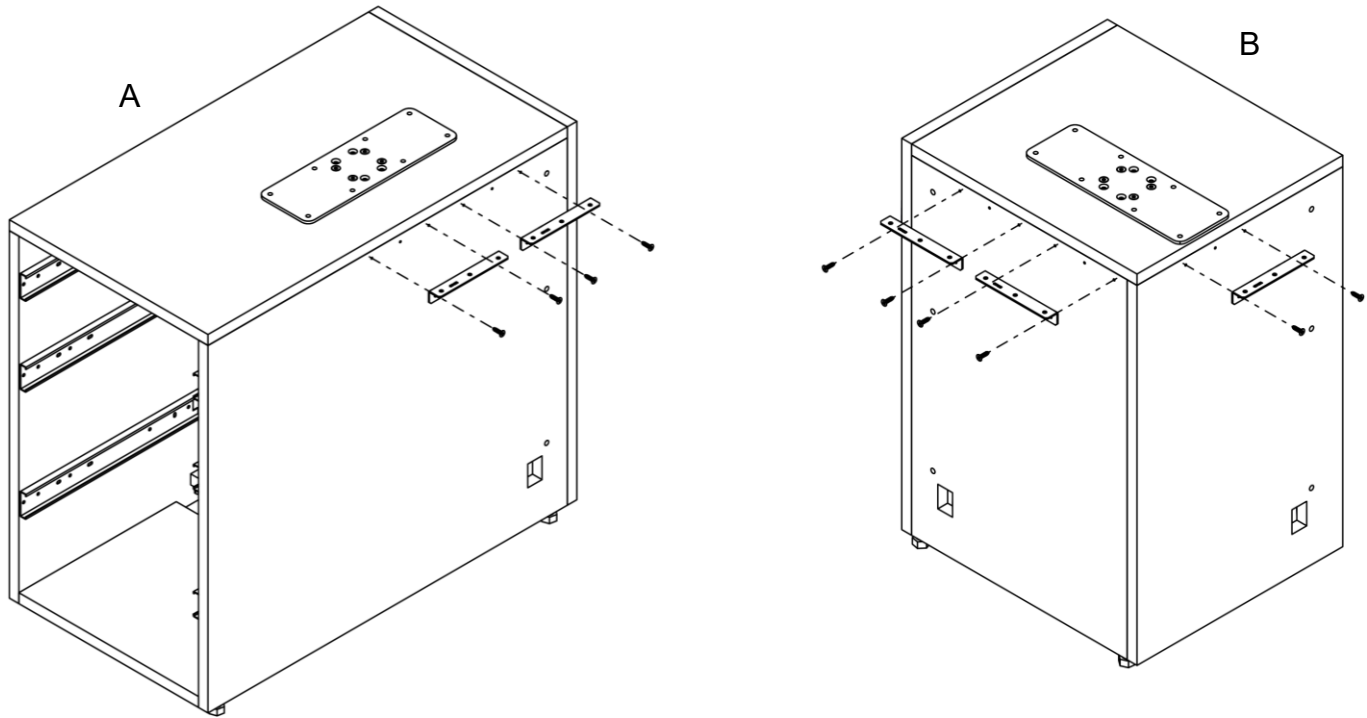


Cabinet C



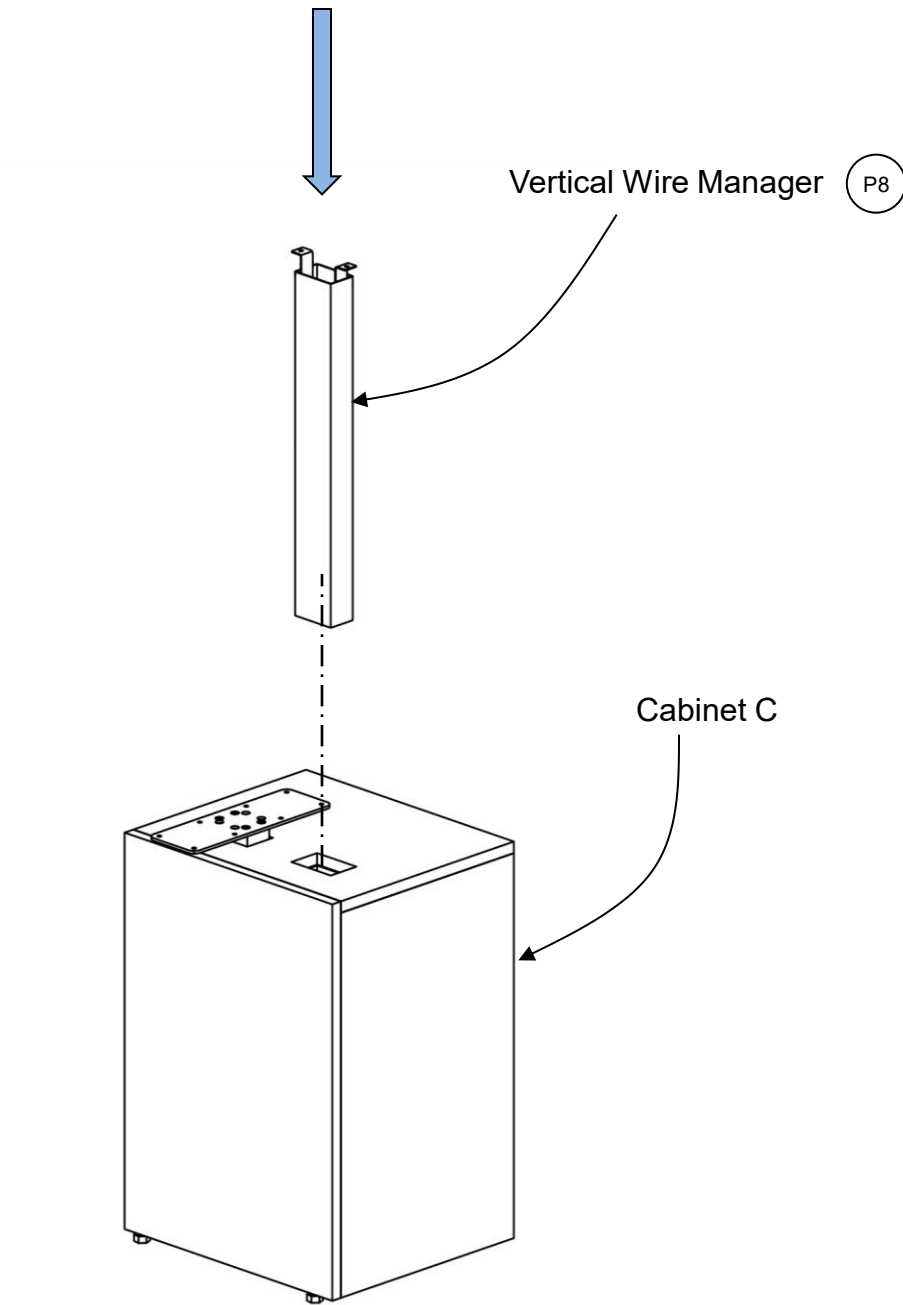
# Executive Floating Height Adjustable 3 Leg Desk Installation Instructions

Step 7: Install I-brackets to cabinets using #10 x 3/4" screws



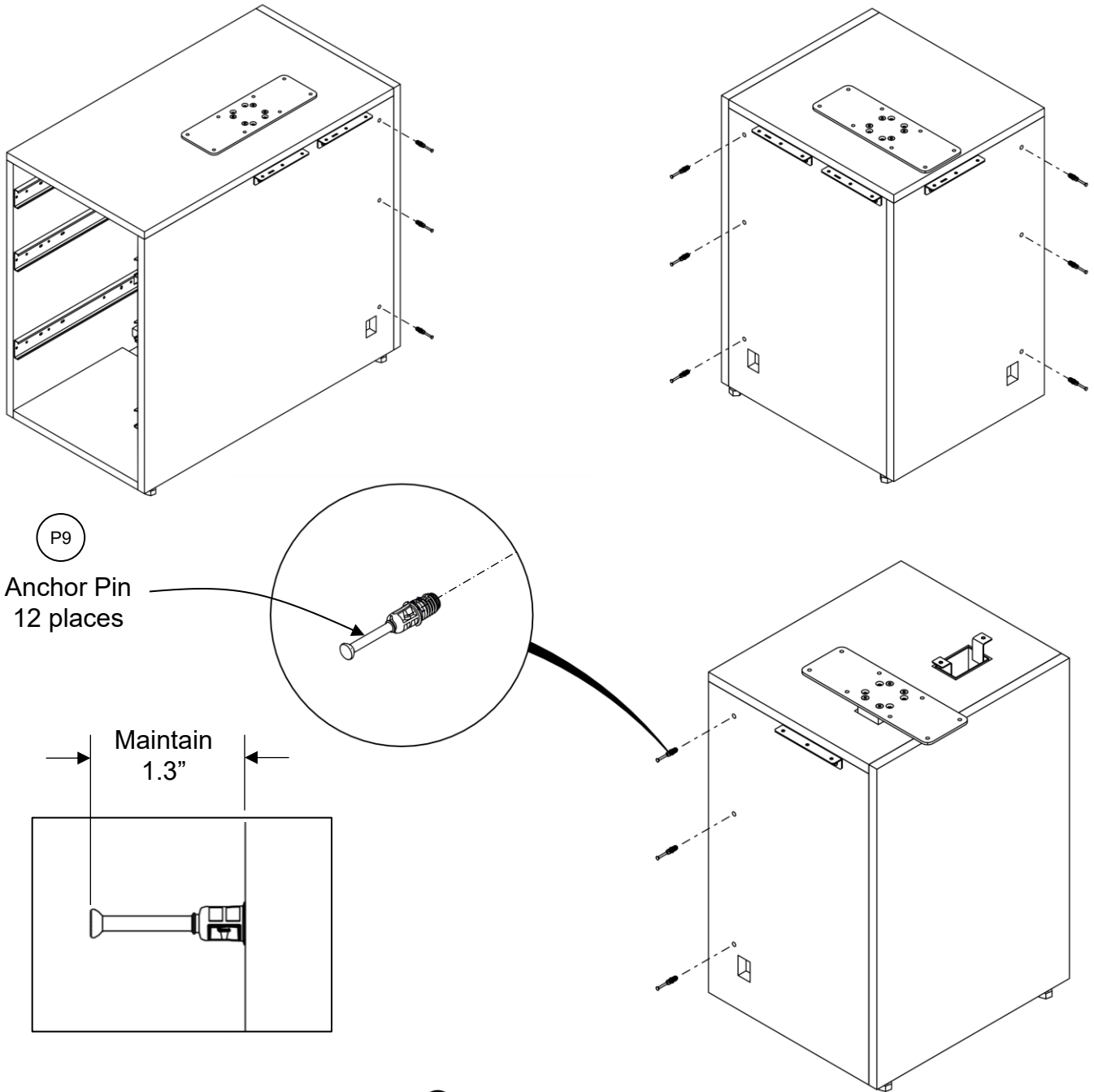
# Executive Floating Height Adjustable 3 Leg Desk Installation Instructions

Step 8: Temporary rest vertical wire manager into wire manager cabinet



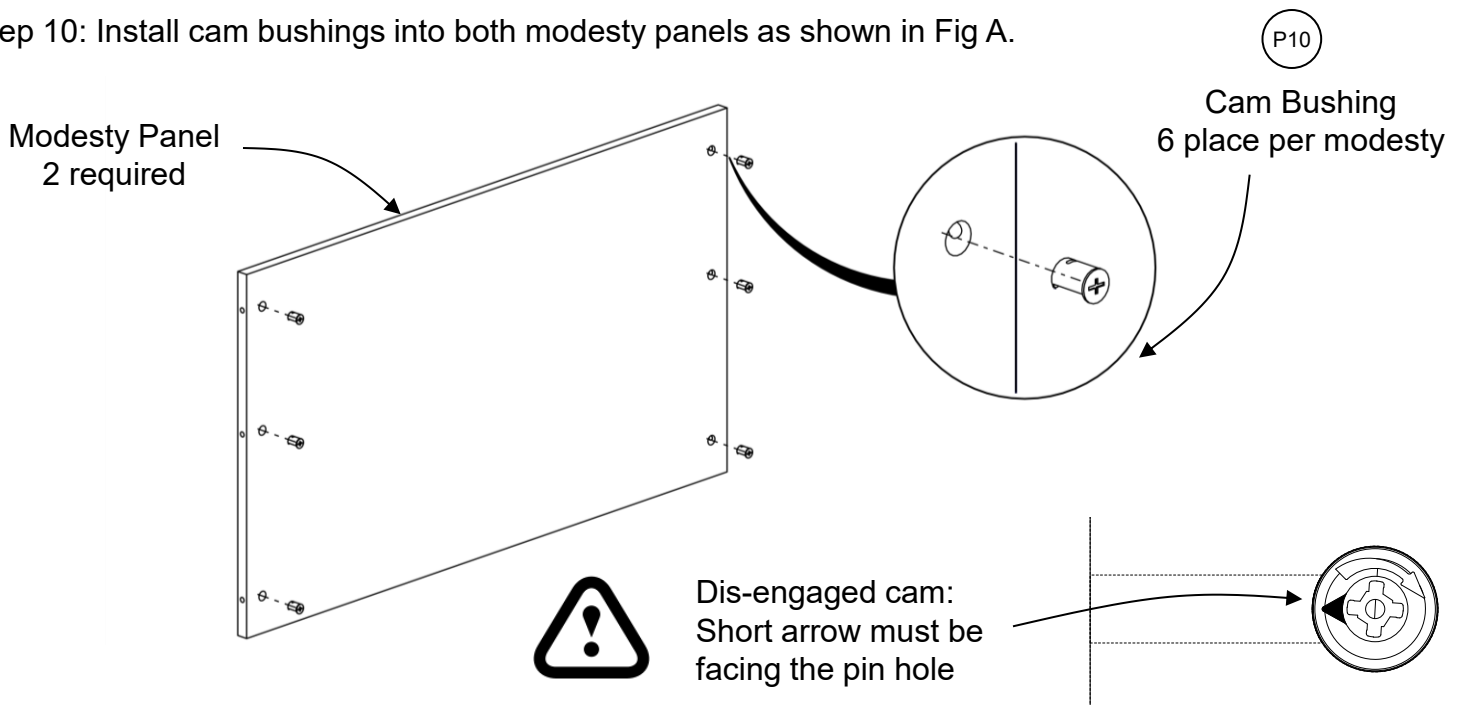
# Executive Floating Height Adjustable 3 Leg Desk Installation Instructions

Step 9: Install anchor pins into all 3 cabinets.

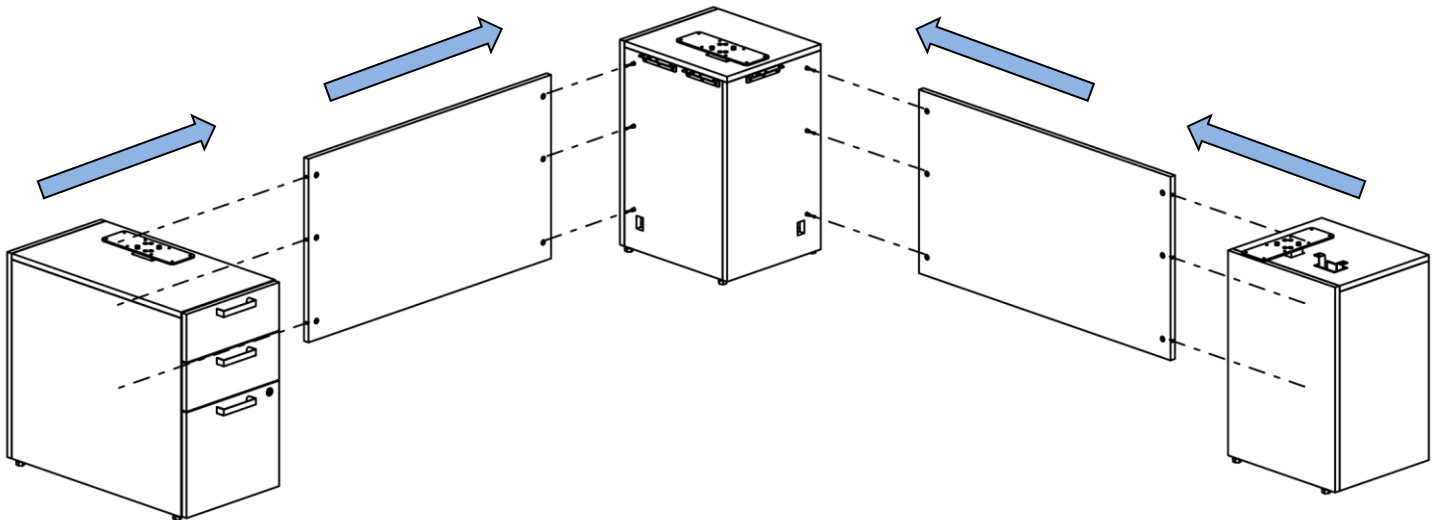


# Executive Floating Height Adjustable 3 Leg Desk Installation Instructions

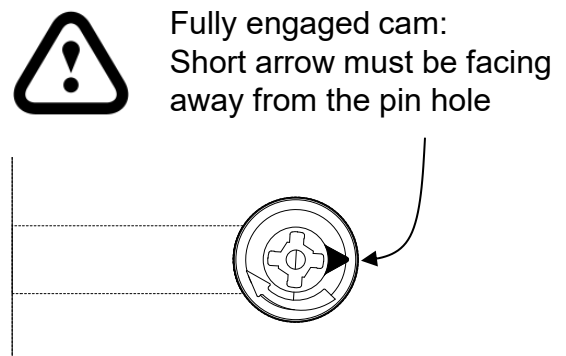
Step 10: Install cam bushings into both modesty panels as shown in Fig A.



Step 11: Align both modesty panels to cabinets and tighten cam bushings as shown in Fig B.

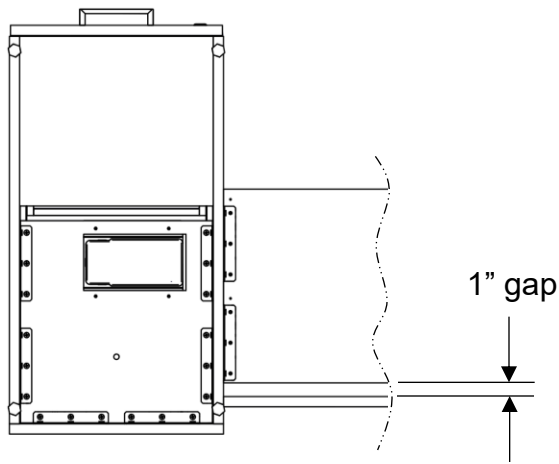
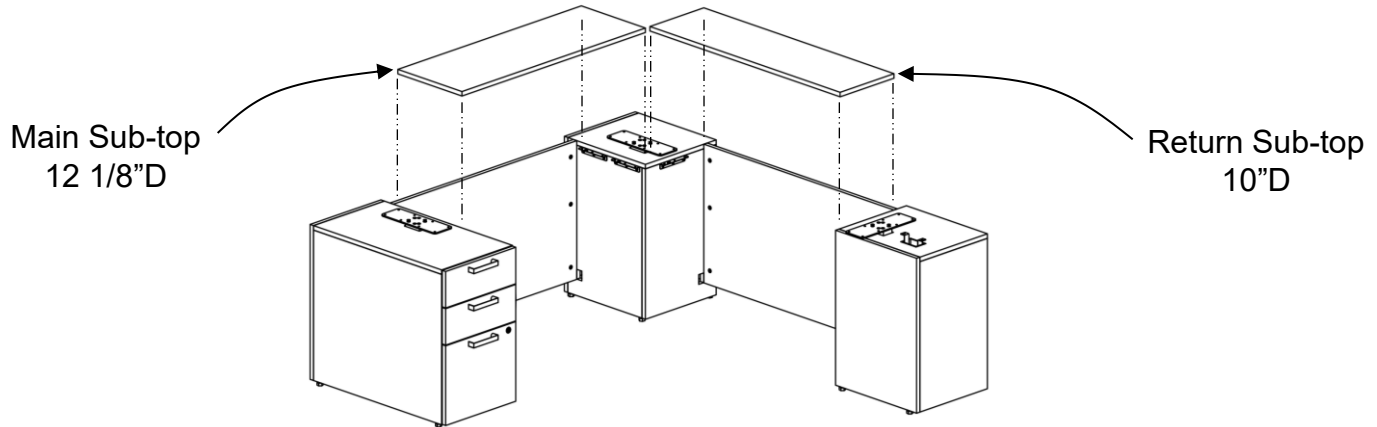


Modesty Nominal	Actual Width
72" W Main worksurface	40 $\frac{5}{8}$ "
78" W Main worksurface	46 $\frac{5}{8}$ "
84" W Main worksurface	52 $\frac{5}{8}$ "
48" W Return worksurface	42 $\frac{1}{8}$ "
54" W Return worksurface	48 $\frac{1}{8}$ "
60" W Return worksurface	54 $\frac{1}{8}$ "

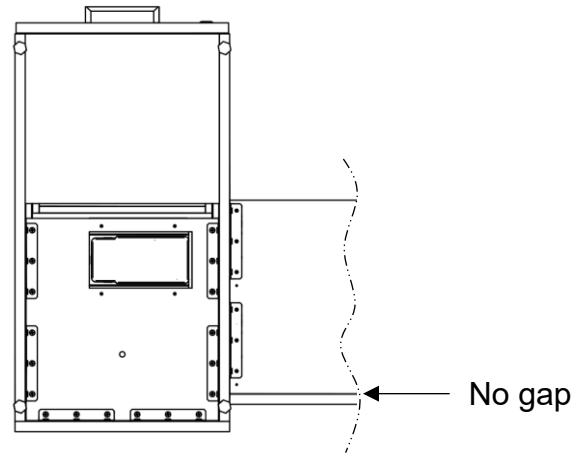


# Executive Floating Height Adjustable 3 Leg Desk Installation Instructions

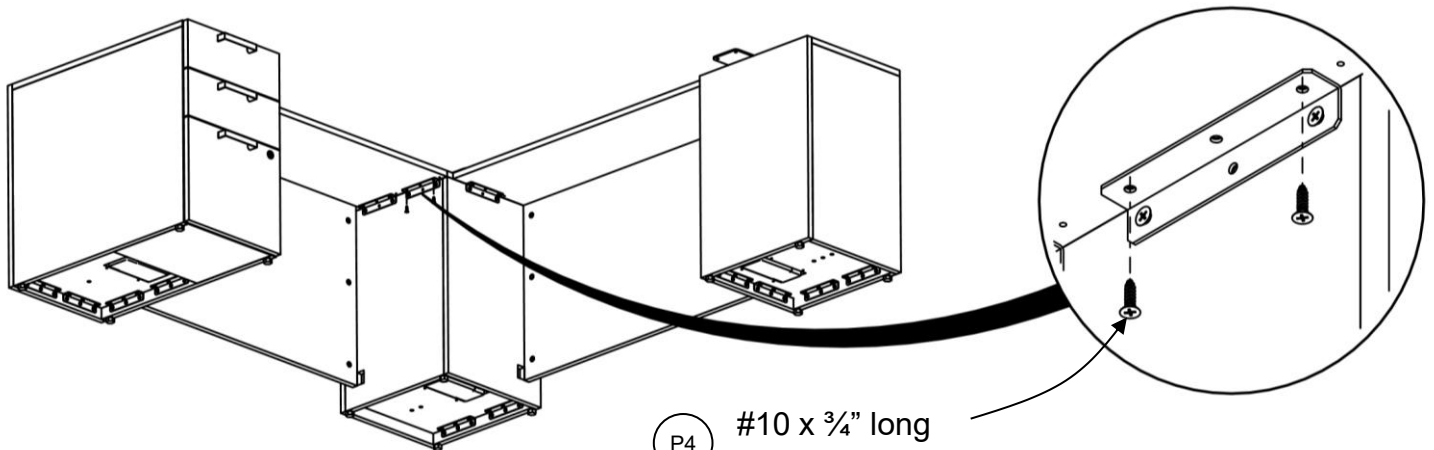
Step 12: Install both sub-tops to I-brackets using #10 x 3/4" screws.



For configurations requiring a suspended modesty



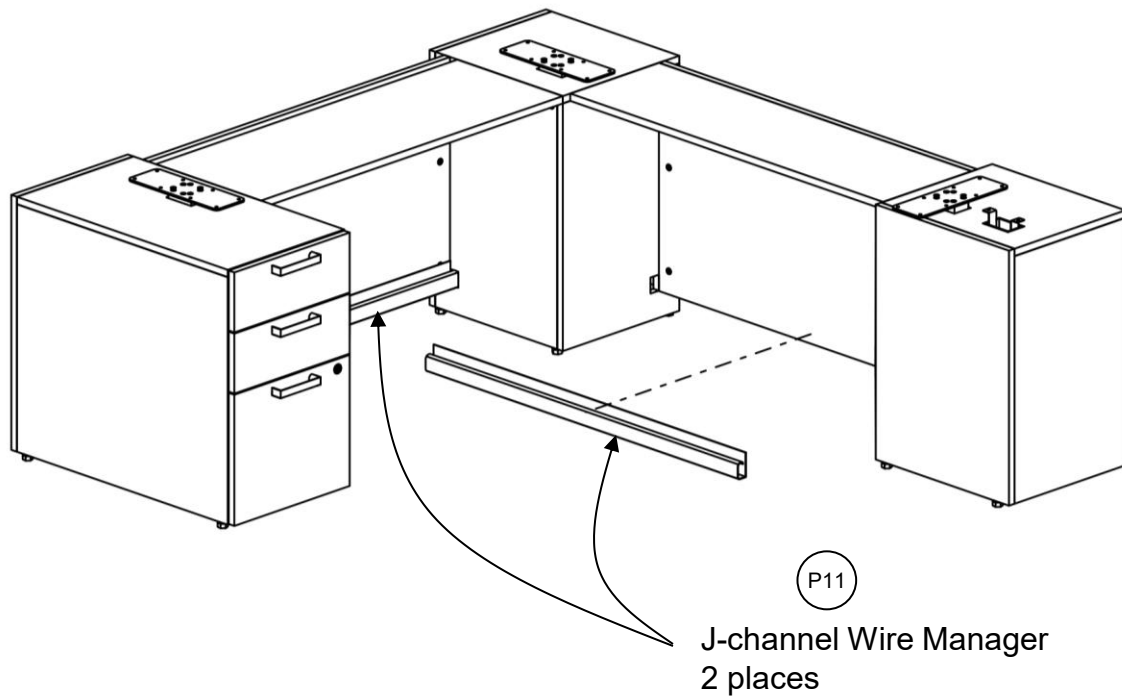
For configurations without a suspended modesty



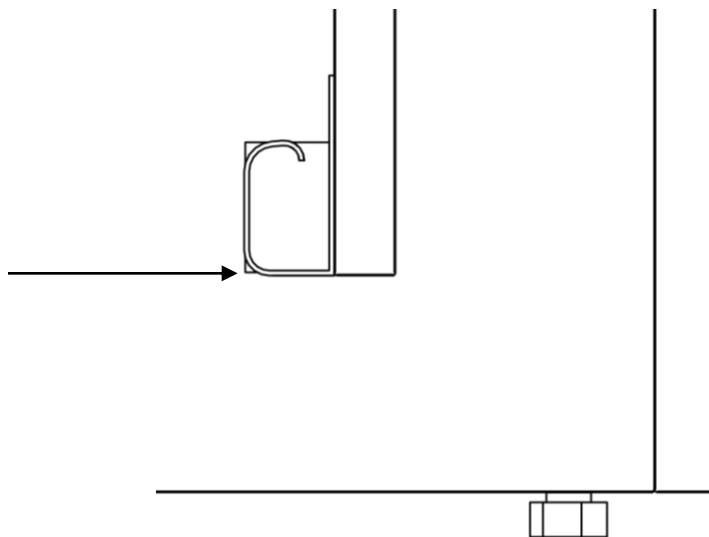
#10 x 3/4" long  
Flat Head Screw  
#2 Phillips Drive  
2 places per bracket

# Executive Floating Height Adjustable 3 Leg Desk Installation Instructions

Step 13: Install J-channel wire managers using adhesive tape.

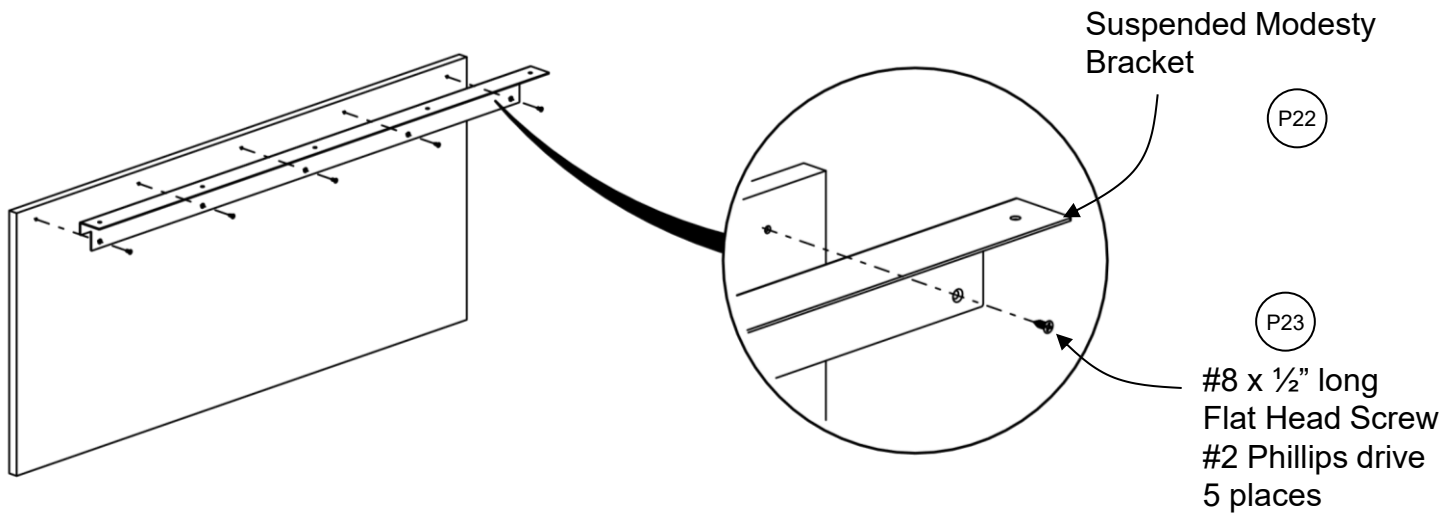


Remove adhesive backing  
and align to the bottom of  
the modesty panel

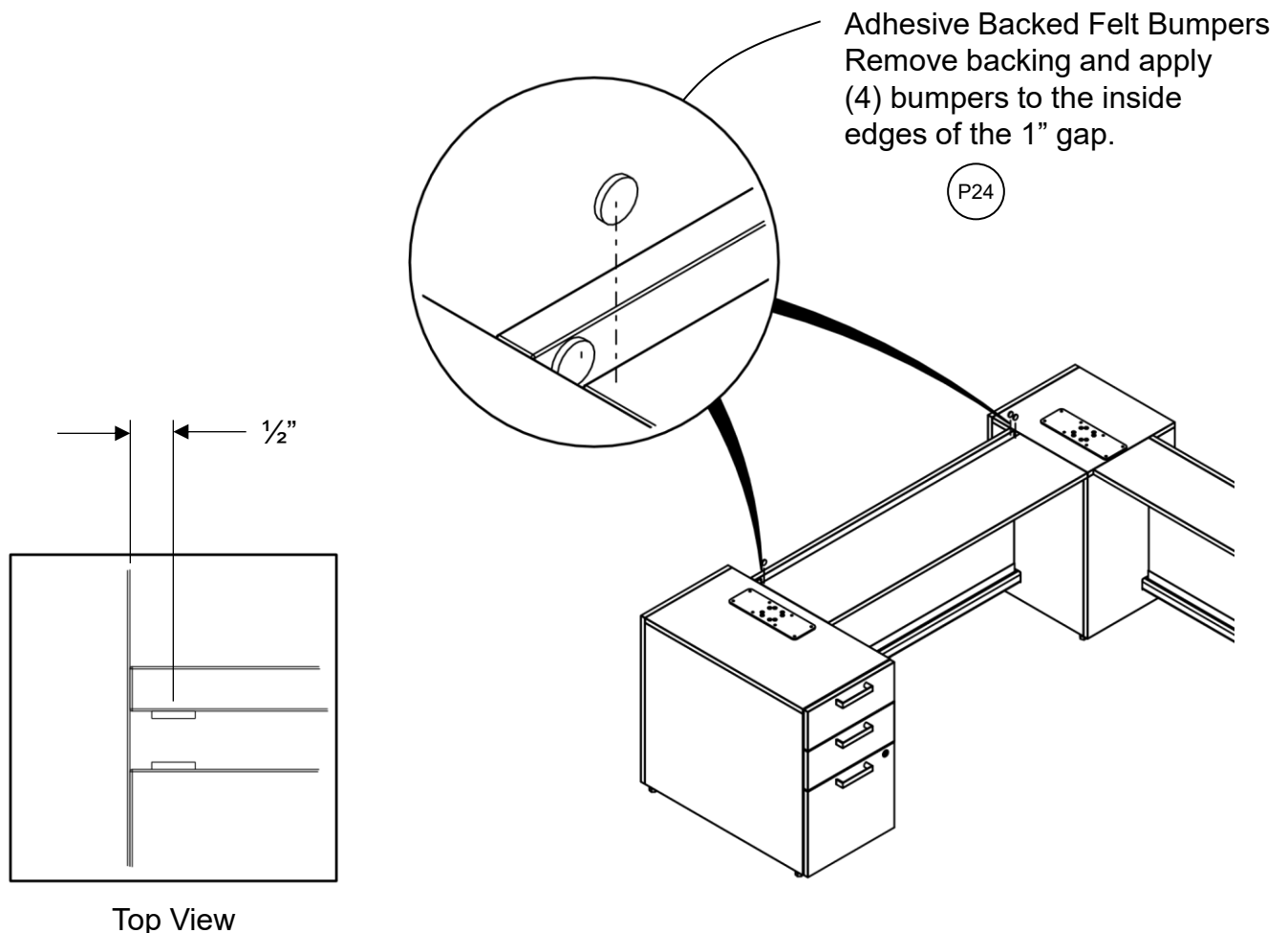


# Executive Floating Height Adjustable 3 Leg Desk Installation Instructions

Step 14a (optional – for suspended modesty only): Install suspended modesty bracket.



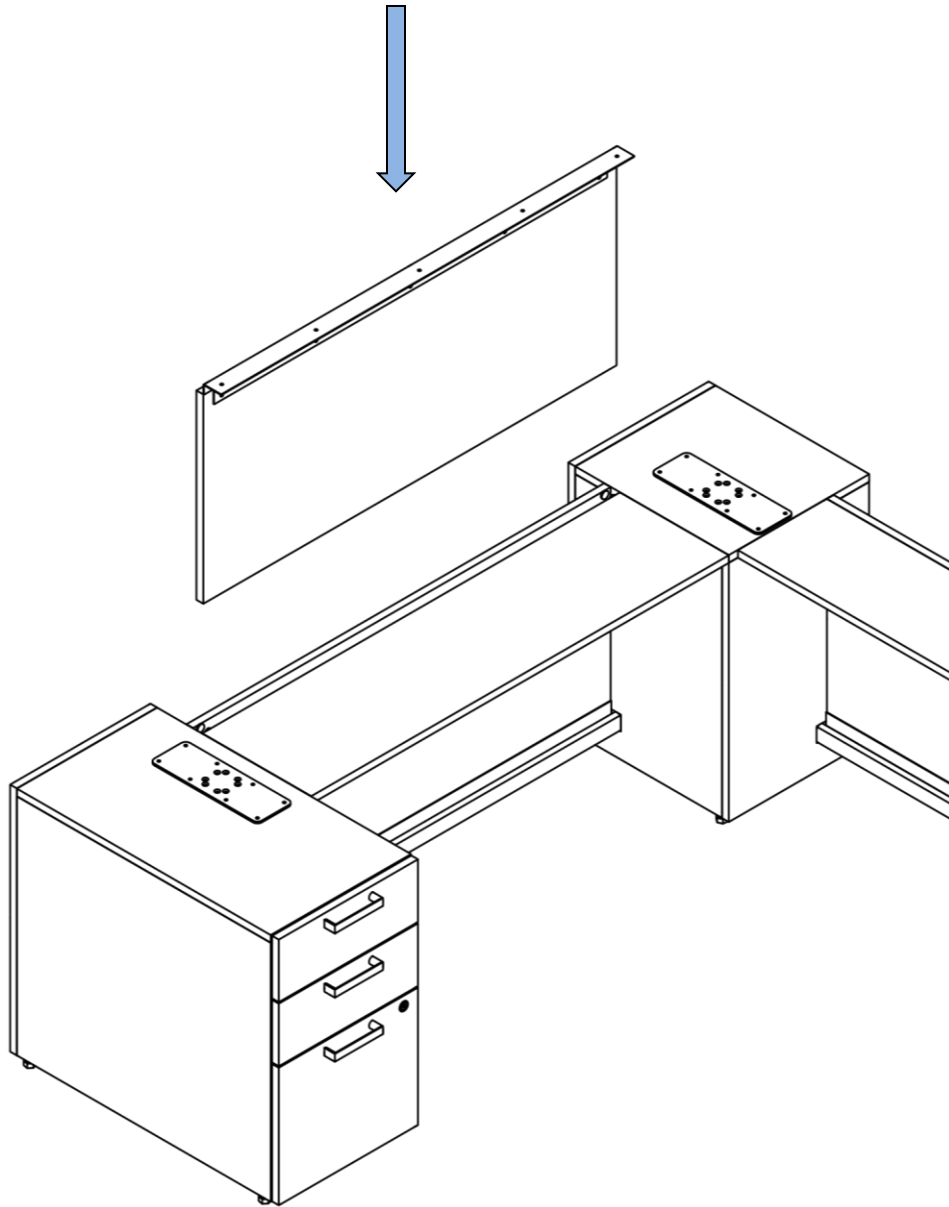
Step 14b (optional – for suspended modesty only): Install felt adhesive bumpers.



# Executive Floating Height Adjustable 3 Leg Desk Installation Instructions

Step 14c (optional – for suspended modesty only): Position suspended modesty into the gap.

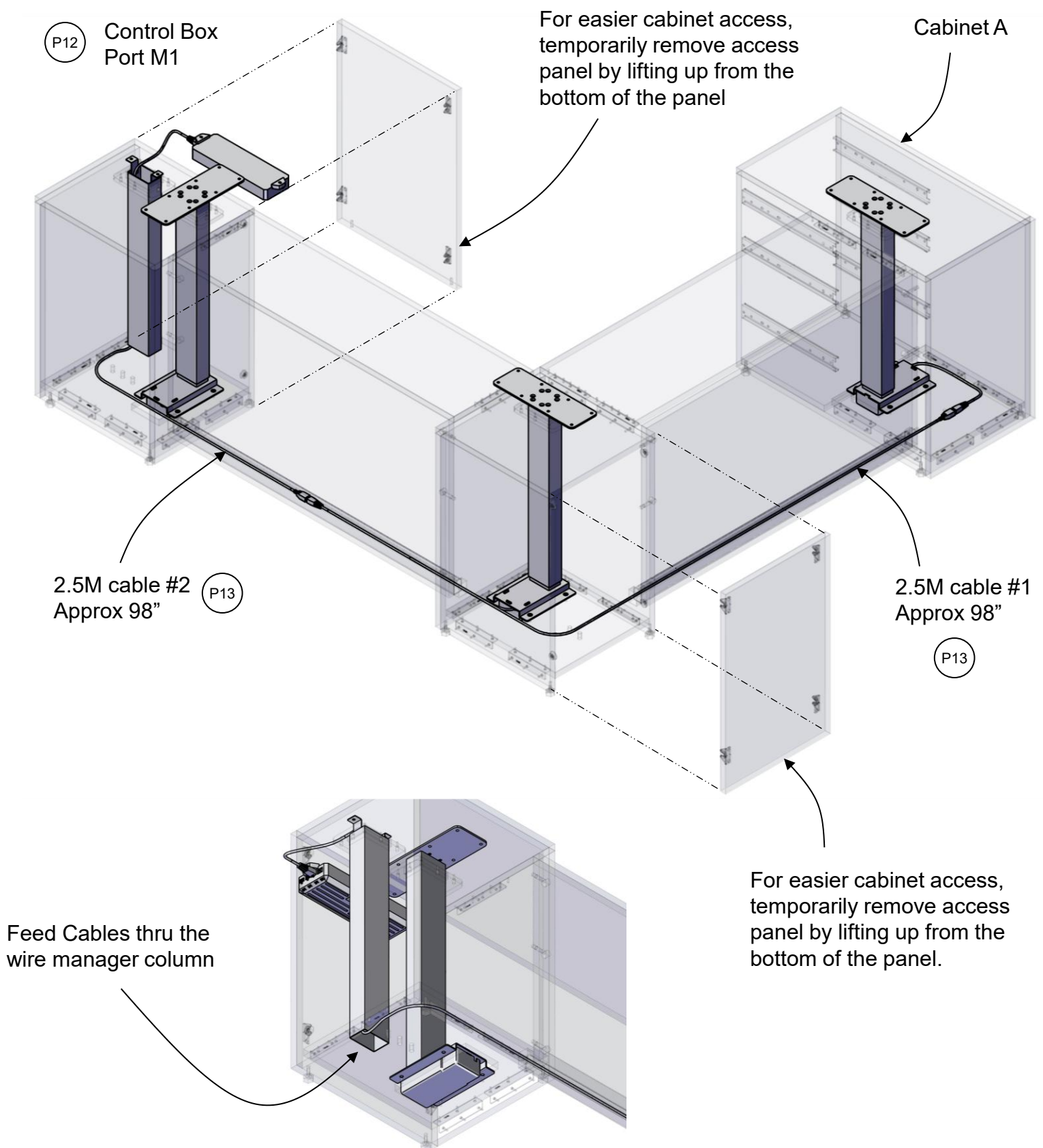
- Position suspended modesty into the 1” gap and continue to next step.
- Suspended modesty will be secured to worksurface once installed.



Suspended Modesty Requirement	Use Suspended Modesty	Actual Width
72" W Main worksurface	X-FHSM72	40 1/8"
78" W Main worksurface	X-FHSM78	46 1/8"
84" W Main worksurface	X-FHSM84	52 1/8"
48" W Return worksurface	X-FHSM72	40 1/8"
54" W Return worksurface	X-FHSM78	46 1/8"
60" W Return worksurface	X-FHSM84	52 1/8"

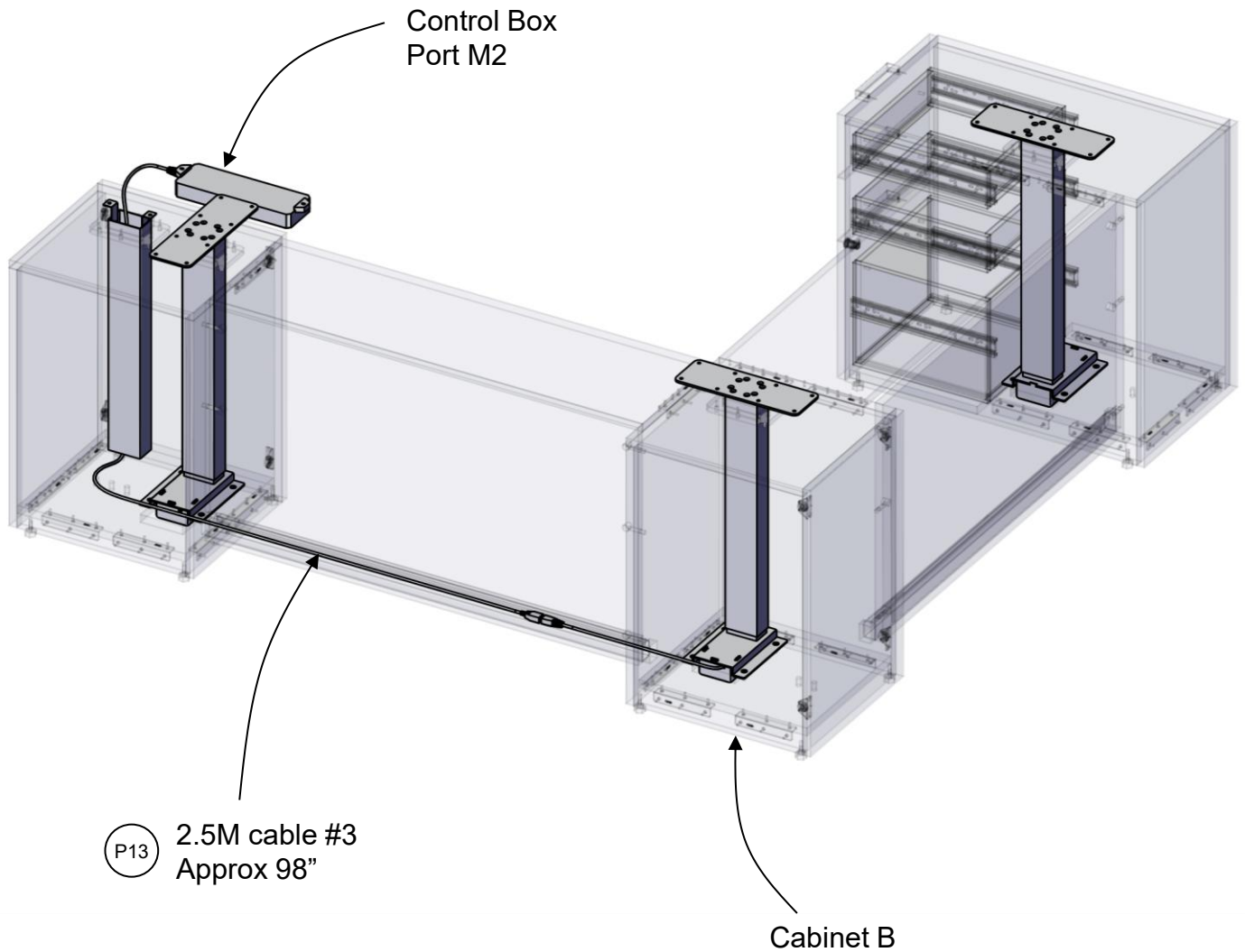
# Executive Floating Height Adjustable 3 Leg Desk Installation Instructions

Step 15: Connect cabinet A to the control box port M1 using (2) 2.5M cables.



# Executive Floating Height Adjustable 3 Leg Desk Installation Instructions

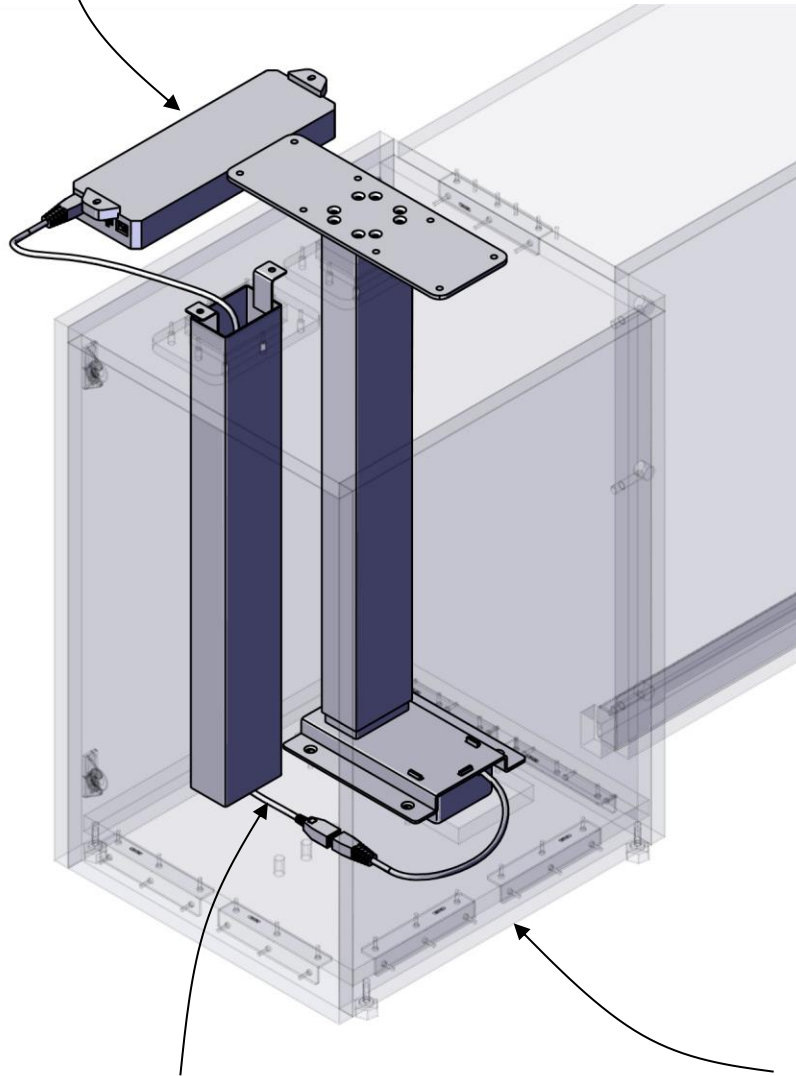
Step 16: Connect cabinet B to the control box port M2 using (1) 2.5M cable.



# Executive Floating Height Adjustable 3 Leg Desk Installation Instructions

Step 17: Connect cabinet C to the control box port M3 using (1) 1.3M cable.

Control Box  
Port M3



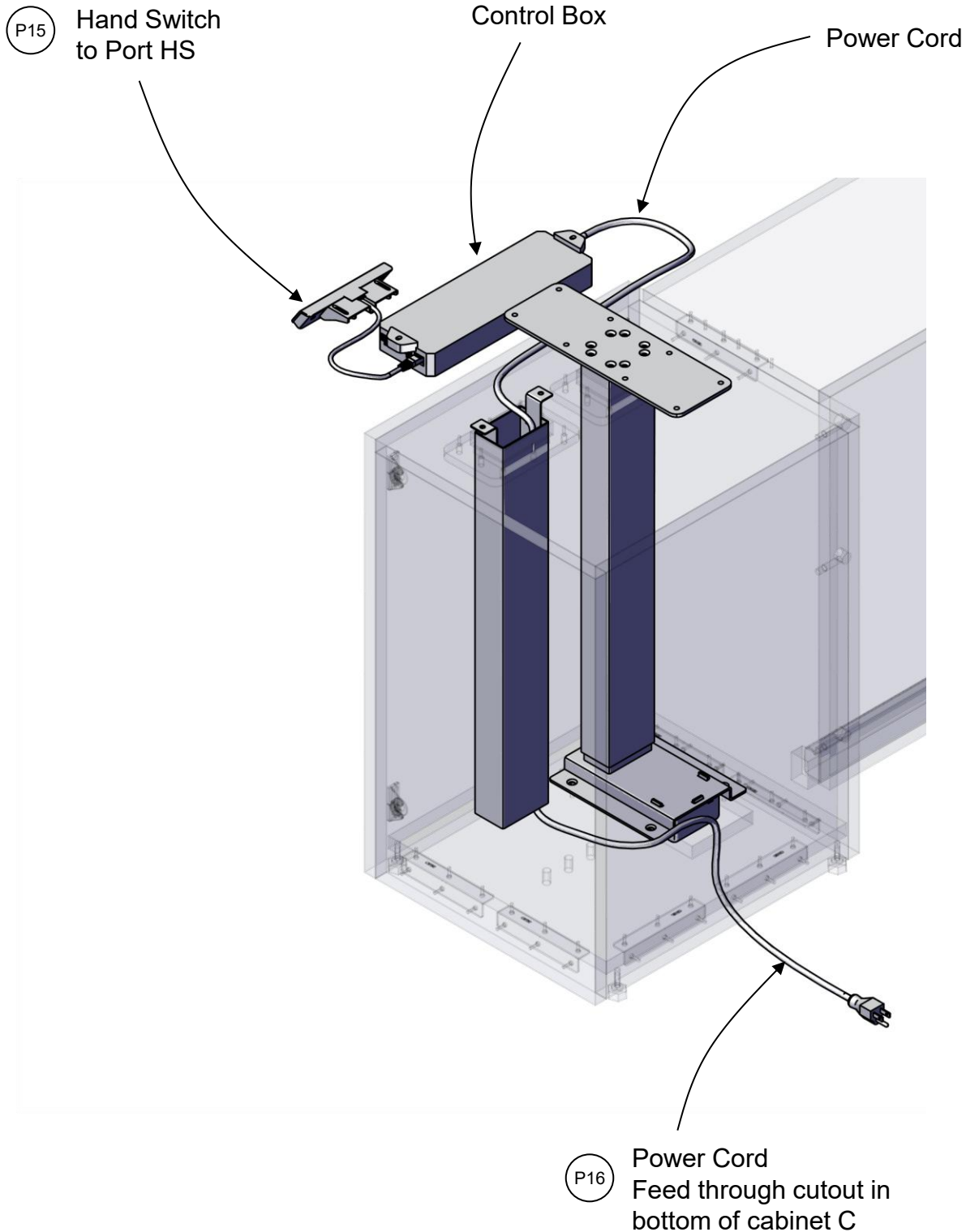
Cabinet C

(P14) 1.3M cable #1  
Approx 51"

# Executive Floating Height Adjustable 3 Leg Desk Installation Instructions

Step 18: Connect the hand switch to the control box port HS.

Step 19: Connect the power cord to the control box. Run cord down through the vertical wire manager and out through the cutout in the bottom of cabinet C.

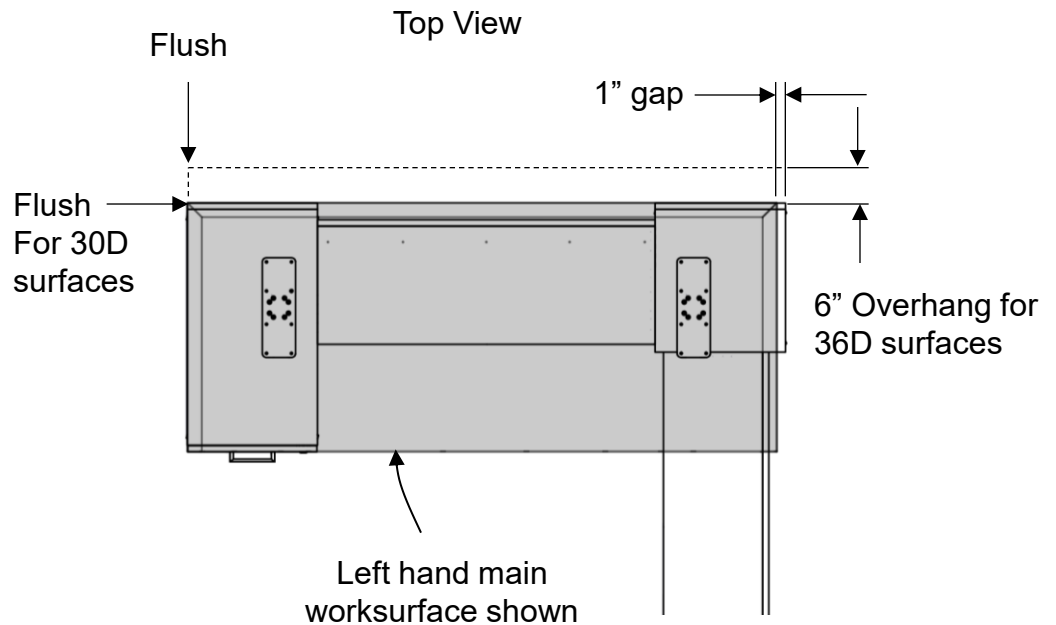
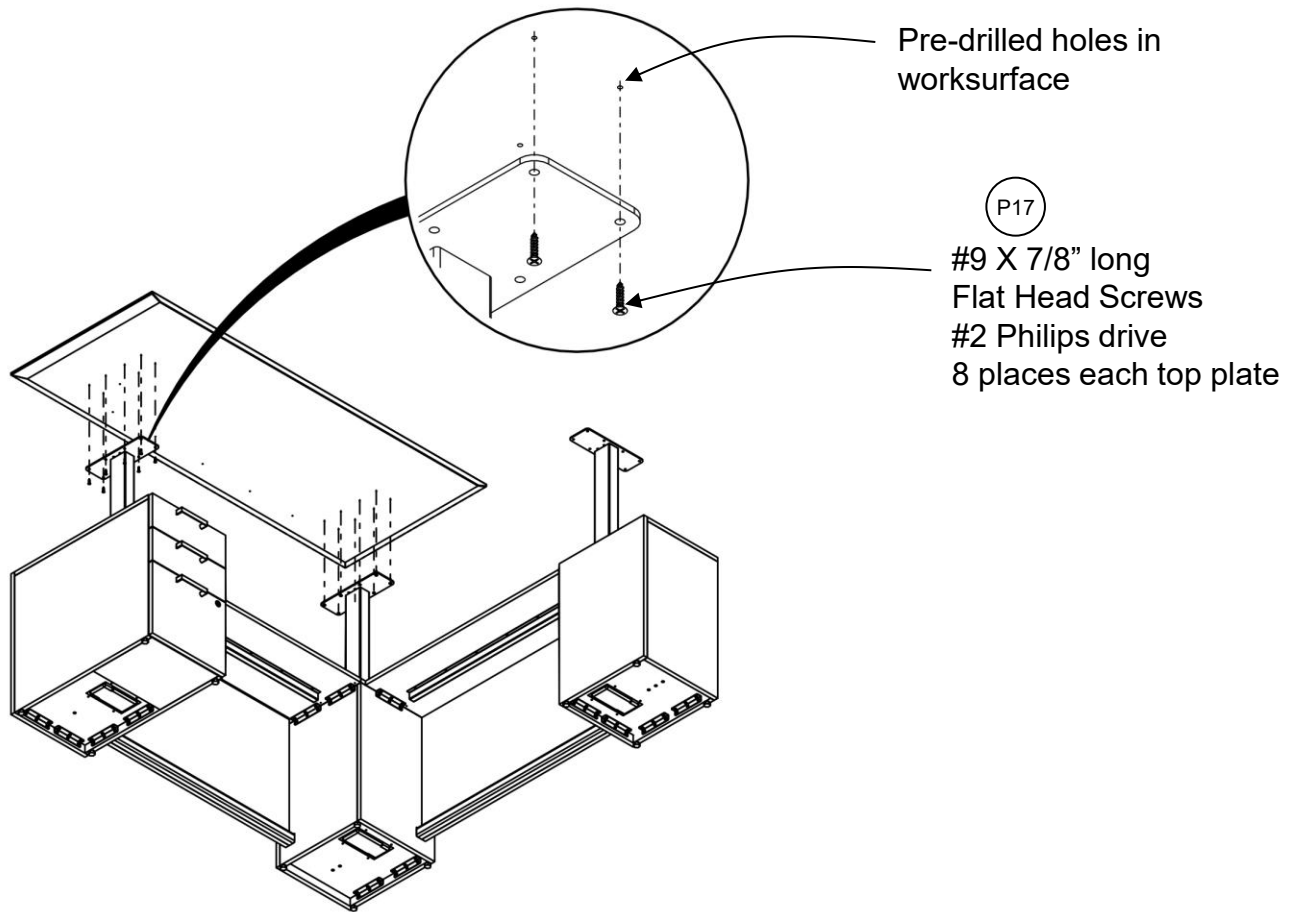


# Executive Floating Height Adjustable 3 Leg Desk Installation Instructions

Step 20: Plug in the control box to an outlet and raise columns to the fully extended height.

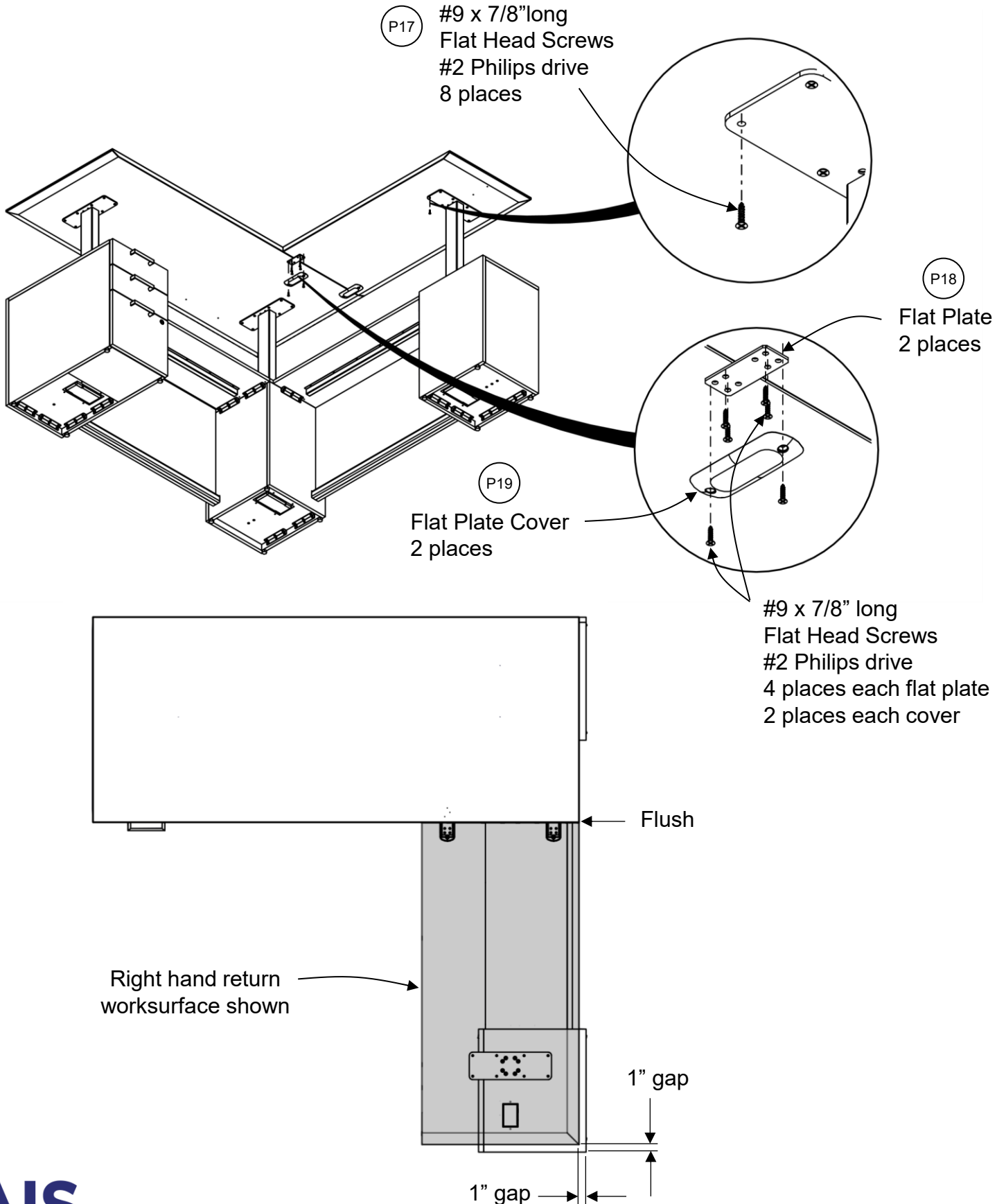
**Note: Rest the control box on the base. The control box must be motionless to properly function.**

Step 21: Position worksurfaces onto the top mounting plates and secure using #9 x 7/8" screws.



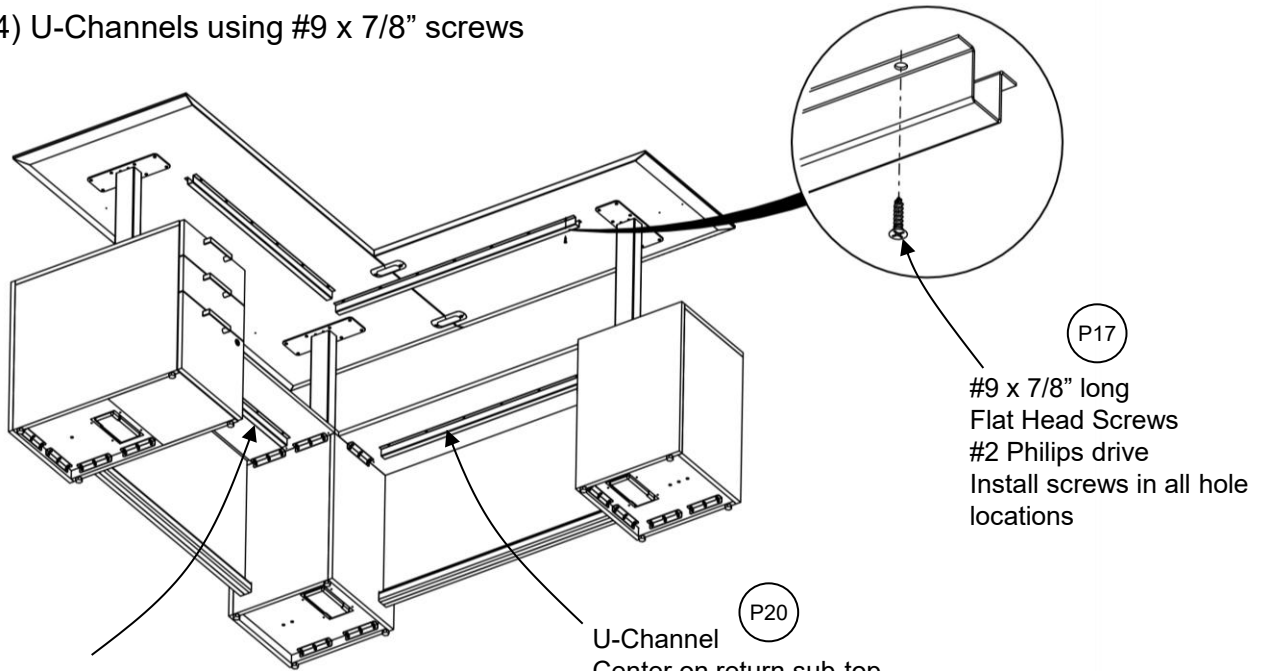
# Executive Floating Height Adjustable 3 Leg Desk Installation Instructions

Step 22: Position the return worksurfaces onto the top mounting plate. Secure in place using flat plates, flat plate covers and #9 x 7/8" screws.



# Executive Floating Height Adjustable 3 Leg Desk Installation Instructions

Step 23: Install (4) U-Channels using #9 x 7/8" screws



P17

#9 x 7/8" long  
Flat Head Screws  
#2 Phillips drive  
Install screws in all hole  
locations

P20

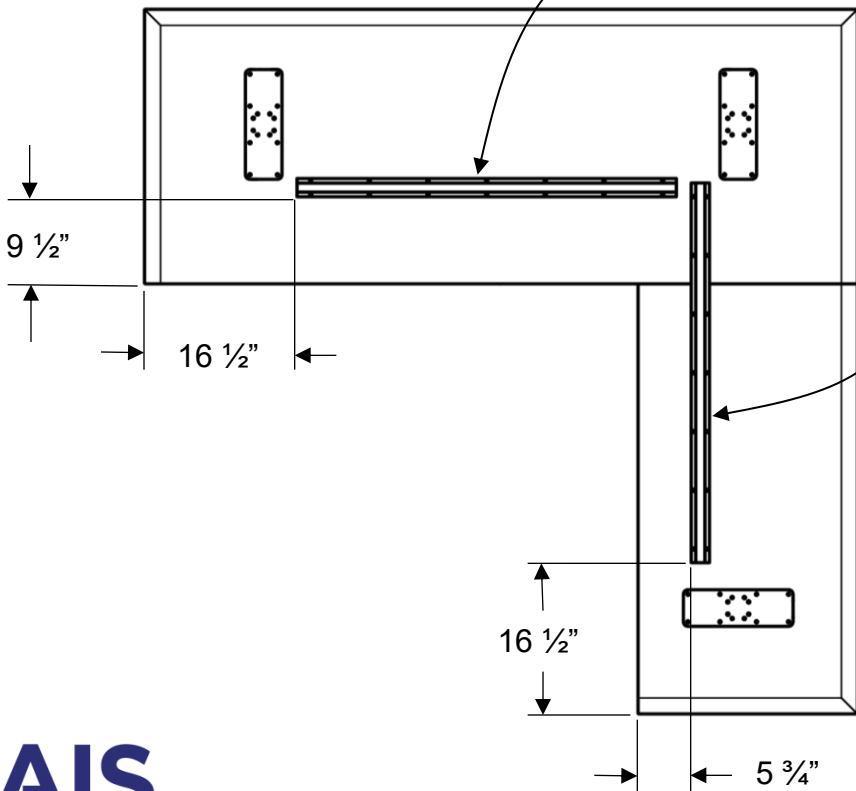
U-Channel  
Center on main sub-top  
72W main = 35.5" long u-channel (36" nominal)  
78W main = 41.5" long u-channel (42" nominal)  
84W main = 47.5" long u-channel (48" nominal)

P20

U-Channel  
Center on return sub-top  
48W return = 35.5" long u-channel (36" nominal)  
54W return = 41.5" long u-channel (42" nominal)  
60W return = 47.5" long u-channel (48" nominal)

P20

U-Channel  
Main worksurface  
72W main = 35.5" long u-channel (36" nominal)  
78W main = 41.5" long u-channel (42" nominal)  
84W main = 47.5" long u-channel (48" nominal)



P20

U-Channel  
Return worksurface  
48W return = 41.5" long u-channel (42" nominal)  
54W return = 47.5" long u-channel (48" nominal)  
60W return = 53.5" long u-channel (54" nominal)



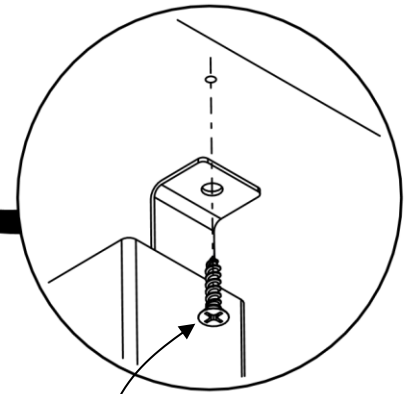
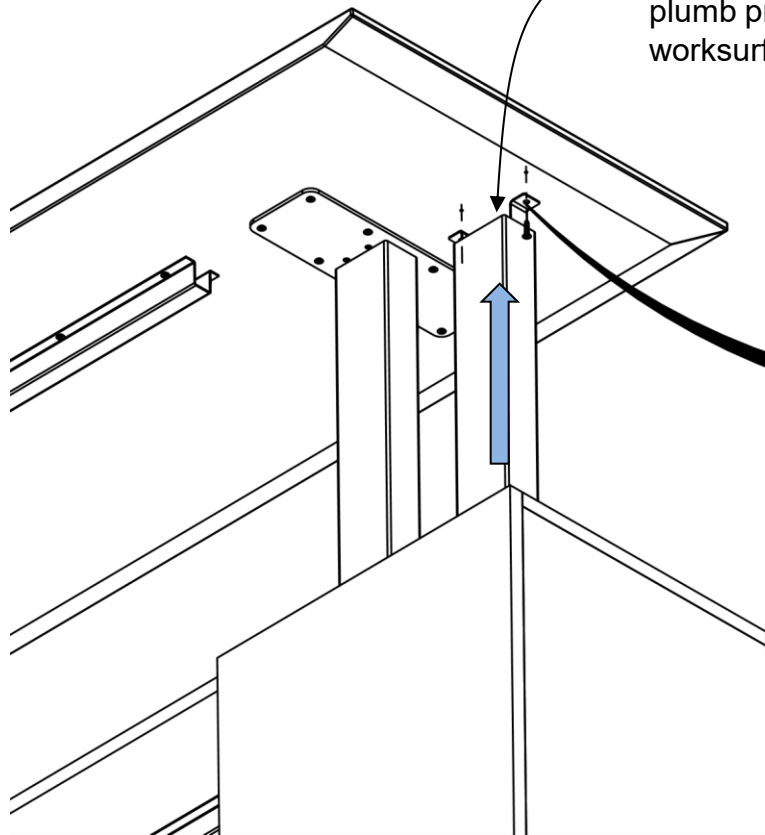
Note:  
Failure to locate U-Channels  
correctly could result in injury.

# Executive Floating Height Adjustable 3 Leg Desk Installation Instructions

Step 24: Lift vertical wire manager column and secure to the worksurface using #10 x 3/4" screws.

Note:  
Wires not shown for clarity.

Make sure vertical wire manager is level and plumb prior to securing to worksurface

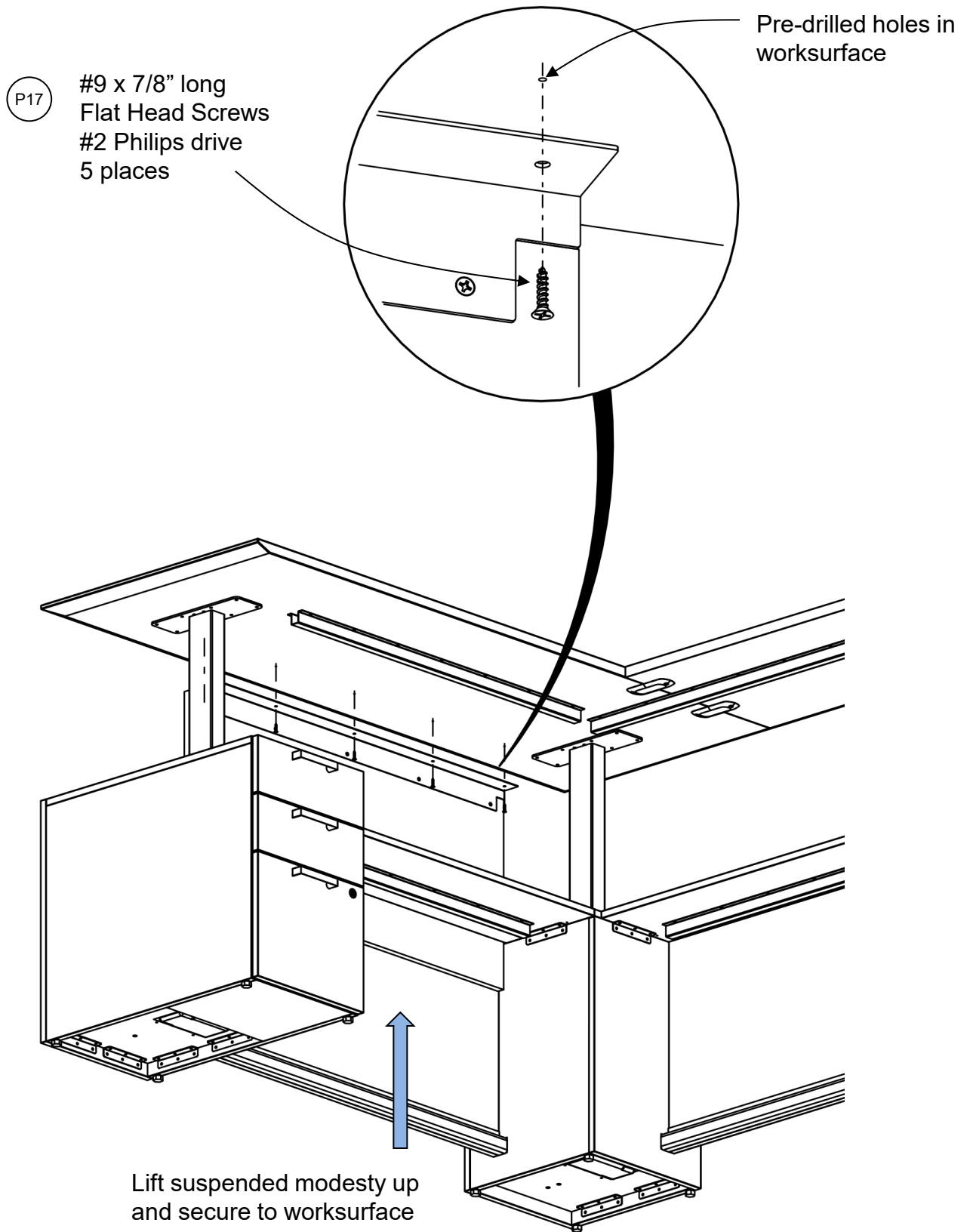


P17

#9 x 7/8" long  
Flat Head Screws  
#2 Philips drive  
4 places

# Executive Floating Height Adjustable 3 Leg Desk Installation Instructions

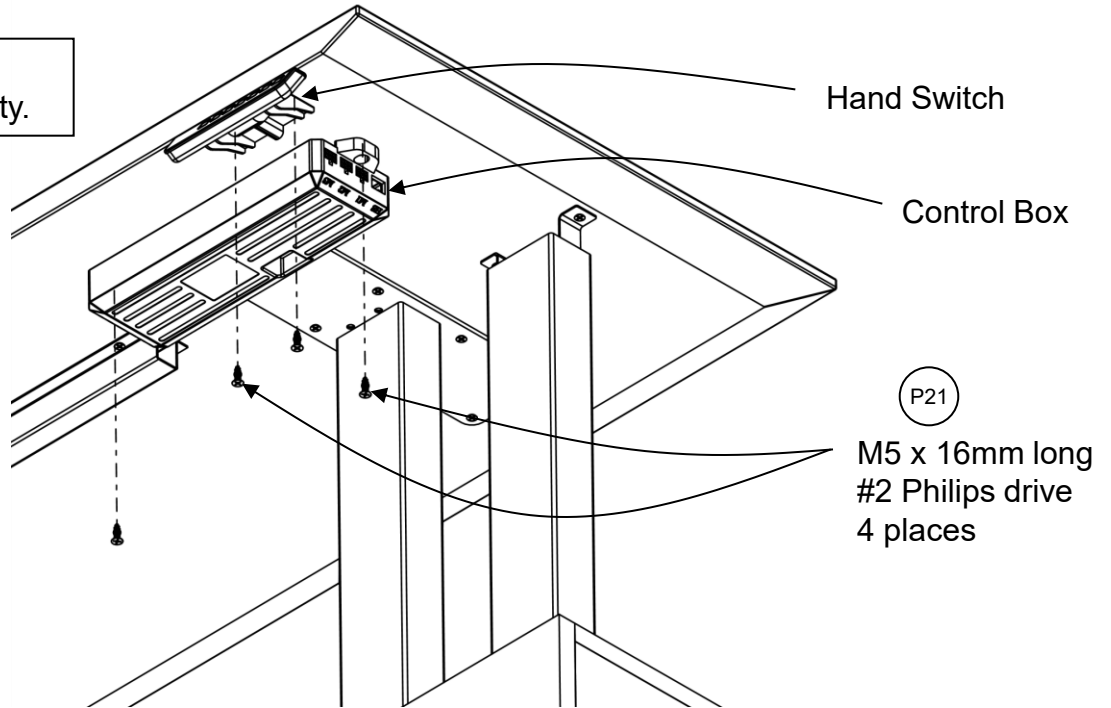
Step 25 (optional – for suspended modesty only): Lift suspended modesty and secure to the worksurface.



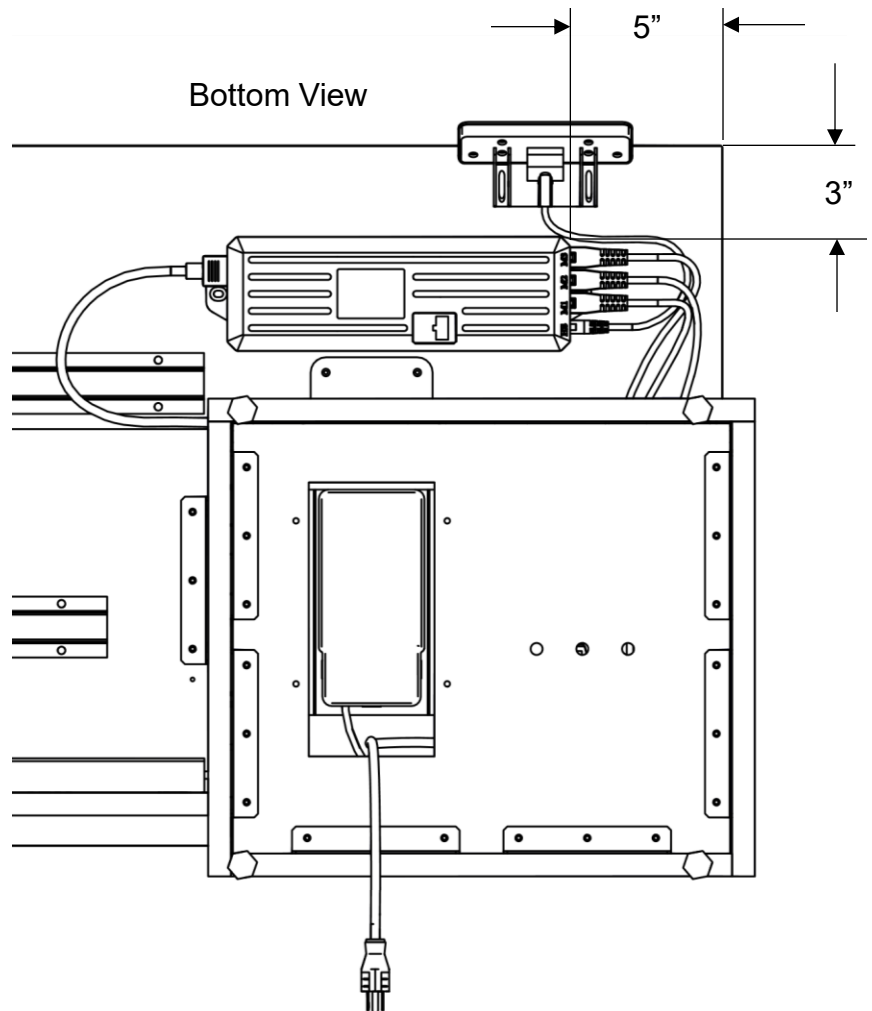
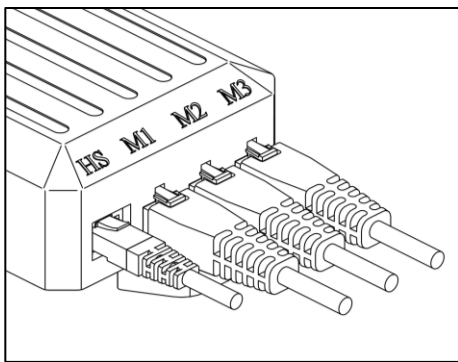
# Executive Floating Height Adjustable 3 Leg Desk Installation Instructions

Step 26: Secure the control box and the hand switch to the worksurface using #10 x 3/4" screws.

Note:  
Wires not shown for clarity.

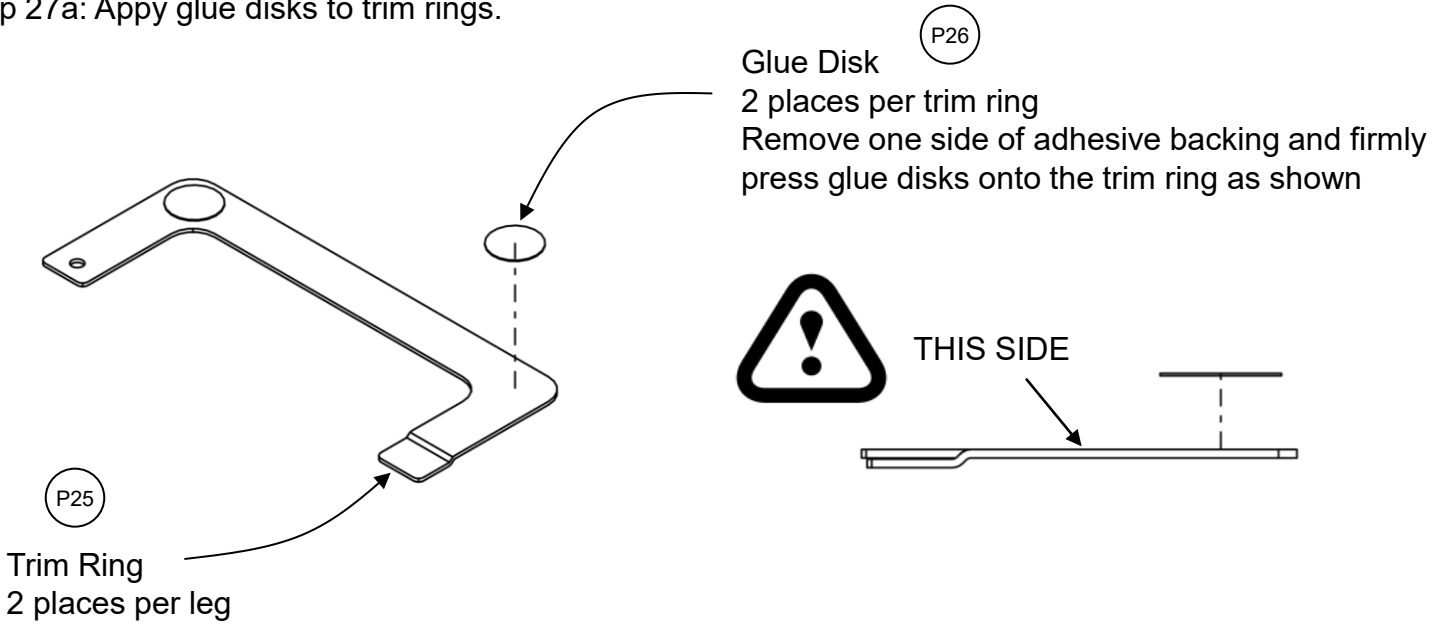


Note:  
Failure to locate control box  
correctly could result in injury.

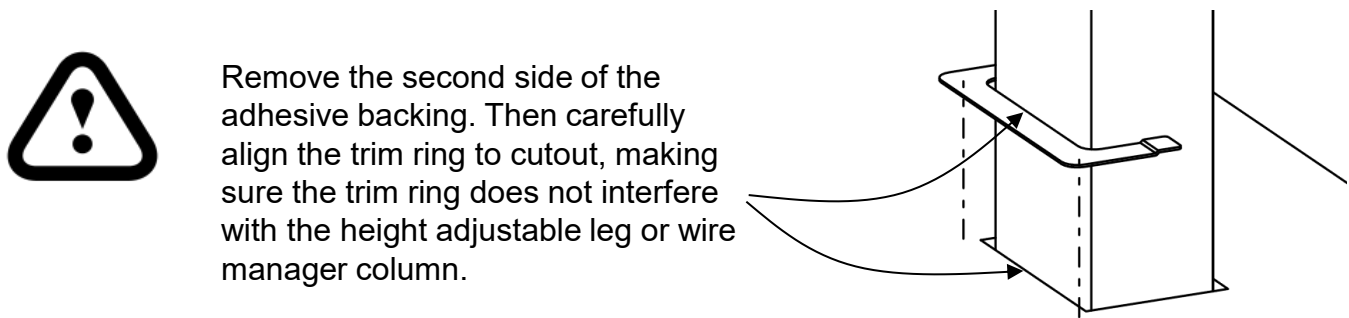


# Executive Floating Height Adjustable 3 Leg Desk Installation Instructions

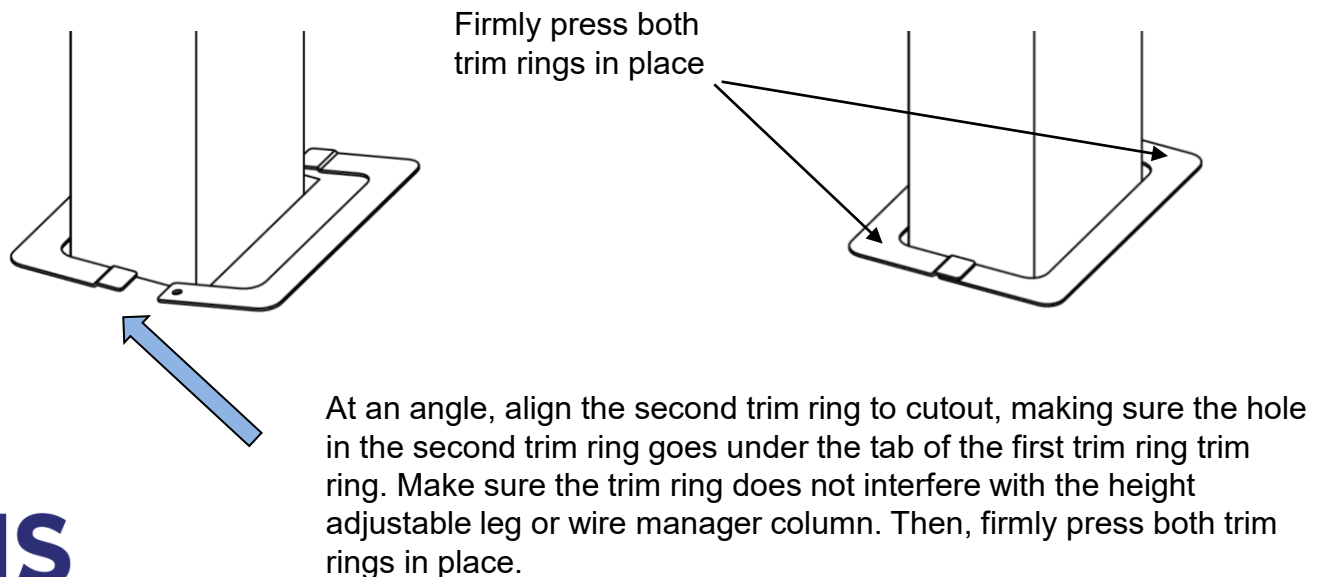
Step 27a: Apply glue disks to trim rings.



Step 27b: Install the first trim rings around height adjustable legs and wire manager column.

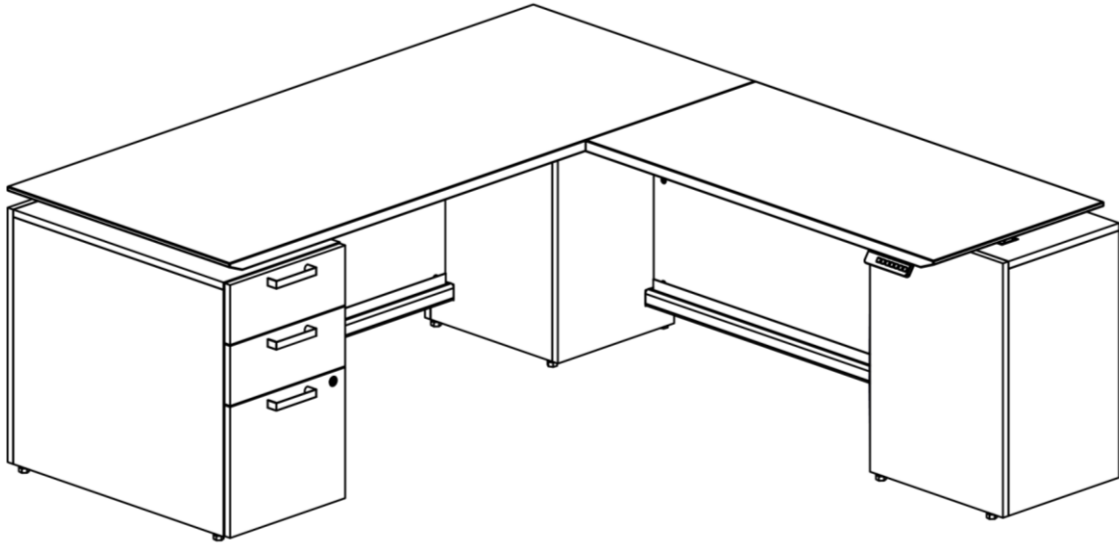


Step 27c: Install the second trim rings around height adjustable legs and wire manager column.



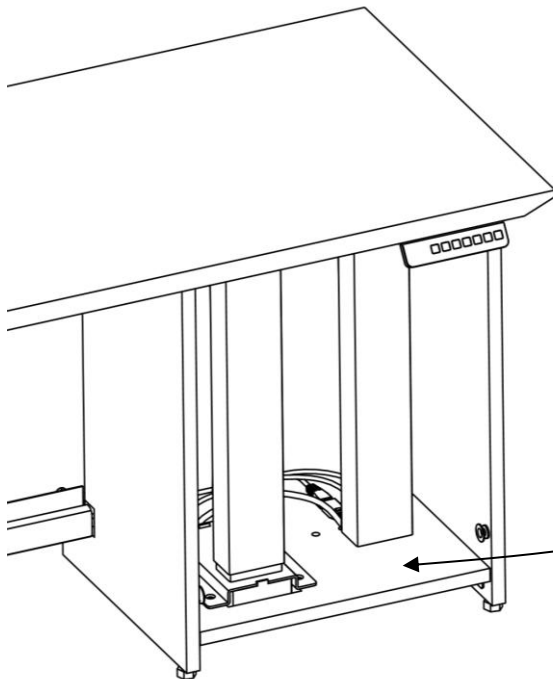
# Executive Floating Height Adjustable 3 Leg Desk Installation Instructions

Step 28: Reinstall all drawers and doors. Test unit for proper functionality.



## Caution!!!

Cabinet C is NOT to be used for storage purposes.



Cabinet C

This area to remain free and clear for wires to bend freely and move with wire manager.  
**DO NOT PLACE ANYTHING UNDER WIRE MANAGER!**

# Executive Floating Height Adjustable 3 Leg Desk Installation Instructions

**\*\*\*Save these instructions\*\*\***