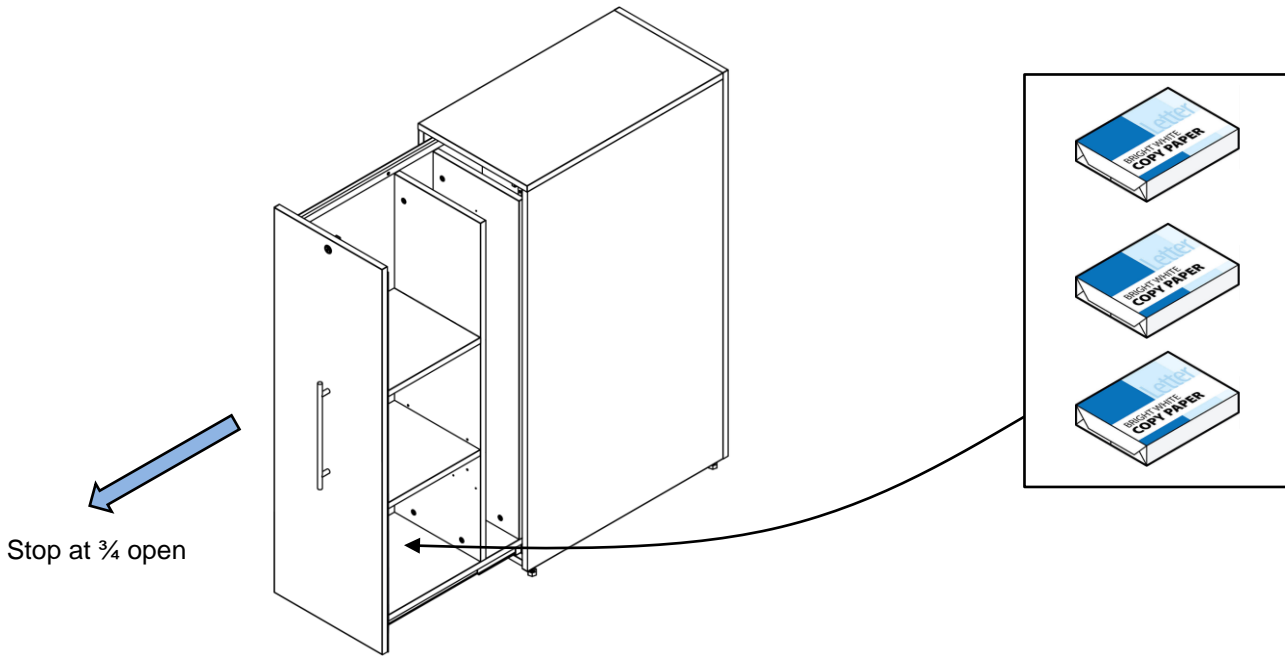


Side Access Roll Out Tower Instructions

Step 1: Level the roll out tower and pull the door out to 3/4 open. Put 3 reams of paper onto the bottom shelf for weight.



Step 2: Adjust front two glides until the front caster is just touching the floor.

