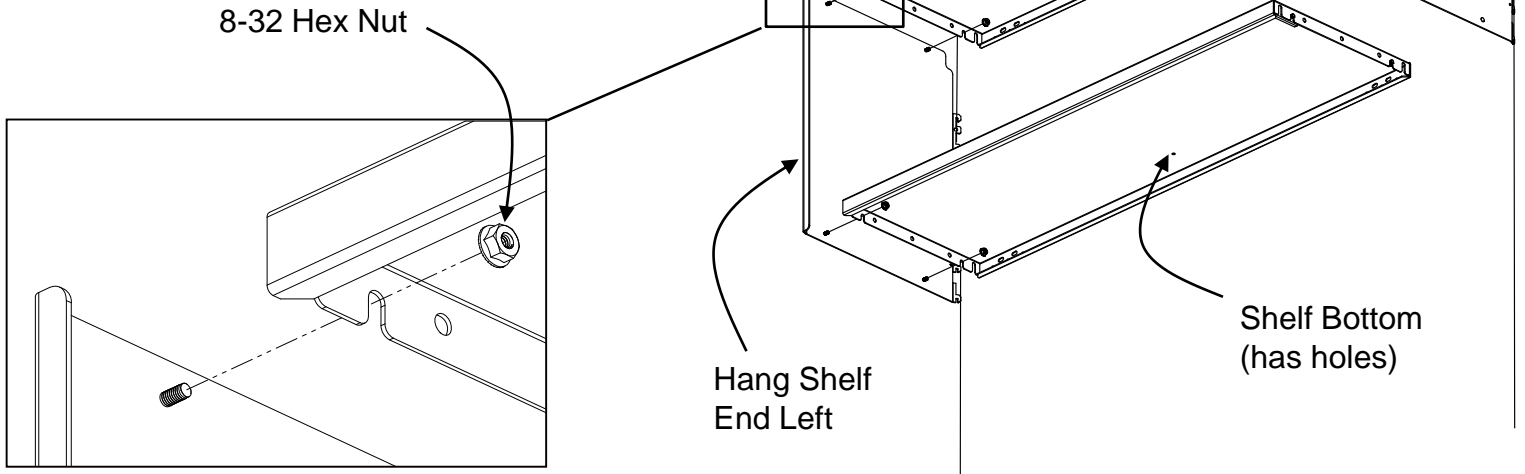


Metal Sliding Door Overhead

Step 1

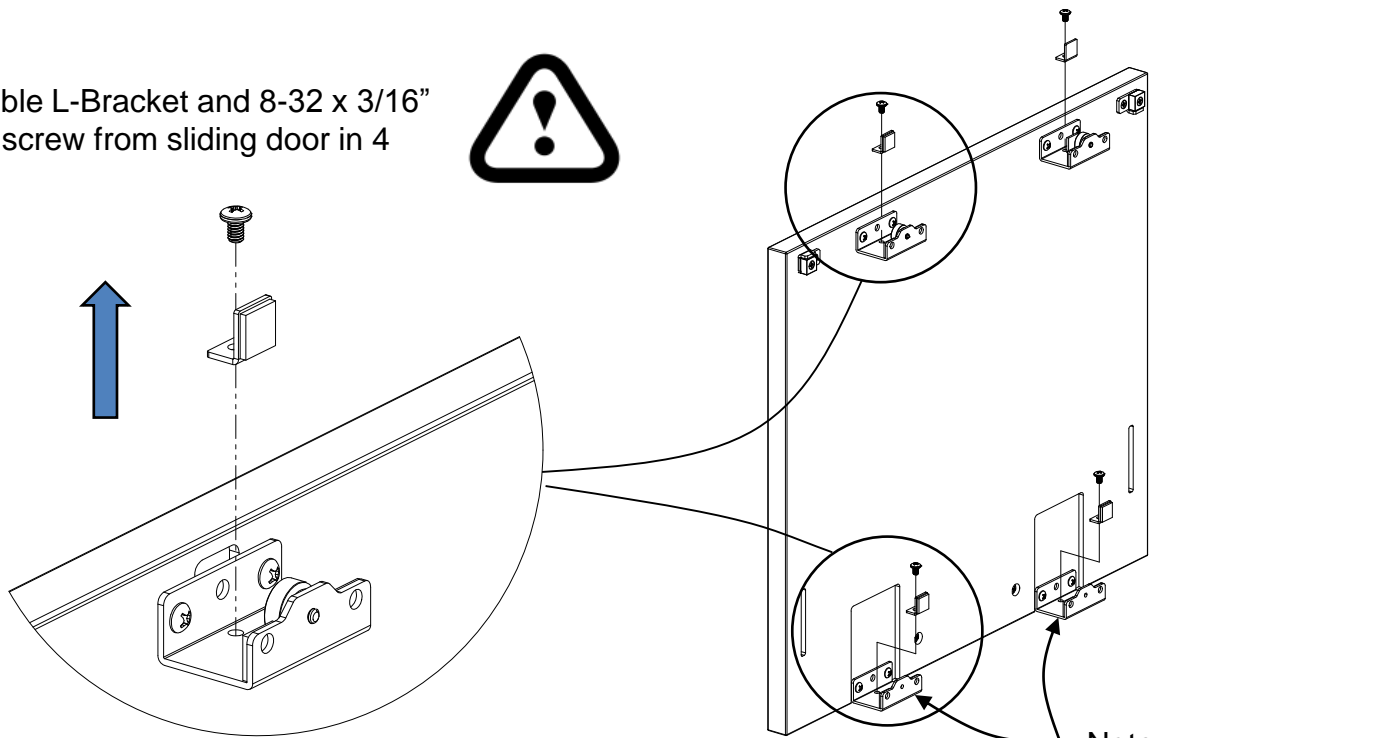
First hang shelf ends onto panel then install top and bottom shelf using (8) 8-32 hex nuts.

Must be built on panel



Step 2

Disassemble L-Bracket and 8-32 x 3/16" pan head screw from sliding door in 4 places.



Metal Sliding Door Overhead

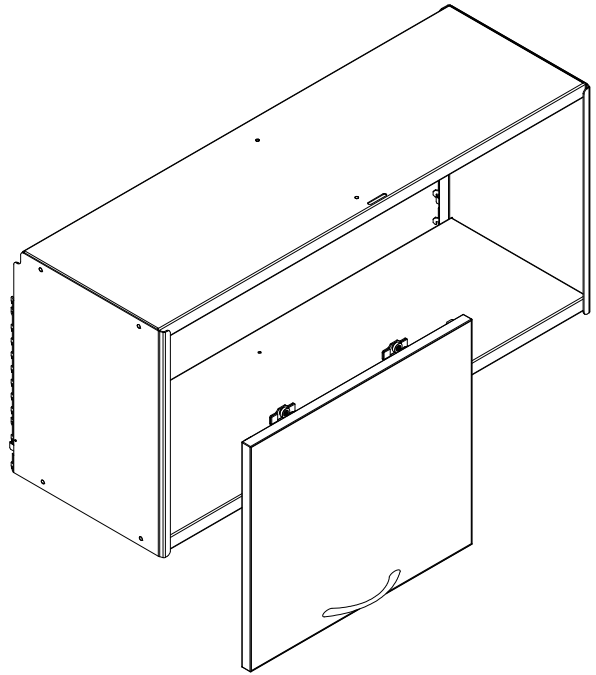
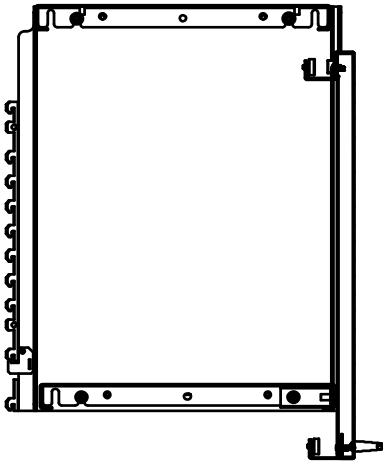
Step 3

Install sliding door in/up/out onto the inside edge of shelf top and bottom.

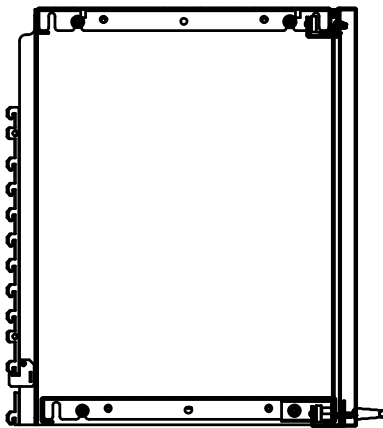


Do not install divider in unit until the door has been installed.

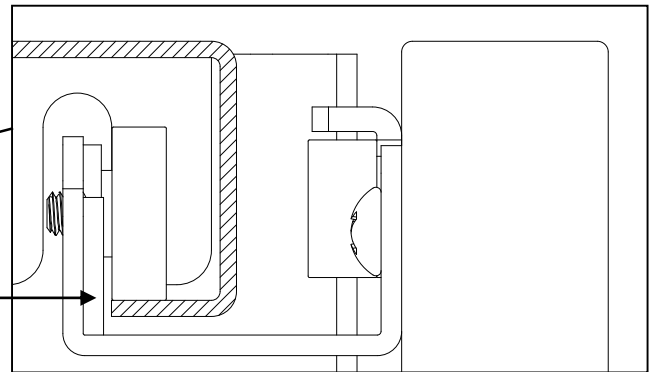
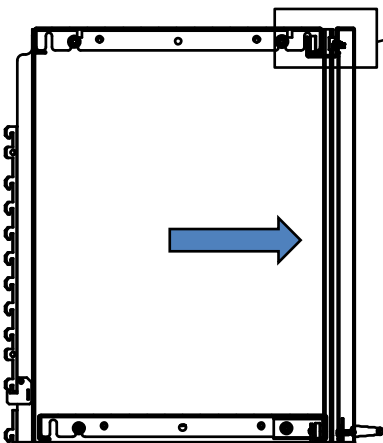
Step 3-A
IN



Step 3-B
UP



Step 3-C
OUT



Roller to sit on inside edge of top and bottom shelves

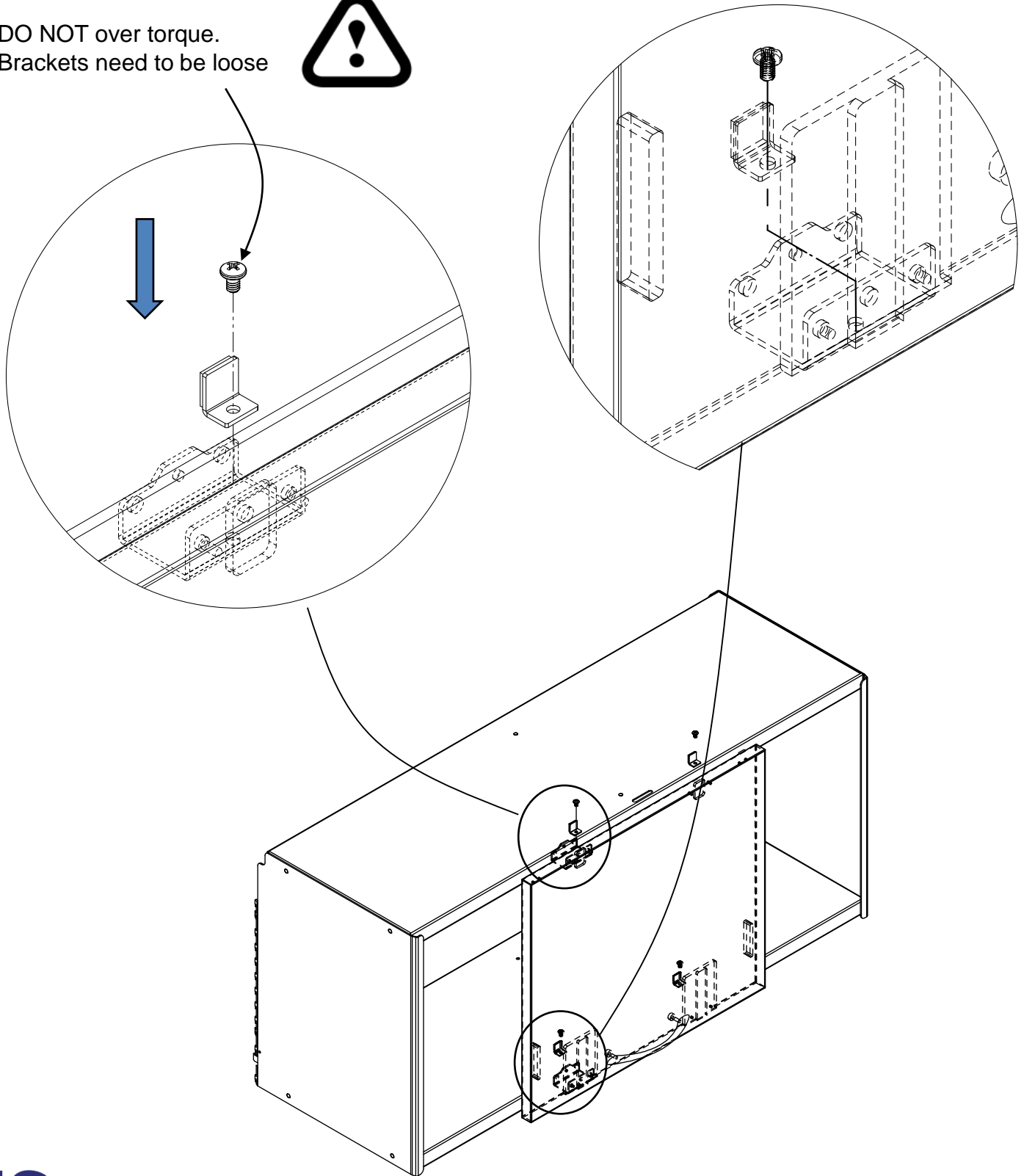


Metal Sliding Door Overhead

Step 4

Re-assemble L-Bracket and 8-32 x 3/16" pan head screw onto sliding door in 4 places.

DO NOT over torque.
Brackets need to be loose



Metal Sliding Door Overhead

Step 5:

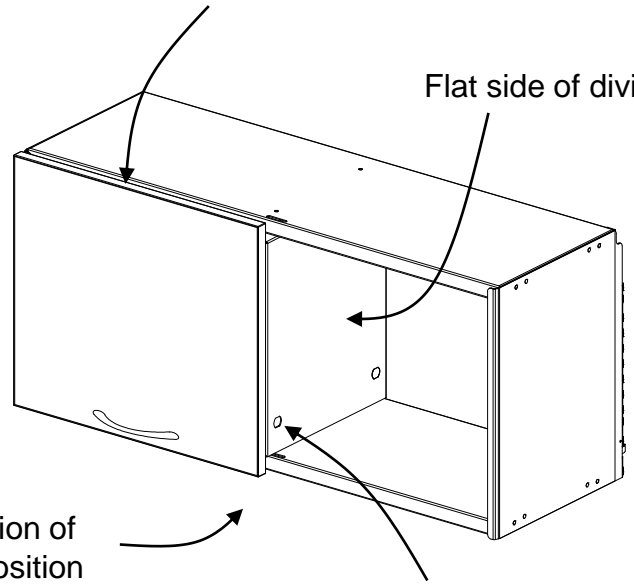
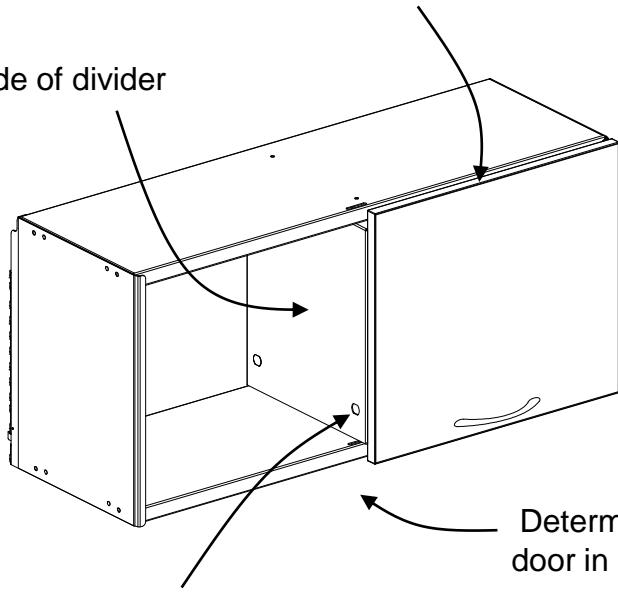
Install Divider

Locked Position

Locked Position

Flat side of divider

Flat side of divider

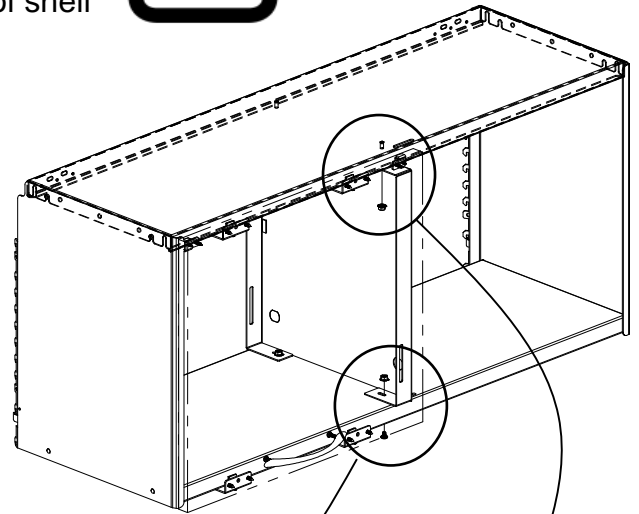
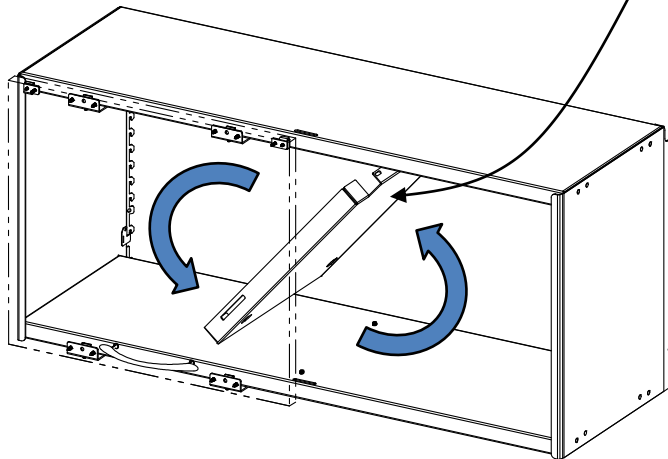


Determine position of door in locked position

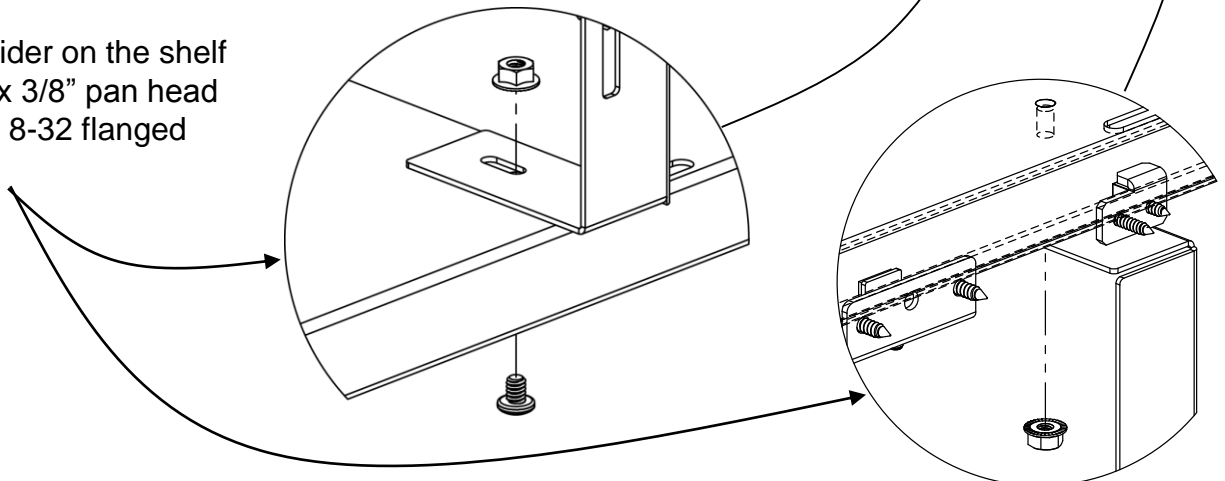
Remove punch-out to install lock

Remove punch-out to install lock

Position divider so that the flat side of the divider is facing the open side of shelf



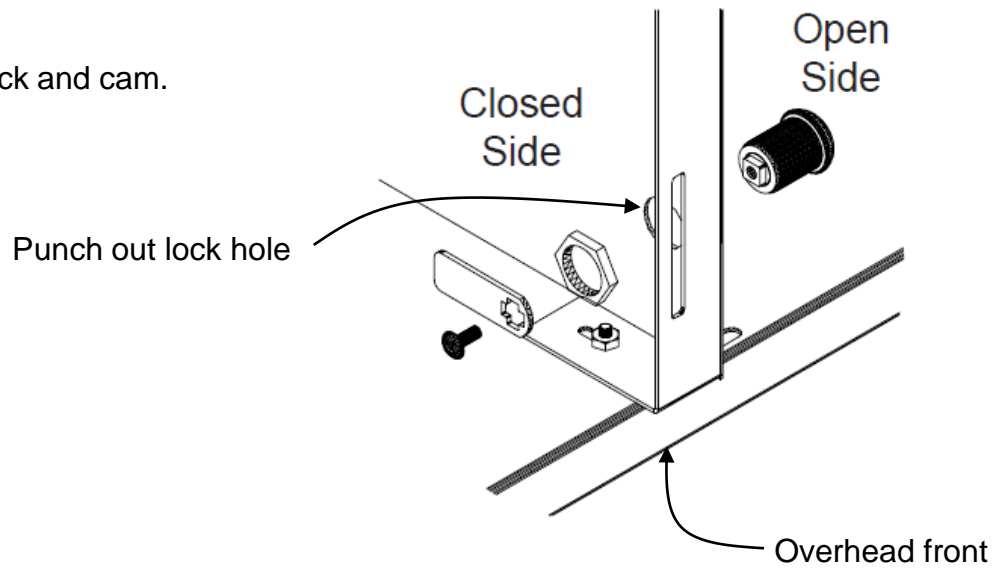
Install shelf divider on the shelf using (2) 8-32 x 3/8" pan head screws and (4) 8-32 flanged hex nuts.



Metal Sliding Door Overhead

Step 6

Install the standard overhead lock and cam.



Step 7 (door not shown for clarity)

Install shelf divider cover using (6) thin magnets on back side of the divider cover.

