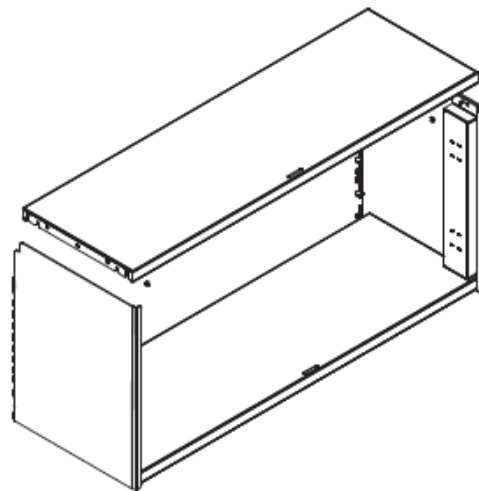
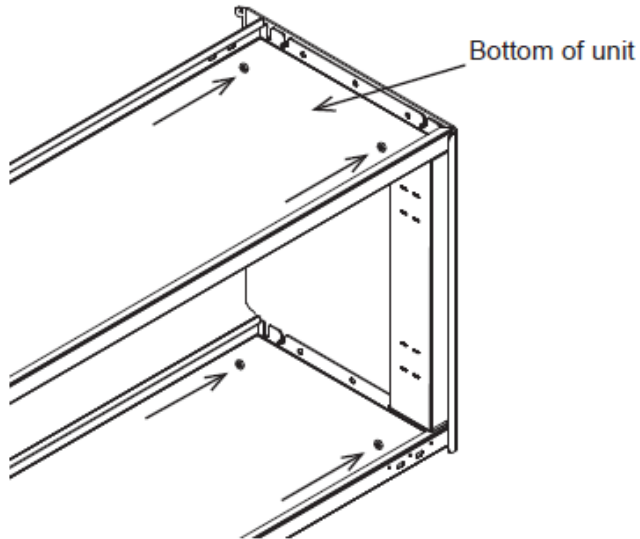
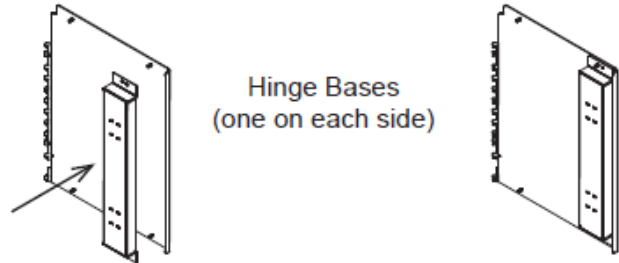


Details

Metal cabinet door overheads in panel or cleat mount applications utilize the same installation method, with one exception. In cleat mounting applications, the unit is built on the floor then hung on the wall cleat.

Step 1

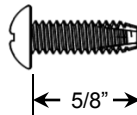
Install shelf ends on panel, then install hinge bases on shelf ends. Once hinge bases are in place, install the top and bottom of unit and secure in place using (8) 8-32 flanged hex nuts.



Step 2

Install the doors onto the hinge bases using #10x5/8" pan head screws.

Note: The doors ship pre-assembled with the hinges in place.



#10 x 5/8" Pan Head Screw
#RE-HS1058F

