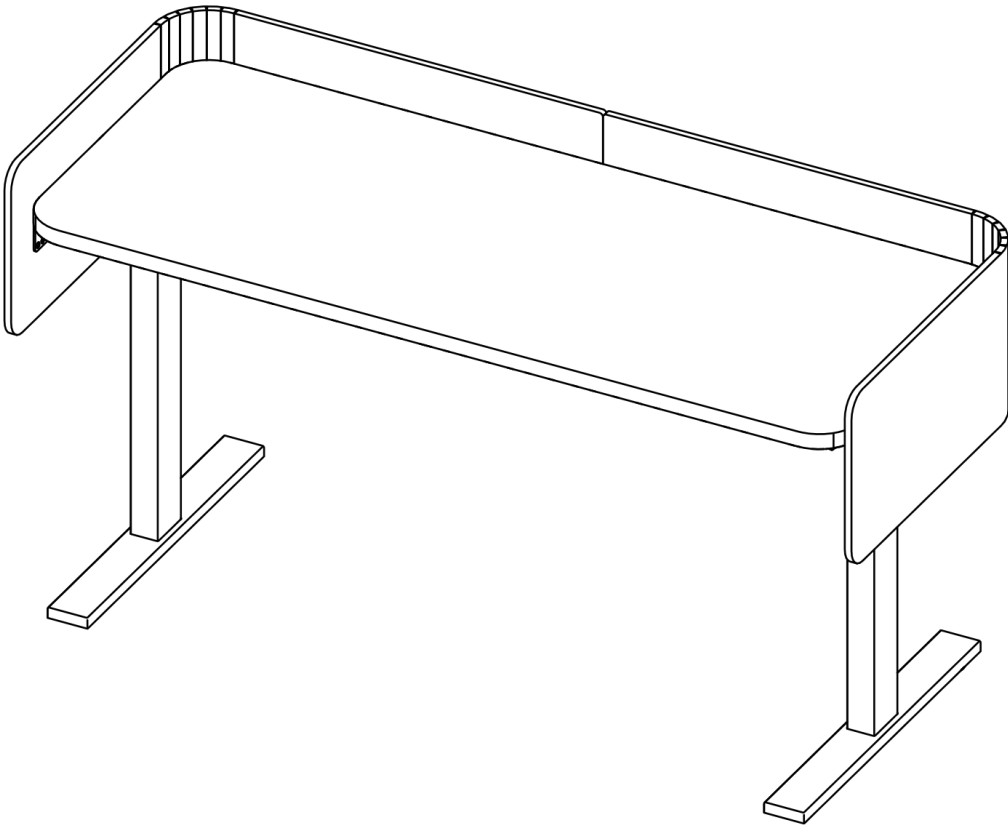



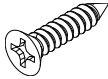



PET Enclosures for Radius Corner Tables Installation Instructions

Date	Page No.	Description of change	Name
07/01/2026	1-8	Released	S. Powers

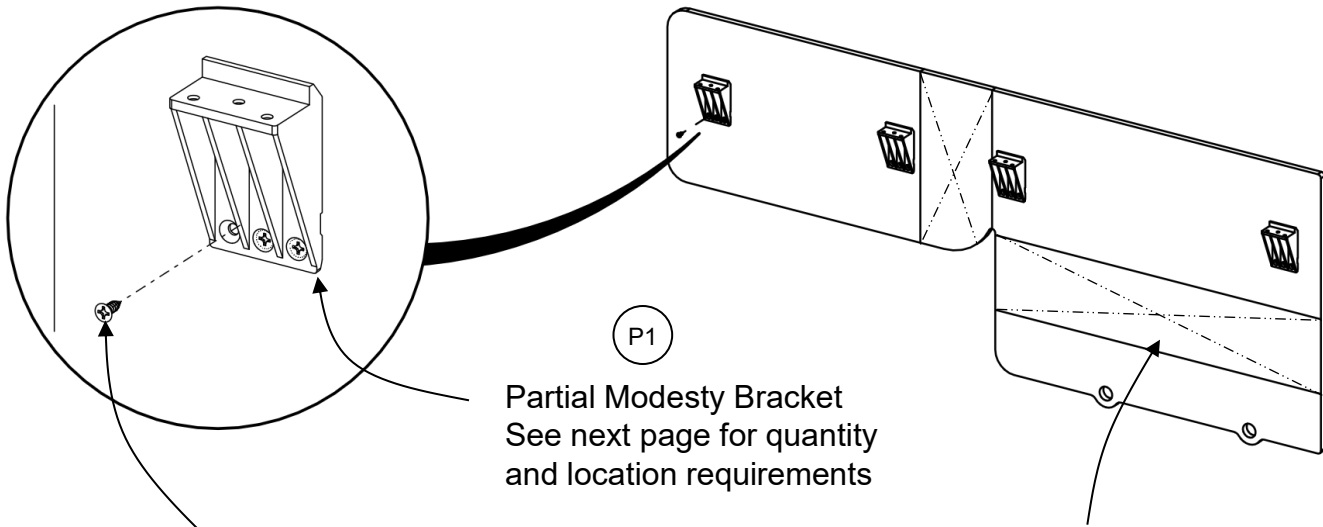


PET Enclosures for Radius Corner Tables Installation Instructions

Item	Replacement Part number	Circle Sheet Part Number	Description	Image
P1	A-PETPMBRKTB	RA-PETPMBRKTB	PET Partial Modesty Molded Bracket	
P2	RH-90033A205	RH-90033A205	#8 X 1/2" Flat Head Screw, Black	
P3	A-PETHOOK	RA-PETHOOK	PET Hook	
P4	RH-QS0978	RH-QS0978	#9 X 7/8" Flat Head Screw	
P5	A-PETPMCOVER	RA-PETPMCOVER	PET Partial Modesty Cover	

PET Enclosures for Radius Corner Tables Installation Instructions

Step 2: Install partial modesty brackets to the PET screen using #8 x 1/2" long screws.



P1
Partial Modesty Bracket
See next page for quantity
and location requirements

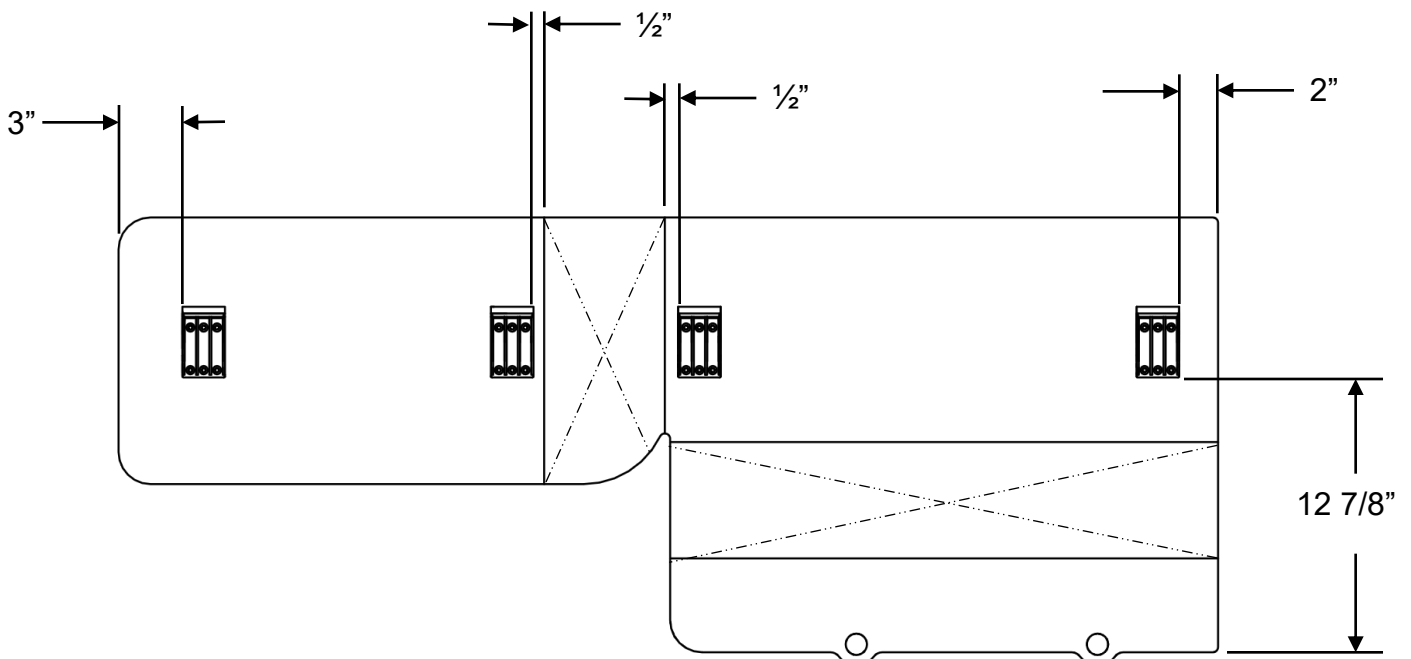
Grooves this side

P2

#8 x 1/2" long
Flat head screw
#2 Philips drive
6 places per bracket



Do not use worksurface
screws they are too long and
will break through material

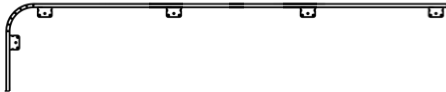


PET Enclosures for Radius Corner Tables Installation Instructions

L-Wrap Screens 12D – 18D



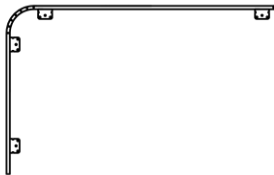
12D X 24W – 72W
18D X 24W – 72W
Qty = 3



12D X 78W
Qty = 5

L-Wrap Screens 24D – 30D

24D – 30D



24D X 24W – 66W
30D X 24W – 60W
Qty = 4

U-Wrap Screens 1 Piece



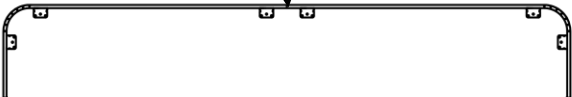
12D X 24W – 66W
18D X 24W – 60W
Qty = 4



24D X 42W
Qty = 6

U-Wrap Screens 2 Piece

Seam



12D X 72W – 84W
18D X 66W – 84W
Qty = 6

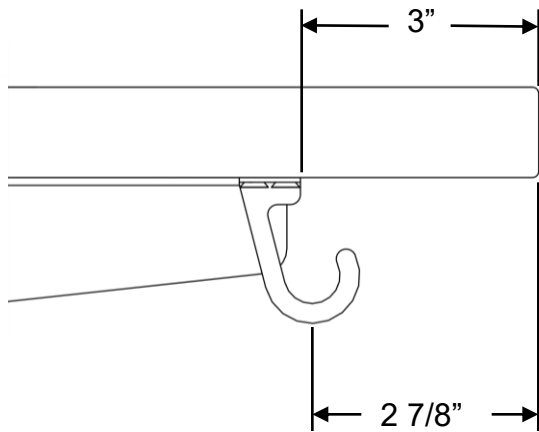
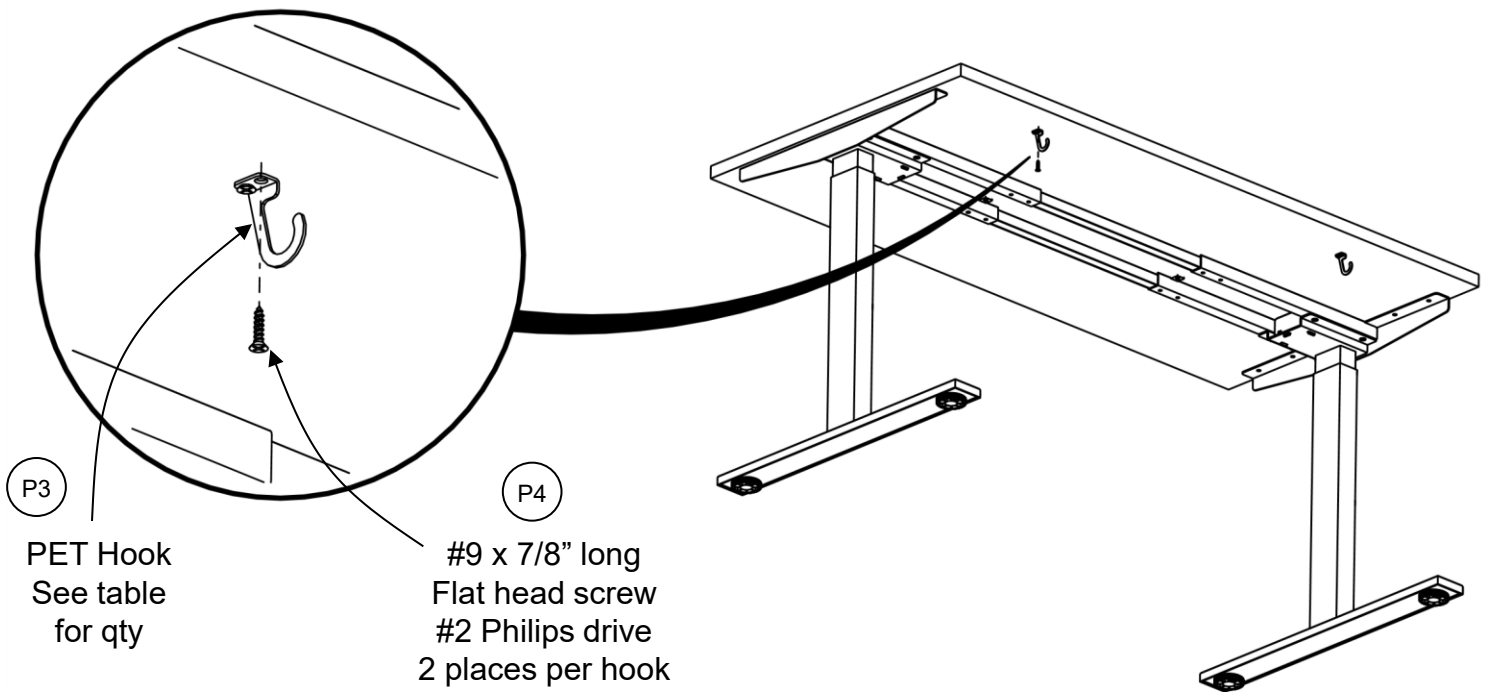
Seam



24D X 48W – 84W
30D X 42W – 84W
Qty = 8

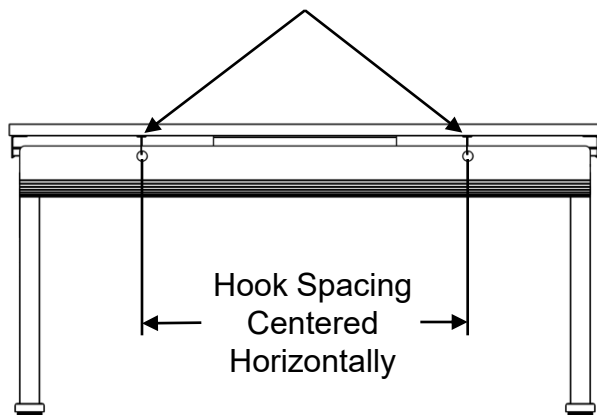
PET Enclosures for Radius Corner Tables Installation Instructions

Step 3: Install hooks to worksurface as shown using #9 x 7/8" worksurface screws.



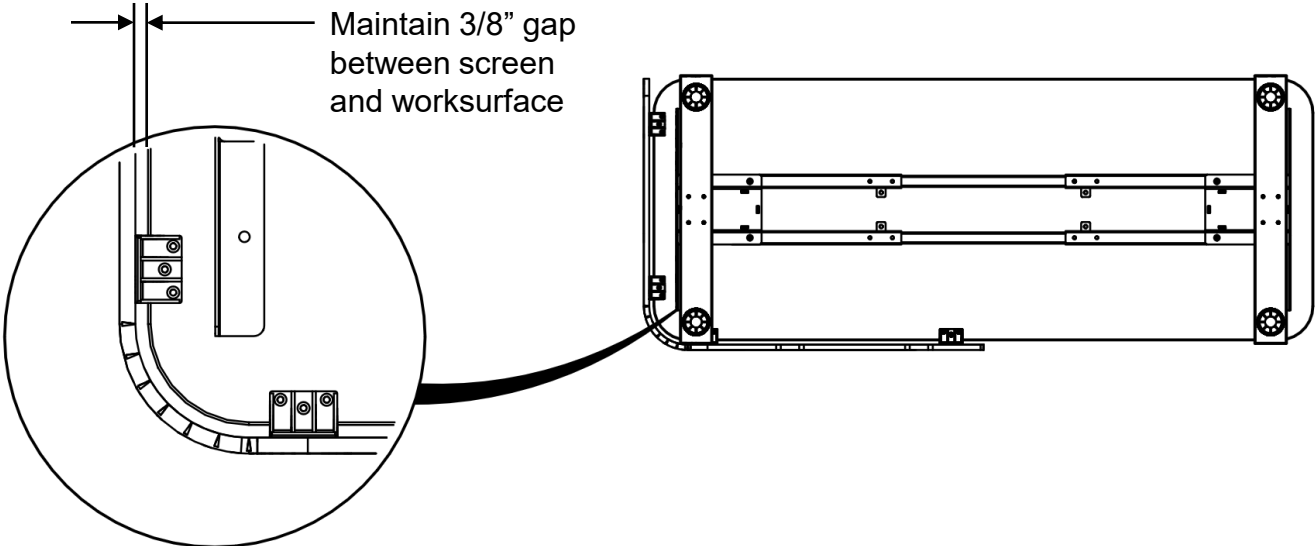
NOMINAL LENGTH	DIM A	QTY
24	12"	2
30	18"	2
36	20"	2
42	26"	2
48	20"	2
54	26"	2
60	32"	2
66	38"	2
72	44"	4
78	17"	4
84	19"	4

Use the holes in the PET wire manager to locate and mark the hook locations

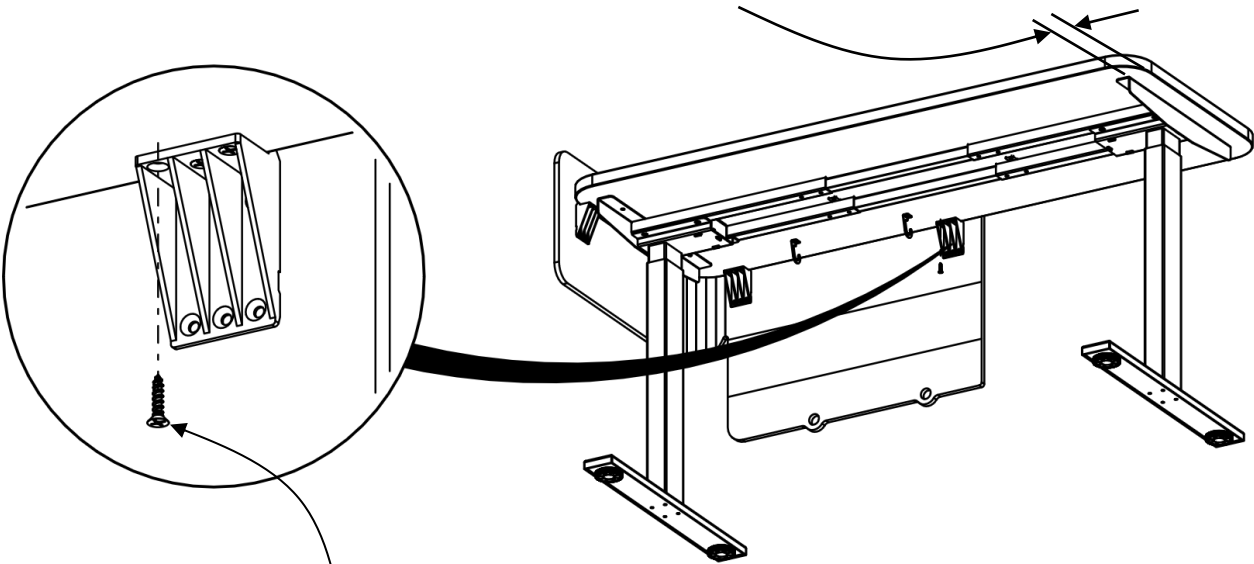


PET Enclosures for Radius Corner Tables Installation Instructions

Step 4: Secure worksurface to partial modesty brackets using #9 x 7/8" long screws.



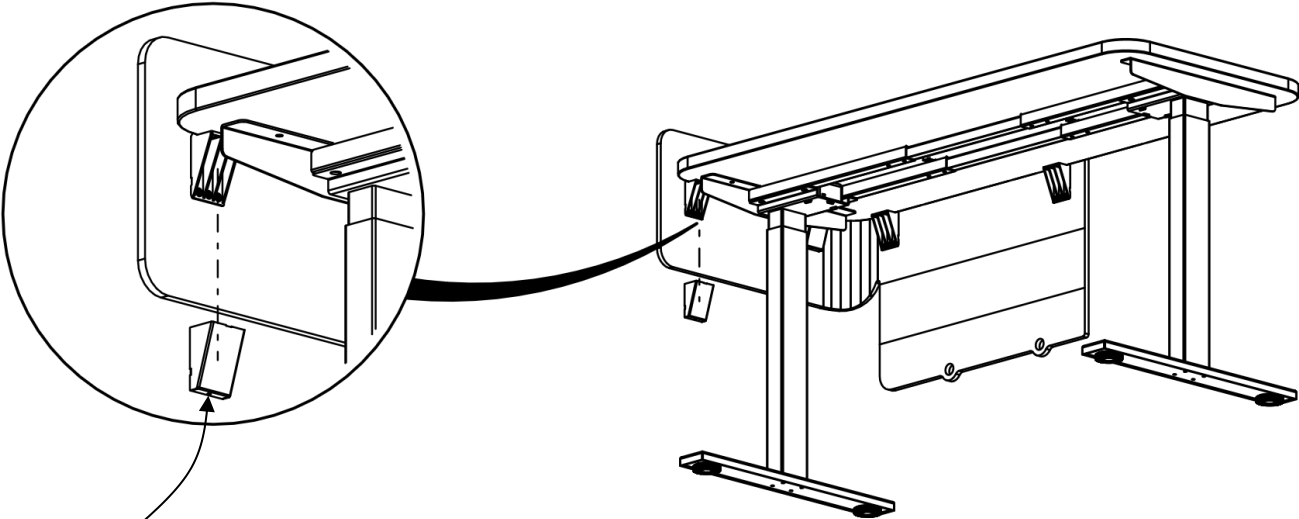
Note:
Cantilevers must be mounted inboard 1" minimum to allow mounting brackets



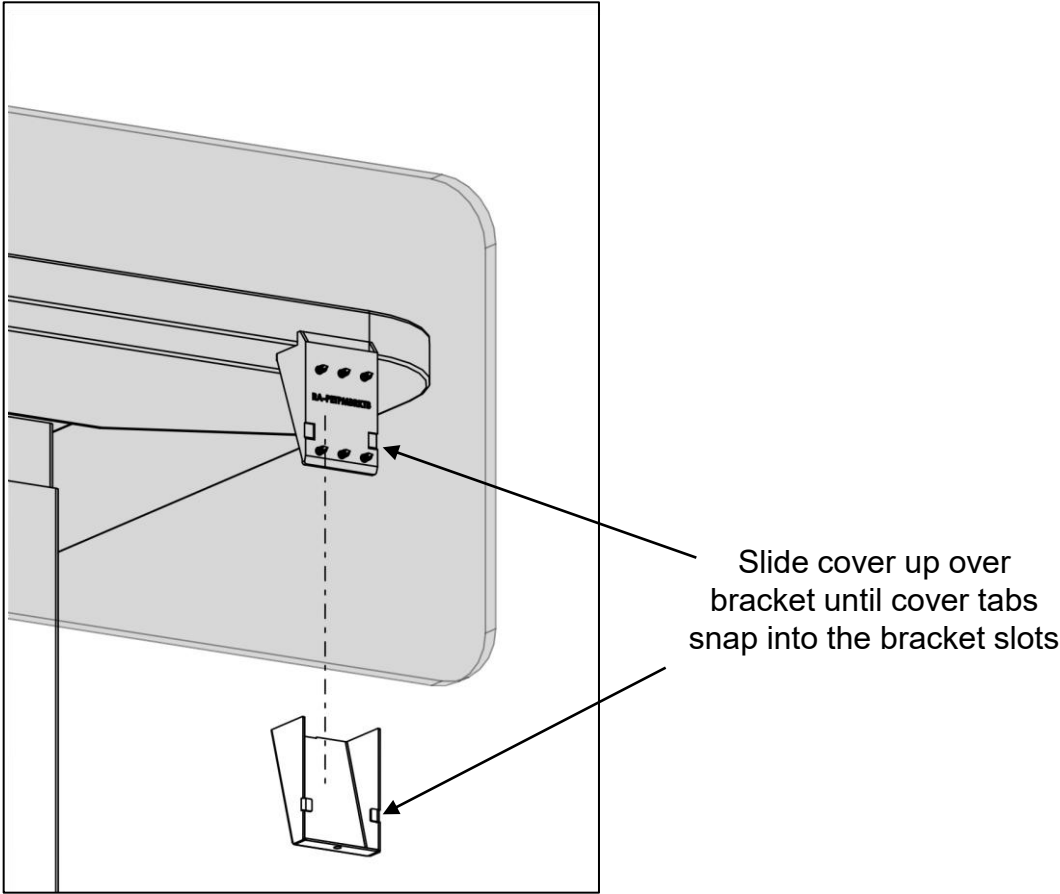
P2 #9 x 7/8" long
Flat head screw
#2 Philips drive
3 places per bracket

PET Enclosures for Radius Corner Tables Installation Instructions

Step 5: Install bracket cover, if applicable.



(P5) Bracket Cover



PET Enclosures for Radius Corner Tables Installation Instructions

Step 5: Bend enclosure up to hang the PET screen onto the hooks.

