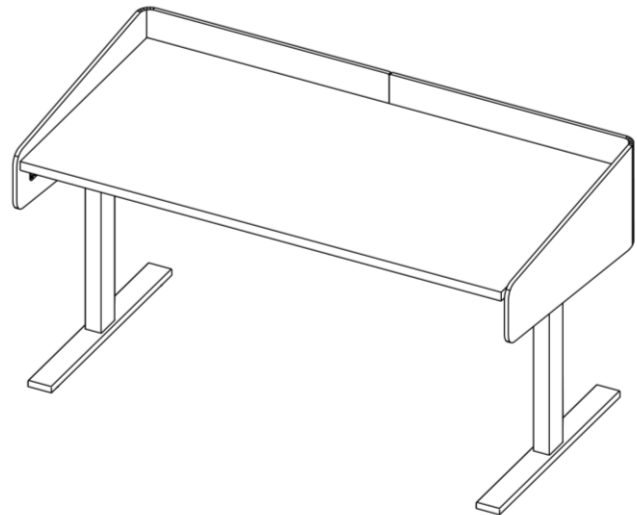
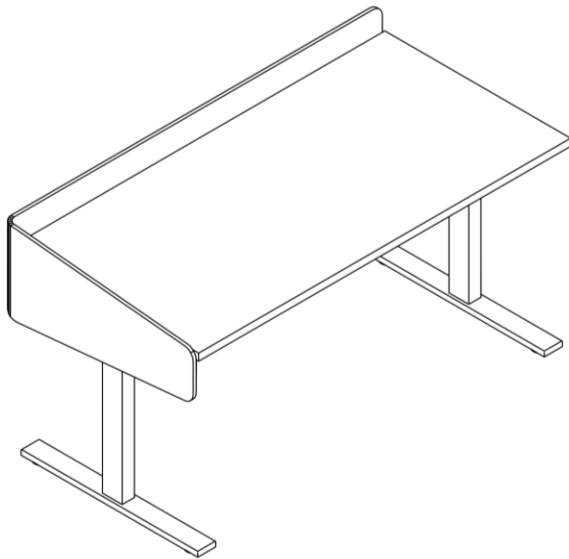


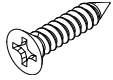
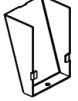



PET Enclosures with Wire Managers Installation Instructions

Date	Page No.	Description of change	Name
1/27/2022	1-8	Released	S. Powers
3/29/2022	4	Added 16 1/2" dimension from bottom of screen to top of bracket	S. Powers
07/01/2026	1-9	Changed to molded bracket design	S. Powers

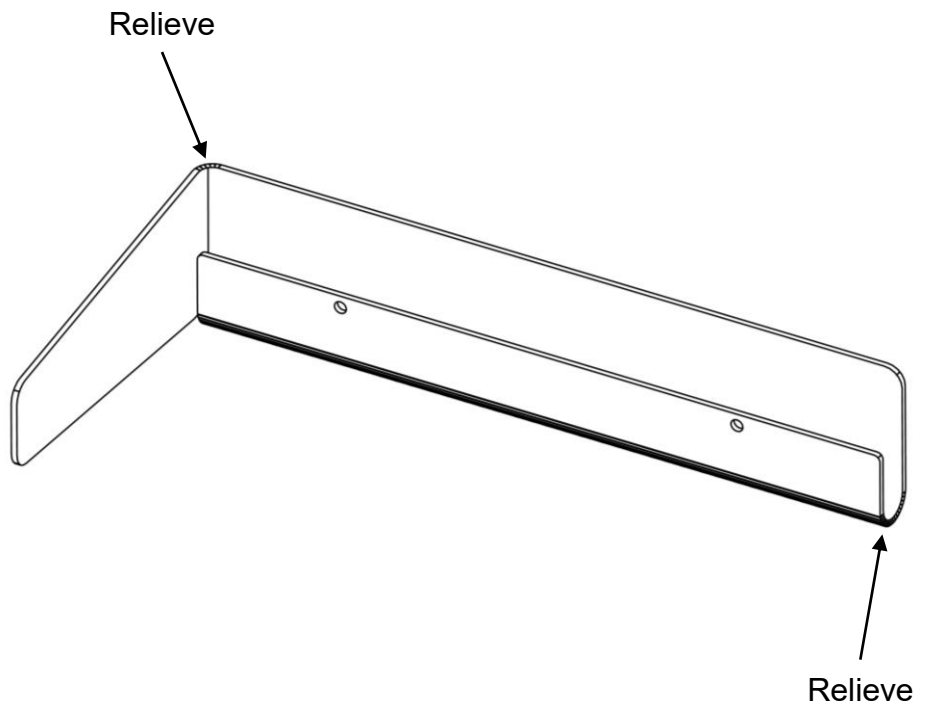
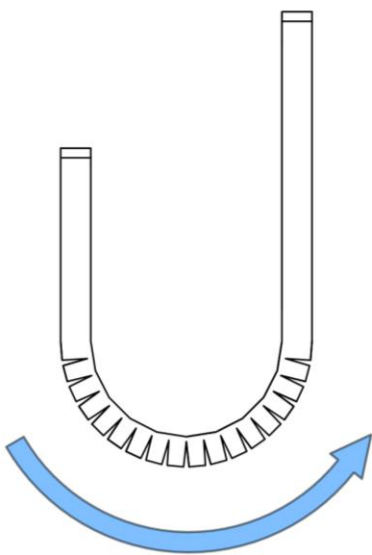
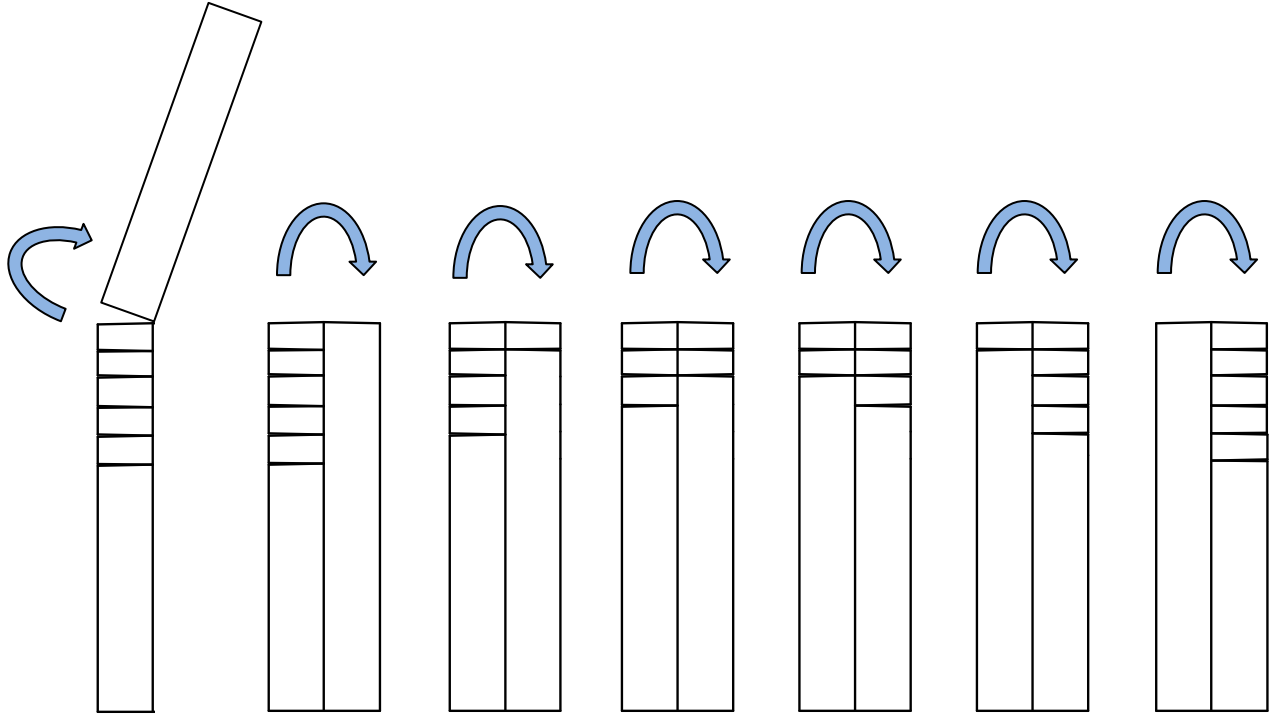


PET Enclosures with Wire Managers Installation Instructions

Item	Replacement Part number	Circle Sheet Part Number	Description	Image
P1	A-PETPMBRKTB	RA-PETPMBRKTB	PET Partial Modesty Molded Bracket	
P2	A-PETHOOK	RA-PETHOOK	PET Hook	
P3	RH-QS0978	RH-QS0978	#9 X 7/8" Flat Head Screw	
P4	A-PETPMCOVER	RA-PETPMCOVER	PET Partial Modesty Cover	
P5	RH-90033A205	RH-90033A205	#8 X 1/2" Flat Head Screw, Black	

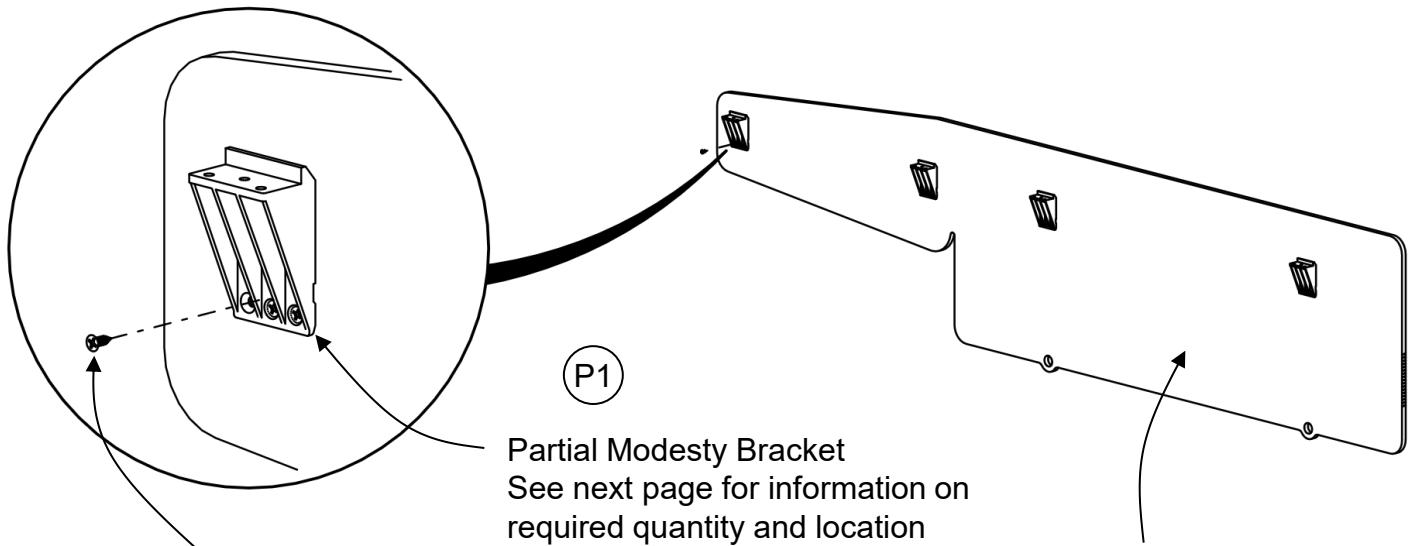
PET Enclosures with Wire Managers Installation Instructions

Step 1: Prepare the PET Wire Manager for installation by opening each groove to relieve material tension and create flexibility for an aesthetic installation.



PET Enclosures with Wire Managers Installation Instructions

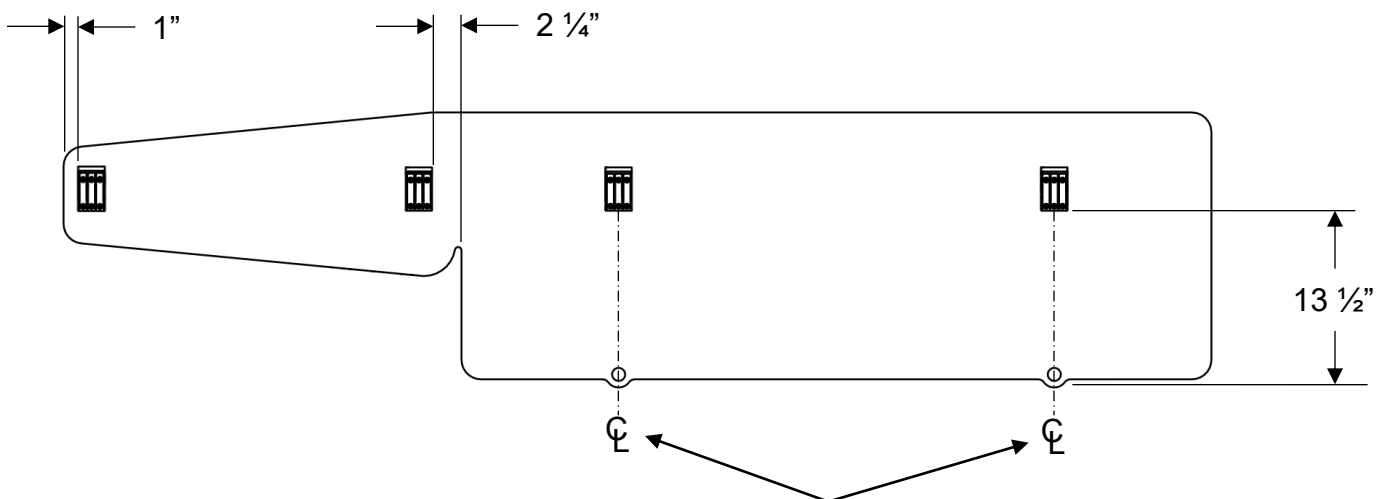
Step 2: Install partial modesty brackets to the PET screen using #8 x 1/2" long screws.



P5 #8 x 1/2" long
Flat head screw, black
#2 Philips drive
6 places per bracket



Do not use worksurface screws they are too long and will break through material



Suggested location.
Brackets can be moved
left or right as needed

PET Enclosures with Wire Managers Installation Instructions

L-Wrap Screens 12D – 18D

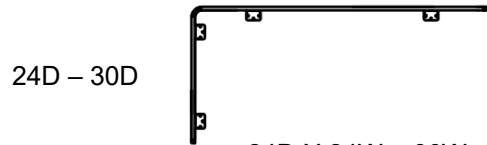


12D X 24W – 72W
18D X 24W – 72W
Qty = 3



12D X 78W
Qty = 5

L-Wrap Screens 24D – 30D



24D – 30D

24D X 24W – 66W
30D X 24W – 60W
Qty = 4

U-Wrap Screens 1 Piece

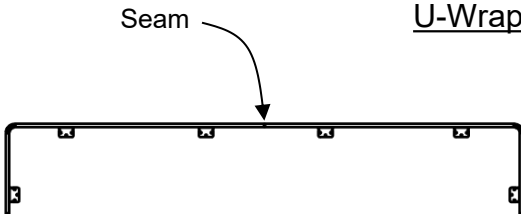


12D X 24W – 66W
18D X 24W – 60W
Qty = 4

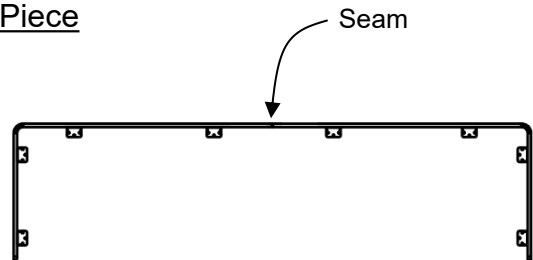


24D X 42W
Qty = 6

U-Wrap Screens 2 Piece



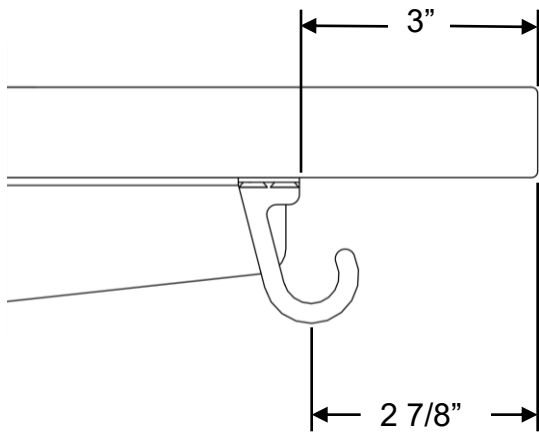
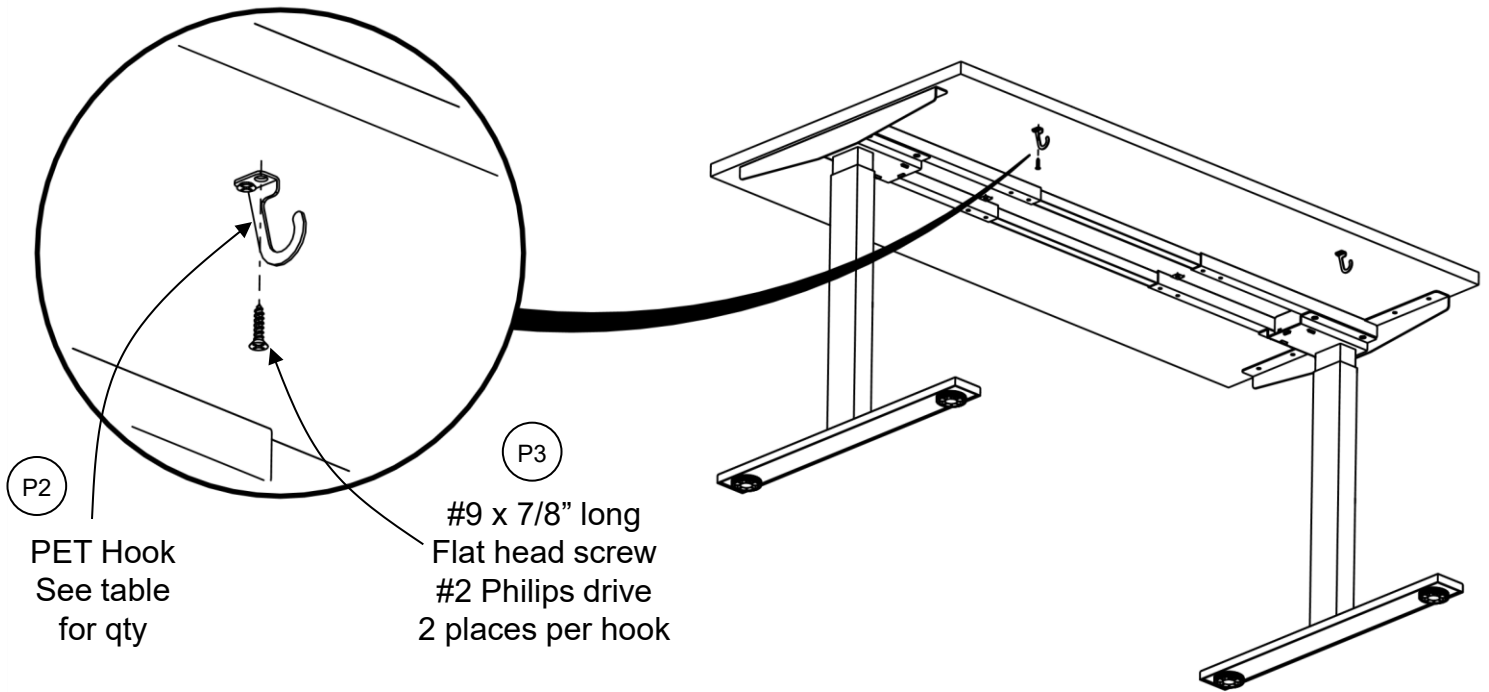
12D X 72W – 84W
18D X 66W – 84W
Qty = 6



24D X 48W – 84W
30D X 42W – 84W
Qty = 8

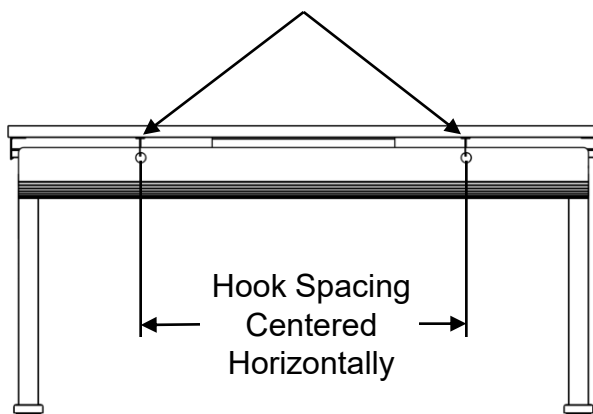
PET Enclosures with Wire Managers Installation Instructions

Step 3: Install hooks to worksurface as shown using #9 x 7/8" worksurface screws.



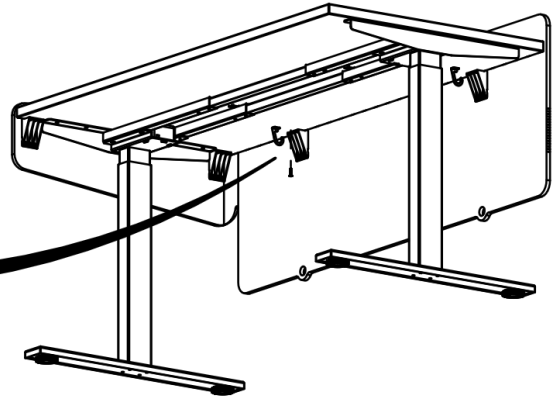
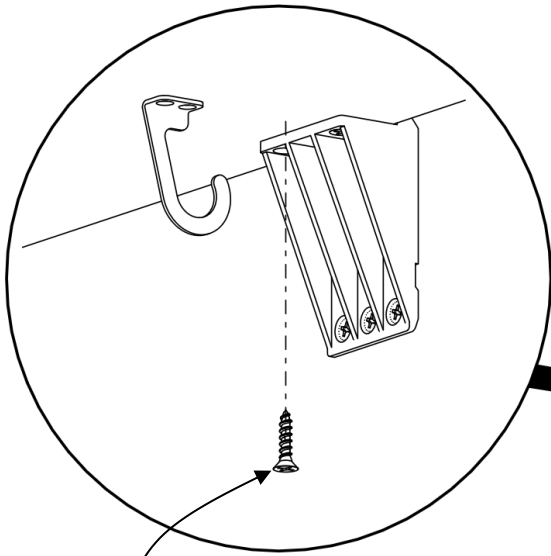
NOMINAL LENGTH	DIM A	QTY
24	12"	2
30	18"	2
36	20"	2
42	26"	2
48	20"	2
54	26"	2
60	32"	2
66	38"	2
72	44"	4
78	17"	4
84	19"	4

Use the holes in the PET Wire Manager to locate and mark the hook locations

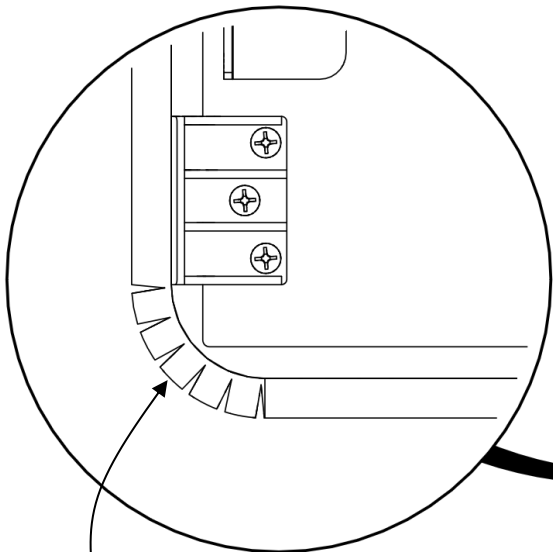


PET Enclosures with Wire Managers Installation Instructions

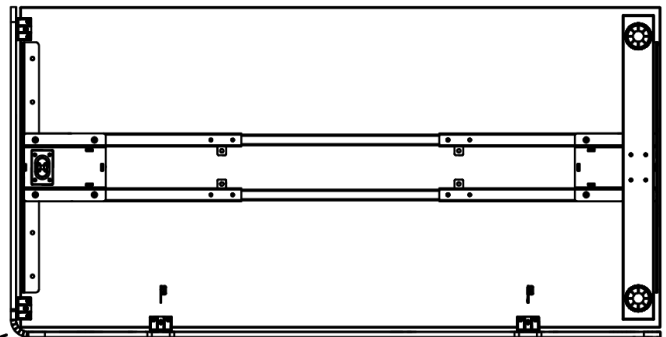
Step 4: Secure worksurface to partial modesty brackets using #9 x 7/8" long screws.



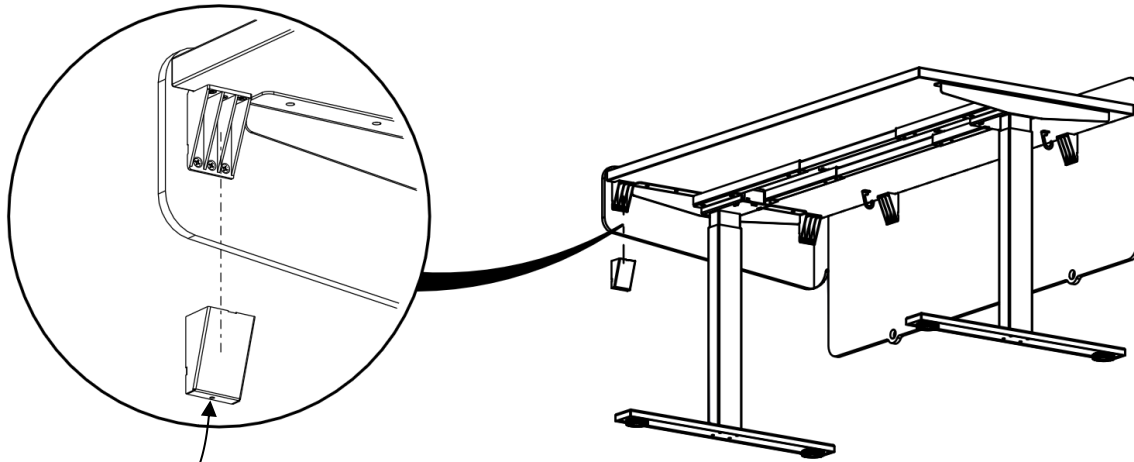
- P3 #9 x 7/8" long
Flat head screw
#2 Philips drive
3 places per bracket



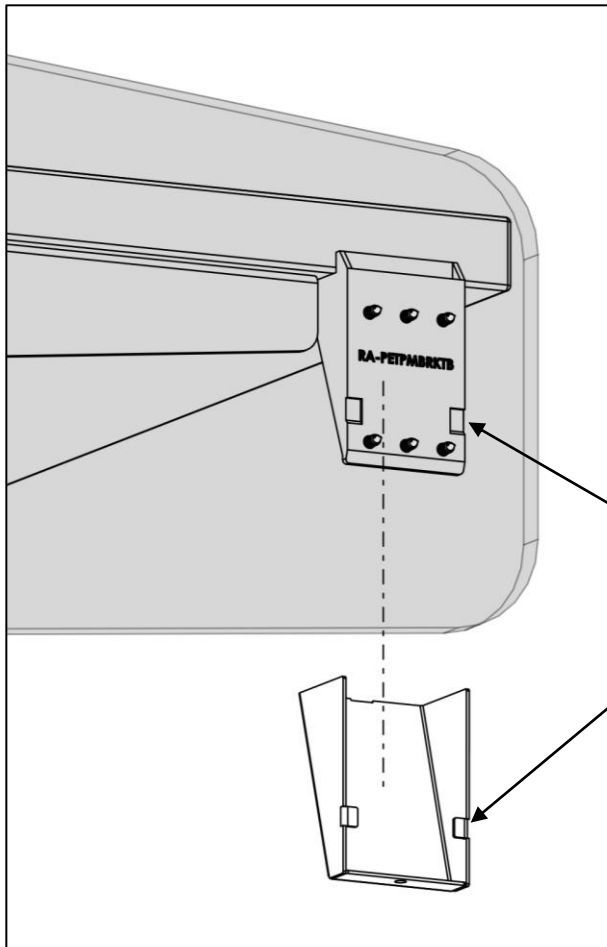
Center screen corner to
worksurface corner



PET Enclosures with Wire Managers Installation Instructions



P4 Bracket Cover



Slide cover up over
bracket until cover tabs
snap into the bracket slots

PET Enclosures with Wire Managers Installation Instructions

Step 5: Bend enclosure up to hang the PET wire manager onto the hooks.

