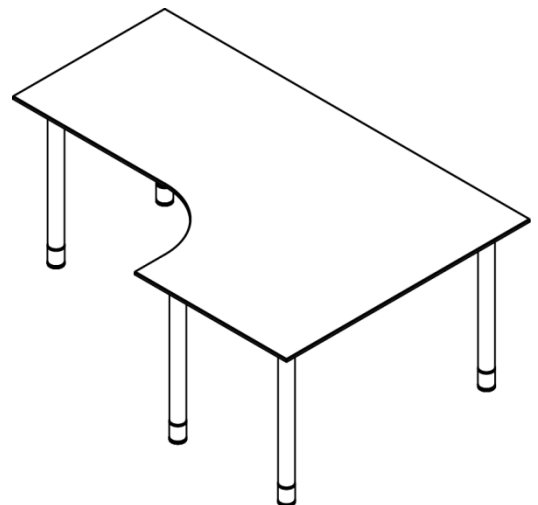
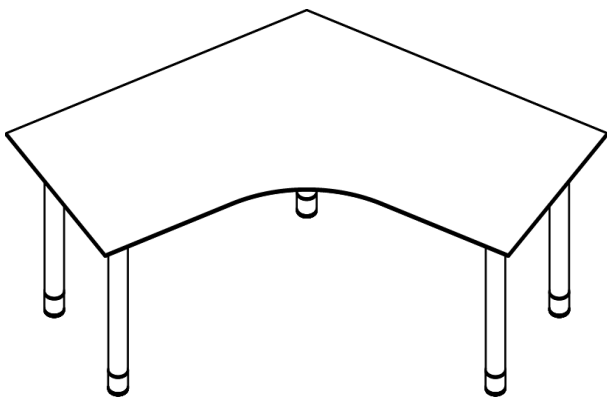
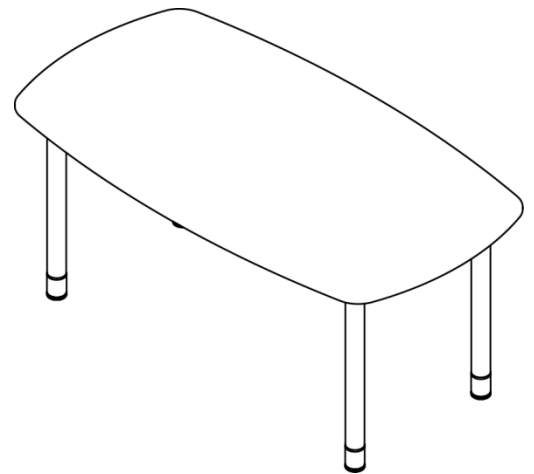
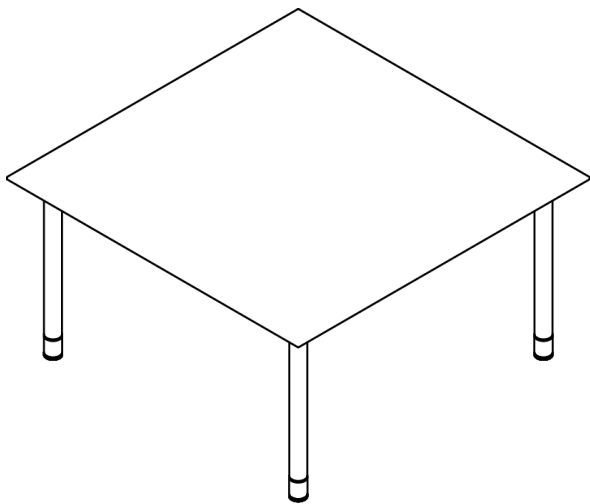
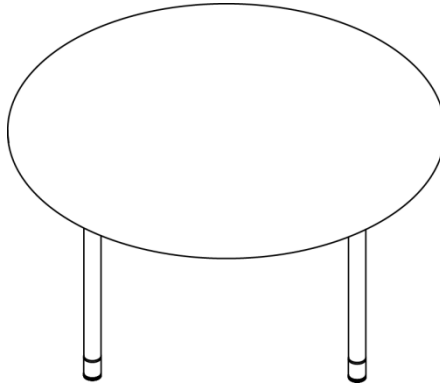
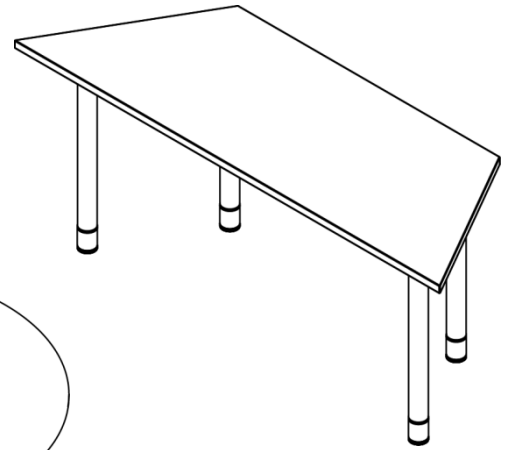
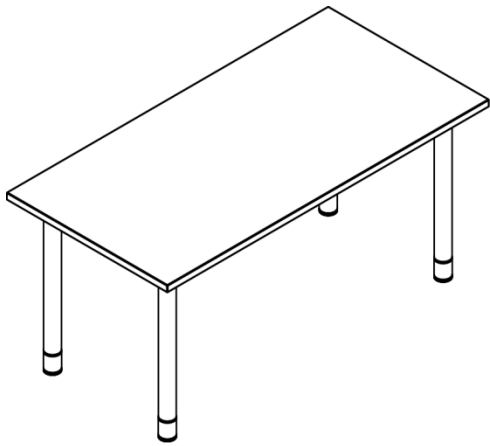


Day to Day Tables – Post Leg Base



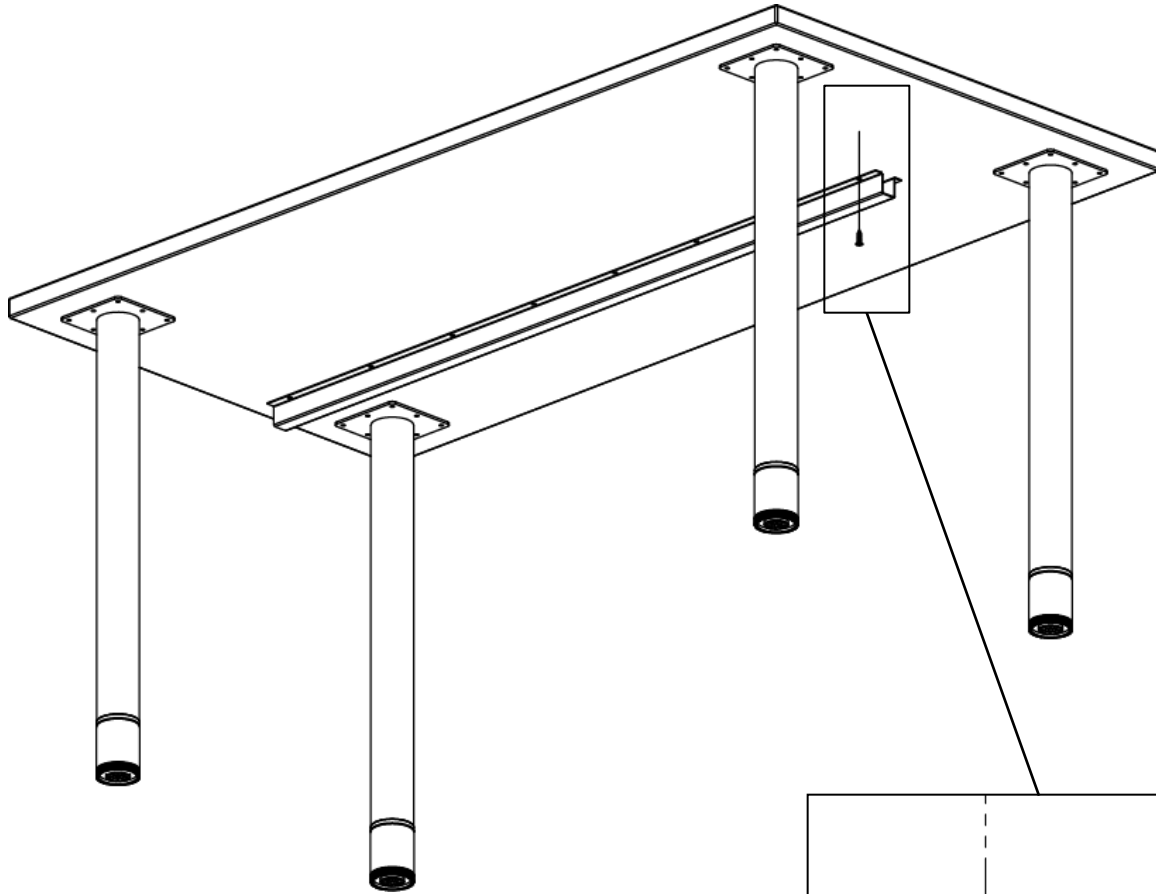
Day to Day Tables – Post Leg Base

Revision Log

Date	Page No.	Description of change	Name
8/7/2018	1-6	Released	S. Powers
11/15/18	7	Added tapered leg instruction	S. Powers
12/12/18	8	Added AIS Power Unit instruction	S. Powers
9/26/2025	8-10	Updated Power Units	S. Powers
5/15/2026	7	Updated 3/8-16 screw to be 3/4" long	P. Day

Day to Day Tables – Post Leg Base

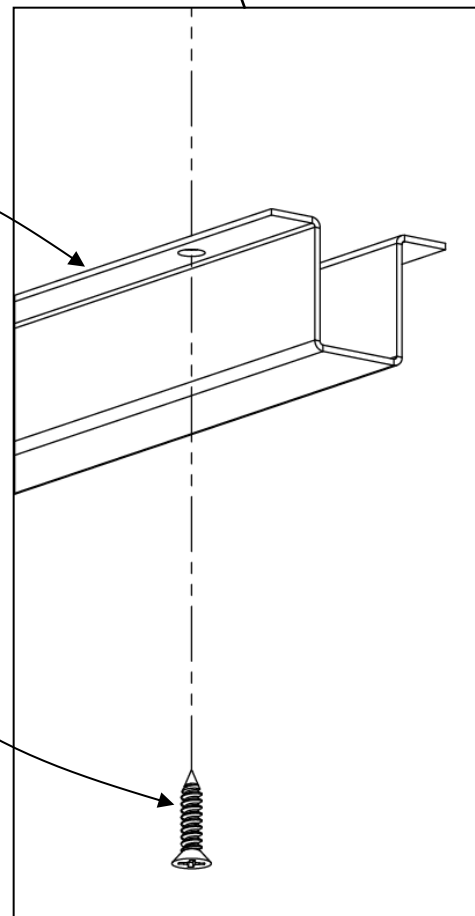
U-Channel Assembly



U-Channel
(See following pages for location)

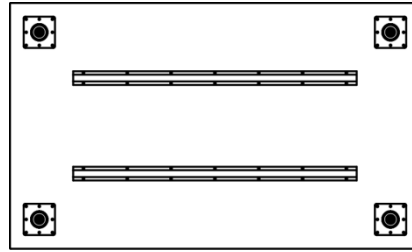
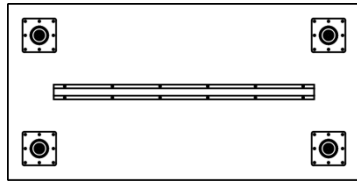
Flat head wood screw #9
x 7/8 long with #2
Phillips drive, silver x 12

U-Channel	Length
TL-UCK36	36"
TL-UCK42	42"
TL-UCK48	48"
TL-UCK54	54"
TL-UCK60	60"
TL-UCK66	66"

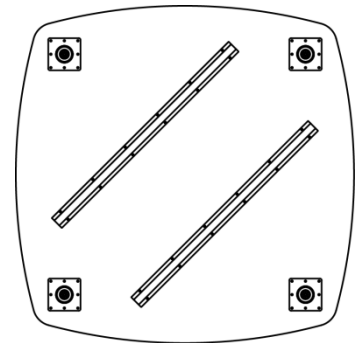
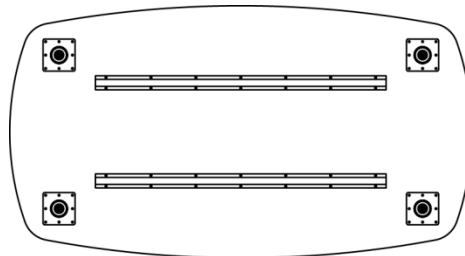
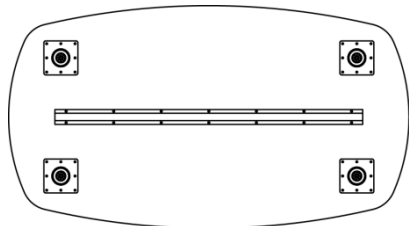


Day to Day Tables – Post Leg Base

U-Channel Assembly



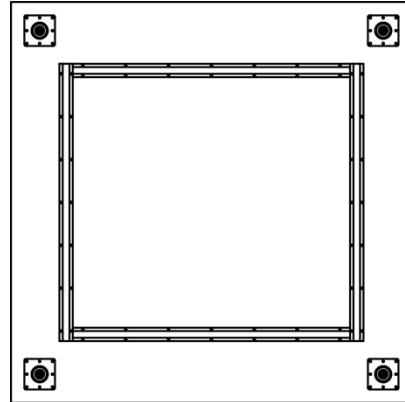
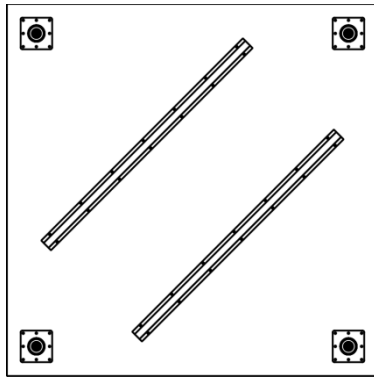
RECTANGLE TABLES										
	48W		54W		60W		66W		72W	
	Qty	Length	Qty	Length	Qty	Length	Qty	Length	Qty	Length
18D	1	36	1	42	1	48	1	54	1	60
24D	1		1		1		1			
30D	1		1		2		2			
36D	1		1		2	48	2	54		
42D	-	-	2	2	2					
48D	2	36	2	2	2					



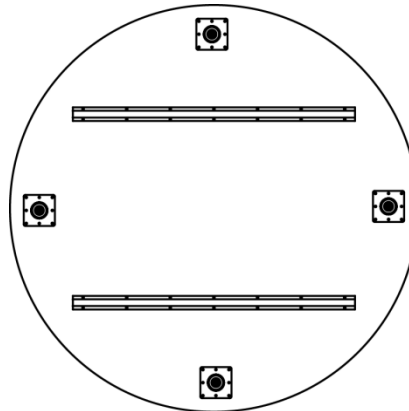
PEBBLE TABLES										
	48W		54W		60W		66W		72W	
	Qty	Length	Qty	Length	Qty	Length	Qty	Length	Qty	Length
30D	-	-	1	42	1	48	2	42	2	48
36D	-	-	1	42	2	36	2	42	2	48
42D	-	-	1	42	2	36	2	42	2	48
48D	-	-	1	42	2	36	2	42	2	48
54D	-	-	2	42	-	-	-	-	-	-
60D	-	-	-	-	2	48	-	-	-	-

Day to Day Tables – Post Leg Base

U-Channel Assembly



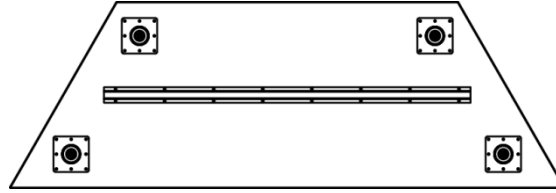
SQUARE TABLES						
	48W		54W		60W	
	Qty	Length	Qty	Length	Qty	Length
48D	2	36	-	-	-	-
54D	-	-	2	42	-	-
60D	-	-	-	-	4	42



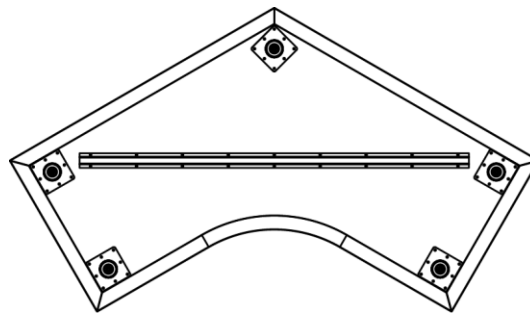
ROUND TABLES				
	54W		60W	
	Qty	Length	Qty	Length
54D	2	36	-	-
60D	-	-	2	42

Day to Day Tables – Post Leg Base

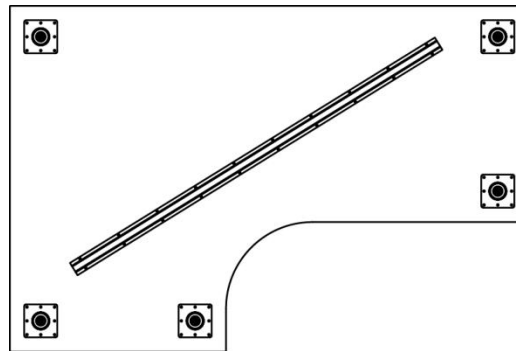
U-Channel Assembly



TRAPEZOID TABLES										
	60W		66W		72W		78W		84W	
	Qty	Length	Qty	Length	Qty	Length	Qty	Length	Qty	Length
24D	1	36	1	36	1	48	1	48	1	60
30D	-	-	1	36	1	48	1	48	1	60



120 CORNER TABLES						
	42W		48W		54W	
	Qty	Length	Qty	Length	Qty	Length
24D	1	54	1	60	1	66
30D	1	54	1	60	1	66



90 CORNER TABLES						
	60W		66W		72W	
	Qty	Length	Qty	Length	Qty	Length
24D	1	48	1	54	1	60
30D	1	48	1	54	1	60

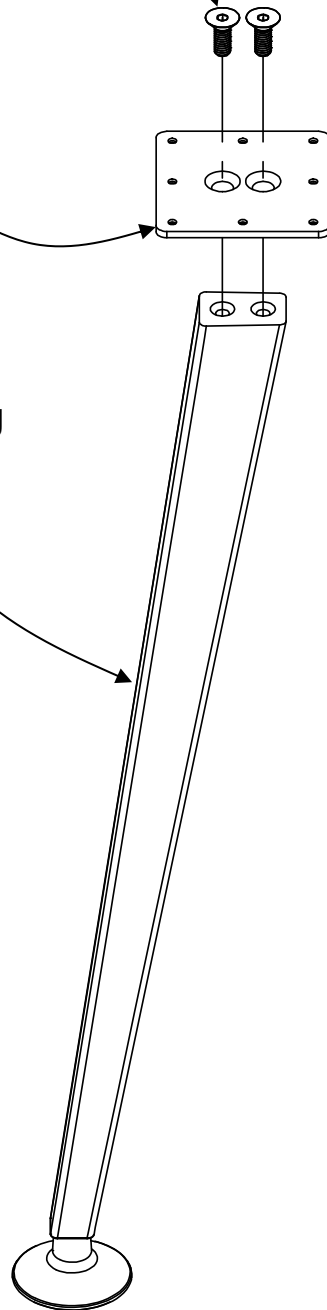
Day to Day Tables – Post Leg Base

Tapered Leg

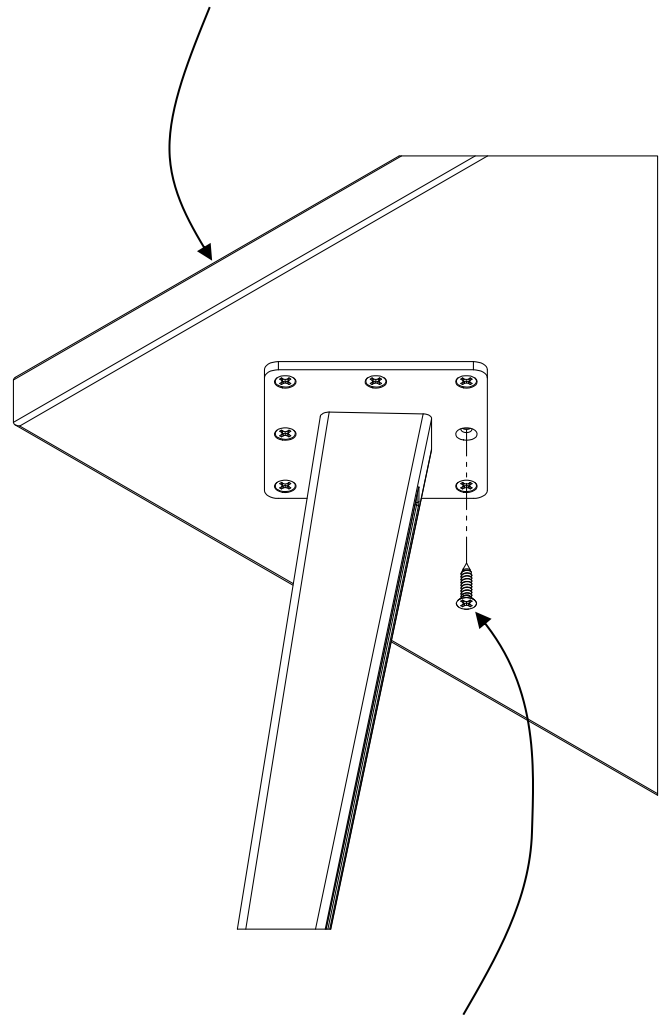
3/8-16 x 3/4" long
Flat Head Screw
Hex Drive 7/32"

Top Plate

Tapered Leg



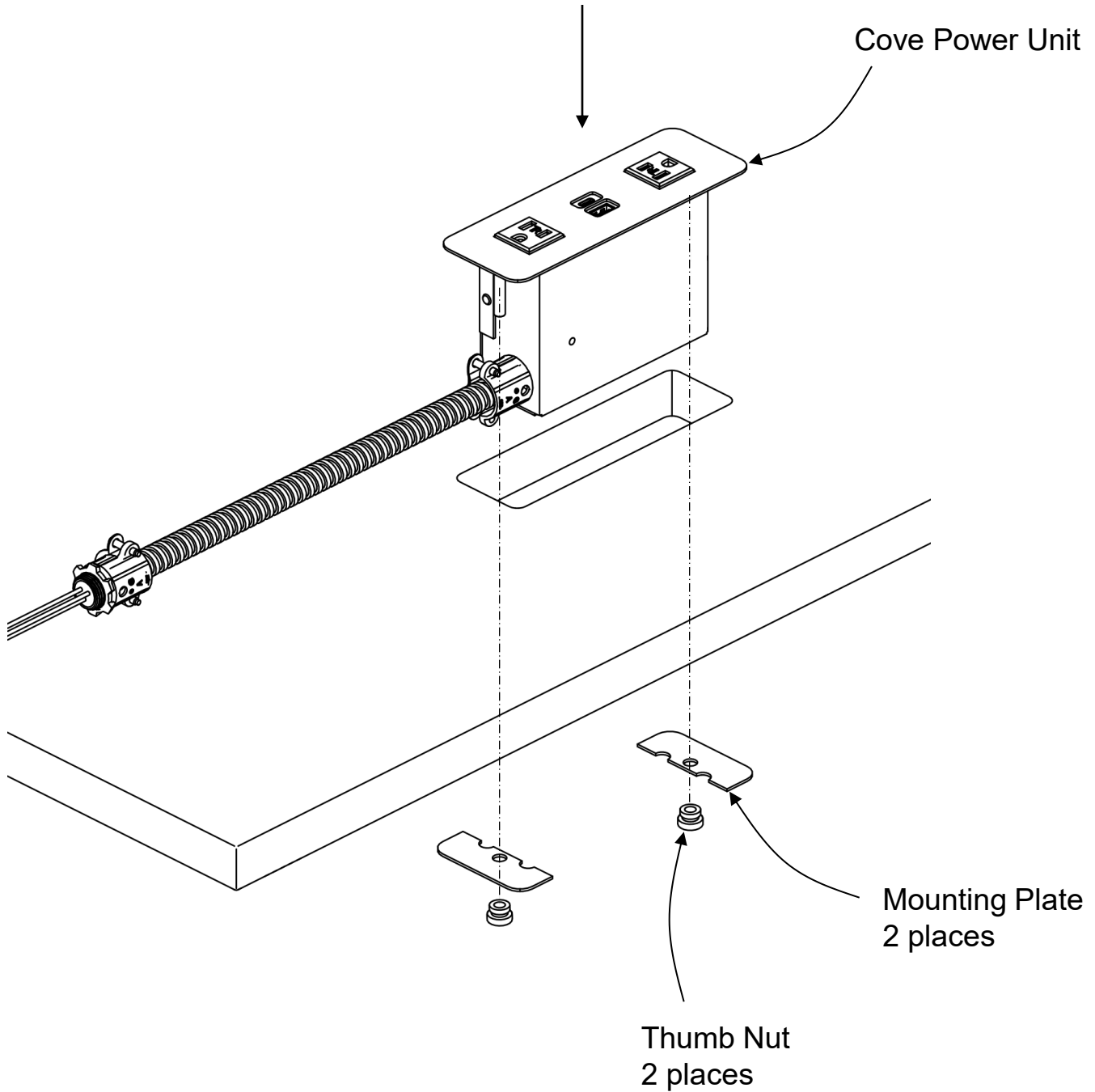
Worksurface

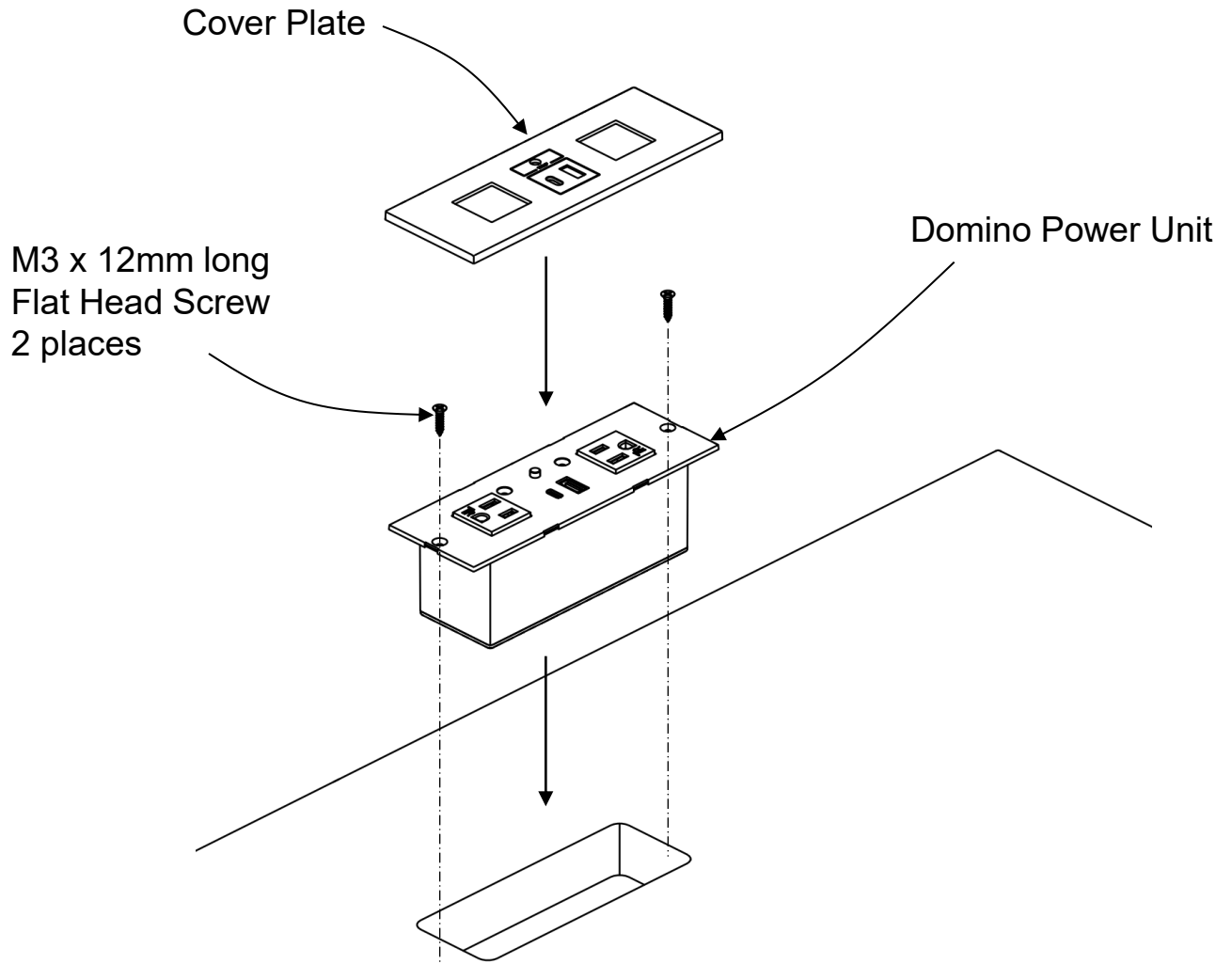


Flat head wood screw #9
x 7/8 long with #2
Phillips drive, silver x 8

Day to Day Tables – Post Leg Base

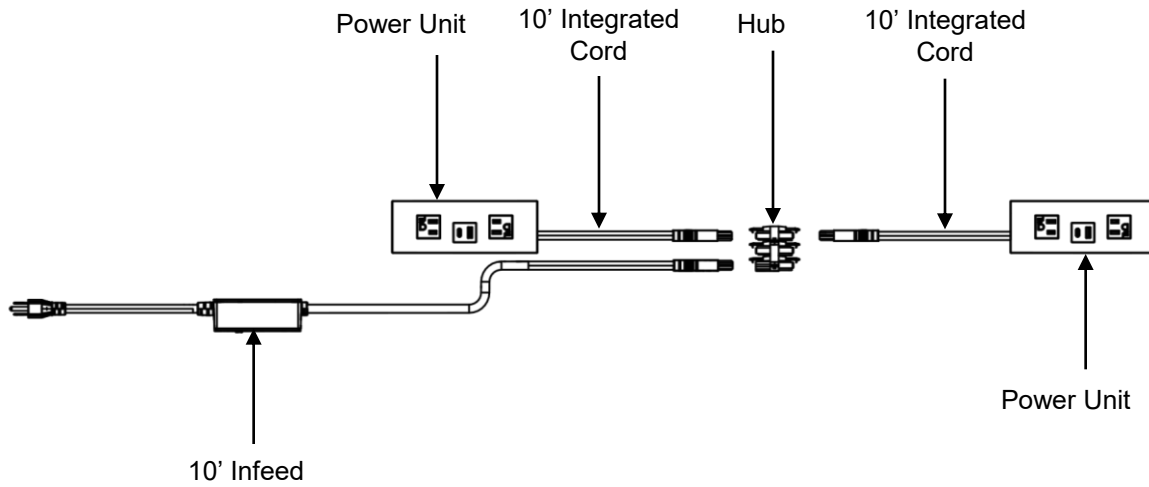
Cove Power Units





Day to Day Tables – Post Leg Base

Daisy Chain Multiple Power Units



Disconnecting Domino jumpers and infeed:

- Make sure to unplug the power cord from the power source before disconnecting the jumpers and infeed.
- To disengage a Domino Power unit jumper or infeed, use a screwdriver to lift prongs up.

