

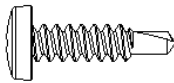
Details

Pedestal-to-panel attachment brackets allow a structural pedestal to be firmly tied into the hanger frame of a panel, while providing a filler for the rear of a pedestal.

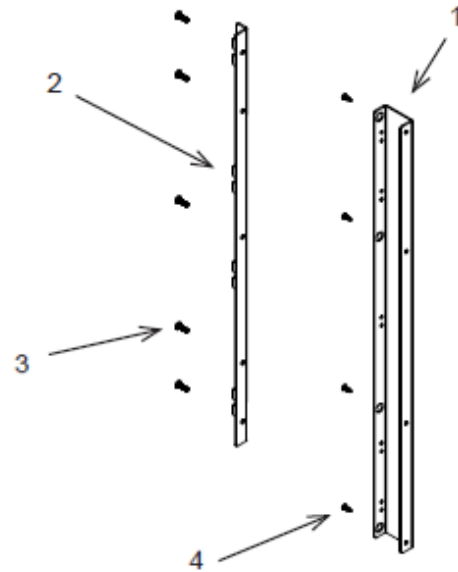
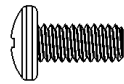
Bracket Parts

1. U Bracket
2. Panel Attach Bracket
3. Pan Head Screws
4. Self Drilling Screws

#8 X 5/8" Pan Head
Philips Tek Screw
#TSP858



#8 X 5/16" Pan Head
Machine Screw
#RP-MXHS83214

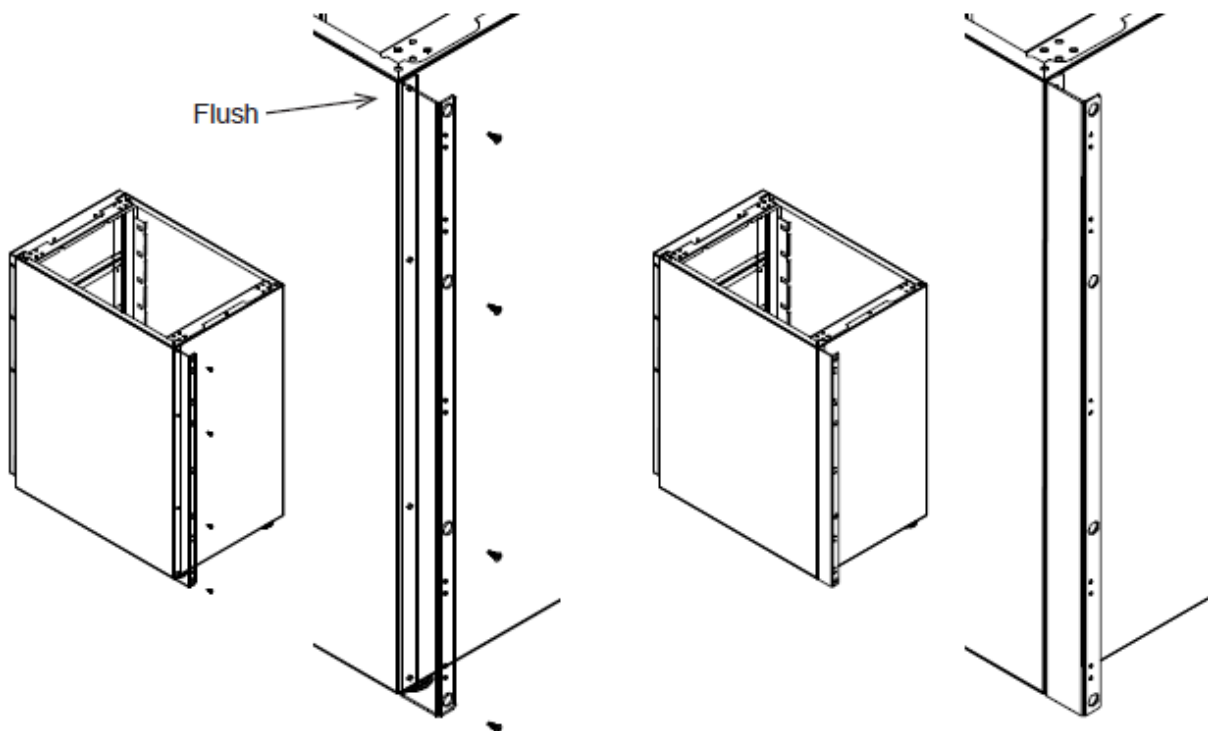


Step 1

Install the "U" bracket onto the pedestal using 5/8" self tapping screws (supplied).

NOTE: Bracket must be flush both to the top and side of the pedestal.

#8 X 5/8" Pan Head
Philips Tek Screw
#TSP858



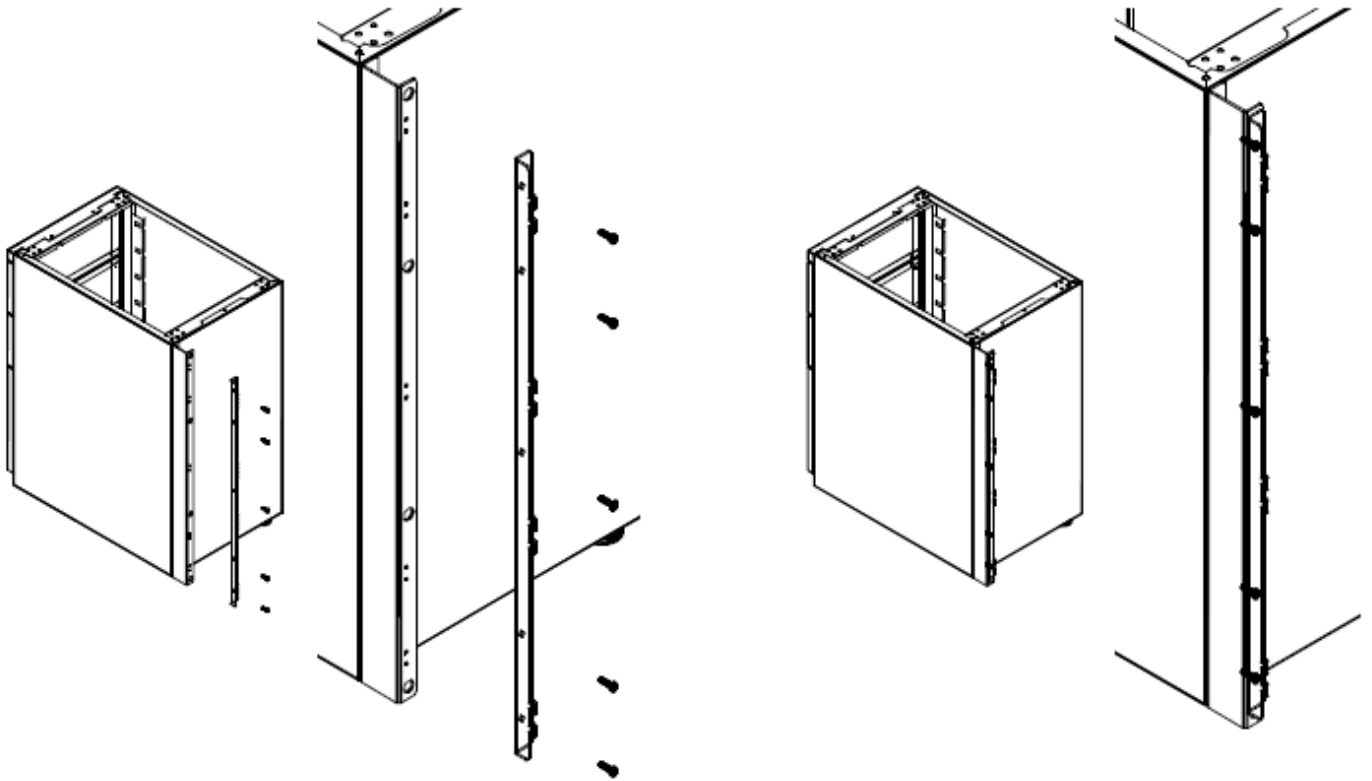
Details

Pedestal-to-panel attachment brackets allow a structural pedestal to be firmly tied into the hanger frame of a panel, while providing a filler for the rear of a pedestal.

Step 2

Install the panel attach bracket onto the "U" Bracket using 5/16" pan head screws (supplied).

#8 X 5/16" Pan Head
Machine Screw
#RP-MXHS83214



Step 3

Using the completed pedestal and panel attachment assembly, you may now attach to hanger frame of panel. This completes the installation of the pedestal-to-panel bracket.

