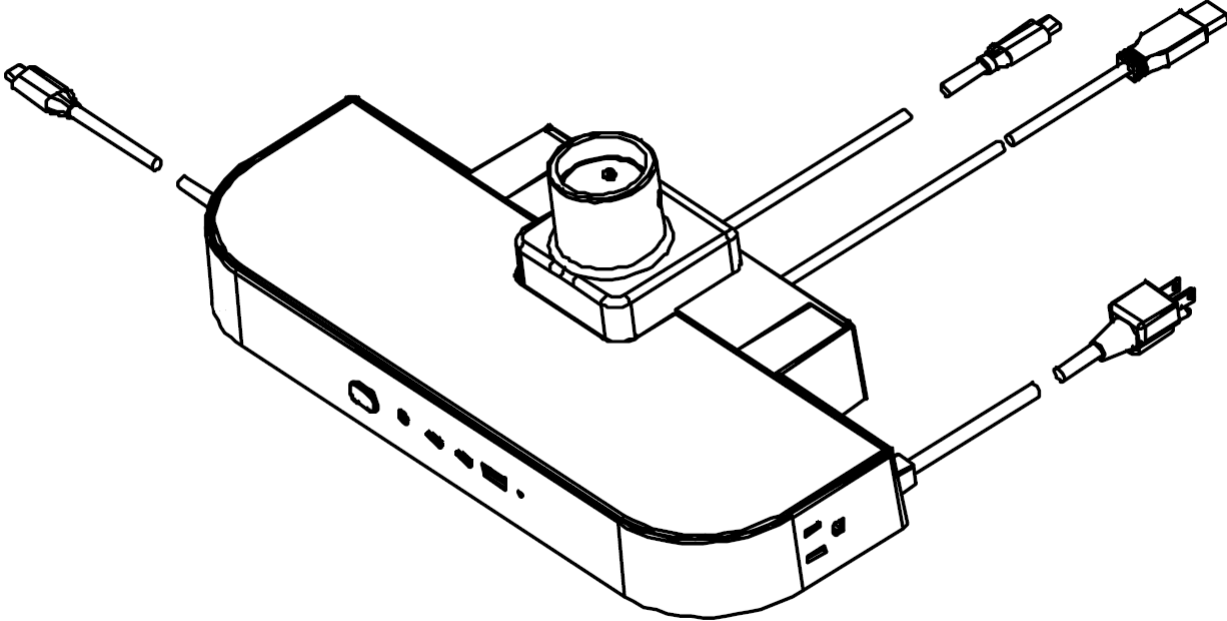
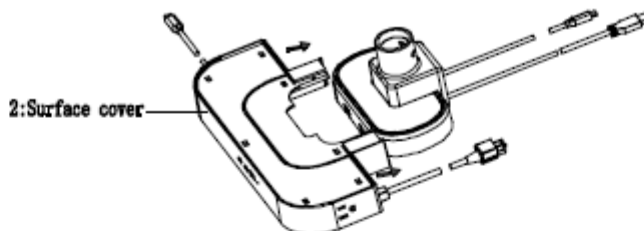


Performance Series Smartdock Installation Instructions

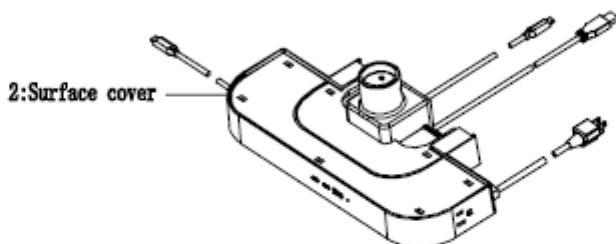


Performance Series Smartdock Installation Instructions

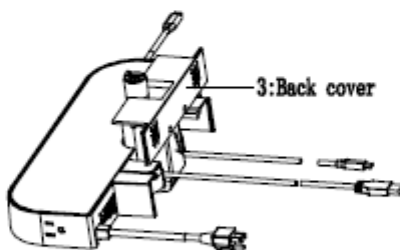
1



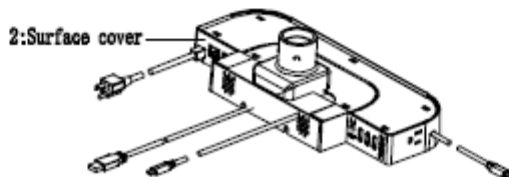
Step 1: Push the docking station parallel into the monitor bracket



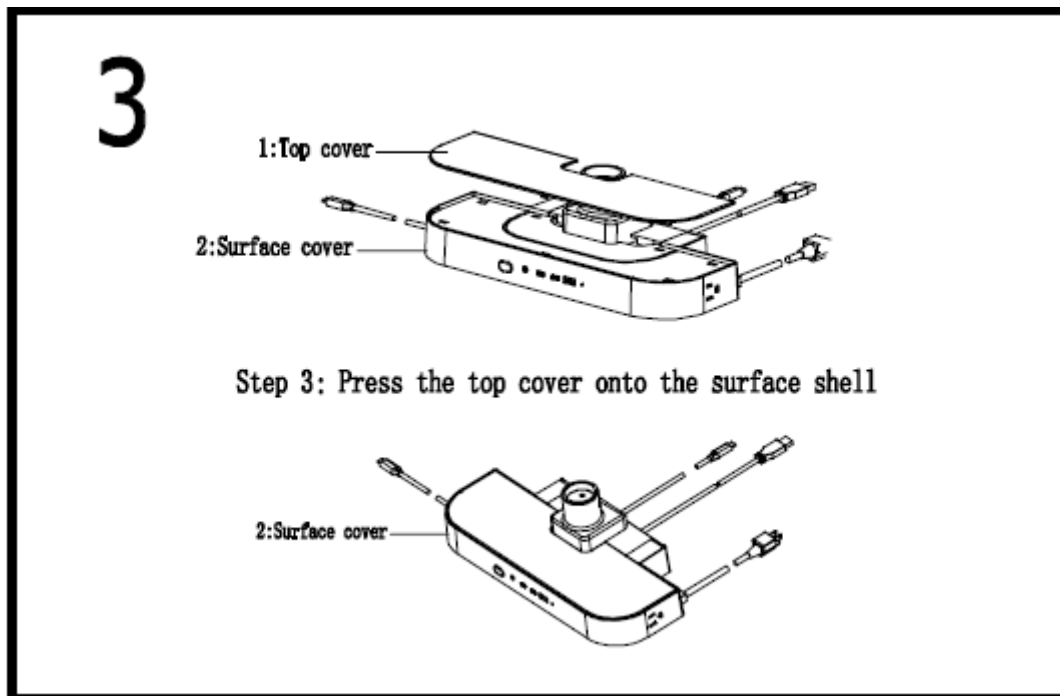
2



Step 2: Install the back cover from top to bottom to the docking station until it is flat, which can secure the docking station and monitor bracket

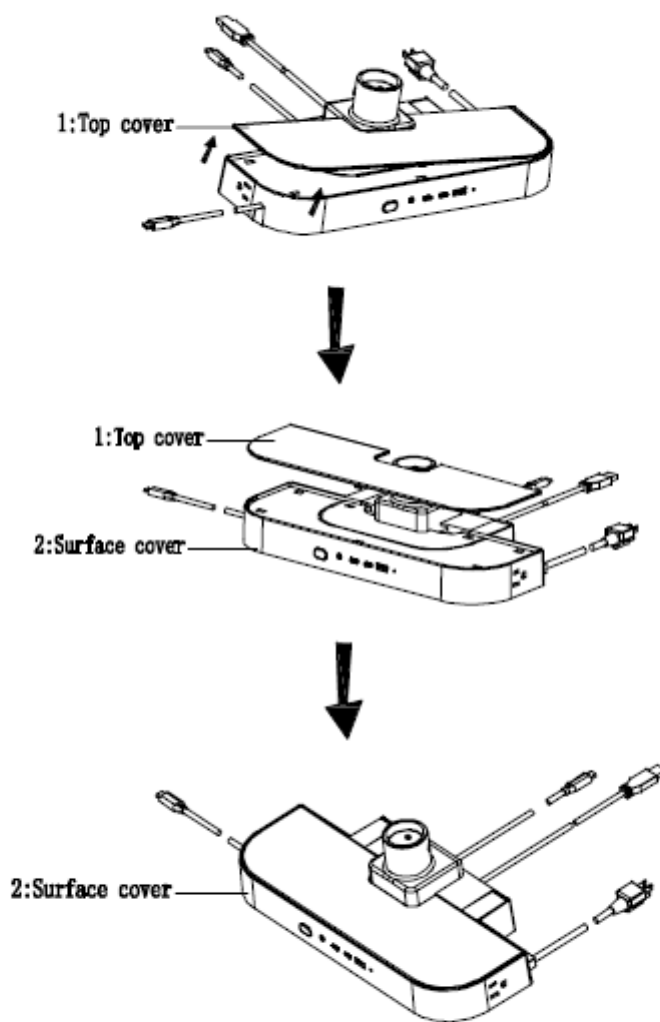


Performance Series Smartdock Installation Instructions



Performance Series Smartdock Installation Instructions

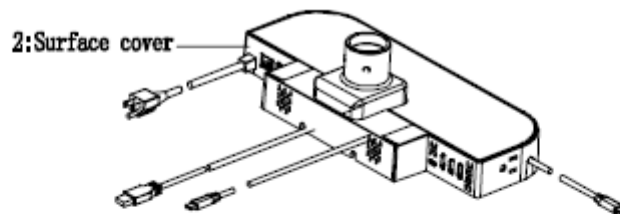
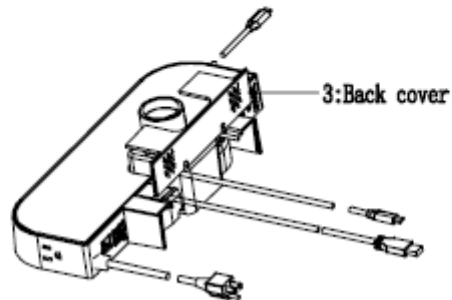
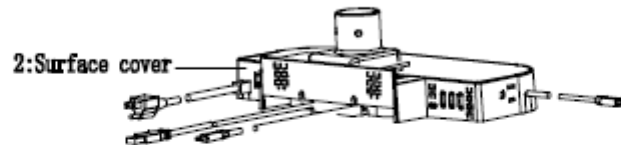
4 Replacing the Top Cover



Step 4: The finger buckle open the top cover and replace it with the corresponding model. After successful exchange, press the top cover onto the surface shell

Performance Series Smartdock Installation Instructions

5



Step 5: Push open the back cover from bottom to top and replace it with the corresponding model of back cover.
After successful exchange, press the back cover from top to bottom until it is flat