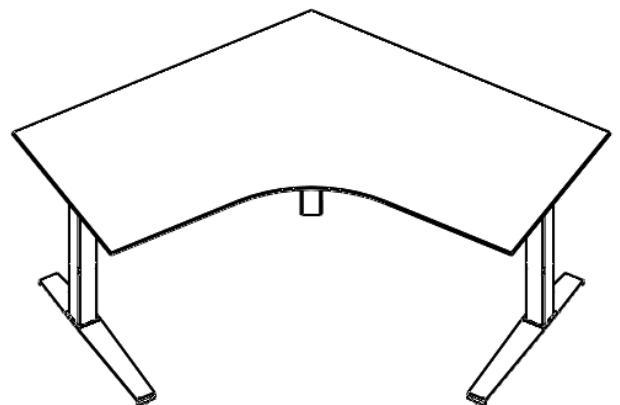
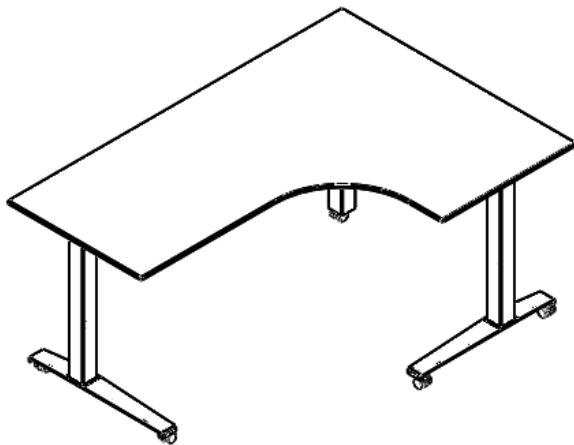
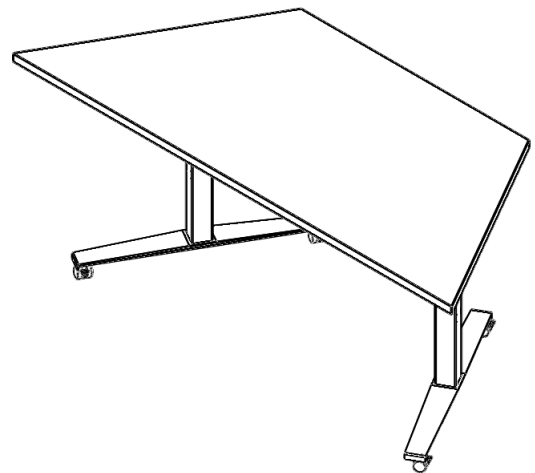
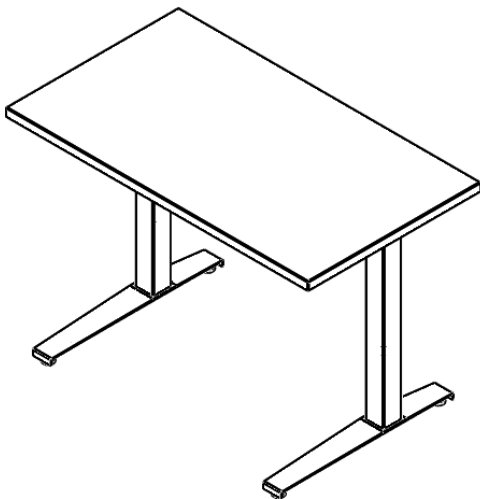
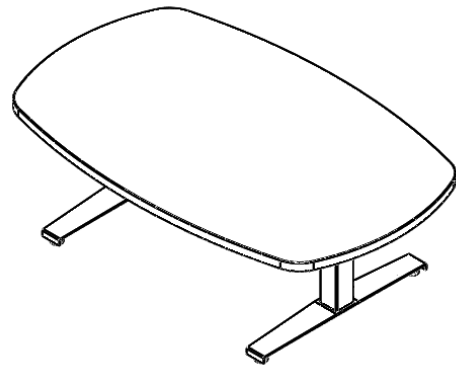


# Day to Day Tables – Steel Base

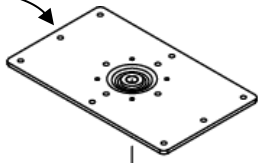


Date	Page No.	Description of change	Name
6/22/2018	1-7	Released	S. Powers
12/12/18	8	Added AIS Power Unit Instruction	S. Powers
9/26/2025	8-10	Updated Power Units	S. Powers

# Day to Day Tables – Steel Base

# X-T-C Base Assembly

Top Plate



Post	Length
16H for Caster	11.319
16H for Glide	12.319
29H for Caster	24.319
29H for Glide	25.319
42H for Caster	37.749
42H for Glide	38.749

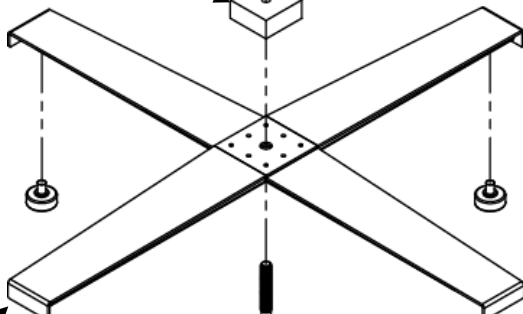
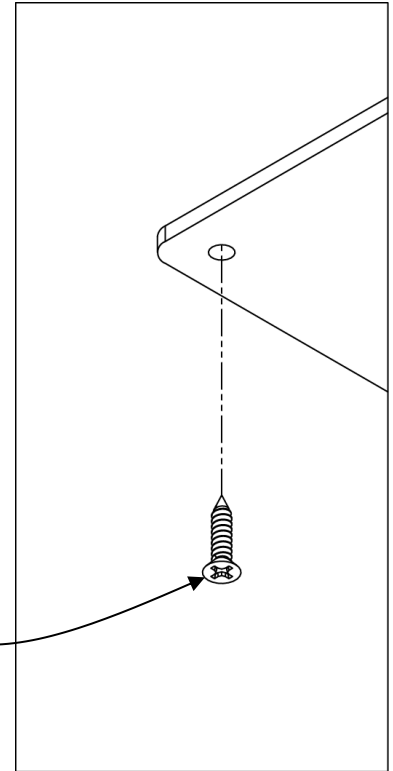
2.5" Post



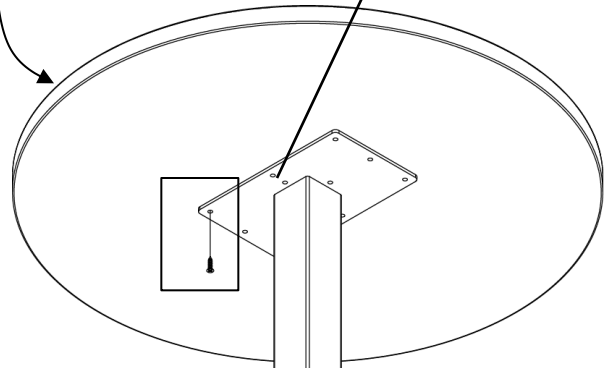
Foam Block



Flat head wood screw  
#9 x 7/8 long with  
#2 Phillips drive  
silver x 12



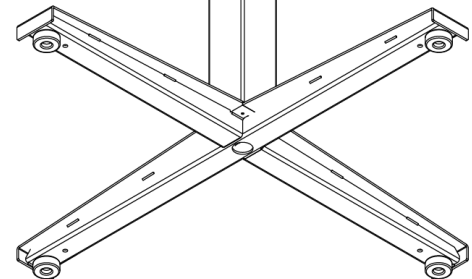
Worksurface



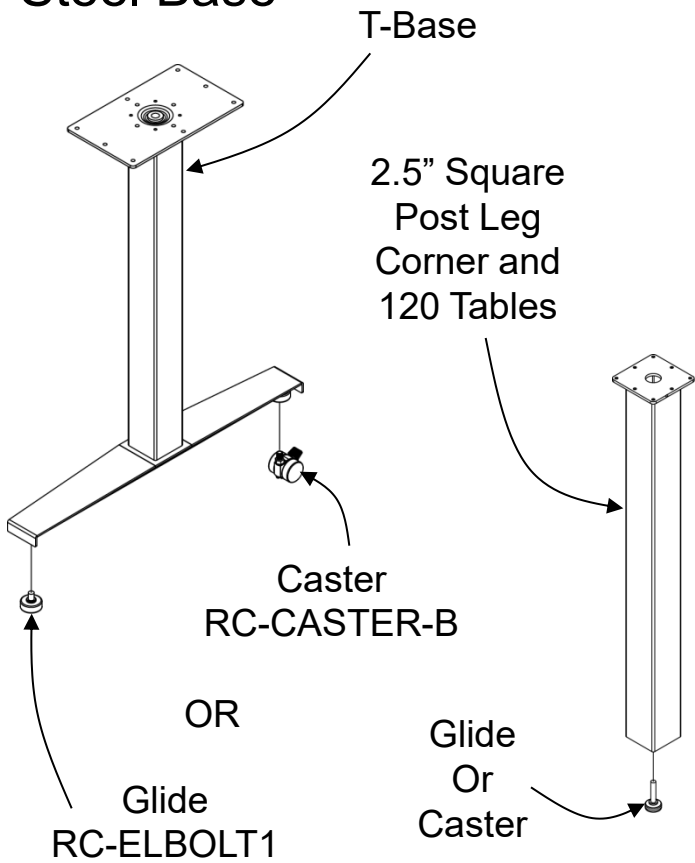
X-Base

Glide RC-ELBOLT1  
Or  
Caster RC-CASTER-B

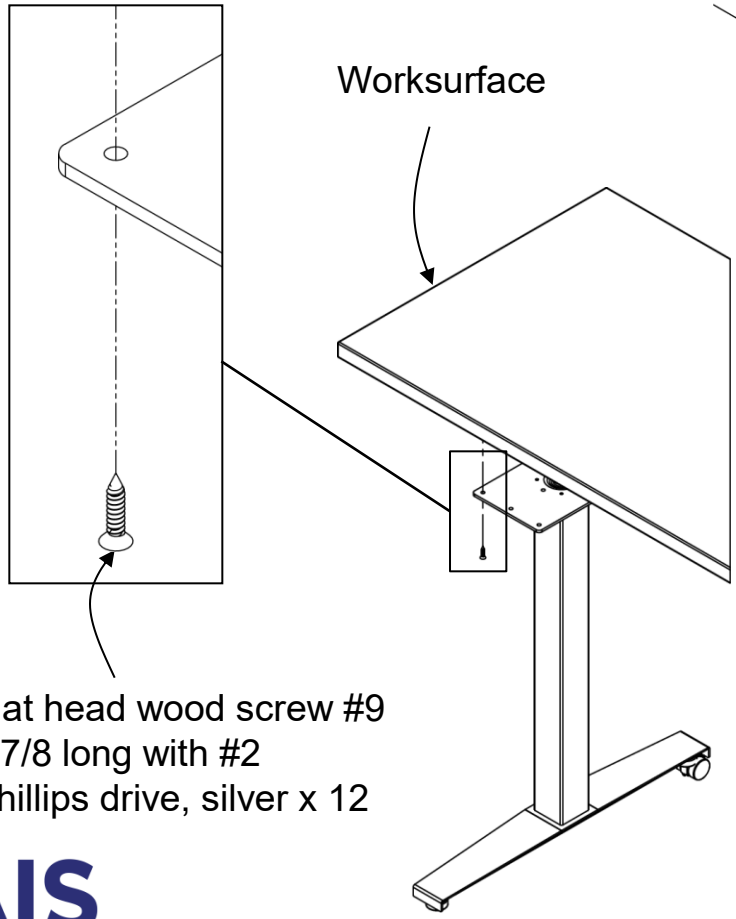
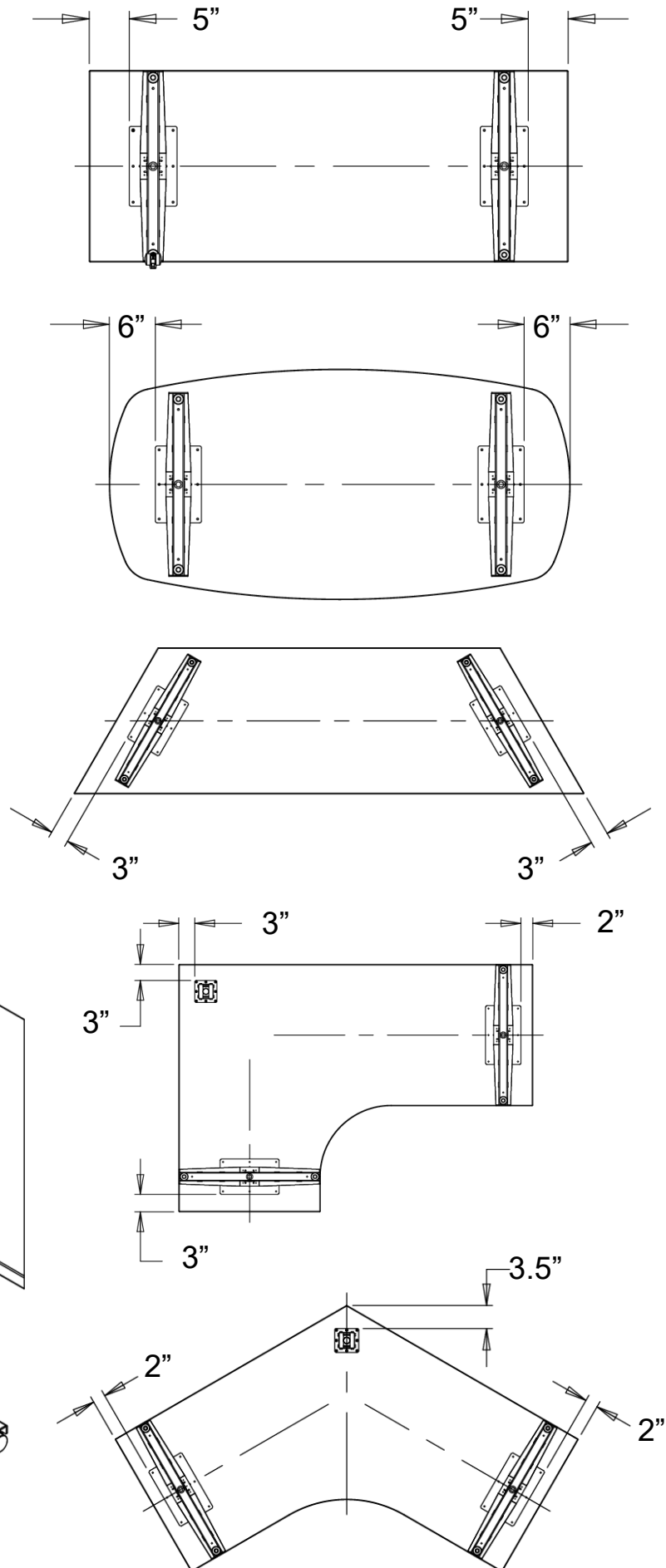
5/8" Hex Head  
Long Bolt



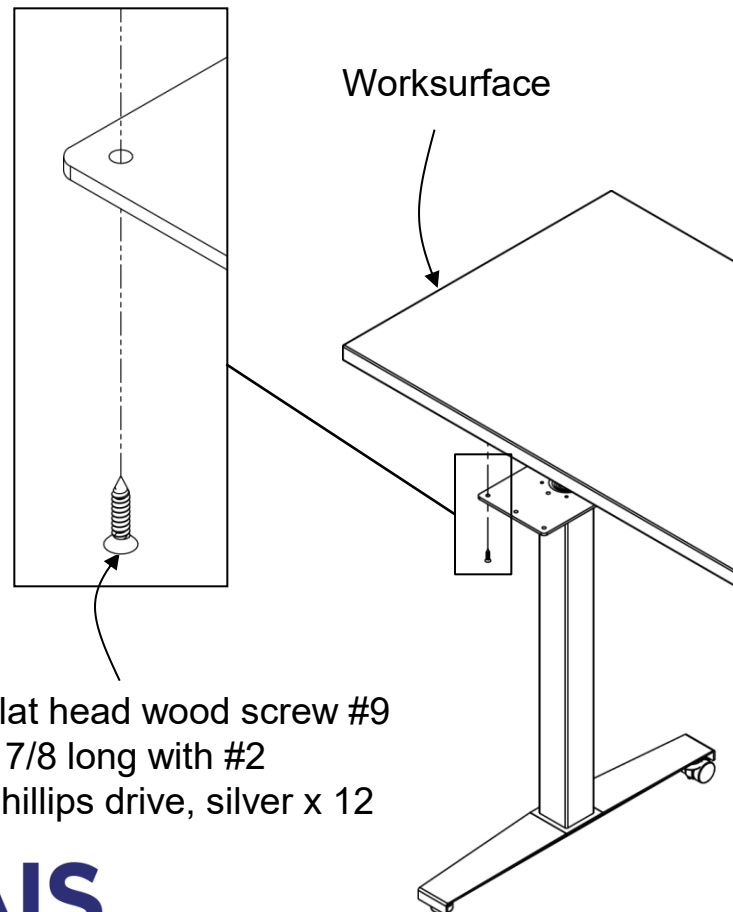
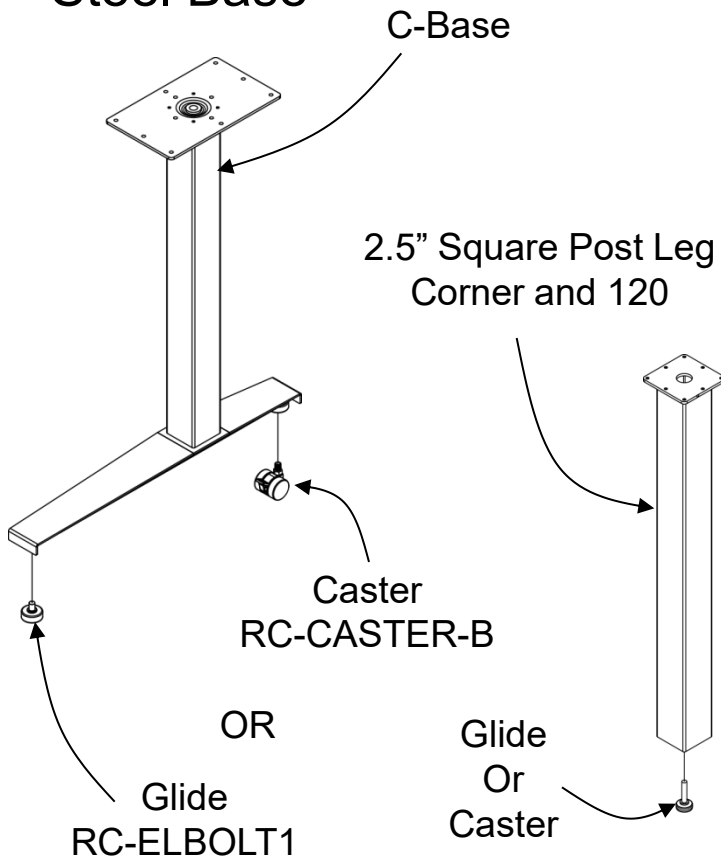
# Day to Day Tables – Steel Base



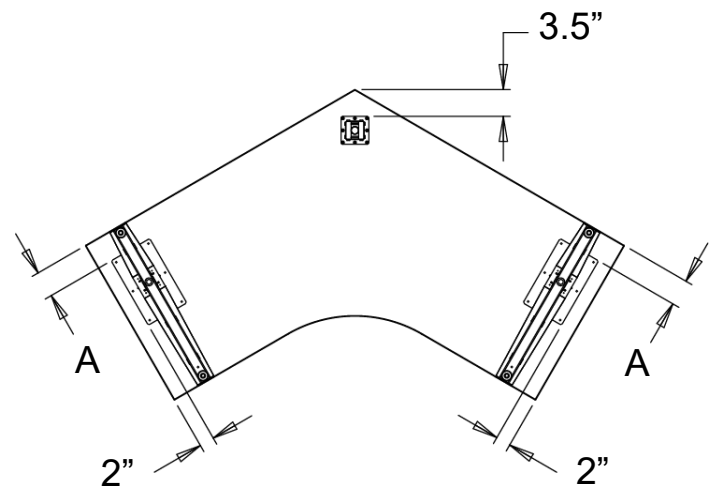
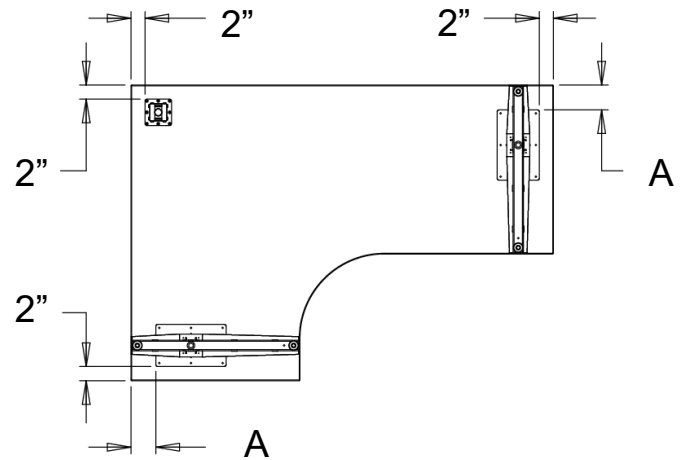
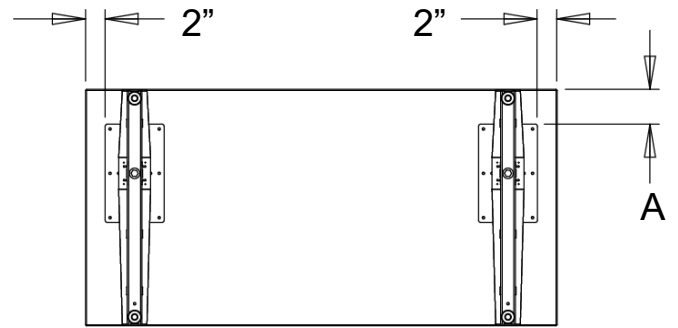
## T-Base Assembly



# Day to Day Tables – Steel Base



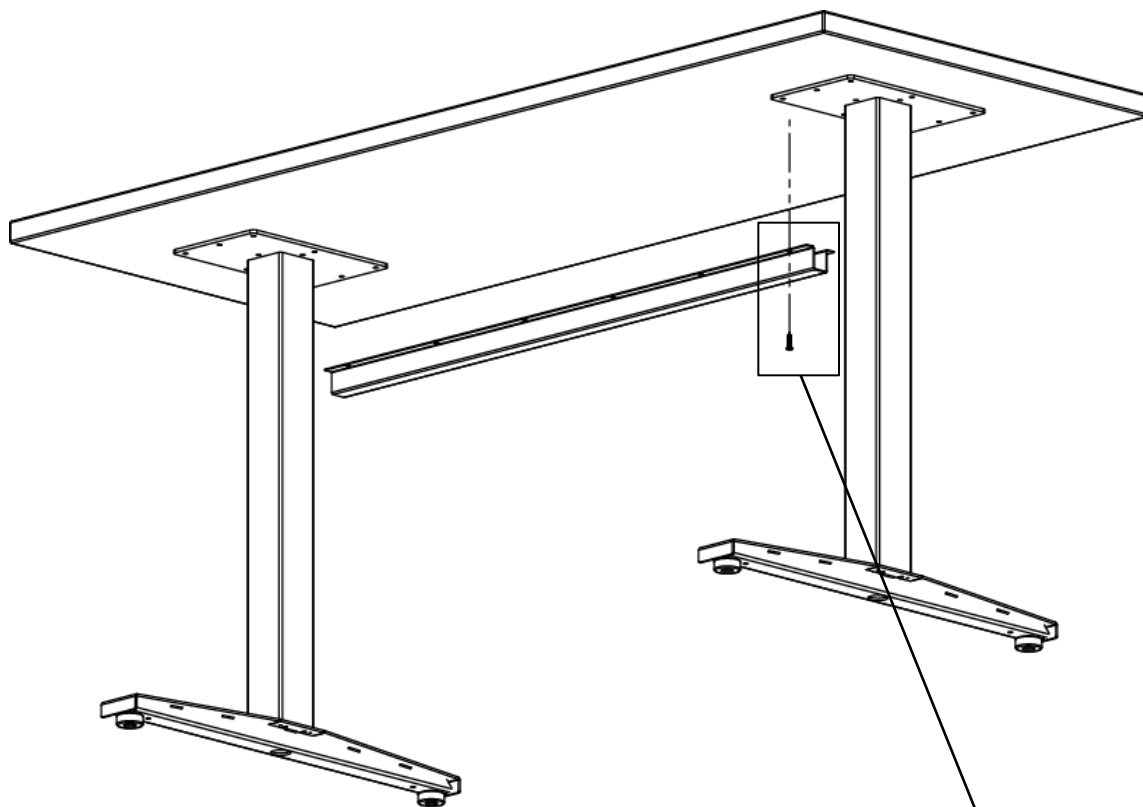
## C-Base Assembly



SURFACE	DIM A
24D	3.5"
30D	5"

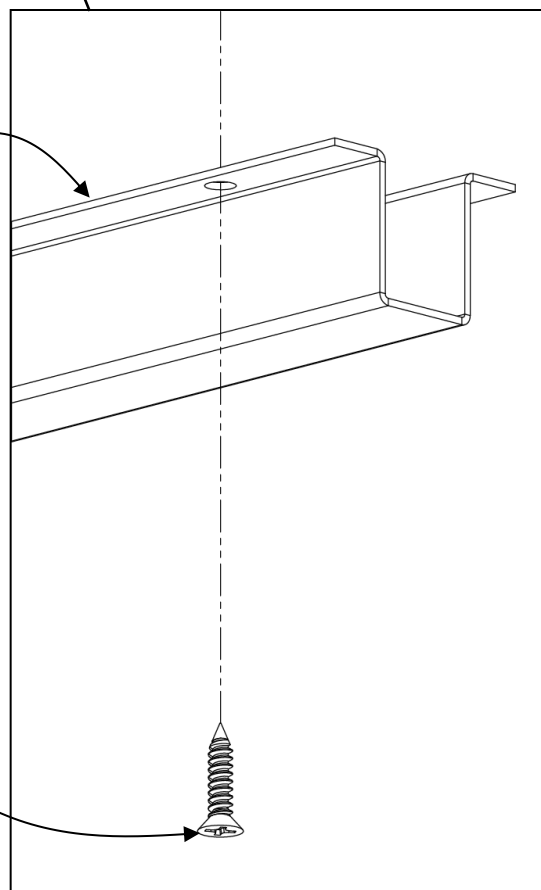
# Day to Day Tables – Steel Base

## U-Channel Assembly



U-Channel  
(See following page for location)

Flat head wood screw #9  
x 7/8 long with #2  
Phillips drive, silver x 12

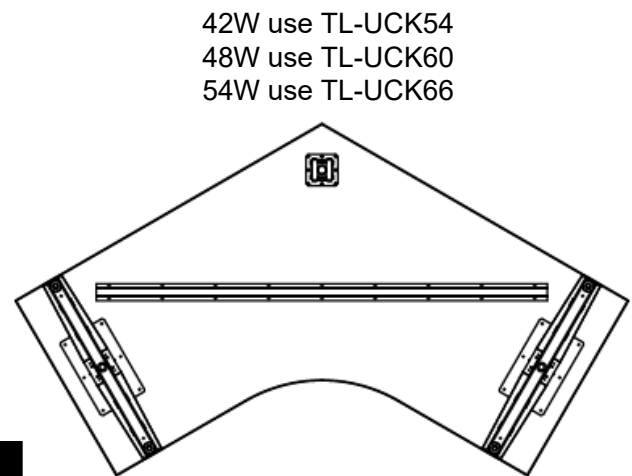
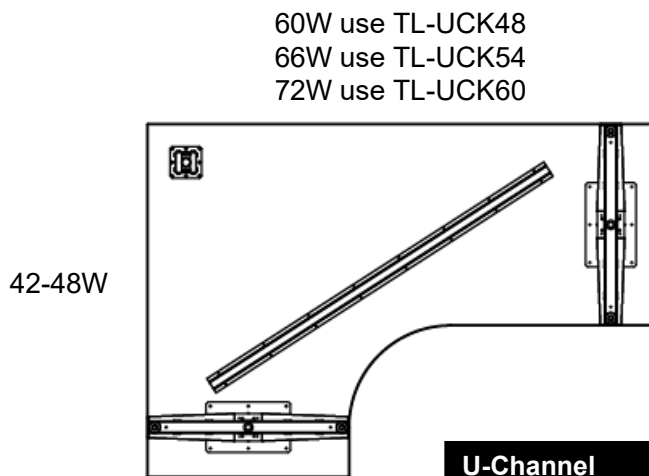
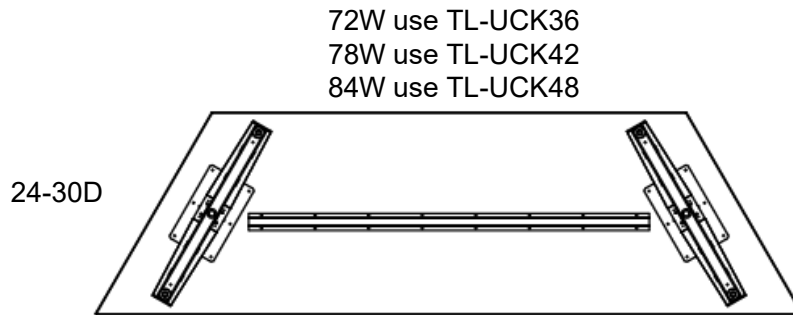
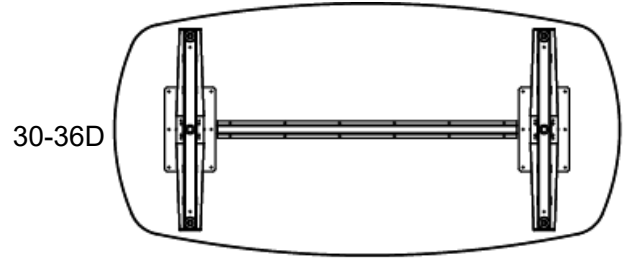
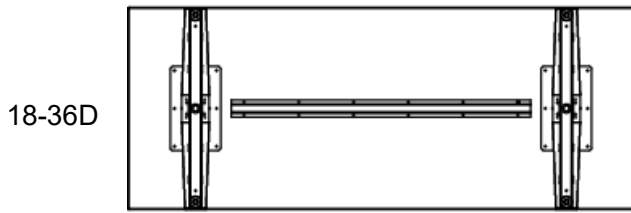


# Day to Day Tables – Steel Base

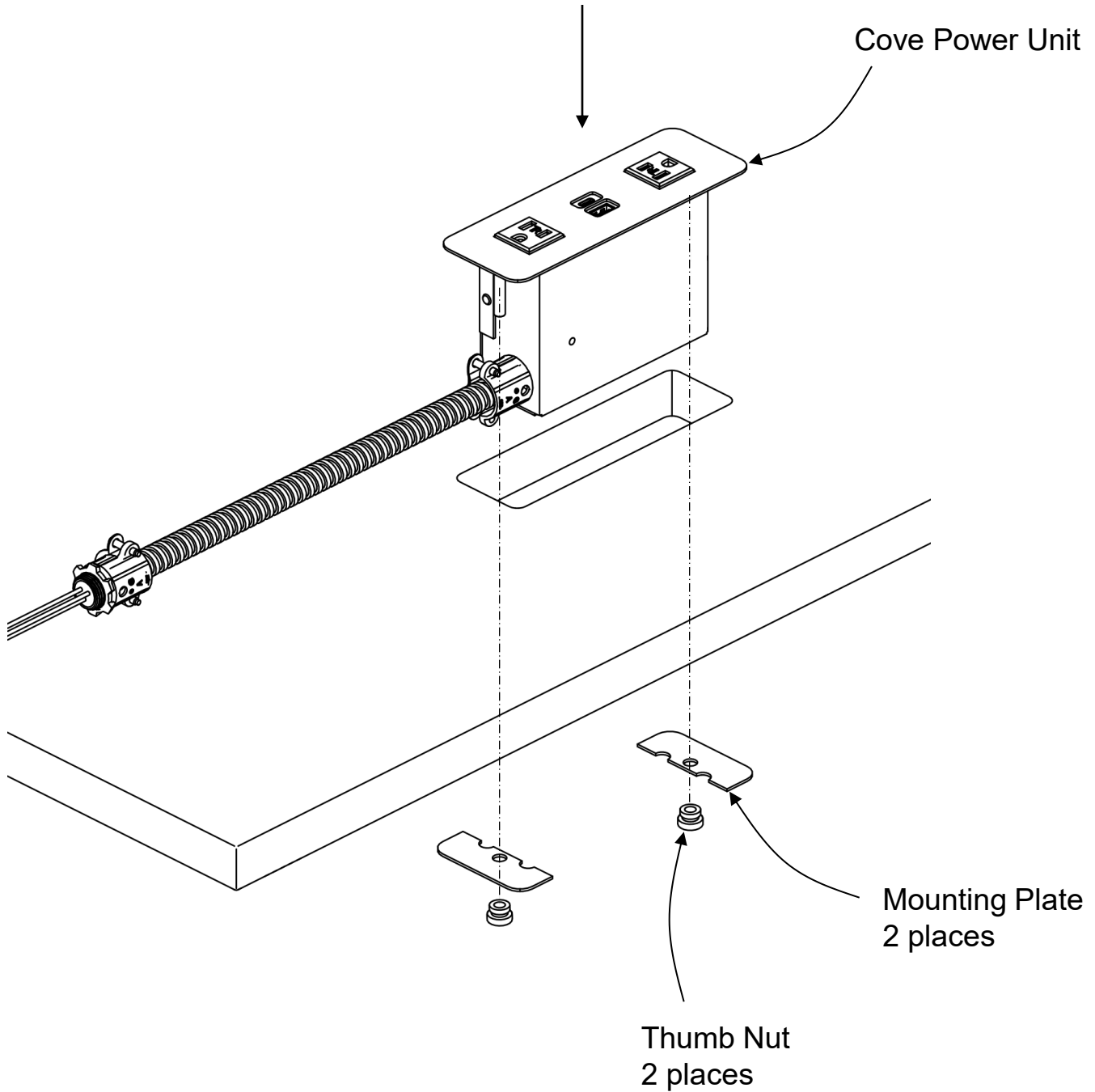
## U-Channel Assembly

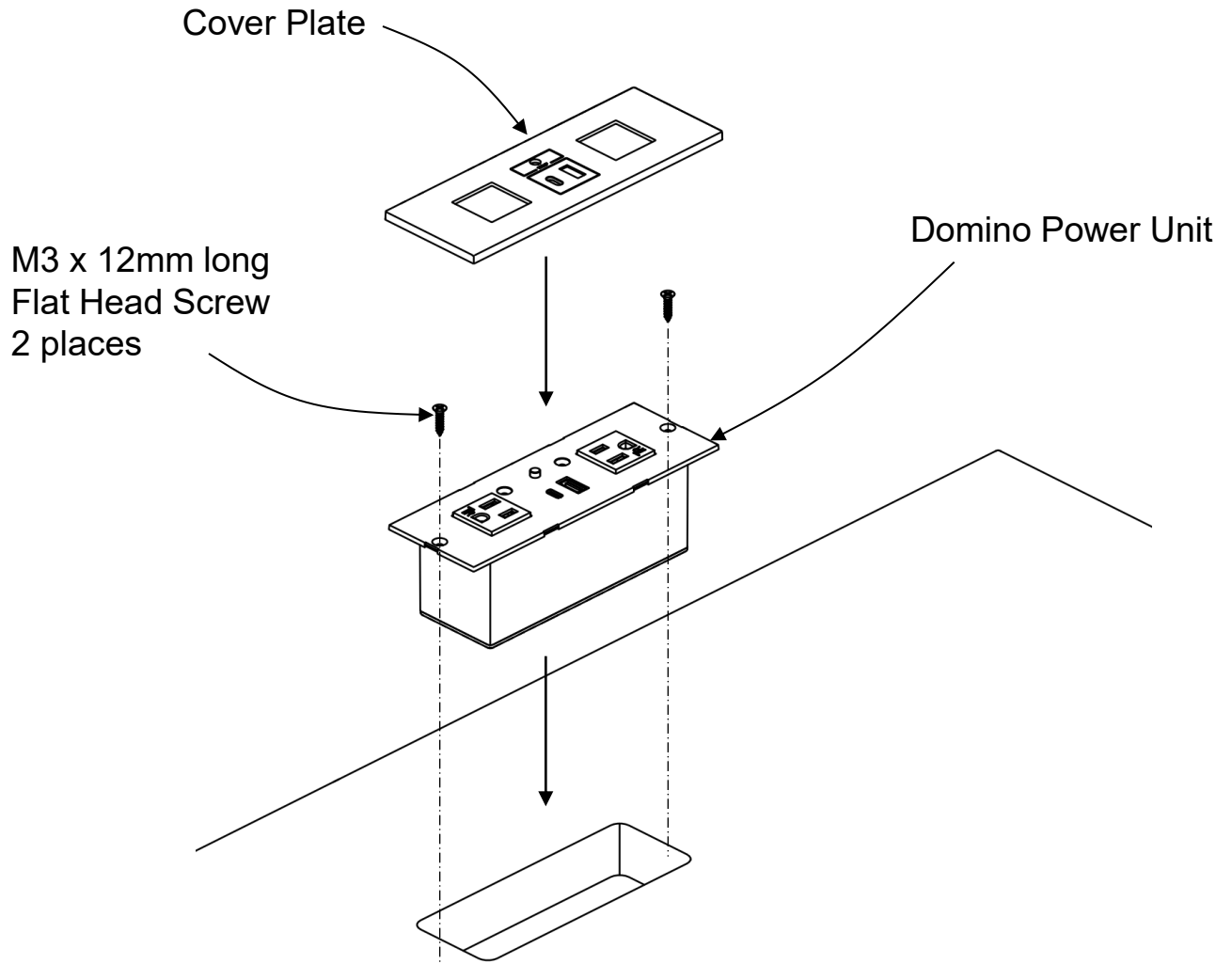
T-Base:                    C-Base:  
 60W use TL-UCK36        54W use TL-UCK36  
 66W use TL-UCK42        60W use TL-UCK42  
 66W use TL-UCK42        66W use TL-UCK48  
 72W use TL-UCK48        72W use TL-UCK54

60W use TL-UCK36  
 66W use TL-UCK42  
 72W use TL-UCK48



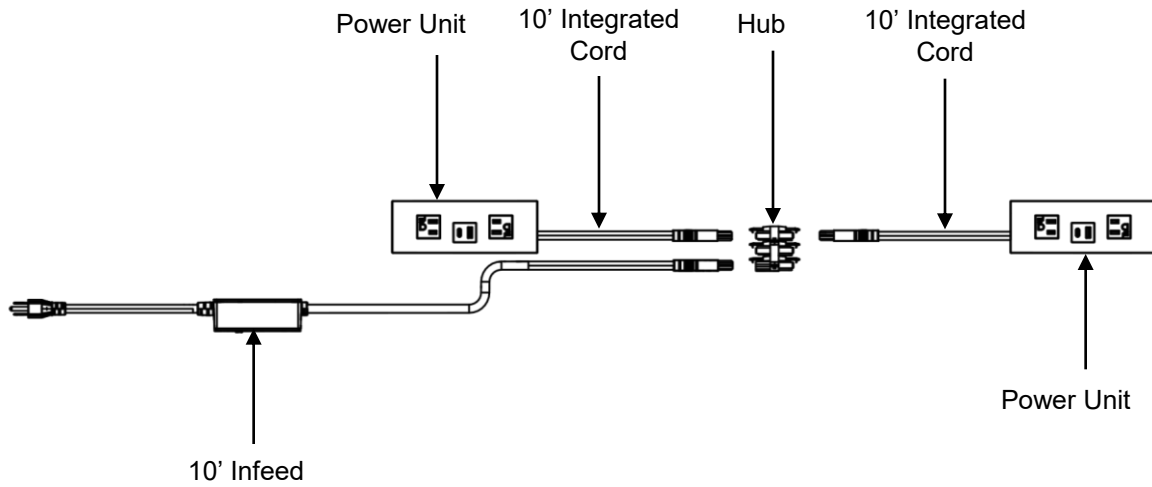
U-Channel	Length
TL-UCK36	36"
TL-UCK42	42"
TL-UCK48	48"
TL-UCK54	54"
TL-UCK60	60"
TL-UCK66	66"





# Day to Day Tables – Steel Base

# Daisy Chain Multiple Power Units



### Disconnecting Domino jumpers and infeed:

- Make sure to unplug the power cord from the power source before disconnecting the jumpers and infeed.
- To disengage a Domino Power unit jumper or infeed, use a screwdriver to lift prongs up.

