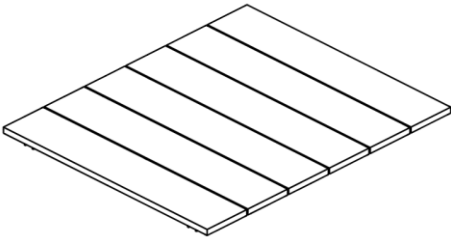
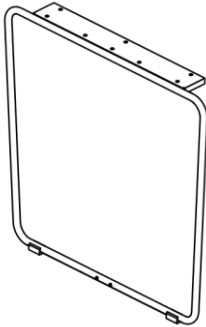
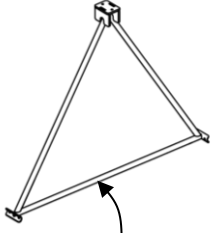
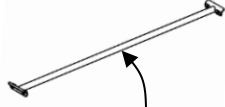
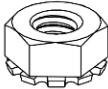

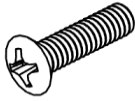
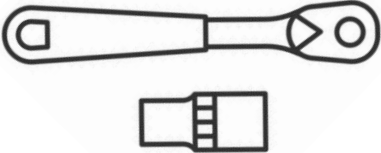
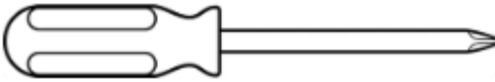


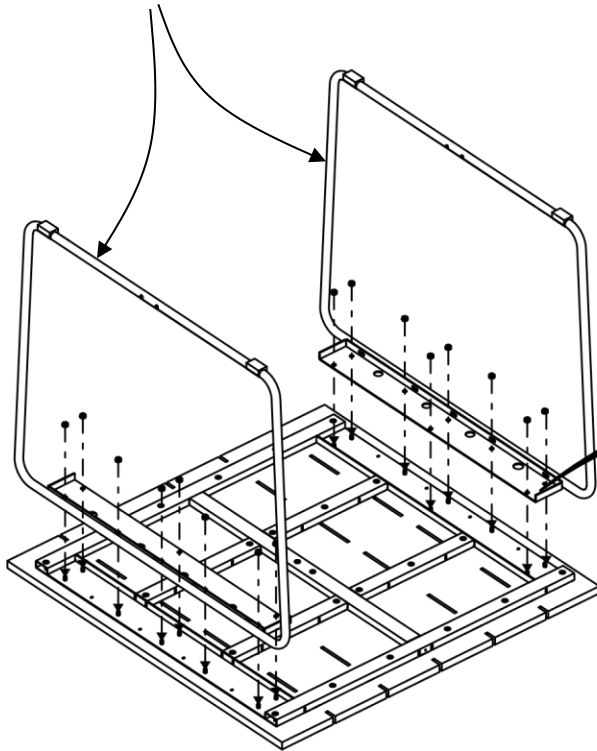
# Seaboard Collection Installation Instructions

Date	Page No.	Description of change	Name
04/01/2025	1-2	Released	S. Powers

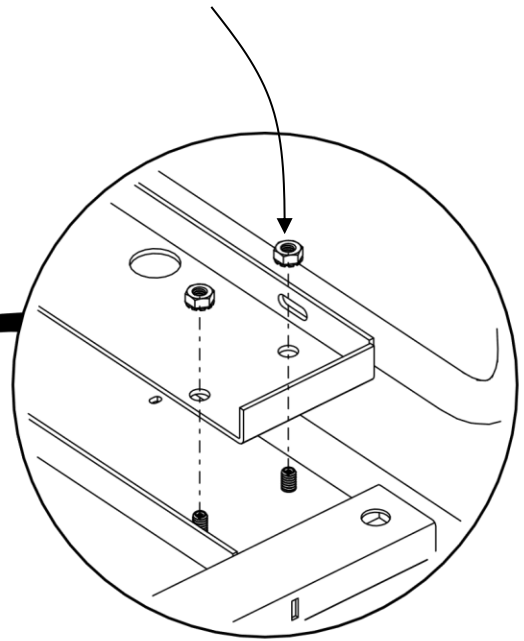
Parts List		
<p>Tabletop x 1</p> 	<p>Leg x 2</p> 	<p>Crossmember x 1</p>  <p>(for 29H Tables)</p>  <p>(for Occasional Tables)</p>
<p>Locknut with External Tooth Lock Washer x 20 1/4-20 Thread, 7/16" Hex</p> 	<p>Pan Head Screw x 2 1/4-20 x 3/4" long</p> 	<p>Oval Head Screw x 4 1/4-20 x 1" long</p> 
Recommended Tools		
<p>Small Ratchet with 7/16" Socket</p> 	<p>Screwdriver, #2 Phillips</p> 	

# Seaboard Collection Installation Instructions

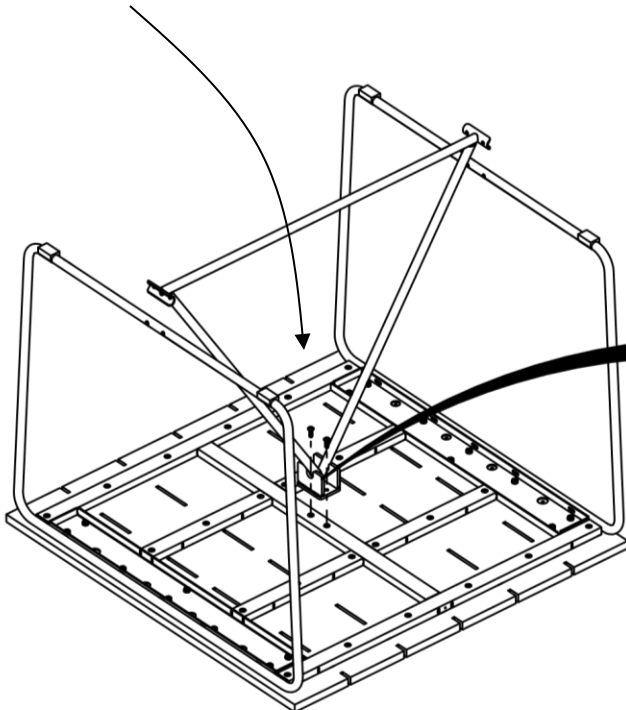
Align holes in the leg plate to the studs in the tabletop.



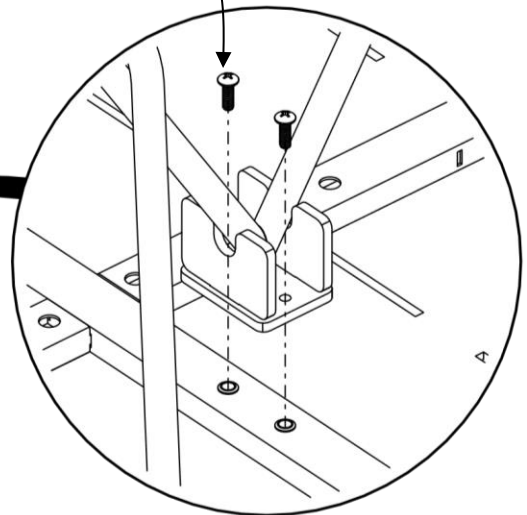
1/4-20 Lock Nut  
7/16" Hex  
16 places



Secure crossmember center bracket to the tabletop  
(not required for occasional tables)



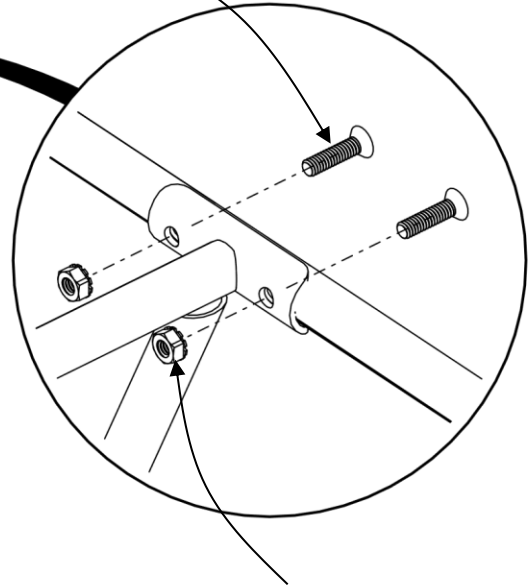
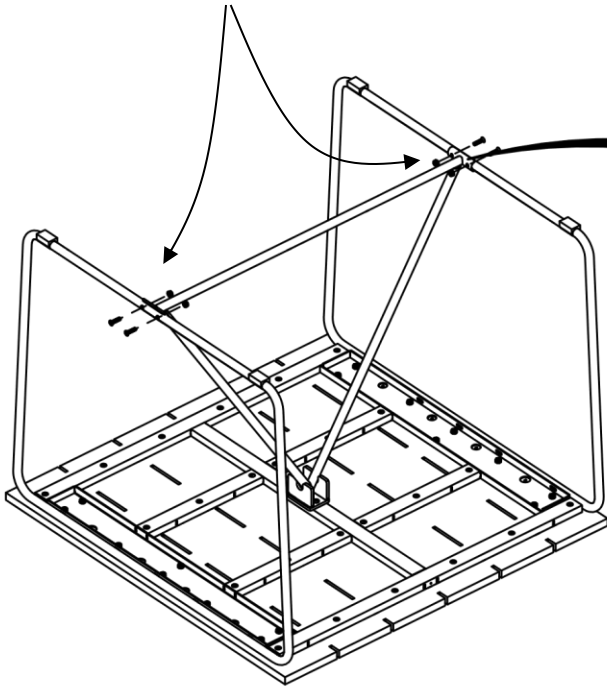
1/4-20 x 3/4" long  
Pan Head Screw  
#2 Phillips Drive  
2 places



# Seaboard Collection Installation Instructions

Secure crossmember to legs.

1/4-20 x 1" long  
Oval Head Screw  
Phillips Drive #2  
4 places



1/4-20 Lock Nut  
7/16" Hex  
4 places

