



Read the entire instruction manual before you start installation and assembly. If you have any questions regarding any of the instructions or warnings, please contact your local distributor for assistance.

CAUTION: Use with products heavier than the rated weights indicated may result in instability causing possible injury.

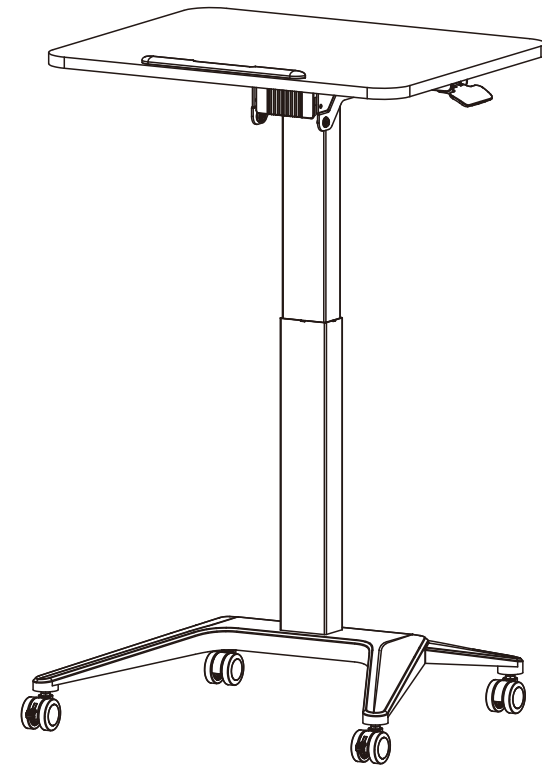
- Please closely follow the assembly instructions. Improper installation may result in damage or serious personal injury.
- Safety gear and proper tools must be used. This product should only be installed by professionals.
- Make sure that the supporting surface will safely support the combined weight of the equipment and all attached hardware and components.
- Use the mounting screws provided and **DO NOT OVER TIGHTEN** mounting screws.
- This product contains small items that could be a choking hazard if swallowed. Keep these items away from children.
- This product is intended for indoor use only. Using this product outdoors could lead to product failure and personal injury.

IMPORTANT: Ensure that you have received all parts according to the component checklist prior to installation. If any parts are missing or faulty, contact your place of purchase for a replacement.

MAINTENANCE: Check that the product is secure and safe to use at regular intervals (at least every three months).

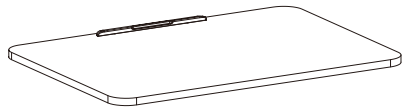
Instruction Manual

MOBILE SIT-STAND WORKSTATION

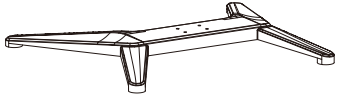


RT-FWS12-NT

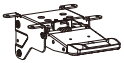




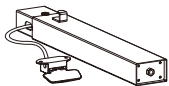
A (x1)



B (x1)



C (x1)



D (x1)



E (x2)



F (x2)



G (x8)
M6x25



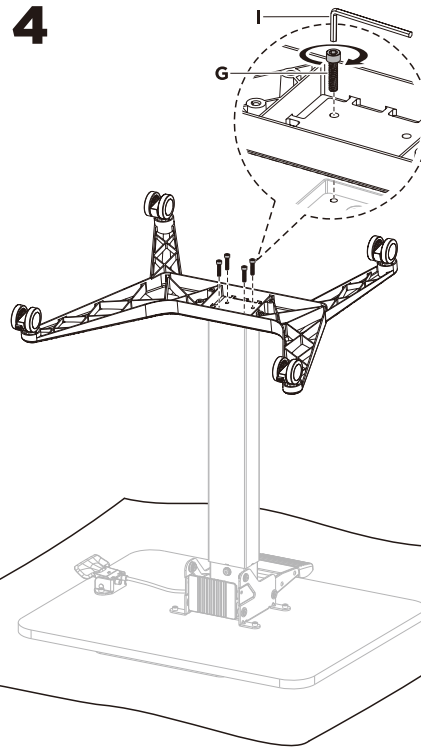
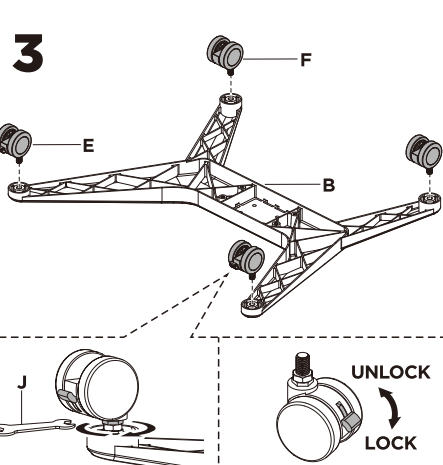
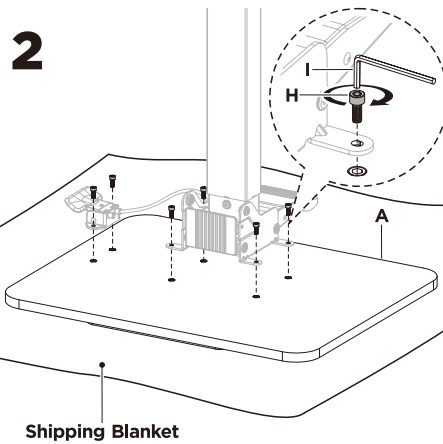
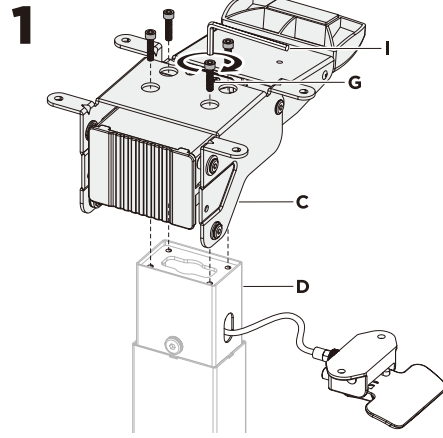
H (x6)
M6x15



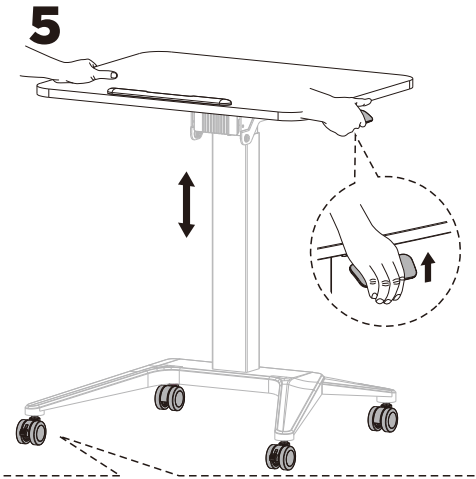
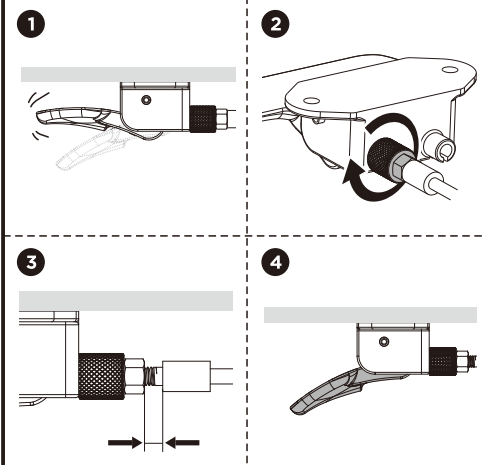
I (x1)
5mm



J (x1)
14-17mm



The handle may be loose at the time of installation, making the pneumatic mechanism firm to adjust. Please twist the knob to tighten/loosen the resistance.
Note: Do not press the handle when tightening the knob.



Note: If the caster can't touch the ground, loosen the lower nut as shown to adjust the caster to proper position, then tighten the upper nut.

