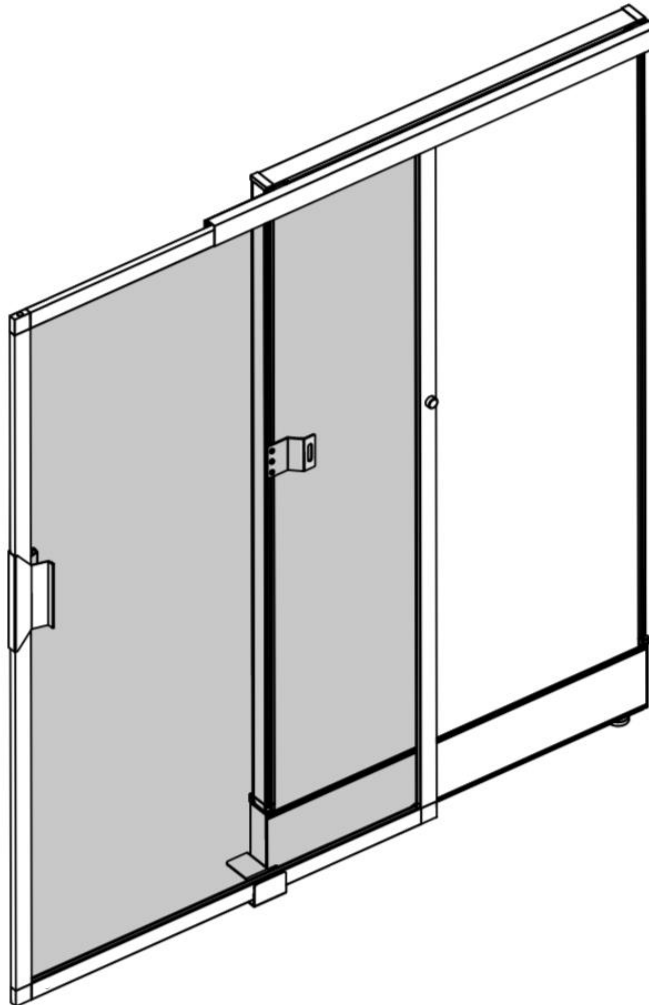


Divi Sliding Privacy Screen Installation Instructions

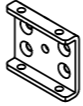



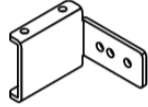


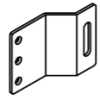


Date	Page No.	Description of change	Name
11/22/2022	1-11	Redo for clarification	S. Powers
06/02/2025	3	Added Right Bracket to P16	P. Day
08/01/2025	1,3,8	Identify left or right bottom bracket	S. Powers

Note:

These instructions show the installation of a right-hand door.
The left-hand door install in the same manner.



Divi Sliding Privacy Screen Installation Instructions

Item	Replacement Part number	Circle Sheet Part Number	Description	Image
P1	A-TBSLDDVMW	RA-TBSLDDVMW	Top Bracket	
P2	RE-HS1058F-D	RE-HS1058F-D	#14-24 x 5/8" Pan Head Thread Cutting Screw	
P3	A-RPSTTBVxx(X) xx = nominal width (X) = extended	RA-RPSTTBVxx(X) xx = nominal width (X) = extended	Guide Rail	
P4	RS-HSSE3	RS-HSSE3	#8-32 x 3/8" Pan Head Screw	
P5	A-RPSLWATB	RA-RPSLWATB	Top Wall Bracket	
P6	RA-PPS	RA-PPS	#10 x 1" Pan Head Drilling Screw	
P7	RH-TSP812	RH-TSP812	#8 x 1/2" Pan Head Drilling Screw	
P8	A-DVLBSLSLD	RA-DVLBSLSLD	Lock Bracket	
P9	RP-TSP1012A	RP-TSP1012A	#10-24 x 1/2" Pan Head Drilling Screw	
P10	RP-PPSLD	RP-PPSLD	Lock	

Divi Sliding Privacy Screen Installation Instructions

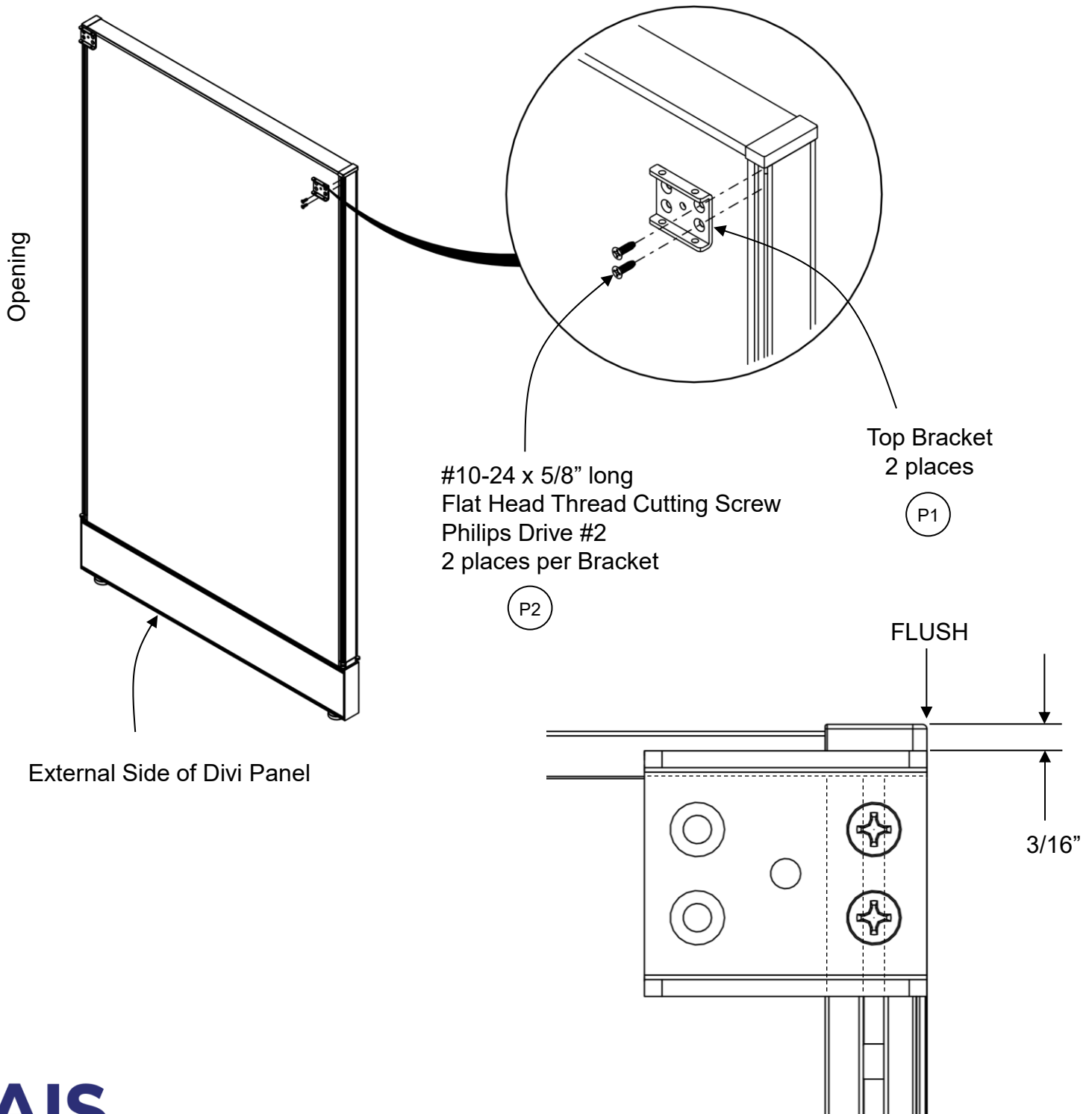
Item	Replacement Part number	Circle Sheet Part Number	Description	Image
P11	RH-TSSF612	RH-TSSF612	#6 X 1/2" Flat Head Drilling Screw	
P12	RH-RPSWHEEL-I	RA-RPSWHEEL-I	Wheel	
P13	RH-SSFP103258-I	RH-SSFP103258-I	#10-32 x 5/8" Shoulder Screw	
P14	RS-FDLRUBBUMP-I	RS-FDLRUBBUMP-I	Bumper	
P15	RE-HS1058F-D	RE-HS1058F-D	#10-24 x 5/8" Flat Head Thread Cutting Screw	
P16	P-DVSLDBDBL P-DVSLDBDBR	RP-DVSLDBDBL RP-DVSLDBDBR	Bottom Bracket – Left Bottom Bracket - Right	<div style="display: flex; justify-content: space-around;"> <div style="text-align: center;"> <p>Left</p>  </div> <div style="text-align: center;"> <p>Right</p>  </div> </div>
P17	RH-94060A245	RH-94060A245	#10-3/4" Pan Head Drilling Screw	
P18	P-UNSLDHK	RA-RPSLHR	Handel Rear	
P19	P-UNSLDHK	RA-RPSHLF	Handle Front	
P20	RH-TSSF612	RH-TSSF612	#6 x 1/2" Flat Head Drilling Screw	
P21	A-RPSREC	RA-LPSREC	Guide Rail End Cap	



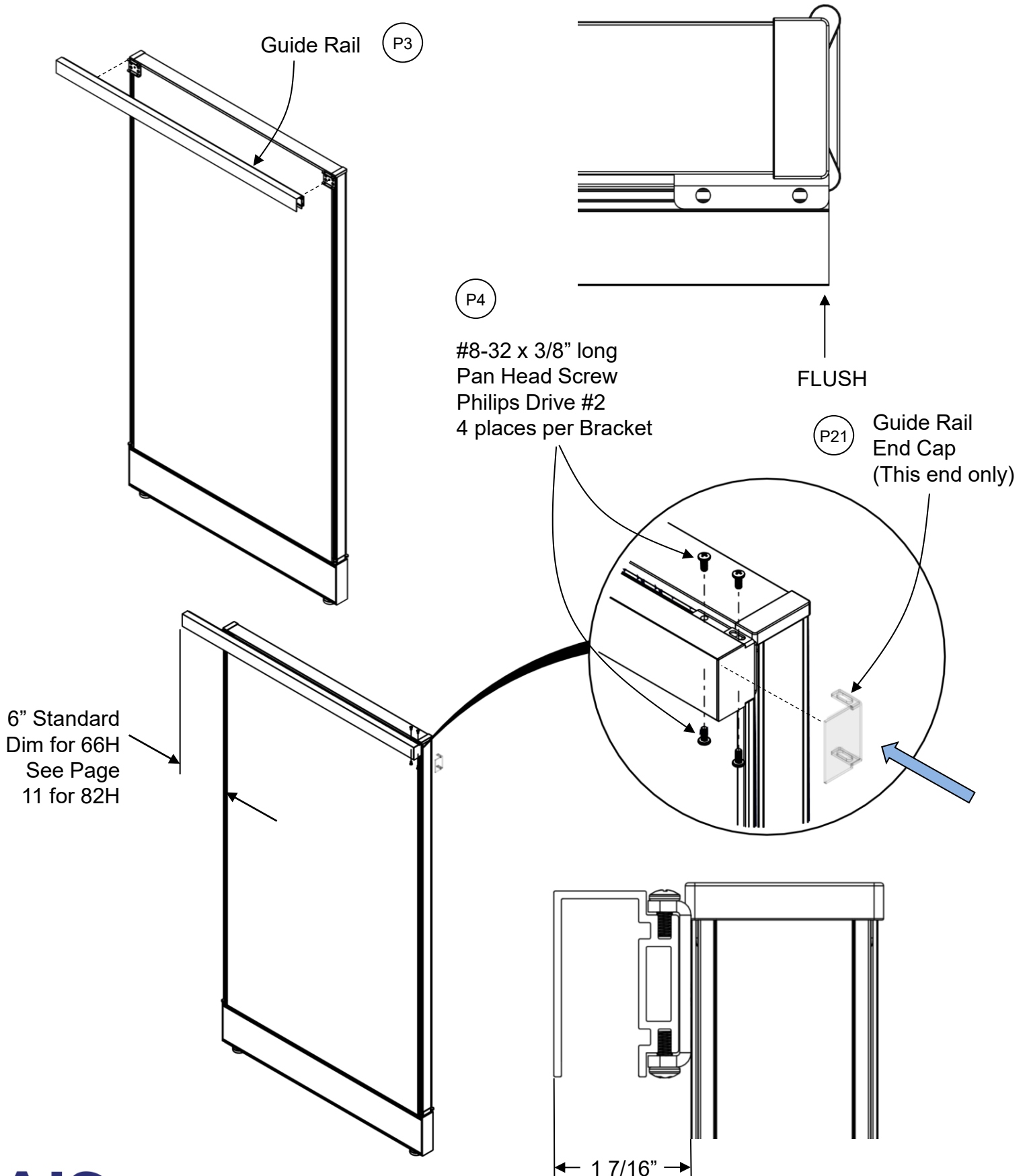
Note: Sliding privacy screens install on the outside of the Divi panel face. A 66H right-hand installation is shown in these instructions.

Step 1: Install the top brackets on each end of the Divi panel using #10-24 x 5/8" flat head screws.

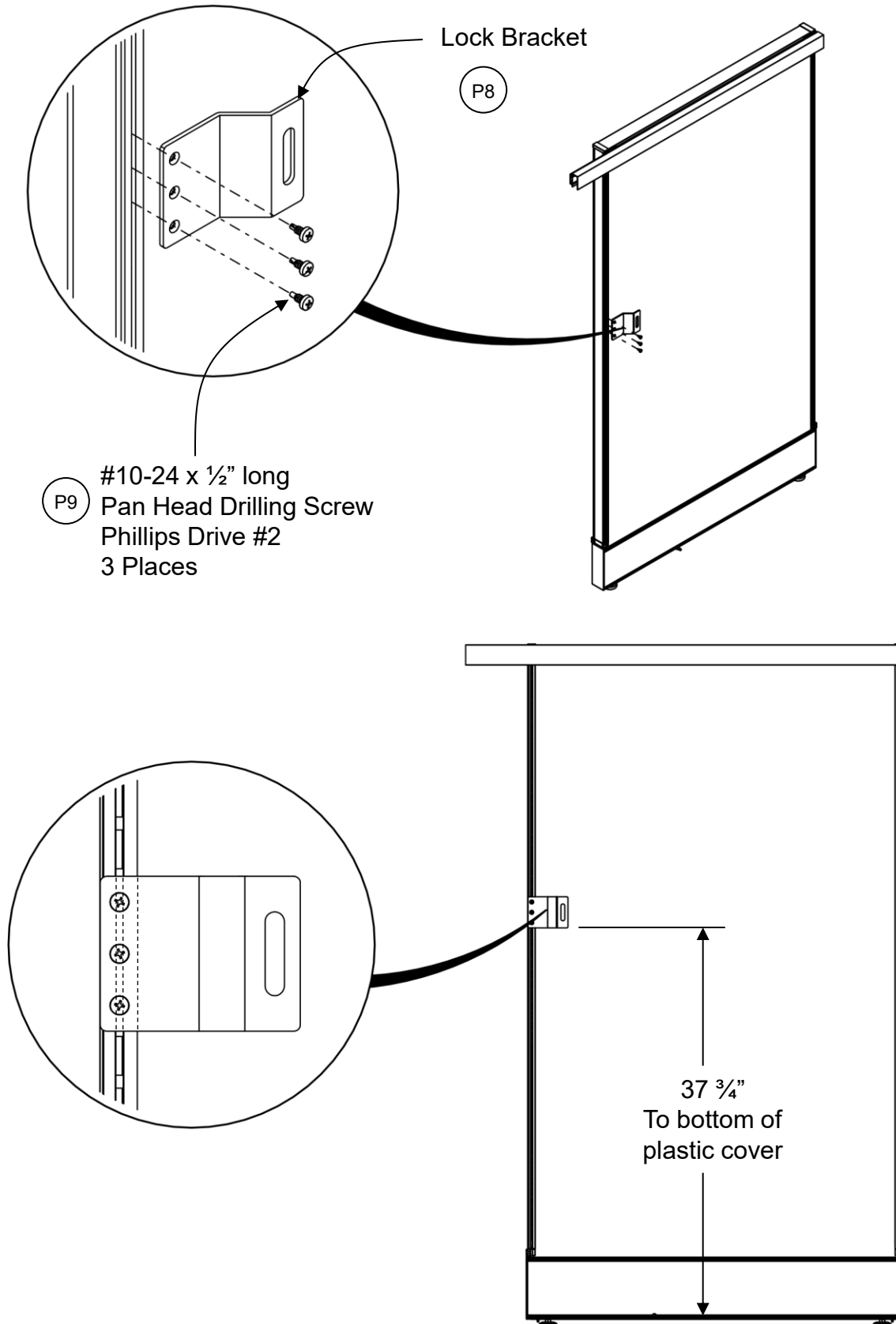
- If installing a right-hand screen, install brackets on the right side of the opening (shown).
- If installing a left-hand screen, install brackets on the left side of the opening.



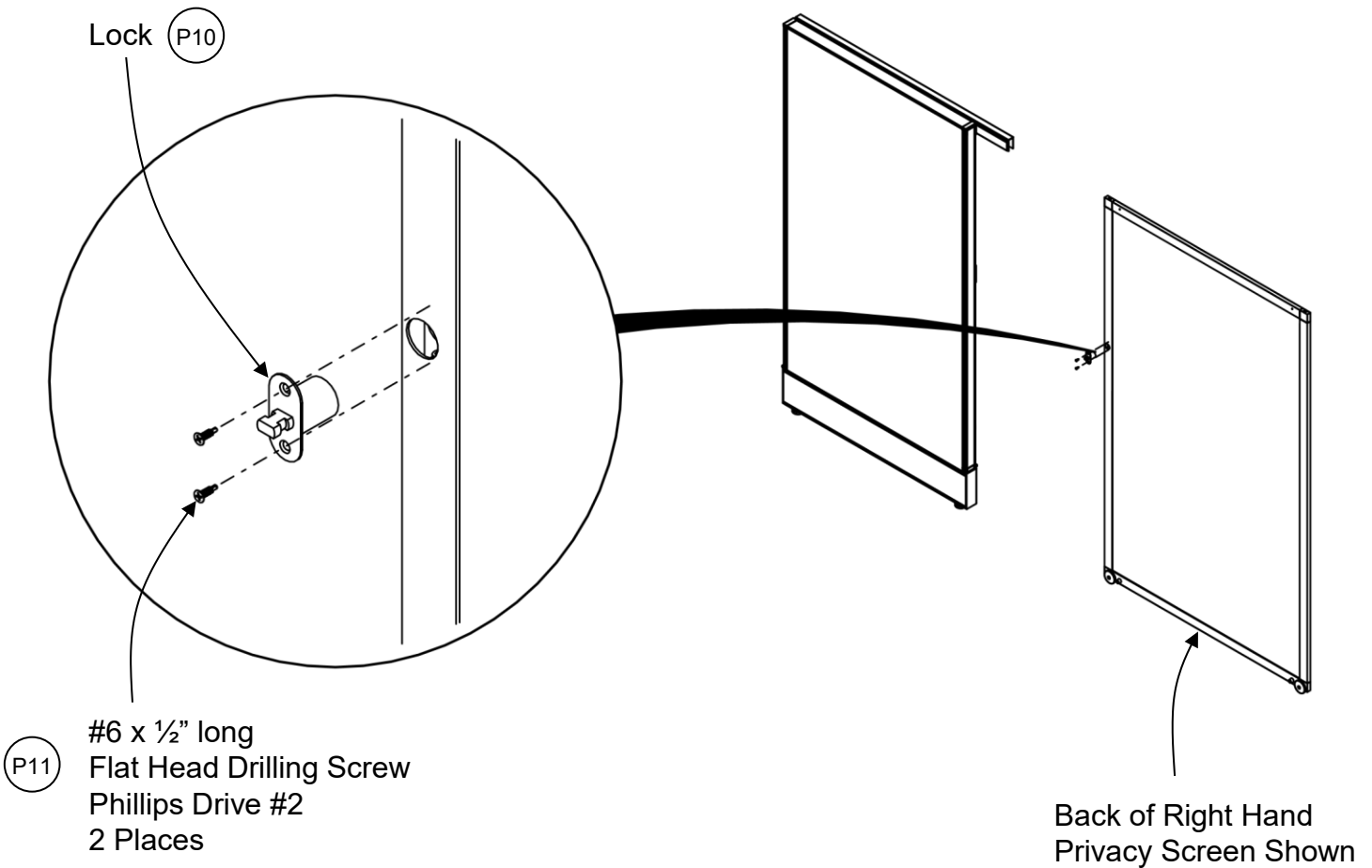
Step 2: Install the guide rail and guide rail end cap to the top brackets using #8-32 x 3/8" pan head screws



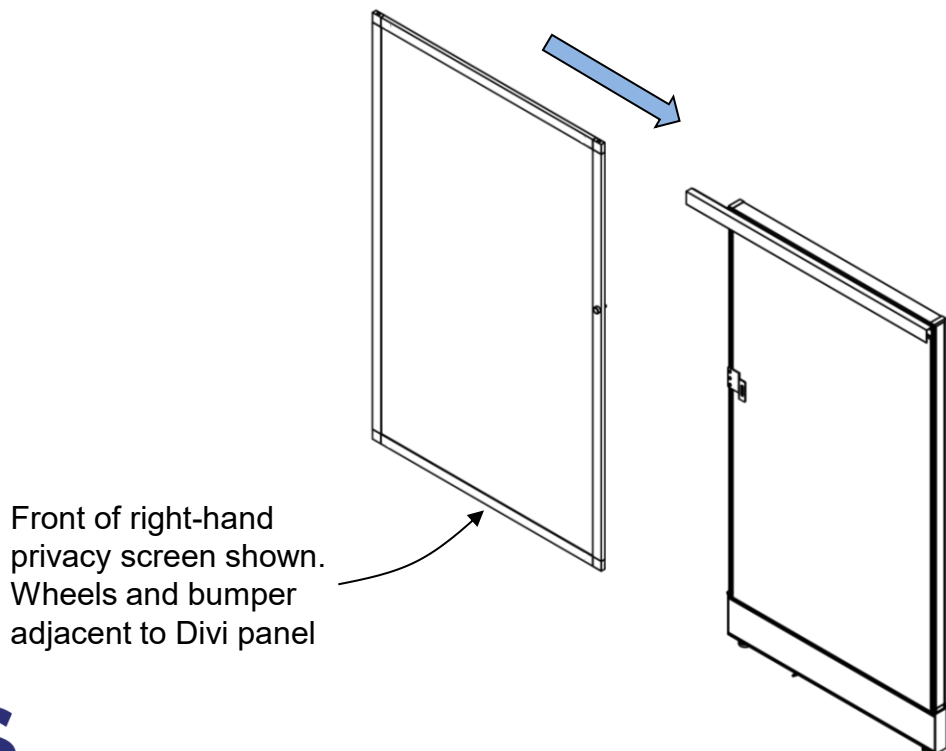
Step 3 (for doors with locks only): Install the lock bracket to the Divi panel using #10-24 x 1/2" screws.



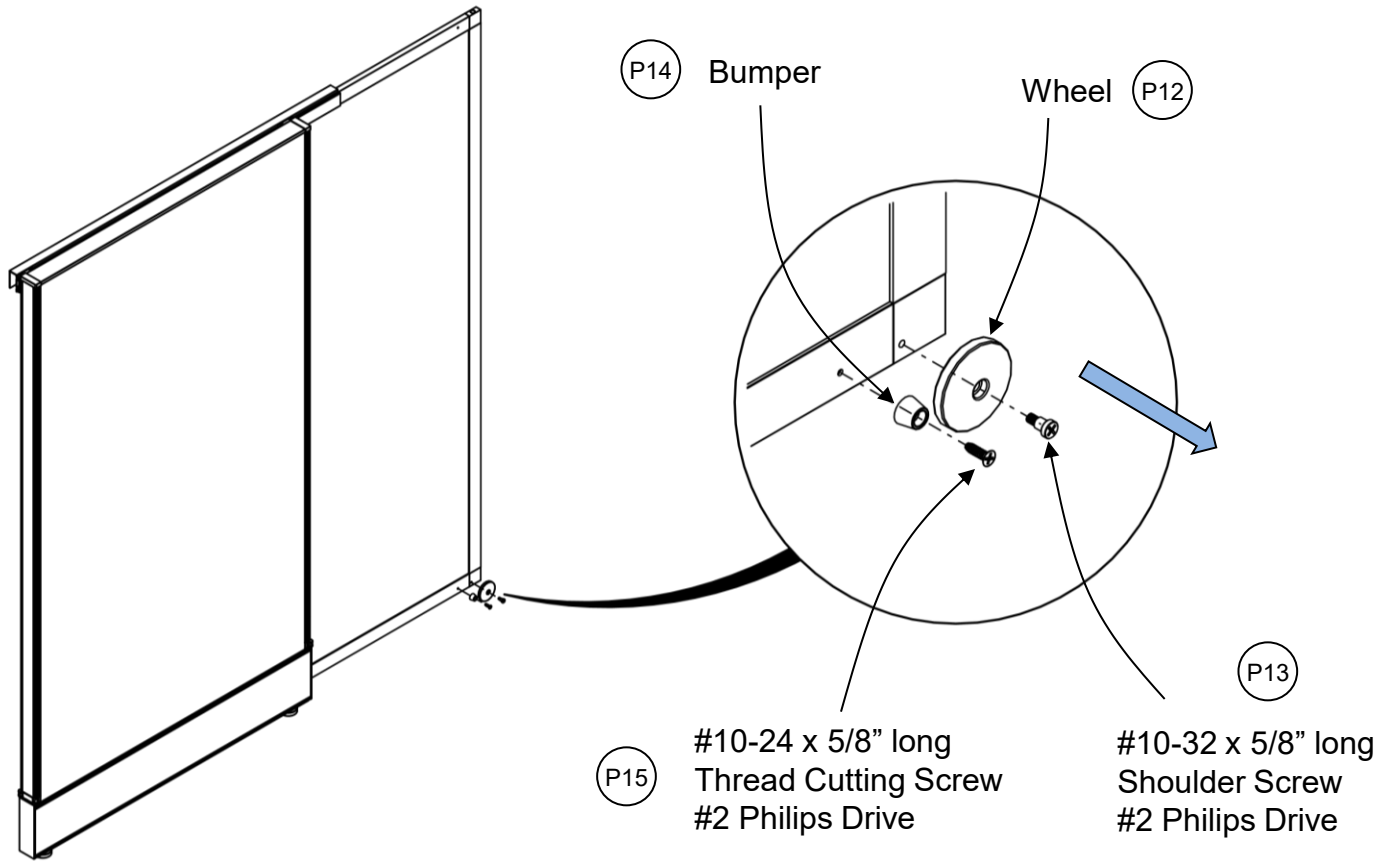
Step 4 (for screens with locks only): Install the lock to the back of the sliding door using #6 x 1/2" screw.



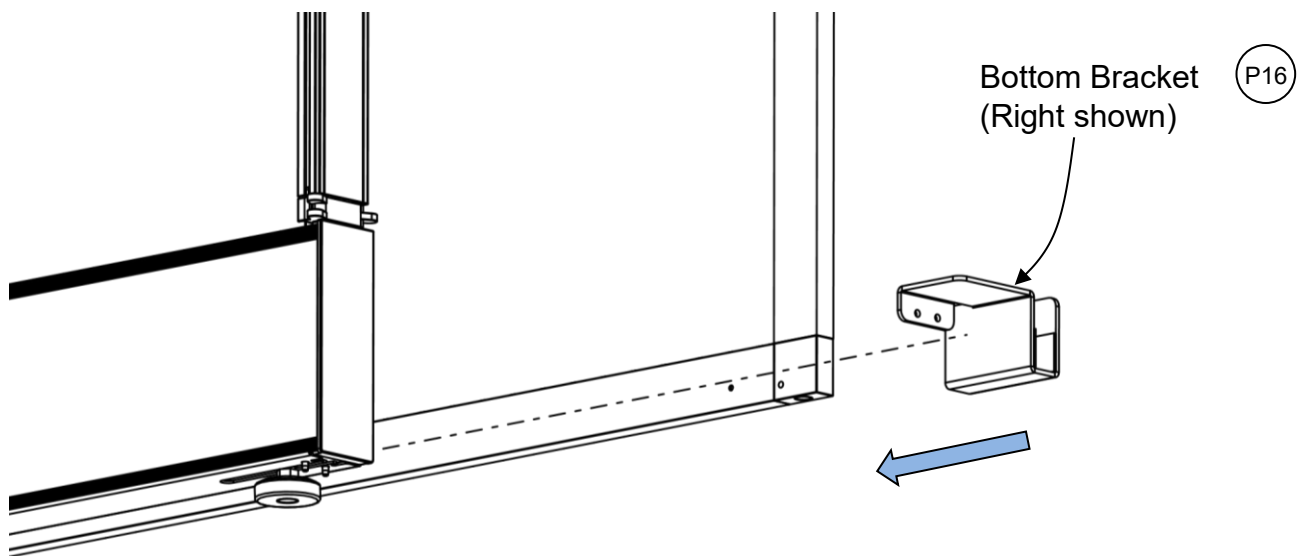
Step 5: Slide the Divi privacy screen into the guide rail.



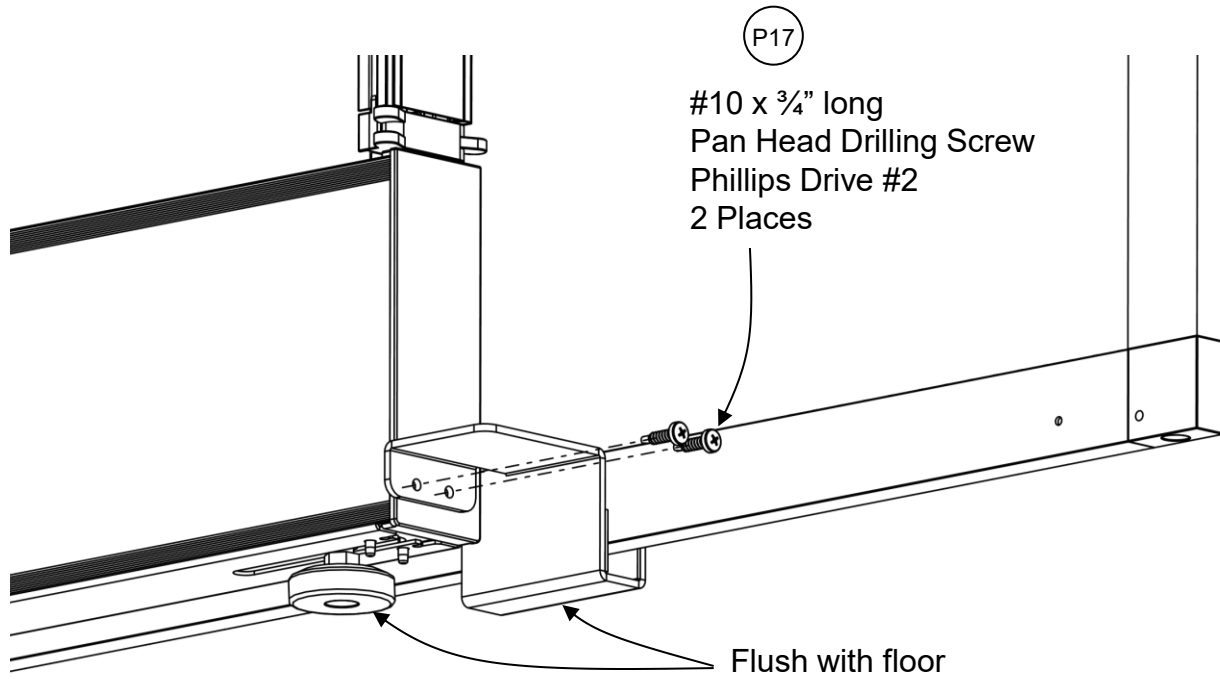
Step 6: Temporarily remove the rear wheel and bumper.



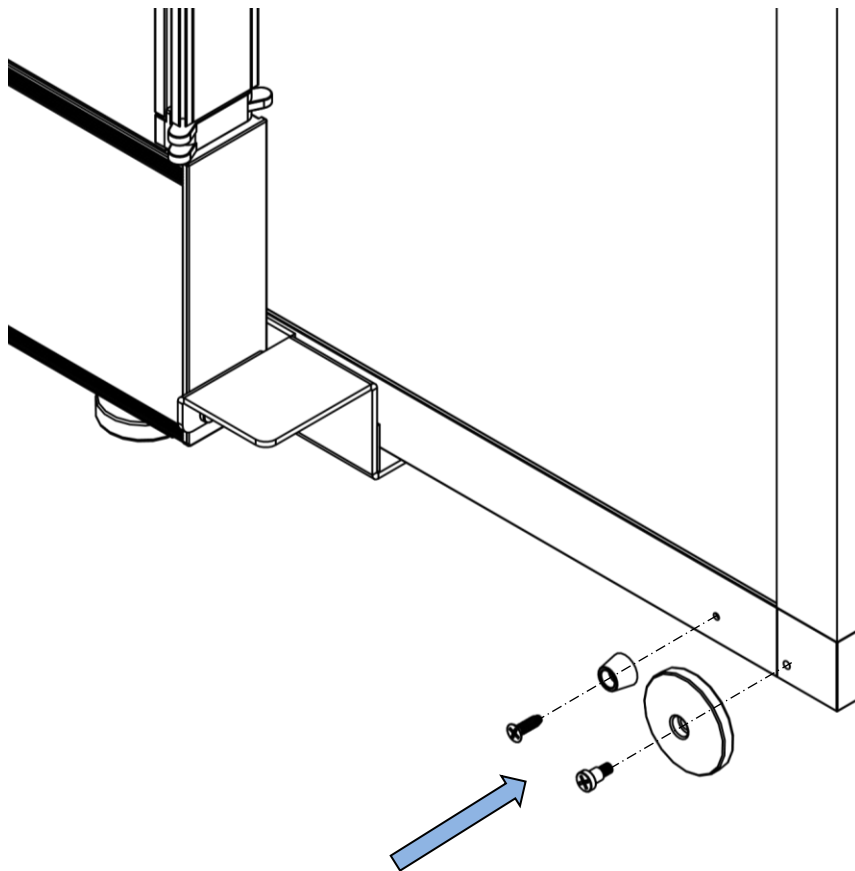
Step 7: Install the bottom bracket under the privacy screen.



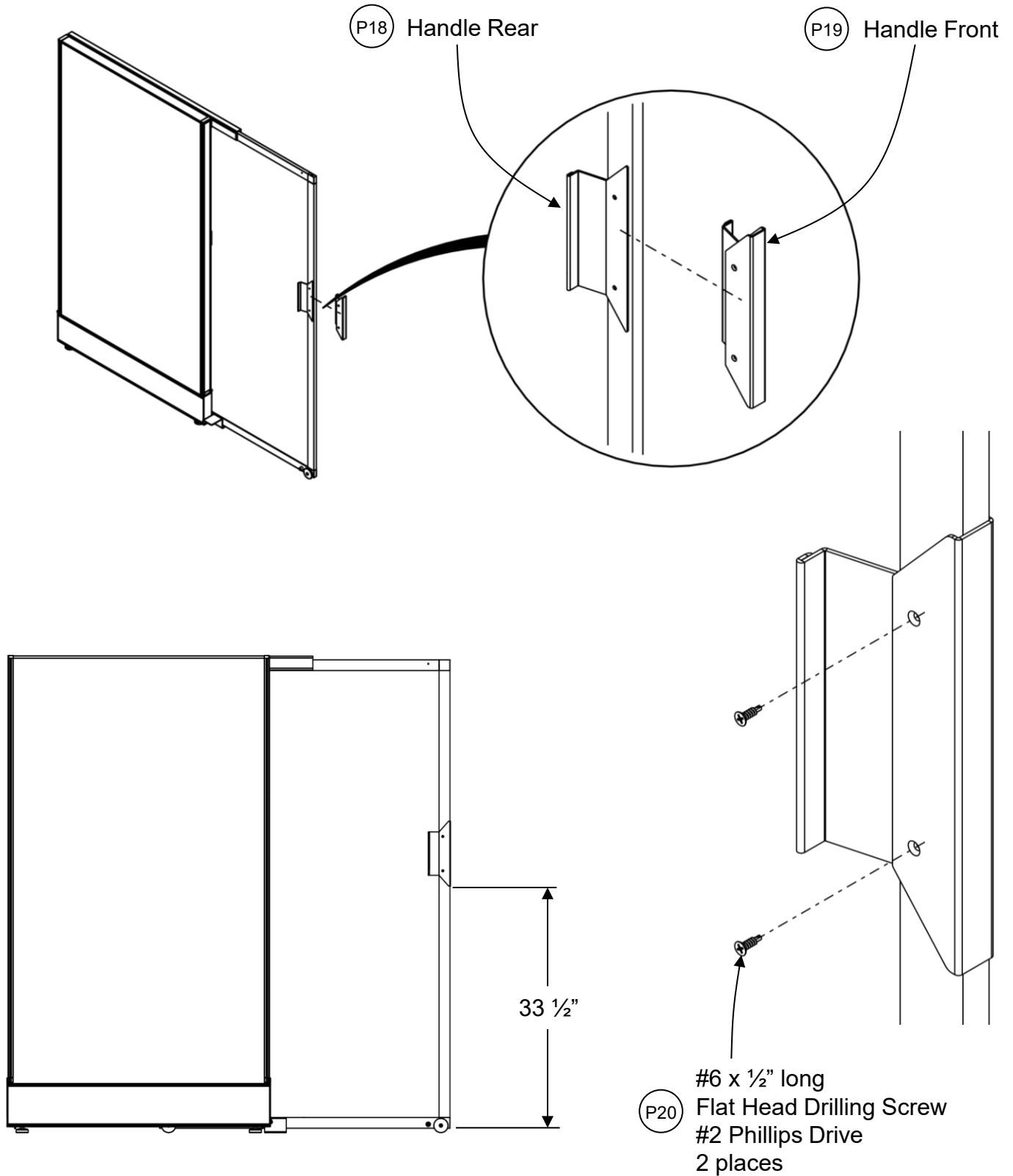
Step 8: Secure the bottom bracket to the Divi panel using #10 x 3/4" screws.



Step 9: Re-install the wheel and bumper.



Step 10 (handles only): Install handle to privacy screen as shown using #6 x 1/2" long screws.



Step 11 (for 82H door only): Secure the extended guide rail using the top wall bracket.

Option 1

Extended guide rails install to Divi frame as shown in step 2

P3 82H Extended Guide Rail

#8-32 x 3/8" long Pan Head Screw Philips Drive #2
4 places

P4

Top Wall Bracket

P5

#10 x 1" long Pan Head Drilling Screw Philips Drive #2
2 places locate as shown

P6

#8-32 x 3/8" long Pan Head Screw Philips Drive #2
4 places

P4

Option 2

Extended guide rails install to Divi frame as shown in step 2

P3 82H Extended Guide Rail

Top Wall Bracket

P5

#8 x 1/2" long Pan Head Drilling Screw Philips Drive #2
2 places locate as shown

P7

Post Filler or Power Pole Required