

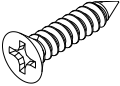
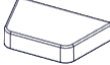
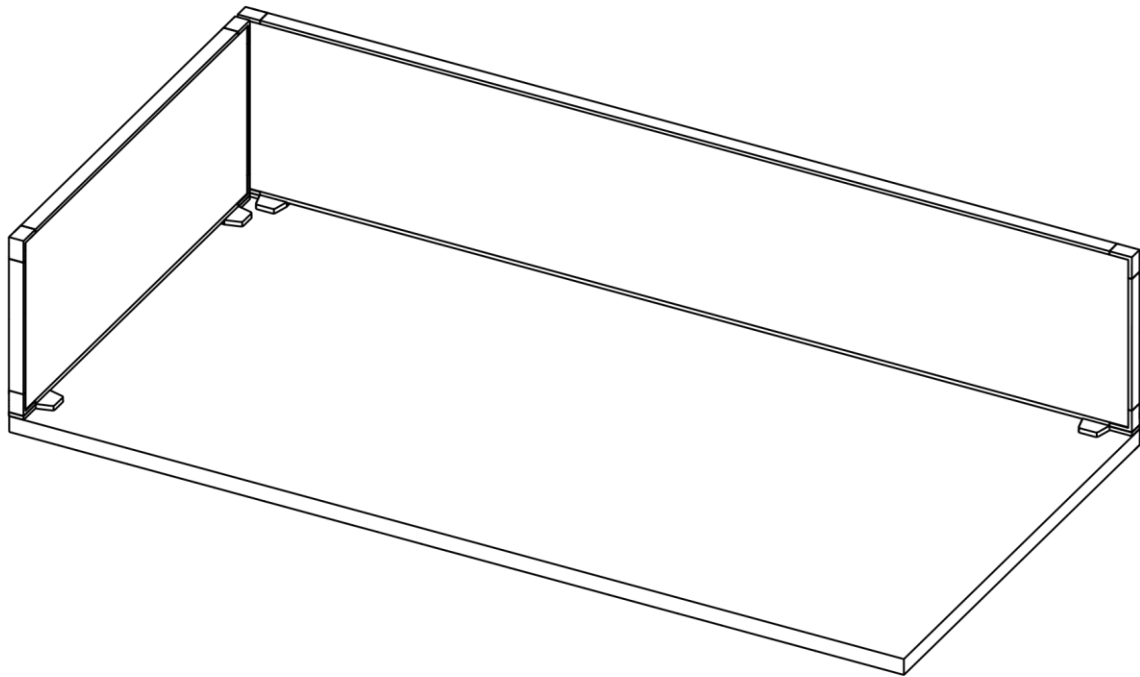


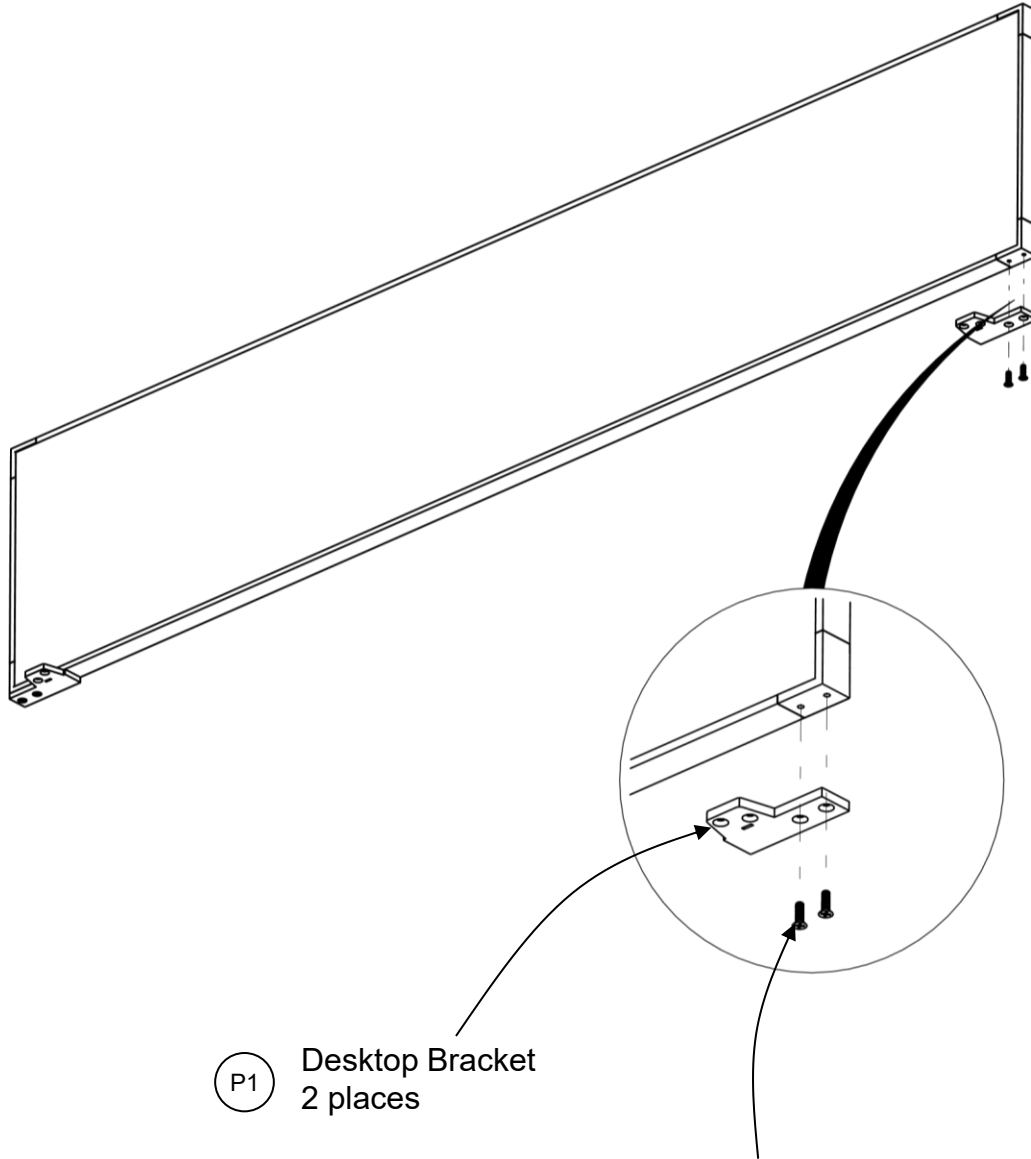
Date	Page No.	Description of change	Name
10/23/2020	1 - 16	Released	S. Powers
04/17/2025	2, 4-7, 9, 11, 16-17	Fix Part Numbers and Typos	P. Day
12/22/2025	16	Changed the number of places on P2	P. Day

Table of Contents	
Page No.	Screen Installation
2 - 5	Surface Mount Slimline Screens
6 - 10	Under Surface Mount Front/Rear and Territory (Aloft, DTD, Calibrate HAT, Nominal worksurfaces)
11 - 14	Oxygen Territory
15 - 16	Universal Spine Beam (Aloft, Oxygen, D2D PowerBeam)
17 - 18	Freestanding

Item	Replacement Part number	Circle Sheet Part Number	Description	Image
P1	O-SLSDB	OX-SLSDB	Desktop Bracket	
P2	RP-MSZFP103258F	RP-MSZFP103258F	Flat Head Machine Screw #10-32 x 5/8" long	
P3	RH-QS0978	RH-QS0978	Flat Head Wood Screw #9 x 7/8" Long	
P4	O-SLSDBC	OX-SLSDBC	Desktop Bracket Cap	



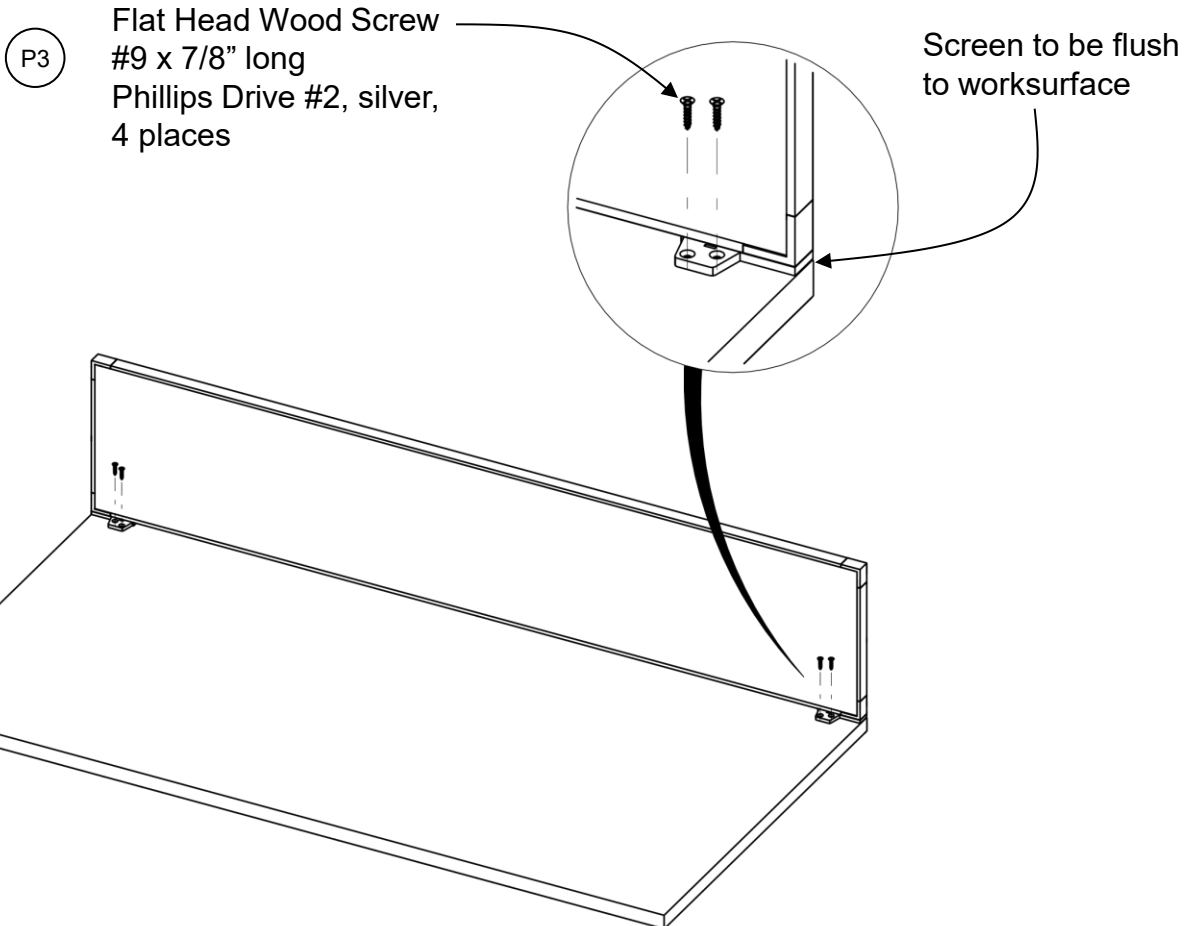
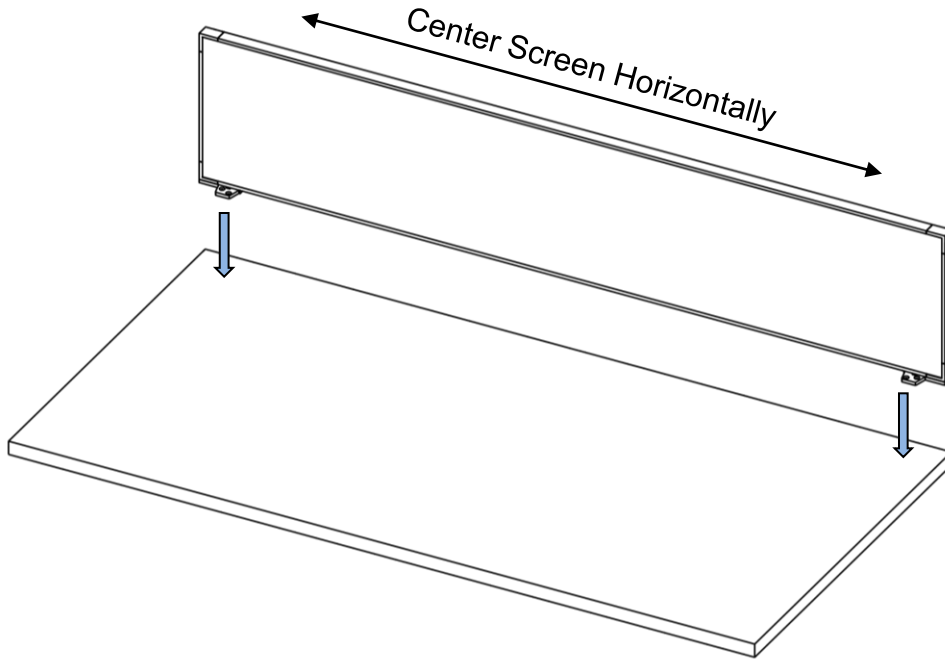
Step 1: Assemble desktop brackets to screen.



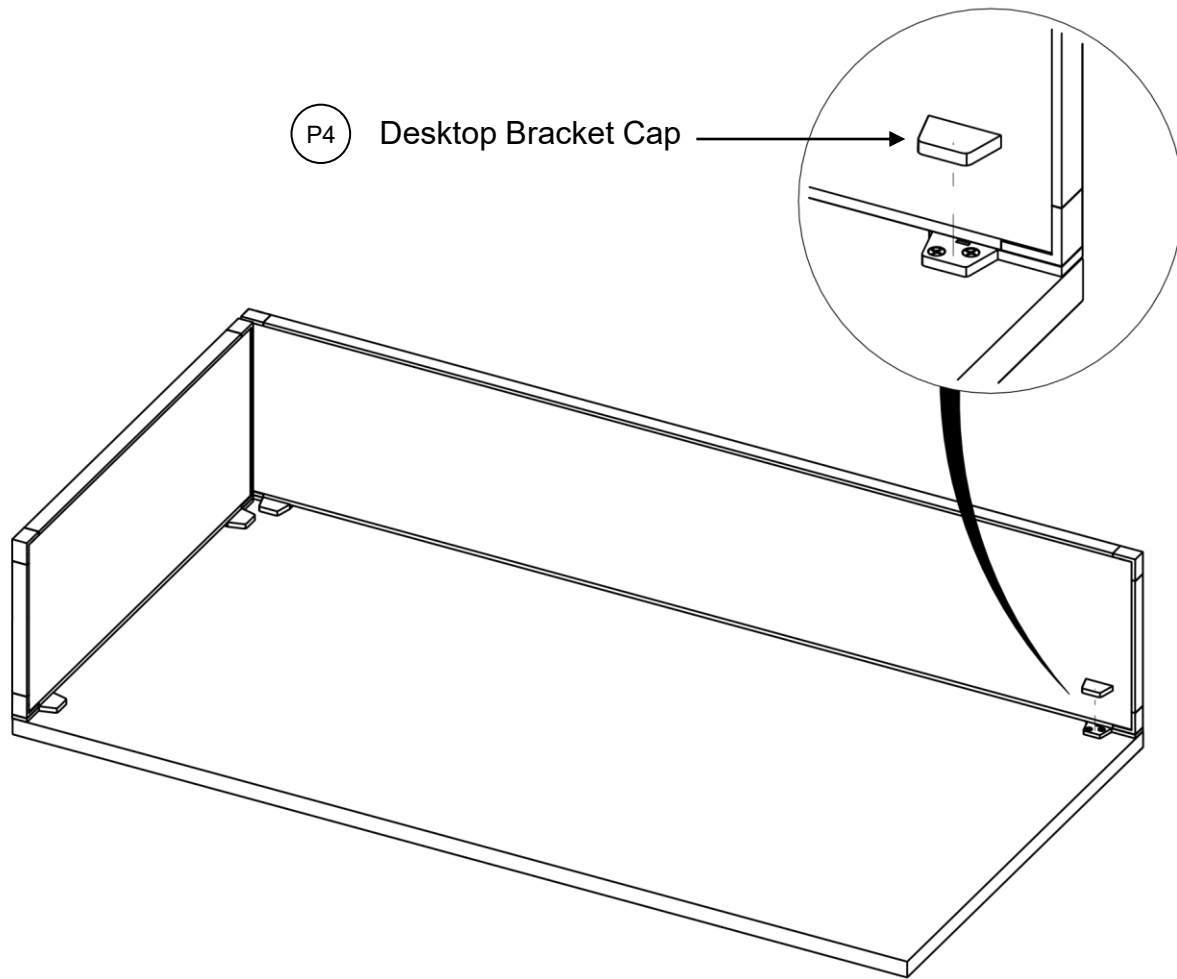
P1 Desktop Bracket
2 places

P2 #10-32 x 5/8" long
Flat Head Machine Screw
4 Places

Step 2: Position screen and secure to worksurface.

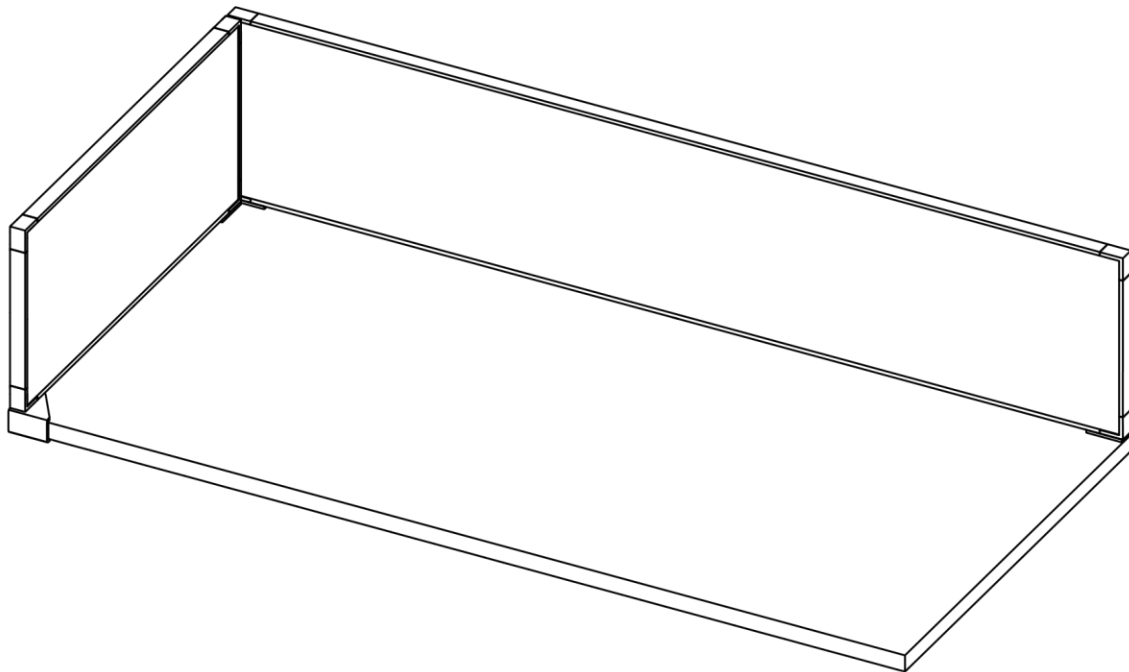


Step 3: Install desktop bracket caps.



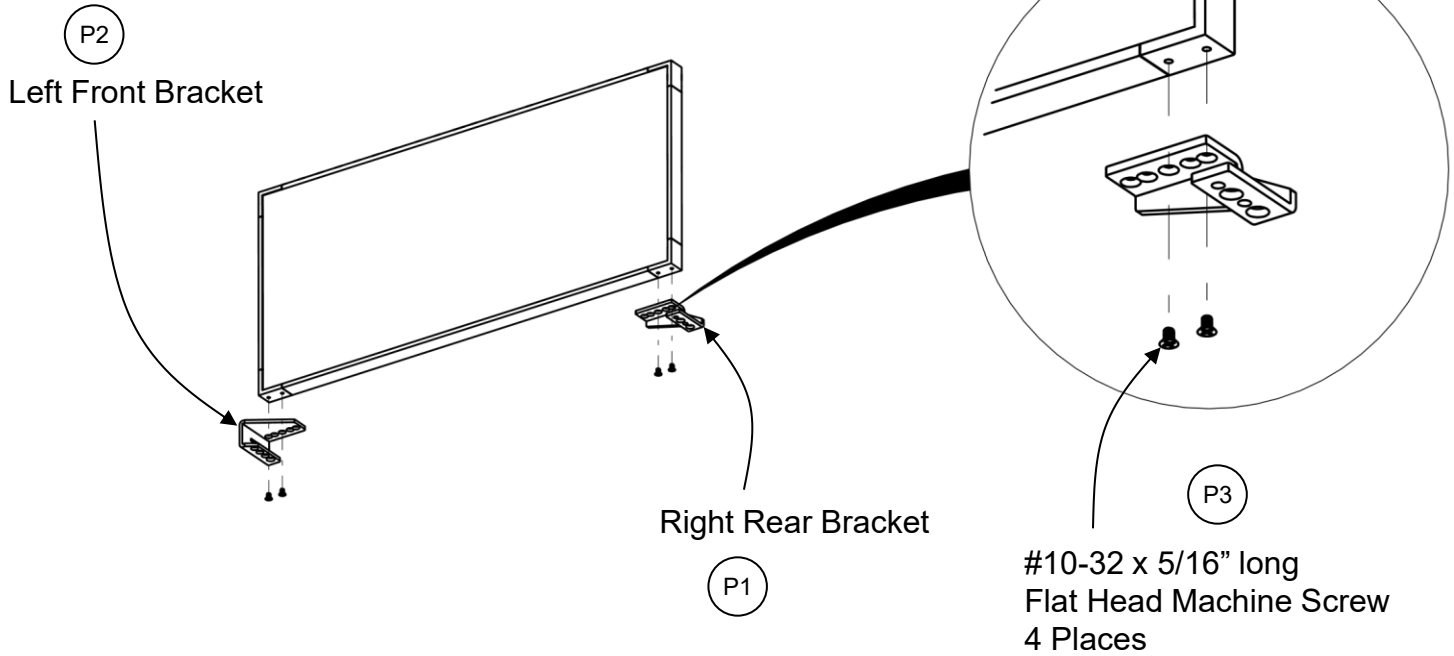
Slimline Screens – Under Surface Mount Front/Rear and Territory (Aloft, DTD, Calibrate HAT, Nominal worksurfaces)

Item	Replacement Part number	Circle Sheet Part Number	Description	Image
P1	O-TSRBR (Right) O-TSRBL (Left)	OX-TSRBR (Right) OX-TSRBL (Left)	Handed Rear Bracket Left or Right	
P2	O-SLSFMR (Right) O-SLSFML (Left)	OX-SLSFMR (Right) OX-SLSFML (Left)	Handed Wood Front Bracket Left of Right	
P3	MSZFPU1032516B	MSZFPU1032516B	Flat Head Machine Screw #10-32 x 5/16" long	
P4	RH-QS0978	RH-QS0978	Flat Head Screw #9 x 7/8" Long	

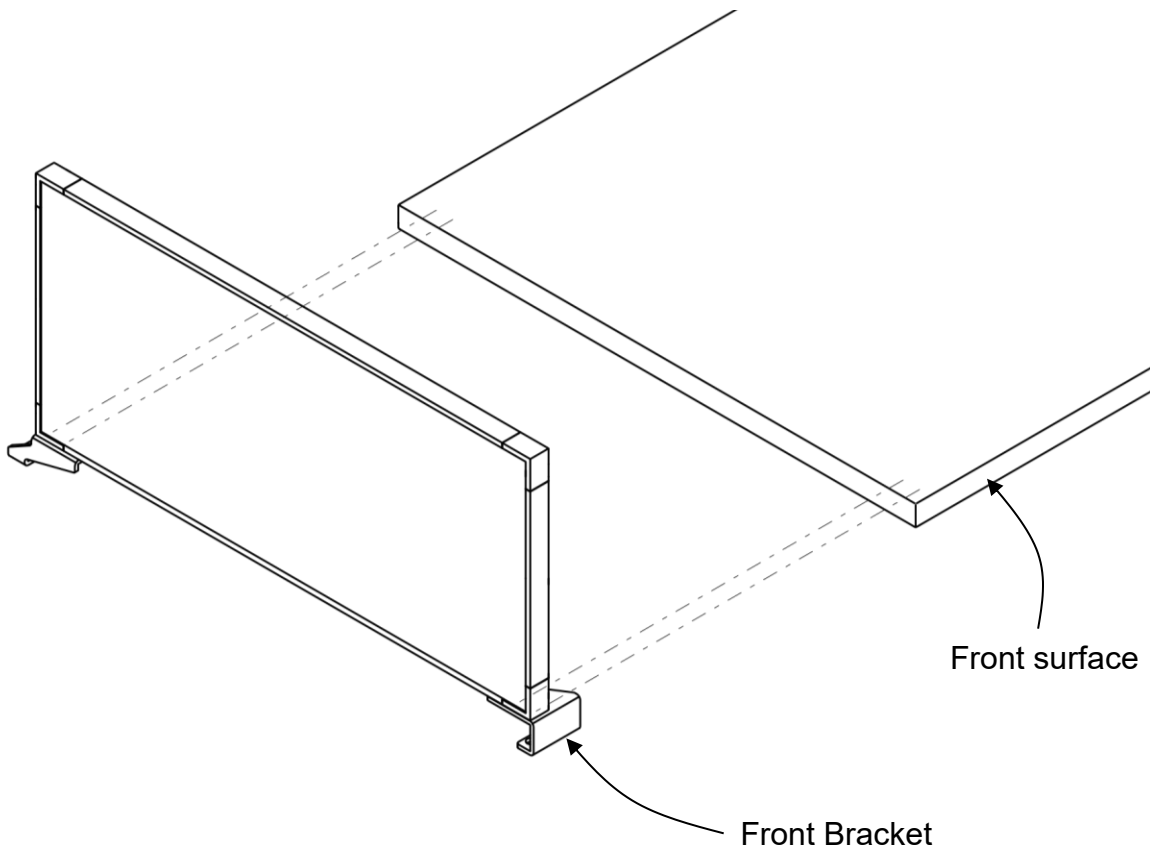


Slimline Screens – Under Surface Mount Territory (left hand shown) (Aloft, DTD, Calibrate HAT, Nominal worksurfaces)

Step 1: Assemble front and rear brackets to screen.

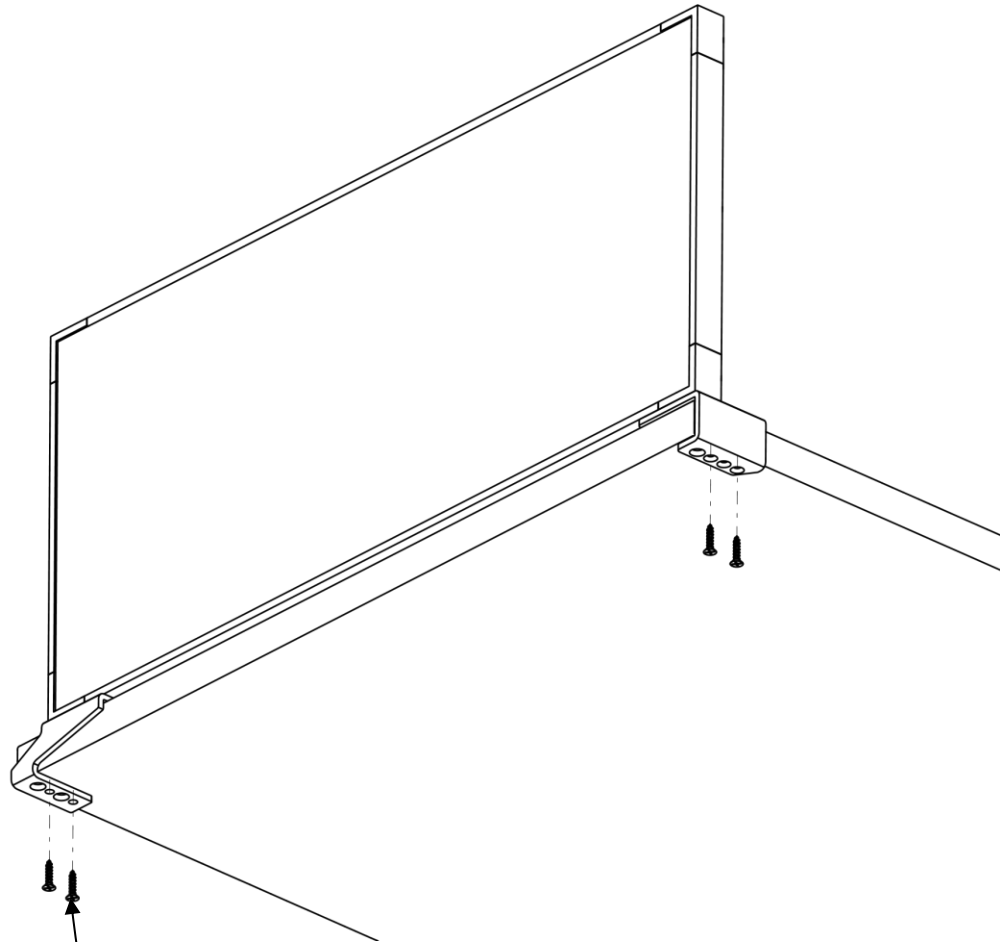


Step 2: Place screen on worksurface.



Slimline Screens – Under Surface Mount Territory (left hand shown) (Aloft, DTD, Calibrate HAT, Nominal worksurfaces)

Step 3: Secure screen to worksurface.

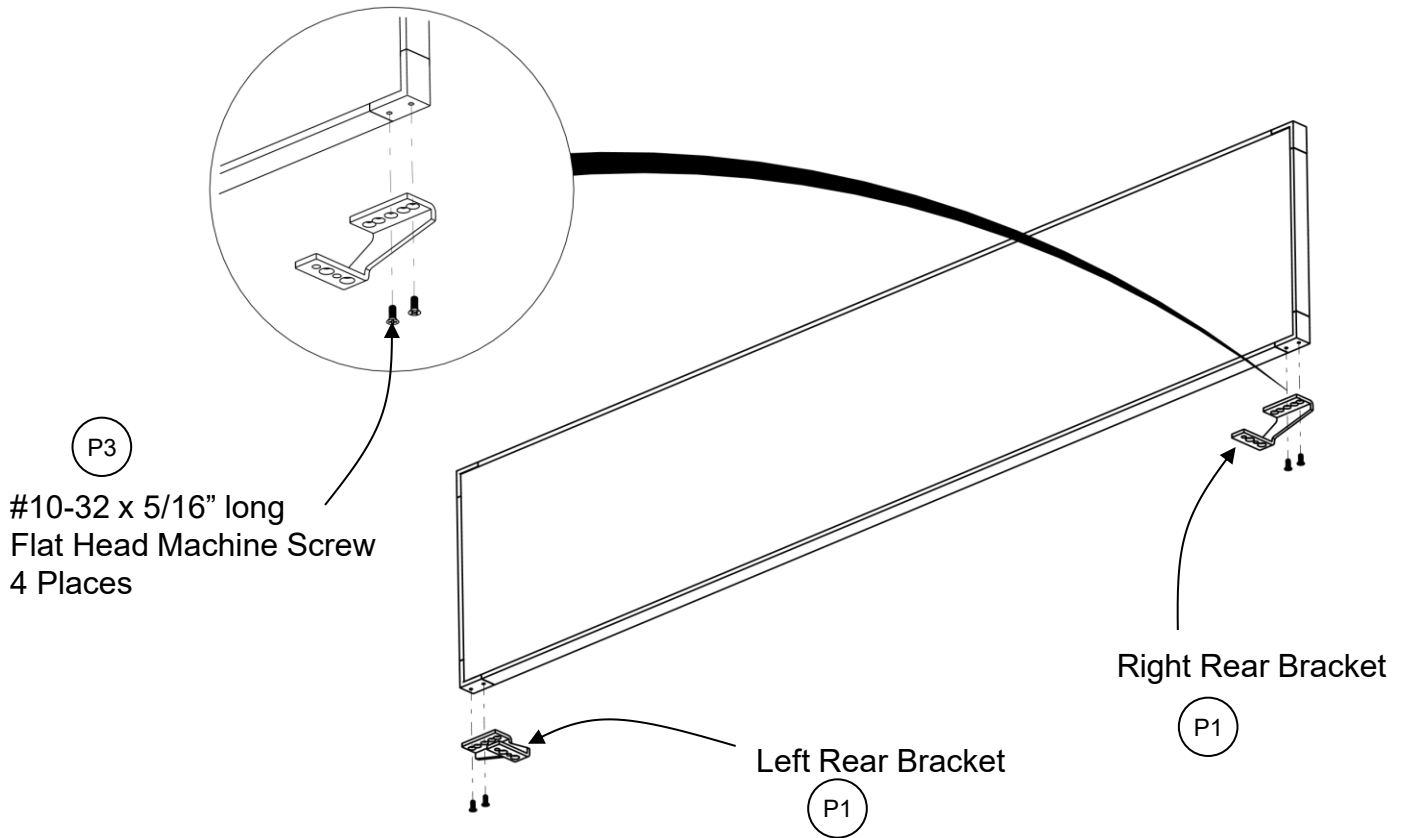


P4

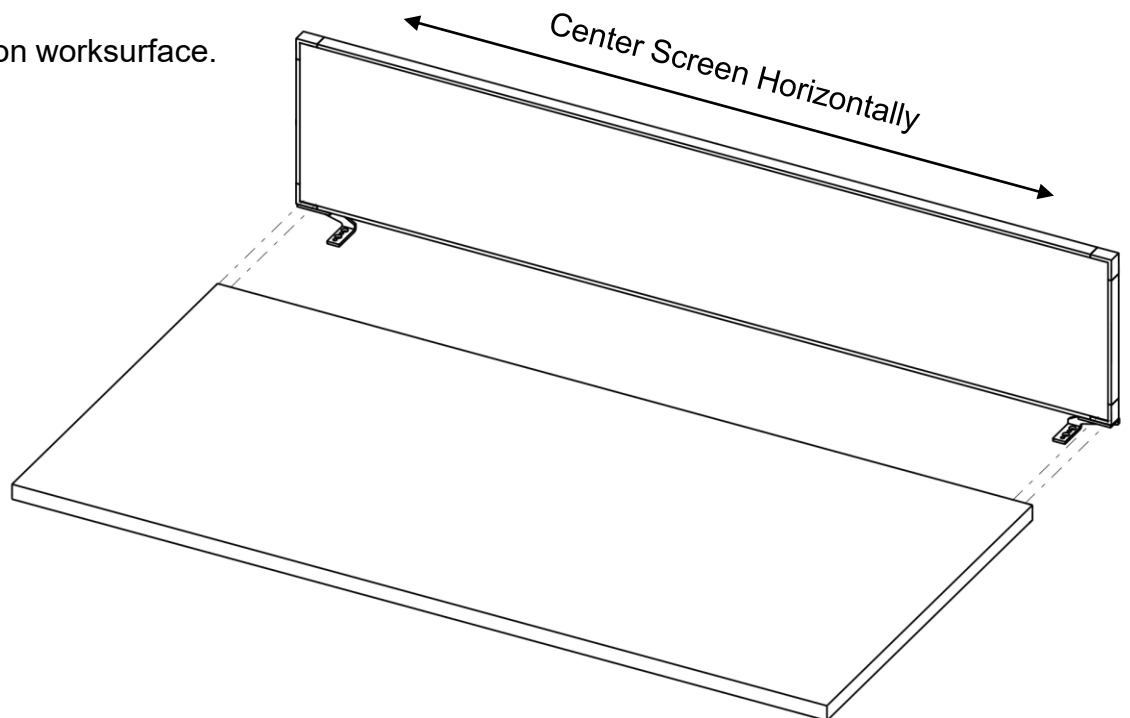
#9 x 7/8" long
Flat Head Wood Screw
Phillips Drive #2, silver,
4 places

Slimline Screens – Under Surface Mount Front/Rear (Aloft, DTD, Calibrate HAT, Nominal worksurfaces)

Step 1: Assemble left and right brackets to screen.

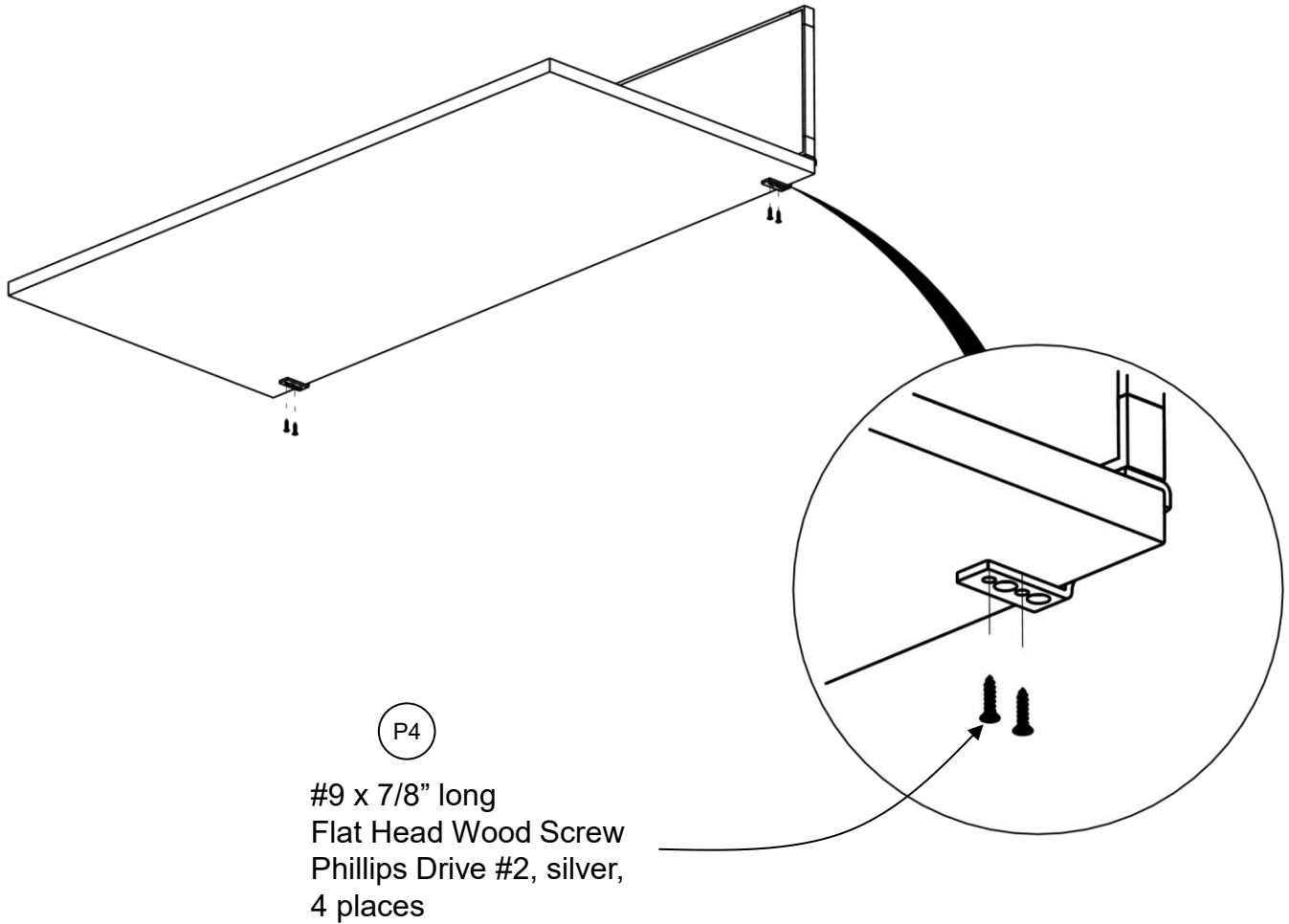


Step 2: Center screen on worksurface.



Slimline Screens – Under Surface Mount Front/Rear (Aloft, DTD, Calibrate HAT, Nominal worksurfaces)

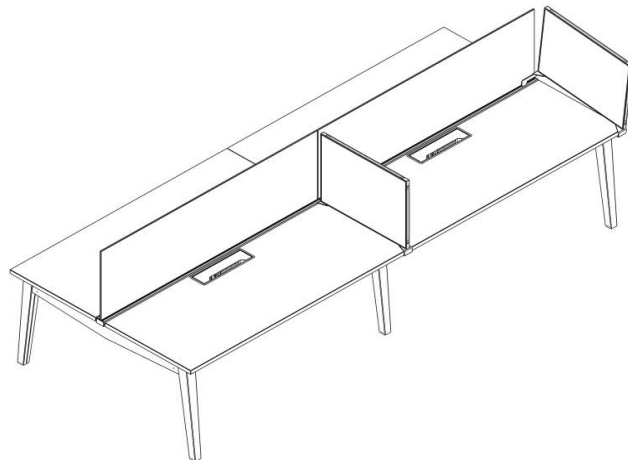
Step 3: Secure screen to worksurface.



Slimline Screens – All Types

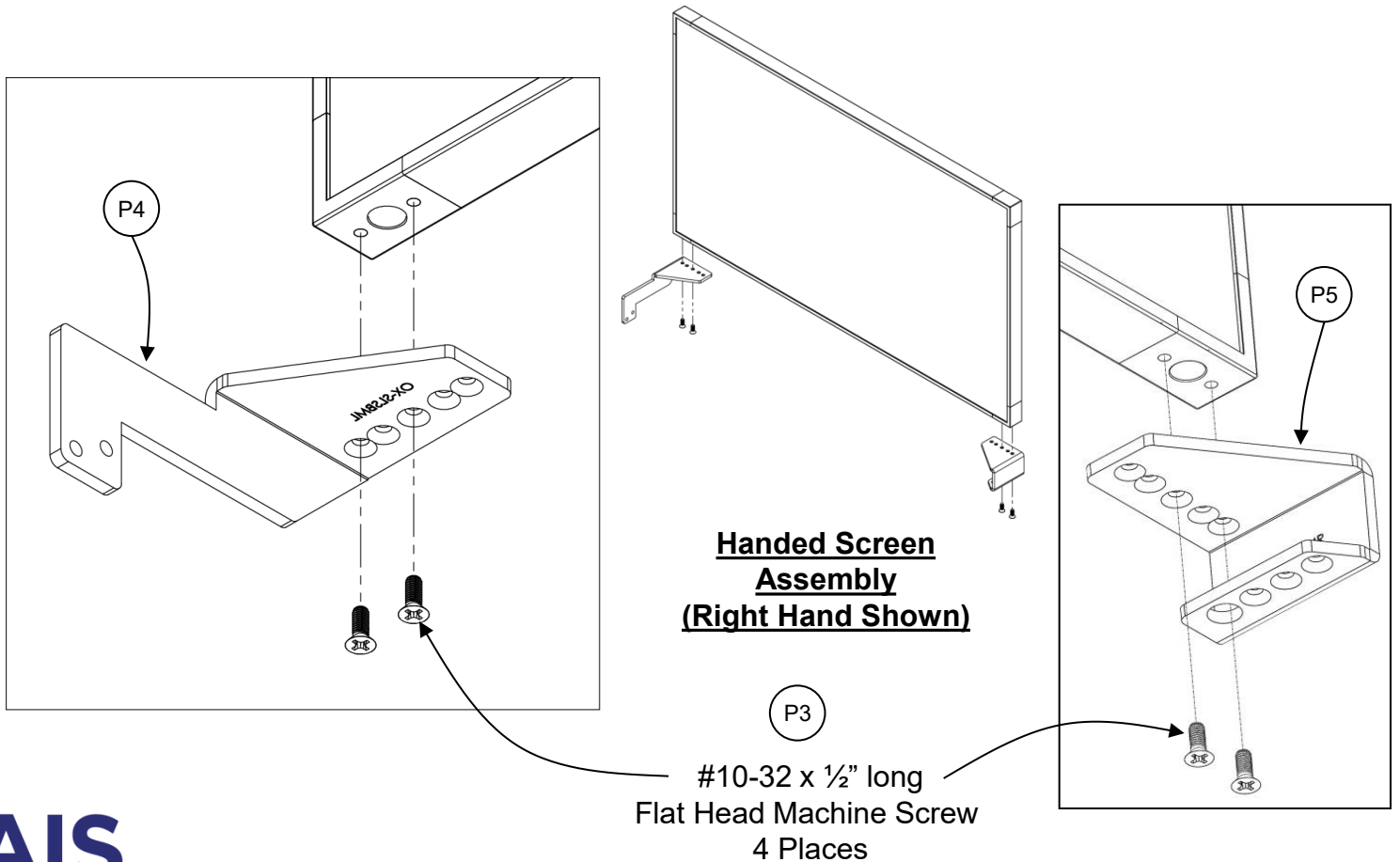
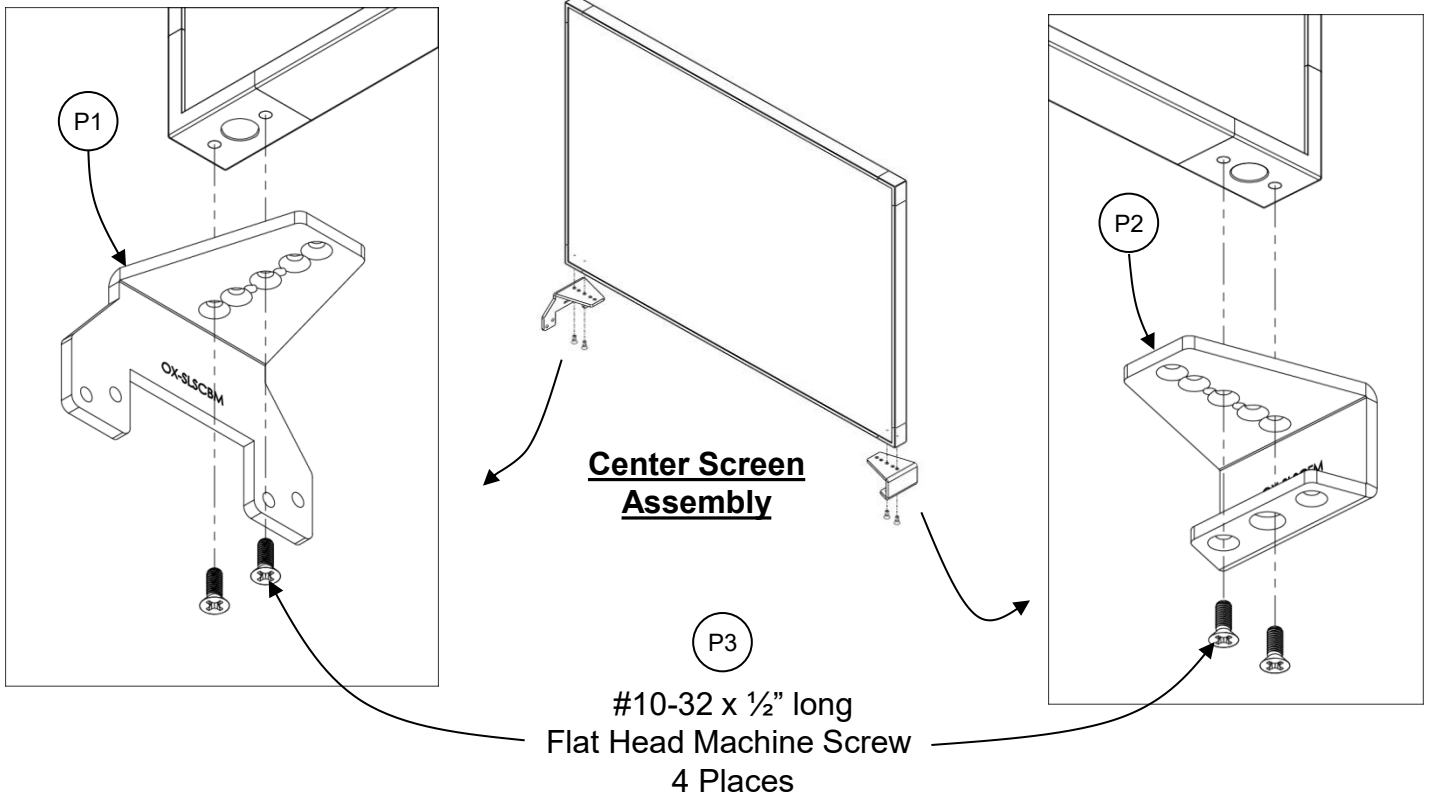
Oxygen Territory Screen

Item	Replacement Part number	Circle Sheet Part Number	Description	Image
P1	O-SLSCBM	OX-SLSCBM	Center Rear Bracket	
P2	O-SLSCFM	OX-SLSCFM	Center Front Bracket	
P3	RH-MSZFP103212	RH-MSZFP103212	Flat Head Machine Screw #10-32 x 1/2" long	
P4	O-SLSBML (Left) O-SLSBMR (Right)	OX-SLSBML (Left) OX-SLSBMR (Right)	Handed Rear Bracket Left or Right	
P5	O-SLSFMR (Right) O-SLSFML (Left)	OX-SLSFMR (Right) OX-SLSFML (Left)	Handed Front Bracket Left of Right	
P6	O-SLSBMB	OX-SLSBMB	Territory Screen Back Mounting Bracket	
P7	RH-SHB1420516BI	RH-SHB1420516BI	Hex Cap Screw 1/4-20 x 5/16" long	
P8	RH-QS0978	RH-QS0978	Flat Head Drilling Screw #9 x 7/8" Long	



Slimline Screens – All Types

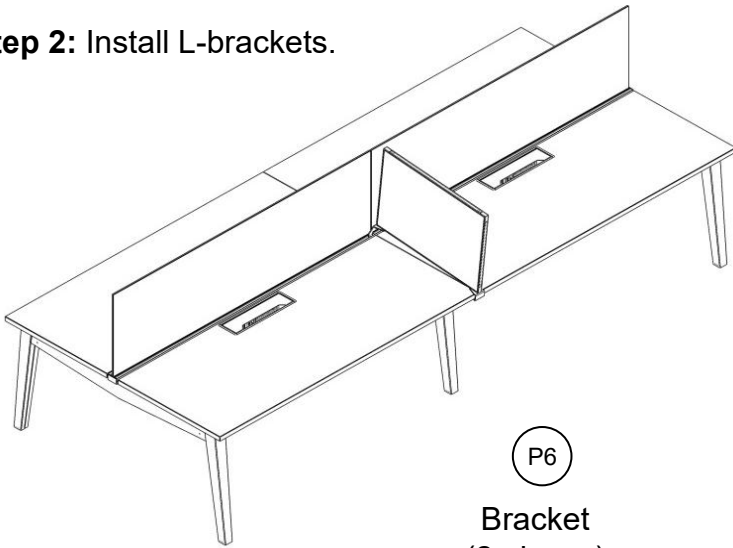
Step 1: Assemble Screens to mounting brackets.



Slimline Screens – All Types

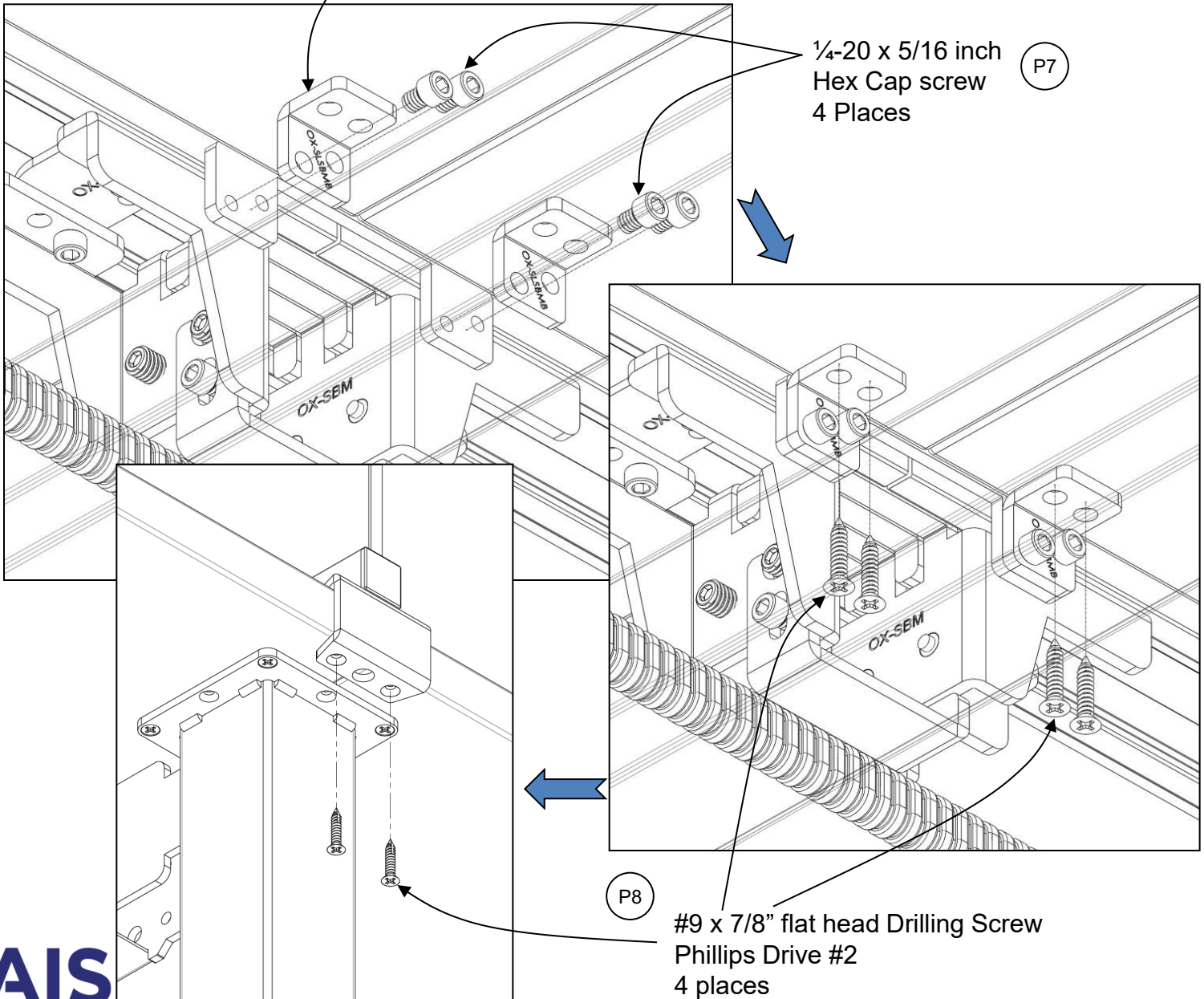
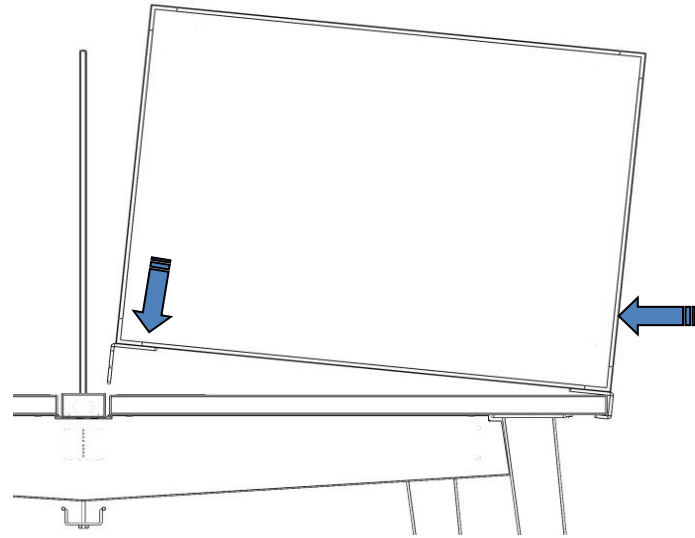
Oxygen Center Territory

Step 2: Install L-brackets.



P6

Bracket
(2 places)



1/4-20 x 5/16 inch
Hex Cap screw
4 Places

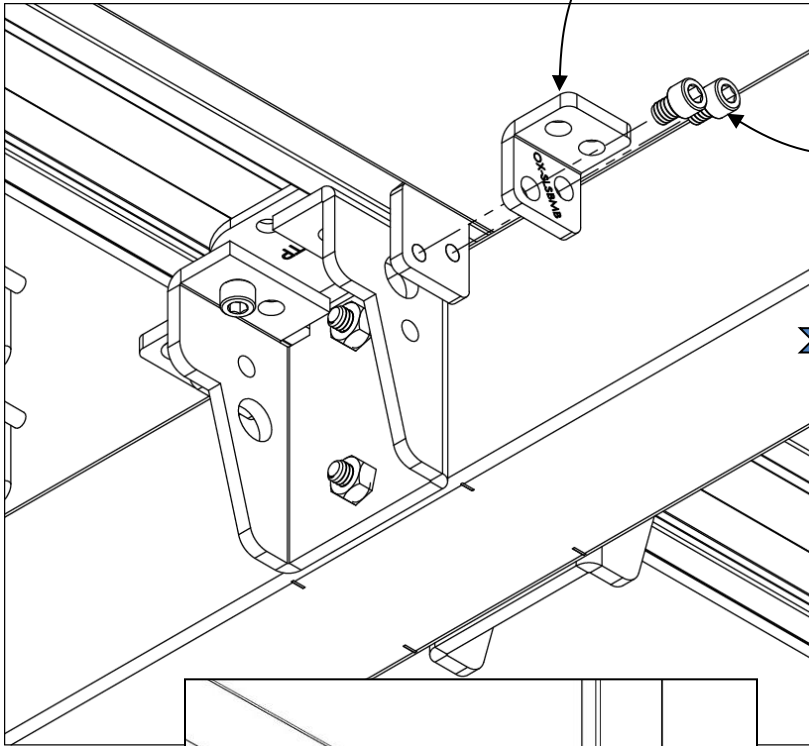
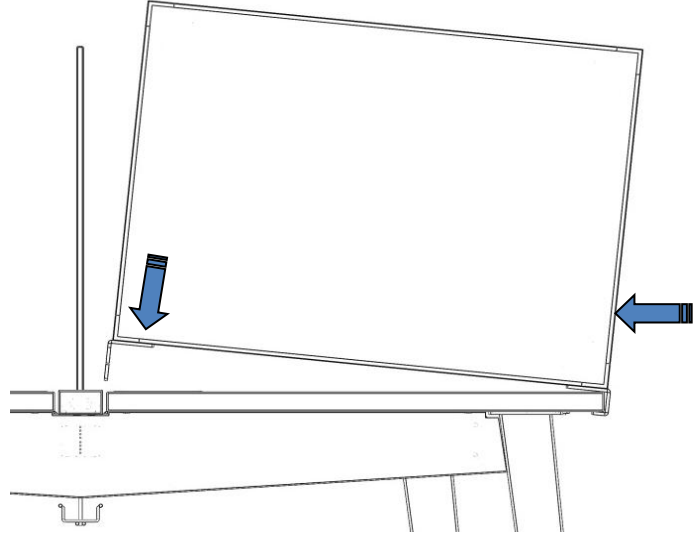
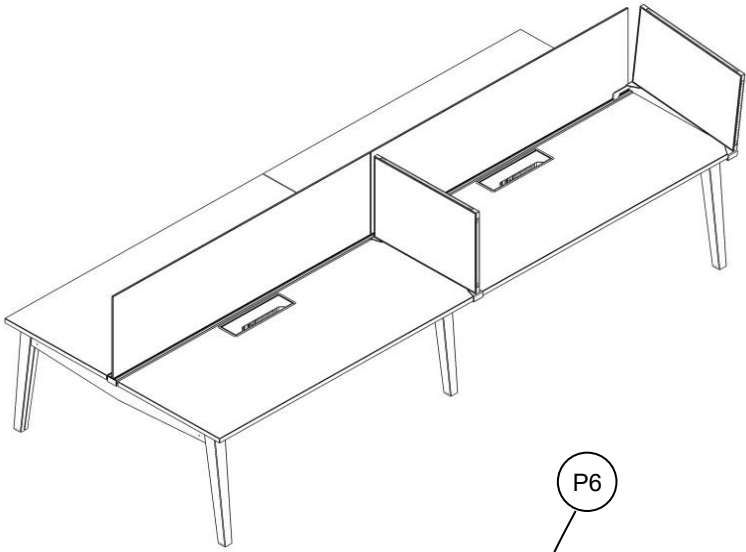
P7

P8

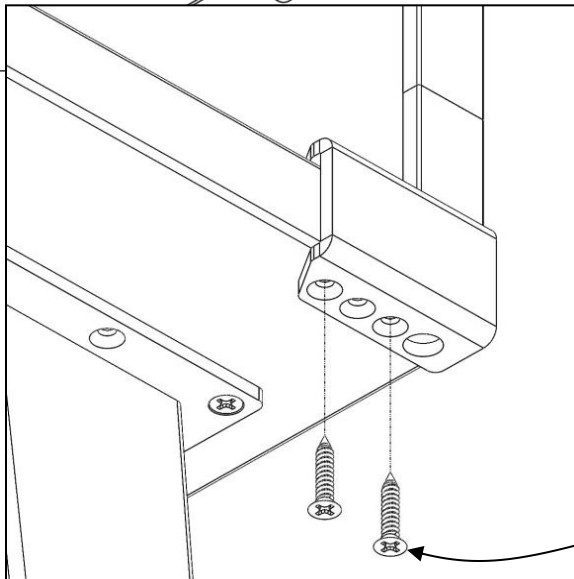
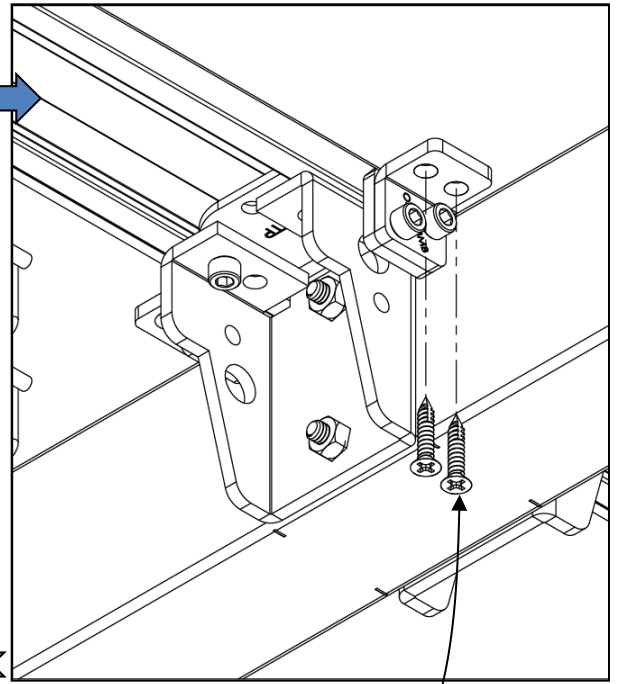
#9 x 7/8" flat head Drilling Screw
Phillips Drive #2
4 places

Slimline Screens – All Types

Oxygen Left or Right Territory




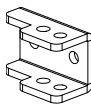
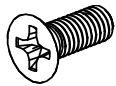

1/4-20 x 5/16 inch
Hex Cap Screw
2 Places



#9 x 7/8" flat head
Drilling Screw
Phillips Drive #2
4 places

Slimline Screens – All Types

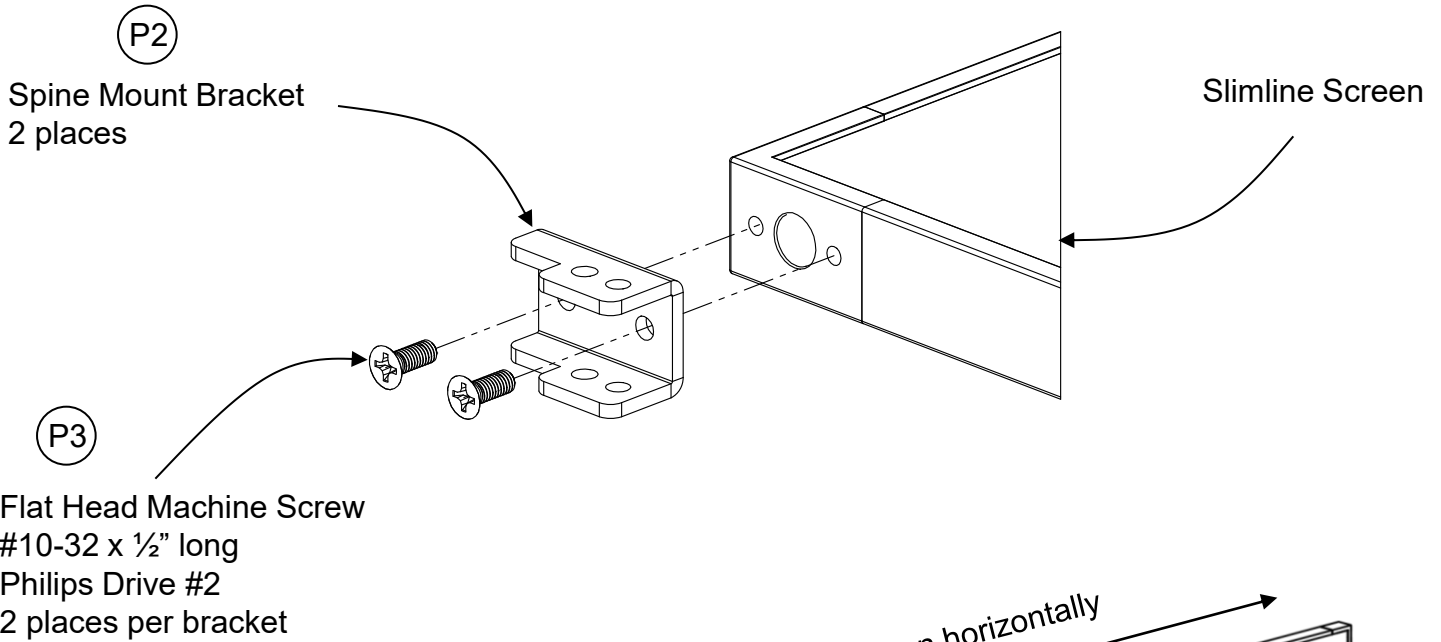
Universal Spine Beam
(Aloft, Oxygen, D2D PowerBeam)

Item	Replacement Part number	Circle Sheet Part Number	Description	Image
P1			Spine Beam	
P2	O-SLSSM2	OX-SLSSM2	Spine Screen Mount Bracket	
P3	RH-MSZFP103212	RH-MSZFP103212	Flat Head Machine Screw #10-32 x 1/2" long	
P4	RH-SHSS142814	RH-SHSS142814	Set Screw 1/4-28 x 1/4" long	

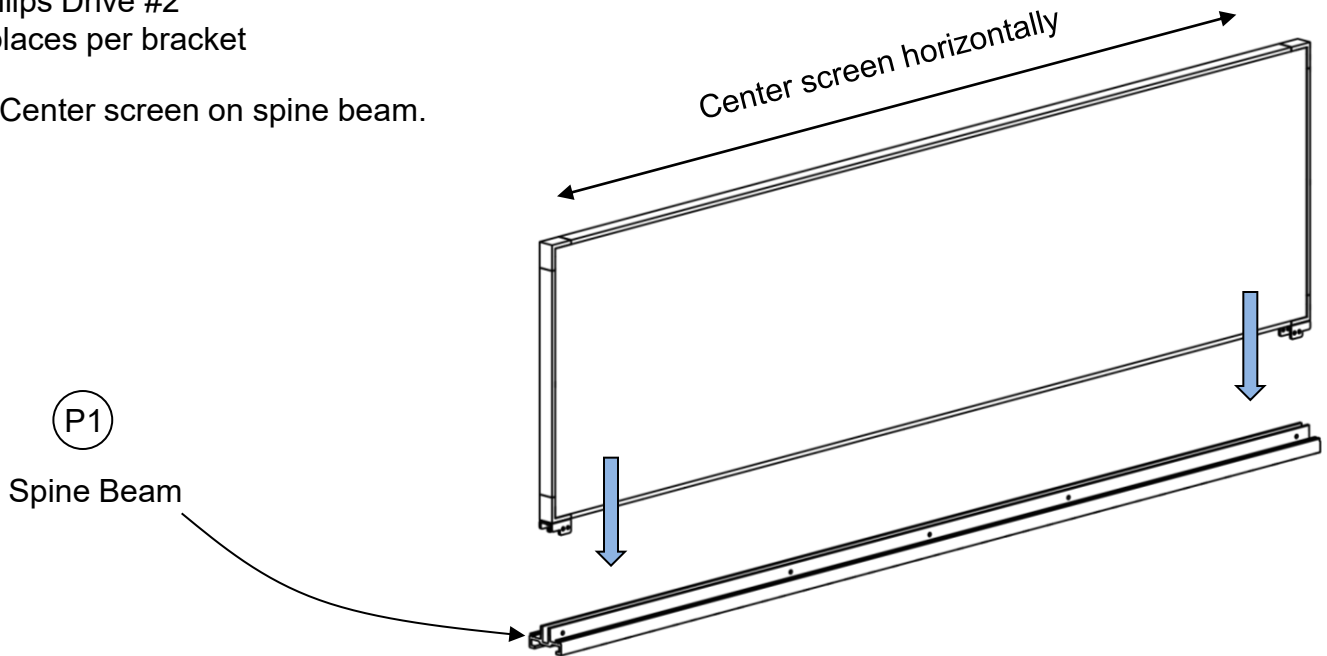
Slimline Screens – All Types

Universal Spine Beam (Aloft, Oxygen, D2D PowerBeam)

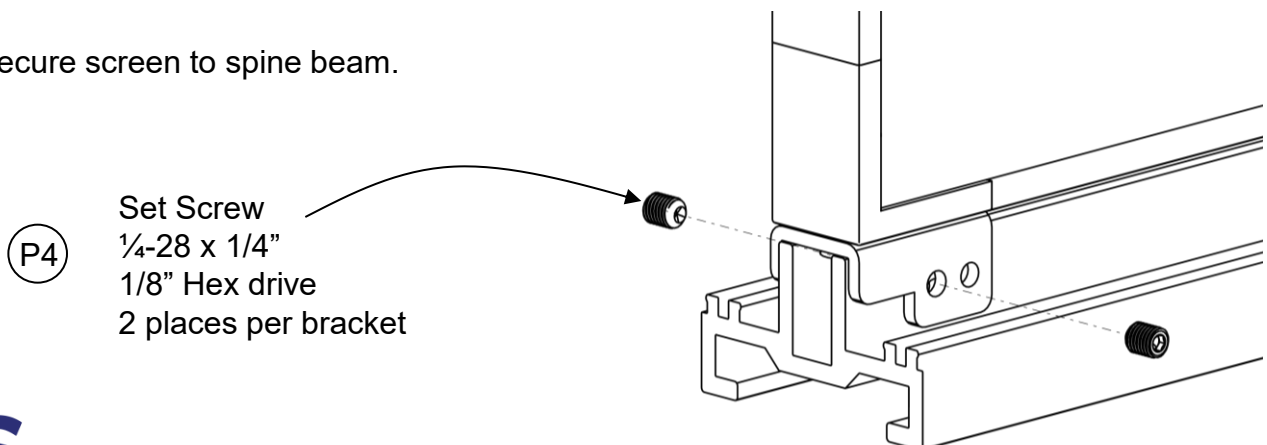
Step 1: Assemble spine mount brackets using #10-32 x 1/2" screws.



Step 2: Center screen on spine beam.

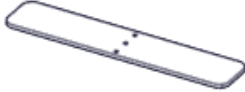



Step 3: Secure screen to spine beam.



Slimline Screens – All Types

Freestanding

Item	Replacement Part number	Circle Sheet Part Number	Description	Image
P1	RASFFK	RP-FPSL	Slimline Freestanding Foot	
P2	RP-MSZFP103258F	RP-MSZFP103258F	Flat Head Screw #10-32 x 5/8" long	
P3	RH-34ARD	RH-34ARD	Adhesive Rubber Dot	