

Standard Series Monitor Arms



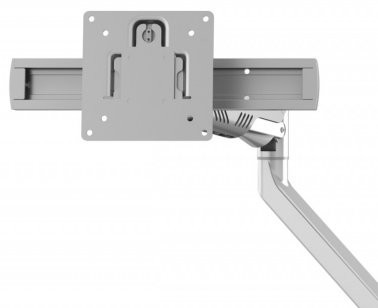
Standard Series Monitor Arms



Standard Series Monitor Arms offer a simple solution for everyday work. With options for single or dual monitors, shallow-depth applications, and optional sliders, they make repositioning easy and workspaces flexible.



Wire Management
Snap-in/removable cord clip



Optional Slider
(Not available on shallow-depth arm)

Single & Dual Arms

- Supports monitors 10"–28" (19 lbs per arm)
- 360° rotation at the mounting base and extension
- Tilt range of -45 degrees to +90 degrees. Arm height adjustment range of 300mm
- Lock-in-place monitor mount for simplified installation
- VESA compatible (75mm & 100mm)
- Mounting options include c-clamp, grommet or bolt through
- Optional Sliders lateral adjustment: 9"
- Optional Sliders for Dual Monitor Arm ship in a kit of 2
- Available in silver only

Dual Arm for Shallow-depth Surfaces

- Ideal use for surfaces under 24" deep
- Supports monitors up to 27" (14.3 lbs per monitor)
- 360° rotation at the mounting base and extension
- Snap-in/removable cord clip for wire management
- Monitors mount with M4 screws to a VESA bracket (75mm & 100mm)
- Mounting options include c-clamp or grommet
- Monitor can mount portrait or landscape
- Available in silver only

