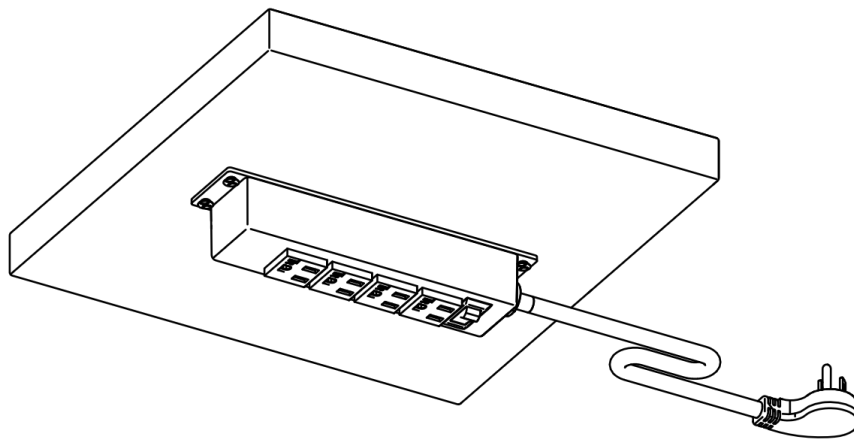
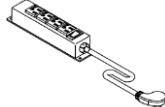



# Surface Mounted Power Strip Installation Instructions

Date	Page No.	Description of change	Name
4/22/2026	1-2	Released	S. Powers



Item	Replacement Part number	Circle Sheet Part Number	Description	Image
P1	A-SMPS	TVS4003-TR	Surface Mounted Power Strip	
P2	RH-QS0934-I	RH-QS0934-I	#9 x 3/4" Flat Head Screw	

# Surface Mounted Power Strip Installation Instructions

