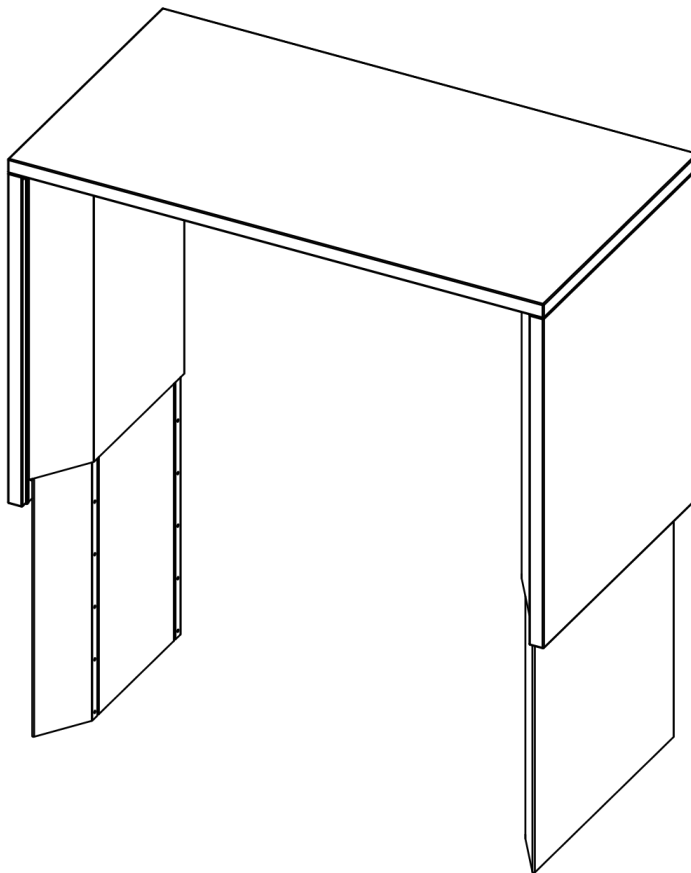
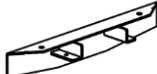
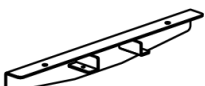
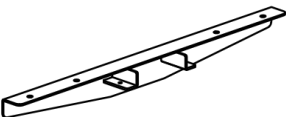


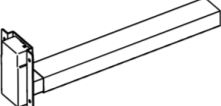

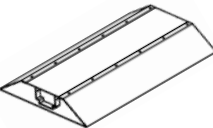
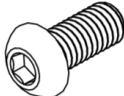



# Telescoping End Panels Installation Instructions

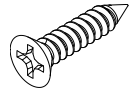




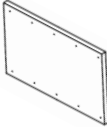
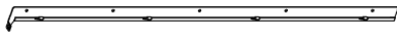
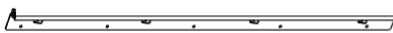

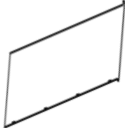
Date	Page No	Description of change	Name
07/01/2026	1-9	Released	S. Powers



# Telescoping End Panels Installation Instructions

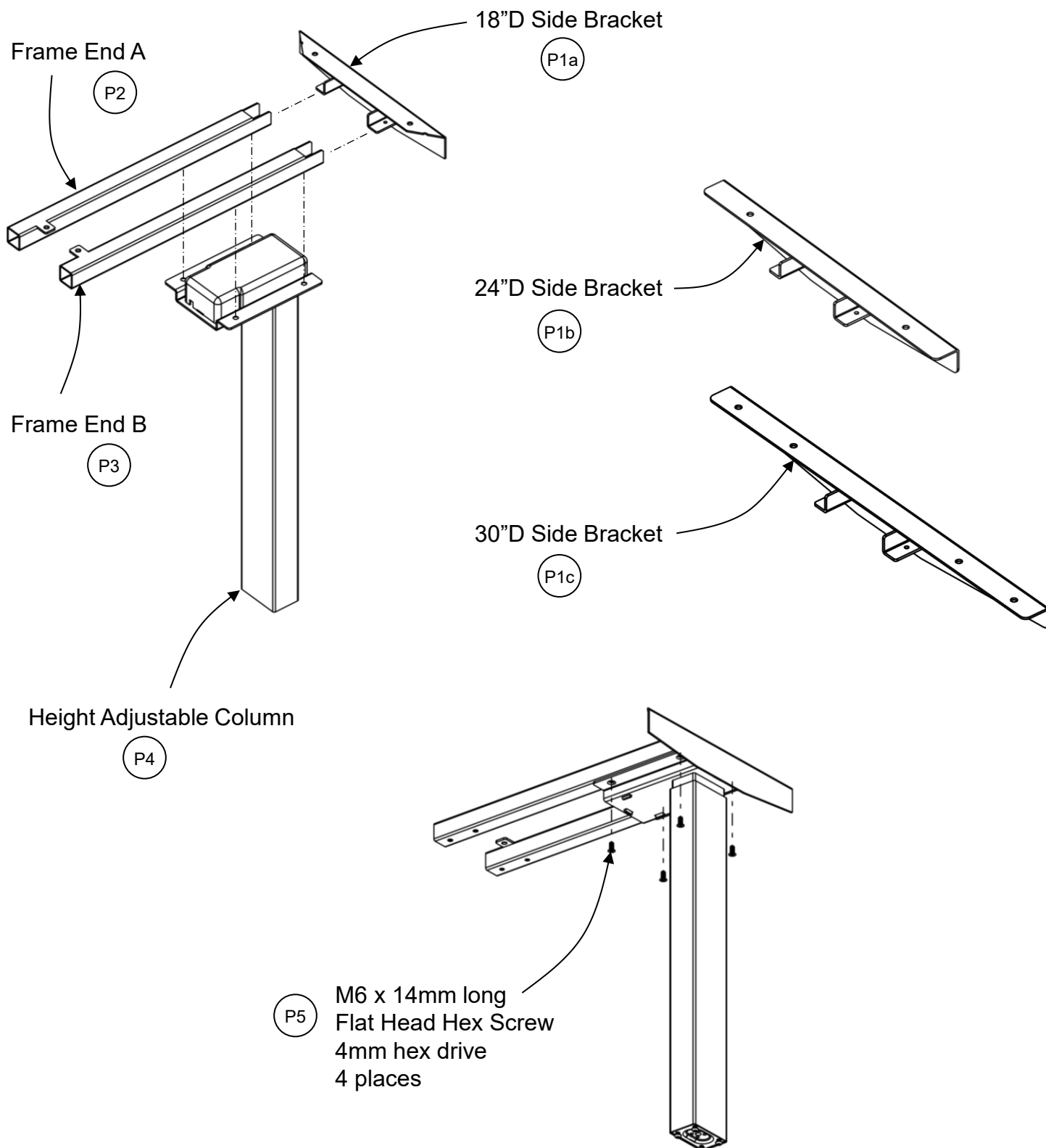
Item	Replacement Part number	Circle Sheet Part Number	Description	Image
P1a	?	RT-SB450-BK-MOD	18"D Side Bracket	
P1b	?	RT-SB450-BK	24"D Side Bracket	
P1c	?	RT-SB575-BK	30"D Side Bracket	
P2	RT-5FE106L-xx (xx = BK, WT or MS)	RT-5FE106L-xx (xx = BK, WT or MS)	Frame End A	
P3	RT-5FE106R-xx (xx = BK, WT or MS)	RT-5FE106R-xx (xx = BK, WT or MS)	Frame End B	
P4	?	RWFS-2L2SE-ECx (x = S, W or B)	Height Adjustable Column 50mm x 80mm	
P5	RH-91420A425	RH-91420A425	M6 x 14mm Flat Head Screw	
P6	?	RT-LEPWA18	18D Telescoping Base	
		RT-LEPWA24	24D Telescoping Base	
		RT-LEPWA30	30D Telescoping Base	
P7	RH-94500A315	RH-94500A315	M6 x 14mm Button Head Cap Screw	
P8	?	RP-VSGLD2-A	Glides	

# Telescoping End Panels Installation Instructions

Item	Replacement Part number	Circle Sheet Part Number	Description	Image
P9	RH-QS0978	RH-QS0978	#9 x 7/8" Flat Head Screw #2 Phillips Drive	
P10a	?	RT-LEPLC18	18"D Telescoping Cover	
P10b	?	RT-LEPLC18	24"D Telescoping Cover	
P10c	?	RT-LEPLC18	30"D Telescoping Cover	
P11	RH-87555K125	RH-87555K125	Adhesive Backed Felt Strip	
P12	?	RT-LEPLLC18	18D Laminate End Panel	
	?	RT-LEPLLC24	24D Laminate End Panel	
	?	RT-LEPLLC30	30D Laminate End Panel	
P13	?	RT-SHBFLP-L	Laminate Mounting Bracket Left	
P14	?	RT-SHBFLP-R	Laminate Mounting Bracket Right	
P15	RS-HSFDU812-A	RS-HSFDU812-A	#8 x 1/2" Pan Head Screw	
P16	?	RT-LEPMC18	Metal End Panel	

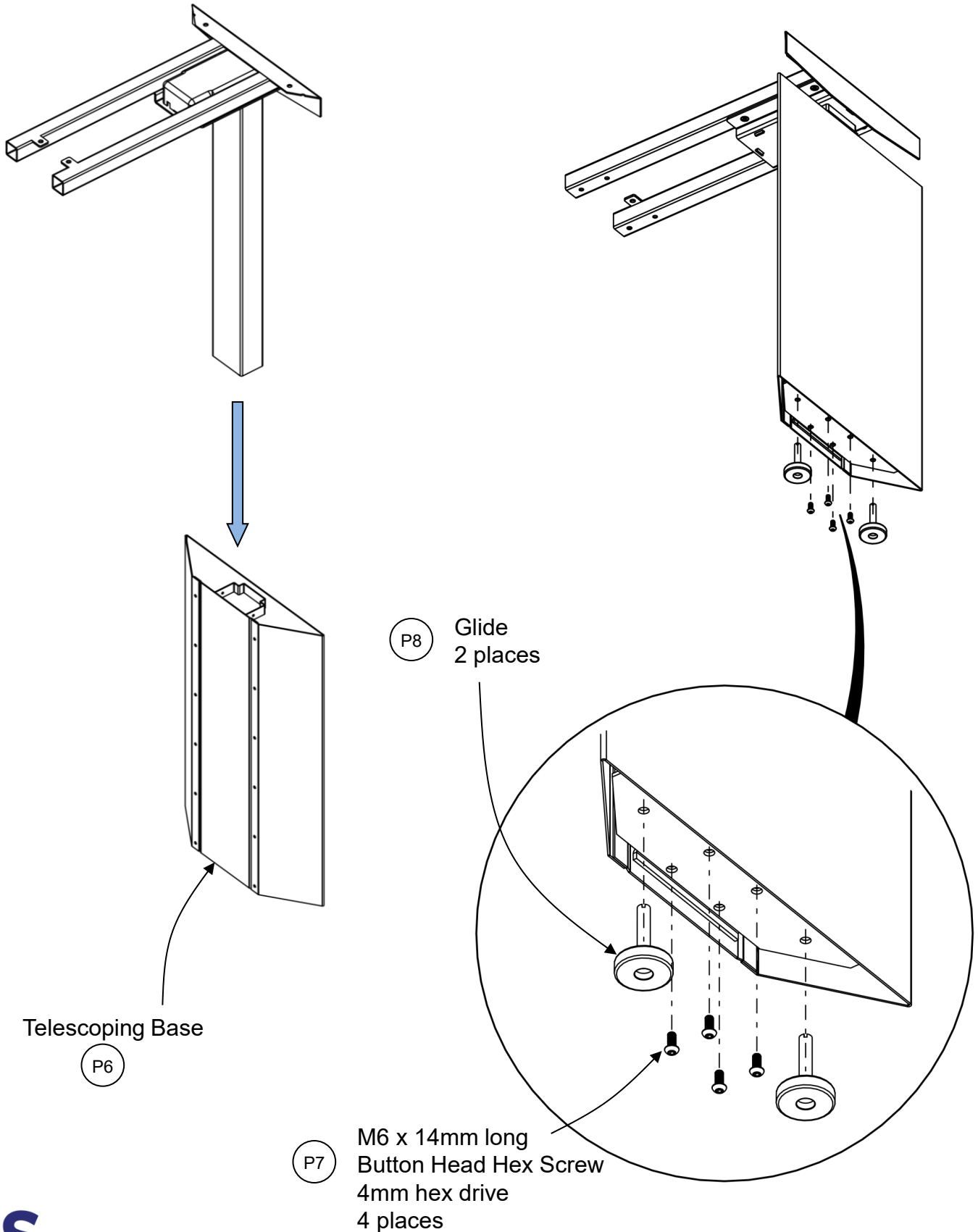
# Telescoping End Panels Installation Instructions

**Step 1:** Install side brackets and frame ends to the height adjustable leg using M6 x 14mm flat head screws. Note: If installing an 18"D telescoping end panel, remove and discard existing side brackets.



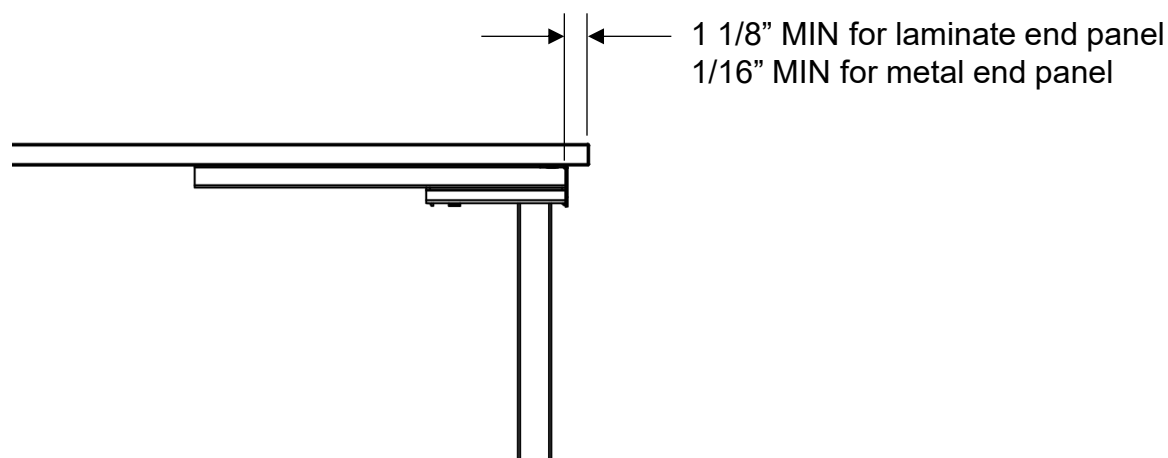
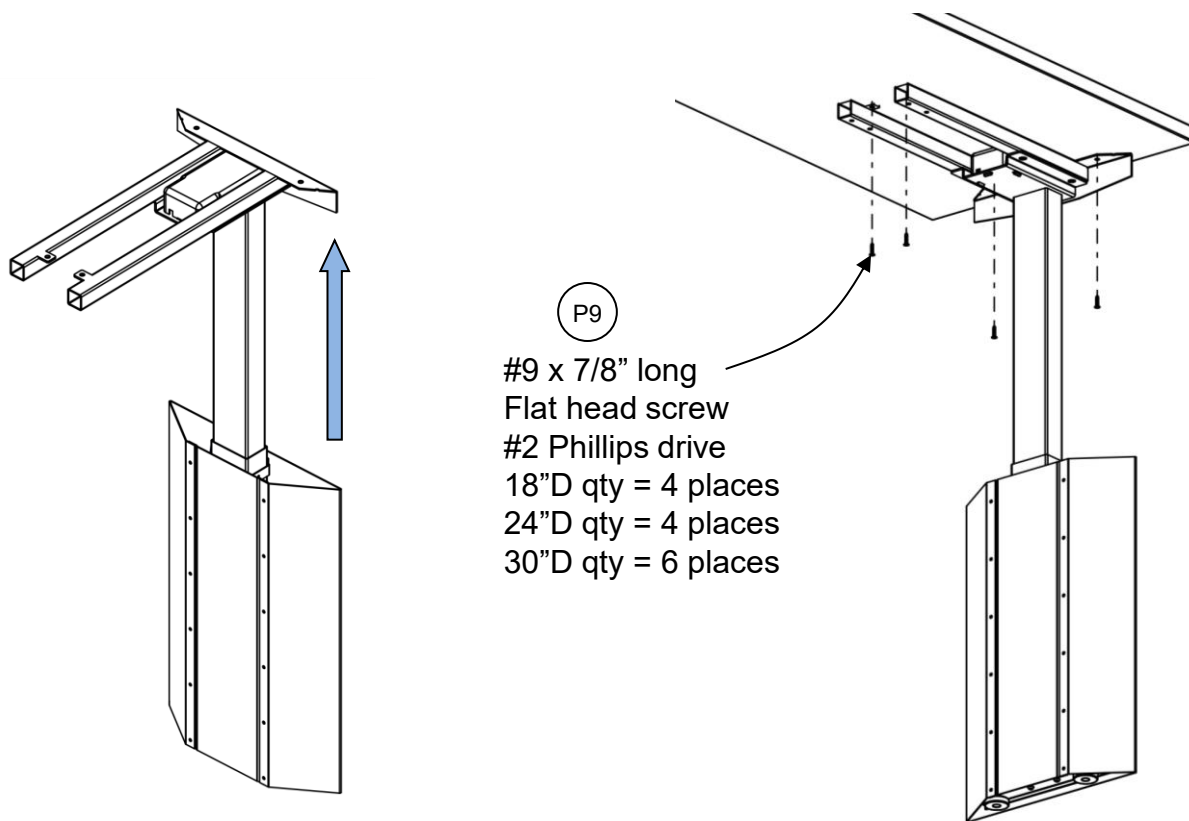
# Telescoping End Panels Installation Instructions

**Step 2:** Install column assembly into telescoping base end secure using M6 x 14mm button head screws. Then, install (2) glides.



# Telescoping End Panels Installation Instructions

**Step 3:** For ease of assembly, connect the electronics kit and raise column assembly. Then, install to worksurface using #9 x 7/8" flat head screws

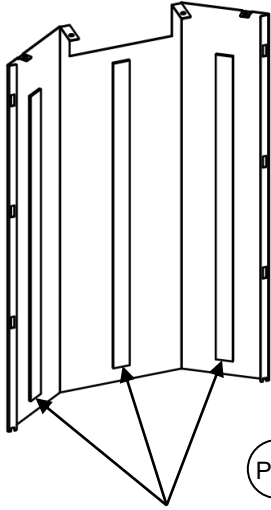


# Telescoping End Panels Installation Instructions

**Step 4:** Install adhesive backed felt strips to the inside surfaces of the telescoping cover. Locate approximately as shown.

P10a

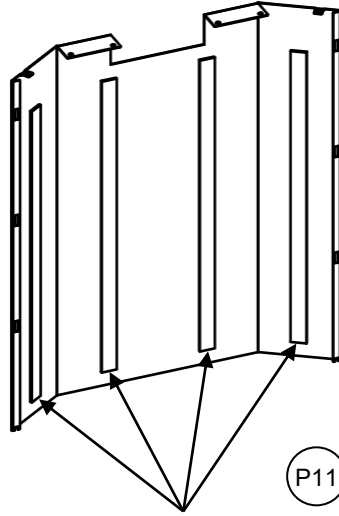
18"D Telescoping Cover



Adhesive Backed Felt Strip  
3 places

P10b

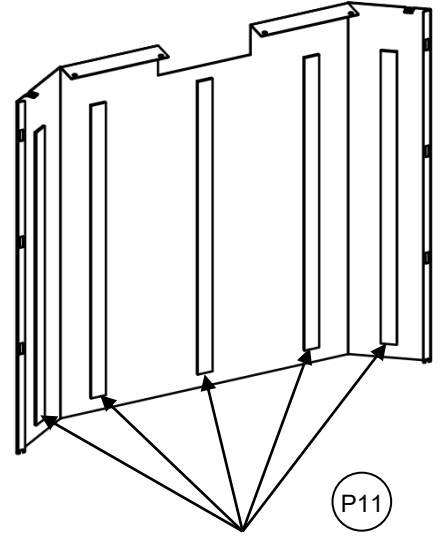
24"D Telescoping Cover



Adhesive Backed Felt Strip  
4 places

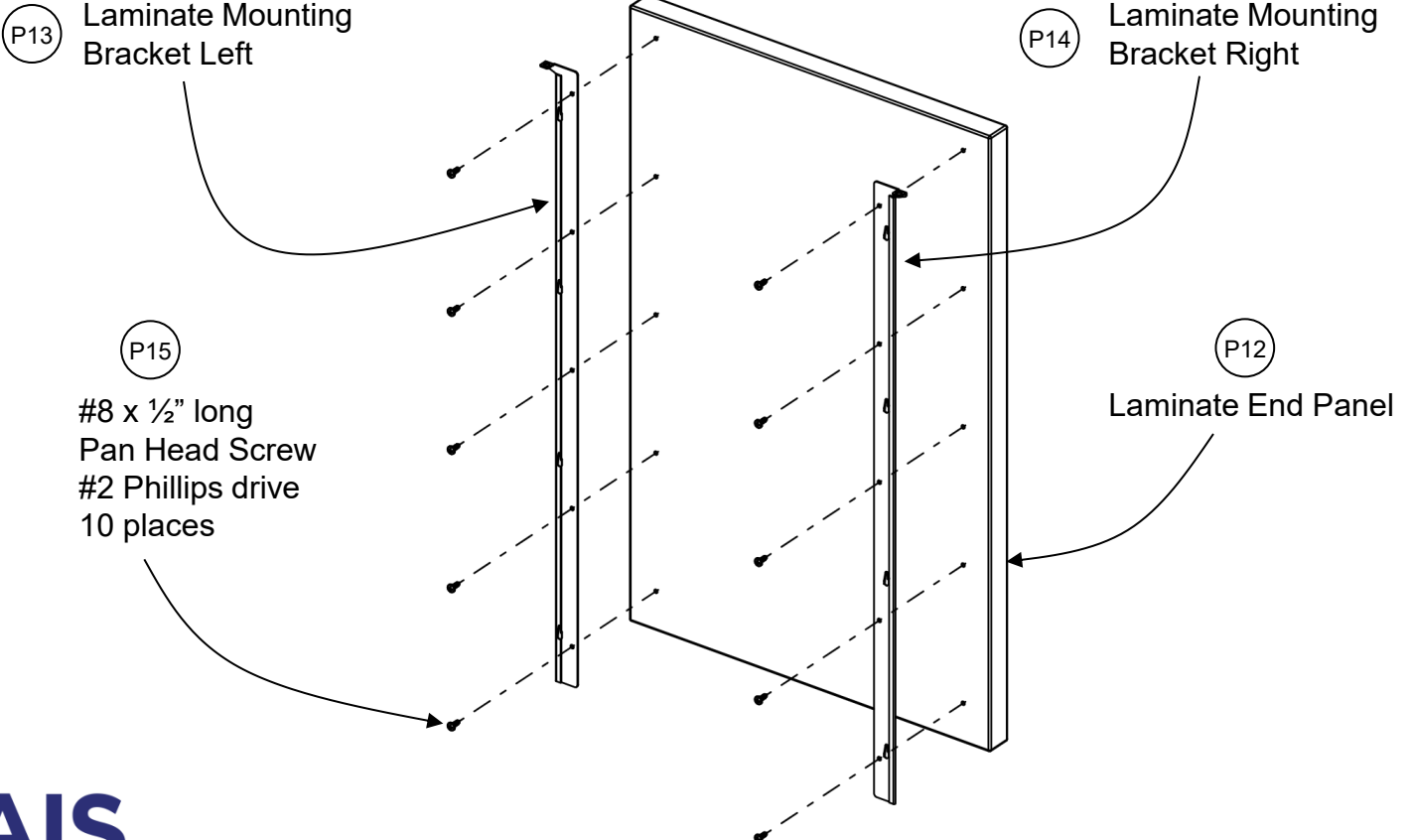
P10c

30"D Telescoping Cover



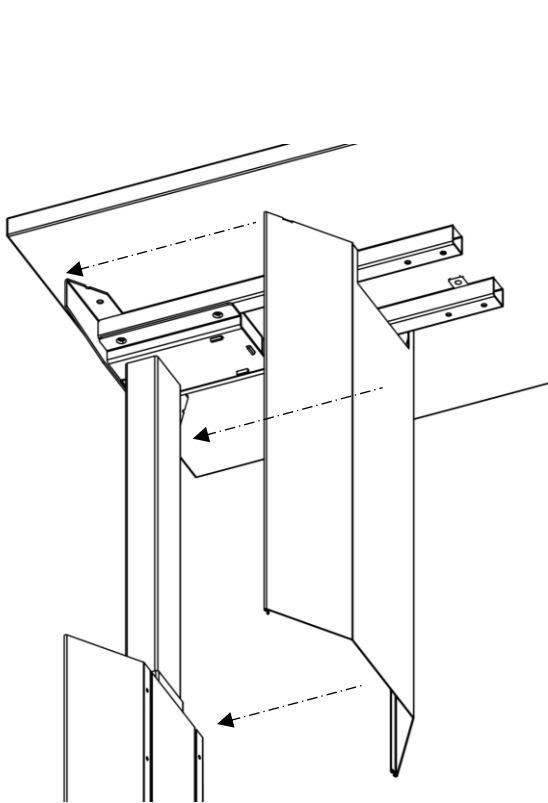
Adhesive Backed Felt Strip  
5 places

**Step 5:** Install left and right laminate mounting brackets using #8 x 1/2" pan head screws

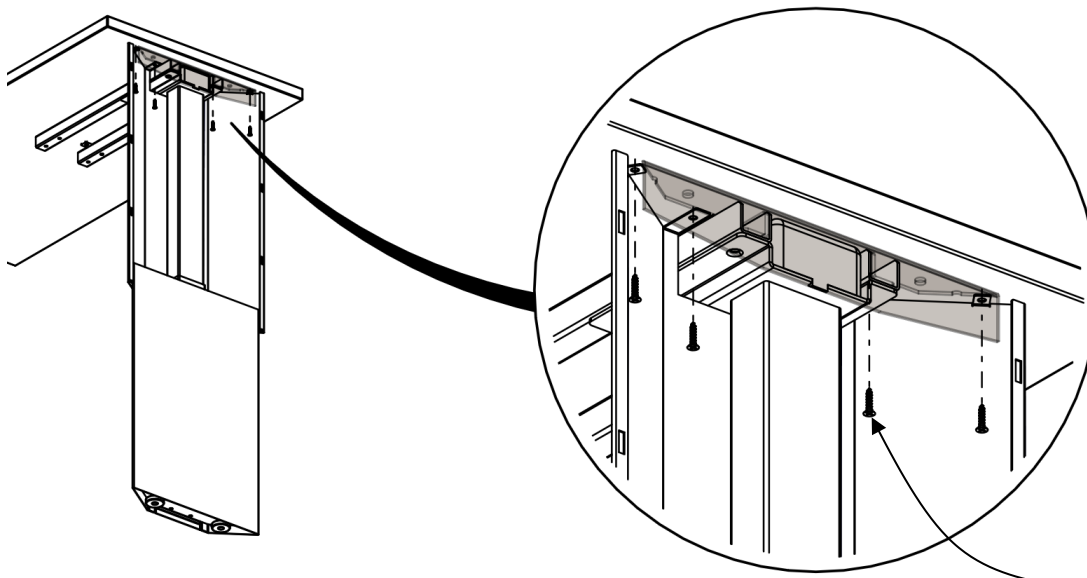
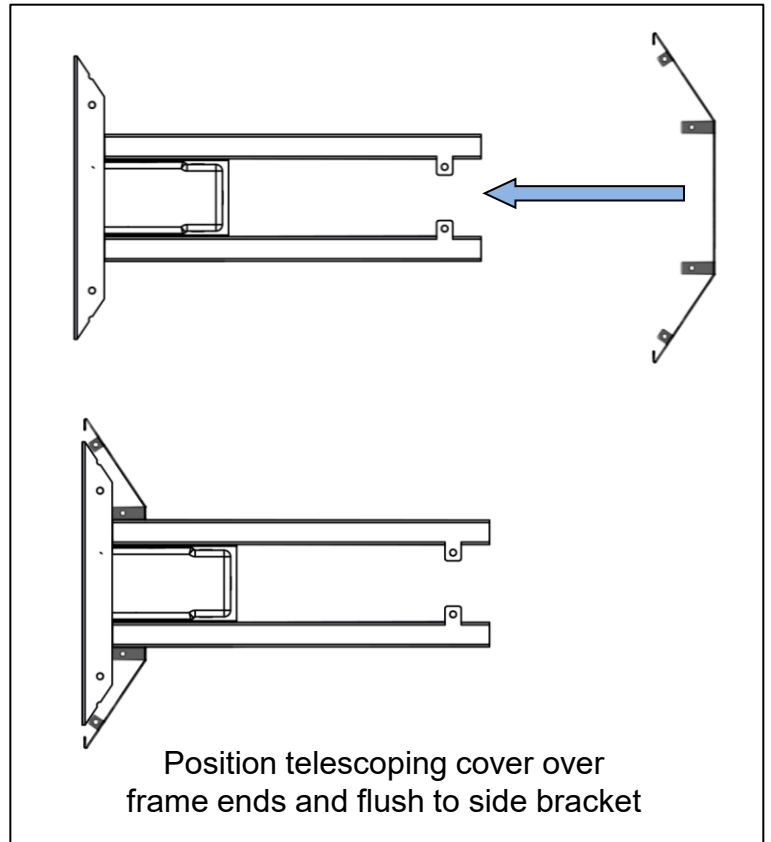


# Telescoping End Panels Installation Instructions

**Step 6:** Install telescoping cover to worksurface using #9 x 7/8" screws



Top View



- P9
- #9 x 7/8" long Flat head screw
  - #2 Phillips drive
  - 18"D qty = 4 places
  - 24"D qty = 6 places
  - 30"D qty = 6 places

# Telescoping End Panels Installation Instructions

**Step 7:** Install telescoping end panel to worksurface using #9 x 7/8" screws

